



US00D964434S

(12) **United States Design Patent** (10) **Patent No.:** **US D964,434 S**
Rizzi (45) **Date of Patent:** **** Sep. 20, 2022**

(54) **PORTABLE REFRIGERATOR**

D311,476 S 10/1990 Kumakura
D326,800 S 6/1992 Flum
D326,801 S 6/1992 Flum

(71) Applicant: **Electrolux Home Products, Inc.**,
Charlotte, NC (US)

(Continued)

(72) Inventor: **Saba Rizzi**, Charlotte, NC (US)

FOREIGN PATENT DOCUMENTS

(73) Assignee: **Electrolux Home Products, Inc.**,
Charlotte, NC (US)

CA 55248 S 11/1985
CA 55269 11/1985

(Continued)

(**) Term: **15 Years**

OTHER PUBLICATIONS

(21) Appl. No.: **29/756,767**

(22) Filed: **Oct. 30, 2020**

“Iceless 36 Quart (34 L) 12v Thermoelectric Travel Cooler or Warmer”; Koolatron; retrieved Oct. 22, 2020; published date unknown, prior to Oct. 22, 2020; URL: <<https://www.koolatron.com/US/en/koolatron-p75-kool-kaddy>>.

(51) **LOC (13) Cl.** **15-07**

(52) **U.S. Cl.**
USPC **D15/83**

(Continued)

(58) **Field of Classification Search**
USPC D15/79, 80, 81, 82, 83, 84, 85, 86, 87,
D15/88, 89, 90, 91; D7/603, 605, 606,
D7/607, 608

Primary Examiner — Mojtaba Tehrani
(74) *Attorney, Agent, or Firm* — Banner & Witcoff, Ltd.

See application file for complete search history.

(57) **CLAIM**

(56) **References Cited**

The ornamental design for a portable refrigerator, as shown and described.

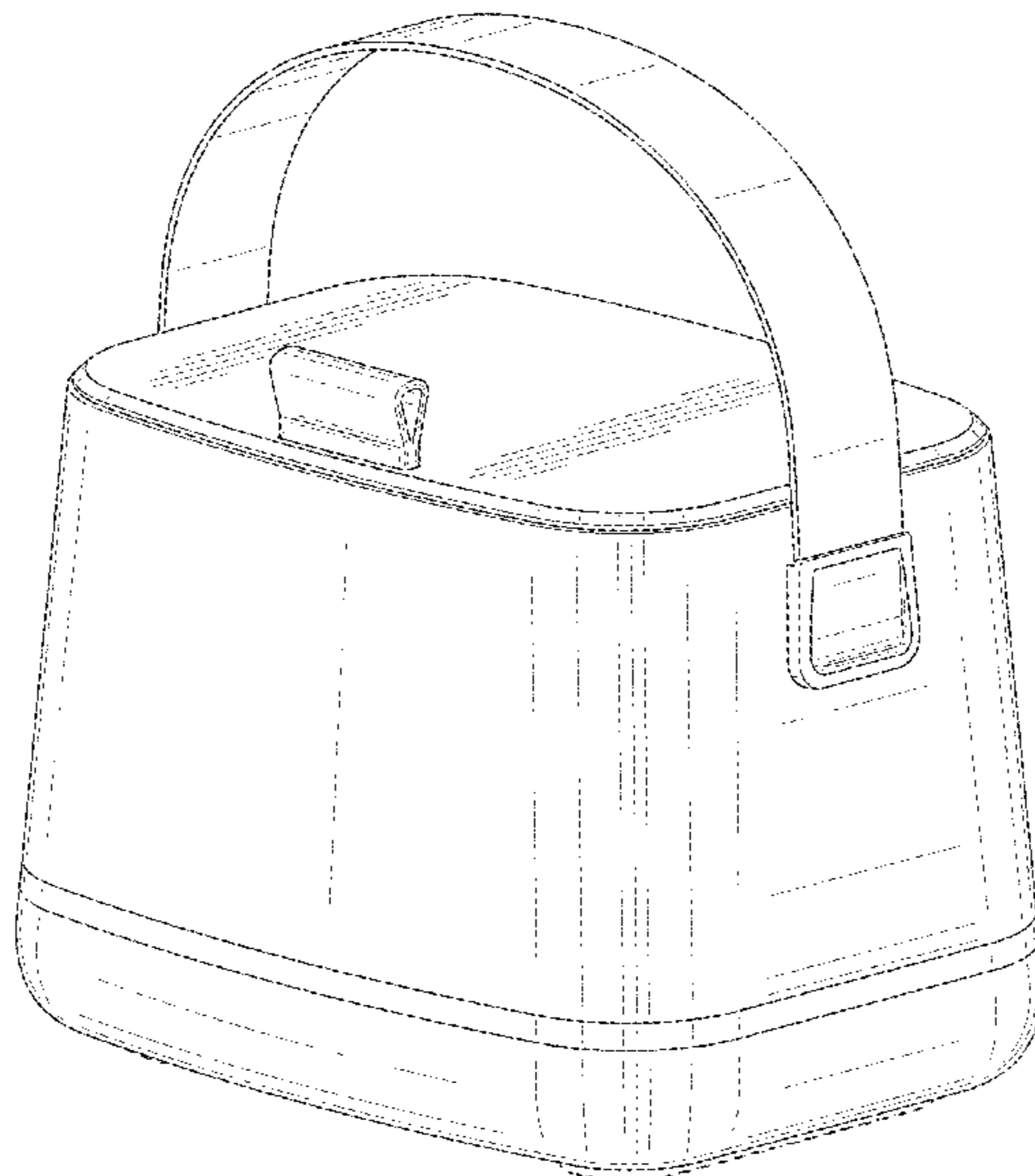
U.S. PATENT DOCUMENTS

- D246,686 S * 12/1977 Boldt D7/354
- D261,088 S * 10/1981 Akimov D9/532
- D266,822 S 11/1982 Seager
- D267,444 S 1/1983 Ruxton
- D270,604 S 9/1983 Zauft
- D272,705 S 2/1984 Gottsegen et al.
- D281,694 S 12/1985 Ryan, Jr.
- D281,695 S 12/1985 Ryan, Jr.
- D289,597 S 5/1987 Averitt
- D291,858 S 9/1987 Baker et al.
- D292,711 S 11/1987 Shapiro et al.
- D294,445 S * 3/1988 Jorgensen D7/603
- D296,065 S 6/1988 Farozzi et al.
- D300,796 S 4/1989 Waggerman
- D304,114 S 10/1989 David
- D309,406 S 7/1990 Ridings
- D309,900 S 8/1990 Illsley

DESCRIPTION

FIG. 1 is a front perspective view of a portable refrigerator showing my new design;
FIG. 2 is a front view thereof;
FIG. 3 is a rear view thereof;
FIG. 4 is a right side view thereof;
FIG. 5 is a left side view thereof;
FIG. 6 is a top view thereof; and,
FIG. 7 is a bottom view thereof.
The broken lines depicting the bottom surface of the portable refrigerator form no part of the claimed design.

1 Claim, 7 Drawing Sheets



(56)

References Cited

U.S. PATENT DOCUMENTS

D327,203 S 6/1992 Kahl
 D337,232 S * 7/1993 Kahl D7/605
 D340,167 S 10/1993 Kahl
 D345,839 S 4/1994 Senese
 D347,362 S 5/1994 Redmon
 D349,007 S 7/1994 Costello
 D349,629 S 8/1994 Redmon
 D349,630 S 8/1994 Redmon
 D350,459 S 9/1994 Blackwell et al.
 D351,318 S 10/1994 Wedi
 D351,824 S 10/1994 Bednar
 D352,420 S 11/1994 Costello
 D358,966 S * 6/1995 Ochs D7/606
 D369,525 S 5/1996 Winters
 D370,158 S 5/1996 Martin et al.
 D371,942 S 7/1996 Lippincott et al.
 D400,053 S 10/1998 Coffee et al.
 D423,881 S 5/2000 Pratt
 D425,761 S 5/2000 Philipson et al.
 D432,367 S * 10/2000 Segura D7/709
 D442,833 S * 5/2001 Shuman D7/608
 D467,129 S * 12/2002 Martin Perianes D7/605
 D530,141 S * 10/2006 Wilgus D7/313
 D597,381 S 8/2009 Ledoux
 D603,664 S 11/2009 Roefs et al.
 D608,156 S * 1/2010 Bodum D7/603
 D671,372 S * 11/2012 Zou D7/608
 D709,335 S * 7/2014 Stamatopoulos D9/503
 D734,643 S 7/2015 Boroski
 D793,457 S * 8/2017 Kim D15/79
 D807,929 S * 1/2018 Feng D15/81
 D817,722 S * 5/2018 Bradley D7/607
 D821,154 S 6/2018 Lane et al.
 D829,244 S * 9/2018 Sullivan D15/79
 D837,611 S 1/2019 Lane et al.
 D862,528 S * 10/2019 Sullivan D15/79
 D877,210 S * 3/2020 Letcher D15/80
 D880,254 S * 4/2020 Jacobsen D7/607
 D901,985 S * 11/2020 Jackson D7/603

D915,769 S * 4/2021 Wang D3/315
 D919,678 S * 5/2021 Yang D15/81
 D924,945 S * 7/2021 Sullivan D15/79
 D937,909 S * 12/2021 Pan D15/80
 2021/0372639 A1 * 12/2021 Dekeyser F24F 5/0042

FOREIGN PATENT DOCUMENTS

CA	60997 A	6/1988
CA	65990	5/1990
CA	66348	6/1990
CA	71371	8/1992
CA	73627	12/1993
CA	89737 A	6/2000
CN	305126408	4/2019
GB	1041392 A	10/1986
KR	300990252.0000	1/2019
KR	300990253.0000	1/2019
KR	3009902440000	1/2019
RU	00044518	7/1998
RU	00045975	8/1999

OTHER PUBLICATIONS

“12 Can / 2.3 Gallon 12V Cooler/Warmer”; Black+Decker; retrieved Oct. 22, 2020; published date unknown, prior to Oct. 2020; URL: <<https://www.blackanddecker12volt.com/tc212b>>.
 “24 Liter Personal Fridge/Warmer”; Wagan; retrieved Oct. 22, 2020; published date unknown, prior to Oct. 22, 2020; URL: <<https://wagan.com/products/24-liter-personal-fridge-warmer>>.
 “Lifestyle by Focus Electric Travel Cooler and Warmer”; Amazon; retrieved Oct. 22, 2020; published date unknown, prior to Oct. 22, 2020; URL: <<https://www.amazon.com/Lifestyle-Focus-Electric-Travel-Cooler/dp/B08DPWTC1M>>.
 “Igloo Portable 28 Quart Thermoelectric Iceless Cooler”; Amazon; retrieved Oct. 22, 2020; published date unknown, prior to Oct. 22, 2020; URL: <<https://www.amazon.com/Igloo-Portable-Thermoelectric-Iceless-Cooler/dp/B00BTS6480/>>.

* cited by examiner

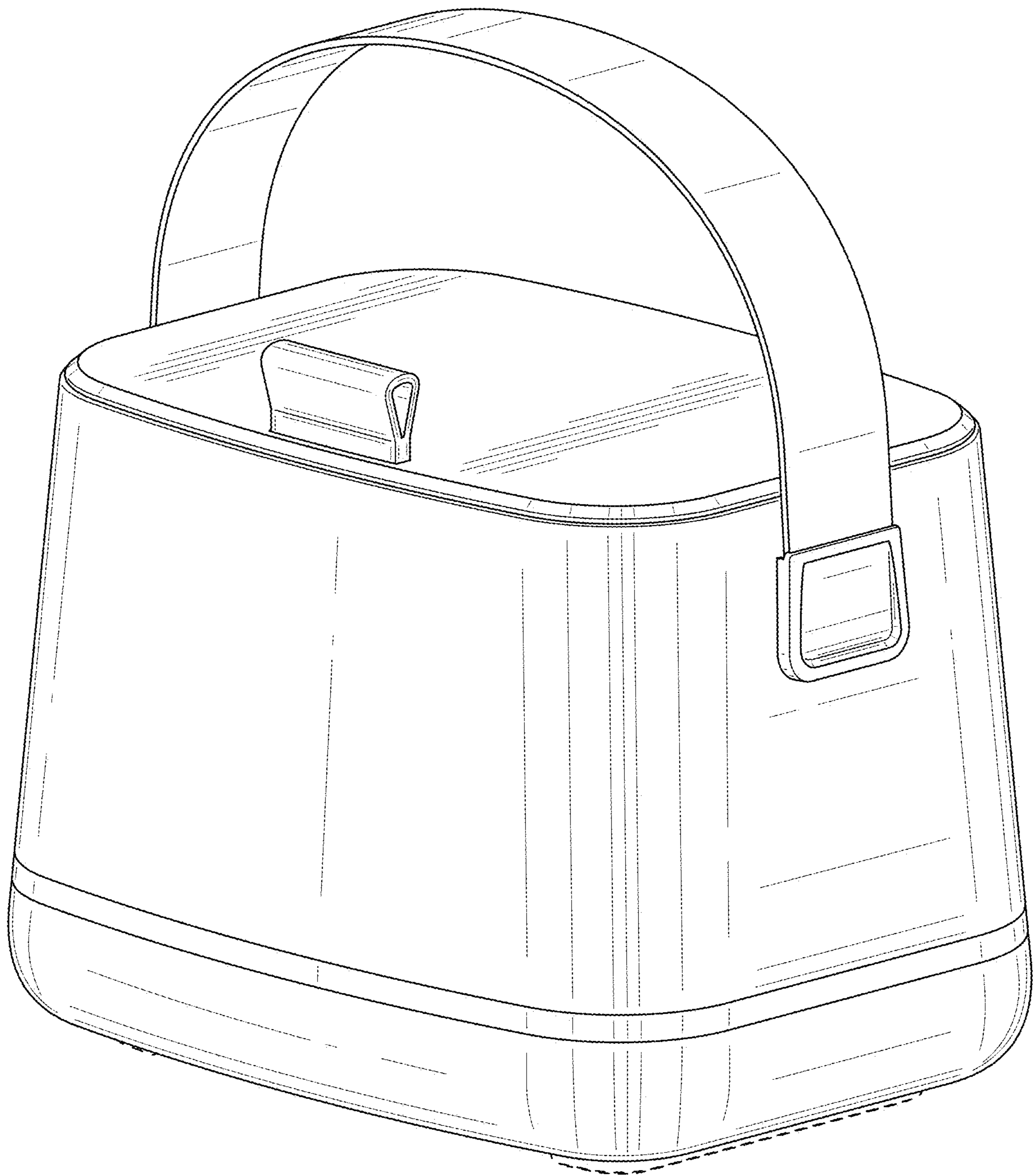


FIG. 1

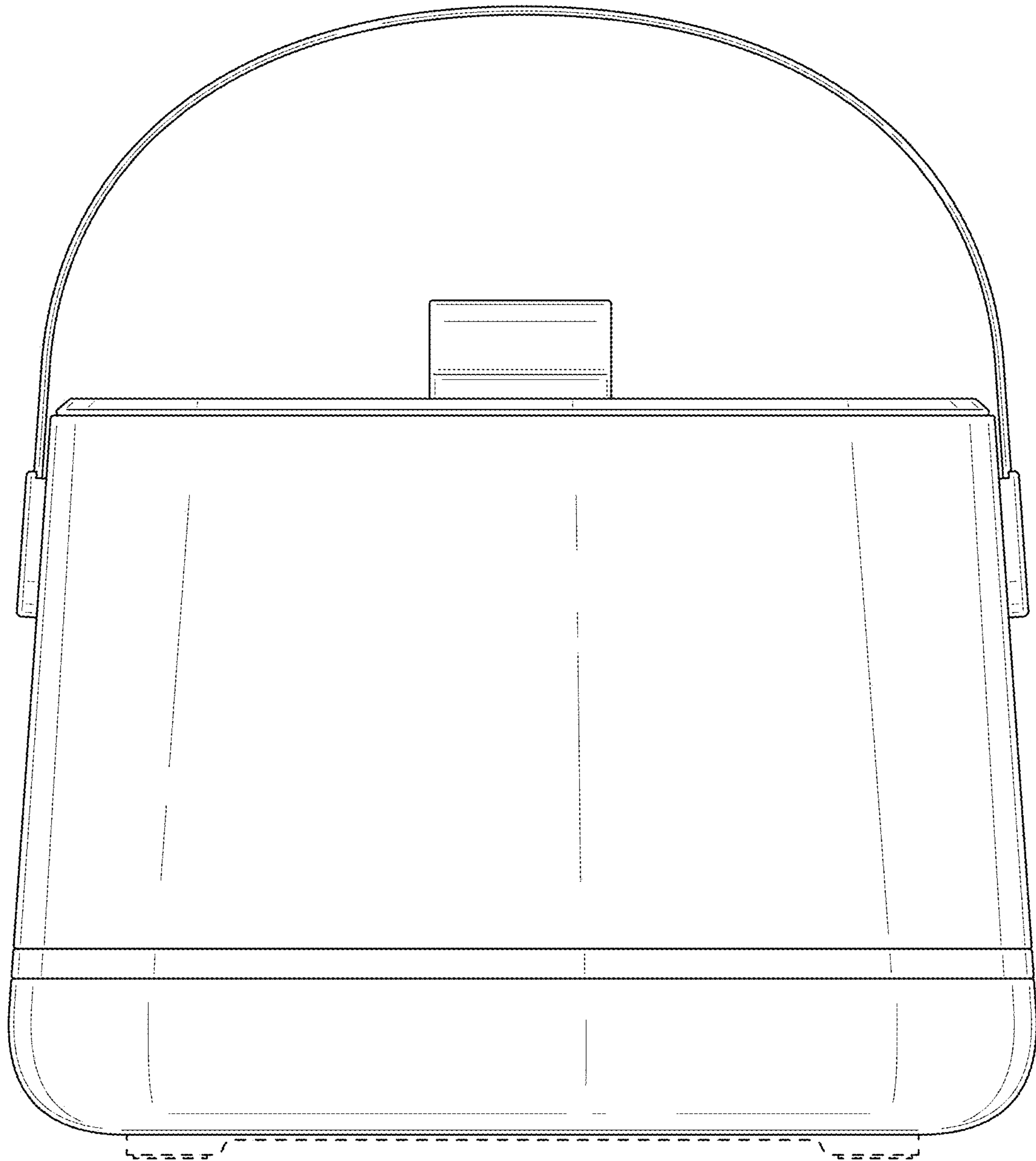


FIG. 2

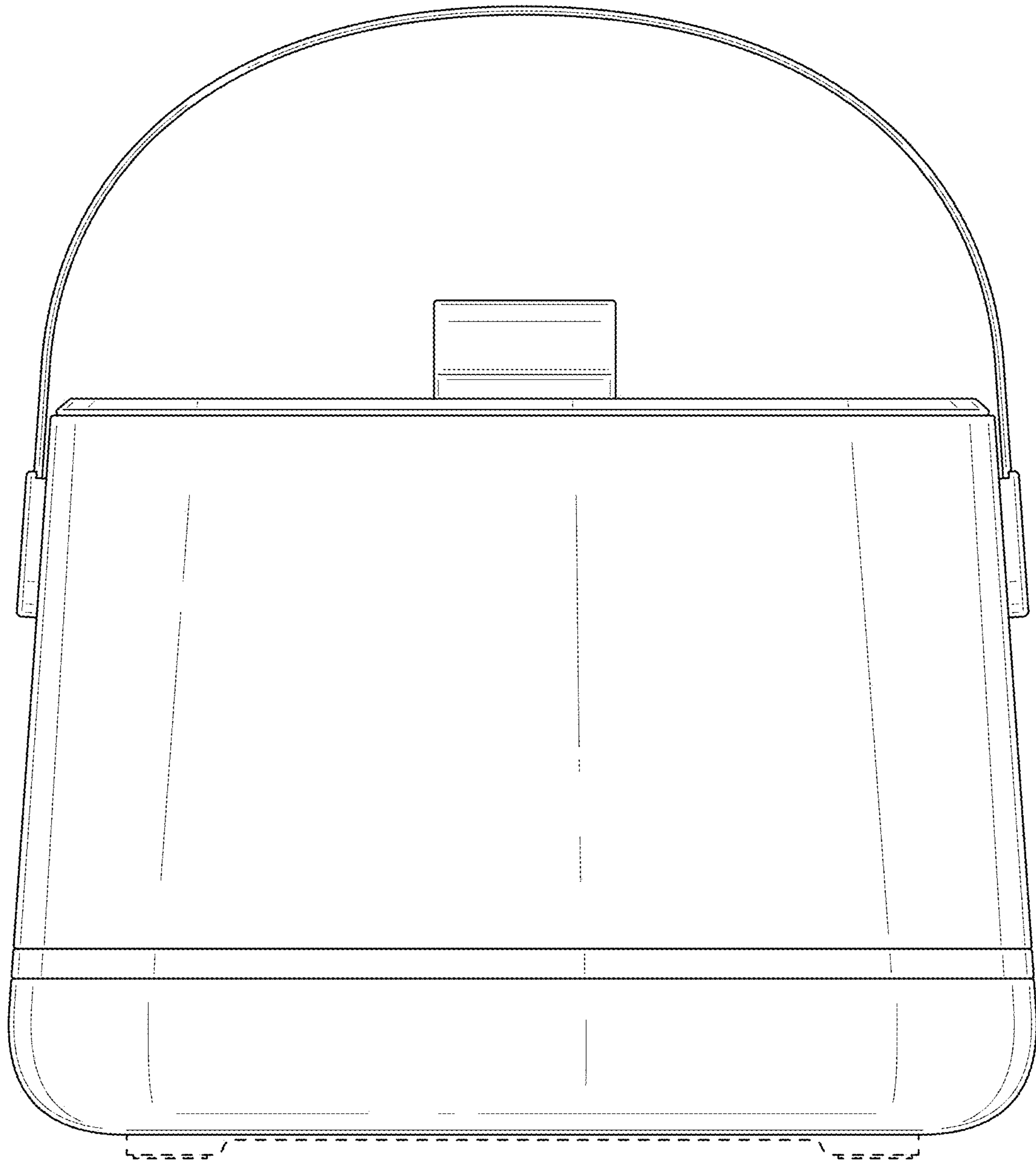


FIG. 3

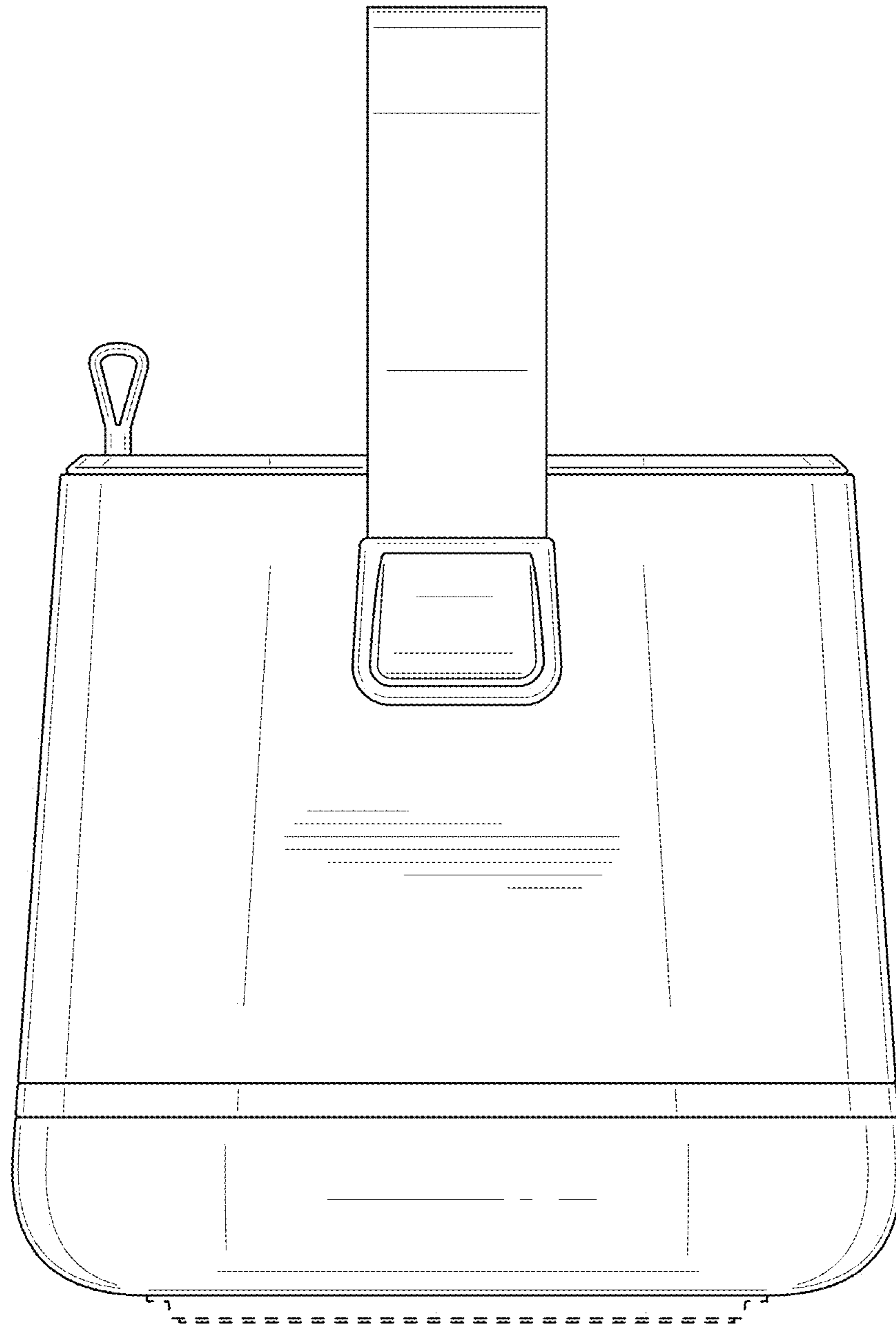


FIG. 4

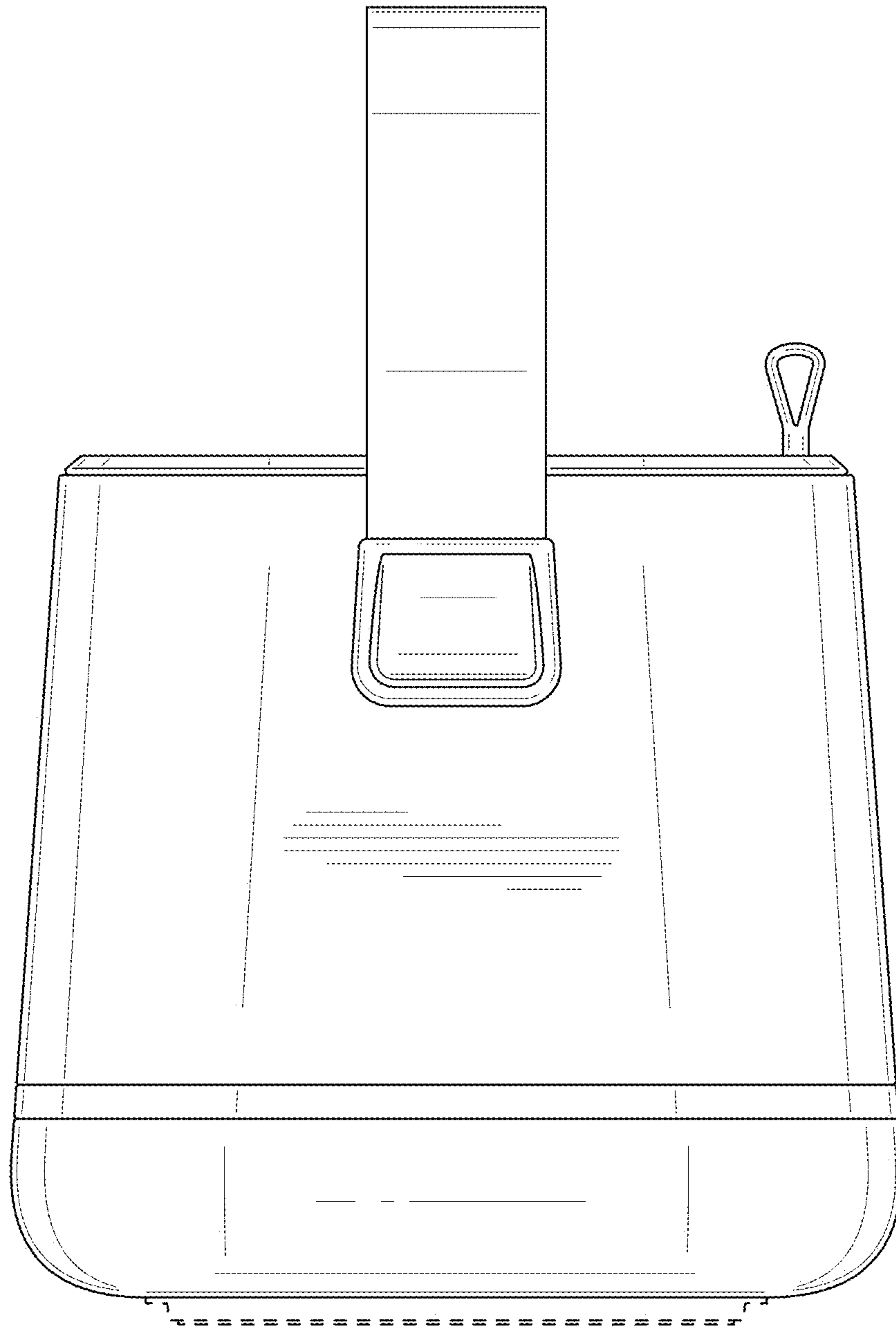


FIG. 5

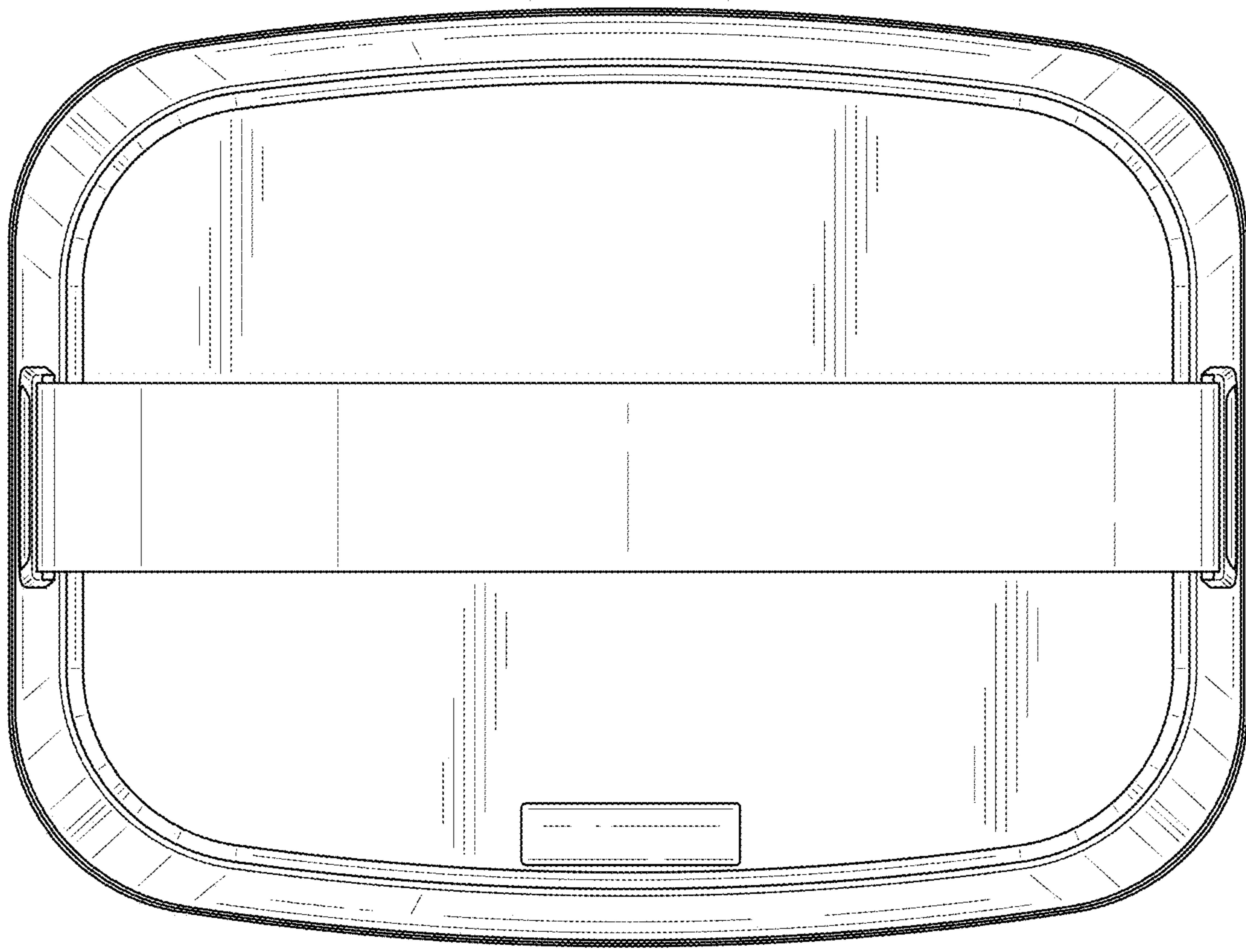


FIG. 6

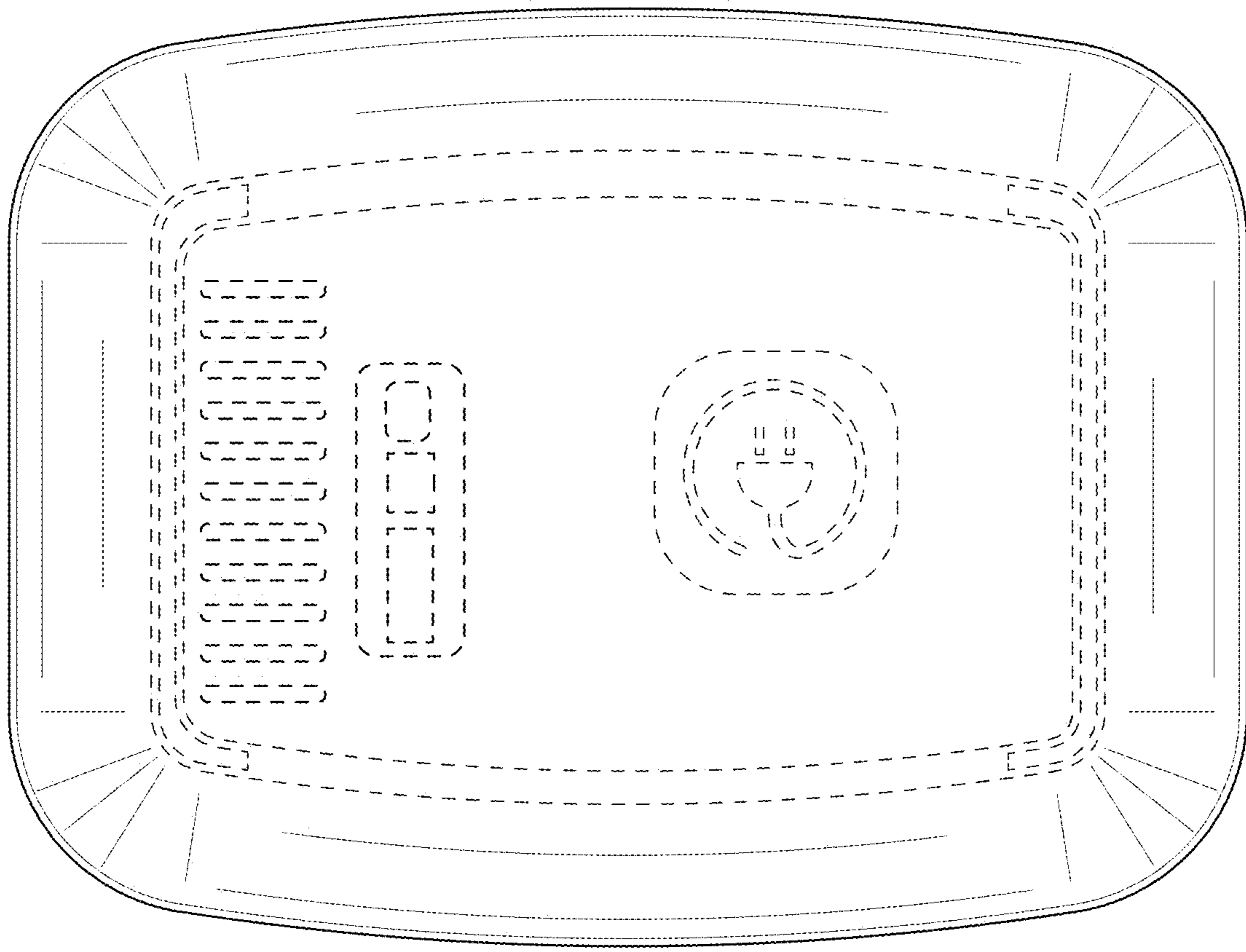


FIG. 7