



US00D964433S

(12) **United States Design Patent** (10) **Patent No.:** **US D964,433 S**  
**Lin** (45) **Date of Patent:** **\*\* Sep. 20, 2022**

(54) **REFRIGERATOR**

(71) Applicant: **Jinlong Lin**, Shenzhen (CN)  
(72) Inventor: **Jinlong Lin**, Shenzhen (CN)  
(73) Assignee: **Shenzhen Yuanrui Information Technology Co., Ltd**, Shenzhen (CN)

(\*\*) Term: **15 Years**

(21) Appl. No.: **29/768,376**

(22) Filed: **Jan. 29, 2021**

(51) **LOC (13) Cl.** ..... **15-07**

(52) **U.S. Cl.**  
USPC ..... **D15/81; D15/79; 62/3.62**

(58) **Field of Classification Search**  
USPC ..... **D15/79, 81; 62/3.62**  
CPC .... **F25D 2400/00; F25D 2400/12; F25D 3/08;**  
**F25D 2331/8012; F25D 11/00; F25D**  
**11/003**

See application file for complete search history.

(56) **References Cited**

**U.S. PATENT DOCUMENTS**

D886,163	S	*	6/2020	Yao	.....	D15/81
D896,856	S	*	9/2020	Zhou	.....	D15/81
D898,083	S	*	10/2020	Yao	.....	D15/79
D919,678	S	*	5/2021	Yang	.....	D15/81
D924,946	S	*	7/2021	Xu	.....	D15/81
D927,562	S	*	8/2021	Kong	.....	D15/81
D940,209	S	*	1/2022	Kong	.....	D15/81
D946,636	S	*	3/2022	Xu	.....	D15/81
D947,905	S	*	4/2022	Xu	.....	D15/81
D952,006	S	*	5/2022	Li	.....	D15/81
D952,699	S	*	5/2022	Li	.....	D15/79
D956,829	S	*	7/2022	Li	.....	D15/79

**OTHER PUBLICATIONS**

Pink Mini Fridge for Skin Care Accessories, available in Amazon.com, date first available Nov. 4, 2020 [online], [Jul. 7, 2022], Available from the internet URL: [https://www.amazon.com/Cooluli-Beauty-12L-Makeup-Fridge/dp/B08ML8G6SQ?ref\\_=ast\\_sto\\_dp&th=1](https://www.amazon.com/Cooluli-Beauty-12L-Makeup-Fridge/dp/B08ML8G6SQ?ref_=ast_sto_dp&th=1) (Year: 2020).\*

White Mini Fridge for Bedroom, available in Amazon.com, date first available Sep. 23, 2019 [online], [Jul. 7, 2022], Available from the internet URL: [https://www.amazon.com/Cooluli-Infinity-White-Liter-Fridge/dp/B07Y8TXQHD/ref=sr\\_1\\_1\\_sspa?crd=2PL7LMYDG1KS5&keywords=cooluli+10l+mini+fridge+for](https://www.amazon.com/Cooluli-Infinity-White-Liter-Fridge/dp/B07Y8TXQHD/ref=sr_1_1_sspa?crd=2PL7LMYDG1KS5&keywords=cooluli+10l+mini+fridge+for) (Year: 2019).\*

\* cited by examiner

*Primary Examiner* — Calvin E Vansant  
*Assistant Examiner* — Eidiol Ghigliotty Torres

(57) **CLAIM**

The ornamental design for a refrigerator, as shown and described.

**DESCRIPTION**

FIG. 1 is a front, top perspective view of a refrigerator showing my new design;

FIG. 2 is a rear, bottom perspective view thereof;

FIG. 3 is a front, left-side perspective view thereof;

FIG. 4 is a rear, right-side perspective view thereof;

FIG. 5 is a front elevation view thereof;

FIG. 6 is a rear elevation view thereof;

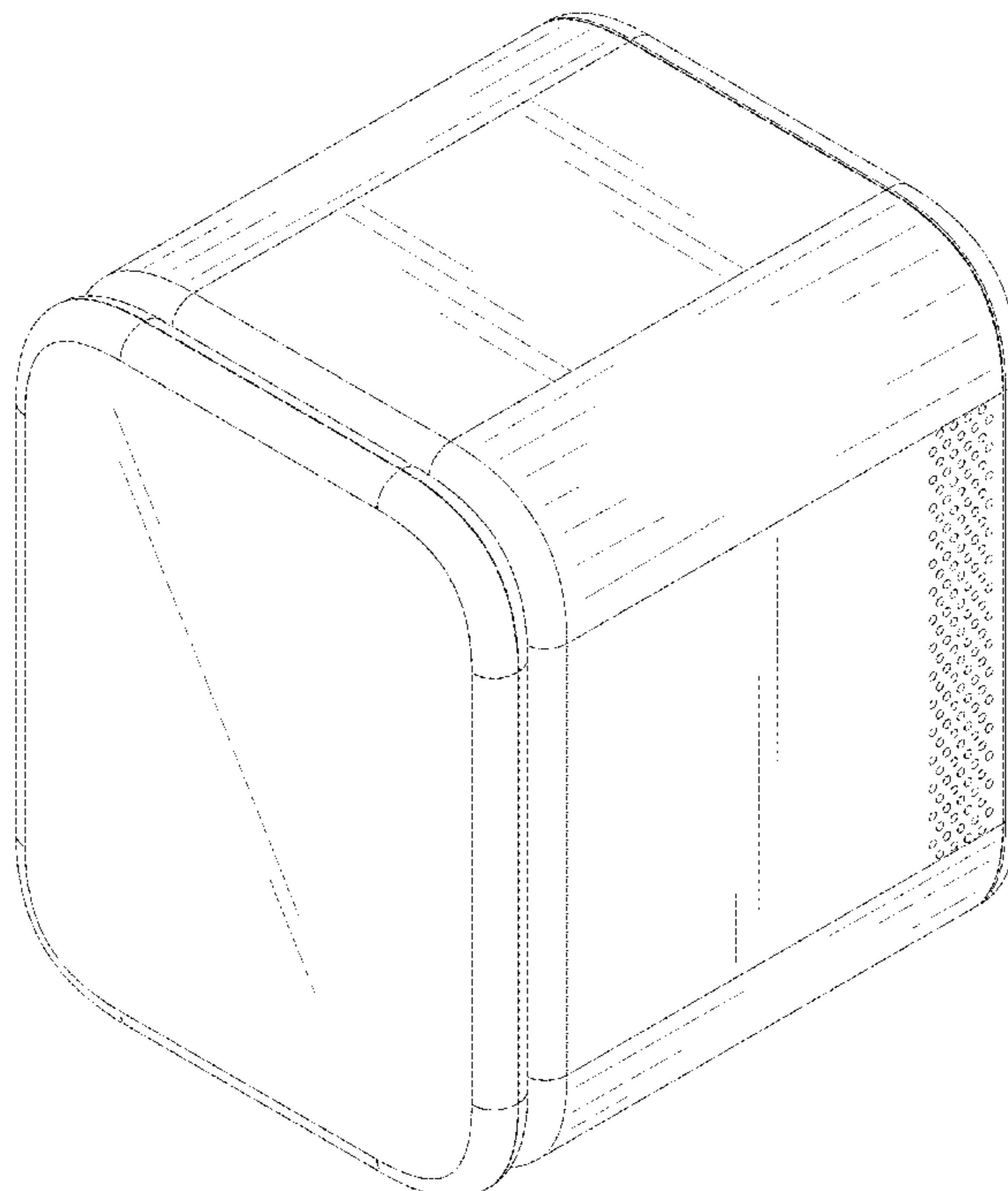
FIG. 7 is a left side elevational view thereof;

FIG. 8 is a right side elevational view thereof;

FIG. 9 is a top plan view thereof; and,

FIG. 10 is a bottom plan view thereof.

**1 Claim, 10 Drawing Sheets**



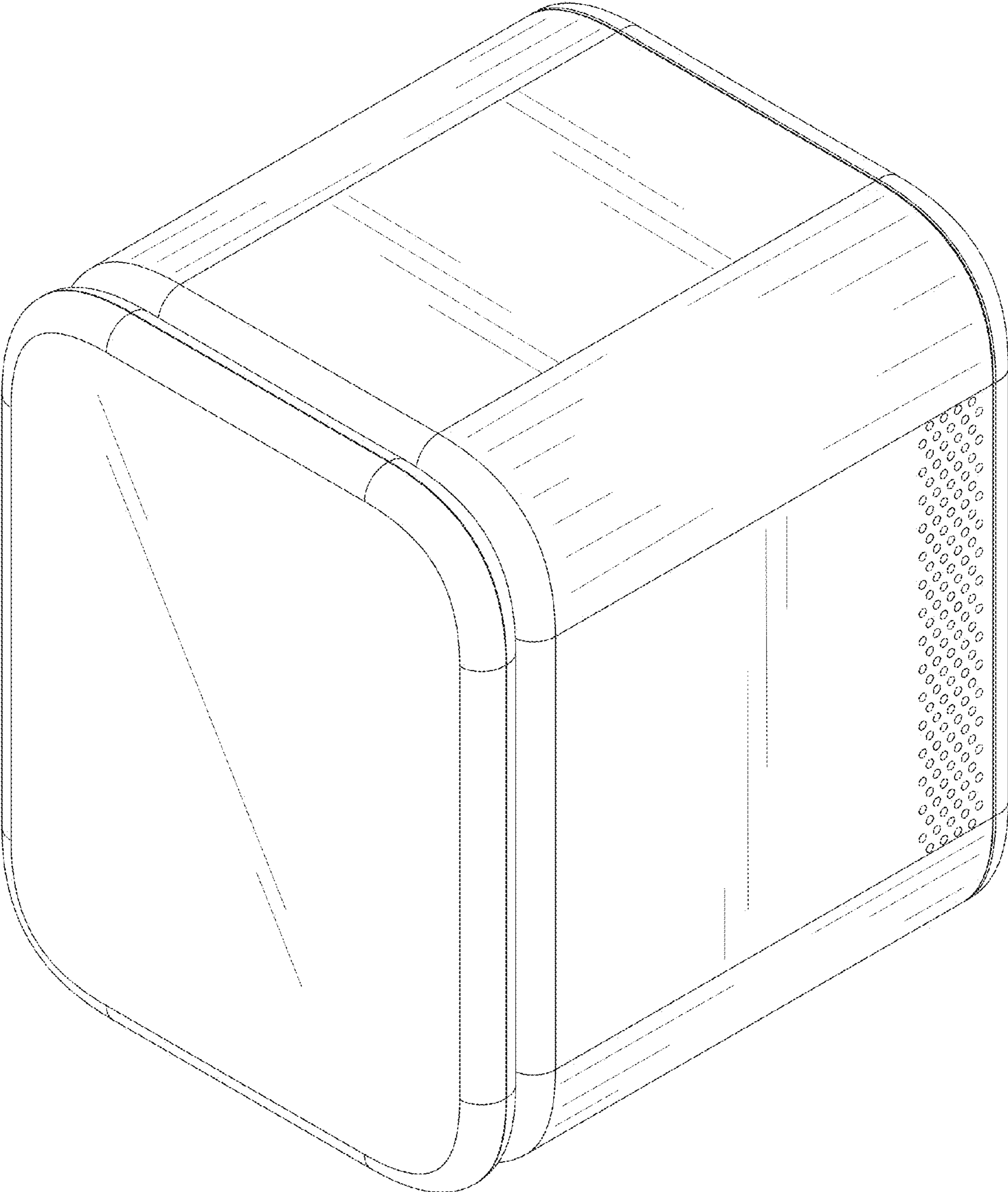


FIG. 1

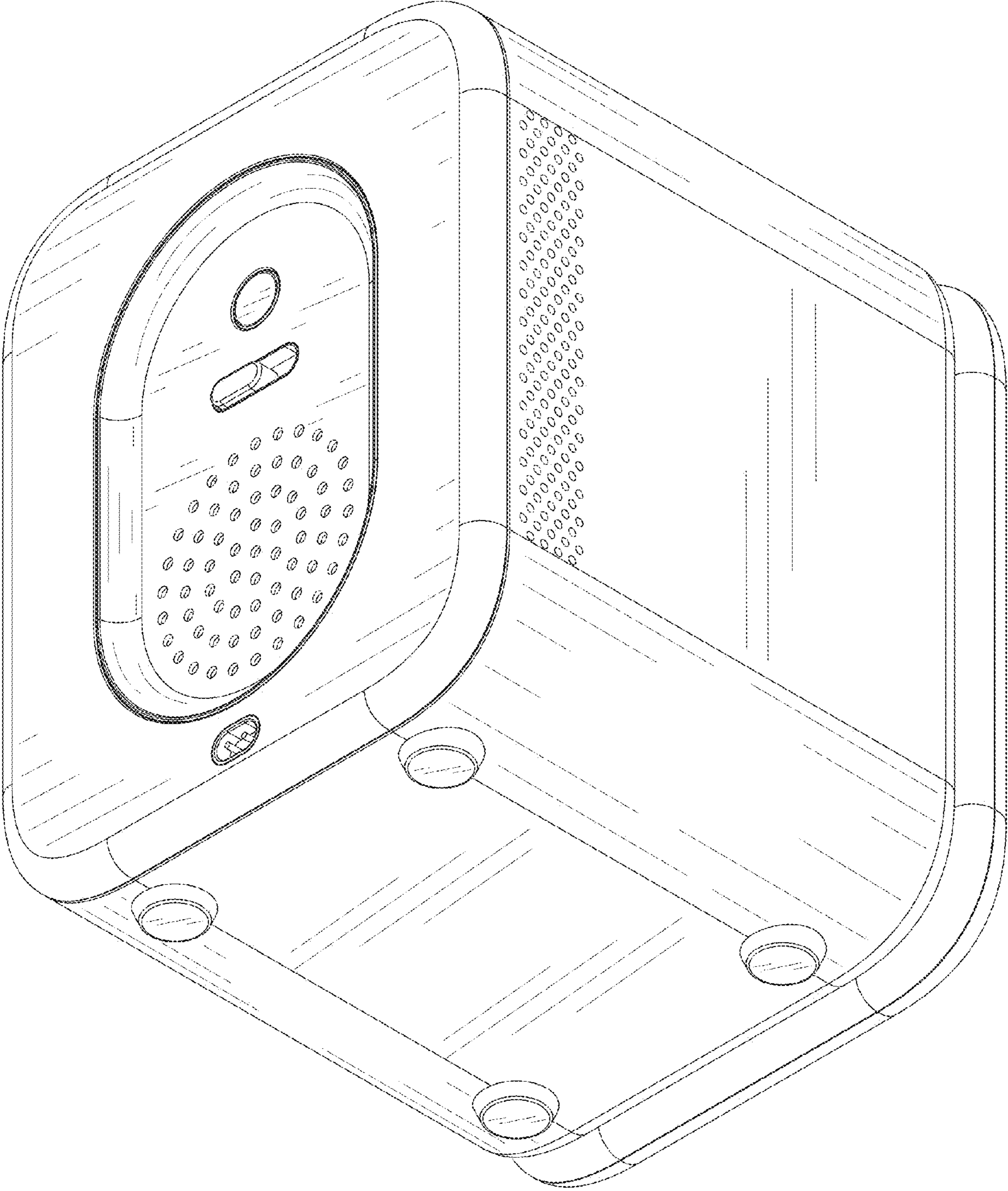


FIG. 2

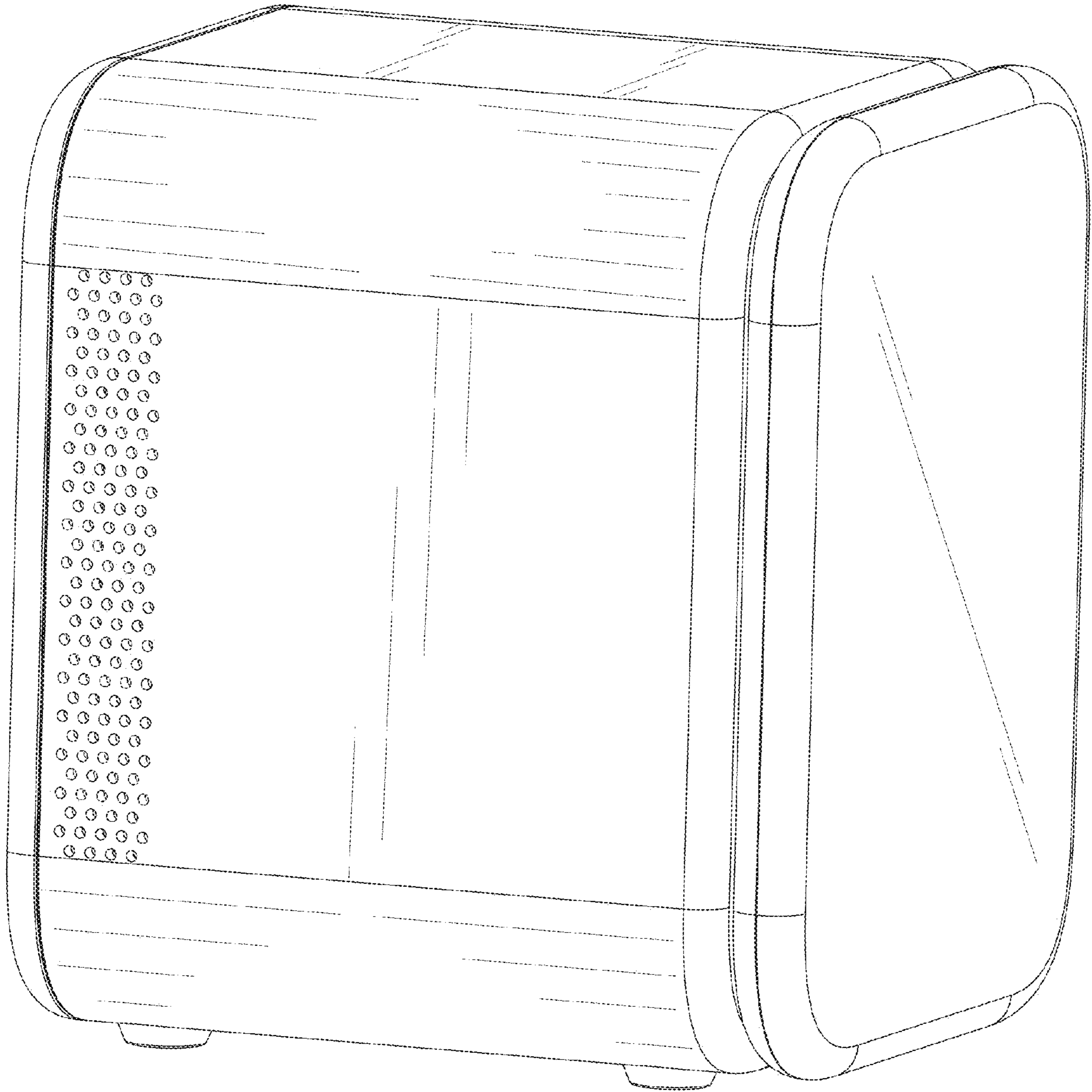


FIG. 3

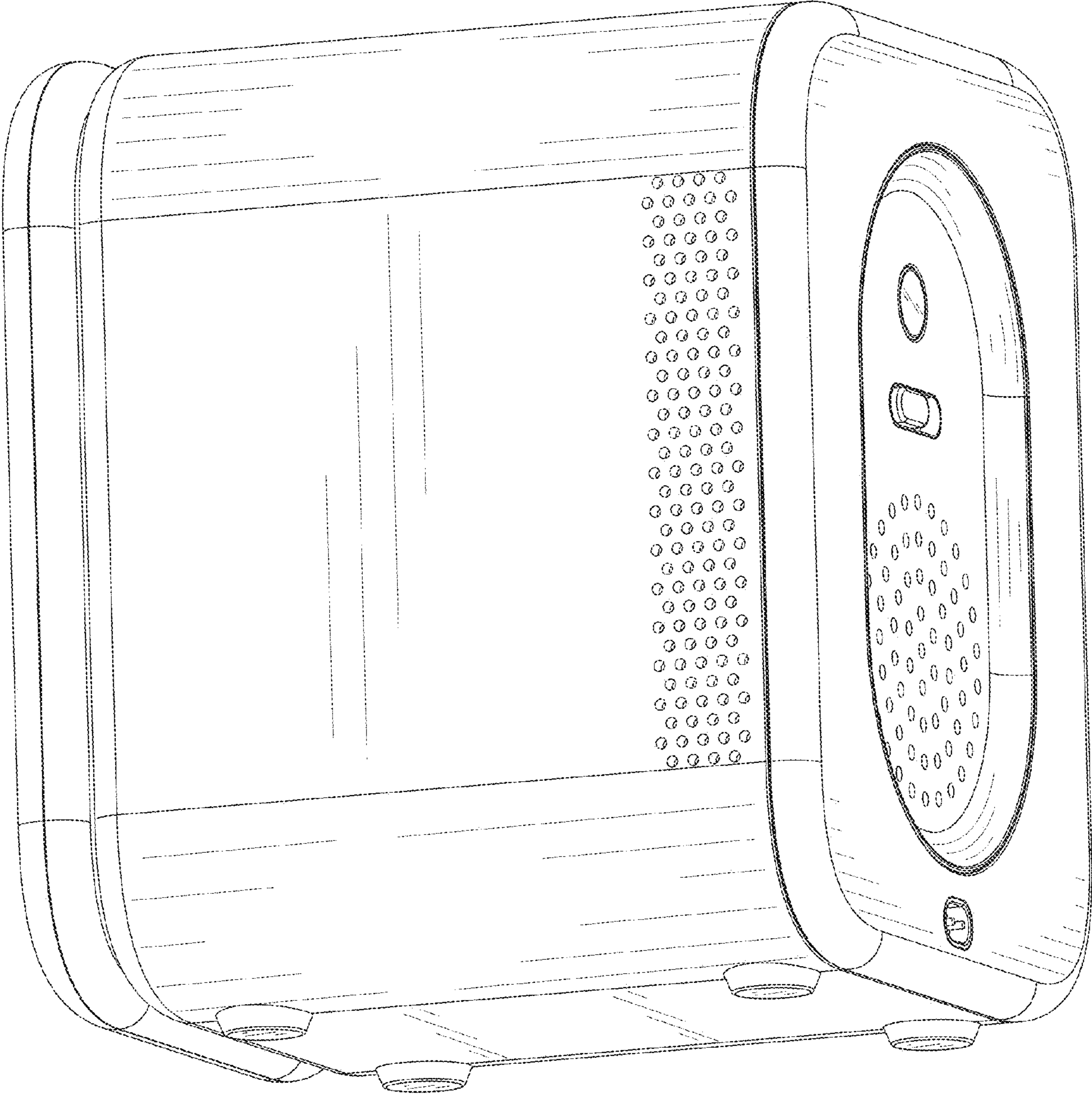


FIG. 4

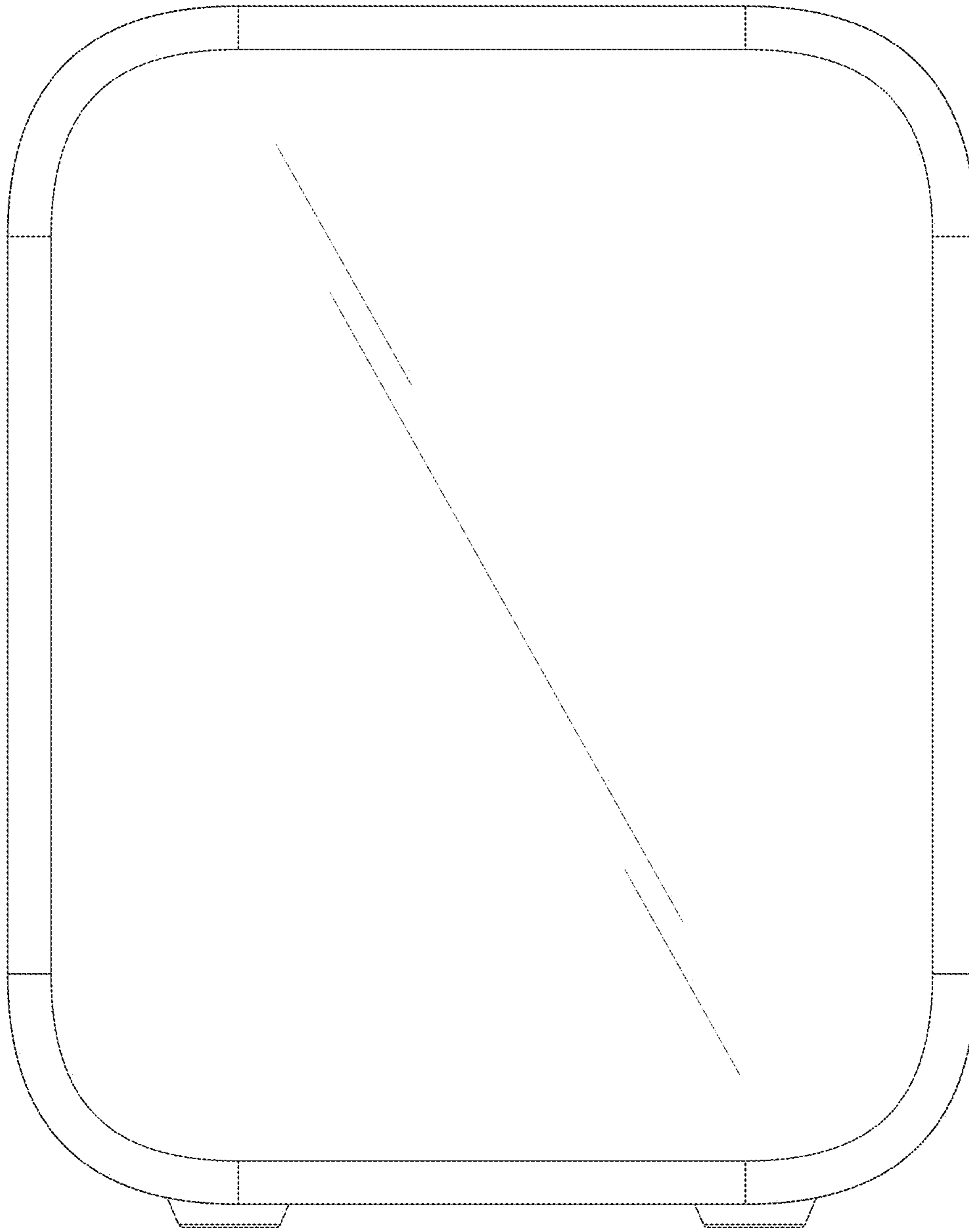


FIG. 5

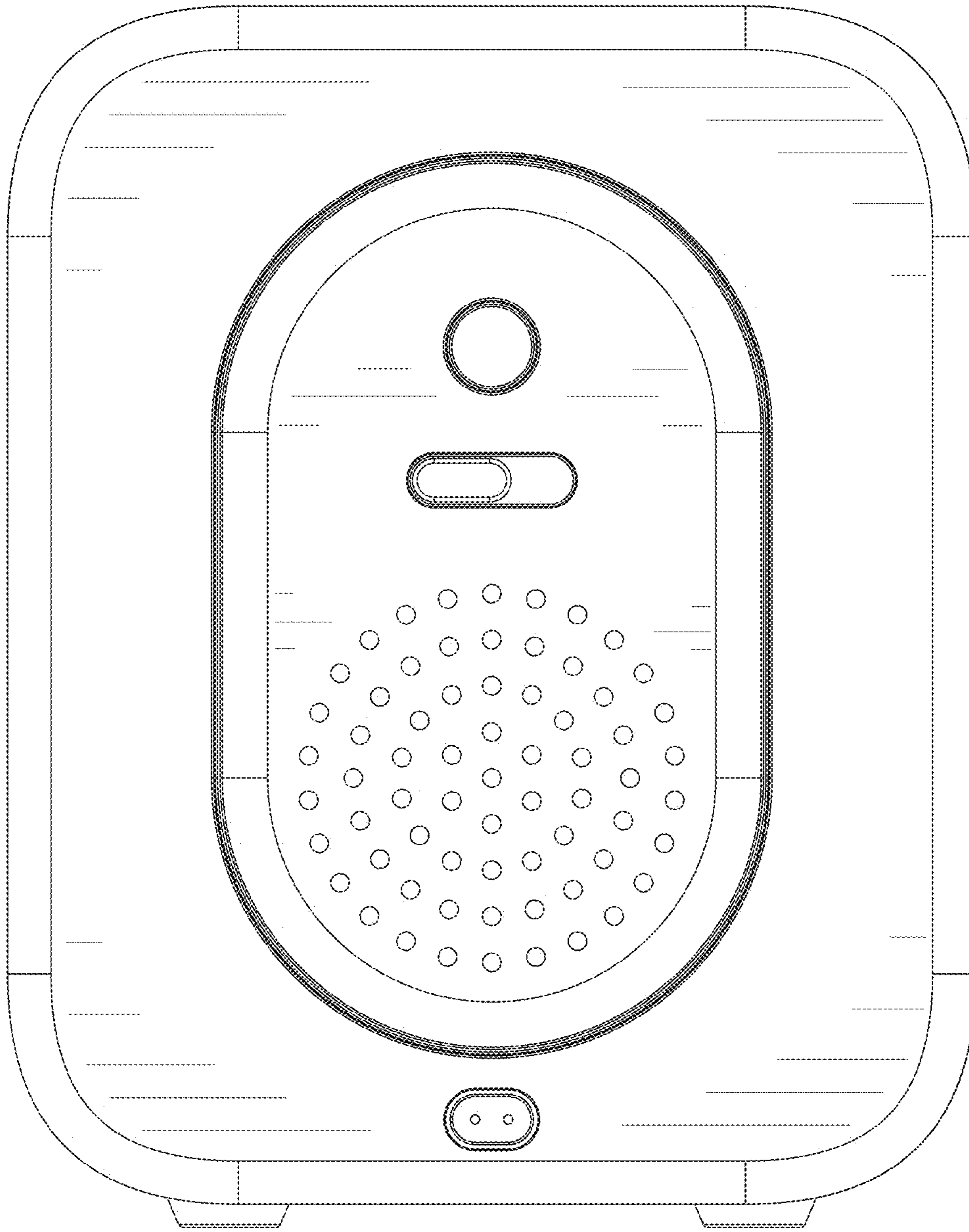


FIG. 6

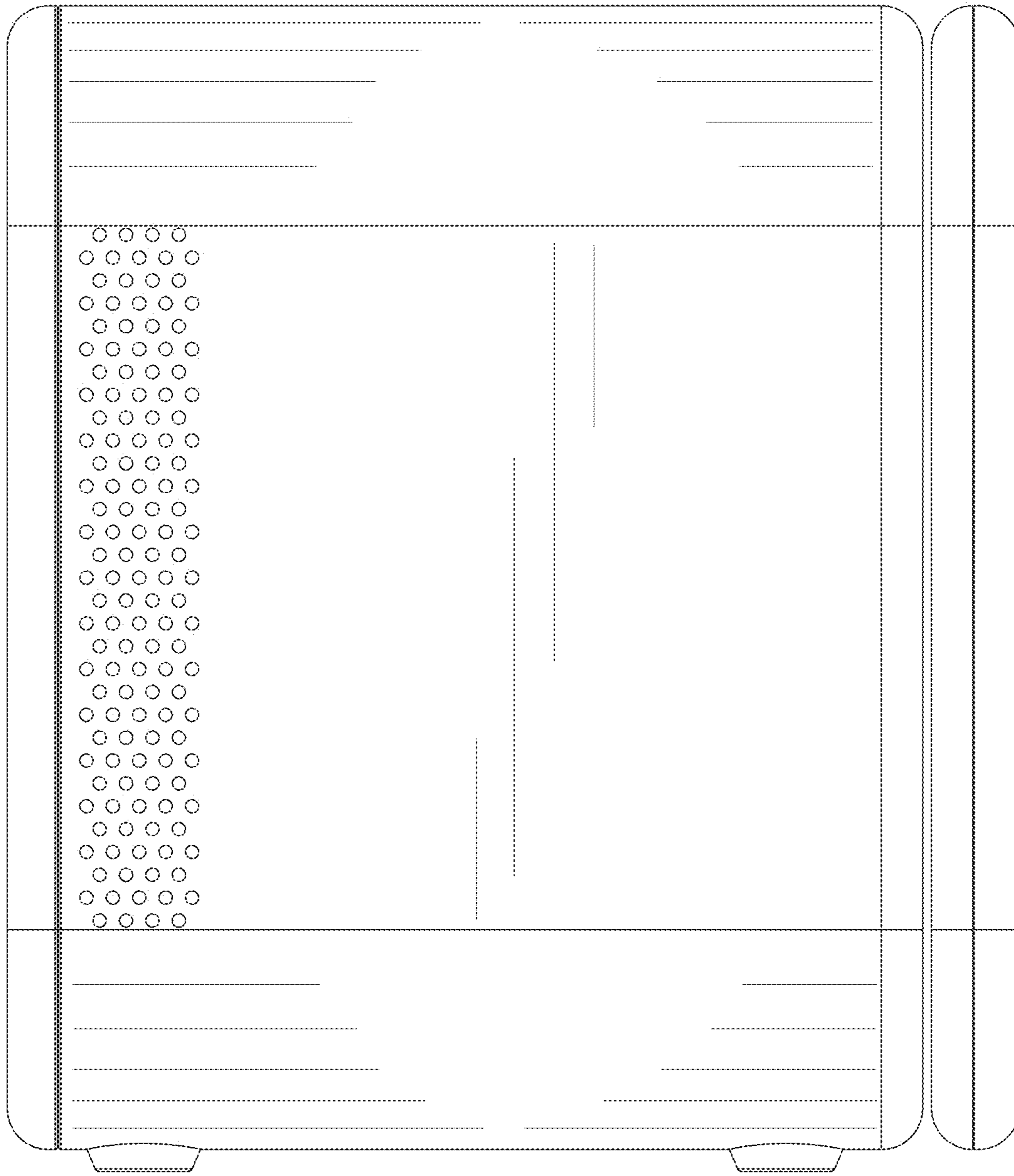


FIG. 7



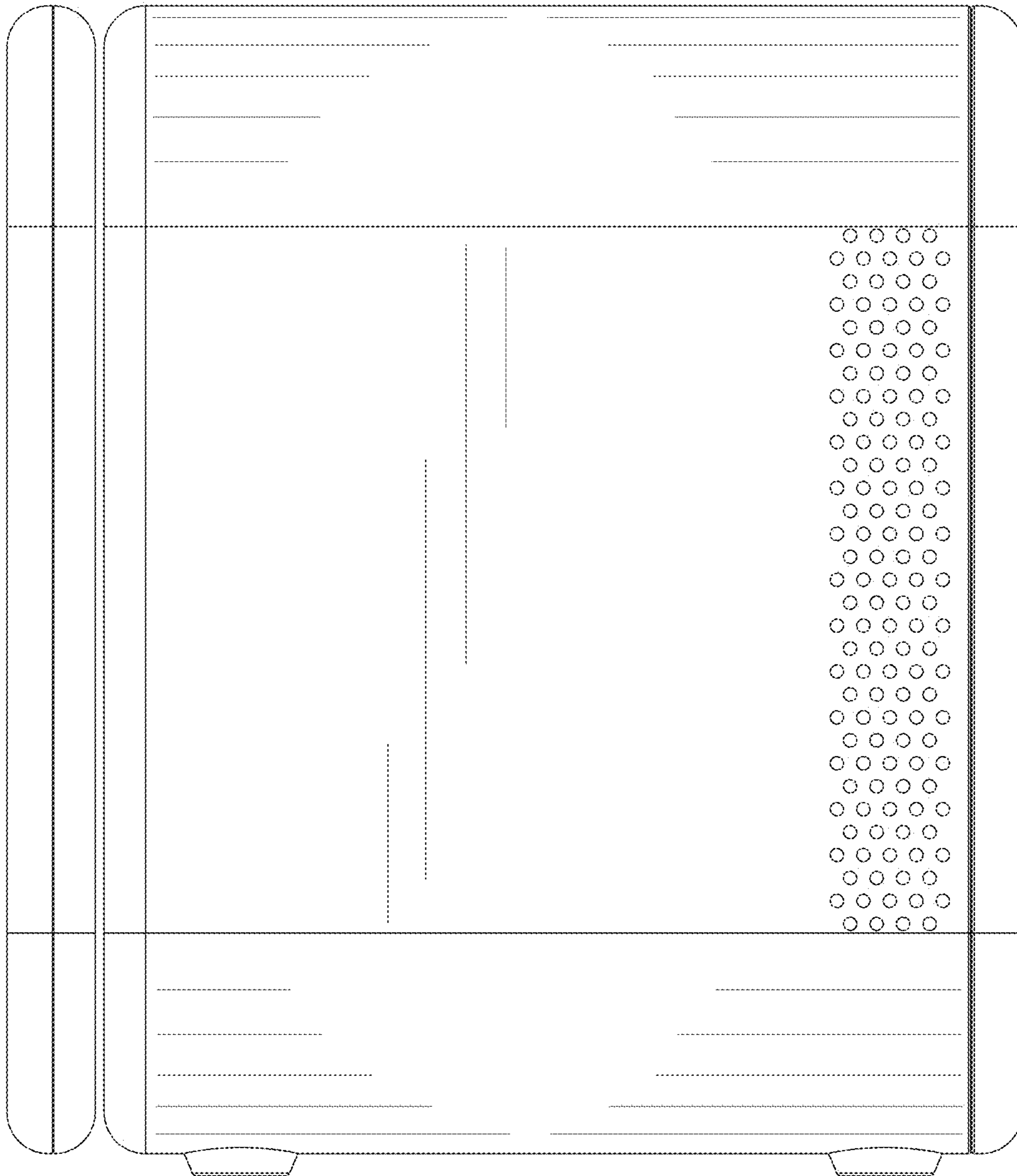


FIG. 8

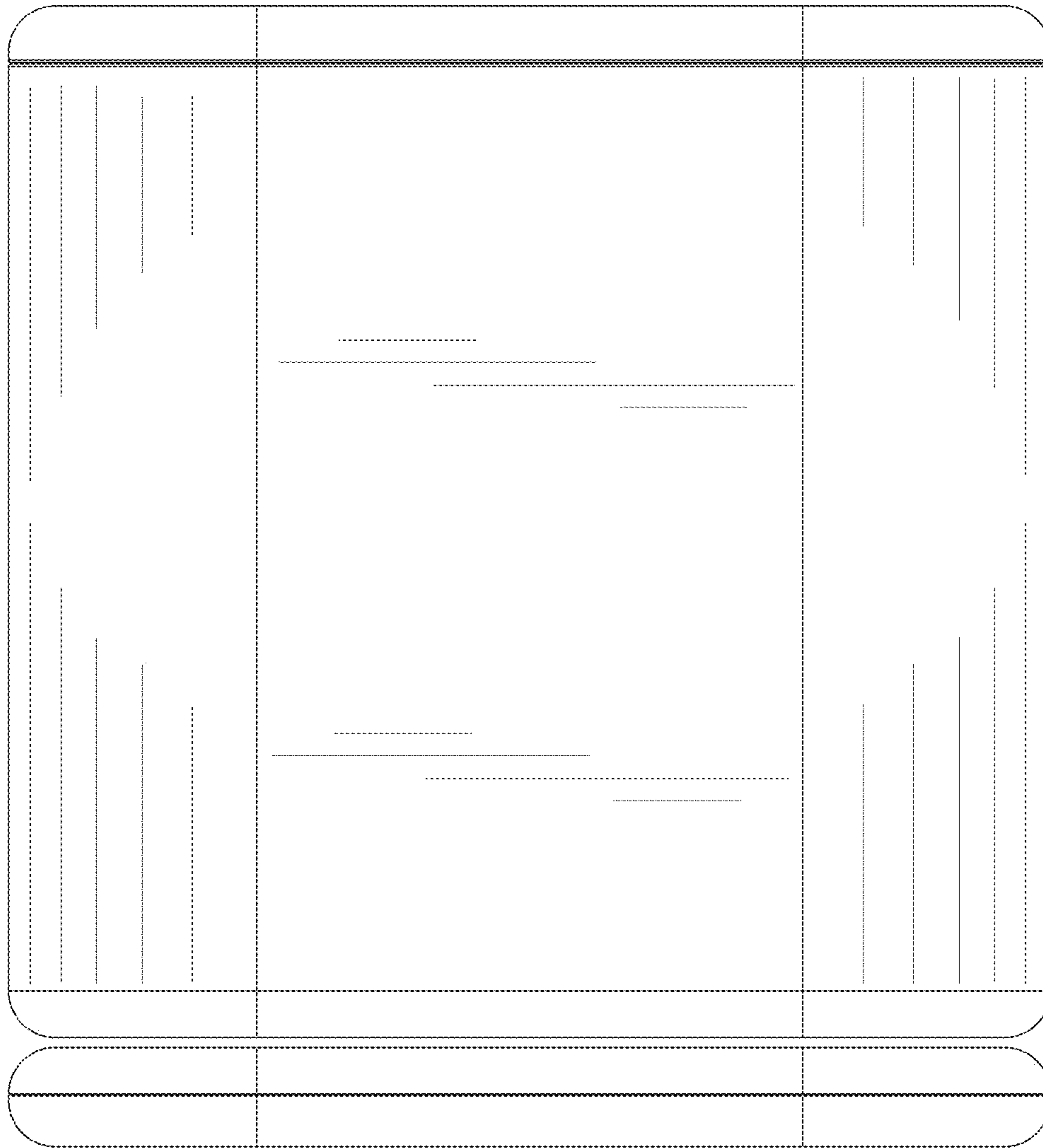


FIG. 9

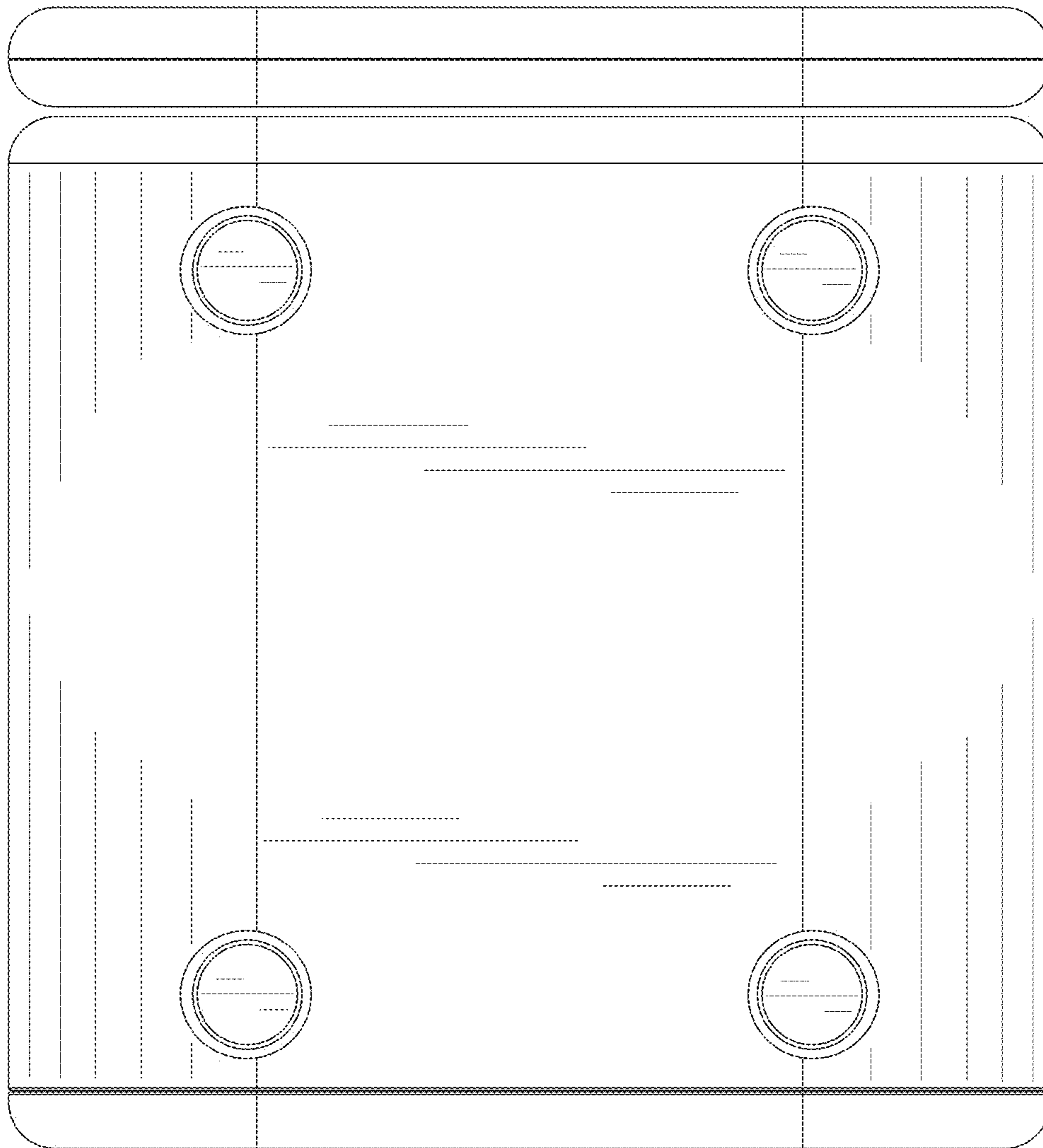


FIG. 10