



US00D964431S

(12) **United States Design Patent** (10) **Patent No.:** **US D964,431 S**
Di Biase (45) **Date of Patent:** **** Sep. 20, 2022**

(54) **CONSTRUCTION MACHINE**
 (71) Applicant: **MDB SRL**, Lanciano (IT)
 (72) Inventor: **Mario Di Biase**, Lanciano (IT)
 (73) Assignee: **MDB SRL**
 (**) Term: **15 Years**
 (21) Appl. No.: **29/758,069**
 (22) Filed: **Nov. 12, 2020**

(30) **Foreign Application Priority Data**

May 13, 2020 (EM) 007919162

(51) **LOC (13) Cl.** **15-03**

(52) **U.S. Cl.**
 USPC **D15/22**

(58) **Field of Classification Search**
 USPC D15/10, 21–26, 33, 199; D12/13, 14, 1;
 D34/34
 CPC A01B 69/00; G05D 1/00; G05D 1/021;
 B62D 55/065; B62D 55/084; B60P 3/00;
 A62C 27/00
 See application file for complete search history.

(56) **References Cited**

U.S. PATENT DOCUMENTS

5,984,618 A * 11/1999 Deneve E02F 3/3408
 414/706
 D431,574 S * 10/2000 Porter D15/25
 D463,454 S * 9/2002 Miller D15/22
 D466,910 S * 12/2002 Miller D15/22
 D469,448 S * 1/2003 Bares D15/32
 D470,512 S * 2/2003 Miller D15/22
 D470,513 S * 2/2003 Miller D15/22
 D472,904 S * 4/2003 Bares D15/24
 D479,535 S * 9/2003 Lange D15/25
 D482,701 S * 11/2003 Bares D15/24
 D516,587 S * 3/2006 Bares D15/23

D563,438 S * 3/2008 Bares D15/24
 D579,027 S * 10/2008 Kato D15/25
 D583,834 S * 12/2008 Sugiyama D15/23
 D583,835 S * 12/2008 Sugiyama D15/23
 D595,746 S * 7/2009 Iida D15/28
 D610,172 S * 2/2010 Yukino D15/28
 D739,446 S * 9/2015 Nilsson D15/32
 D758,457 S * 6/2016 Okuyama D15/25
 D766,343 S * 9/2016 Linan D15/28
 D788,184 S * 5/2017 Okuyama D15/32
 D790,598 S * 6/2017 Furuki D15/25
 D947,255 S * 3/2022 Zong D15/25

* cited by examiner

Primary Examiner — Mark A Goodwin

(74) *Attorney, Agent, or Firm* — The Belles Group, P.C.

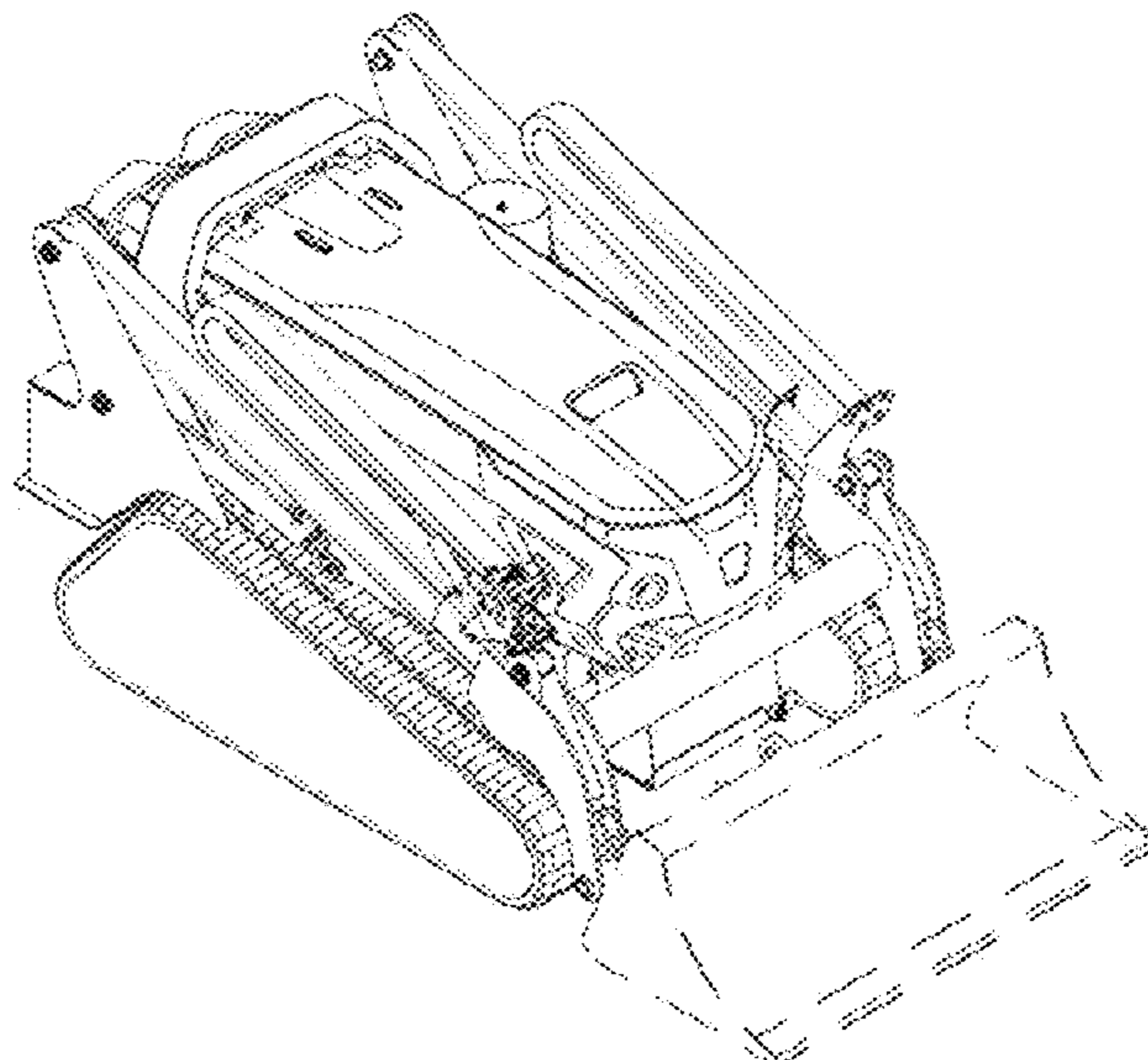
(57) **CLAIM**

The ornamental design for a construction machine, as shown and described.

DESCRIPTION

FIG. 1 is a perspective view of a construction machine according to my new design, wherein a lift arm thereof is in a lowered position;
 FIG. 2 is a perspective view thereof, wherein the lift arm is in a raised position;
 FIG. 3 is a left side view thereof, wherein the lift arm is in the lowered position;
 FIG. 4 is a right side view thereof, wherein the lift arm is in the raised position;
 FIG. 5 is a front view thereof, wherein the lift arm is in the lowered position;
 FIG. 6 is a front view thereof, wherein the lift arm is in the raised position; and,
 FIG. 7 is a top view thereof, wherein the lift arm is in the lowered position.
 The broken lines in the drawings illustrate portions of the construction machine that form no part of the claimed design.

1 Claim, 7 Drawing Sheets



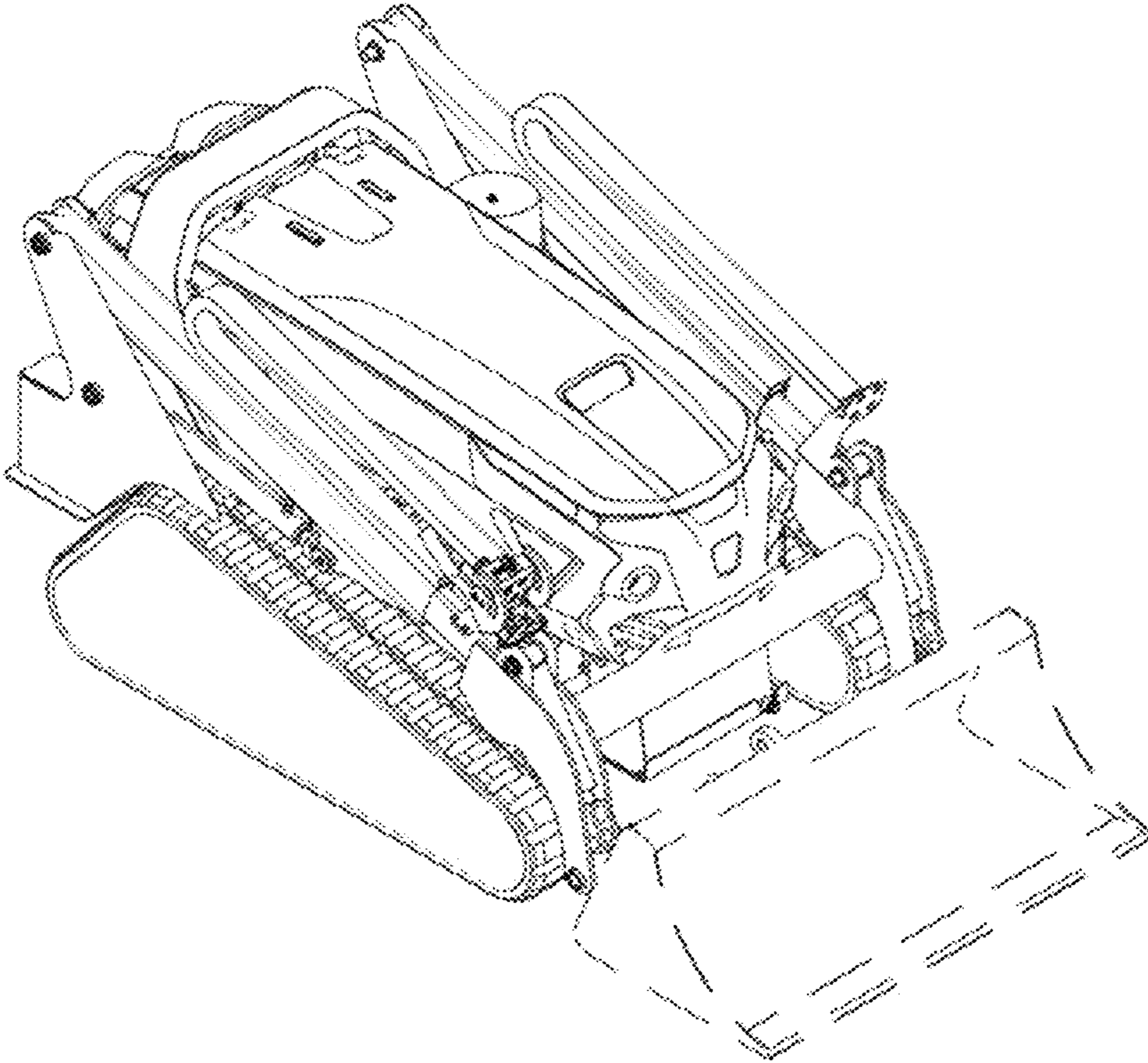


FIG. 1

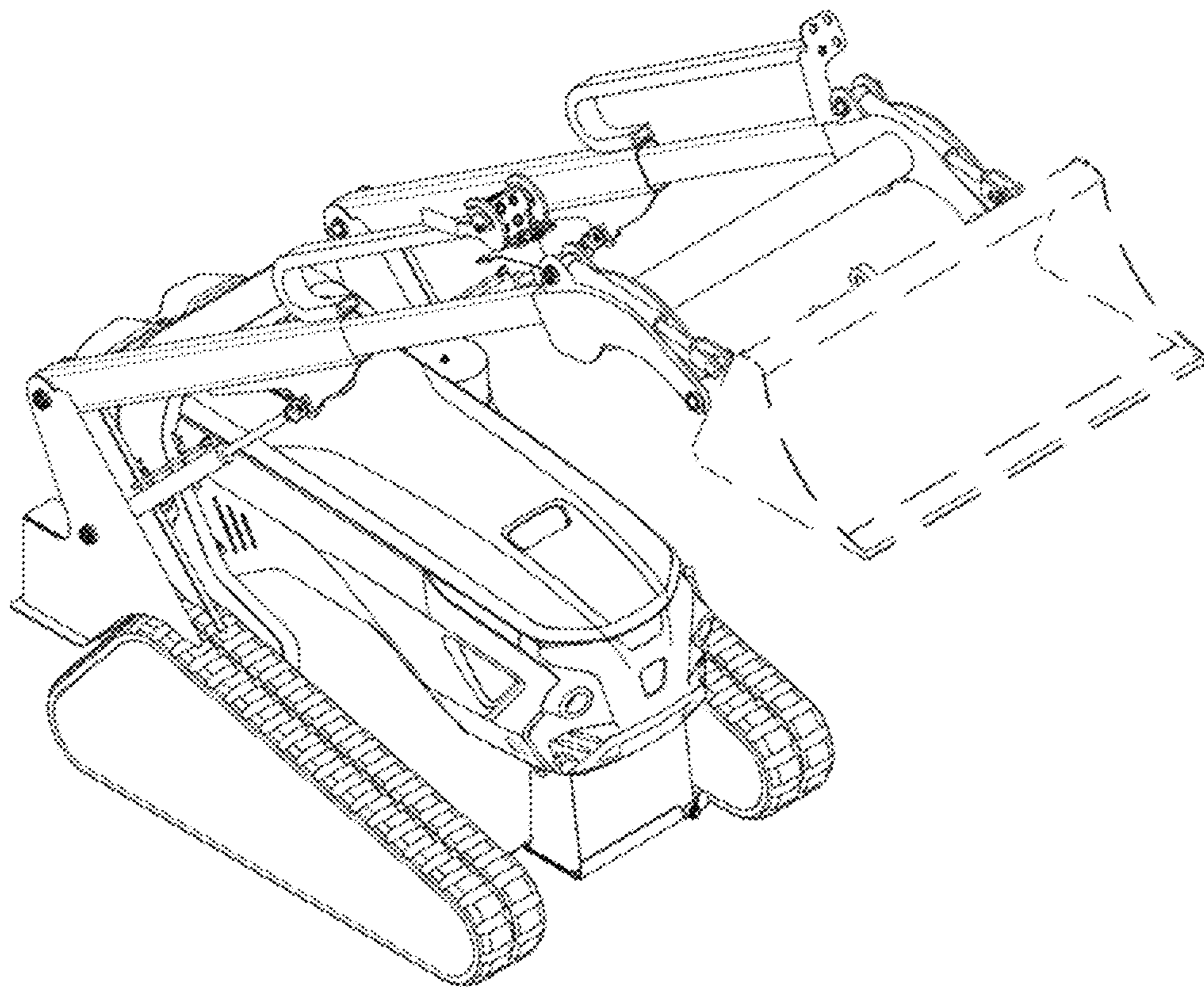


FIG. 2

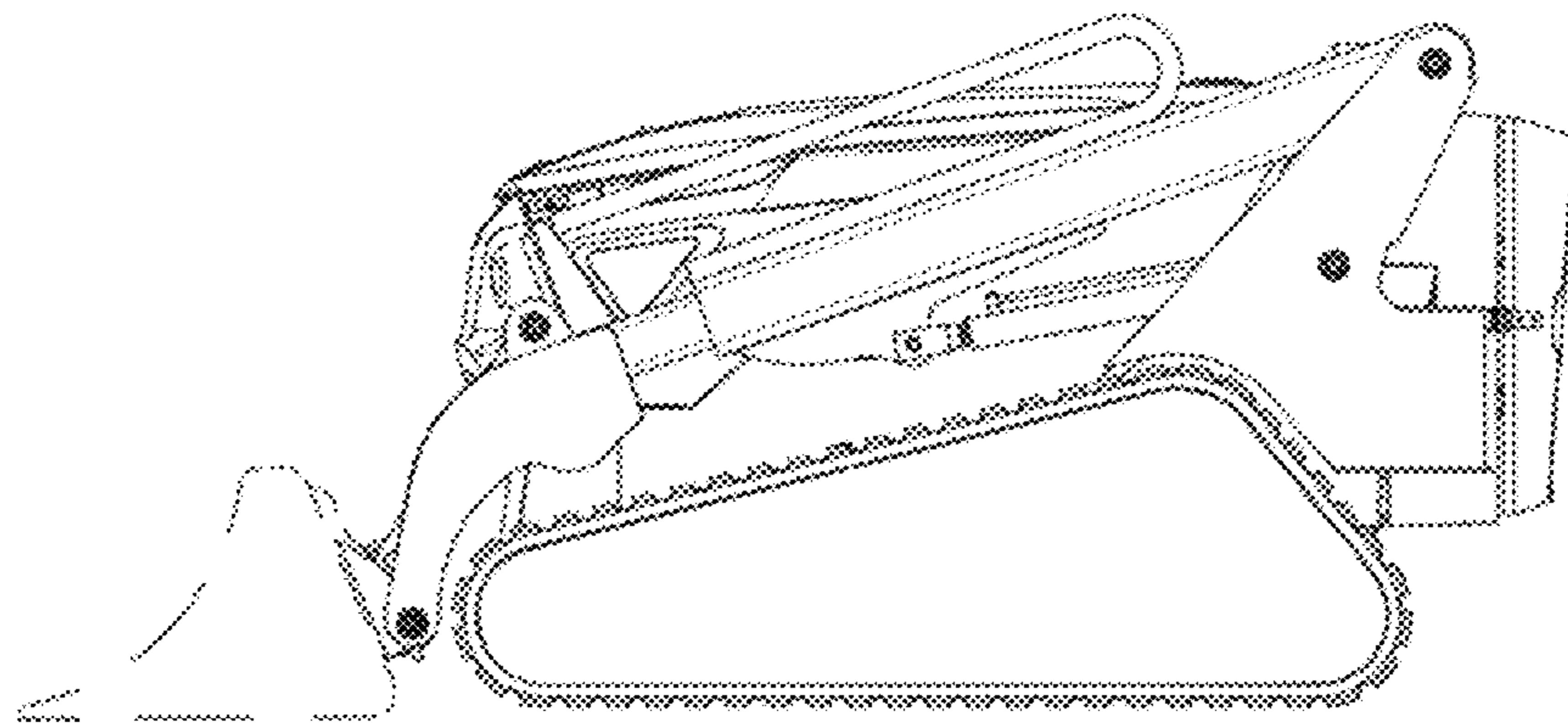


FIG. 3

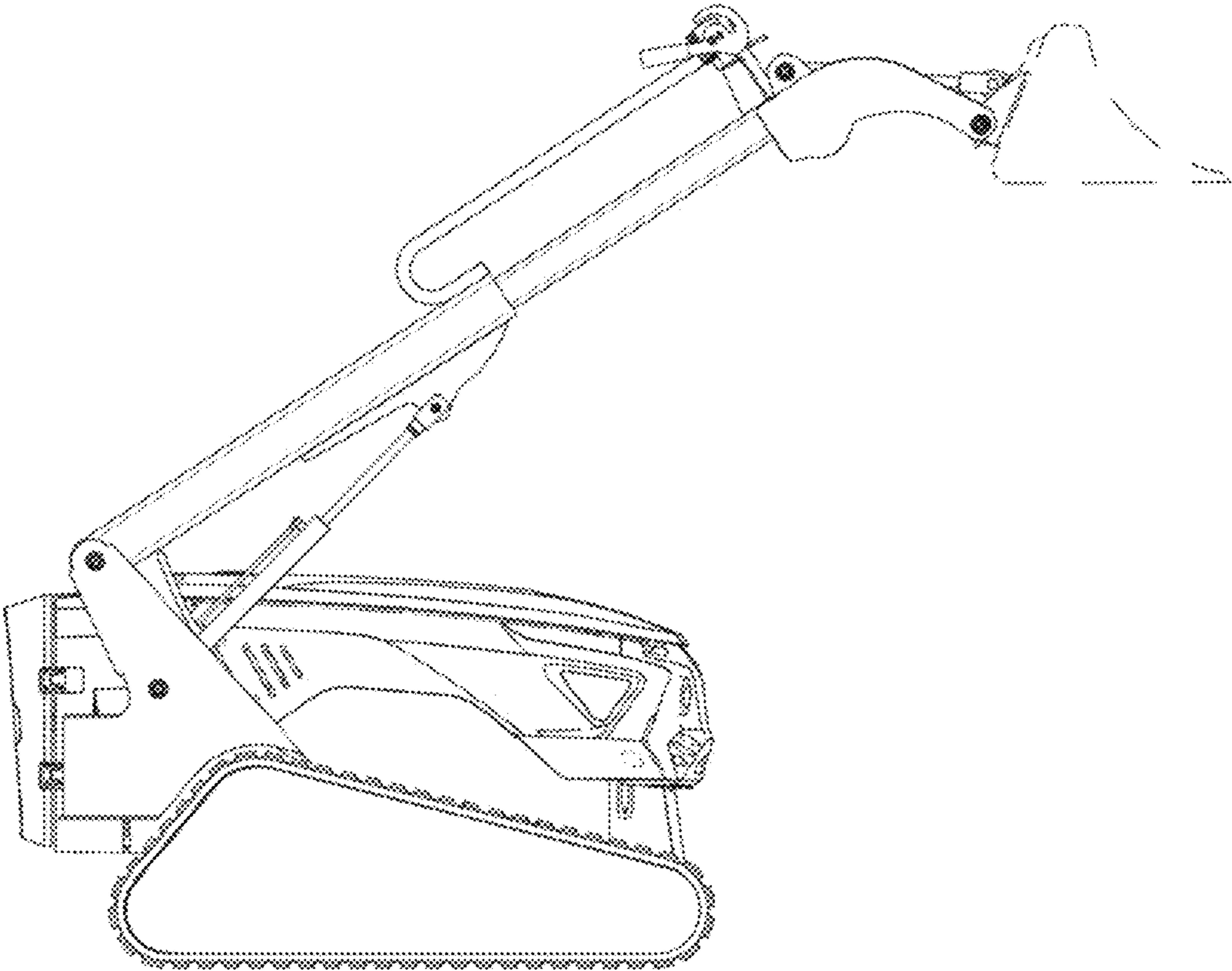


FIG. 4

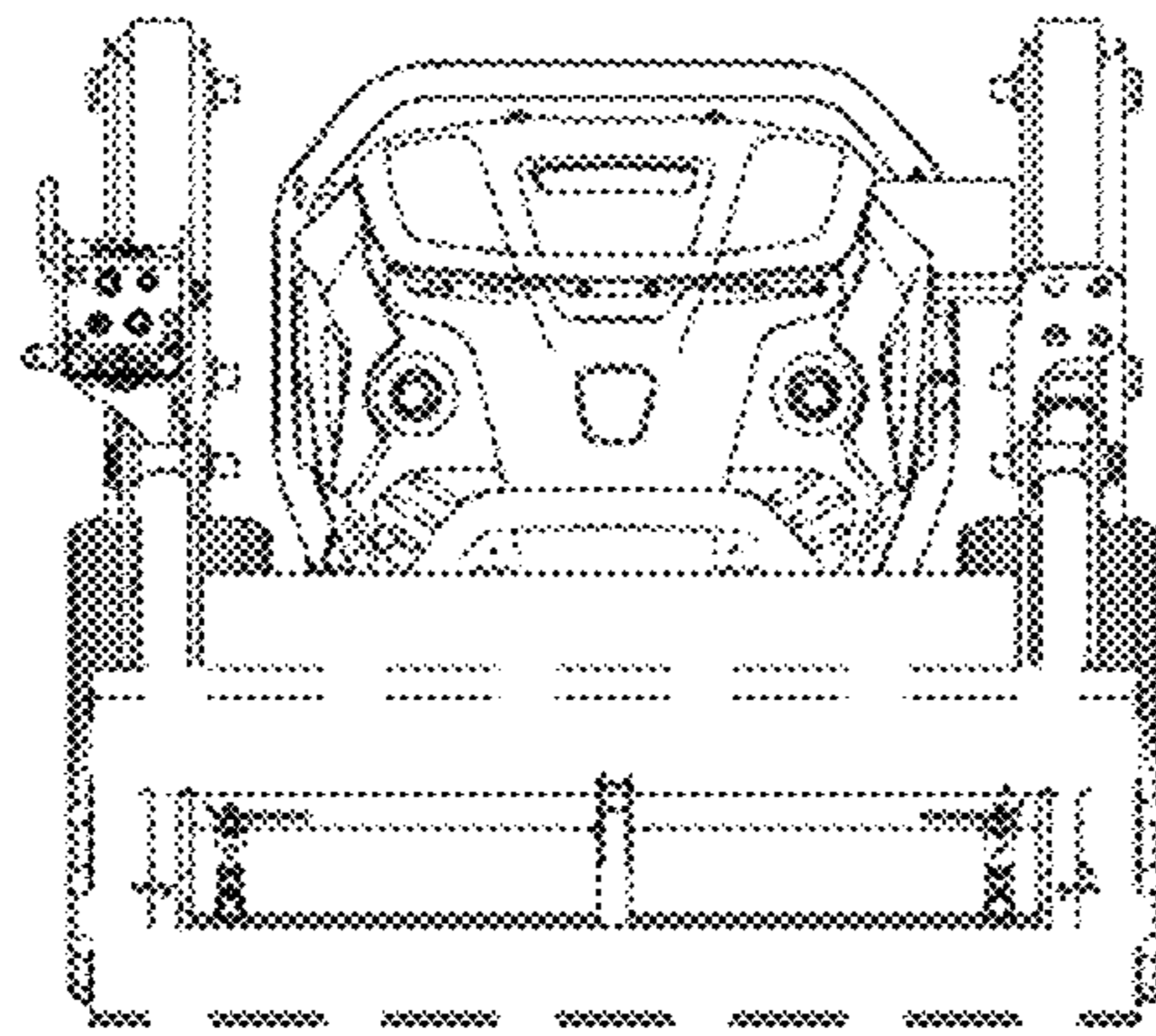


FIG. 5

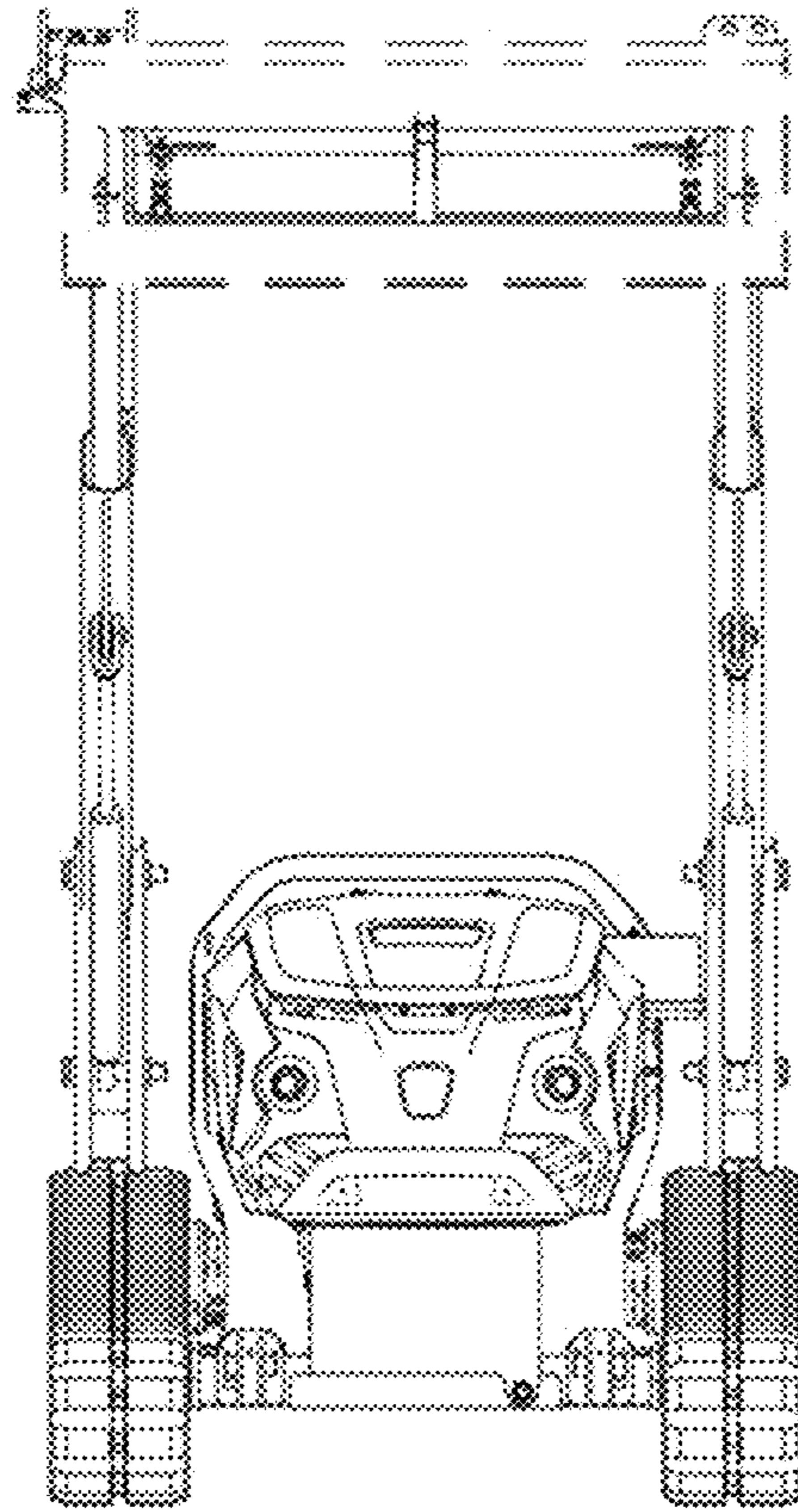


FIG. 6

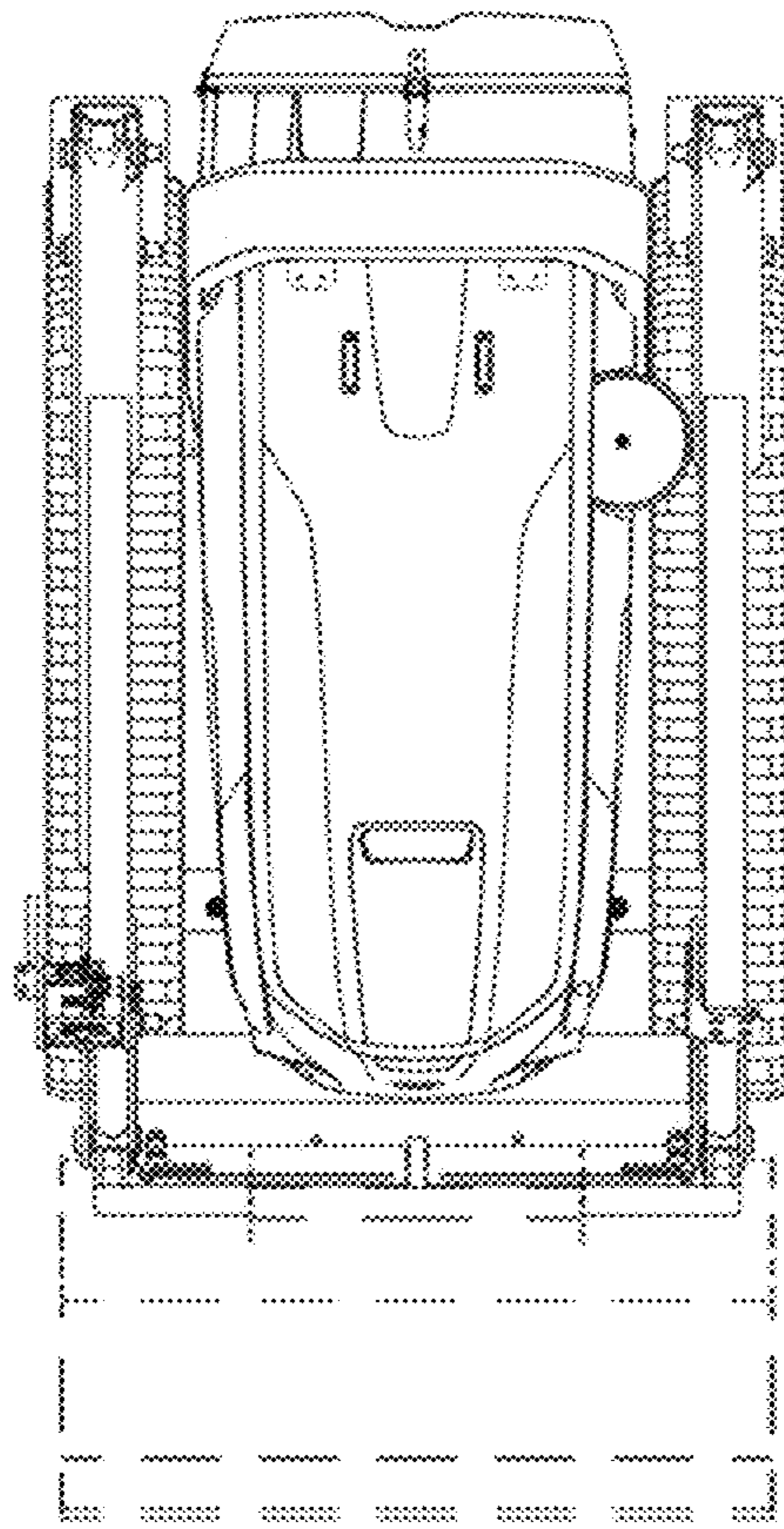


FIG. 7