



US00D964430S

(12) **United States Design Patent**
Zhang et al.

(10) **Patent No.:** **US D964,430 S**
(45) **Date of Patent:** **** Sep. 20, 2022**

(54) **RIDING LAWN MOWER**

(56) **References Cited**

(71) Applicant: **Nanjing Chervon Industry Co., Ltd.**,
Nanjing (CN)

U.S. PATENT DOCUMENTS

(72) Inventors: **Su Zhang**, Nanjing (CN); **Xunzhuang Qiu**,
Nanjing (CN); **Kai Zhang**, Nanjing (CN)

D409,208	S	*	5/1999	Eavenson	D15/15
D450,330	S	*	11/2001	Katoh	D15/15
D560,690	S	*	1/2008	Higashikawa	D15/15
D674,816	S	*	1/2013	Higashikawa	D15/15
D681,685	S	*	5/2013	Higashikawa	D15/15
D719,980	S	*	12/2014	Foster	D15/15
D789,423	S	*	6/2017	Shi	D15/15
D866,609	S	*	11/2019	Long	D15/15
D866,610	S	*	11/2019	Long	D15/15
D866,611	S	*	11/2019	Long	D15/15
D866,612	S	*	11/2019	Long	D15/15
D919,671	S	*	5/2021	Donati	D15/15
2020/0383268	A1	*	12/2020	Fujii	A01D 34/824
2020/0390031	A1	*	12/2020	Yang	G01D 5/145

(73) Assignee: **Nanjing Chervon Industry Co., Ltd.**,
Nanjing (CN)

(**) Term: **15 Years**

* cited by examiner

(21) Appl. No.: **29/782,212**

Primary Examiner — Mark A Goodwin

(22) Filed: **May 5, 2021**

(74) *Attorney, Agent, or Firm* — Greenberg Traurig, LLP

(30) **Foreign Application Priority Data**

Nov. 5, 2020 (CN) 202030666536.3

(57) **CLAIM**

(51) **LOC (13) Cl.** **15-03**

The ornamental design for a riding lawn mower, as shown and described.

(52) **U.S. Cl.**
USPC **D15/15**

DESCRIPTION

(58) **Field of Classification Search**

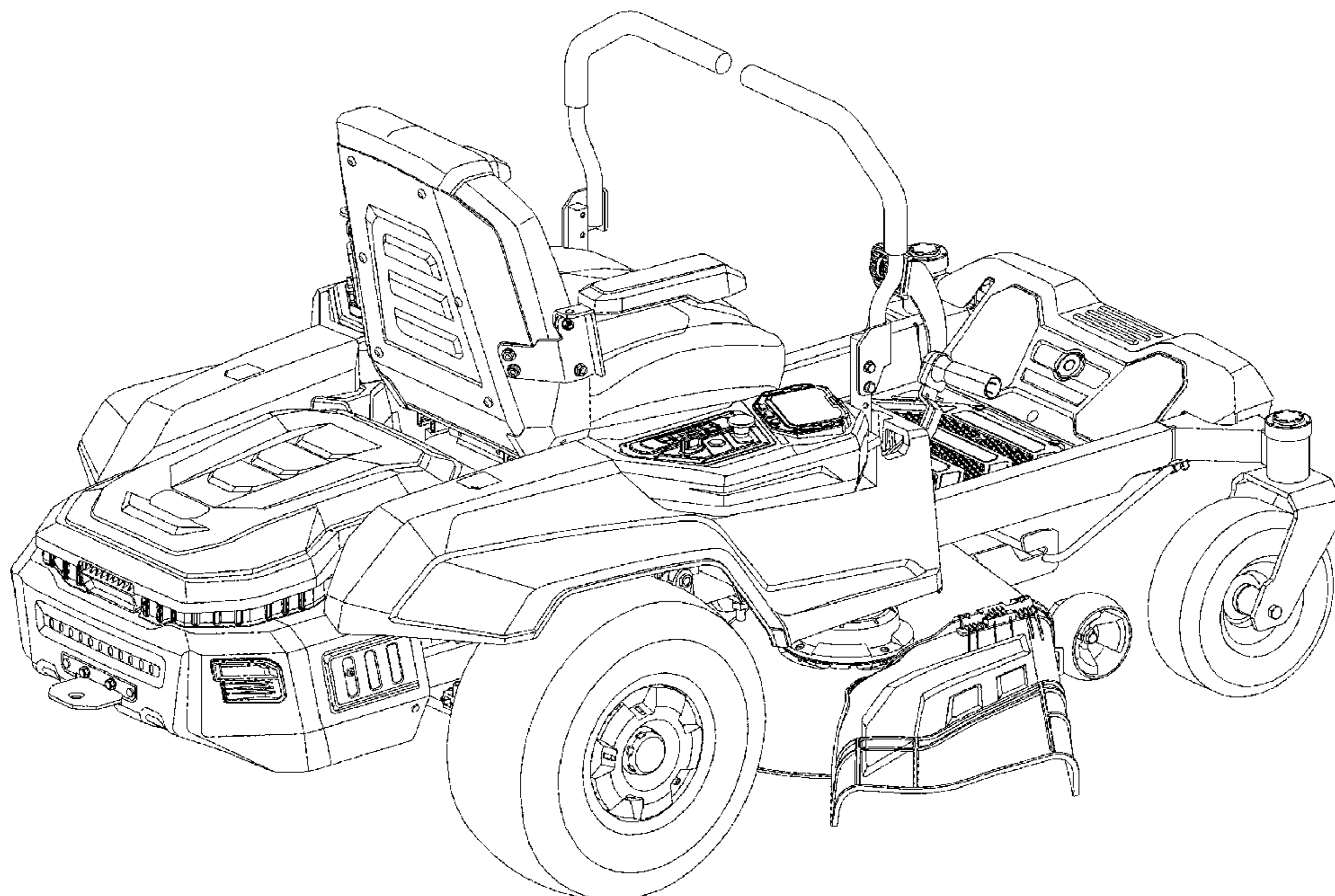
USPC D15/28, 22–26, 14–18, 31, 33; D12/181,
D12/184, 196; 296/198; 280/160, 847,
280/154, 854; 180/68.1, 900, 69.21,
180/69.22, 69.23, 69.24, 69.25, 89.1,
180/69.2, 89.12, 89.19, 273, 68.6;
56/16.1, 13.3, 15.9, 16.7, 17.4, 202, 255,
56/320.1, 13.4, 15.8, 294, 320.2
CPC .. B62D 25/161; B62D 25/168; B62D 25/182;
B62D 25/18; B62D 25/16; A01D 34/64;
A01D 34/90; A01D 34/905

FIG. 1 is a right side, elevational view of a riding lawn mower showing our new design;
FIG. 2 is a left side, elevational view thereof;
FIG. 3 is a back side, elevational view thereof;
FIG. 4 is a front side, elevational view thereof;
FIG. 5 is a top plan view thereof; and,
FIG. 6 is a perspective view thereof.

Any elements shown in dotted and/or dashed lines are provided for illustrative purposes only and form no part of the design claimed. Any surface shading is used solely to show the character or contour of the surfaces represented.

See application file for complete search history.

1 Claim, 6 Drawing Sheets



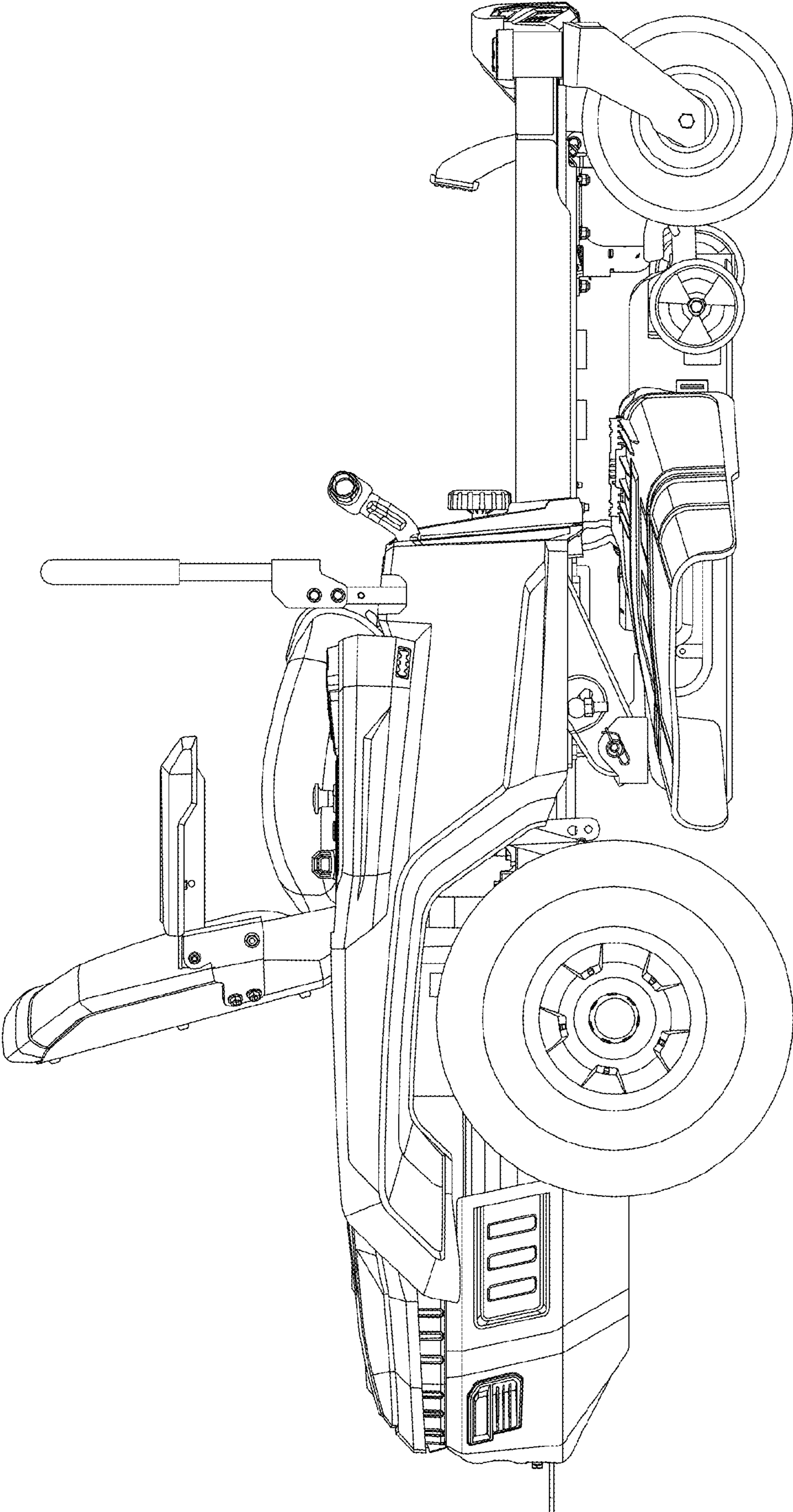


FIG. 1

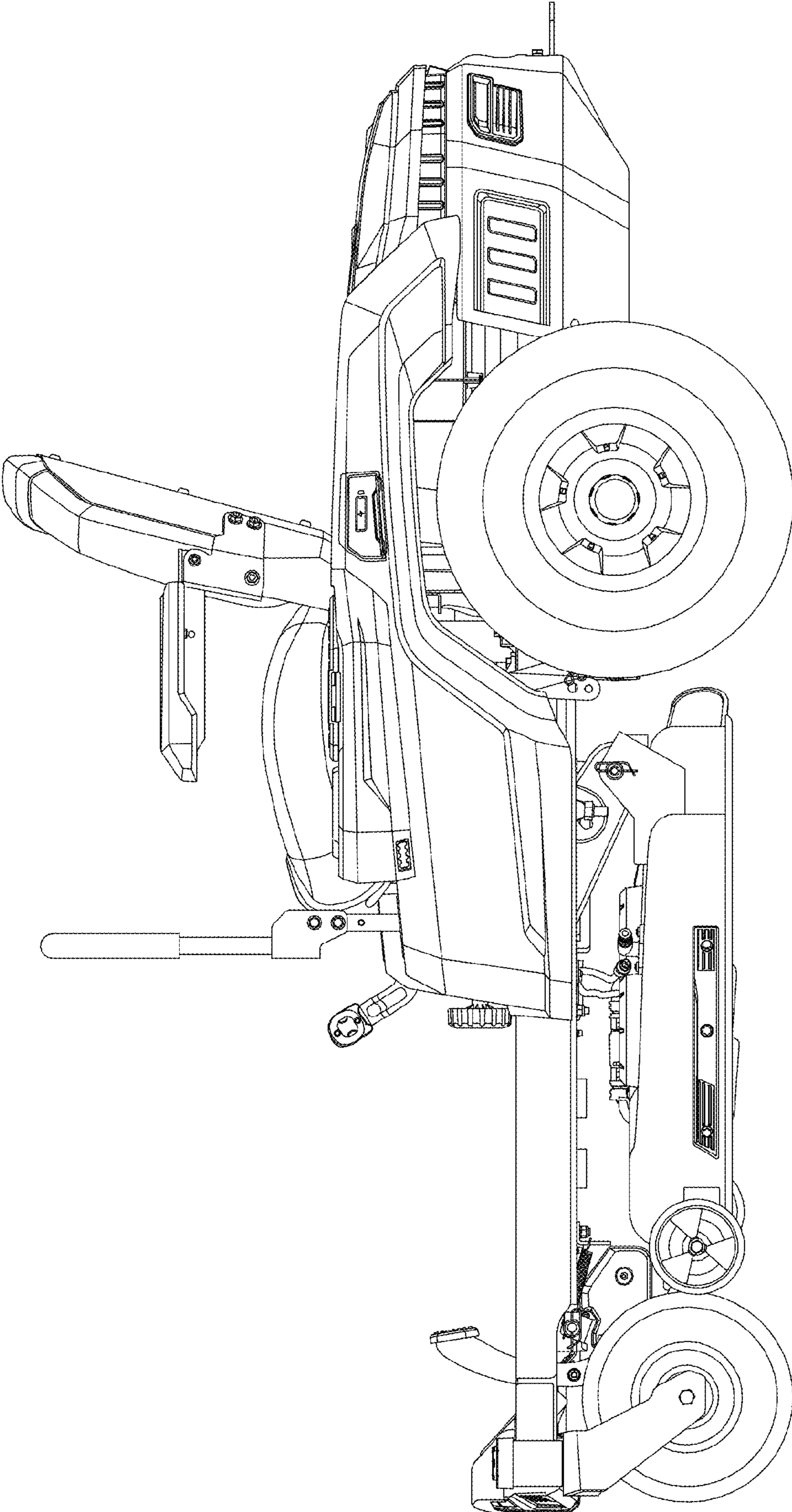


FIG. 2

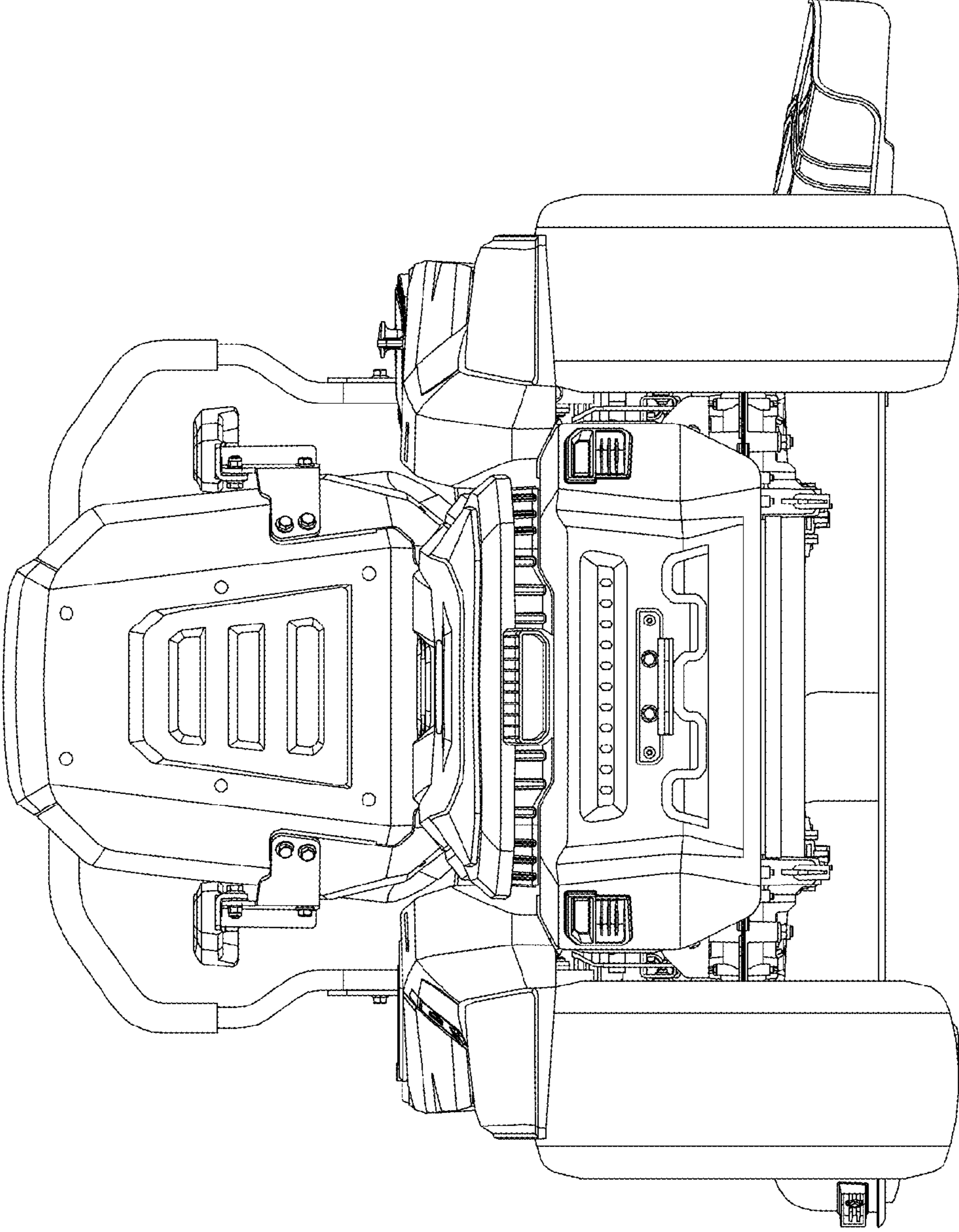


FIG. 3

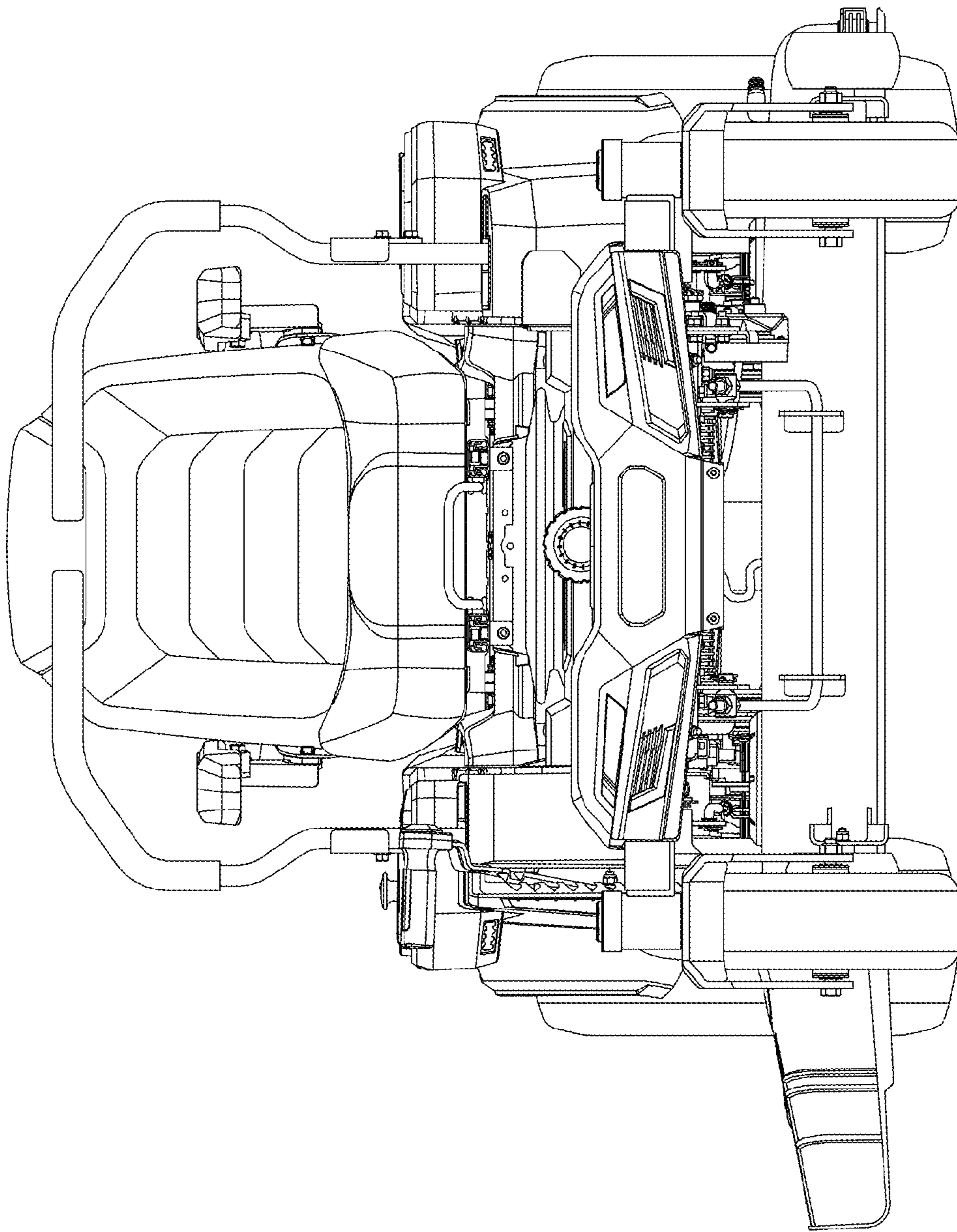


FIG. 4

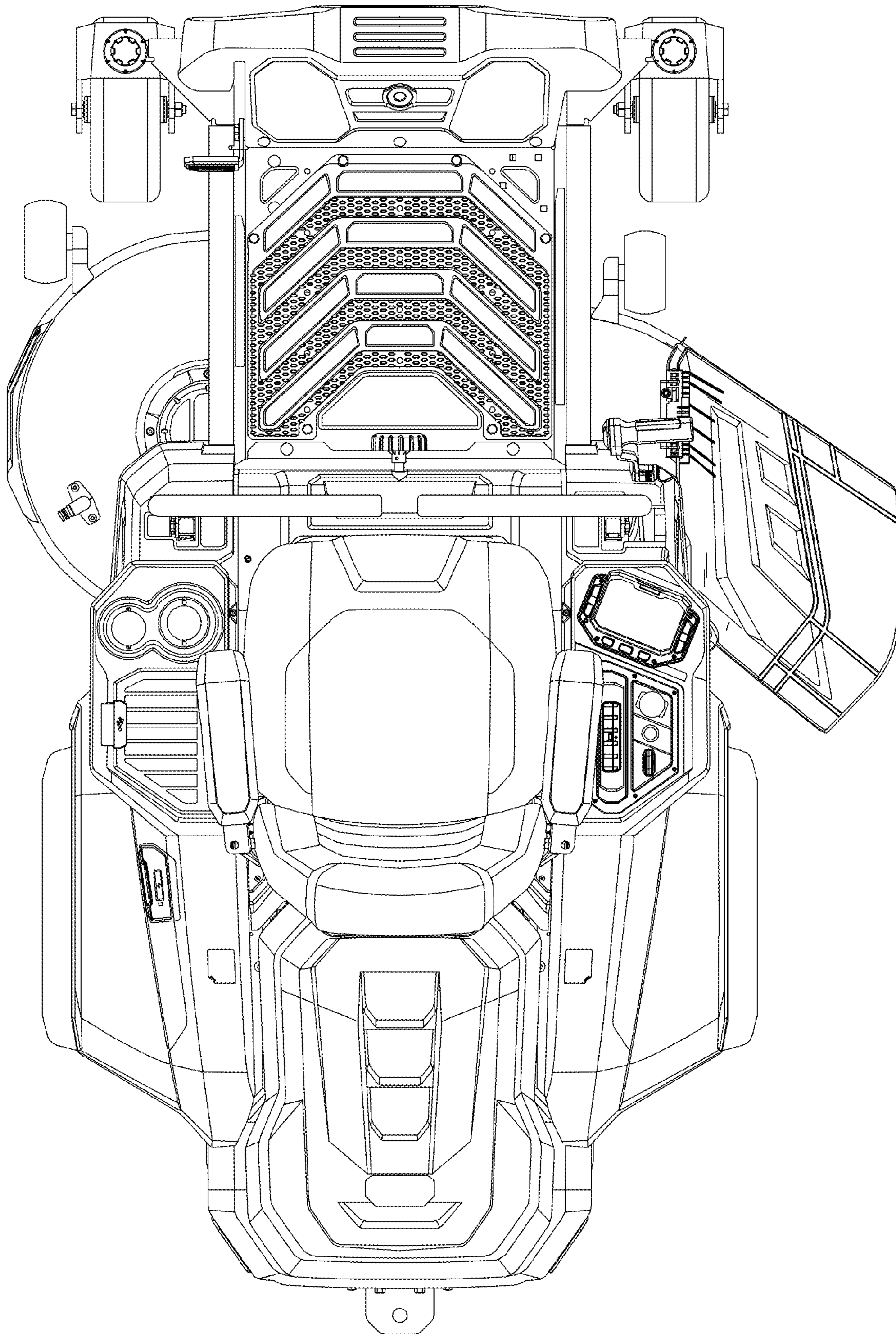


FIG. 5

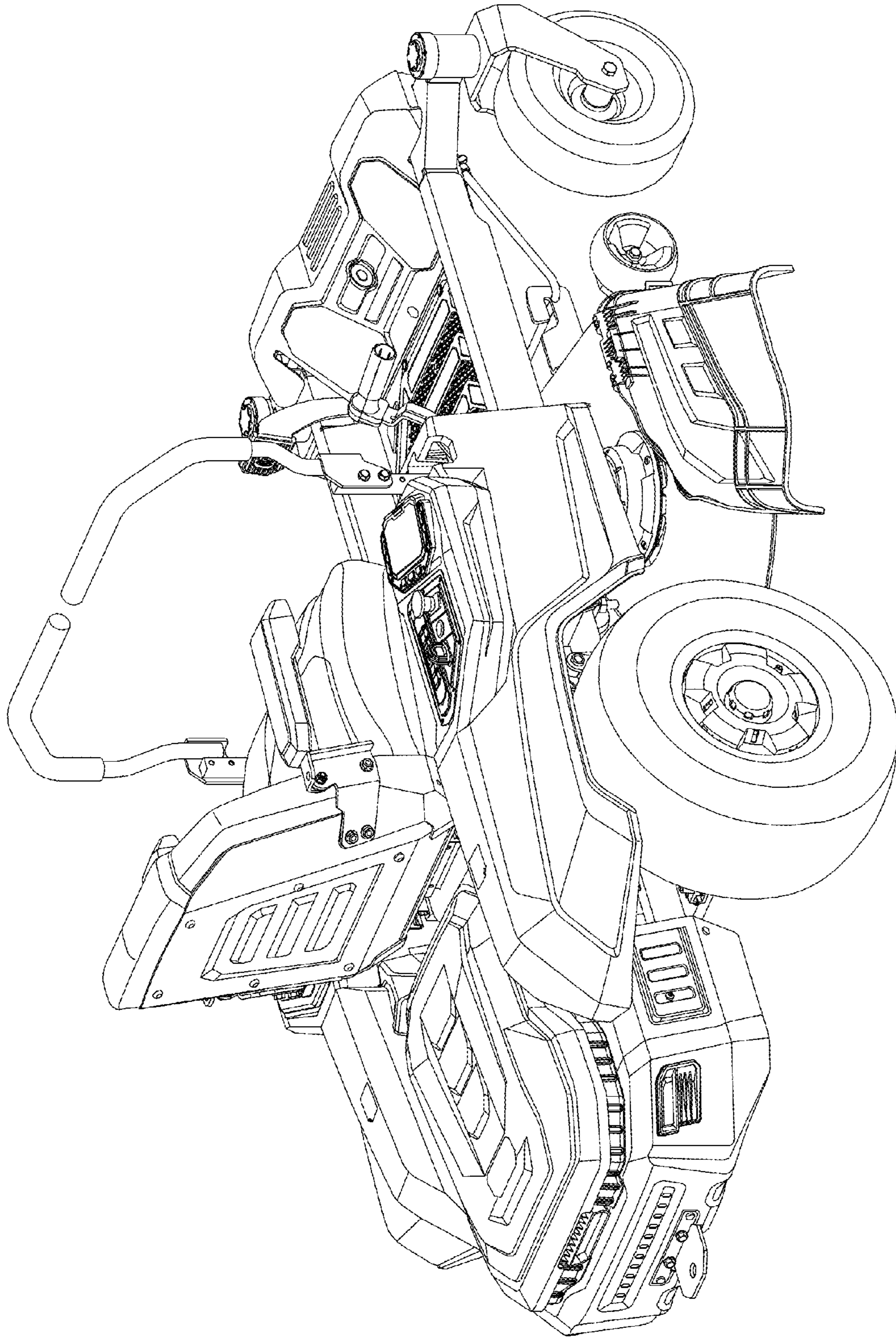


FIG. 6