



US00D964429S

(12) **United States Design Patent**
Williams

(10) **Patent No.:** **US D964,429 S**
(45) **Date of Patent:** **** Sep. 20, 2022**

- (54) **SOLAR LAWNMOWER**
- (71) Applicant: **Photonix Corp**, Chicago, IL (US)
- (72) Inventor: **Edwin Williams**, Chicago, IL (US)
- (73) Assignee: **PHOTONIX CORP**, Chicago, IL (US)
- (**) Term: **15 Years**
- (21) Appl. No.: **29/798,317**
- (22) Filed: **Jul. 7, 2021**
- (51) **LOC (13) Cl.** **15-03**
- (52) **U.S. Cl.**
USPC **D15/14**
- (58) **Field of Classification Search**
USPC D15/10, 14-18; 56/12.8, 12.7, 13.4,
56/16.7, 17.5, 202, 254, 255, 294, 11.4,
56/320.1, 320.2, 249, 252, 11.9, 17.1,
56/17.4, 295; 280/43.17
CPC A01D 42/04; A01D 42/00; A01D 2101/00;
A01D 34/63; A01D 43/063
See application file for complete search history.

D544,501 S *	6/2007	Chung Lee	D15/14
D620,029 S *	7/2010	Baetica	D15/14
D627,371 S *	11/2010	Baetica	D15/17
D646,698 S *	10/2011	Park	D15/14
D648,354 S *	11/2011	Hattori	D15/17
D652,846 S *	1/2012	Stratford	D15/14
D653,265 S *	1/2012	Stratford	D15/14
D665,823 S *	8/2012	Hannig	D15/14
D834,071 S *	11/2018	Näslund	D15/14
D834,072 S *	11/2018	Näslund	D15/14
D907,666 S *	1/2021	Dai	D15/14

* cited by examiner

Primary Examiner — Mark A Goodwin

(56) **References Cited**

U.S. PATENT DOCUMENTS

D346,810 S *	5/1994	Schulz	D15/14
D390,576 S *	2/1998	Shimamura	D15/14
5,910,091 A *	6/1999	Iida	A01D 69/02 56/320.1
D421,265 S *	2/2000	Ohsumi	D15/14
D424,070 S *	5/2000	Danthois	D15/14
D450,064 S *	11/2001	Concari	D15/14
D489,734 S *	5/2004	Lin	D15/14
D508,924 S *	8/2005	Henssler	D15/14

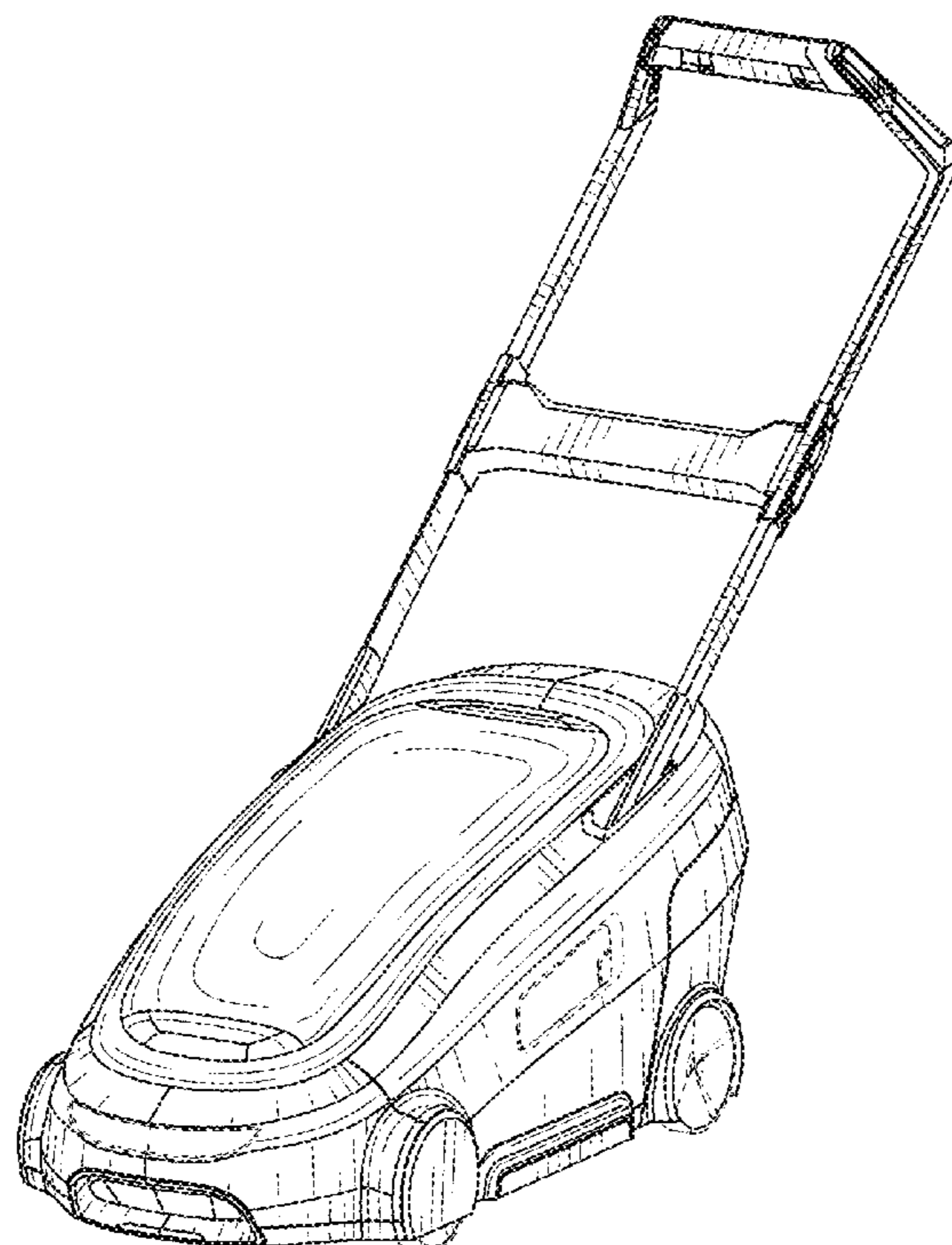
(57) **CLAIM**

The ornamental design for a solar lawnmower, as shown and described.

DESCRIPTION

FIG. 1 is a front-top-left perspective view of a solar lawnmower showing my new design;
 FIG. 2 is a rear-bottom-right perspective view thereof;
 FIG. 3 is a front elevational view thereof;
 FIG. 4 is a rear elevational view thereof;
 FIG. 5 is a left elevational view thereof;
 FIG. 6 is a right elevational view thereof;
 FIG. 7 is a top plan view thereof; and,
 FIG. 8 is a bottom plan view thereof.
 The broken lines showing cleats in FIG. 1 through 8 are included for the purpose of showing environmental structure and form no part of the claimed design.

1 Claim, 8 Drawing Sheets



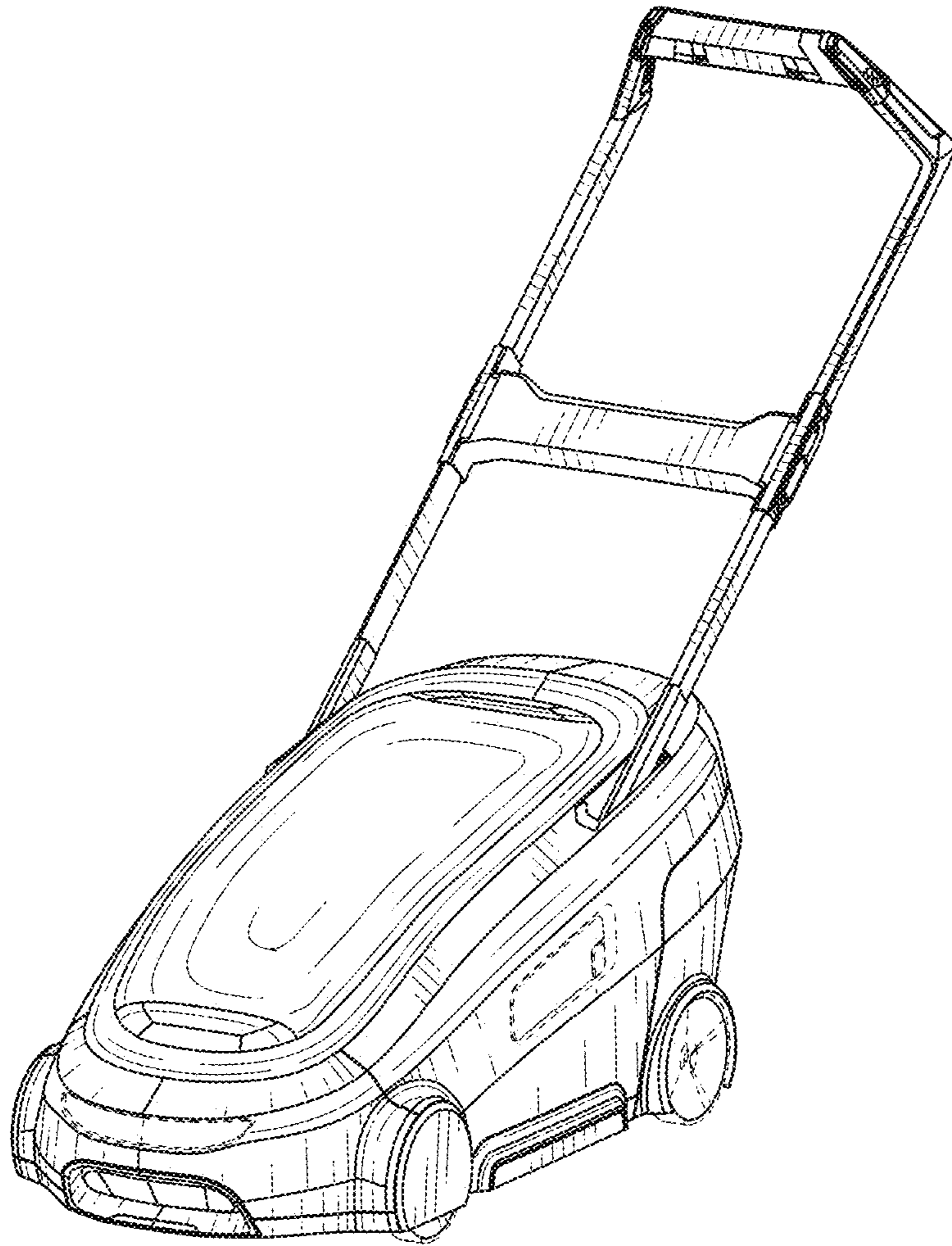


FIG. 1

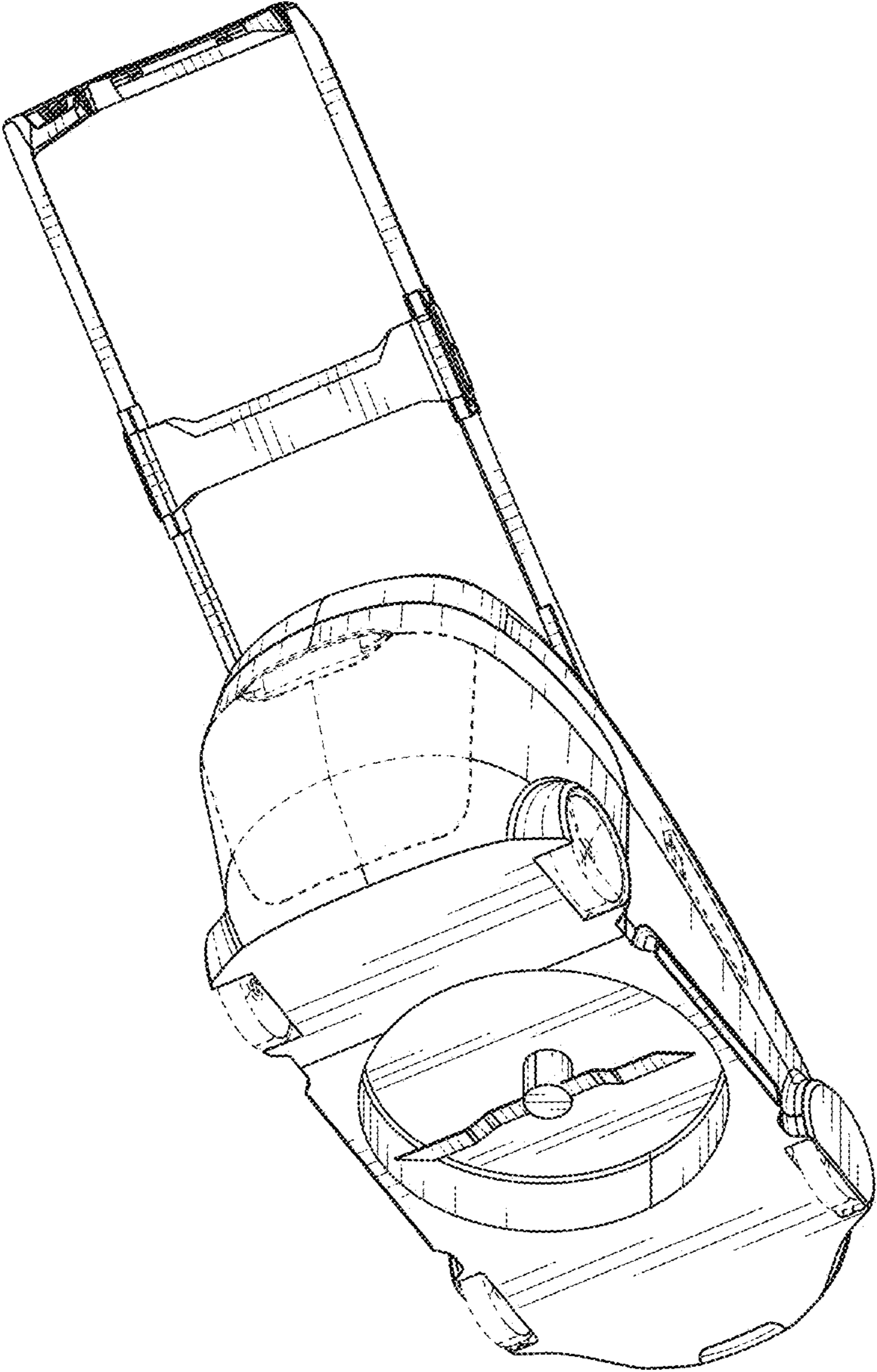


FIG. 2

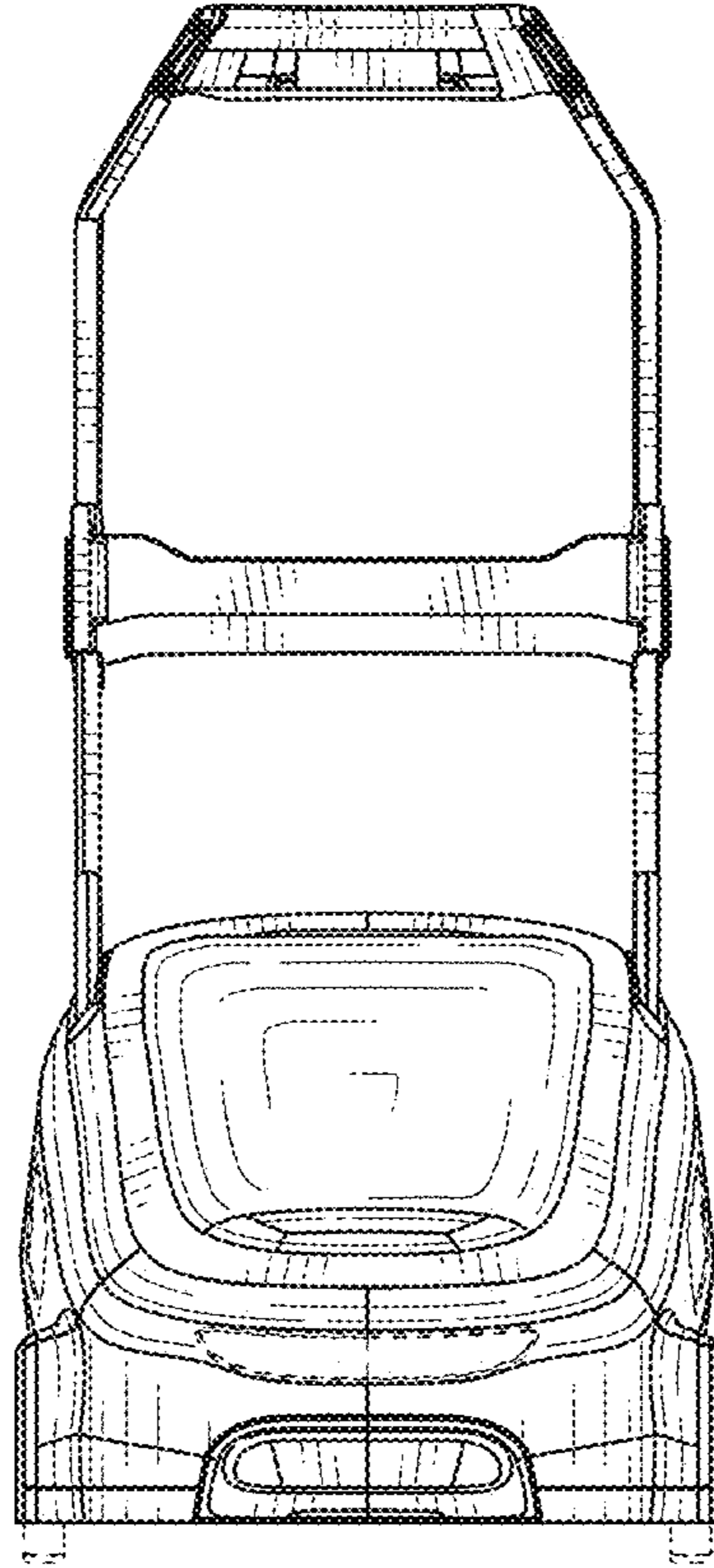


FIG. 3

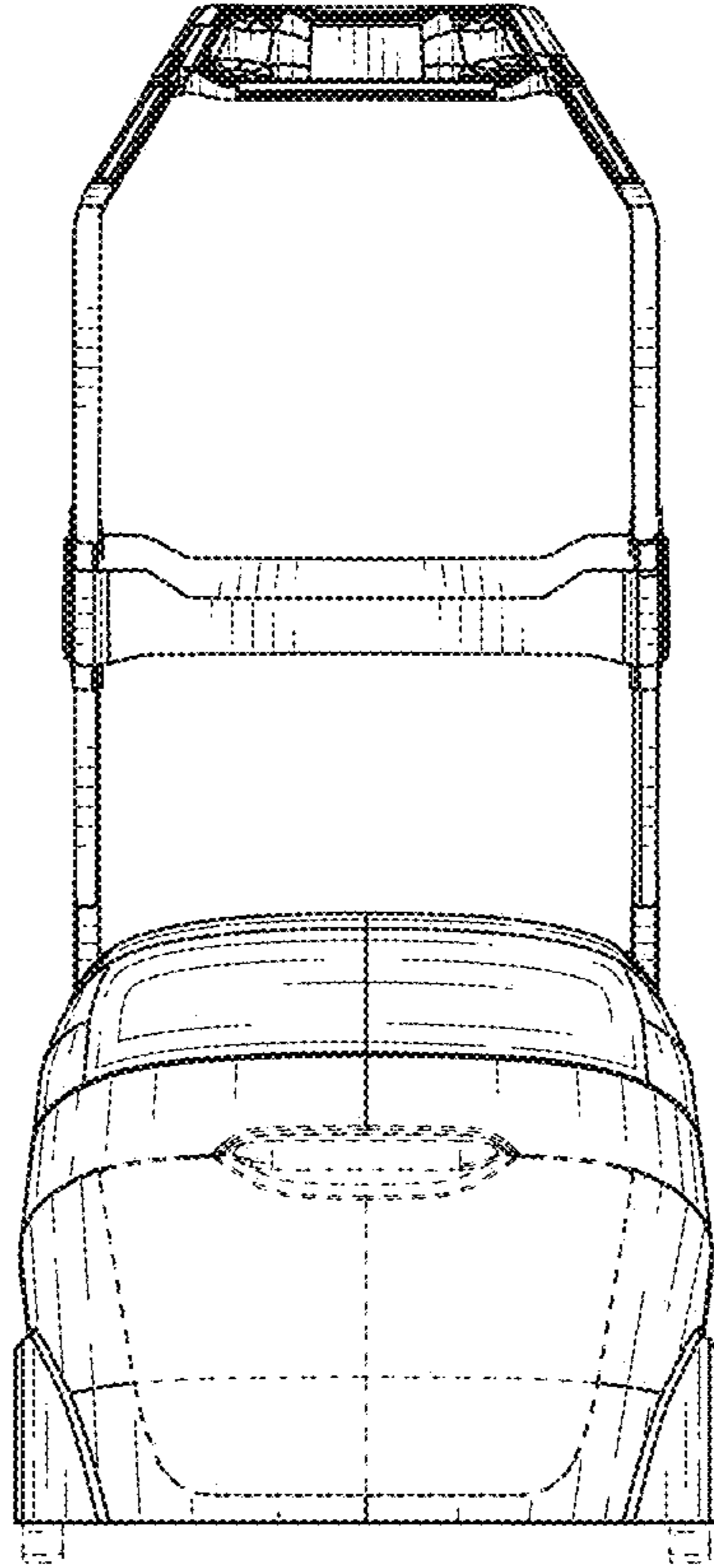


FIG. 4

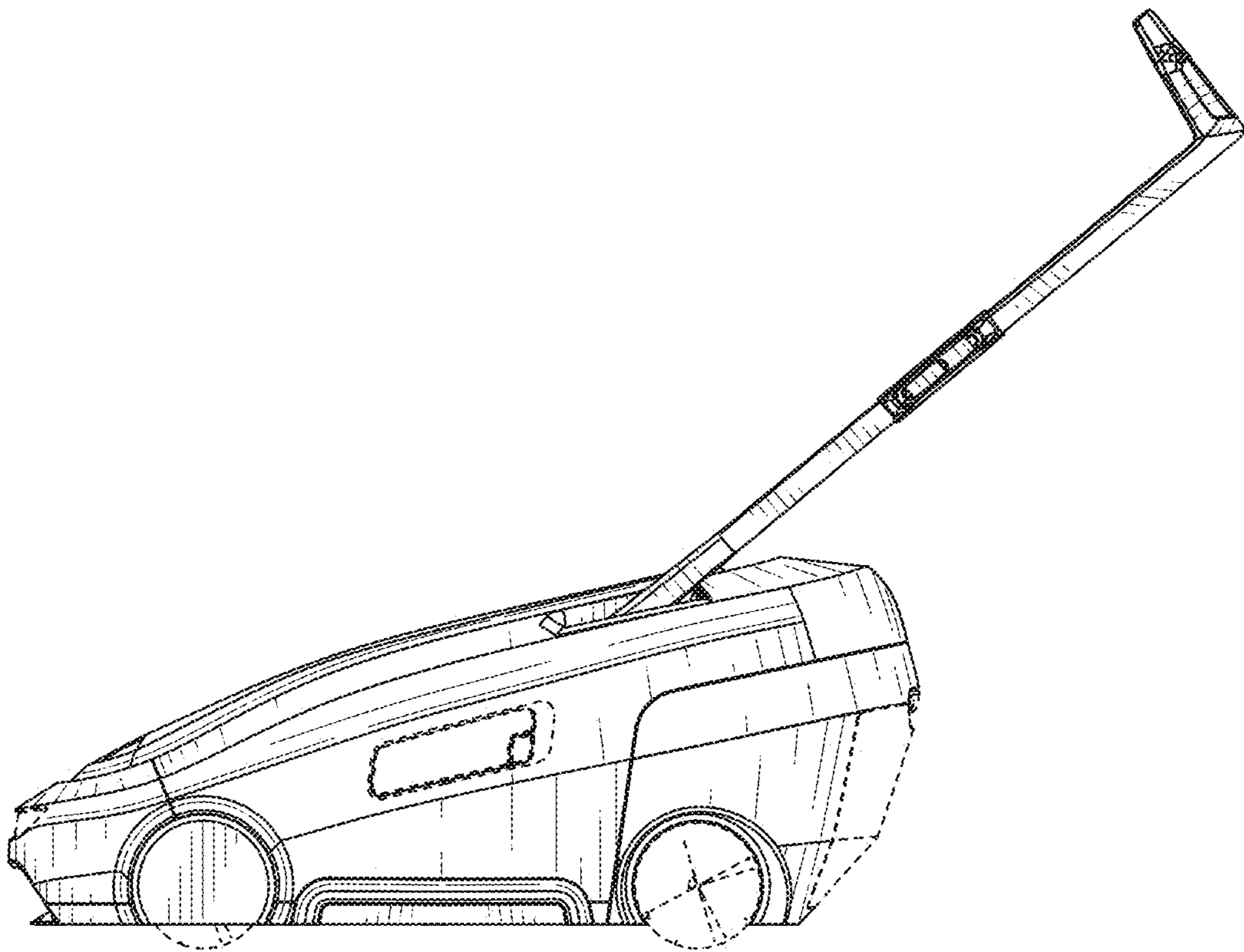


FIG. 5

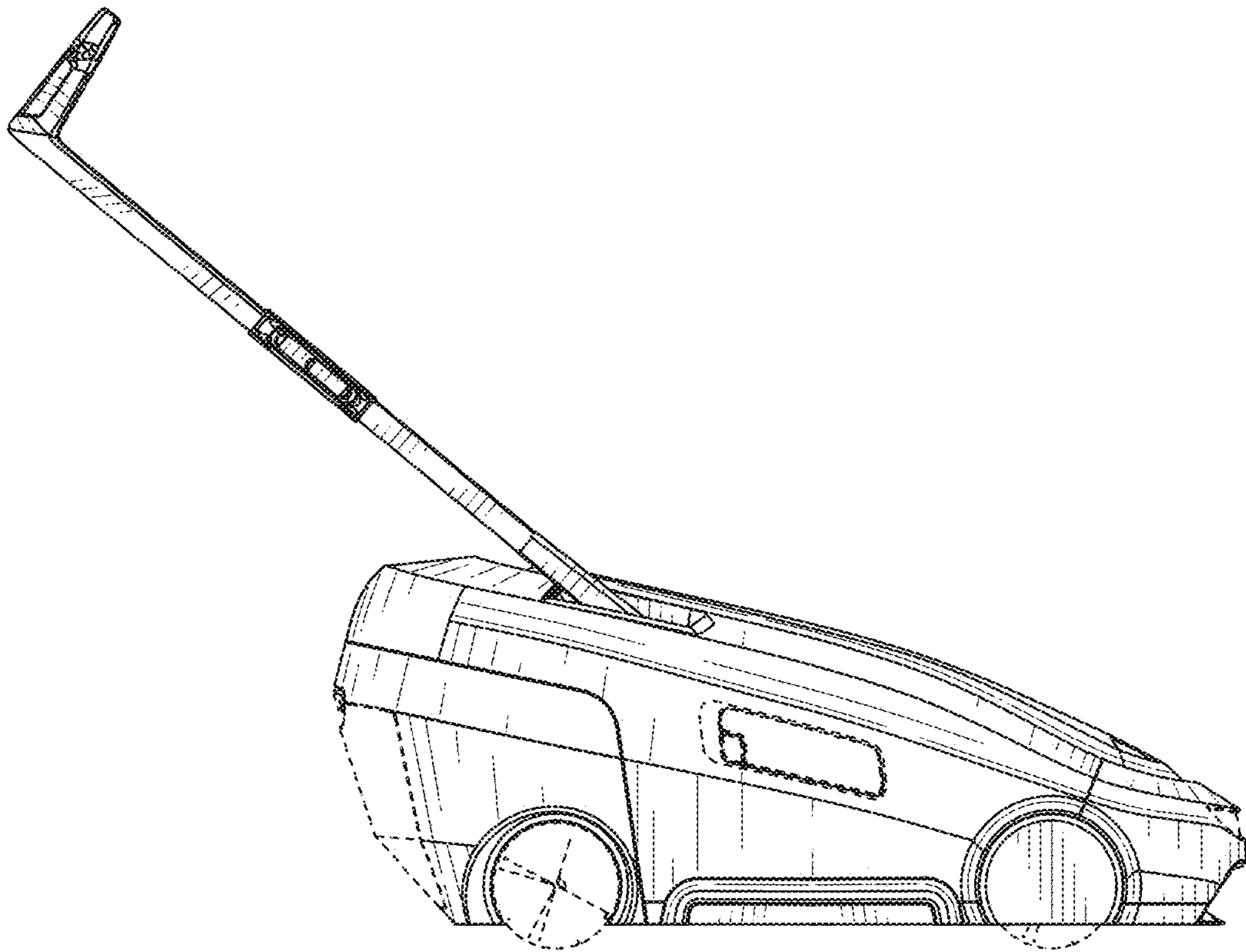


FIG. 6

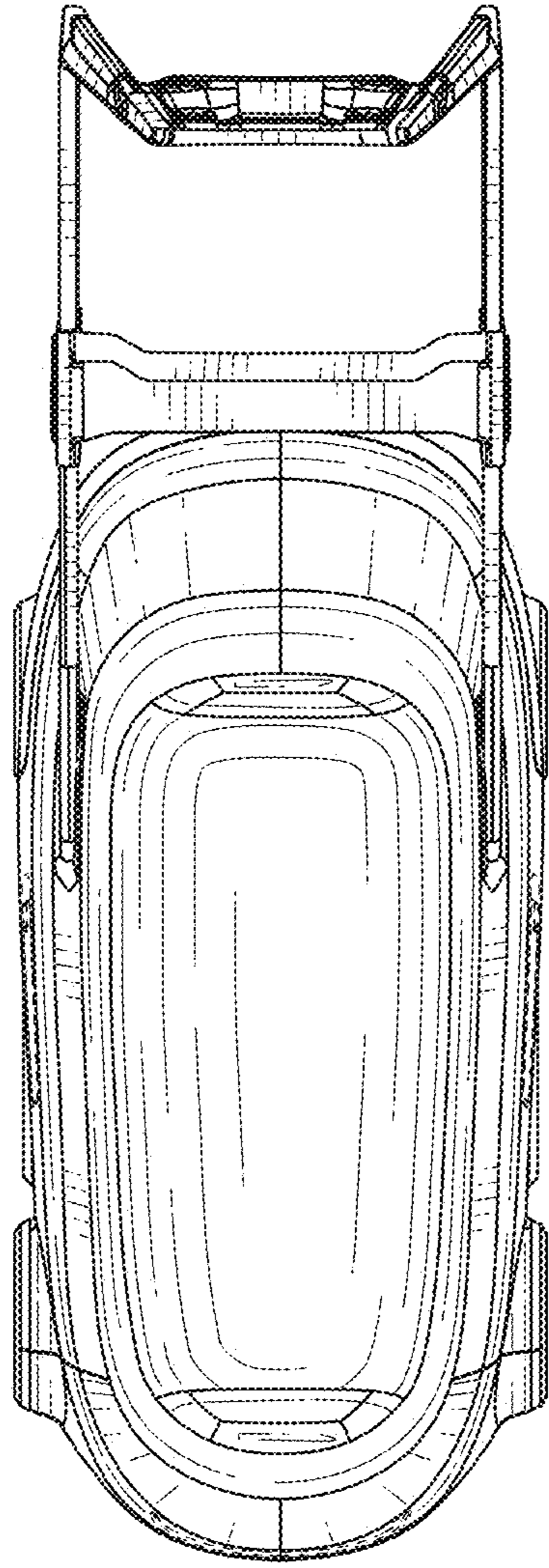


FIG. 7

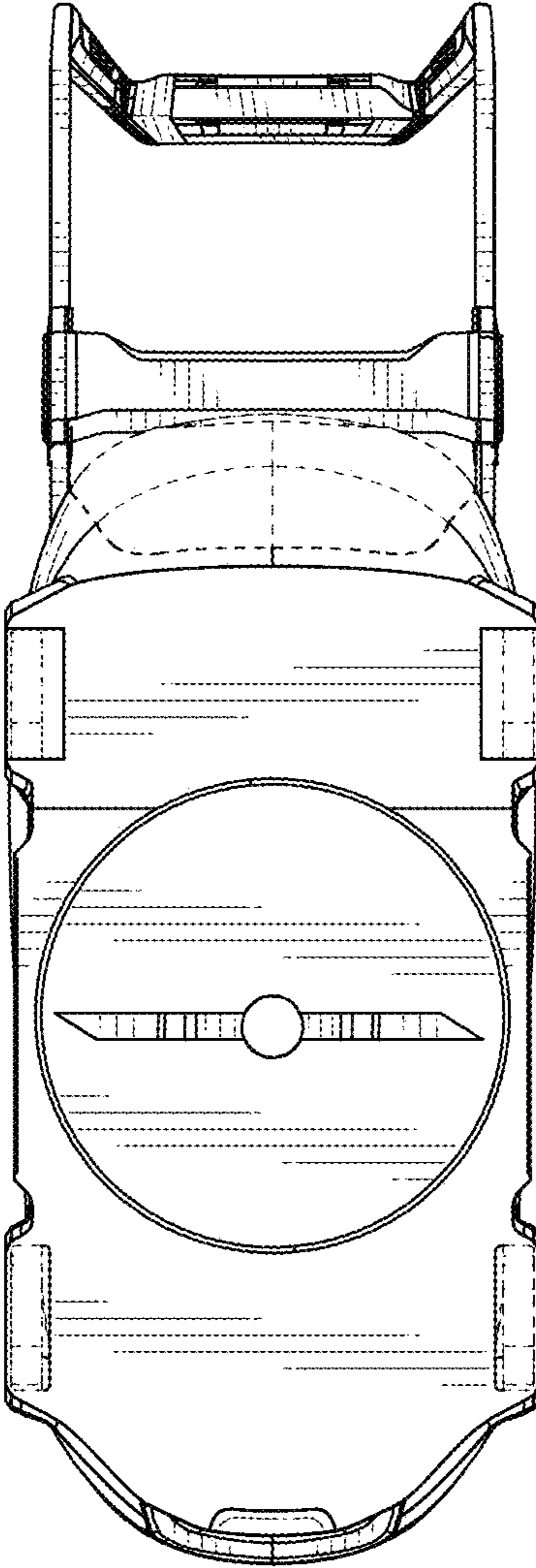


FIG. 8