

US00D964428S

(12) **United States Design Patent**
Gu

(10) **Patent No.:** **US D964,428 S**

(45) **Date of Patent:** **** Sep. 20, 2022**

(54) **POWER BANK FOR TIRE INFLATING PUMP**

(71) Applicant: **NINEBOT (BEIJING) TECH CO., LTD.**, Beijing (CN)

(72) Inventor: **Yiye Gu**, Beijing (CN)

(73) Assignee: **NINEBOT (BEIJING) TECH CO., LTD.**, Beijing (CN)

(**) Term: **15 Years**

(21) Appl. No.: **29/837,443**

(22) Filed: **May 5, 2022**

Related U.S. Application Data

(62) Division of application No. 35/511,637, filed on Sep. 30, 2020 (U.S. filing date under 35 U.S.C. 384), and having an international filing date of Sep. 30, 2020.

(30) **Foreign Application Priority Data**

Apr. 9, 2020 (CN) 202030136561.0

(51) **LOC (13) Cl.** **15-02**

(52) **U.S. Cl.**
USPC **D15/7**

(58) **Field of Classification Search**

USPC D15/7, 9; D13/103, 107, 108, 110, 119
CPC F16K 1/308; F16K 1/307; F16K 15/20;
F16K 1/305; Y10T 137/3662

See application file for complete search history.

(56) **References Cited**

U.S. PATENT DOCUMENTS

D587,193 S * 2/2009 McGinley D13/110
D602,430 S * 10/2009 Green D13/110
D643,807 S * 8/2011 Jiang D13/103
D655,243 S * 3/2012 Au D13/108
D665,734 S * 8/2012 Fitch D13/107

D680,070 S * 4/2013 Zaslavsky D13/110
D695,214 S * 12/2013 Roberts D13/107
D704,631 S * 5/2014 Levy D14/144
D705,725 S * 5/2014 Ryu D13/108
D708,129 S * 7/2014 Houghton D13/103
D711,824 S * 8/2014 Matsuoka D13/110
D734,259 S * 7/2015 Cypress D13/110
D734,367 S * 7/2015 Jhou D15/9
D763,190 S * 8/2016 Akana D13/110
D778,835 S * 2/2017 Akana D13/110
D798,233 S * 9/2017 Huang D13/108

(Continued)

OTHER PUBLICATIONS

“Fanttik X8 Apex Tire Inflator Portable Air Compressor, 2X Faster Inflation, 150PSI Cordless Tire Inflator with LCD Dual Screen, Suitable for Cars(Gas/Diesel/Electric), E-bikes, Balls, Motorcycles” [online]. Fanttik. [Product first available on Nov. 16, 2021]. Retrieved from the Internet: <<https://www.amazon.com/dp/B09LXJPVTP>>.*

(Continued)

Primary Examiner — Mojtaba Tehrani

(74) *Attorney, Agent, or Firm* — Frost Brown Todd LLC

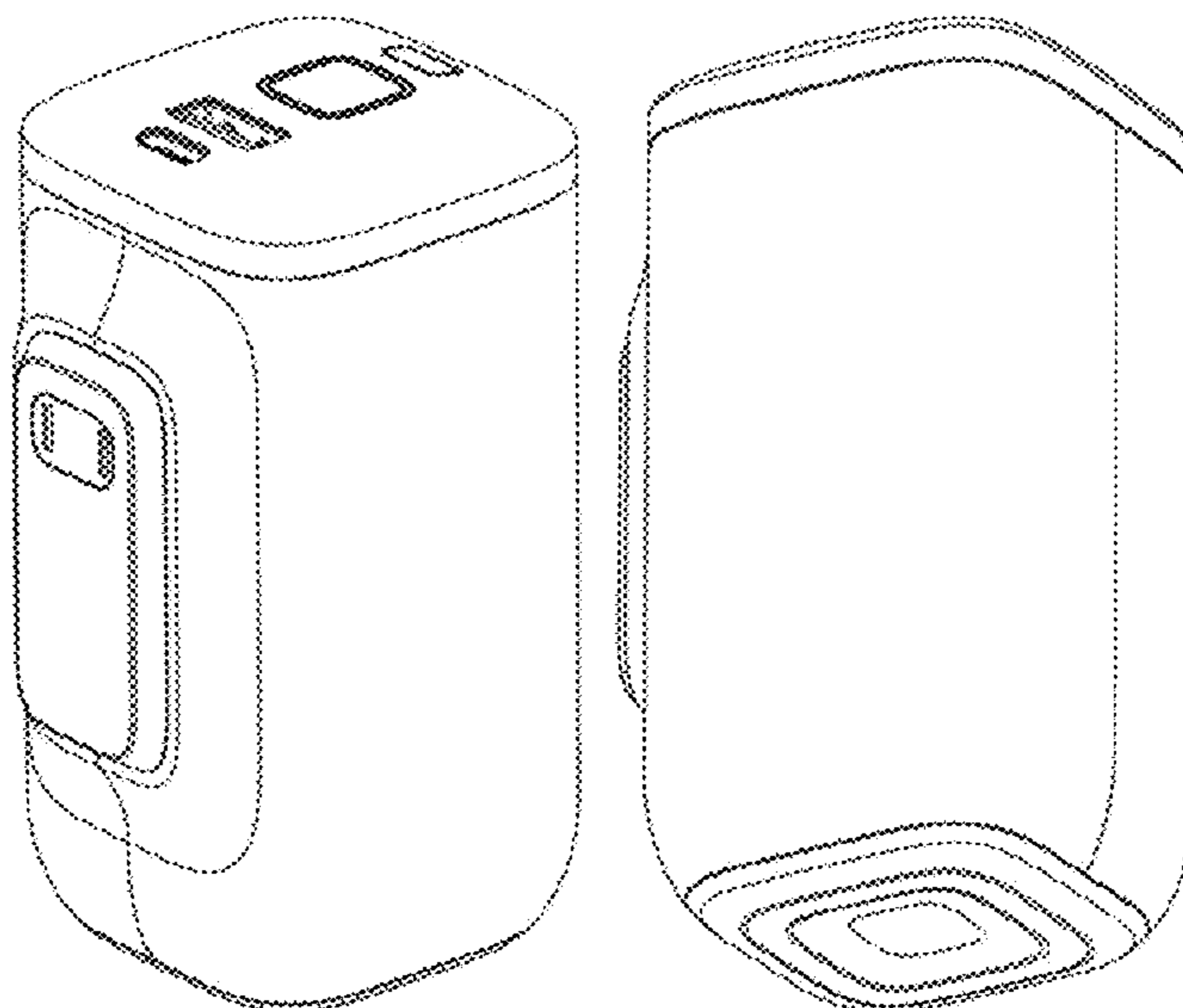
(57) **CLAIM**

The ornamental design for a power bank for tire inflating pump, as shown and described.

DESCRIPTION

FIG. 1 is a front elevation view of a power bank for tire inflating pump;
FIG. 2 is a rear elevation view thereof;
FIG. 3 is a left side elevation view thereof;
FIG. 4 is a right side elevation view thereof;
FIG. 5 is a top plan view thereof;
FIG. 6 is a bottom plan view thereof;
FIG. 7 is a first perspective view thereof; and,
FIG. 8 is a second perspective view thereof.

1 Claim, 3 Drawing Sheets



(56)

References Cited

U.S. PATENT DOCUMENTS

D820,208 S * 6/2018 Lemelson D13/110
 D827,565 S * 9/2018 Eliyahu D13/103
 D827,569 S * 9/2018 Roberts D13/103
 D838,746 S * 1/2019 Gan D15/7
 D842,243 S * 3/2019 Qiu D27/162
 D856,273 S * 8/2019 Houghton D13/103
 D872,017 S * 1/2020 Huang D13/110
 D879,712 S * 3/2020 Fan D13/108
 D888,666 S * 6/2020 Zhang D13/110
 D892,724 S * 8/2020 Chuang D13/103
 D892,735 S * 8/2020 Zhang D13/108
 D896,171 S * 9/2020 Huang D13/108
 D897,957 S * 10/2020 Yang D13/110
 D899,358 S * 10/2020 Reilly D13/108
 D903,588 S * 12/2020 Shoemake D13/103
 D911,950 S * 3/2021 Zhang D13/103
 D916,933 S * 4/2021 Sun D15/7
 D916,934 S * 4/2021 Sun D15/7
 D917,388 S * 4/2021 Bonilla D13/108
 D922,945 S * 6/2021 Sun D13/103

D926,129 S * 7/2021 Huang D13/110
 D926,130 S * 7/2021 Huang D13/110
 D931,201 S * 9/2021 Xu D13/110
 D936,002 S * 11/2021 Guo D13/108
 D936,569 S * 11/2021 Liu D27/101
 D936,591 S * 11/2021 Zhang D13/110
 D936,706 S * 11/2021 Swatosch D15/7
 D941,241 S * 1/2022 Wu D13/108
 D941,242 S * 1/2022 Guo D13/108
 D942,388 S * 2/2022 Li D13/108
 D948,428 S * 4/2022 Li D13/108
 D951,182 S * 5/2022 Gong D13/103

OTHER PUBLICATIONS

“Ryseab Tire Inflator Portable Air Compressor for Car Tire, [Cordless & Strong Power] Air Pump for Car Tire with 6000mAh Battery [Fast inflate 150PSI] Tire Pump with LED Light for Car Bike Motor Ball” [online]. Ryseab. [Product first available on Aug. 9, 2021]. Retrieved from the Internet: <<https://www.amazon.com/dp/B09C6C6BR1>>.*

* cited by examiner

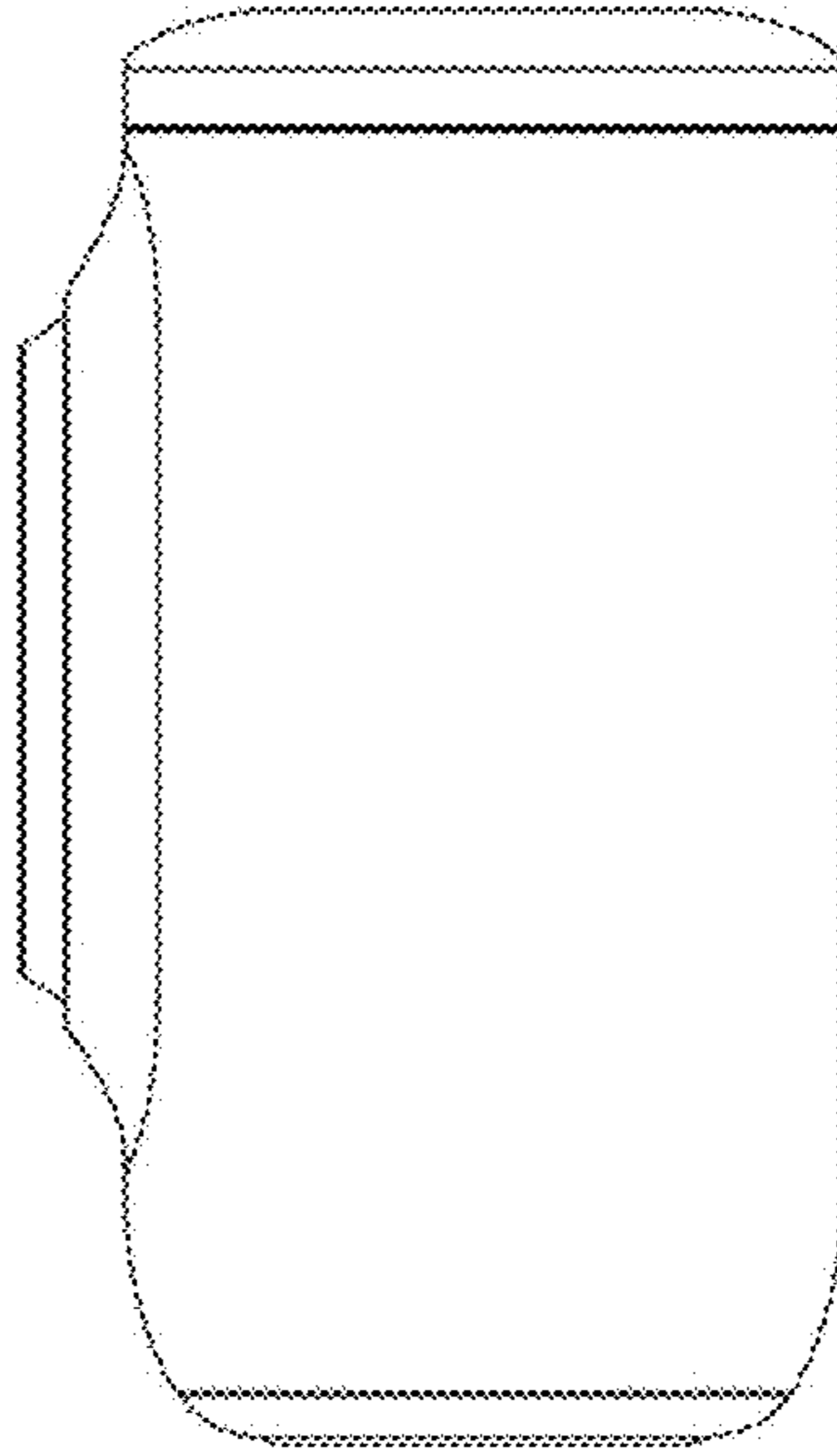


FIG. 1

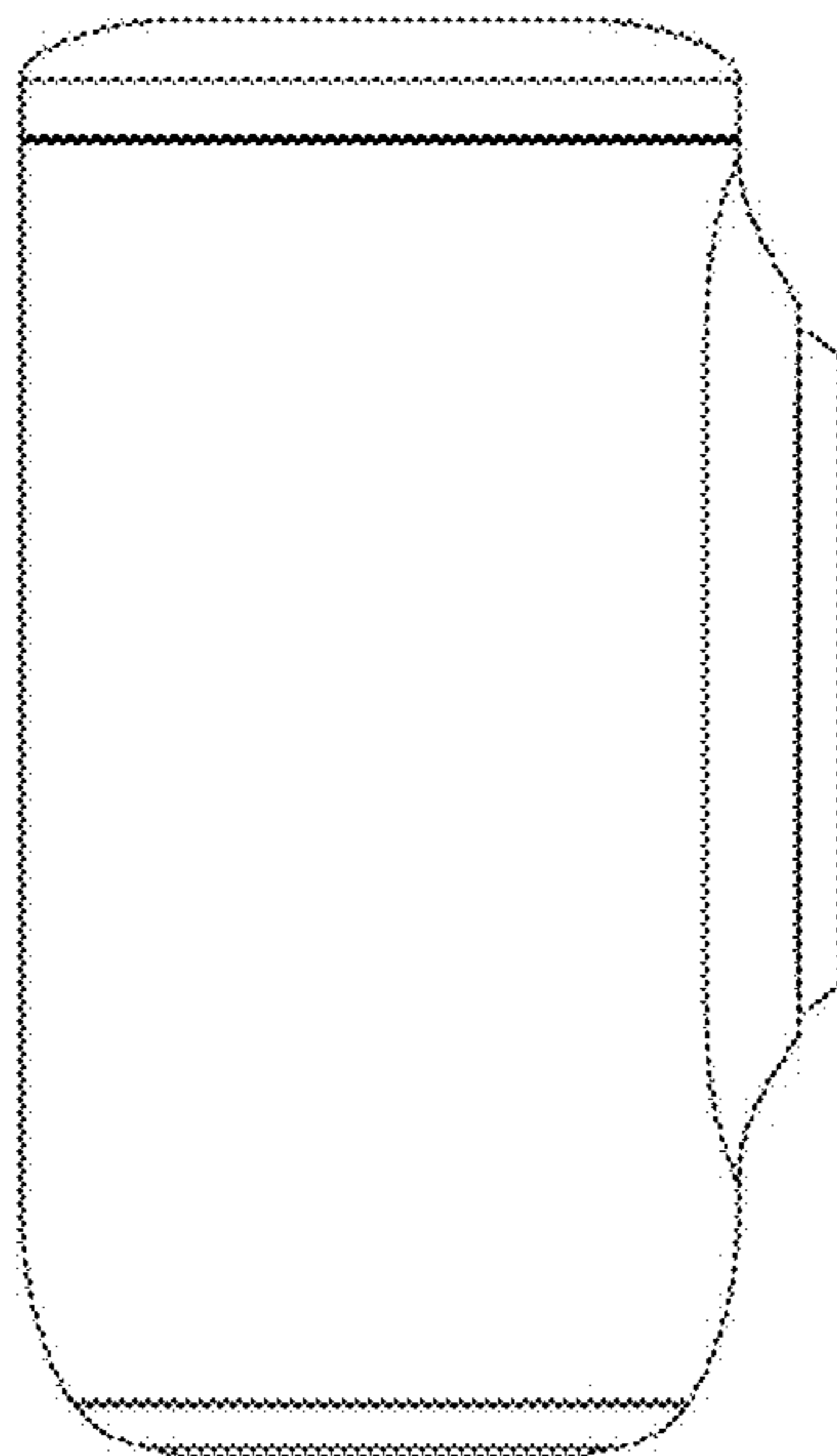


FIG. 2

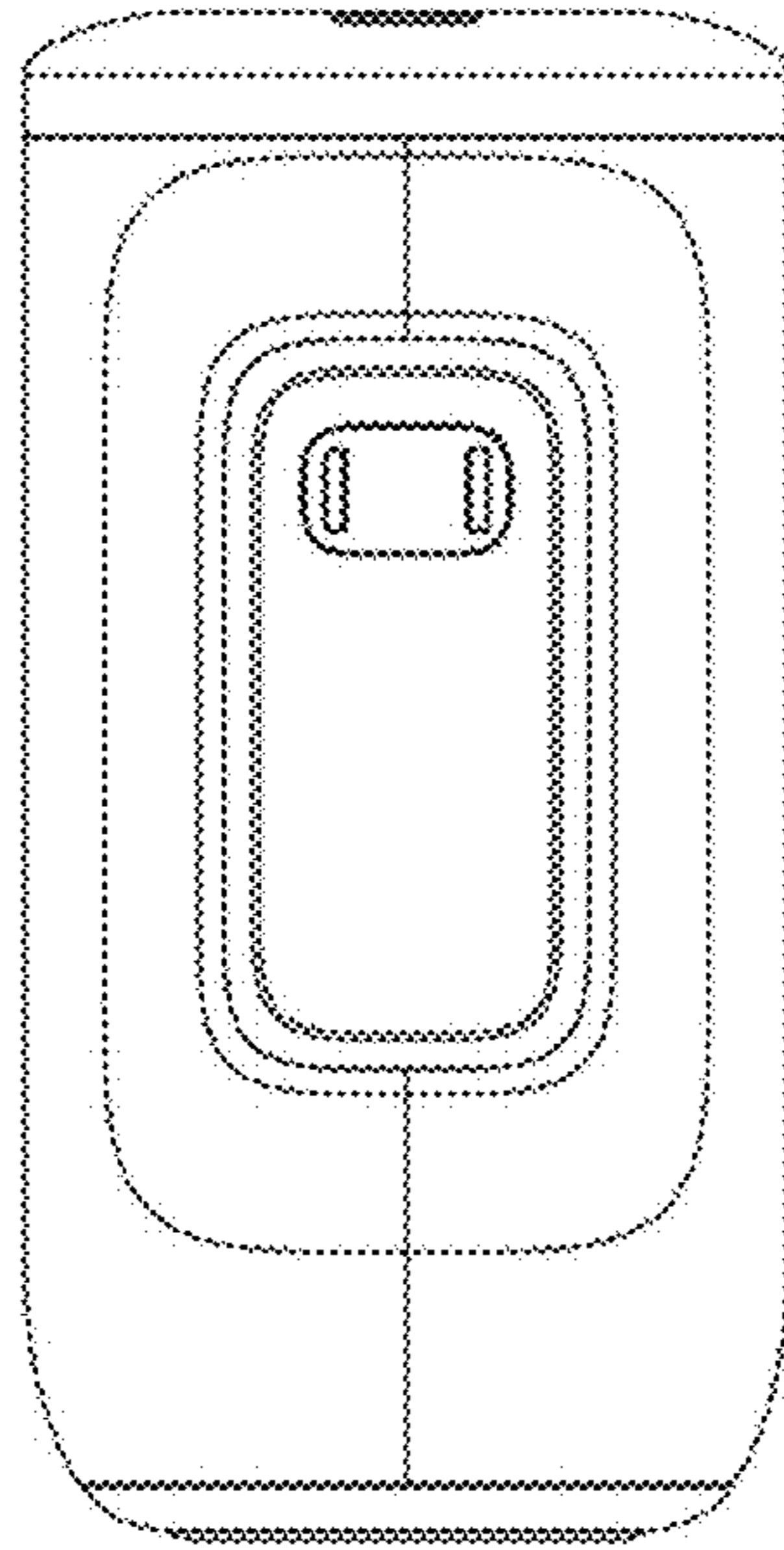


FIG. 3

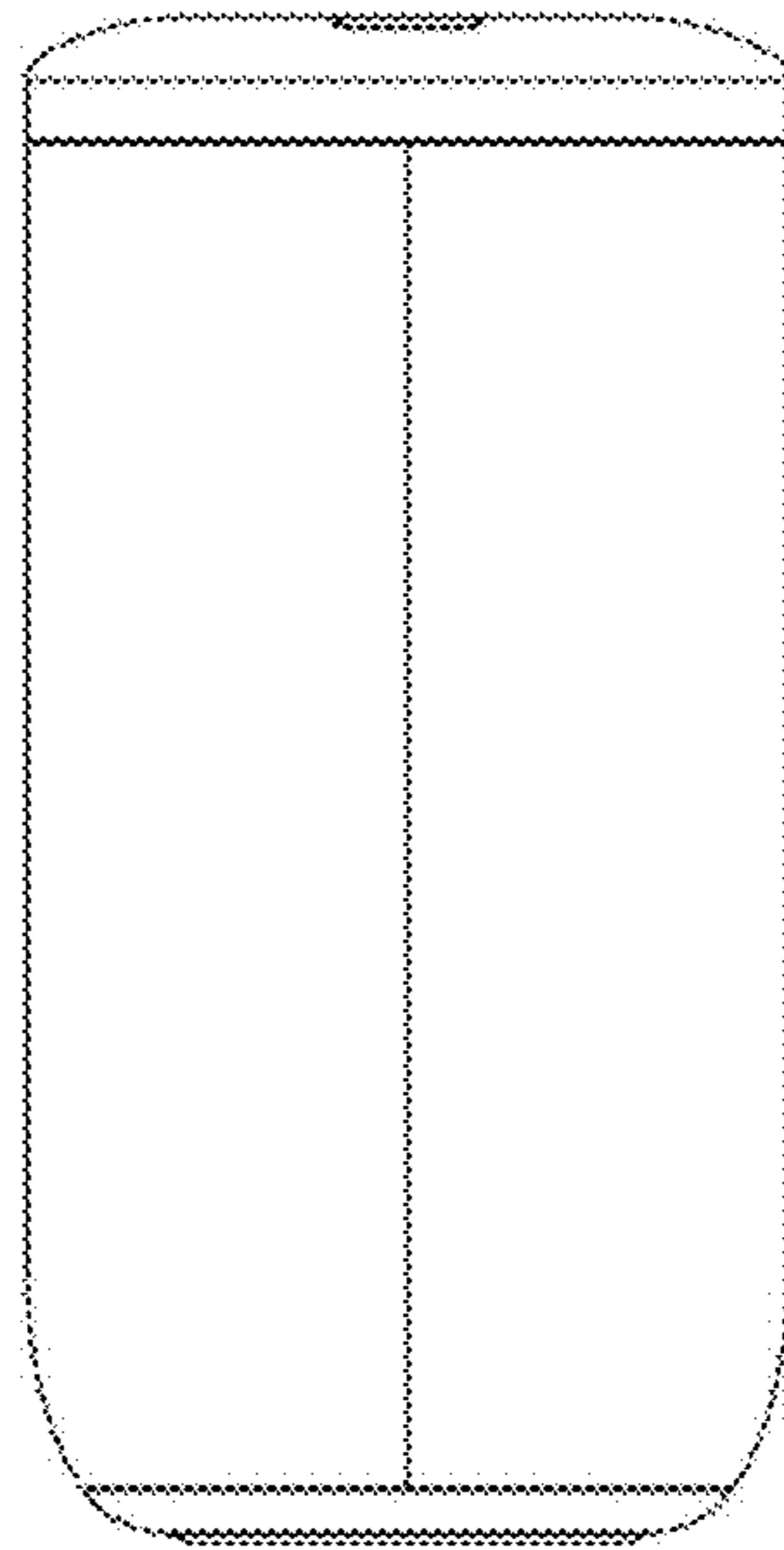


FIG. 4

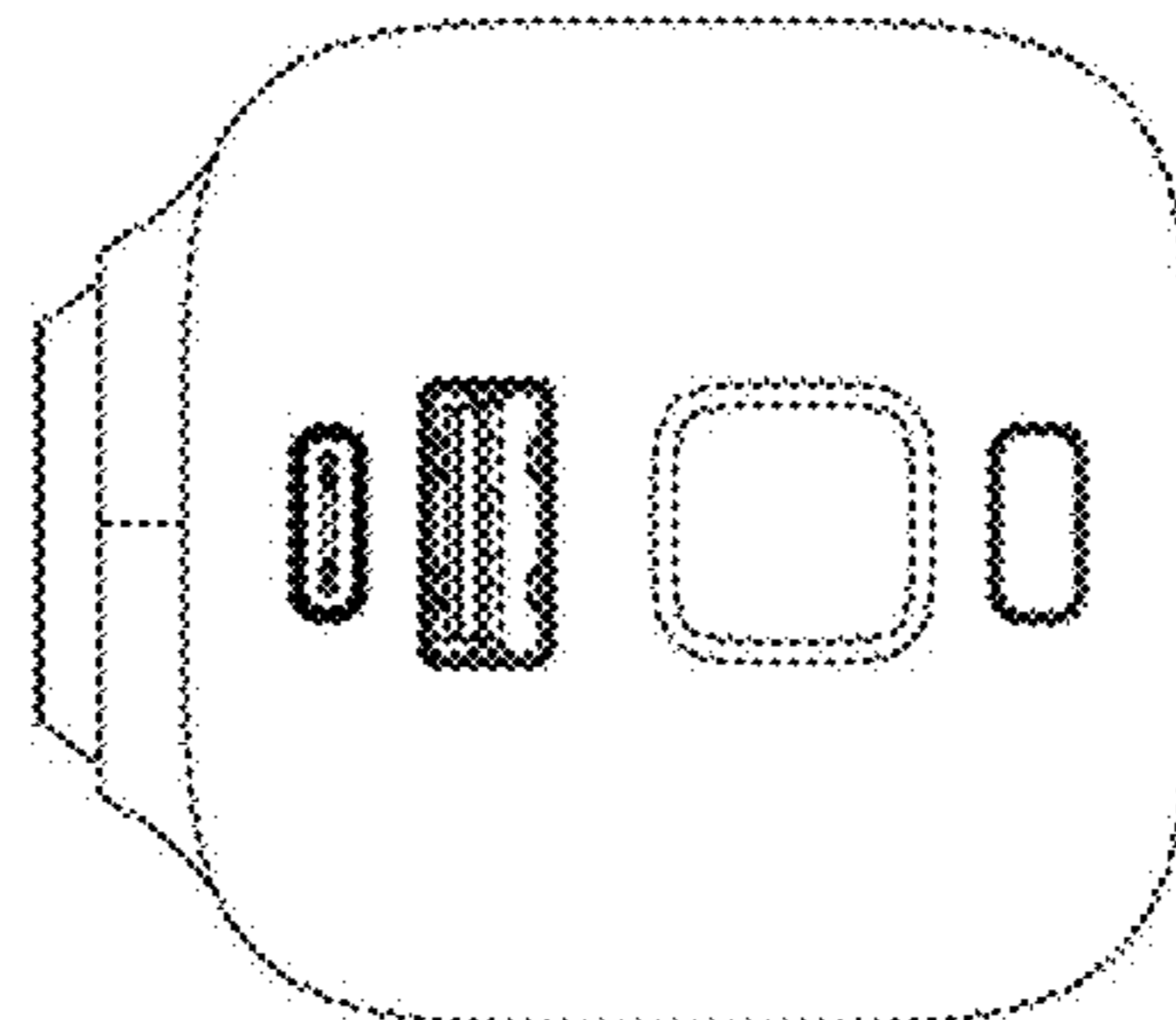


FIG. 5

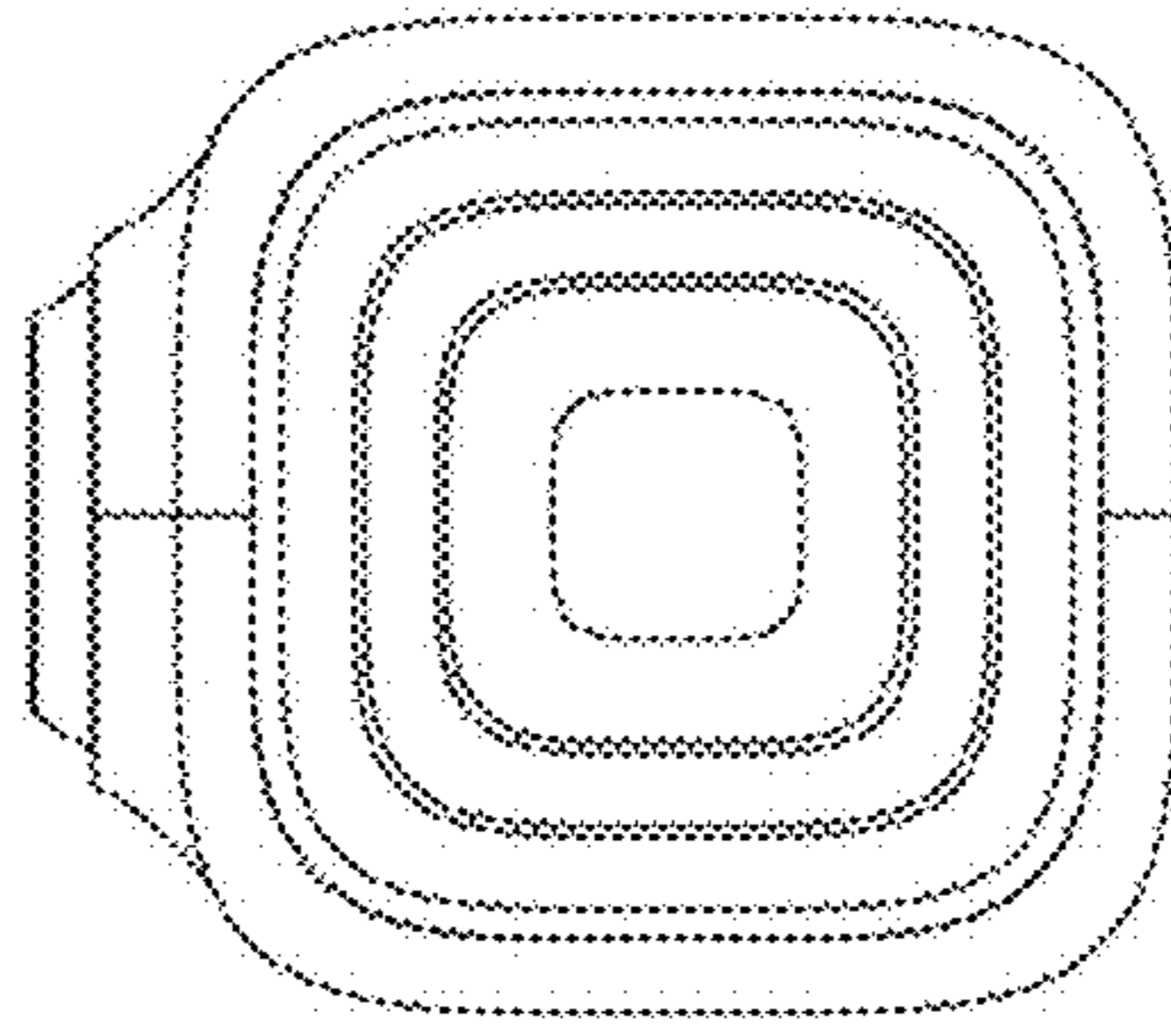


FIG. 6

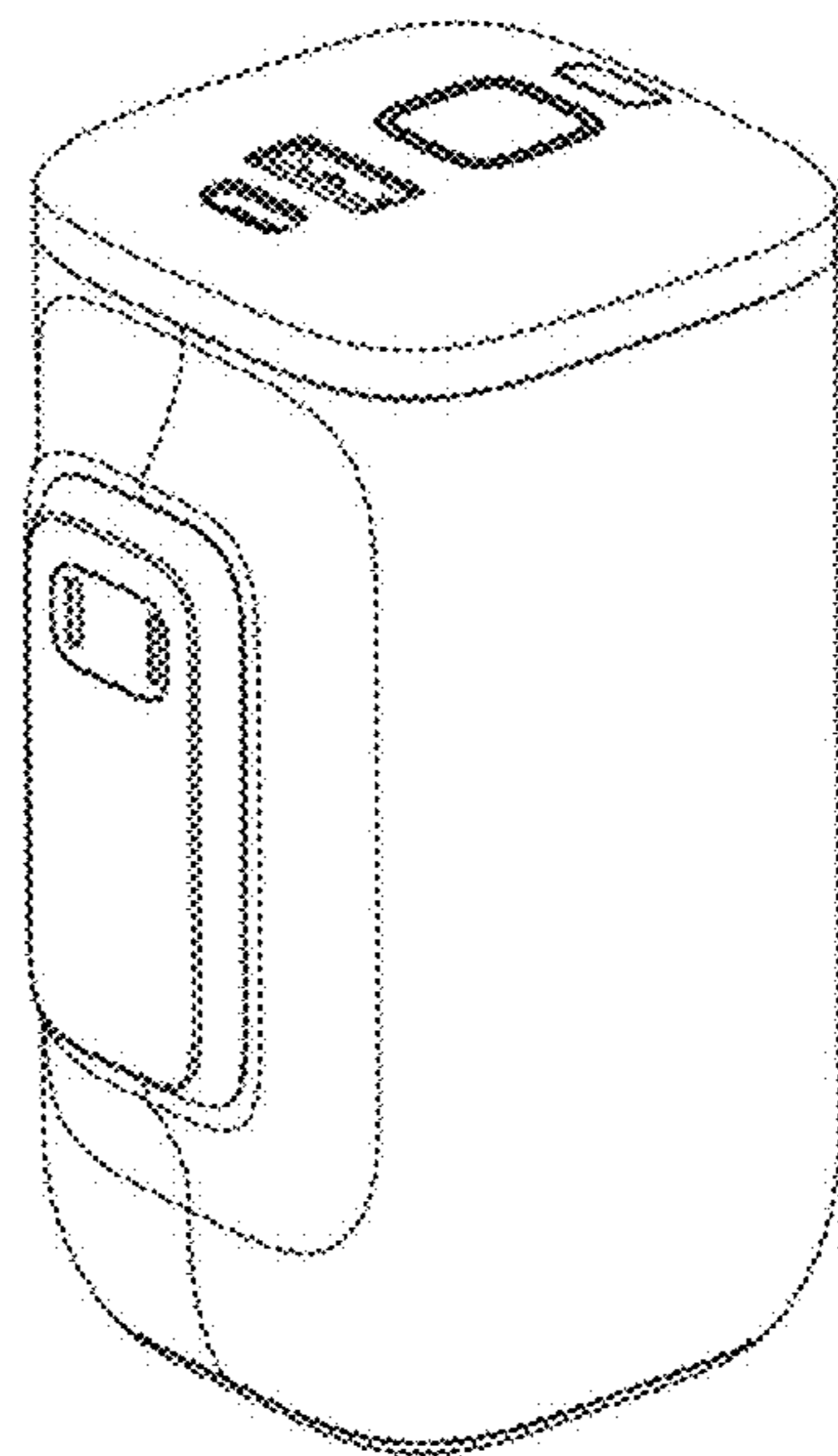


FIG. 7

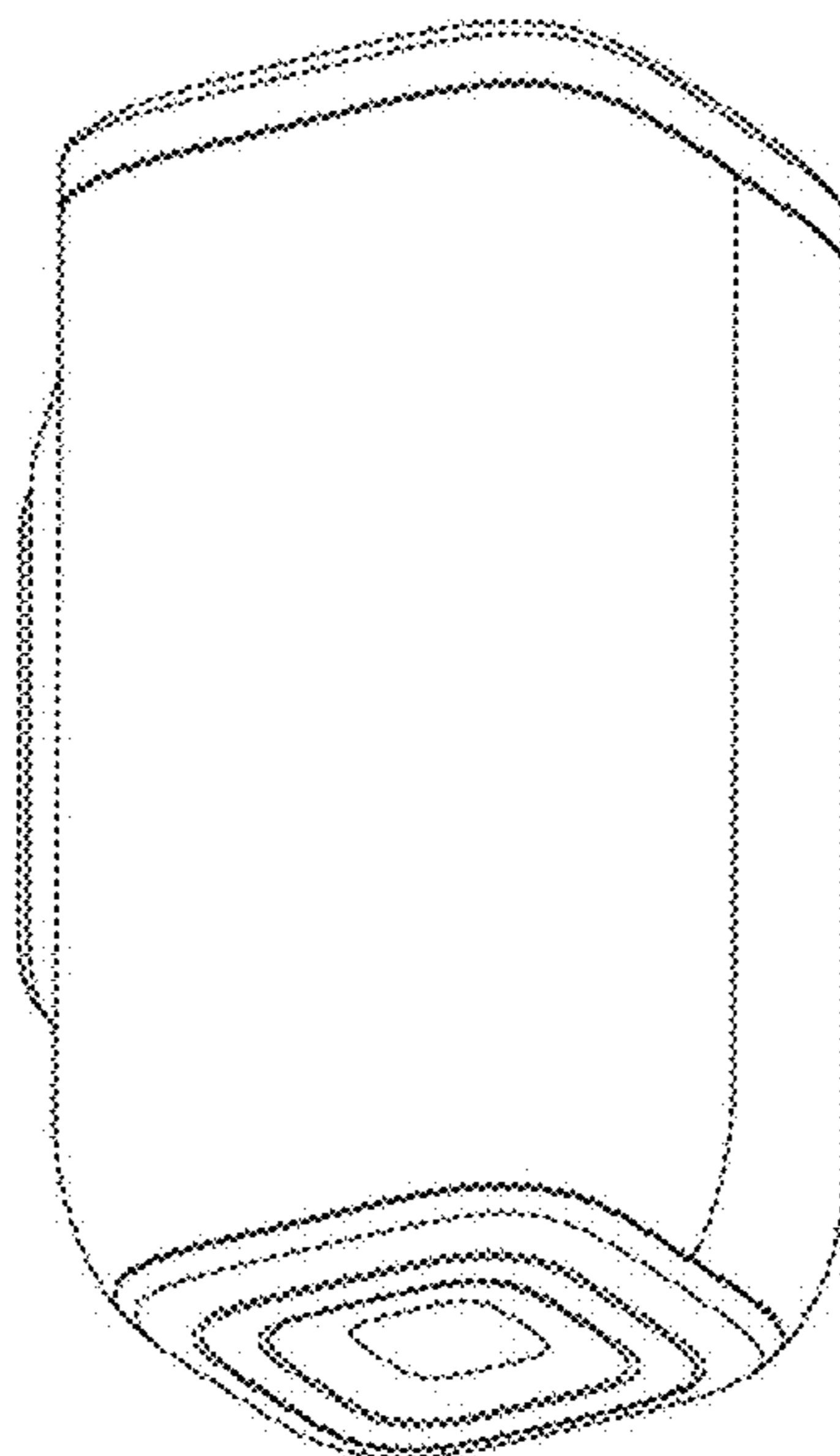


FIG. 8