



US00D964389S

(12) **United States Design Patent**  
**Oshima et al.**

(10) **Patent No.:** **US D964,389 S**  
(45) **Date of Patent:** **\*\* Sep. 20, 2022**

(54) **DISPLAY SCREEN OR PORTION THEREOF WITH GRAPHICAL USER INTERFACE**

21/4316; H04N 21/4532; H04N 21/4622;  
H04N 21/47; H04N 21/478; H04N  
21/482;

(71) Applicant: **Audio-Technica Corporation**, Tokyo (JP)

(Continued)

(72) Inventors: **Katsuyuki Oshima**, Tokyo (JP); **Eisuke Shiga**, Tokyo (JP); **Ryosuke Shimizu**, Tokyo (JP)

(56) **References Cited**

U.S. PATENT DOCUMENTS

D719,180 S \* 12/2014 Liang ..... D14/486  
D734,353 S \* 7/2015 Soojun ..... D14/486  
9,335,887 B2 \* 5/2016 Kwak ..... G06F 1/1618

(Continued)

(73) Assignee: **Audio-Technica Corporation**, Tokyo (JP)

(\*\*) Term: **15 Years**

OTHER PUBLICATIONS

(21) Appl. No.: **29/770,903**

“Audio Solutions Question of the Week: What Are the New A-T Connect App Features for the ATH-M50xBT2?” audio-technica.com. Available Sep. 9, 2021. Retrieved May 11, 2022 online via Internet Archive Wayback Machine at URL: <https://web.archive.org/web/20210909232716/https://www.audio-technica.com/en-us/support/audio-solutions-question-of-the-week-what-are-the-new-a-t-connect-app-features-for-the-ath-m50xbt2/> (Year: 2021).\*

(22) Filed: **Feb. 17, 2021**

(30) **Foreign Application Priority Data**

Aug. 27, 2020 (JP) ..... 2020-018075

(51) **LOC (13) Cl.** ..... **14-04**

(52) **U.S. Cl.**  
USPC ..... **D14/485**

*Primary Examiner* — Christian P. McLean

(74) *Attorney, Agent, or Firm* — WCF IP

(58) **Field of Classification Search**

USPC ..... D14/485–495

CPC .... G06F 3/048; G06F 3/0481; G06F 3/04812; G06F 3/04815; G06F 3/04817; G06F 3/0482; G06F 3/0483; G06F 3/0484; G06F 3/04842; G06F 3/04845; G06F 3/04847; G06F 3/0485; G06F 3/04855; G06F 3/0486; G06F 3/04886; G06Q 30/00; G06Q 30/02; G06Q 30/0237; G06Q 30/0238; G06Q 30/0239; H03J 1/00; H03J 1/0008; H03J 1/0016; H03J 1/0025; H04N 5/00; H04N 5/08; H04N 5/14; H04N 5/222; H04N 5/225; H04N 5/232; H04N 5/23222; H04N 5/23293; H04N 5/232933; H04N 5/232935; H04N 5/445; H04N 5/44504; H04N 5/45; H04N 21/00; H04N 21/234; H04N 21/431; H04N 21/4312; H04N 21/4314; H04N

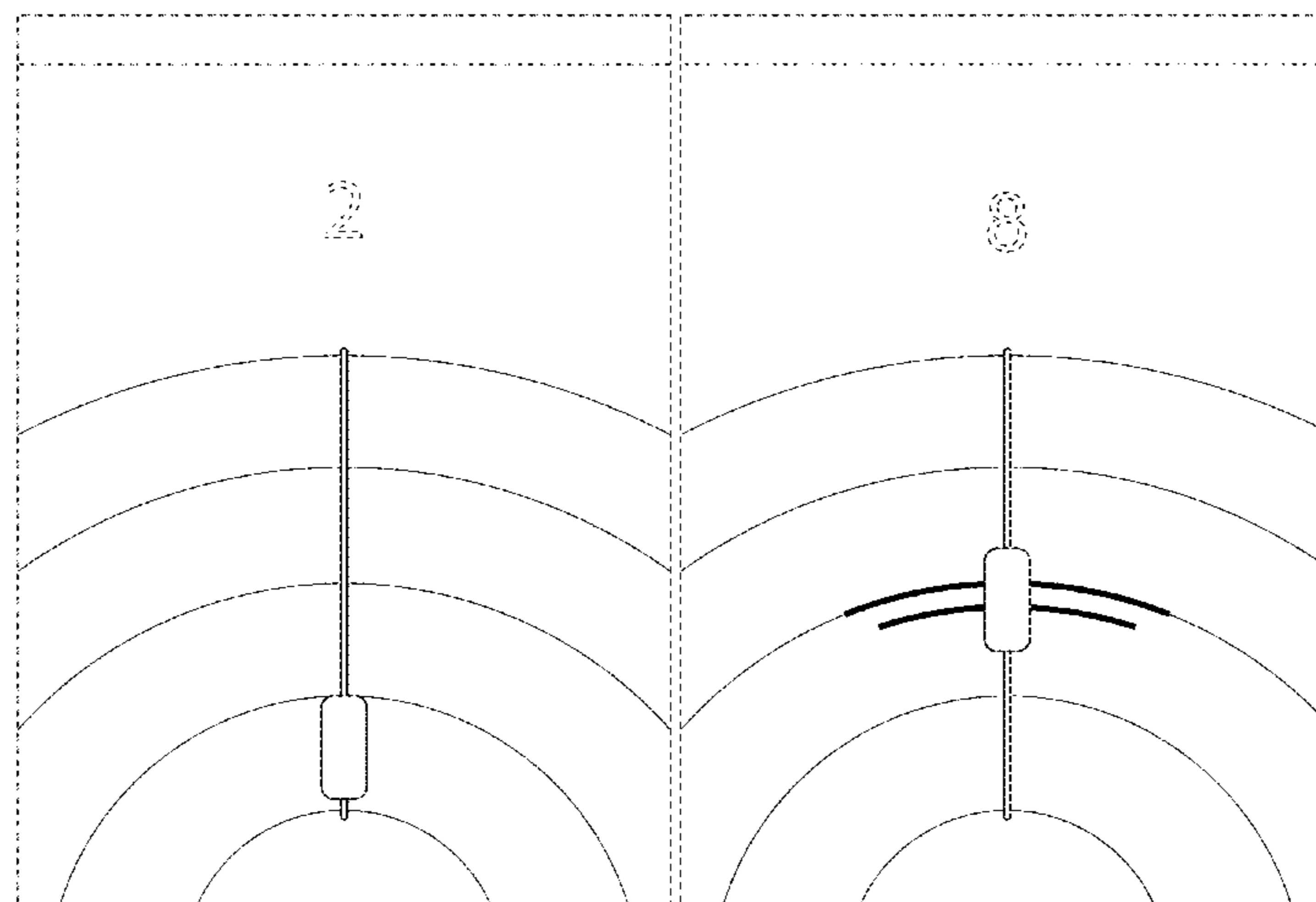
(57) **CLAIM**

The ornamental design for a display screen or portion thereof with graphical user interface, as shown and described.

**DESCRIPTION**

FIG. 1 is a front view of a display screen or portion thereof with graphical user interface, showing our new design; FIG. 2 is another embodiment thereof; FIG. 3 is another embodiment thereof; FIG. 4 is another embodiment thereof; FIG. 5 is another embodiment thereof; and, FIG. 6 is a front view of an electronic device having the display screen of FIG. 1.

(Continued)



The broken line showing of a display screen, electronic device, and portions of a graphical user interface form no part of the claimed design.

**1 Claim, 6 Drawing Sheets**

**(58) Field of Classification Search**

CPC ..... H04N 21/4884; H04N 21/4888; H04N 21/4856; H04N 21/485; H04N 21/6547  
See application file for complete search history.

**(56) References Cited**

U.S. PATENT DOCUMENTS

D759,061 S *	6/2016	Sahoo .....	D14/485
D765,115 S *	8/2016	Pierson .....	D14/486
D766,289 S *	9/2016	Bauer .....	D14/486
D766,945 S *	9/2016	Um .....	D14/486
D766,951 S *	9/2016	Wang .....	D14/486
D768,148 S *	10/2016	Jung .....	D14/485
D768,185 S *	10/2016	Lee .....	D14/487
D768,652 S *	10/2016	Yang .....	D14/485
D769,885 S *	10/2016	Zhu .....	D14/485
D779,516 S *	2/2017	Pierson .....	D14/486
D781,316 S *	3/2017	Kim .....	D14/486

D783,630 S *	4/2017	Ahn .....	D14/485
D786,297 S *	5/2017	Lim .....	D14/487
D788,154 S *	5/2017	Kim .....	D14/487
D799,498 S *	10/2017	Graham .....	D14/485
D800,751 S *	10/2017	Hersh .....	D14/486
D800,752 S *	10/2017	Hersh .....	D14/486
D800,753 S *	10/2017	Hersh .....	D14/486
D812,079 S *	3/2018	Felt .....	D14/486
D846,585 S *	4/2019	Hong .....	D14/486
D852,817 S *	7/2019	Aoshima .....	D14/485
D852,818 S *	7/2019	Aoshima .....	D14/485
D852,821 S *	7/2019	Anderson .....	D14/485
D854,551 S *	7/2019	Pistiner .....	D14/485
10,503,363 B2 *	12/2019	Wajda .....	G06F 3/04842
D895,649 S *	9/2020	Jetly .....	D14/487
D910,031 S *	2/2021	Guzman .....	D14/485
D911,354 S *	2/2021	Plaisance .....	D14/485
D921,655 S *	6/2021	Giffels .....	D14/485
D930,015 S *	9/2021	Park .....	D14/485
D932,503 S *	10/2021	Plaisance .....	D14/485
D938,491 S *	12/2021	Dai .....	D14/492
D941,352 S *	1/2022	Miura .....	D14/488
D946,011 S *	3/2022	Yoon .....	D14/485
D946,612 S *	3/2022	Jager .....	D14/487
D947,242 S *	3/2022	Heo .....	D14/492
D948,531 S *	4/2022	Rivers .....	D14/485
D950,582 S *	5/2022	Chang .....	D14/491

\* cited by examiner

FIG. 1

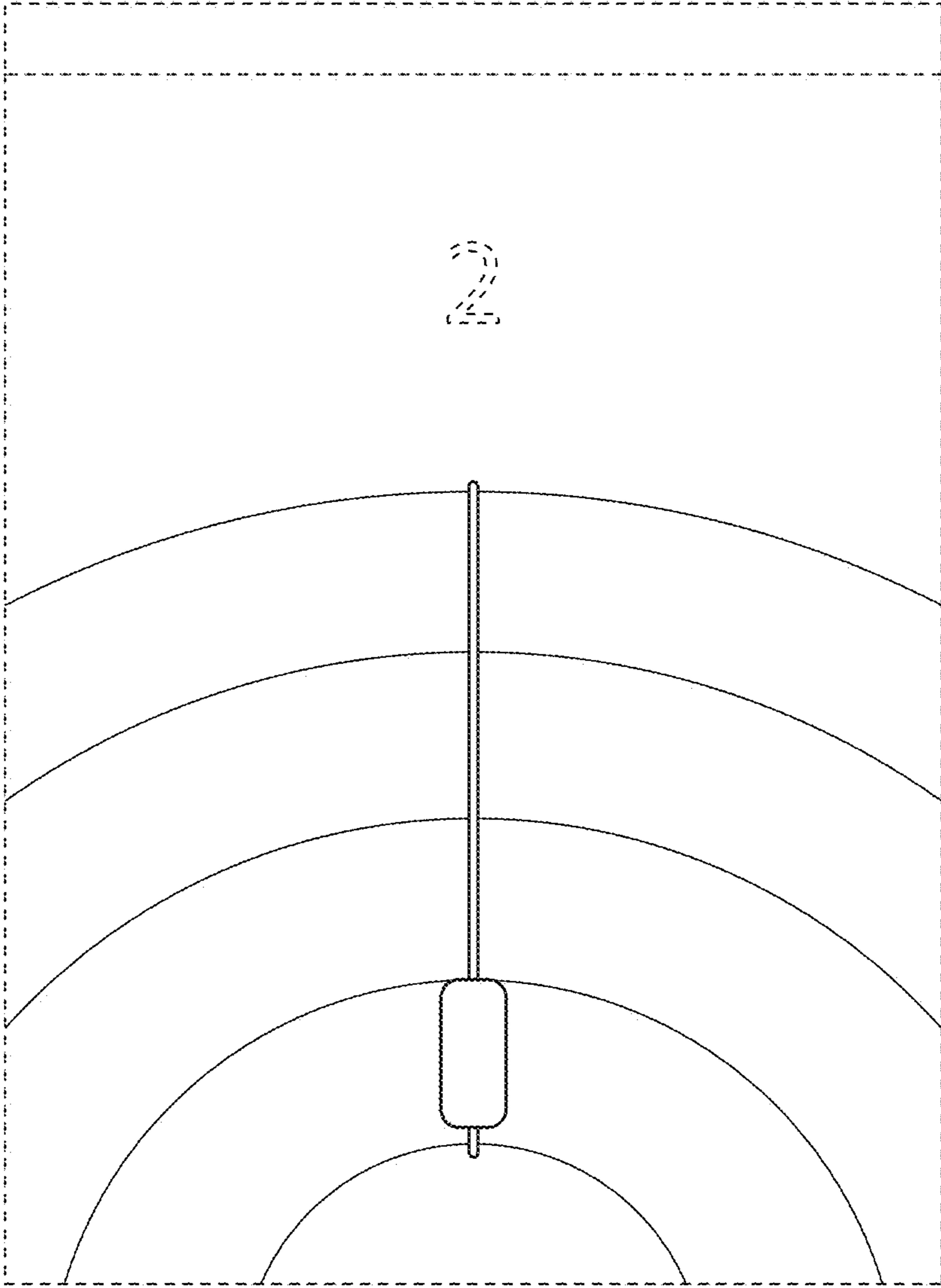


FIG. 2

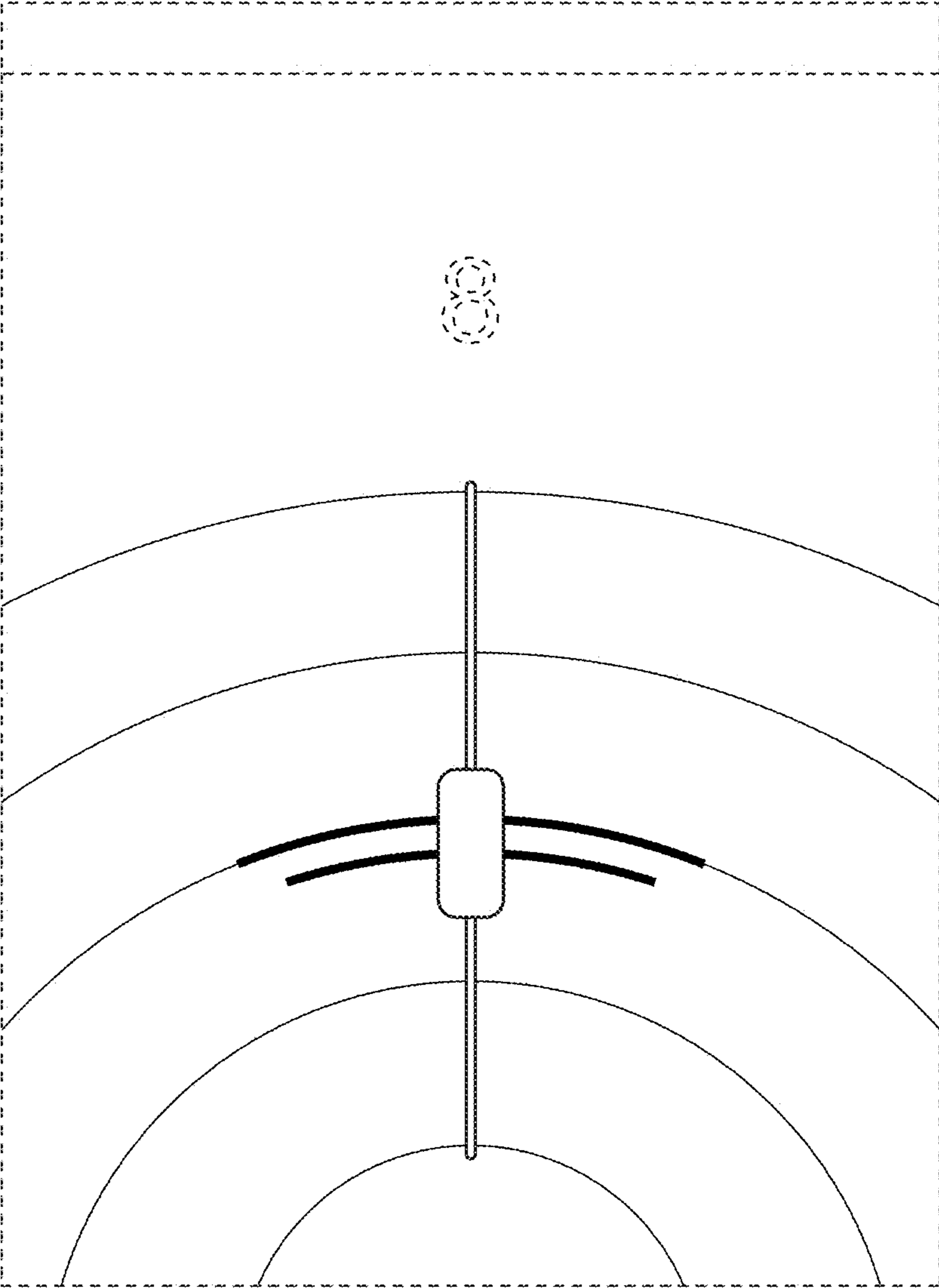


FIG. 3

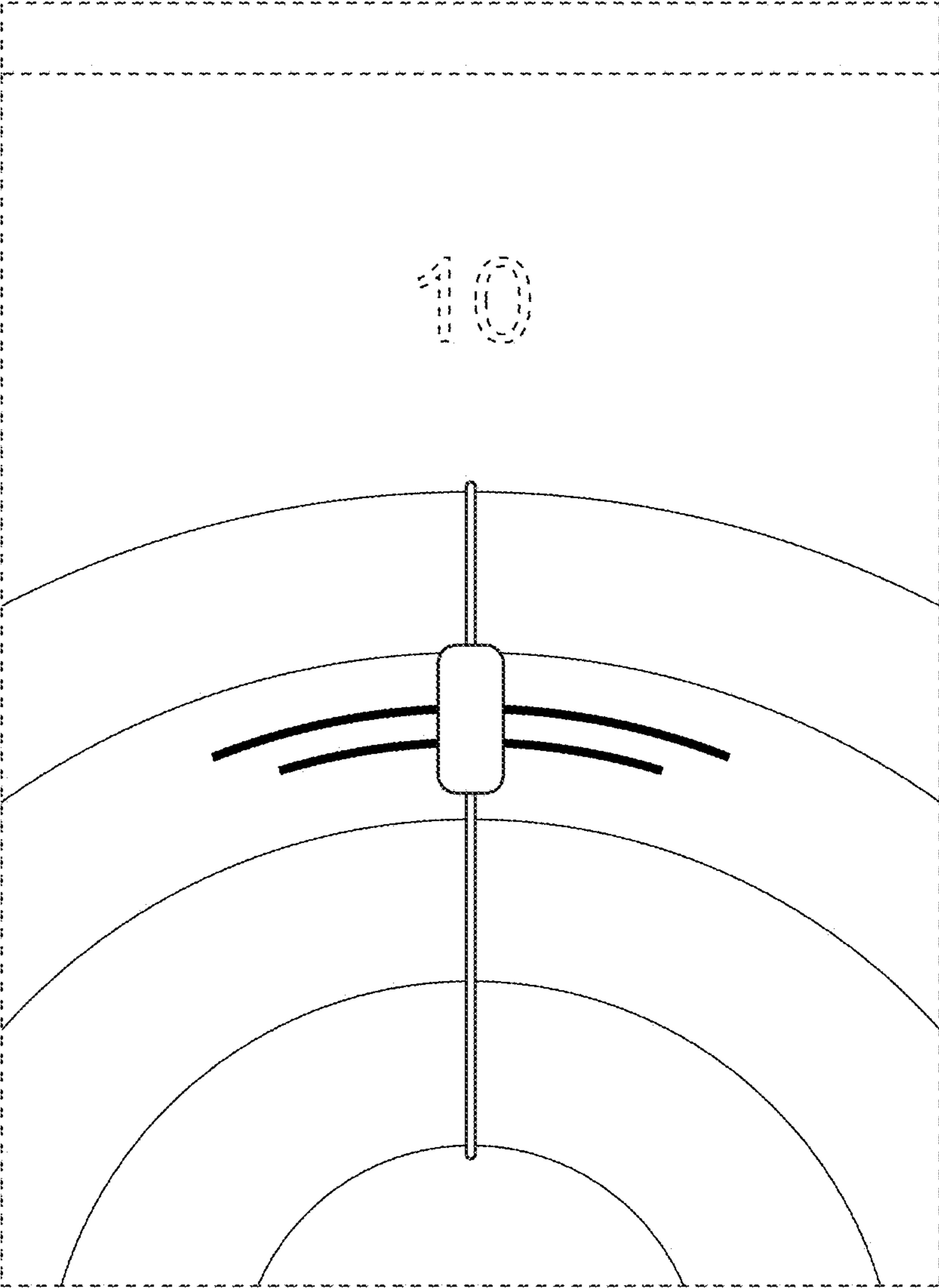




FIG. 4

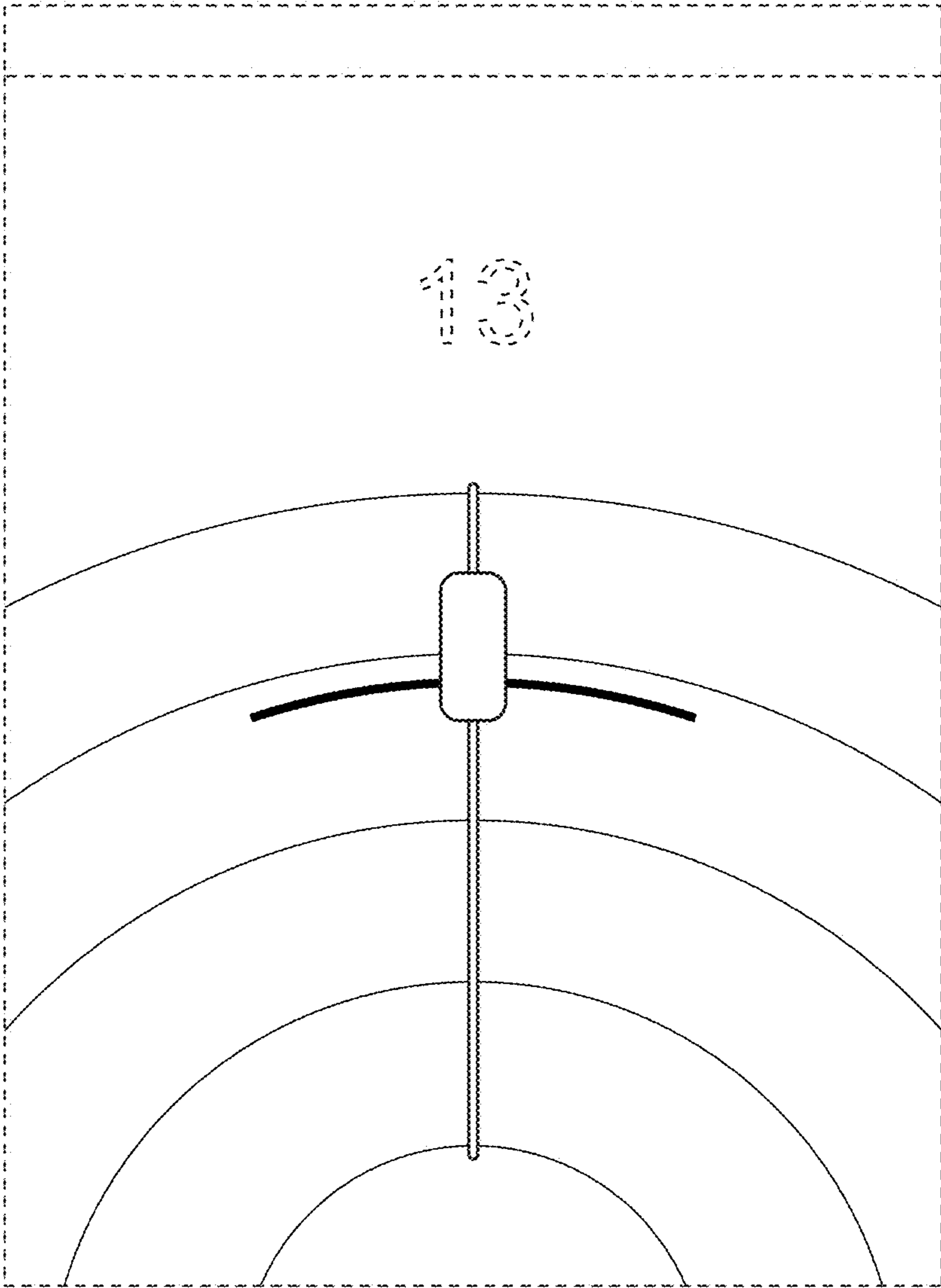


FIG. 5

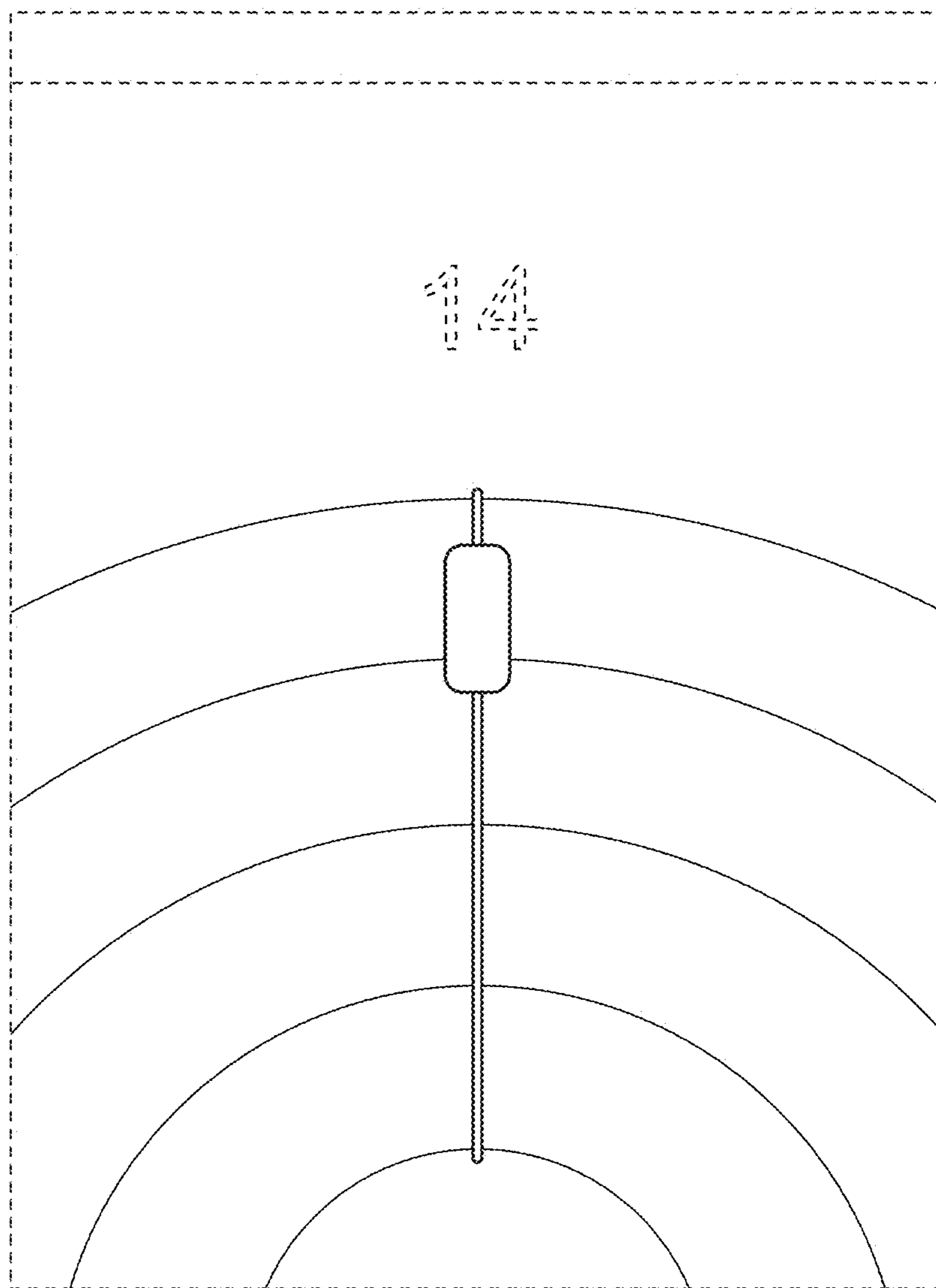


FIG. 6

