



US00D964385S

(12) **United States Design Patent** (10) **Patent No.:** **US D964,385 S**
Fang et al. (45) **Date of Patent:** **** Sep. 20, 2022**

(54) **DISPLAY SCREEN OR PORTION THEREOF WITH A GRAPHICAL USER INTERFACE**

H04N 21/4312; H04N 21/4314; H04N 21/4316; H04N 21/4532; H04N 21/4622; H04N 21/47; H04N 21/478; H04N 21/482; H04N 21/4884; H04N 21/4888; H04N 21/4856; H04N 21/485; H04N 21/6547

(71) Applicant: **BEIJING KONGMING TECHNOLOGY CO., LTD.**, Beijing (CN)

See application file for complete search history.

(72) Inventors: **Lei Fang**, Beijing (CN); **Xiaolin Li**, Beijing (CN); **Xiangru Jiang**, Beijing (CN); **Lu Yu**, Beijing (CN)

(56) **References Cited**

(73) Assignee: **BEIJING KONGMING TECHNOLOGY CO., LTD.**, Beijing (CN)

U.S. PATENT DOCUMENTS

(**) Term: **15 Years**

D756,401 S * 5/2016 Soldner D14/488
D794,675 S * 8/2017 Liu D14/489
D803,251 S * 11/2017 Eriksson D14/486
D835,632 S * 12/2018 Liu D14/492

(Continued)

(21) Appl. No.: **29/767,232**

OTHER PUBLICATIONS

(22) Filed: **Jan. 21, 2021**

Chalak, Mohamad. "Music App #1." dribbble.com. Posted Dec. 18, 2019. Retrieved May 5, 2022 online at URL: <https://dribbble.com/shots/9081233-Music-App-1> (Year: 2019).*

(Continued)

(30) **Foreign Application Priority Data**

Jul. 21, 2020 (CN) 202030400052.4

(51) **LOC (13) Cl.** **14-04**

Primary Examiner — Christian P. McLean

(52) **U.S. Cl.**
USPC **D14/485**

(74) *Attorney, Agent, or Firm* — BakerHostetler

(58) **Field of Classification Search**

(57) **CLAIM**

USPC D14/485-495
CPC G06F 3/048; G06F 3/0481; G06F 3/04812; G06F 3/04815; G06F 3/04817; G06F 3/0482; G06F 3/0483; G06F 3/0484; G06F 3/04842; G06F 3/04845; G06F 3/04847; G06F 3/0485; G06F 3/04855; G06F 3/0486; G06F 3/04886; G06Q 30/00; G06Q 30/02; G06Q 30/0237; G06Q 30/0238; G06Q 30/0239; H03J 1/00; H03J 1/0008; H03J 1/0016; H03J 1/0025; H04N 5/00; H04N 5/08; H04N 5/14; H04N 5/222; H04N 5/225; H04N 5/232; H04N 5/23222; H04N 5/23293; H04N 5/232933; H04N 5/232935; H04N 5/445; H04N 5/44504; H04N 5/45; H04N 21/00; H04N 21/234; H04N 21/431;

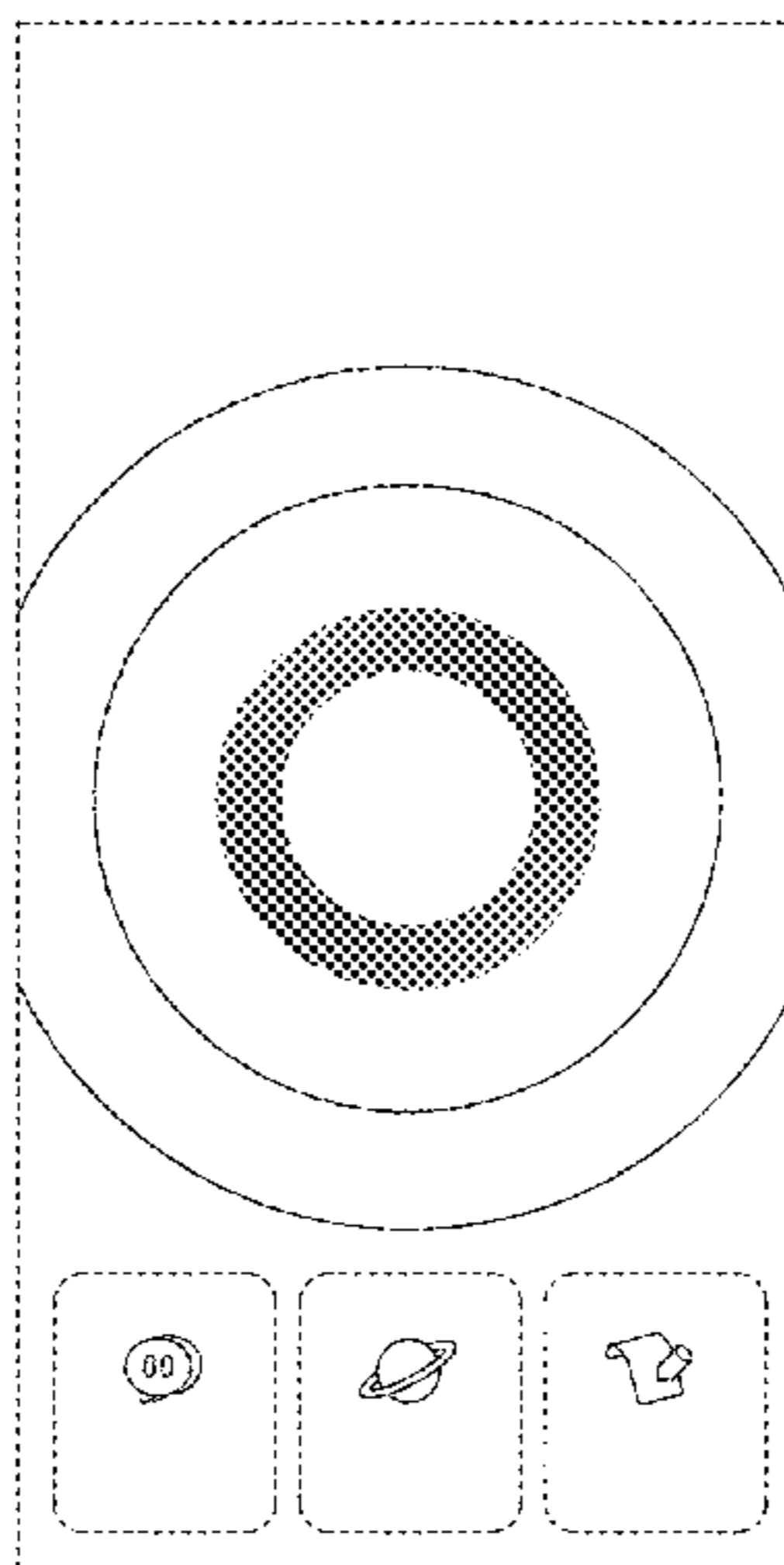
We claim the ornamental design for a display screen or portion thereof with a graphical user interface, as shown and described.

DESCRIPTION

The FIGURE is a front view of a display screen or portion thereof with a graphical user interface showing our new design.

The outermost broken line rectangle illustrates a display screen or portion thereof and forms no part of the claimed design. The remaining broken lines illustrate portions of the graphical user interface that form no part of the claimed design.

1 Claim, 1 Drawing Sheet



(56)

References Cited

U.S. PATENT DOCUMENTS

10,324,586	B1	*	6/2019	Parmar	H04L 65/403
D886,129	S	*	6/2020	Momchilov	D14/485
D886,855	S	*	6/2020	Henne	D14/488
D916,113	S	*	4/2021	Ilic	D14/486
D916,712	S	*	4/2021	Bickford	D14/485
D924,253	S	*	7/2021	Sahu	D14/485
D924,254	S	*	7/2021	Sahu	D14/485
D948,531	S	*	4/2022	Rivers	D14/485

OTHER PUBLICATIONS

Berki, Robert. "Music Player—iOS." dribbble.com. Posted Feb. 3, 2020. Retrieved May 5, 2022 online at URL: <https://dribbble.com/shots/9874636-Music-Player-iOS> (Year: 2020).*

"Music App UIX." dribbble.com. Posted Aug. 23, 2020. Retrieved May 5, 2022 online at URL: <https://dribbble.com/shots/14069402-Music-App-UIX> (Year: 2020).*

Jimmy Chiang Yu-chun; "CNMO—Bytedance company launches smart tutor lamp, table lamp can search words?"; <https://m.cnmo.com/news/688431.html>; Jul. 15, 2020; search date Oct. 7, 2021; 6 pages.

* cited by examiner

