



US00D964375S

(12) **United States Design Patent** (10) **Patent No.:** **US D964,375 S**  
**Xie** (45) **Date of Patent:** **\*\* Sep. 20, 2022**

(54) **DISPLAY MOUNT**

(71) Applicant: **SHENZHEN BESTQI INNOVATION TECHNOLOGY CO., LTD**, Shenzhen (CN)

(72) Inventor: **Menghong Xie**, Shenzhen (CN)

(73) Assignee: **SHENZHEN BESTQI INNOVATION TECHNOLOGY CO., LTD**, Shenzhen (CN)

(\*\*) Term: **15 Years**

(21) Appl. No.: **29/769,021**

(22) Filed: **Feb. 3, 2021**

(51) **LOC (13) Cl.** ..... **14-02**

(52) **U.S. Cl.**  
USPC ..... **D14/452**

(58) **Field of Classification Search**  
USPC ..... D14/239, 371-382, 125-129, 336-337, D14/447-452, 492, 335, 432, 251-253  
See application file for complete search history.

(56) **References Cited**

**U.S. PATENT DOCUMENTS**

D537,706 S *	3/2007	Ly Hau	.....	D8/363
D565,938 S *	4/2008	Massoumi	.....	D8/363
D816,646 S *	5/2018	Pei	.....	D14/239
D822,011 S *	7/2018	Namala	.....	D14/239
D841,631 S *	2/2019	Pei	.....	D14/239
D842,284 S *	3/2019	Pei	.....	D14/239
D848,988 S *	5/2019	Pei	.....	D14/239
D852,805 S *	7/2019	Lyu	.....	D14/452
D877,746 S *	3/2020	Pei	.....	D14/452
D878,382 S *	3/2020	Pei	.....	D14/452
D912,027 S *	3/2021	Lyu	.....	D14/239
D915,361 S *	4/2021	Pei	.....	D14/239
D915,362 S *	4/2021	Pei	.....	D14/239

D918,217 S *	5/2021	Lyu	.....	D14/452
D918,928 S *	5/2021	Jia	.....	D14/452
D925,509 S *	7/2021	Jin	.....	D14/239

(Continued)

**FOREIGN PATENT DOCUMENTS**

GB	6119993	*	2/2021
GB	6123230	*	3/2021

(Continued)

**OTHER PUBLICATIONS**

Pipishell, announced on May 31, 2019 [online], retrieved on Jul. 20, 2022, retrieved from internet, <https://www.amazon.com/Articulating-Extension-Rotation-200x200mm-Pipishell/dp/B07SHFPD8S> (Year: 2019).\*

(Continued)

*Primary Examiner* — Messina L Smith

*Assistant Examiner* — Noah Perez

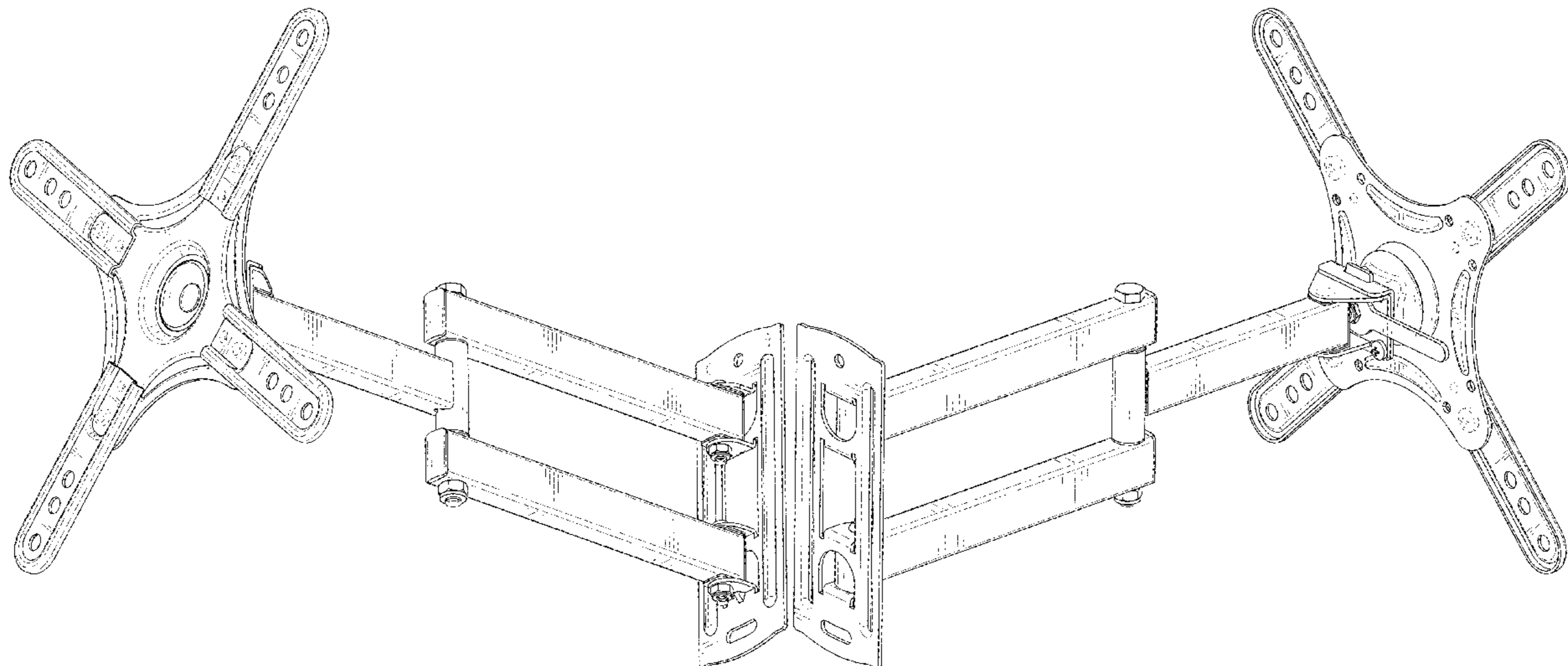
(57) **CLAIM**

The ornamental design for a display mount, as shown and described.

**DESCRIPTION**

FIG. 1 is a perspective view of a display mount showing my new design;  
FIG. 2 is another perspective view thereof;  
FIG. 3 is a front elevational view thereof;  
FIG. 4 is a rear elevational view thereof;  
FIG. 5 is a left side elevational view thereof;  
FIG. 6 is a right side elevational view thereof;  
FIG. 7 is a top plan view thereof;  
FIG. 8 is a bottom plan view thereof; and,  
FIG. 9 is an exploded perspective view of the display mount. The broken lines in the drawings depict portions of the display mount that form no part of the claimed design.

**1 Claim, 9 Drawing Sheets**



(56)

References Cited

U.S. PATENT DOCUMENTS

D930,006	S	*	9/2021	Pei	.....	D14/452
D932,499	S	*	10/2021	Lu	.....	D14/452
D936,045	S	*	11/2021	Xie	.....	D14/239
D950,530	S	*	5/2022	Bohnen	.....	D14/239
D950,533	S	*	5/2022	Jia	.....	D14/239
D953,313	S	*	5/2022	Pei	.....	D14/239
2012/0187264	A1	*	7/2012	Vlies	.....	F16M 11/10 248/220.1
2016/0353885	A1	*	12/2016	Feldman	.....	F16M 11/10
2018/0177299	A1	*	6/2018	Pei	.....	F16M 11/2014
2019/0191879	A1	*	6/2019	Pei	.....	F16M 11/2092
2019/0245259	A1	*	8/2019	Barkan	.....	A47B 97/001

FOREIGN PATENT DOCUMENTS

GB	6123232	*	3/2021
GB	6123233	*	3/2021
GB	6123236	*	3/2021
GB	6123237	*	3/2021

OTHER PUBLICATIONS

Transform Partners LLC, announced on Feb. 7, 2010 [online], retrieved on Jul. 20, 2022, retrieved from internet, <https://www.amazon.com/Mount-Bracket-Computer-Monitor-Tilting/dp/B00CMVE2AO> (Year: 2010).\*

StarTech, no announcement date, retrieved on Jul. 20, 2022, retrieved from internet, [https://www.insight.com/en\\_US/shop/product/FPWARTB1M/STARTECH.COM/FPWARTB1M/StarTech-com-Full-Motion-TV-Wall-Mount---Articulating-Arm---Supports-32--to-55--TVs-Displays---Flat-Screen-TV-Wall-Mount---Wall-Mount-TV-Bracket--Steel-FP](https://www.insight.com/en_US/shop/product/FPWARTB1M/STARTECH.COM/FPWARTB1M/StarTech-com-Full-Motion-TV-Wall-Mount---Articulating-Arm---Supports-32--to-55--TVs-Displays---Flat-Screen-TV-Wall-Mount---Wall-Mount-TV-Bracket--Steel-FP).\*

Alibaba, announced on Oct. 3, 2017 [online], retrieved on Jul. 20, 2022, retrieved from internet, [https://www.alibaba.com/photo-detail/Full-Motion-TV-Wall-Mount-Bracket\\_60647911611.html](https://www.alibaba.com/photo-detail/Full-Motion-TV-Wall-Mount-Bracket_60647911611.html) (Year: 2017).\* Displays2Go, Earliest Review on Nov. 25, 2015 [online], retrieved on Jul. 20, 2022, retrieved online, <https://www.displays2go.com/Review/View/13311/1/20?Value=13311> (Year: 2015).\*

\* cited by examiner

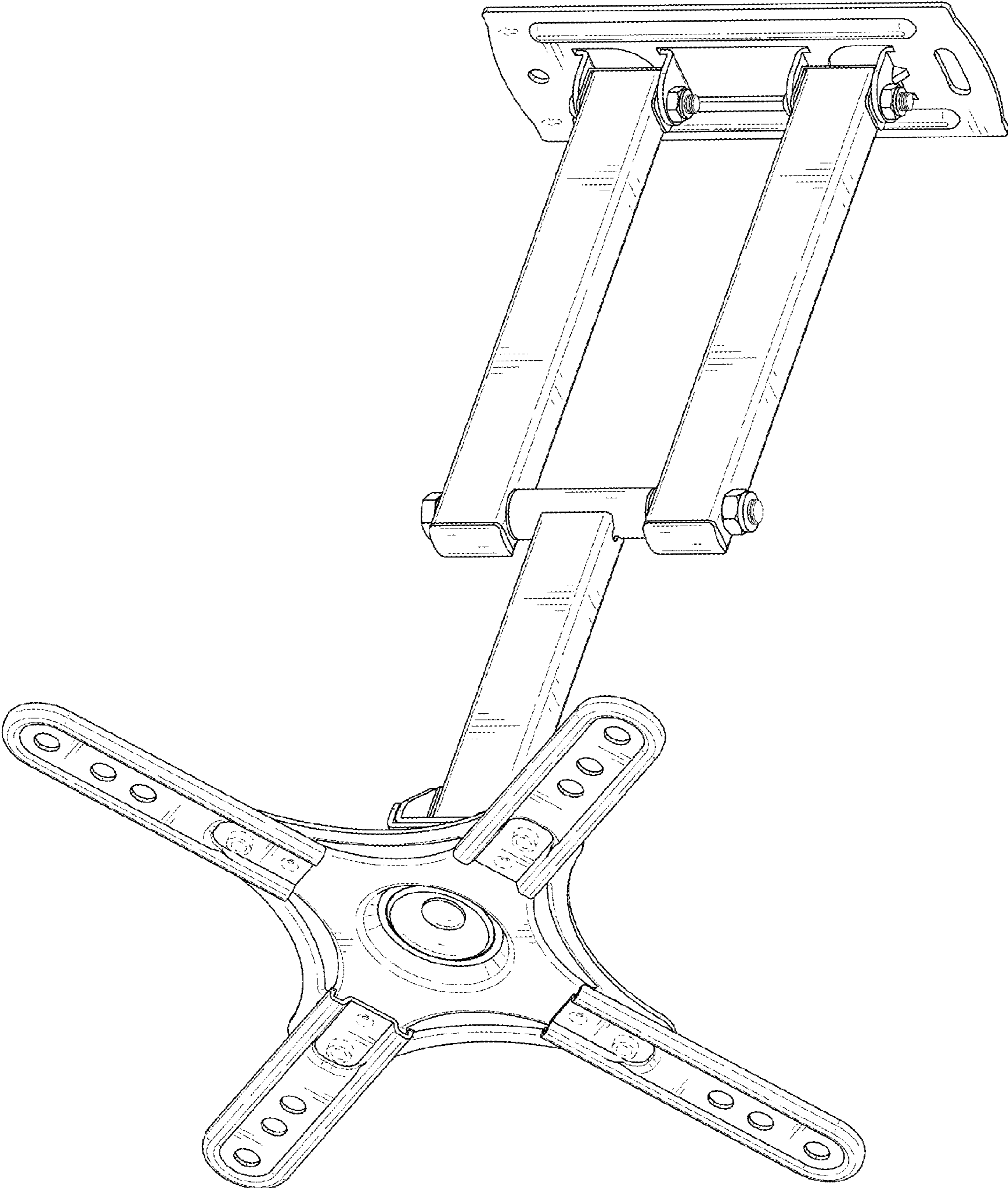


FIG. 1



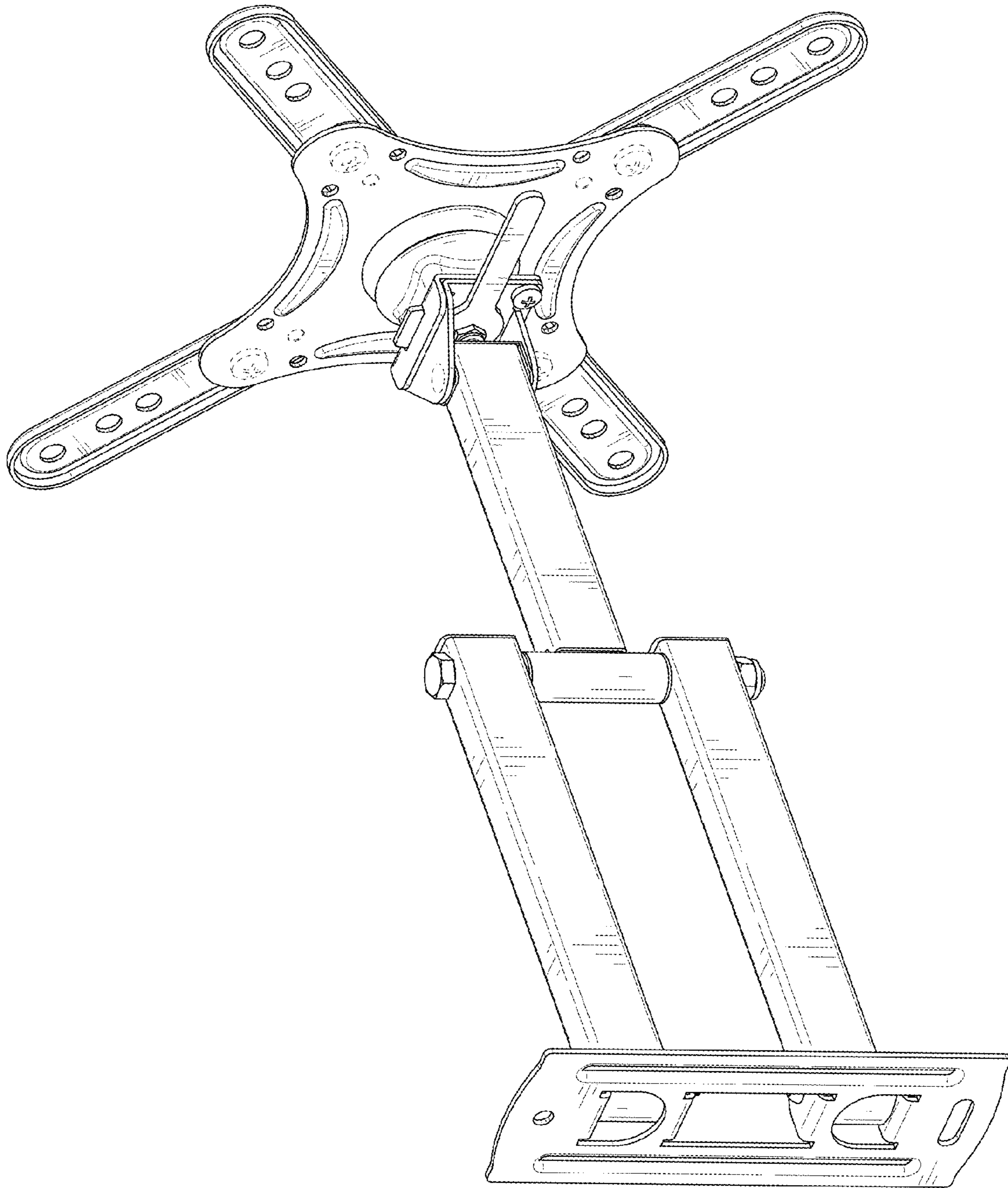


FIG. 2

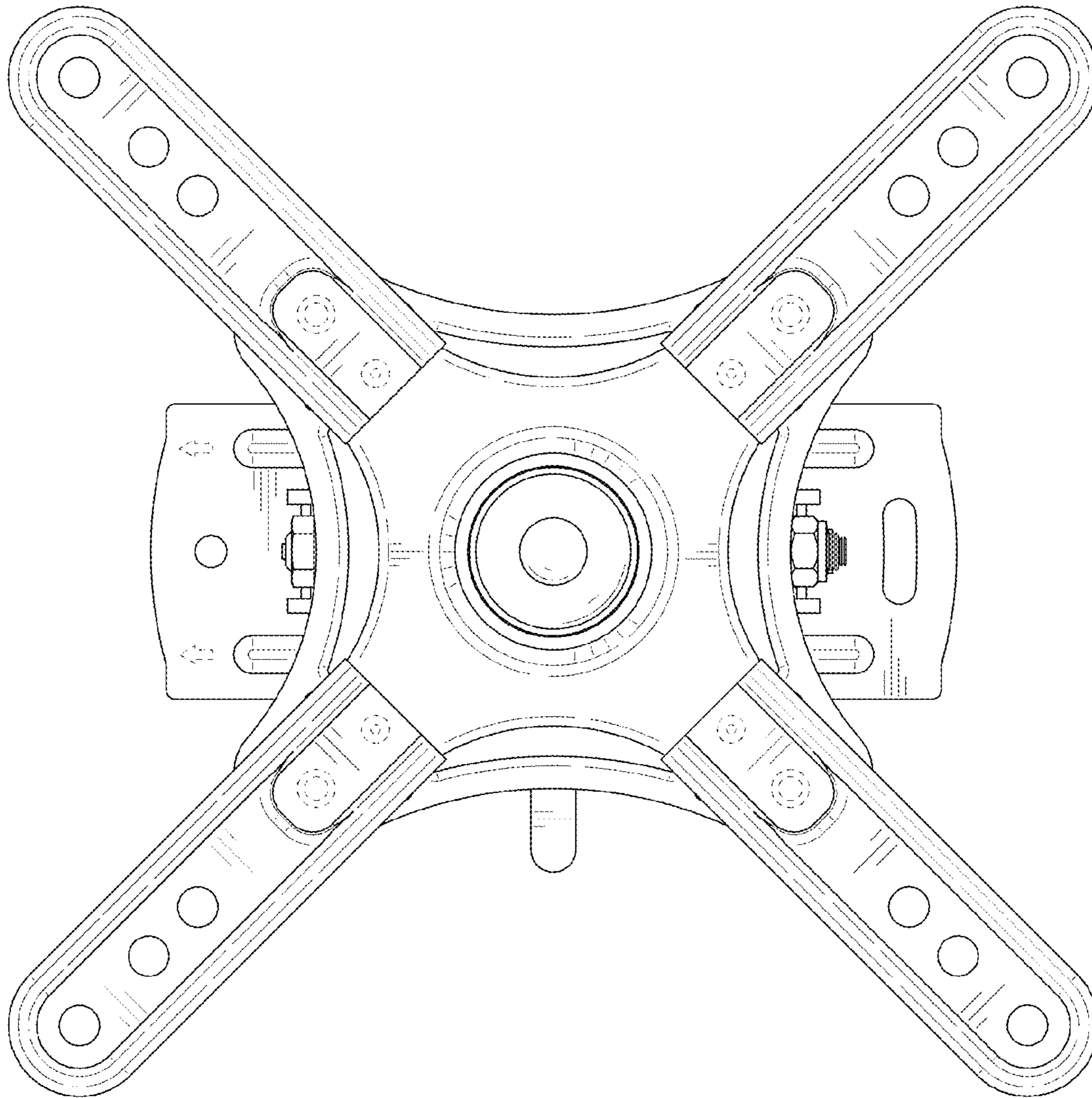


FIG. 3

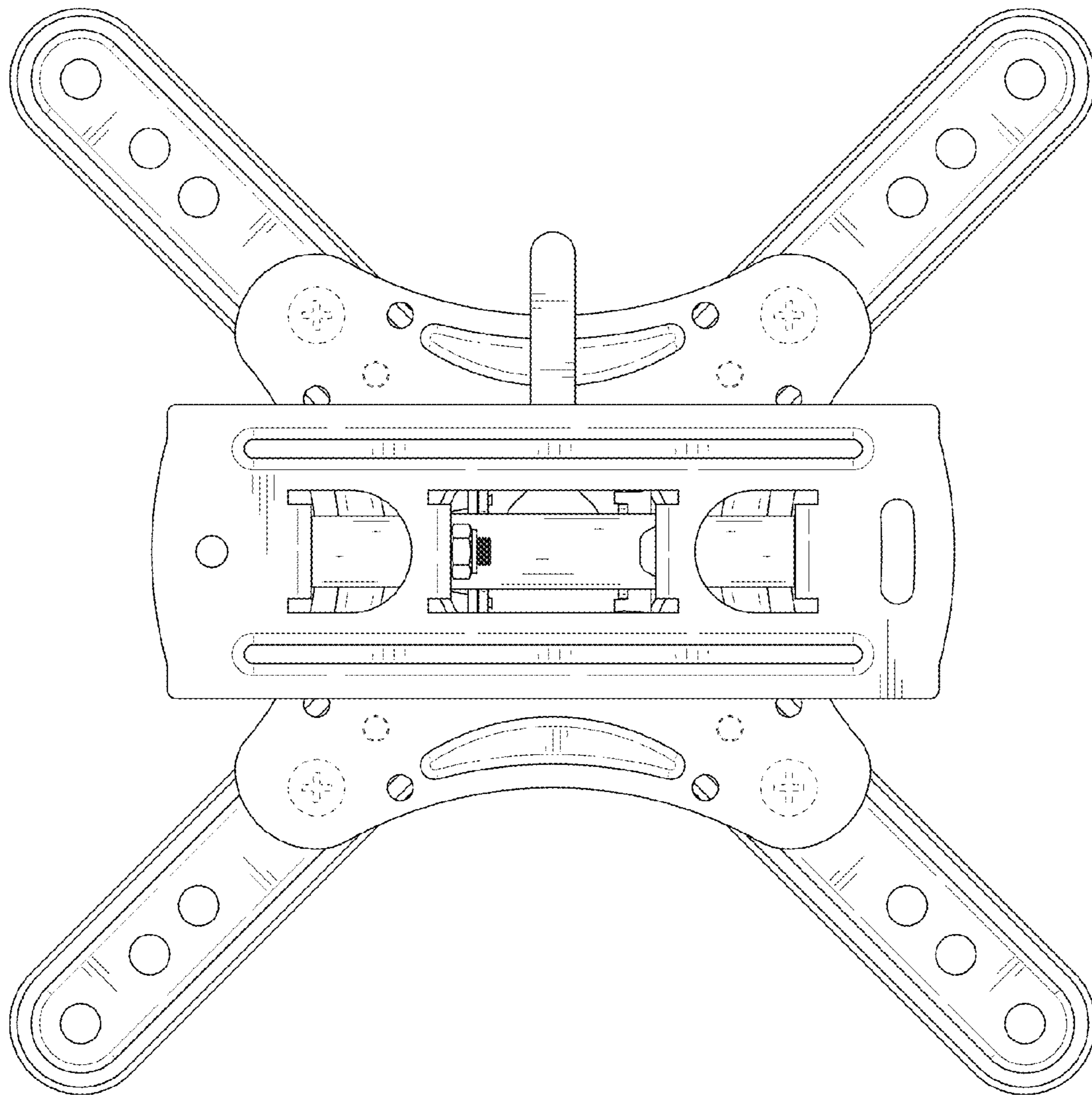


FIG. 4

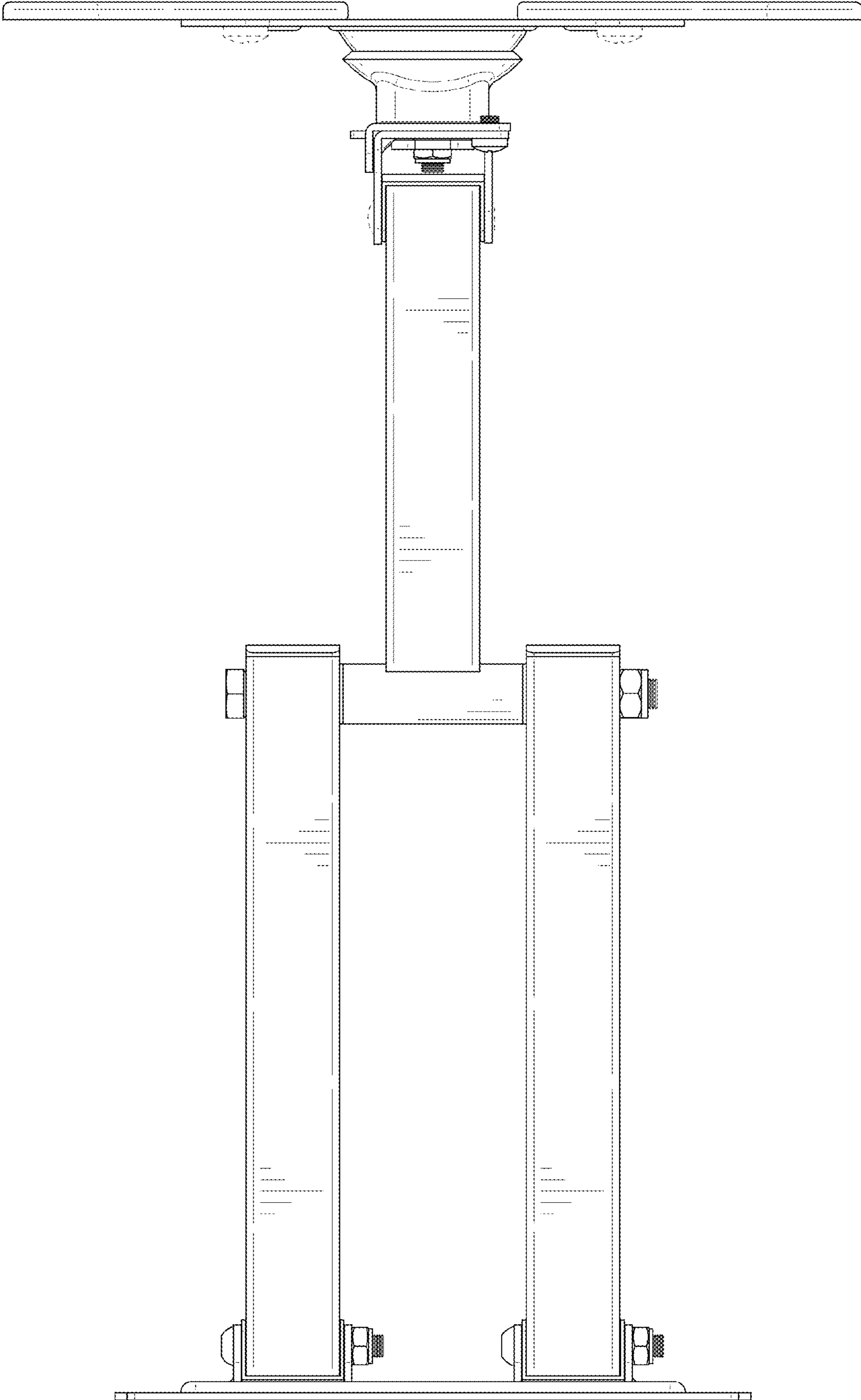


FIG. 5

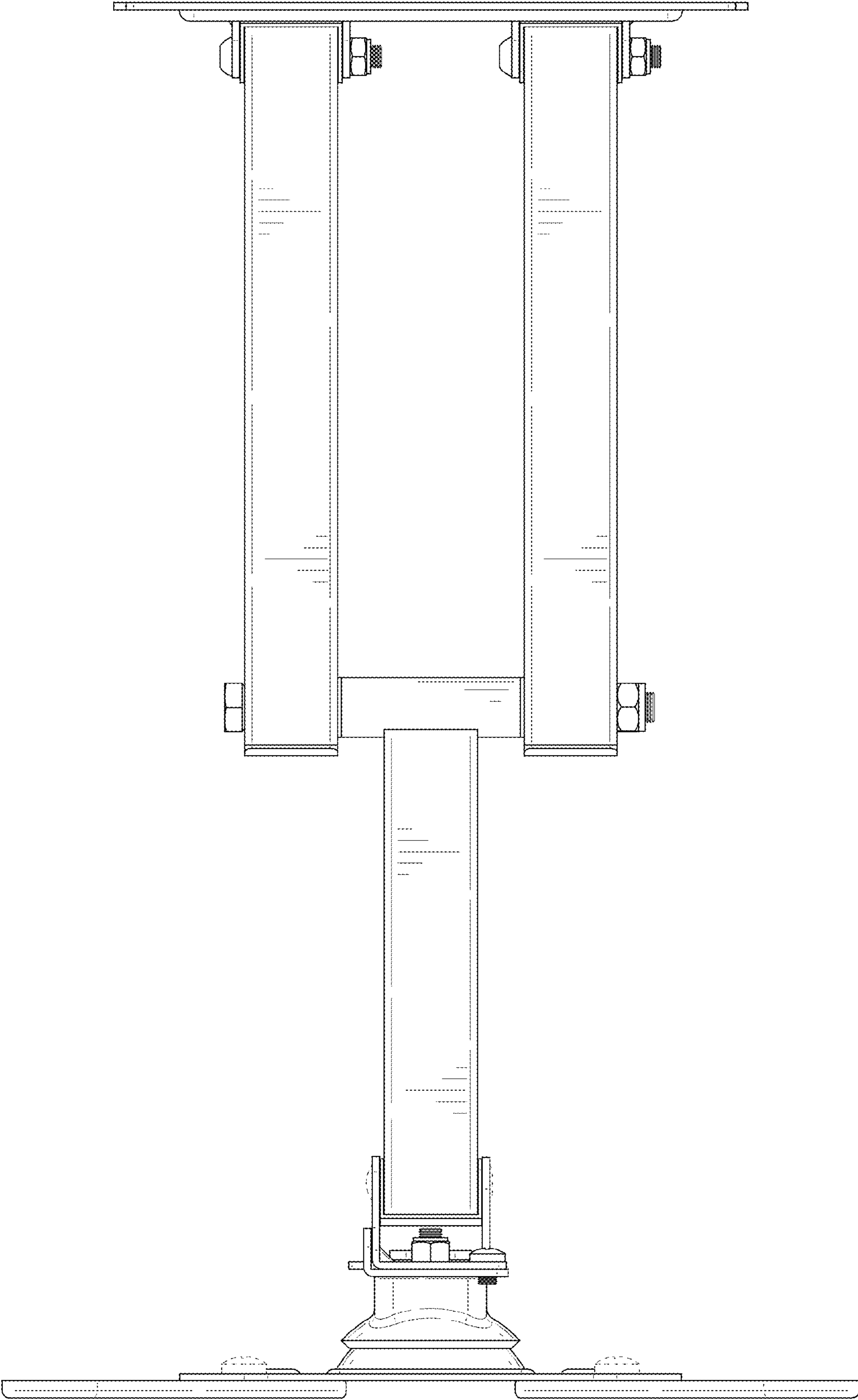


FIG. 6



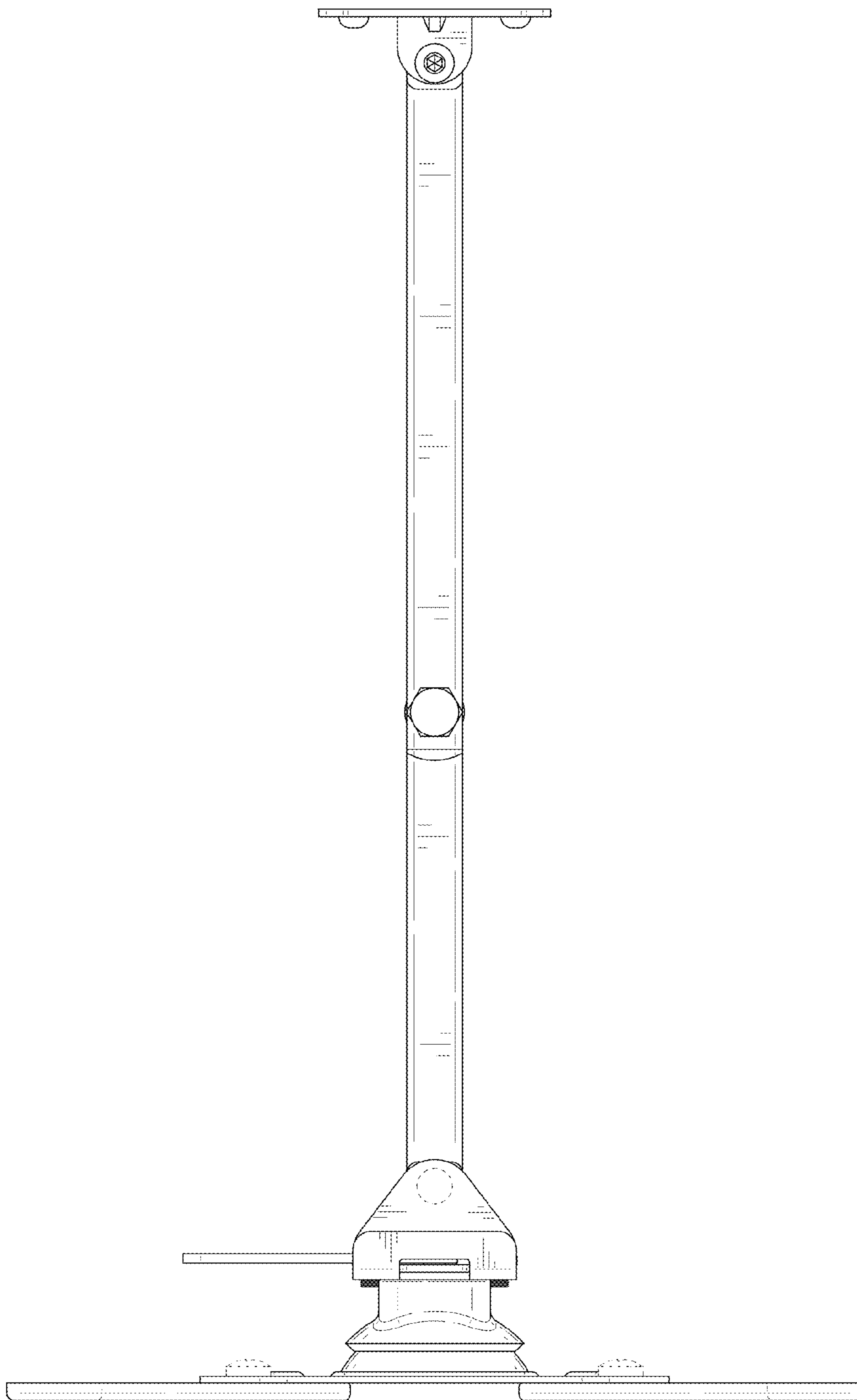


FIG. 7

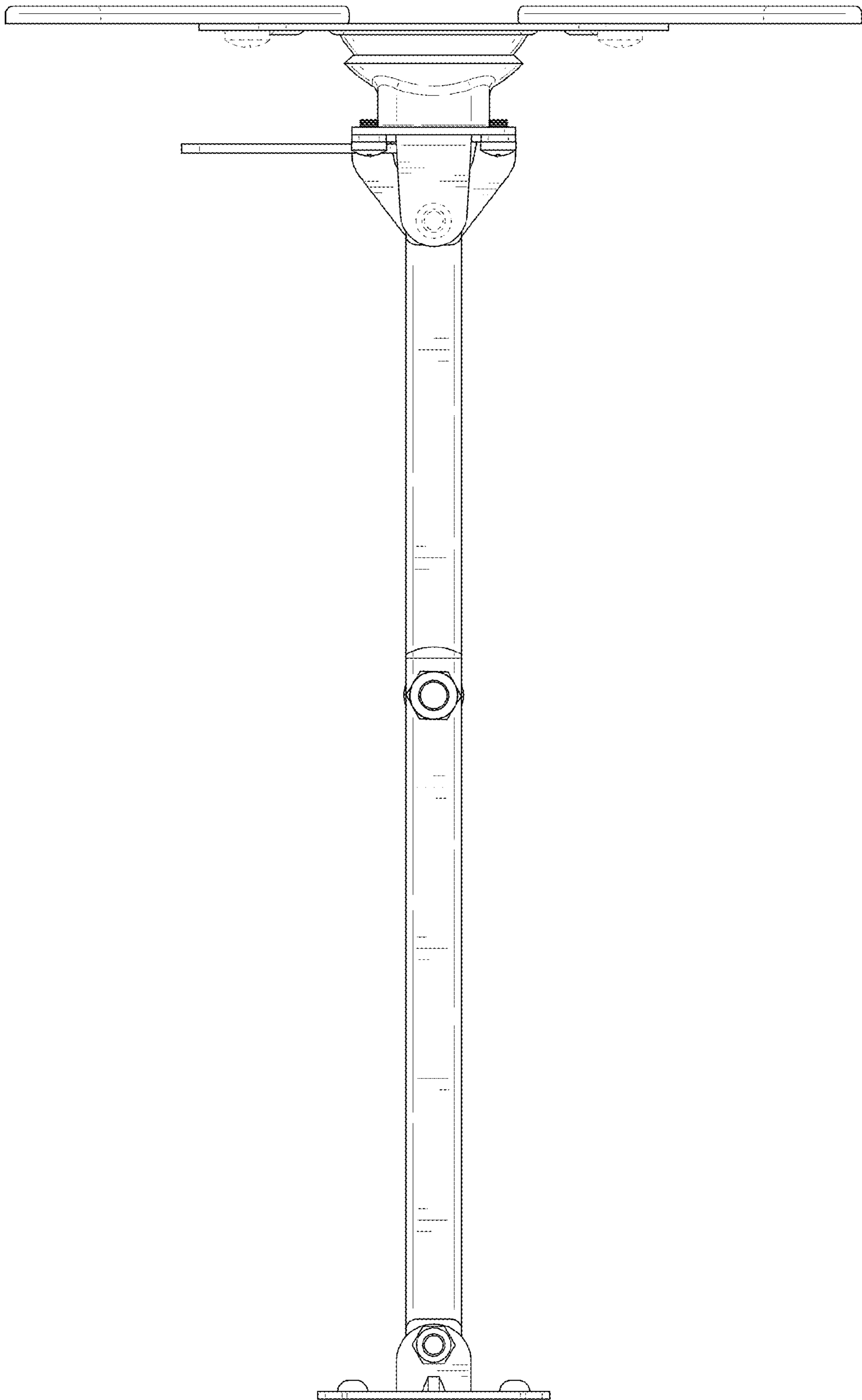


FIG. 8

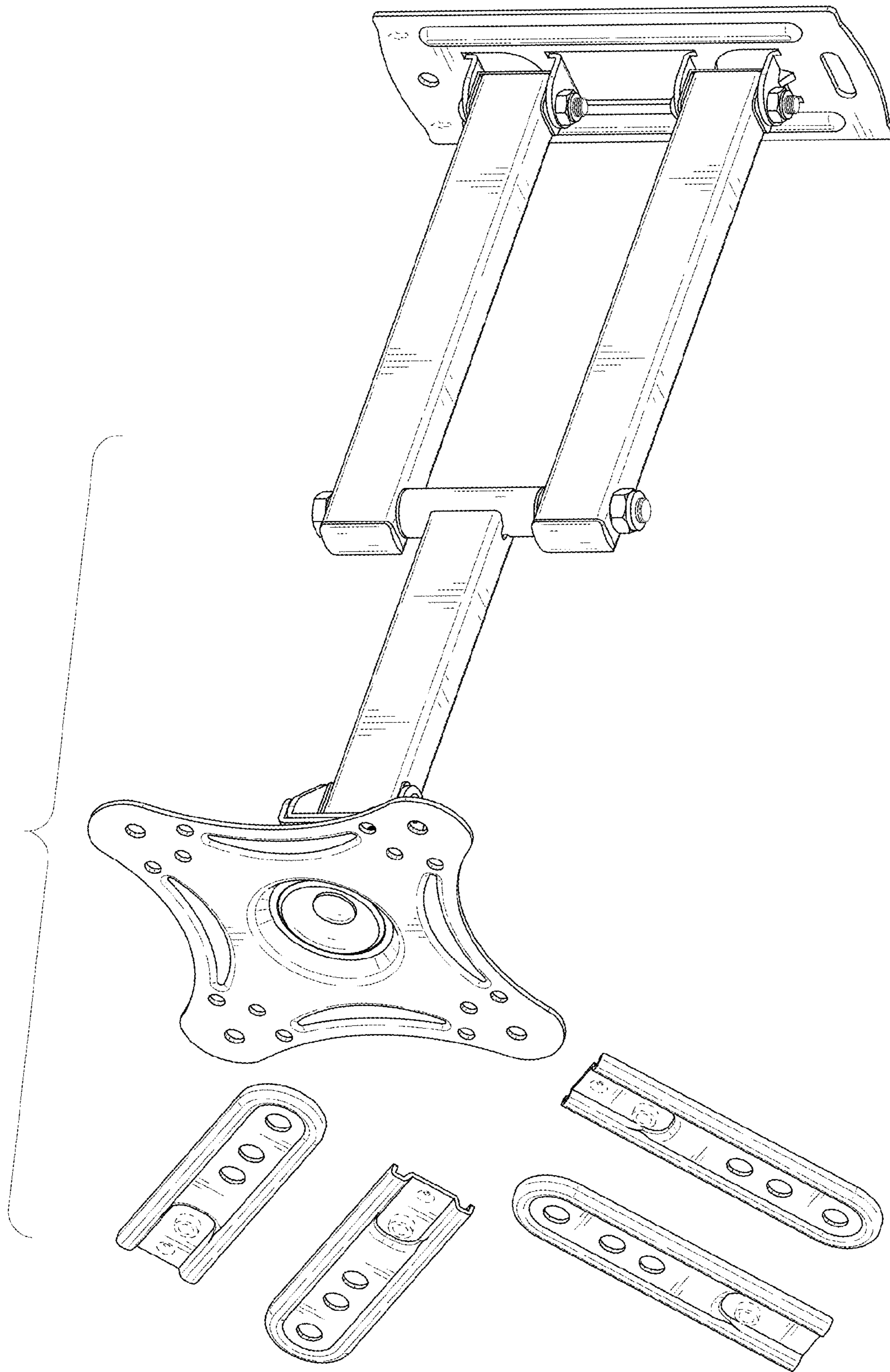


FIG. 9