

US00D964374S

(12) **United States Design Patent** (10) **Patent No.:** **US D964,374 S**
Zhou (45) **Date of Patent:** **** Sep. 20, 2022**

(54) **TABLET ROTATABLE CASE**
(71) Applicant: **Huimin Zhou**, Shenzhen (CN)
(72) Inventor: **Huimin Zhou**, Shenzhen (CN)
(**) Term: **15 Years**
(21) Appl. No.: **29/840,482**
(22) Filed: **May 30, 2022**
(51) **LOC (13) Cl.** **14-02**
(52) **U.S. Cl.**
USPC **D14/440**
(58) **Field of Classification Search**
USPC D14/440, 447, 250; 361/679.55;
206/45.23, 320, 45.2; 294/25; 455/575.8
CPC ... G06F 1/1628; G06F 1/1626; A47B 23/044;
A45C 11/00
See application file for complete search history.

D930,002 S * 9/2021 Zhou D14/440
D949,153 S * 4/2022 Chen D14/440
D952,505 S * 5/2022 Spiers D11/70
D958,795 S * 7/2022 Cheng D14/440
2017/0196327 A1* 7/2017 Ma H01R 24/62

* cited by examiner

Primary Examiner — Cynthia R Underwood
(74) *Attorney, Agent, or Firm* — Rumit Ranjit Kanakia

(57) **CLAIM**

The ornamental design for a tablet rotatable case, as shown and described.

DESCRIPTION

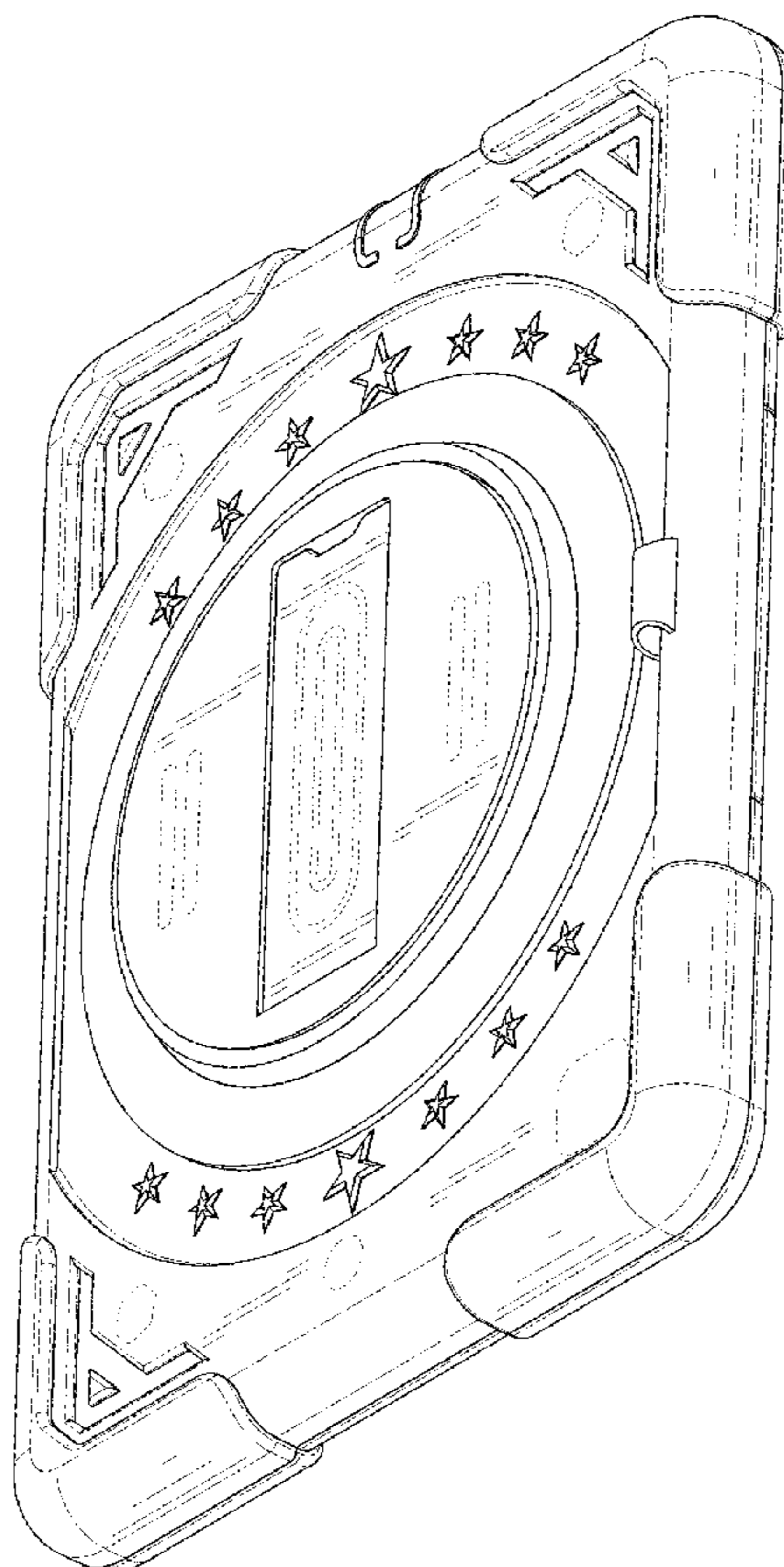
FIG. 1 is a first perspective view of a tablet rotatable case showing my new design;
FIG. 2 is a second perspective view thereof;
FIG. 3 is a front view thereof;
FIG. 4 is a back view thereof;
FIG. 5 is a left side view thereof;
FIG. 6 is a right side view thereof;
FIG. 7 is a top view thereof; and,
FIG. 8 is a bottom view thereof.
The broken lines shown in the drawings depict portions of the tablet rotatable case that form no part of the claimed design.

(56) **References Cited**

U.S. PATENT DOCUMENTS

D620,000 S * 7/2010 Bau D14/250
D763,853 S * 8/2016 Pearce D14/440
D837,219 S * 1/2019 Gao D14/440
D880,105 S * 3/2020 Rubin D99/99
D883,987 S * 5/2020 Cheng D14/440
D897,349 S 9/2020 Li
D904,413 S 12/2020 Feng
D910,640 S 2/2021 Li
D920,982 S * 6/2021 Xu D14/440

1 Claim, 8 Drawing Sheets



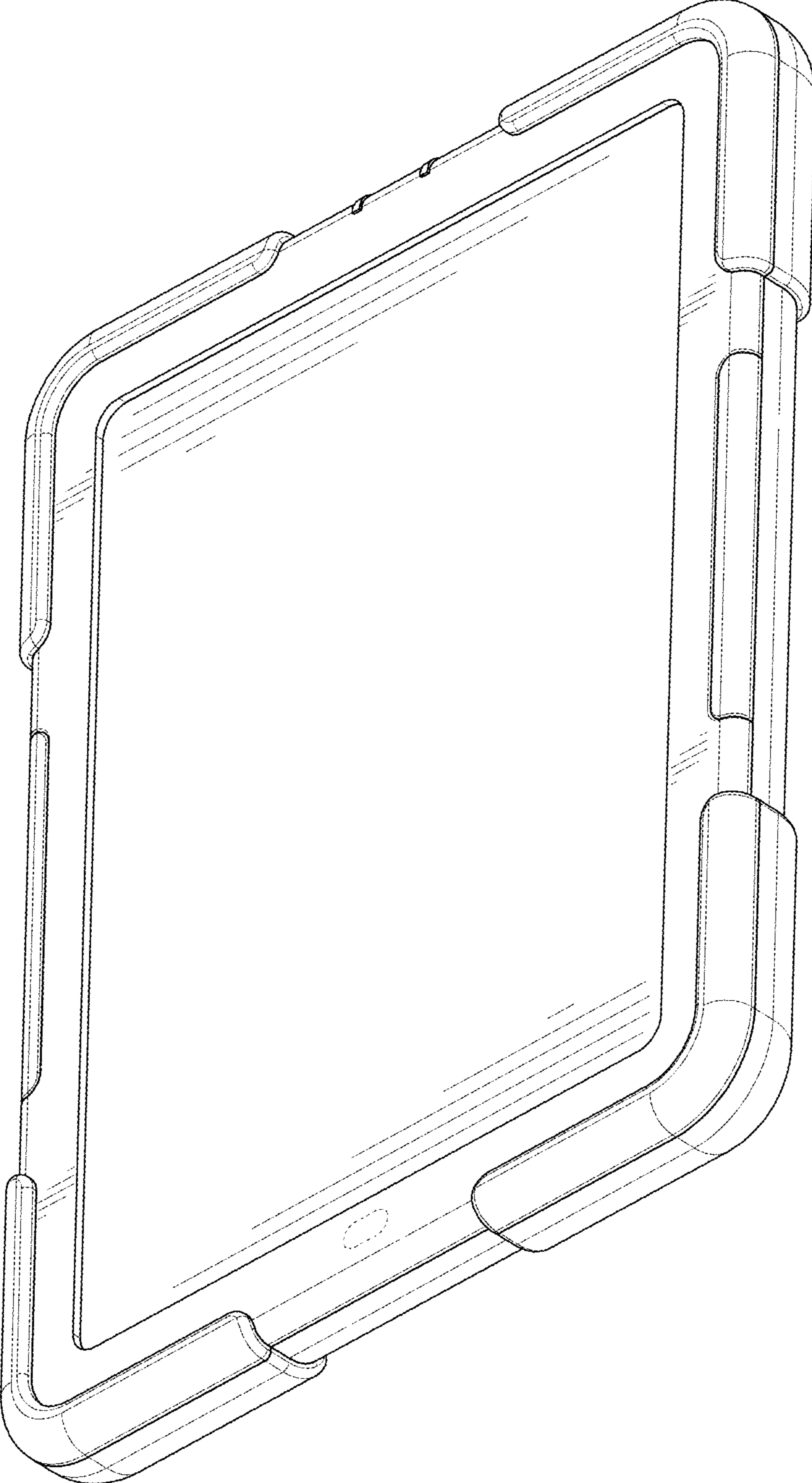


FIG. 1

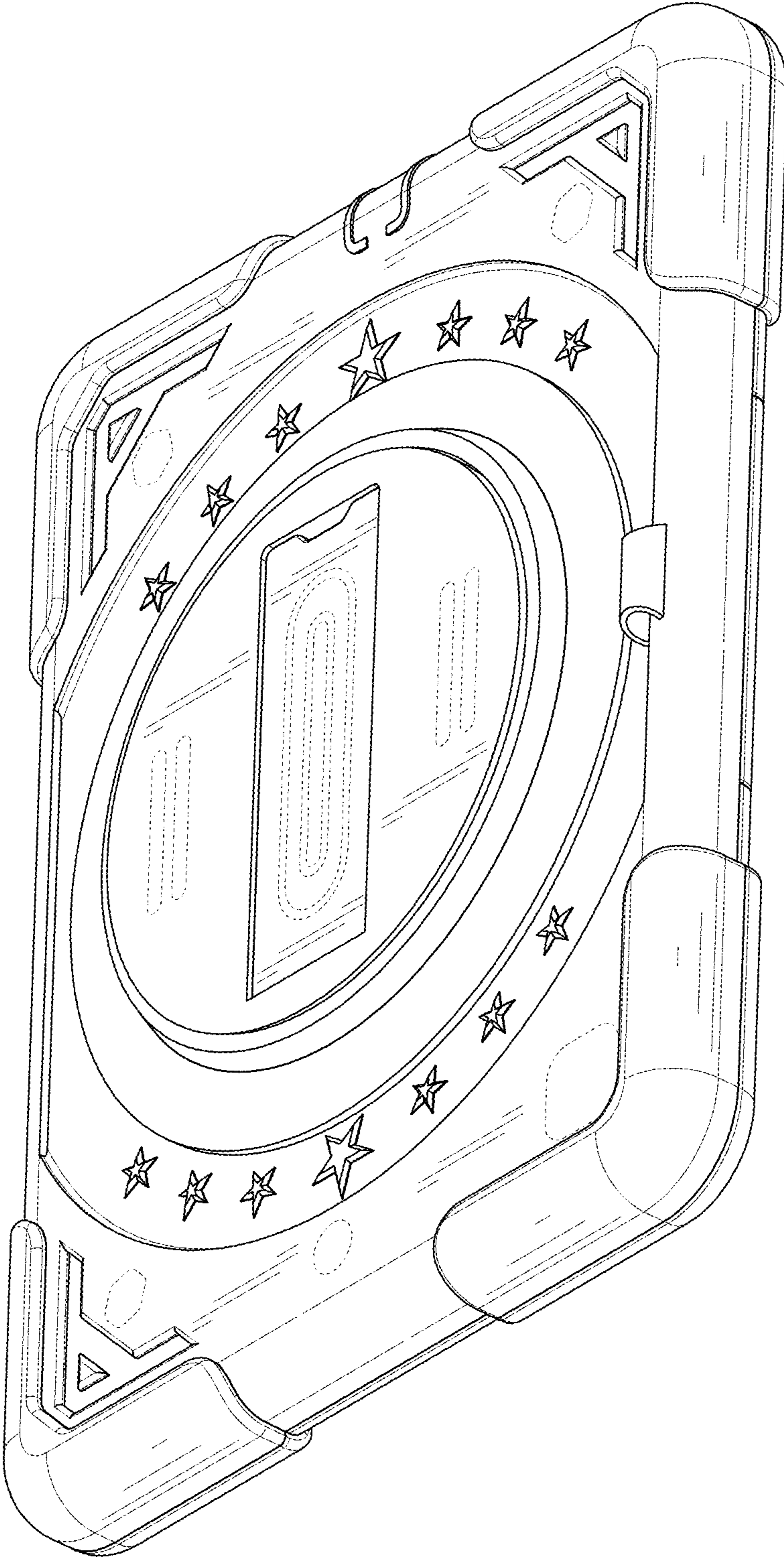


FIG. 2

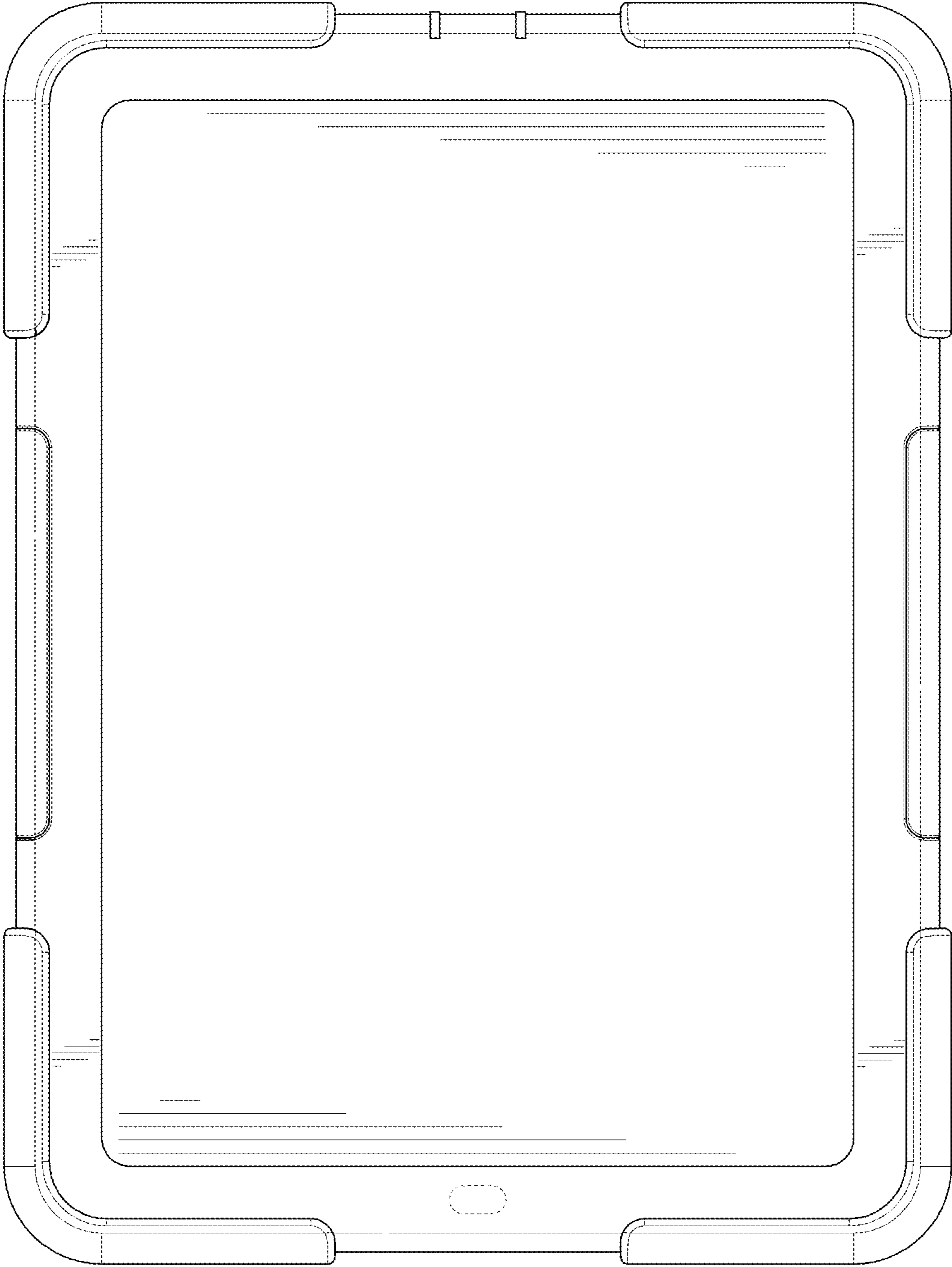


FIG. 3

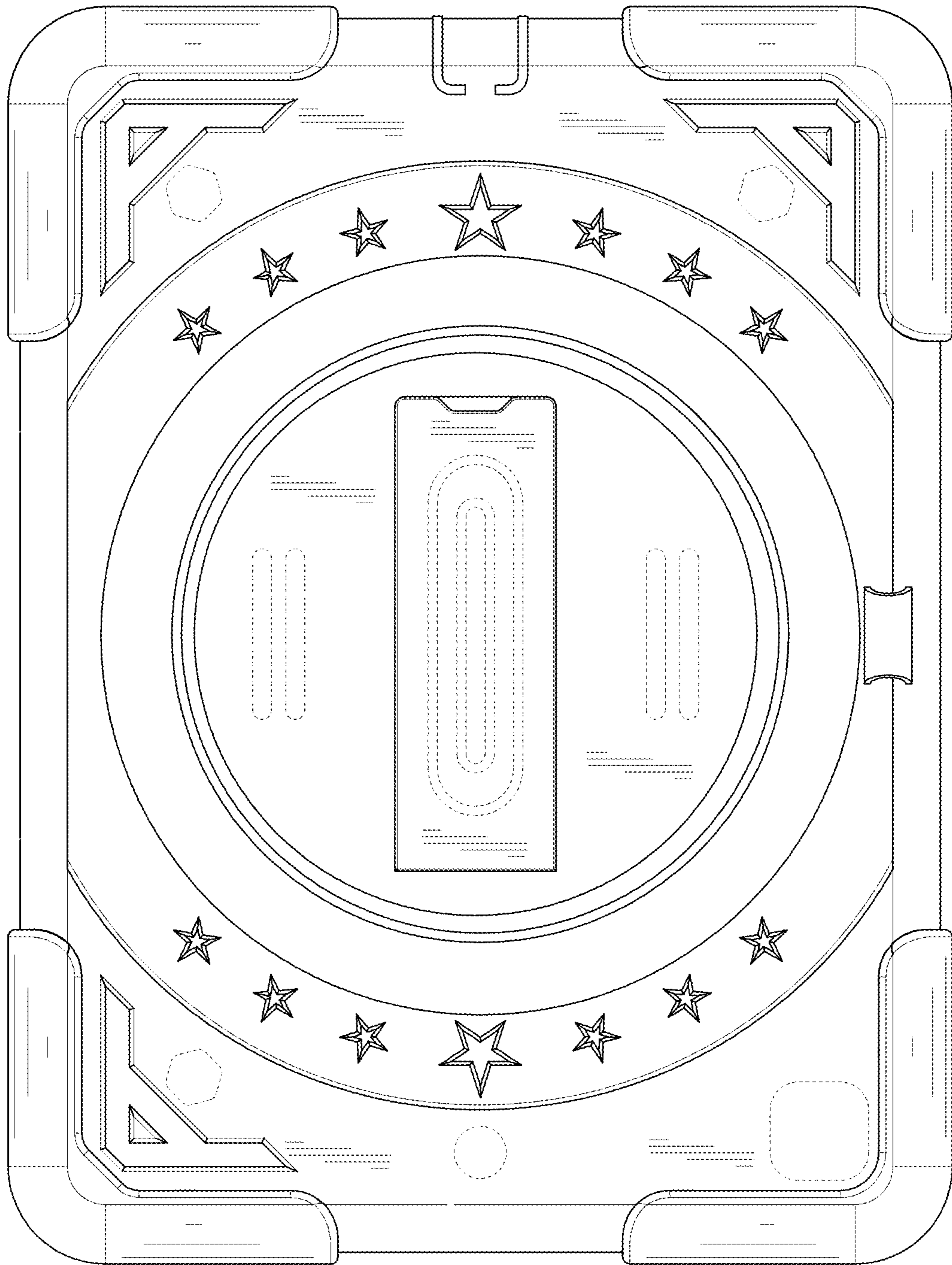


FIG. 4

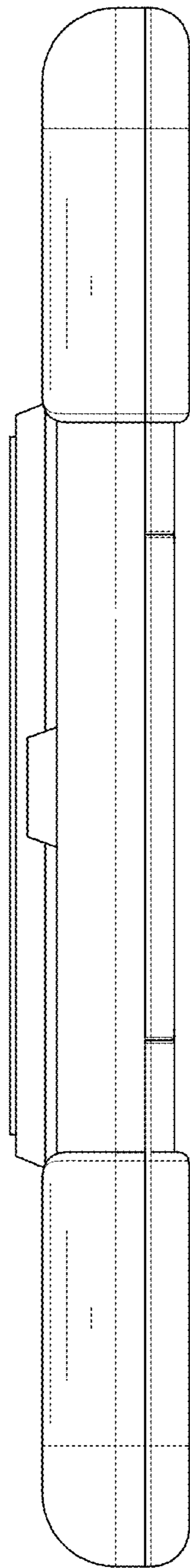


FIG. 5

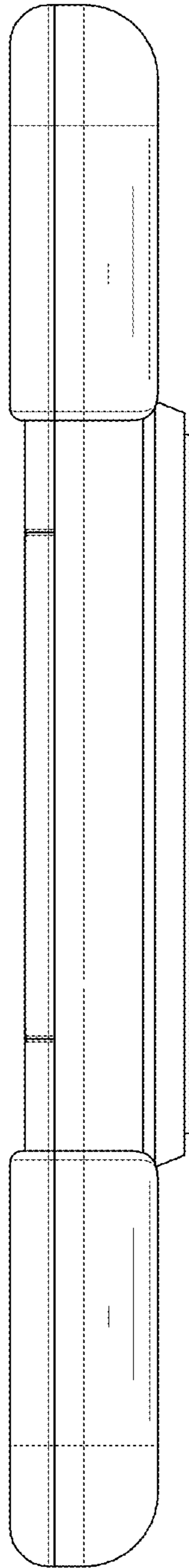


FIG. 6

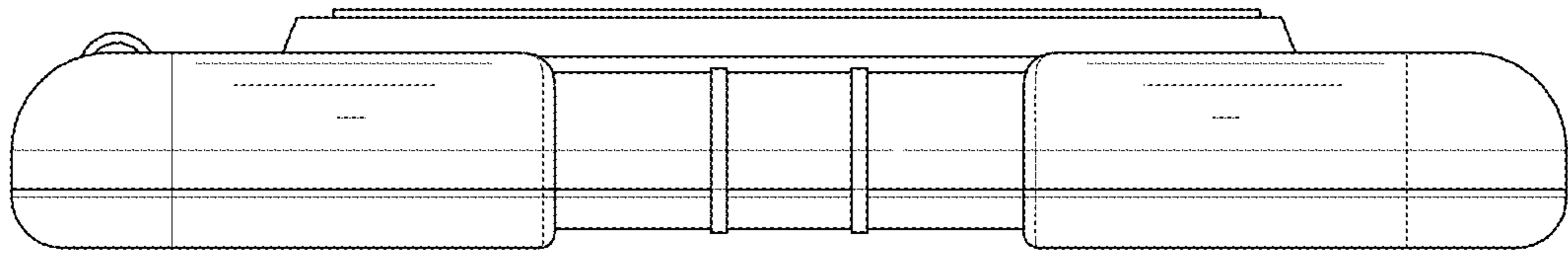


FIG. 7

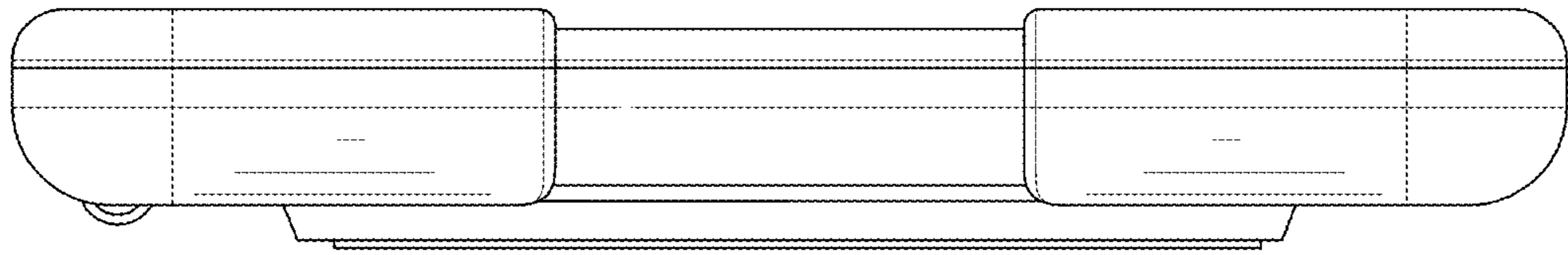


FIG. 8