



US00D964372S

(12) **United States Design Patent**
Wu et al.

(10) **Patent No.:** **US D964,372 S**

(45) **Date of Patent:** **** Sep. 20, 2022**

(54) **ELECTRONIC BOOK READER HOUSING**

(71) Applicant: **NETRONIX, INC.**, Jubei (TW)

(72) Inventors: **Ling Ling Wu**, Jubei (TW); **Li Fang Fan**, Jubei (TW)

(73) Assignee: **Netronix, Inc.**, Jubei (TW)

(**) Term: **15 Years**

(21) Appl. No.: **29/771,587**

(22) Filed: **Feb. 24, 2021**

(51) **LOC (13) Cl.** **14-02**

(52) **U.S. Cl.**
USPC **D14/440**

(58) **Field of Classification Search**
USPC D14/440, 250, 447; 206/45.2, 45.23,
206/320; 361/679.55; 294/25; 224/218
CPC ... G06F 1/1628; G06F 1/1626; A47B 23/044;
H04B 1/3888
See application file for complete search history.

(56) **References Cited**

U.S. PATENT DOCUMENTS

D752,594 S *	3/2016	Matsuoka	D14/440
D765,085 S *	8/2016	Moore	D14/440
D769,879 S *	10/2016	Kim	D14/440
D780,740 S *	3/2017	Kim	D14/250
D872,723 S *	1/2020	Lee	D3/218
D872,724 S *	1/2020	Lee	D3/218

D881,180 S *	4/2020	Wright	D3/218
D888,037 S *	6/2020	Wright	D3/218
D888,039 S *	6/2020	Wright	D3/218
D925,215 S *	7/2021	Jung	D3/218
D933,351 S *	10/2021	Armstrong	D3/273
D934,869 S *	11/2021	Wright	D14/440
D941,023 S *	1/2022	Lee	D3/218

* cited by examiner

Primary Examiner — Katie Jane Stofko

(74) *Attorney, Agent, or Firm* — Rosenberg, Klein & Lee

(57) **CLAIM**

The ornamental design for an electronic book reader housing, as shown and described.

DESCRIPTION

FIG. 1 is a front, top and right side perspective view of an electronic book reader housing, showing our new design; FIG. 2 is a rear, top and right side perspective view thereof; FIG. 3 is a front, bottom and right side perspective view thereof; FIG. 4 is a front elevational view thereof; FIG. 5 is a rear elevational view thereof; FIG. 6 is a left side elevational view thereof; FIG. 7 is a right side elevational view thereof; FIG. 8 is a top plan view thereof; and, FIG. 9 is a bottom plan view thereof.

The broken lines in the figures show portions of the electronic book reader housing that form no part of the claimed design.

1 Claim, 8 Drawing Sheets

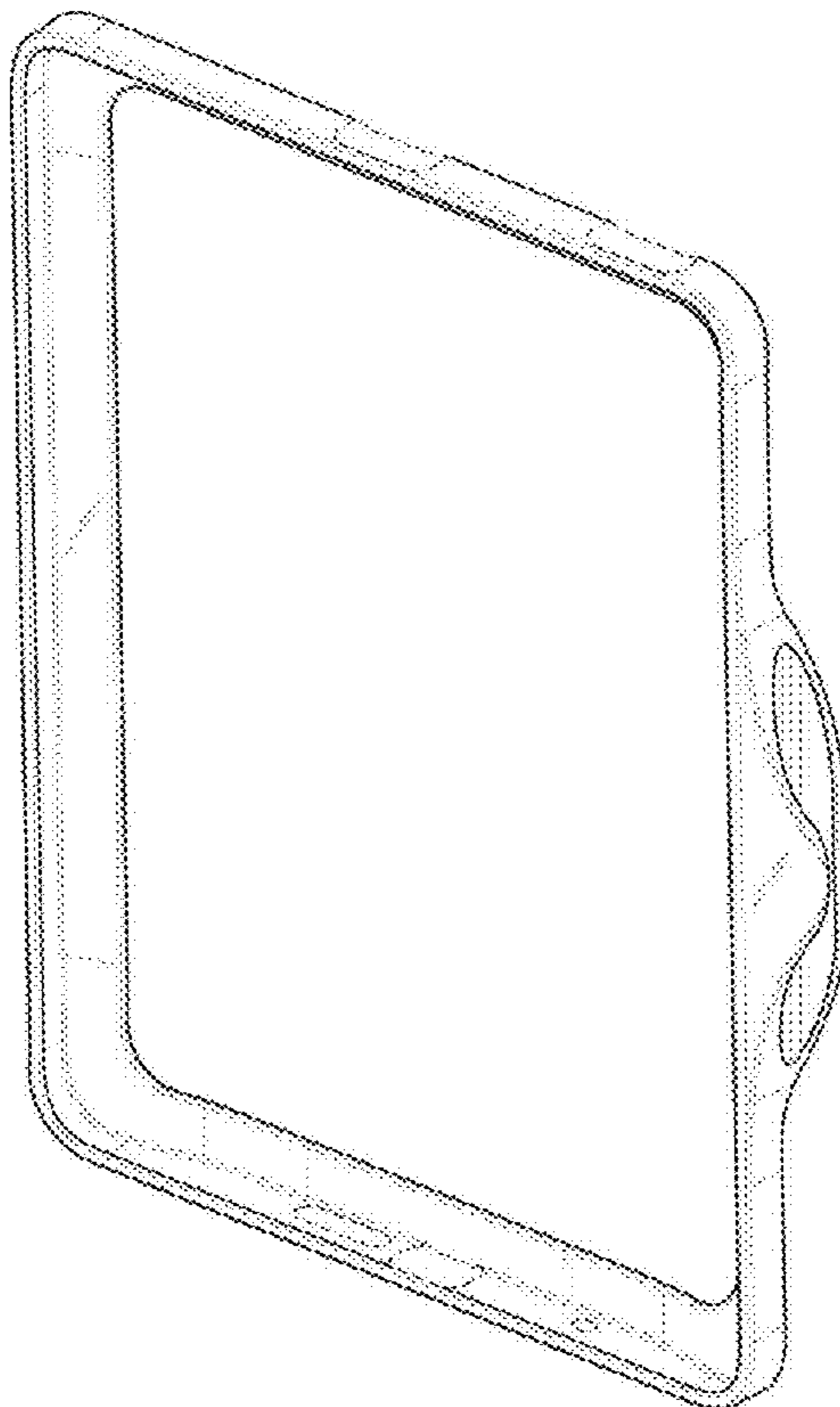


FIG. 1

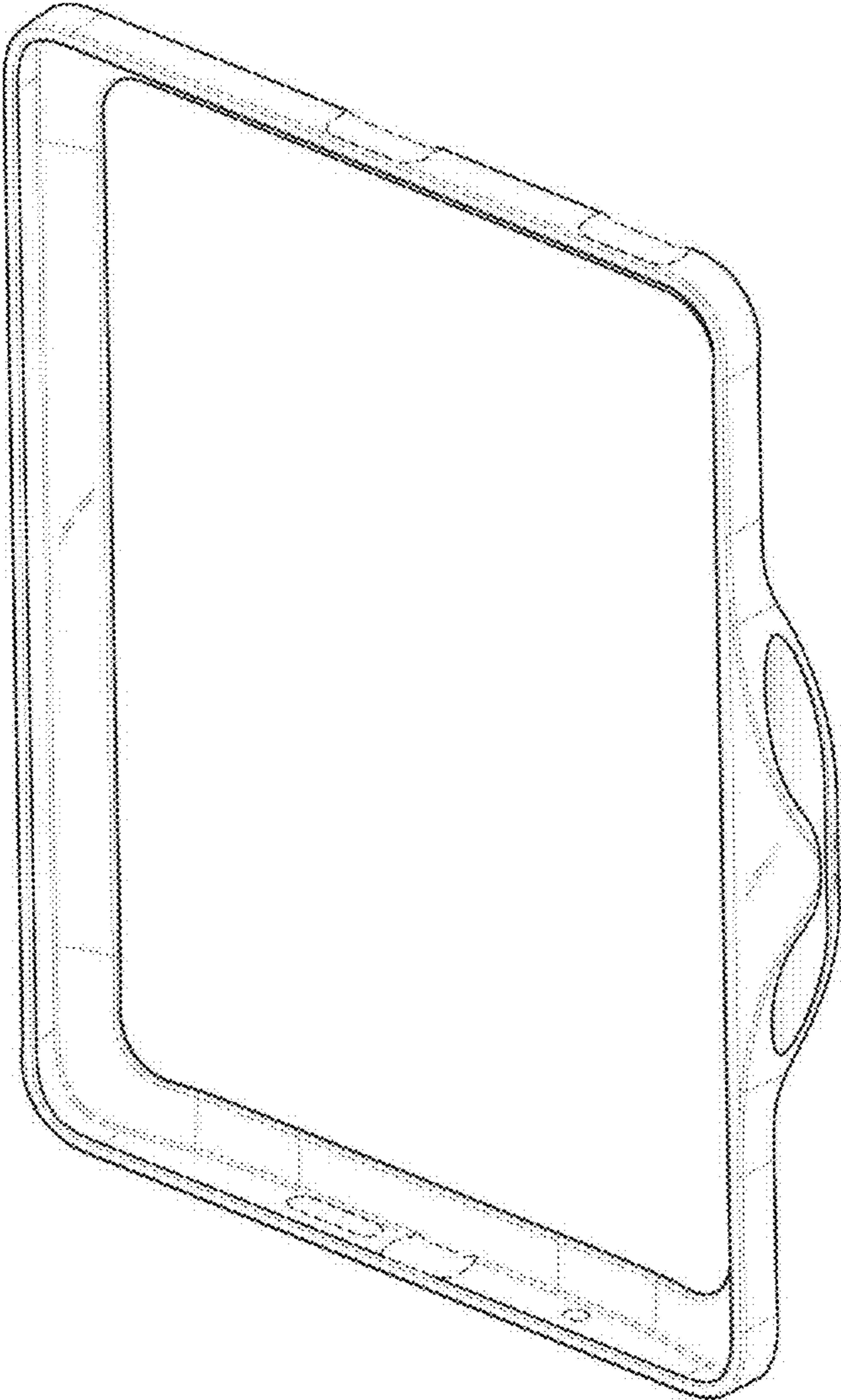


FIG. 2

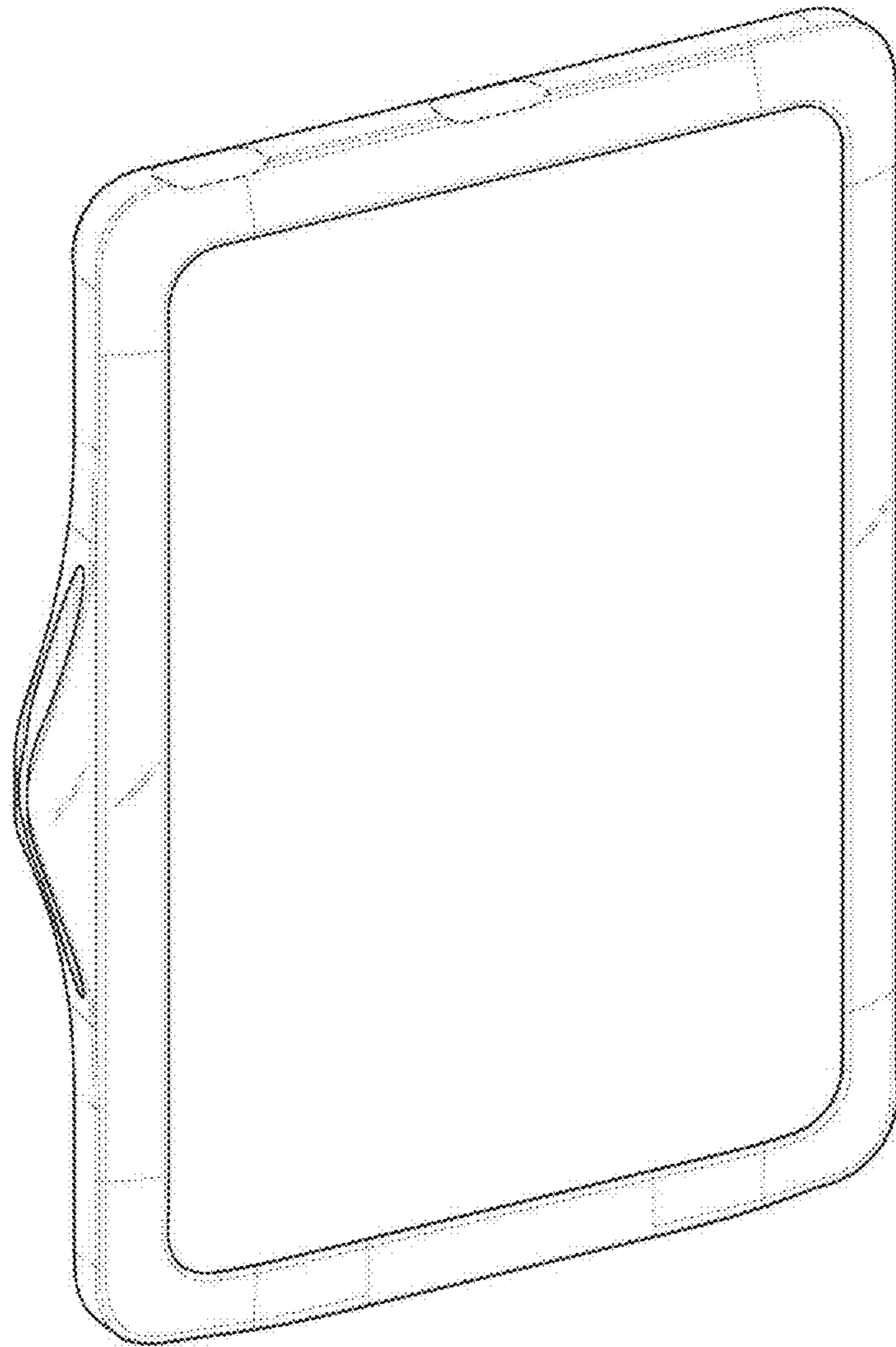


FIG. 3

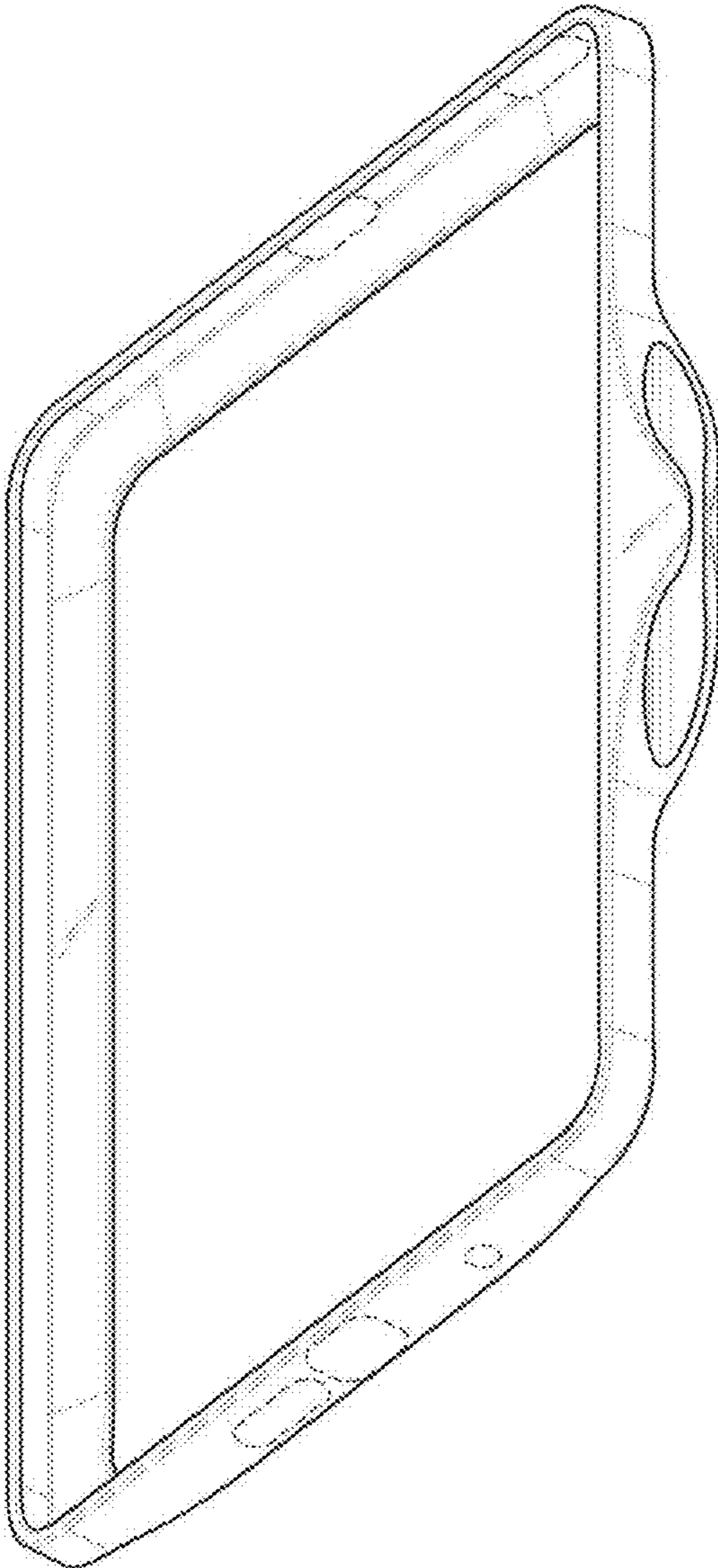


FIG. 4

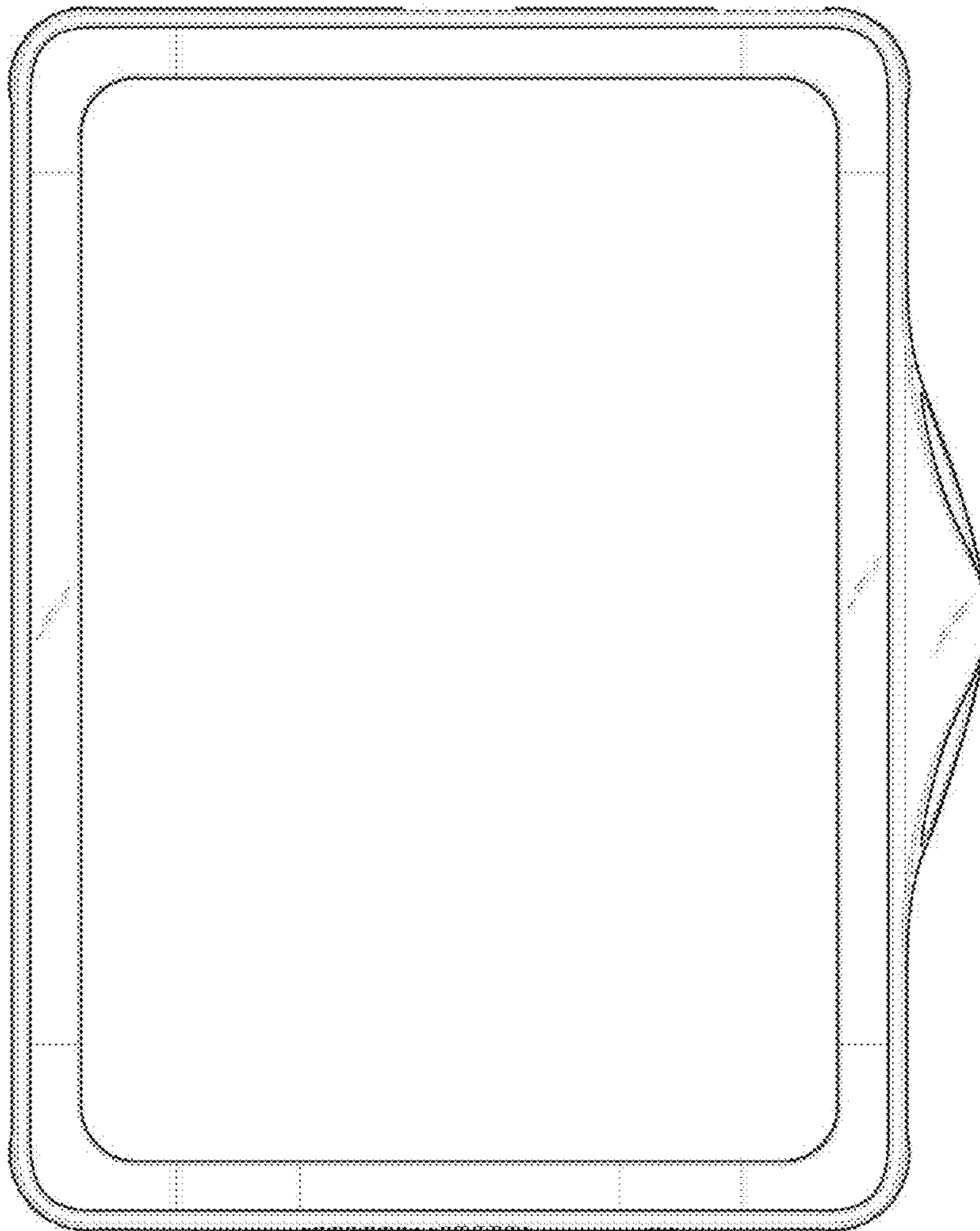


FIG. 5

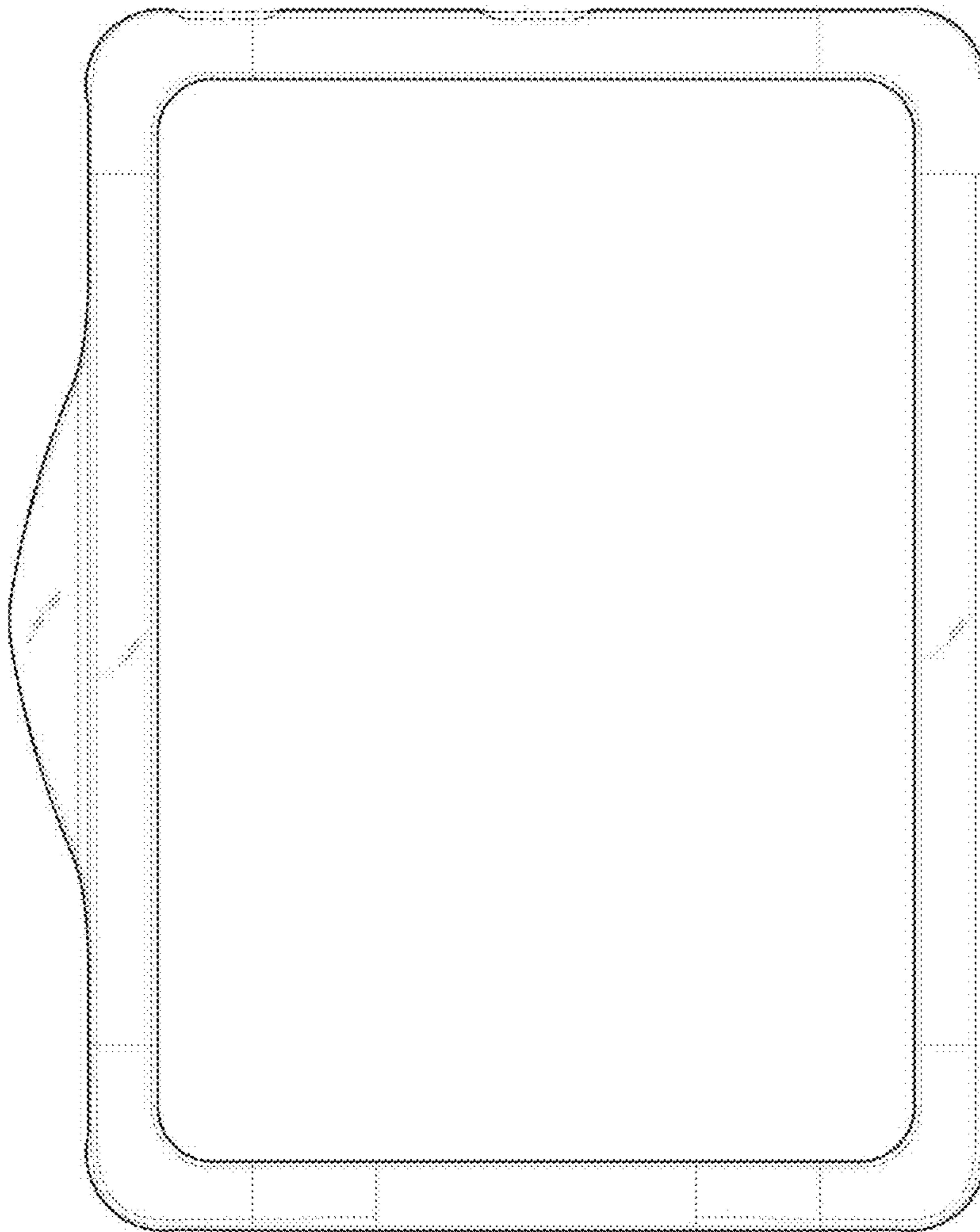


FIG. 6

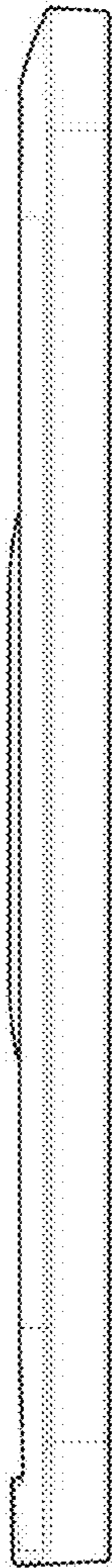


FIG. 7



FIG. 8

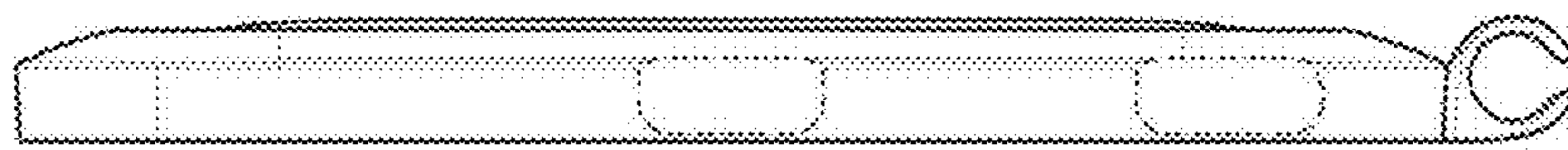


FIG. 9

