



US00D964371S

(12) **United States Design Patent**
Khong et al.

(10) **Patent No.: US D964,371 S**

(45) **Date of Patent: ** *Sep. 20, 2022**

(54) **SSD ADAPTER CONVERTER**

(71) Applicant: **KINGSTON TECHNOLOGY CORPORATION**, Fountain Valley, CA (US)

(72) Inventors: **Hieu Khong**, Westminster, CA (US);
Kevin Jun Sun, Irvine, CA (US)

(73) Assignee: **KINGSTON TECHNOLOGY CORPORATION**, Fountain Valley, CA (US)

(*) Notice: This patent is subject to a terminal disclaimer.

(**) Term: **15 Years**

(21) Appl. No.: **29/757,926**

(22) Filed: **Nov. 10, 2020**

(51) **LOC (13) Cl. 14-02**

(52) **U.S. Cl.**
USPC **D14/439**

(58) **Field of Classification Search**
USPC ... D14/439, 432, 434, 433, 435, 435.1, 356, D14/357, 440, 447, 251-253, 451, 452, D14/454, 217, 348, 353-355, 385, 260.1, D14/363, 365; D13/184, 133, 147
CPC G06K 13/00; G06K 13/06; G06K 13/063; G06K 13/08; G06K 13/382; G06K 7/0013; H01R 12/00; H01R 13/6594; G06F 13/00; G06F 13/387; G06F 13/409; G06F 2212/303; G06F 2213/3802; G06F 2213/3852; G06F 1/184; G06F 1/187; G11B 17/0281; G11B 17/03; G11B 23/0328

See application file for complete search history.

(56) **References Cited**

U.S. PATENT DOCUMENTS

D269,087 S * 5/1983 Nishi D14/435
D280,413 S * 9/1985 Grimes D14/435

D308,197 S * 5/1990 Inoue D14/433
4,941,841 A * 7/1990 Darden G06F 1/187
439/304
D311,737 S * 10/1990 Westwood D14/435
D317,913 S * 7/1991 Inoue D14/433
D368,258 S * 3/1996 Ojeda D14/368
D371,353 S * 7/1996 Ashida D14/438
5,765,933 A * 6/1998 Paul H01R 13/6335
439/157

(Continued)

Primary Examiner — Marie D. Fast Horse

(74) *Attorney, Agent, or Firm* — Law Offices of S.J. Christine Yang

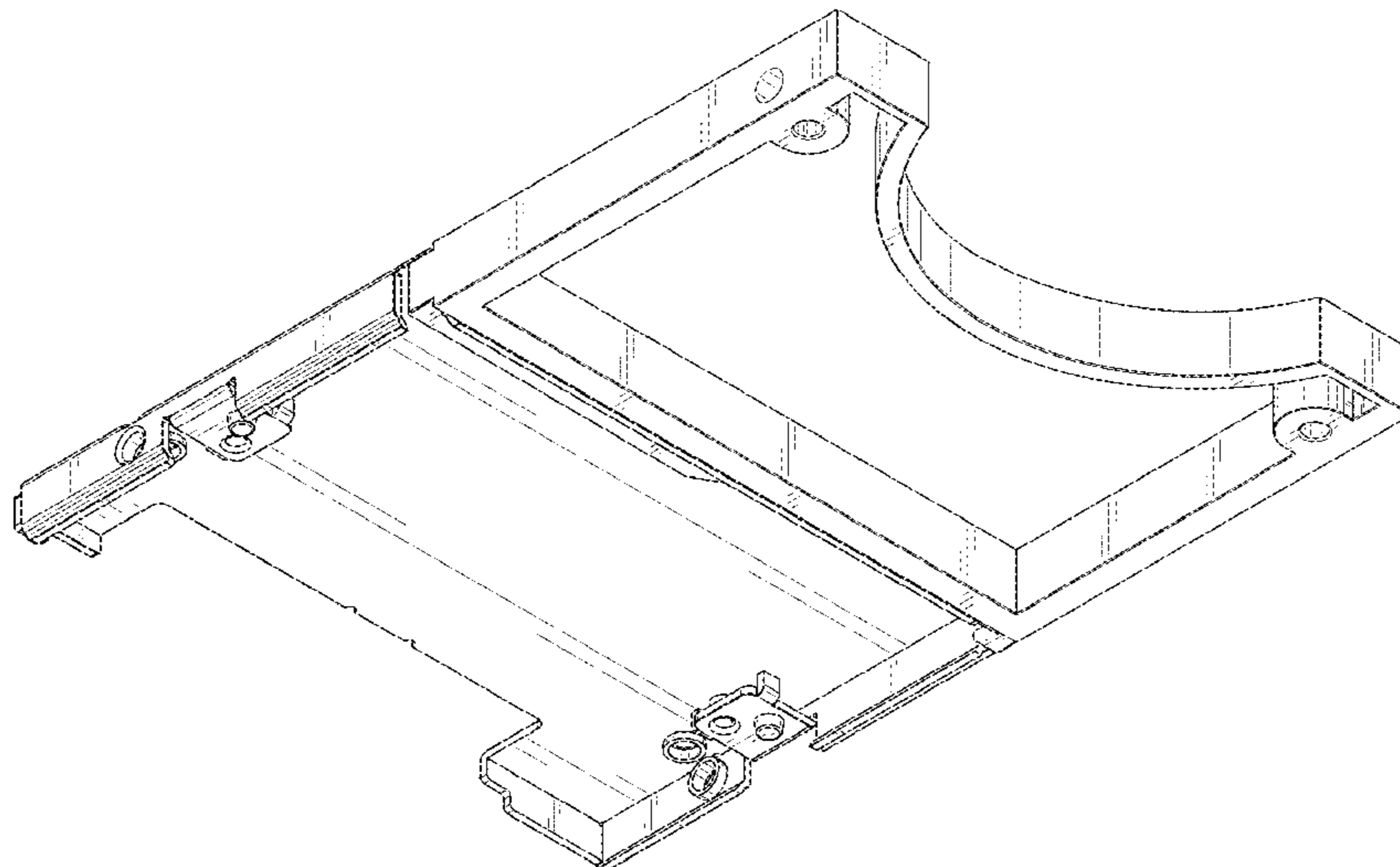
(57) **CLAIM**

The ornamental design for an SSD adapter converter, as shown and described.

DESCRIPTION

FIG. 1 is a perspective view of an adapter converter for an SSD adapter converter showing our new design.
FIG. 2 is another perspective view of the adapter converter of FIG. 1.
FIG. 3 is a first side view of the adapter converter of FIG. 1.
FIG. 4 is a second side view of the adapter converter of FIG. 1 showing the receptable end of the adapter converter.
FIG. 5 is a third side view of the adapter converter of FIG. 1.
FIG. 6 is a fourth side view of the adapter converter of FIG. 1.
FIG. 7 is a fifth side view of the adapter converter of FIG. 1; and,
FIG. 8 is a sixth side view of the adapter converter of FIG. 1.
In the drawings, the shade lines indicate the character and contour of the surfaces represented, not to be confused with surface ornamentation.

1 Claim, 6 Drawing Sheets



(56)

References Cited

U.S. PATENT DOCUMENTS

D396,700 S * 8/1998 Butts D14/385
 D404,383 S * 1/1999 Chang D14/367
 D407,591 S * 4/1999 Bologna D3/201
 D412,326 S * 7/1999 Gianfagna D14/435
 D417,212 S * 11/1999 Oba D14/435
 D423,479 S * 4/2000 Alo D14/260.1
 D424,048 S * 5/2000 Iftikar D14/435
 D435,256 S * 12/2000 Hibino D14/435
 D442,181 S * 5/2001 Alo D14/432
 D447,484 S * 9/2001 Reznikov G11B 33/122
 D451,501 S * 12/2001 Sward D14/242
 D451,508 S * 12/2001 Liston D14/385
 D453,515 S * 2/2002 Brewer D14/435
 D455,422 S * 4/2002 Bath D14/367
 D458,610 S * 6/2002 Kadonaga D14/435
 D458,924 S * 6/2002 Tsuyuki D14/367
 D460,453 S * 7/2002 Homma D14/435
 D468,732 S * 1/2003 Zdinak D14/439
 6,524,137 B1 * 2/2003 Liu G06K 19/07741
 6,556,432 B2 * 4/2003 Chen G06F 1/187
 6,629,860 B1 * 10/2003 Hu H01R 13/6594
 D483,374 S * 12/2003 Hung D14/439
 D484,508 S * 12/2003 Crippen D14/439
 D485,840 S * 1/2004 Yokoyama D14/385
 D487,090 S * 2/2004 Wilson D14/439
 D489,725 S * 5/2004 Hu D14/433
 D490,083 S * 5/2004 Wu D14/439
 D503,172 S * 3/2005 Izumi D14/385
 D505,133 S * 5/2005 Ashida D14/435
 D509,219 S * 9/2005 Avery D14/435
 D513,751 S * 1/2006 Alo D14/442
 D523,860 S * 6/2006 Xu D14/436
 D524,816 S * 7/2006 Kimura D14/433
 D529,029 S * 9/2006 Sekine D14/433
 D529,915 S * 10/2006 Scicluna D14/439
 D544,841 S * 6/2007 Nishio D13/147
 D556,204 S * 11/2007 Tosh D14/439
 D559,188 S * 1/2008 Chiang D13/147
 D563,406 S * 3/2008 Kato D14/385
 D563,956 S * 3/2008 Kato D14/348

D565,573 S * 4/2008 Alo D14/435
 D566,655 S * 4/2008 Chen D13/147
 D576,163 S * 9/2008 Sasaki D14/363
 D586,815 S * 2/2009 Friedman D14/435
 D603,409 S * 11/2009 Ishida D14/435
 D613,293 S * 4/2010 Sheba D3/247
 D627,786 S * 11/2010 Hsia D3/247
 D632,297 S * 2/2011 Berntsen D14/435
 D632,695 S * 2/2011 Berntsen D14/435
 D642,578 S * 8/2011 Aoki D14/435
 D658,185 S * 4/2012 Aoki D14/436
 8,244,942 B2 * 8/2012 Dean G06F 1/187
 D667,402 S * 9/2012 Maus D14/385
 D667,829 S * 9/2012 Berntsen D14/435
 D681,635 S * 5/2013 Wang D14/366
 D688,662 S * 8/2013 Gomez D14/348
 D692,883 S * 11/2013 Chen D14/367
 D714,789 S * 10/2014 Chen D14/435
 D729,249 S * 5/2015 Sun D14/435
 D732,537 S * 6/2015 Kostrzewski D14/435
 D733,713 S * 7/2015 Shim D14/435
 D736,770 S * 8/2015 Chou D14/367
 D742,887 S * 11/2015 Ignomirello D14/439
 D743,403 S * 11/2015 Ehara D14/432
 D743,404 S * 11/2015 Ignomirello D14/439
 D747,716 S * 1/2016 Spencer D14/348
 D756,989 S * 5/2016 Sekine D14/260.1
 D773,469 S * 12/2016 Ellis, II D14/439
 D794,032 S * 8/2017 You D14/435
 D804,484 S * 12/2017 Kim D14/435
 D854,545 S * 7/2019 Woo D14/435
 D866,562 S * 11/2019 Konovalov D14/439
 D881,193 S * 4/2020 Konovalov D14/439
 D881,194 S * 4/2020 Konovalov D14/439
 2003/0064627 A1 * 4/2003 Ooya H01R 13/6594
 2003/0119364 A1 * 6/2003 Liu G06K 7/0013
 2004/0114321 A1 * 6/2004 Roh G06F 1/187
 2015/0146364 A1 * 5/2015 Chou H05K 7/142
 2016/0259754 A1 * 9/2016 Ping G06F 3/0632
 2018/0081844 A1 * 3/2018 Potter G06F 13/4072
 2018/0189218 A1 * 7/2018 Ehlen G06F 13/409

* cited by examiner

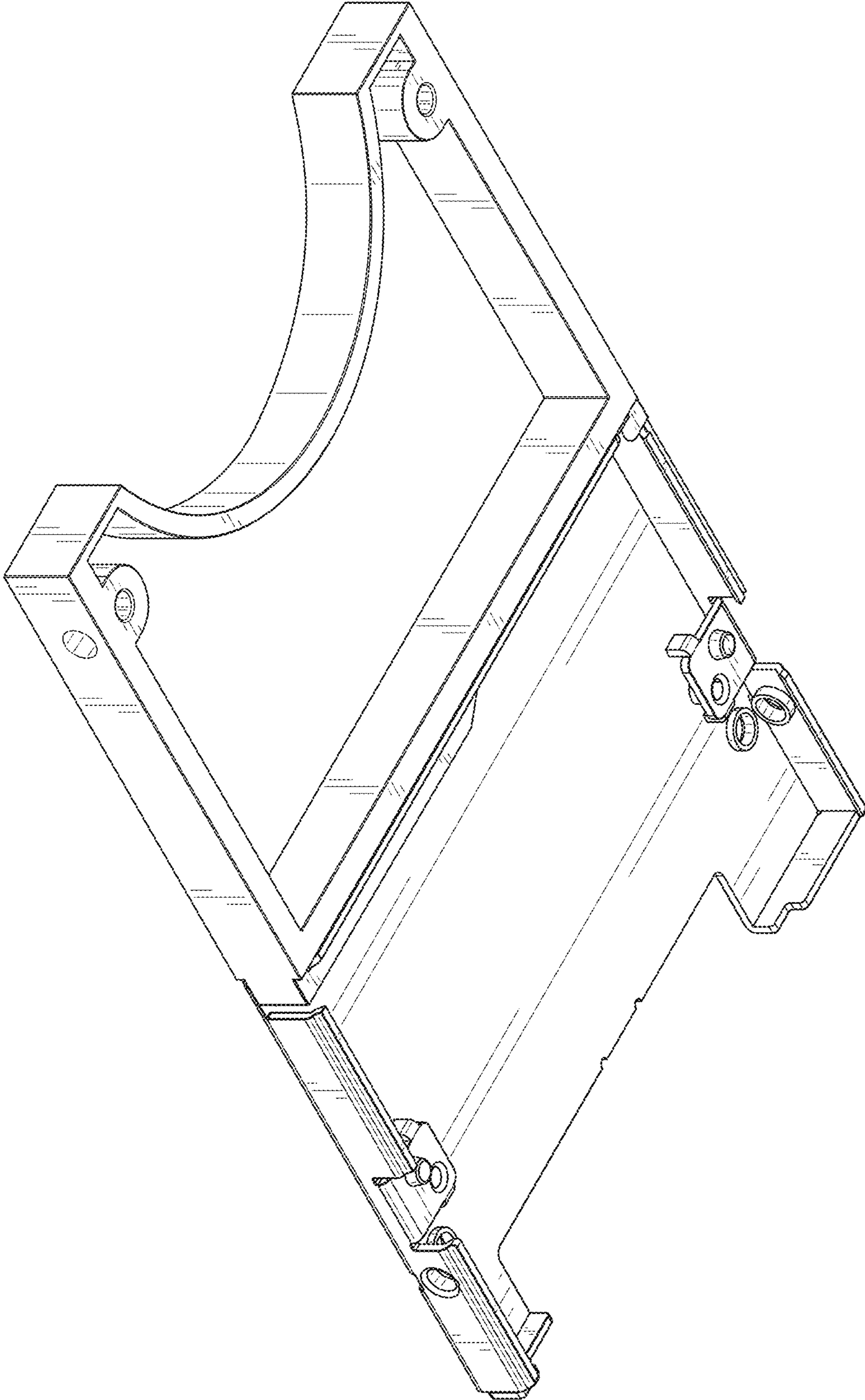


FIG. 1

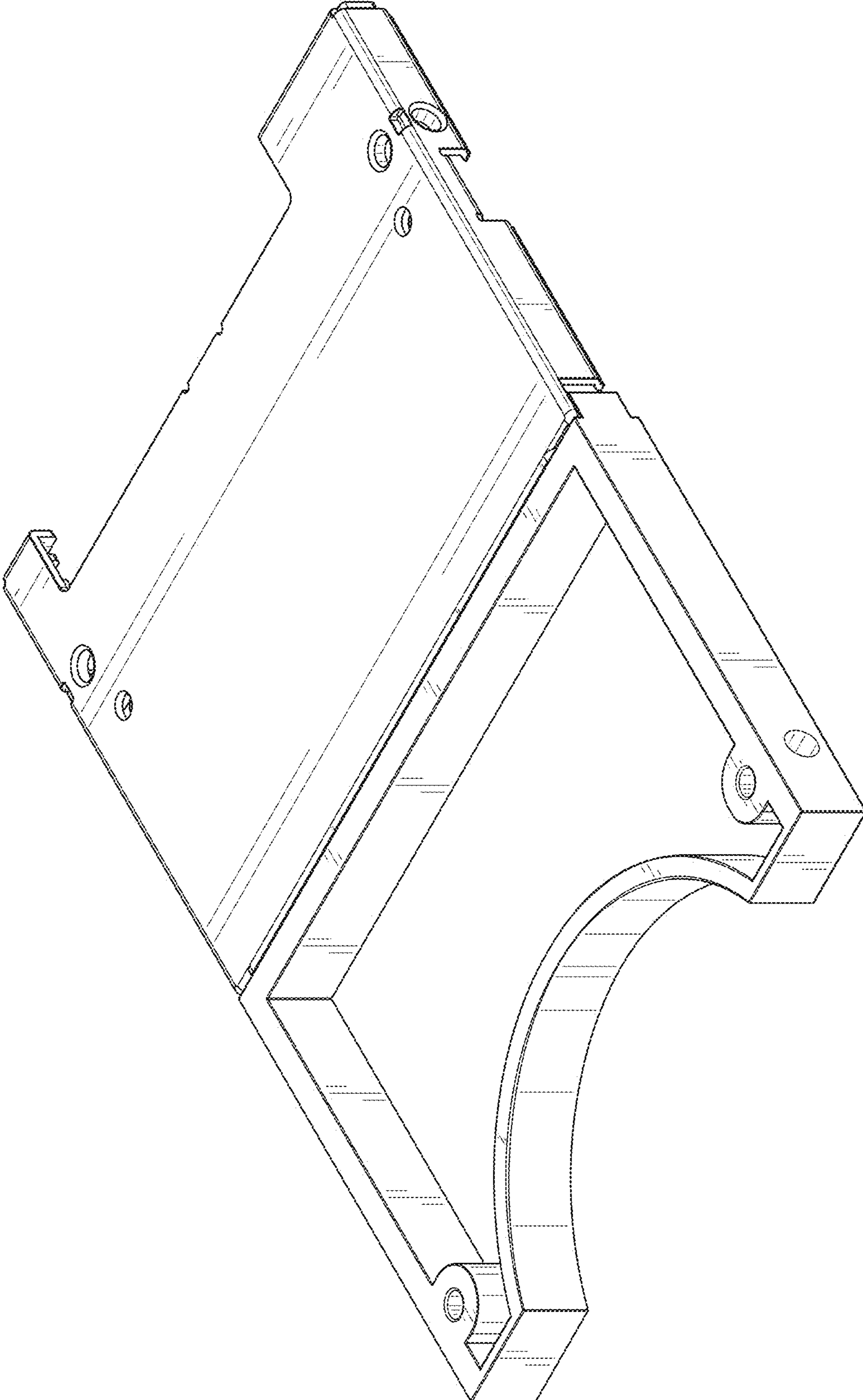


FIG. 2



FIG. 3

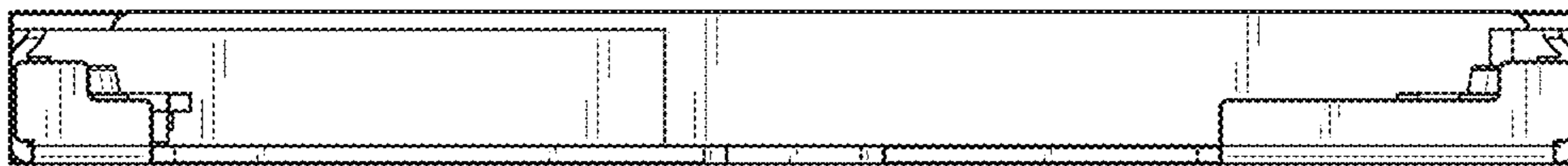


FIG. 4

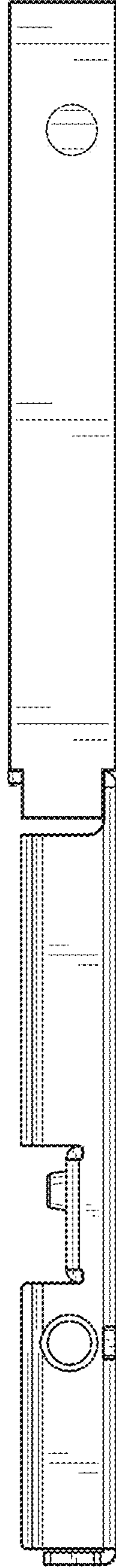


FIG. 5

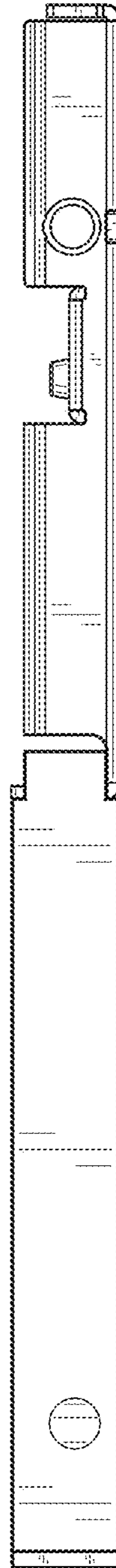


FIG. 6

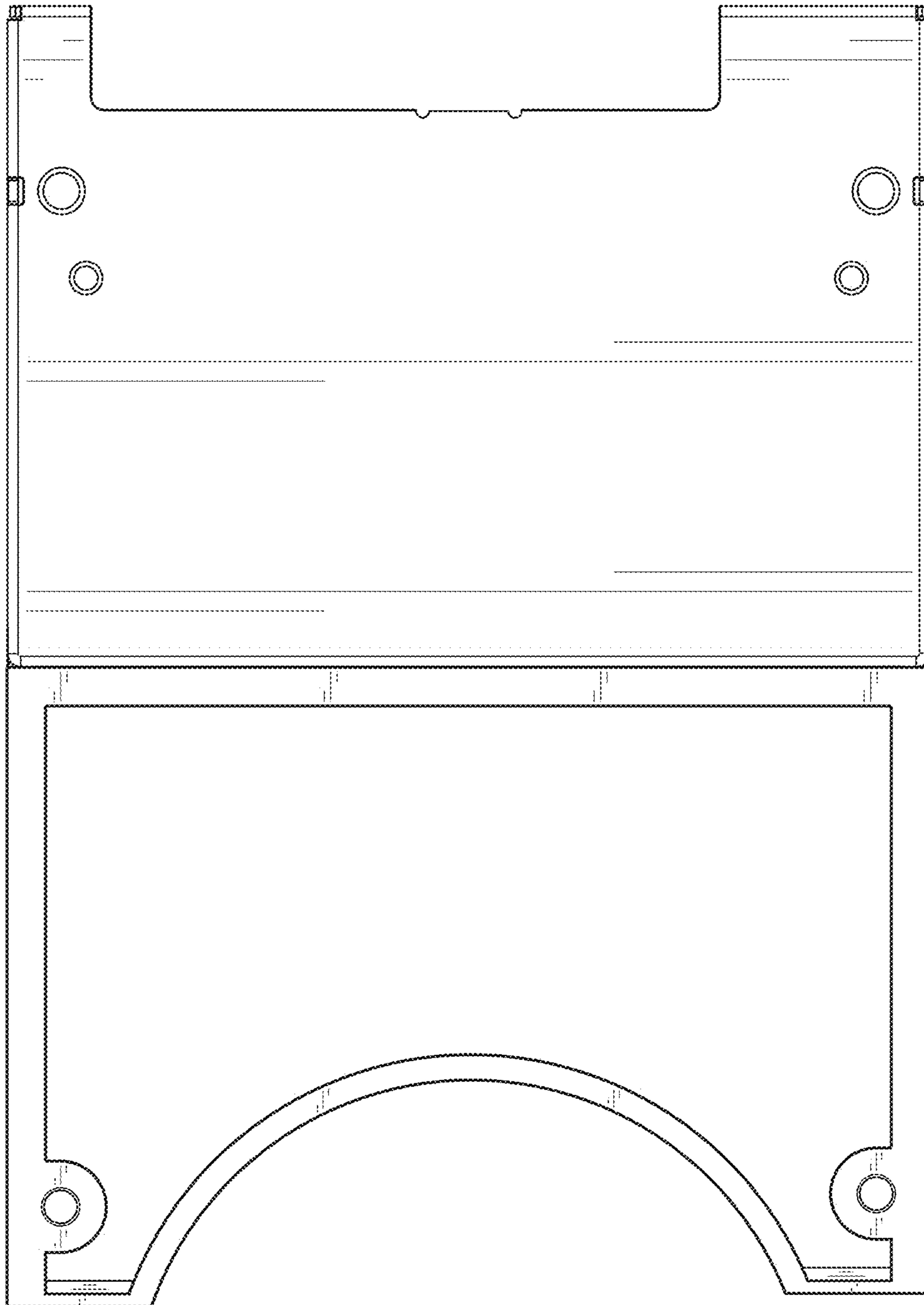


FIG. 7

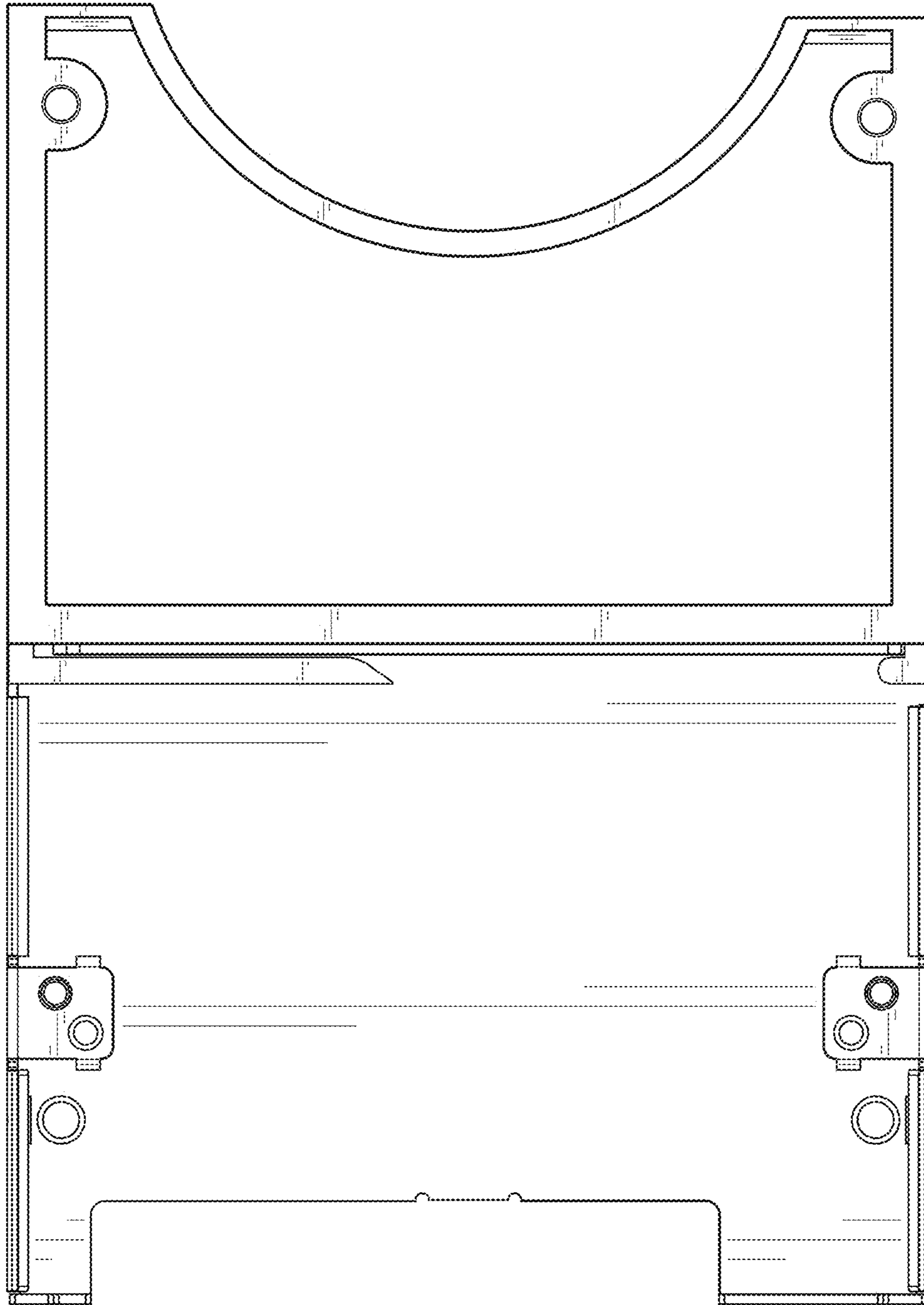


FIG. 8