



US00D964370S

(12) **United States Design Patent**
Khong et al.

(10) **Patent No.:** **US D964,370 S**

(45) **Date of Patent:** **** *Sep. 20, 2022**

(54) **SSD ADAPTER CONVERTER**

(71) Applicant: **KINGSTON TECHNOLOGY CORPORATION**, Fountain Valley, CA (US)

(72) Inventors: **Hieu Khong**, Westminster, CA (US);
Kevin Jun Sun, Irvine, CA (US)

(73) Assignee: **KINGSTON TECHNOLOGY CORPORATION**, Fountain Valley, CA (US)

(*) Notice: This patent is subject to a terminal disclaimer.

(**) Term: **15 Years**

(21) Appl. No.: **29/757,925**

(22) Filed: **Nov. 10, 2020**

(51) **LOC (13) Cl.** **14-02**

(52) **U.S. Cl.**
USPC **D14/439**

(58) **Field of Classification Search**
USPC ... D14/439, 432, 434, 433, 435, 435.1, 356, D14/357, 440, 447, 251-253, 451, 452, D14/454, 217, 348, 353-355, 385, 260.1, D14/363, 365; D13/184, 133, 147
CPC G06K 13/00; G06K 13/06; G06K 13/063; G06K 13/08; G06K 13/382; G06K 7/0013; H01R 12/00; H01R 13/6594; G06F 13/00; G06F 13/387; G06F 13/409; G06F 2212/303; G06F 2213/3802; G06F 2213/3852; G06F 1/184; G06F 1/187; G11B 17/0281; G11B 17/03; G11B 23/0328
See application file for complete search history.

(56) **References Cited**

U.S. PATENT DOCUMENTS

D269,087 S * 5/1983 Nishi D14/435
D280,413 S * 9/1985 Grimes D14/435

D308,197 S * 5/1990 Inoue D14/433
4,941,841 A * 7/1990 Darden G06F 1/187
439/304
D311,737 S * 10/1990 Westwood D14/435
D317,913 S * 7/1991 Inoue D14/433
D368,258 S * 3/1996 Ojeda D14/368
D371,353 S * 7/1996 Ashida D14/438

(Continued)

Primary Examiner — Marie D. Fast Horse

(74) *Attorney, Agent, or Firm* — Law Offices of S. J. Christine Yang

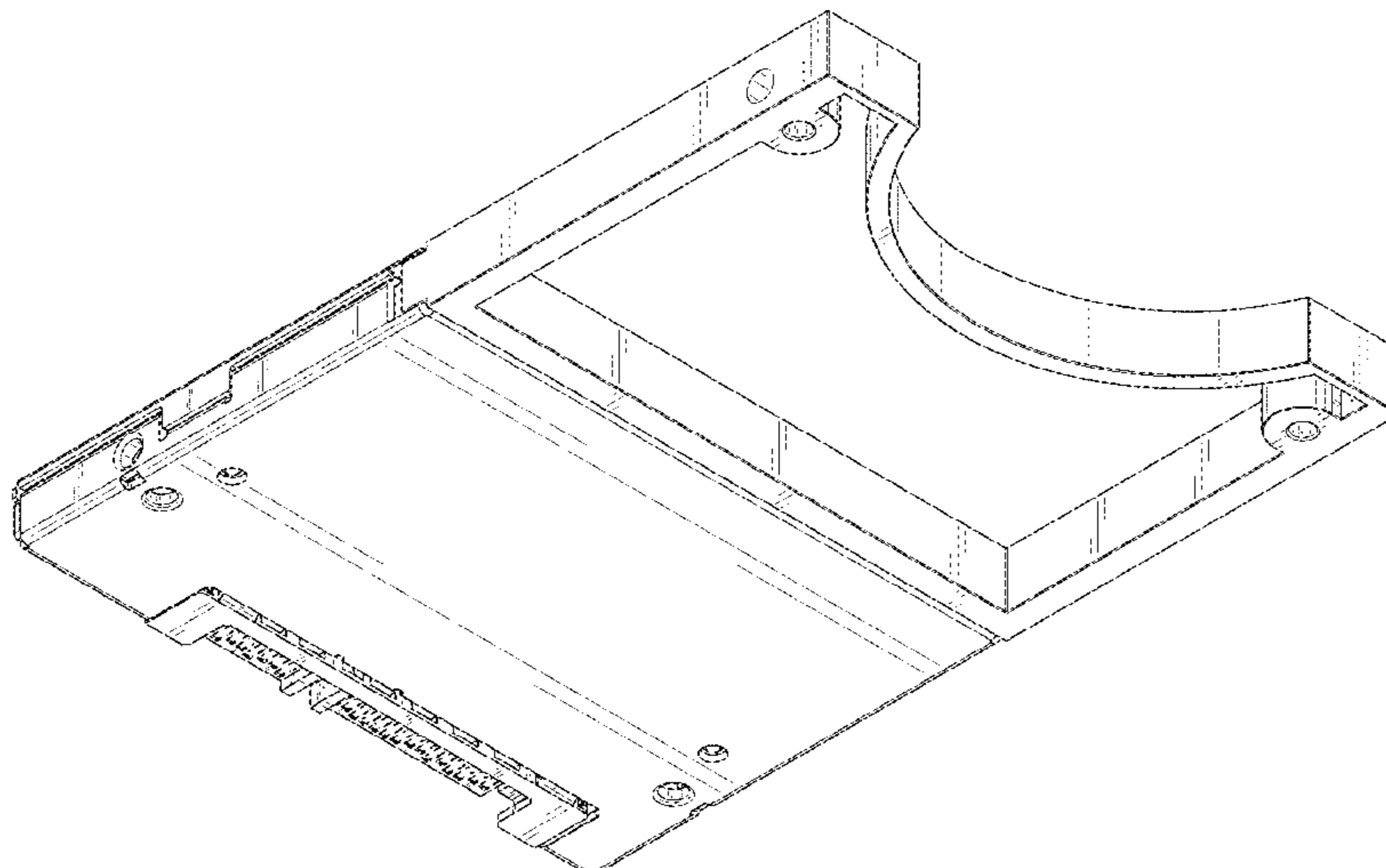
(57) **CLAIM**

The ornamental design for an SSD adapter converter, as shown and described.

DESCRIPTION

FIG. 1 is a perspective view of an adapter converter for an SSD adapter converter showing our new design.
FIG. 2 is another perspective view of the adapter converter of FIG. 1.
FIG. 3 is a first side view of the adapter converter of FIG. 1.
FIG. 4 is a second side view of the adapter converter of FIG. 1 showing the receptable end of the adapter converter.
FIG. 5 is a third side view of the adapter converter of FIG. 1.
FIG. 6 is a fourth side view of the adapter converter of FIG. 1.
FIG. 7 is a fifth side view of the adapter converter of FIG. 1; and,
FIG. 8 is a sixth side view of the adapter converter of FIG. 1.
In the drawings, the shade lines indicate the character and contour of the surfaces represented, not to be confused with surface ornamentation. The broken lines depict environmental subject matter and form no part of the claim.

1 Claim, 6 Drawing Sheets



(56)

References Cited

U.S. PATENT DOCUMENTS

5,765,933	A *	6/1998	Paul	H01R 13/6335				
					439/157				
D396,700	S *	8/1998	Butts	D14/385				
D404,383	S *	1/1999	Chang	D14/367				
D407,591	S *	4/1999	Bologna	D3/201				
D412,326	S *	7/1999	Gianfagna	D14/435				
D417,212	S *	11/1999	Oba	D14/435				
D423,479	S *	4/2000	Alo	D14/260.1				
D424,048	S *	5/2000	Iftikar	D14/435				
D435,256	S *	12/2000	Hibino	D14/435				
D442,181	S *	5/2001	Alo	D14/432				
D447,484	S *	9/2001	Reznikov	G11B 33/122				
					D14/441				
D451,501	S *	12/2001	Sward	D14/242				
D451,508	S *	12/2001	Liston	D14/385				
D453,515	S *	2/2002	Brewer	D14/435				
D455,422	S *	4/2002	Bath	D14/367				
D458,610	S *	6/2002	Kadonaga	D14/435				
D458,924	S *	6/2002	Tsuyuki	D14/367				
D460,453	S *	7/2002	Homma	D14/435				
D468,732	S *	1/2003	Zdinak	D14/439				
6,524,137	B1 *	2/2003	Liu	G06K 19/07741				
					439/945				
6,556,432	B2 *	4/2003	Chen	G06F 1/187				
6,629,860	B1 *	10/2003	Hu	H01R 13/6594				
					439/607.31				
D483,374	S *	12/2003	Hung	D14/439				
D484,508	S *	12/2003	Crippen	D14/439				
D485,840	S *	1/2004	Yokoyama	D14/385				
D487,090	S *	2/2004	Wilson	D14/439				
D489,725	S *	5/2004	Hu	D14/433				
D490,083	S *	5/2004	Wu	D14/439				
D503,172	S *	3/2005	Izumi	D14/385				
D505,133	S *	5/2005	Ashida	D14/435				
D509,219	S *	9/2005	Avery	D14/435				
D513,751	S *	1/2006	Alo	D14/442				
D523,860	S *	6/2006	Xu	D14/436				
D524,816	S *	7/2006	Kimura	D14/433				
D529,029	S *	9/2006	Sekine	D14/433				
D529,915	S *	10/2006	Sciicluna	D14/439				
D544,841	S *	6/2007	Nishio	D13/147				
D556,204	S *	11/2007	Tosh	D14/439				
D559,188	S *	1/2008	Chiang	D13/147				
D563,406	S *	3/2008	Kato	D14/385				
D563,956	S *	3/2008	Kato	D14/348				
D565,573	S *	4/2008	Alo	D14/435				
D566,655	S *	4/2008	Chen	D13/147				
D576,163	S *	9/2008	Sasaki	D14/363				
D586,815	S *	2/2009	Friedman	D14/435				
D603,409	S *	11/2009	Ishida	D14/435				
D613,293	S *	4/2010	Sheba	D3/247				
D627,786	S *	11/2010	Hsia	D3/247				
D632,297	S *	2/2011	Berntsen	D14/435				
D632,695	S *	2/2011	Berntsen	D14/435				
D642,578	S *	8/2011	Aoki	D14/435				
D658,185	S *	4/2012	Aoki	D14/436				
8,244,942	B2 *	8/2012	Dean	G06F 1/187				
					710/72				
D667,402	S *	9/2012	Maus	D14/385				
D667,829	S *	9/2012	Berntsen	D14/435				
D681,635	S *	5/2013	Wang	D14/366				
D688,662	S *	8/2013	Gomez	D14/348				
D692,883	S *	11/2013	Chen	D14/367				
D714,789	S *	10/2014	Chen	D14/435				
D729,249	S *	5/2015	Sun	D14/435				
D732,537	S *	6/2015	Kostrzewski	D14/435				
D733,713	S *	7/2015	Shim	D14/435				
D736,770	S *	8/2015	Chou	D14/367				
D742,887	S *	11/2015	Ignomirello	D14/439				
D743,403	S *	11/2015	Ehara	D14/432				
D743,404	S *	11/2015	Ignomirello	D14/439				
D747,716	S *	1/2016	Spencer	D14/348				
D756,989	S *	5/2016	Sekine	D14/260.1				
D773,469	S *	12/2016	Ellis, II	D14/439				
D794,032	S *	8/2017	You	D14/435				
D804,484	S *	12/2017	Kim	D14/435				
D854,545	S *	7/2019	Woo	D14/435				
D866,562	S *	11/2019	Konovalov	D14/439				
D881,193	S *	4/2020	Konovalov	D14/439				
D881,194	S *	4/2020	Konovalov	D14/439				
2003/0064627	A1 *	4/2003	Ooya	H01R 13/6594				
					439/630				
2003/0119364	A1 *	6/2003	Liu	G06K 7/0013				
					439/630				
2004/0114321	A1 *	6/2004	Roh	G06F 1/187				
2015/0146364	A1 *	5/2015	Chou	H05K 7/142				
					174/562				
2016/0259754	A1 *	9/2016	Ping	G06F 3/0632				
2018/0081844	A1 *	3/2018	Potter	G06F 13/4072				
2018/0189218	A1 *	7/2018	Ehlen	G06F 13/409				

* cited by examiner

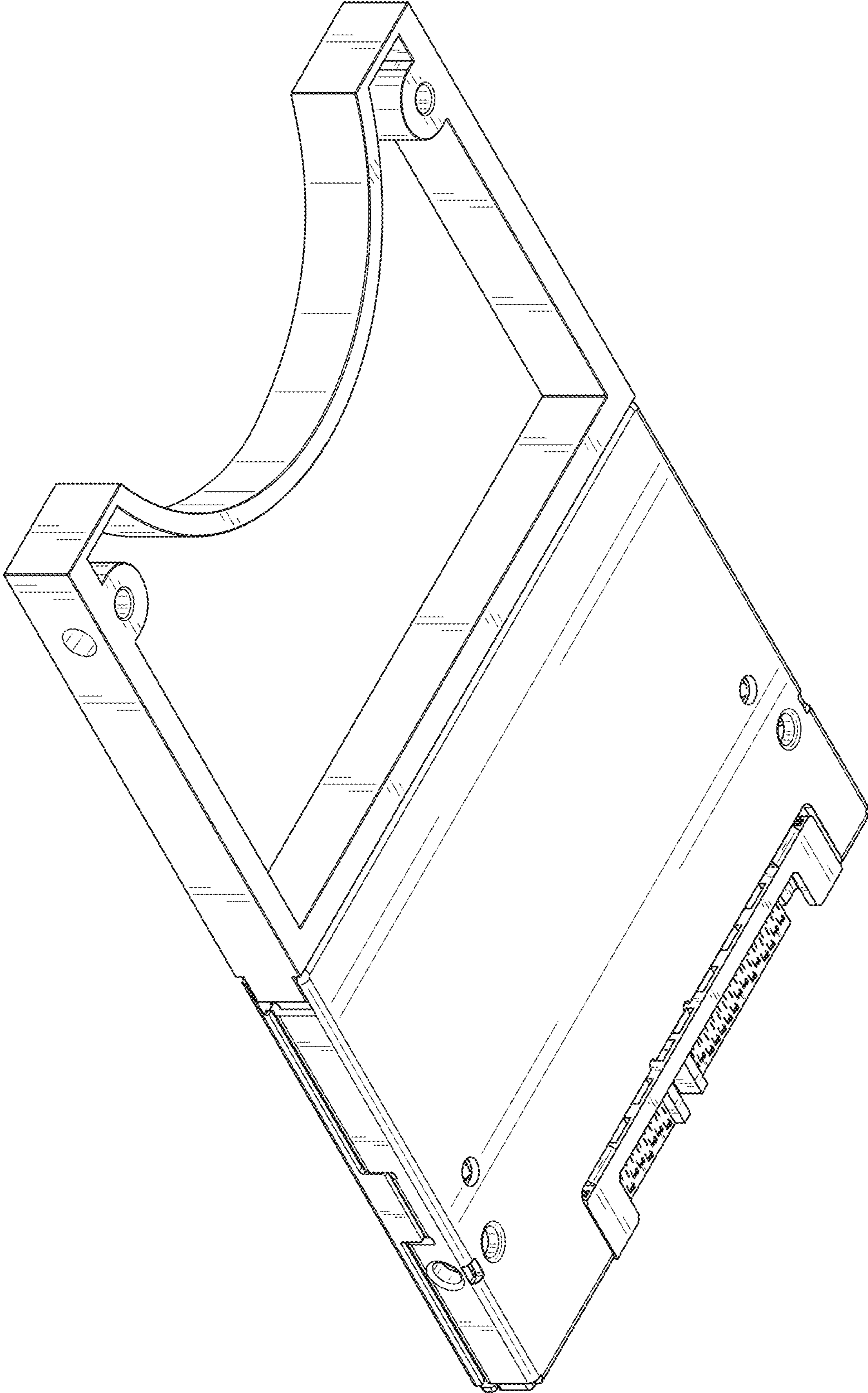


FIG. 1

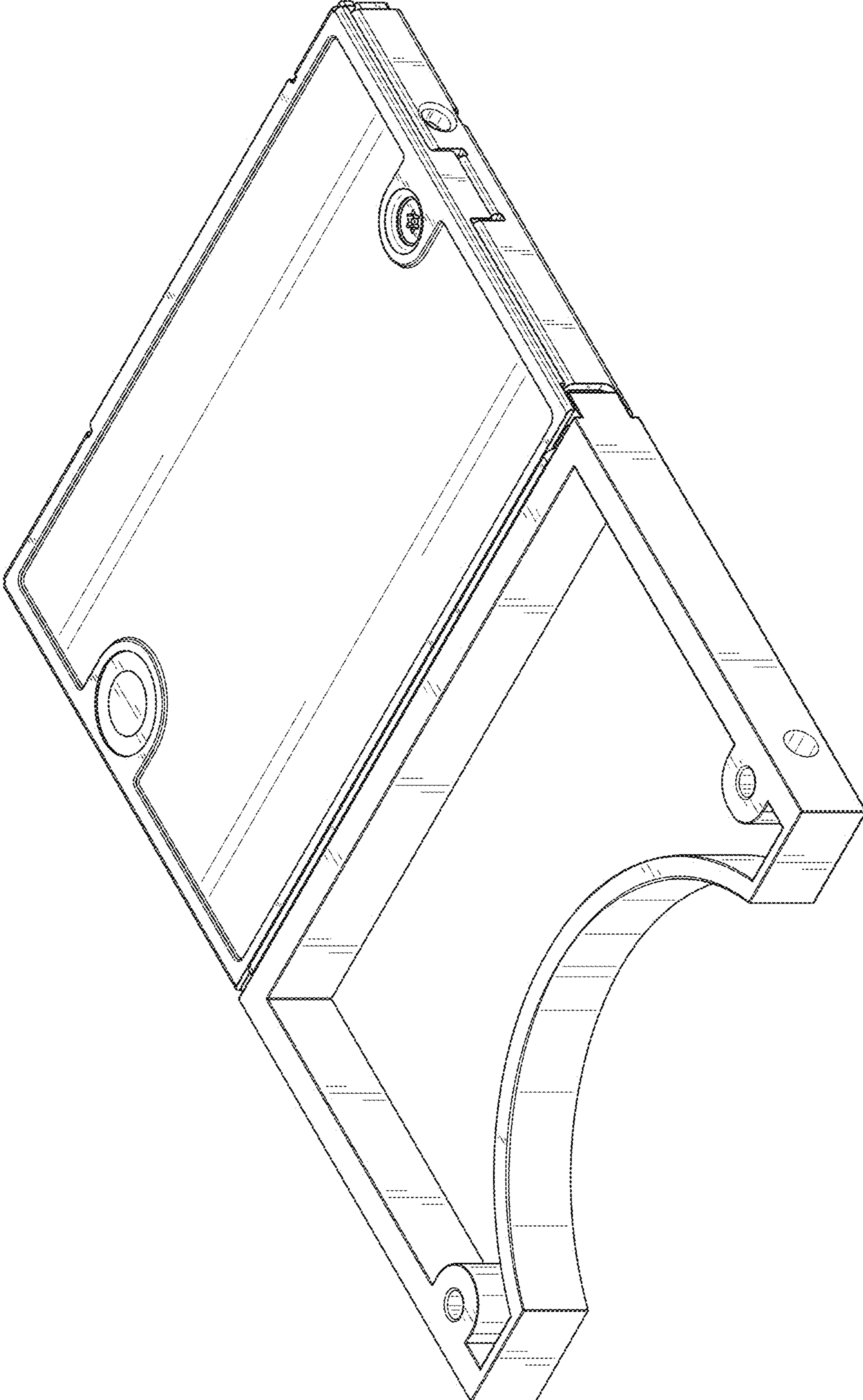


FIG. 2



FIG. 3

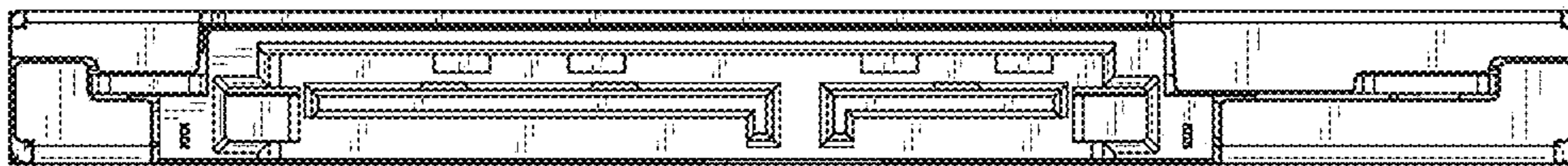


FIG. 4

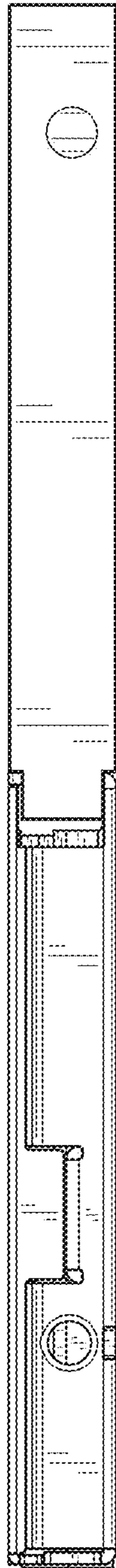


FIG. 5

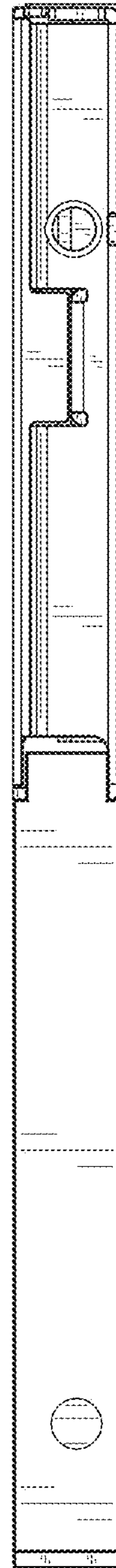


FIG. 6

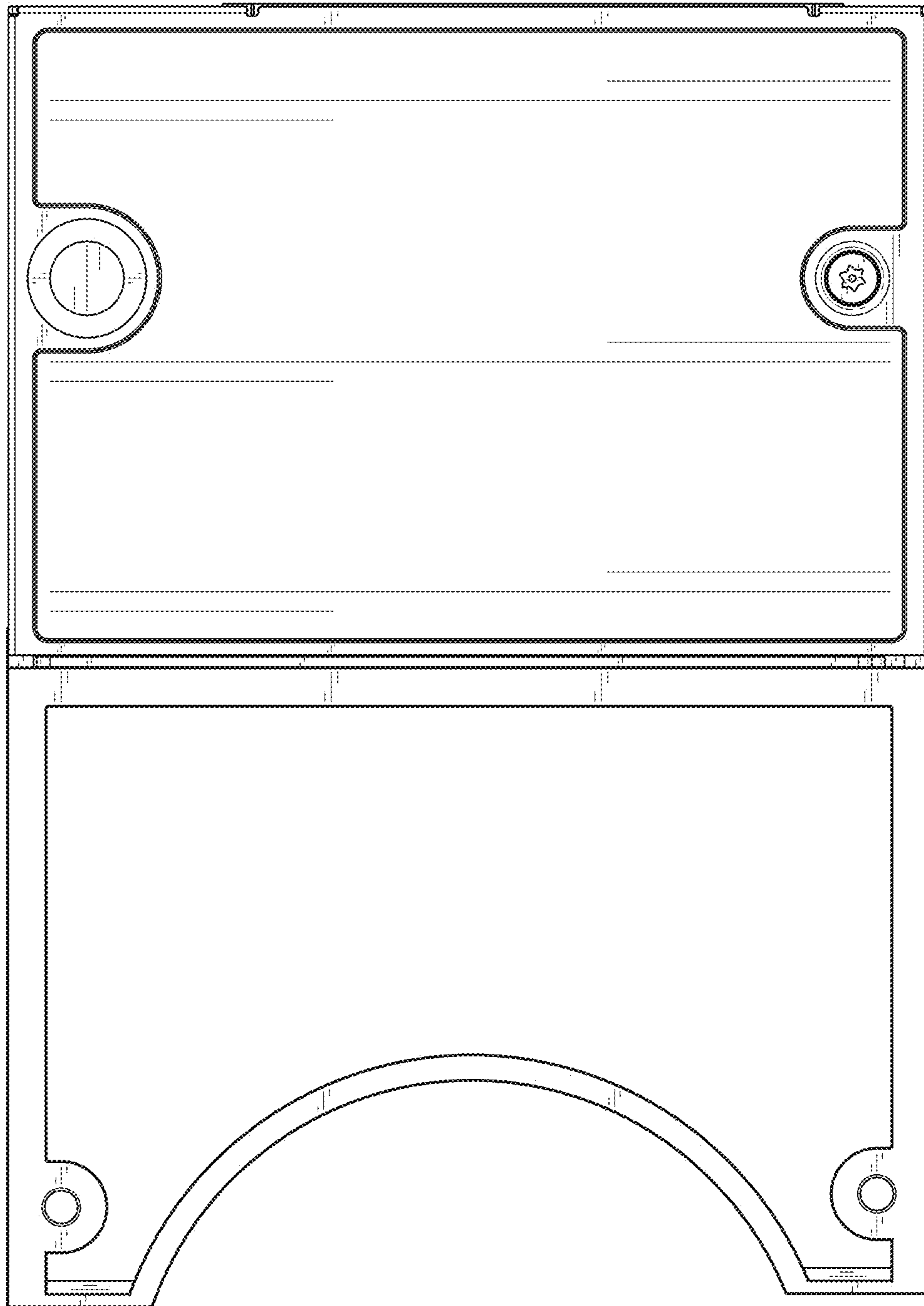


FIG. 7

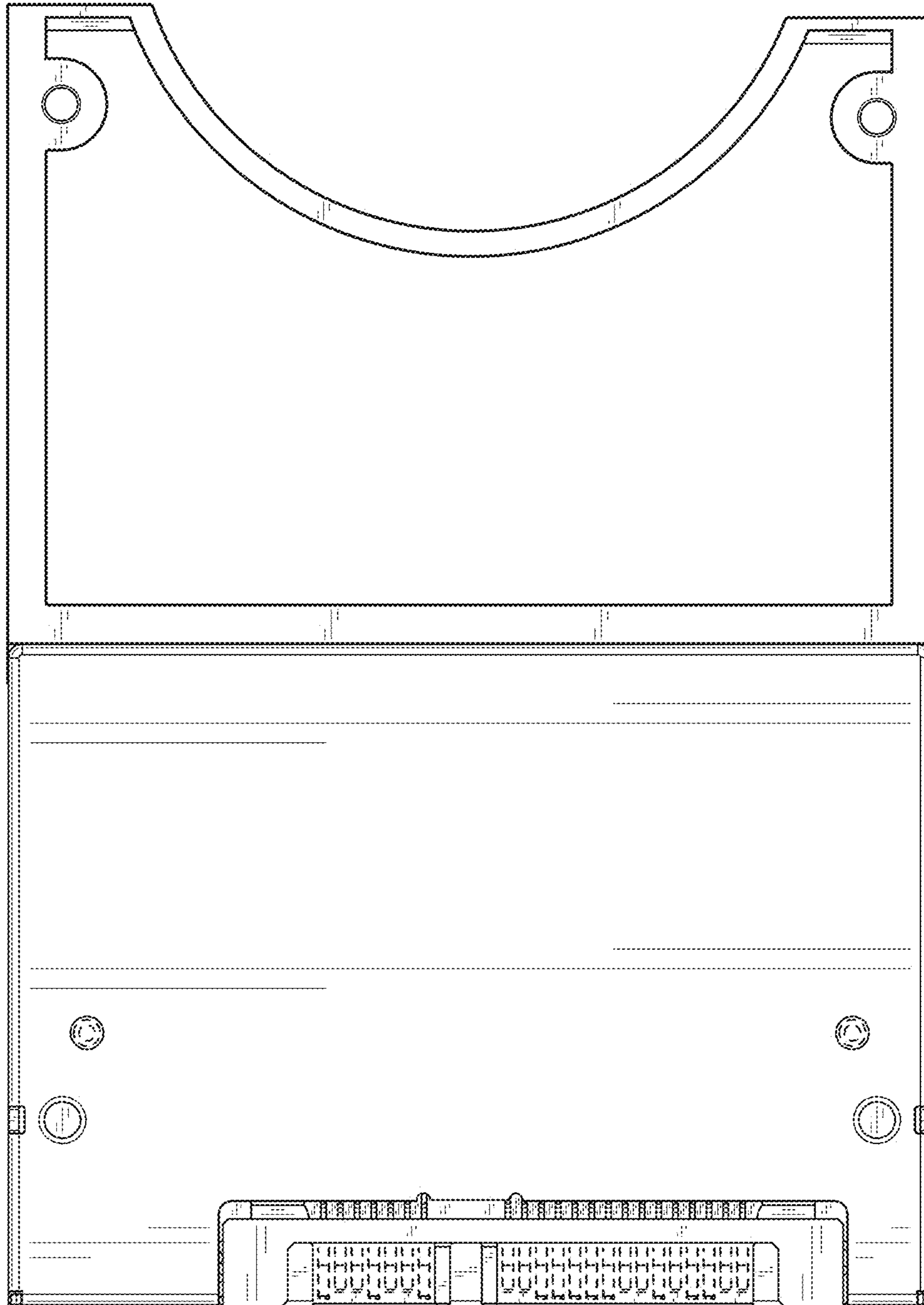


FIG. 8