



US00D964369S

(12) **United States Design Patent**
Khong et al.

(10) **Patent No.:** **US D964,369 S**

(45) **Date of Patent:** **** Sep. 20, 2022**

(54) **SSD ADAPTER CONVERTER**
(71) Applicant: **KINGSTON TECHNOLOGY CORPORATION**, Fountain Valley, CA (US)

(72) Inventors: **Hieu Khong**, Westminster, CA (US);
Kevin Jun Sun, Irvine, CA (US)

(73) Assignee: **KINGSTON TECHNOLOGY CORPORATION**, Fountain Valley, CA (US)

(**) Term: **15 Years**

(21) Appl. No.: **29/757,923**

(22) Filed: **Nov. 10, 2020**

(51) **LOC (13) Cl.** **14-02**

(52) **U.S. Cl.**
USPC **D14/439**

(58) **Field of Classification Search**
USPC ... D14/439, 432, 434, 433, 435, 435.1, 356, D14/357, 440, 447, 251-253, 451, 452, D14/454, 217, 348, 353-355, 385, 260.1, D14/363, 365; D13/184, 133, 147
CPC G06K 13/00; G06K 13/06; G06K 13/063; G06K 13/08; G06K 13/382; G06K 7/0013; H01R 12/00; H01R 13/6594; G06F 13/00; G06F 13/387; G06F 13/409; G06F 2212/303; G06F 2213/3802; G06F 2213/3852; G06F 1/184; G06F 1/187; G11B 17/0281; G11B 17/03; G11B 23/0328

See application file for complete search history.

(56) **References Cited**

U.S. PATENT DOCUMENTS

D269,087 S * 5/1983 Nishi D14/435
D280,413 S * 9/1985 Grimes D14/435
D308,197 S * 5/1990 Inoue D14/433

4,941,841 A * 7/1990 Darden G06F 1/187
439/304
D311,737 S * 10/1990 Westwood D14/435
D317,913 S * 7/1991 Inoue D14/433
D368,258 S * 3/1996 Ojeda D14/368
D371,353 S * 7/1996 Ashida D14/438
5,765,933 A * 6/1998 Paul H01R 13/6335
439/157
D396,700 S * 8/1998 Butts D14/385
D404,383 S * 1/1999 Chang D14/367

(Continued)

Primary Examiner — Marie D. Fast Horse

(74) *Attorney, Agent, or Firm* — Law Offices of S.J. Christine Yang

(57) **CLAIM**

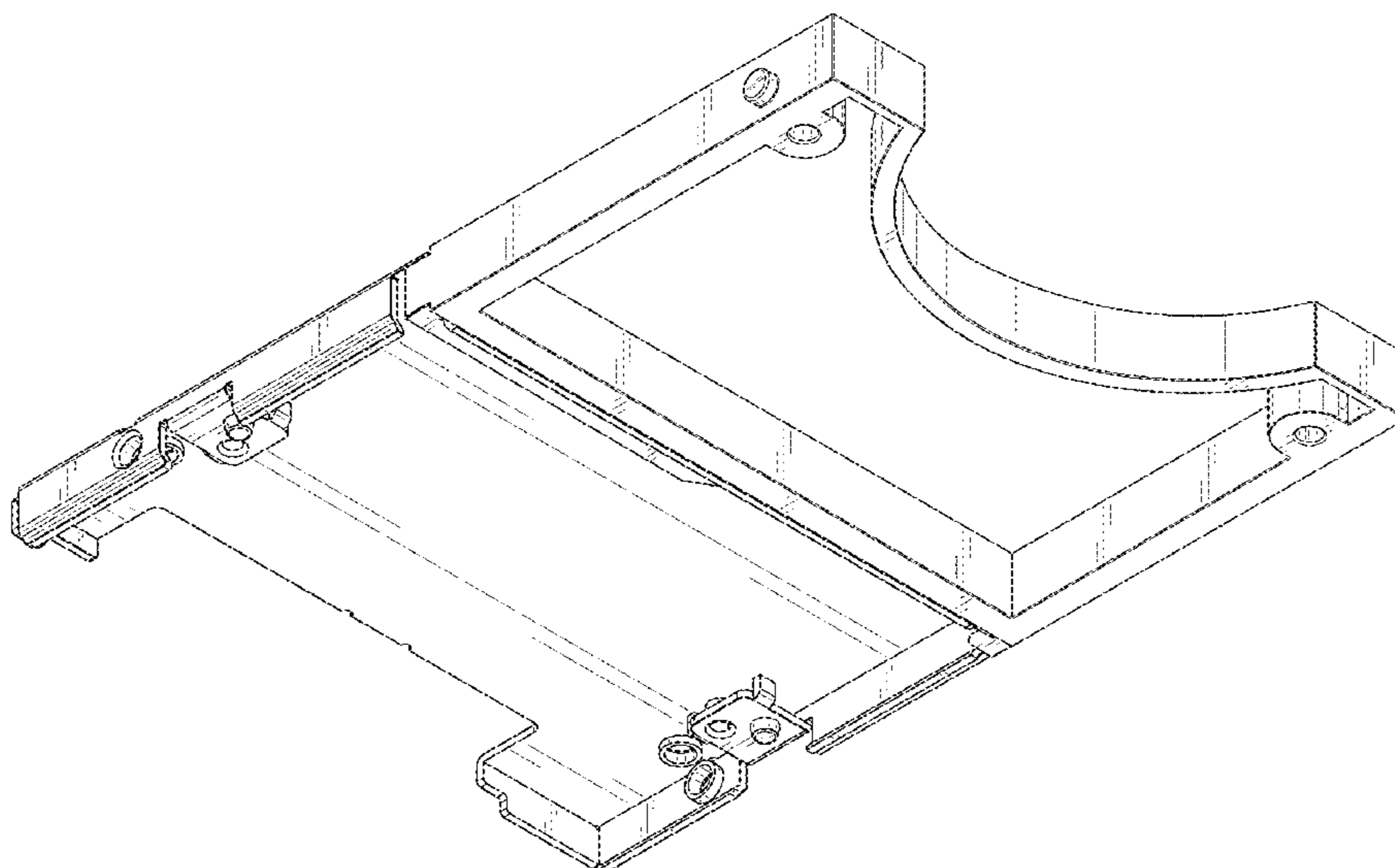
The ornamental design for an SSD adapter converter, as shown and described.

DESCRIPTION

FIG. 1 is a perspective view of an adapter converter for an SSD adapter converter showing our new design.
FIG. 2 is another perspective view of the adapter converter of FIG. 1.
FIG. 3 is a first side view of the adapter converter of FIG. 1.
FIG. 4 is a second side view of the adapter converter of FIG. 1 showing the receptable end of the adapter converter.
FIG. 5 is a third side view of the adapter converter of FIG. 1.
FIG. 6 is a fourth side view of the adapter converter of FIG. 1.
FIG. 7 is a fifth side view of the adapter converter of FIG. 1; and,
FIG. 8 is a sixth side view of the adapter converter of FIG. 1.

In the drawings, the shade lines indicate the character and contour of the surfaces represented, not to be confused with surface ornamentation.

1 Claim, 6 Drawing Sheets



(56)

References Cited

U.S. PATENT DOCUMENTS

D407,591 S *	4/1999	Bologna	D3/201	D566,655 S *	4/2008	Chen	D13/147
D412,326 S *	7/1999	Gianfagna	D14/435	D576,163 S *	9/2008	Sasaki	D14/363
D417,212 S *	11/1999	Oba	D14/435	D586,815 S *	2/2009	Friedman	D14/435
D423,479 S *	4/2000	Alo	D14/260.1	D603,409 S *	11/2009	Ishida	D14/435
D424,048 S *	5/2000	Iftikar	D14/435	D613,293 S *	4/2010	Sheba	D3/247
D435,256 S *	12/2000	Hibino	D14/435	D627,786 S *	11/2010	Hsia	D3/247
D442,181 S *	5/2001	Alo	D14/432	D632,297 S *	2/2011	Berntsen	D14/435
D447,484 S *	9/2001	Reznikov	G11B 33/122	D632,695 S *	2/2011	Berntsen	D14/435
			D14/441	D642,578 S *	8/2011	Aoki	D14/435
D451,501 S *	12/2001	Sward	D14/242	D658,185 S *	4/2012	Aoki	D14/436
D451,508 S *	12/2001	Liston	D14/385	8,244,942 B2 *	8/2012	Dean	G06F 1/187
D453,515 S *	2/2002	Brewer	D14/435				710/72
D455,422 S *	4/2002	Bath	D14/367	D667,402 S *	9/2012	Maus	D14/385
D458,610 S *	6/2002	Kadonaga	D14/435	D667,829 S *	9/2012	Berntsen	D14/435
D458,924 S *	6/2002	Tsuyuki	D14/367	D681,635 S *	5/2013	Wang	D14/366
D460,453 S *	7/2002	Homma	D14/435	D688,662 S *	8/2013	Gomez	D14/348
D468,732 S *	1/2003	Zdinak	D14/439	D692,883 S *	11/2013	Chen	D14/367
6,524,137 B1 *	2/2003	Liu	G06K 19/07741	D714,789 S *	10/2014	Chen	D14/435
			439/945	D729,249 S *	5/2015	Sun	D14/435
6,556,432 B2 *	4/2003	Chen	G06F 1/187	D732,537 S *	6/2015	Kostrzewski	D14/435
6,629,860 B1 *	10/2003	Hu	H01R 13/6594	D733,713 S *	7/2015	Shim	D14/435
			439/607.31	D736,770 S *	8/2015	Chou	D14/367
D483,374 S *	12/2003	Hung	D14/439	D742,887 S *	11/2015	Ignomirello	D14/439
D484,508 S *	12/2003	Crippen	D14/439	D743,403 S *	11/2015	Ehara	D14/432
D485,840 S *	1/2004	Yokoyama	D14/385	D743,404 S *	11/2015	Ignomirello	D14/439
D487,090 S *	2/2004	Wilson	D14/439	D747,716 S *	1/2016	Spencer	D14/348
D489,725 S *	5/2004	Hu	D14/433	D756,989 S *	5/2016	Sekine	D14/260.1
D490,083 S *	5/2004	Wu	D14/439	D773,469 S *	12/2016	Ellis, II	D14/439
D503,172 S *	3/2005	Izumi	D14/385	D794,032 S *	8/2017	You	D14/435
D505,133 S *	5/2005	Ashida	D14/435	D804,484 S *	12/2017	Kim	D14/435
D509,219 S *	9/2005	Avery	D14/435	D854,545 S *	7/2019	Woo	D14/435
D513,751 S *	1/2006	Alo	D14/442	D866,562 S *	11/2019	Konovalov	D14/439
D523,860 S *	6/2006	Xu	D14/436	D881,193 S *	4/2020	Konovalov	D14/439
D524,816 S *	7/2006	Kimura	D14/433	D881,194 S *	4/2020	Konovalov	D14/439
D529,029 S *	9/2006	Sekine	D14/433	2003/0064627 A1 *	4/2003	Ooya	H01R 13/6594
D529,915 S *	10/2006	Scicluna	D14/439				439/630
D544,841 S *	6/2007	Nishio	D13/147	2003/0119364 A1 *	6/2003	Liu	G06K 7/0013
D556,204 S *	11/2007	Tosh	D14/439				439/630
D559,188 S *	1/2008	Chiang	D13/147	2004/0114321 A1 *	6/2004	Roh	G06F 1/187
D563,406 S *	3/2008	Kato	D14/385	2015/0146364 A1 *	5/2015	Chou	H05K 7/142
D563,956 S *	3/2008	Kato	D14/348				174/562
D565,573 S *	4/2008	Alo	D14/435	2016/0259754 A1 *	9/2016	Ping	G06F 3/0632
				2018/0081844 A1 *	3/2018	Potter	G06F 13/4072
				2018/0189218 A1 *	7/2018	Ehlen	G06F 13/409

* cited by examiner

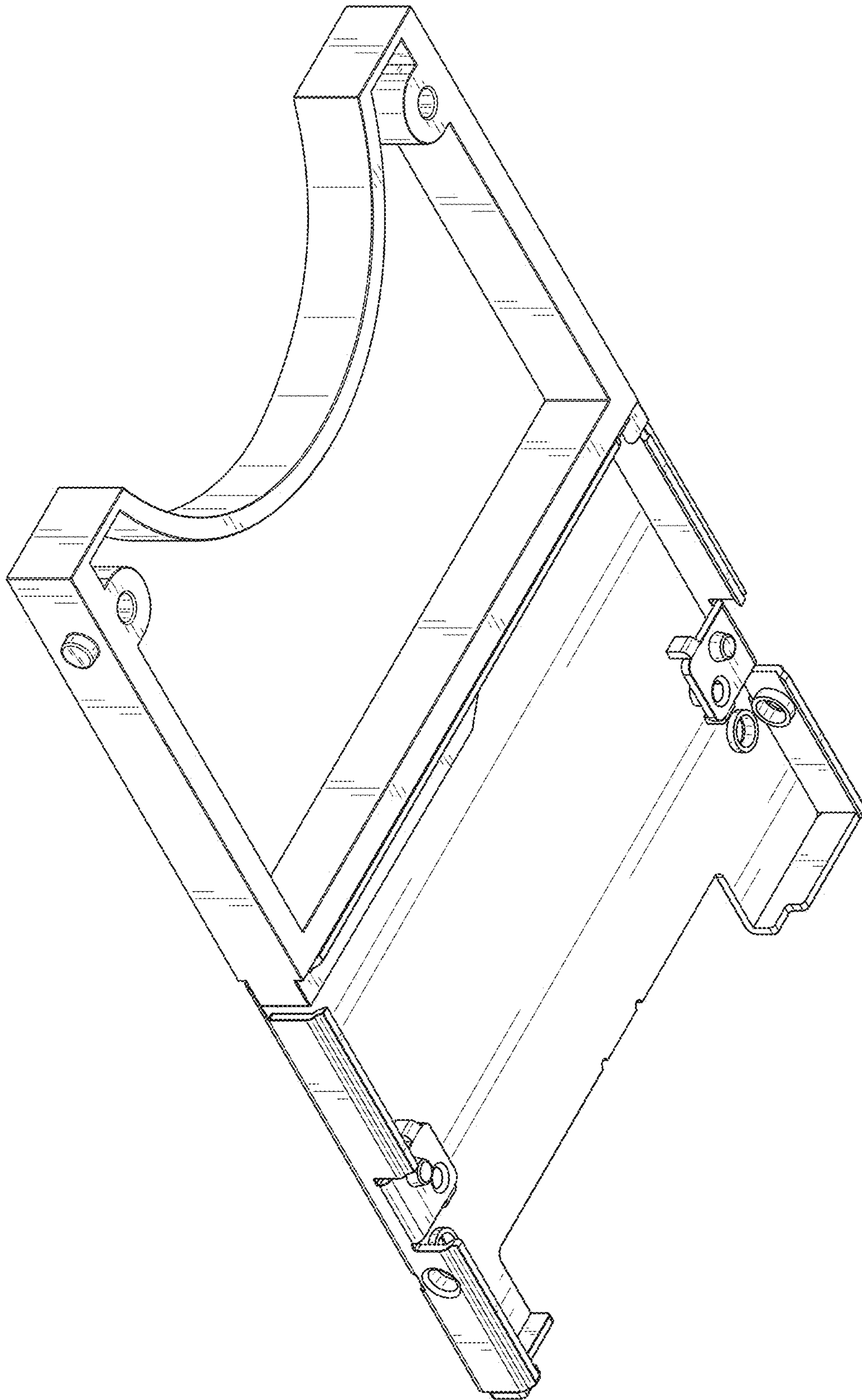


FIG. 1

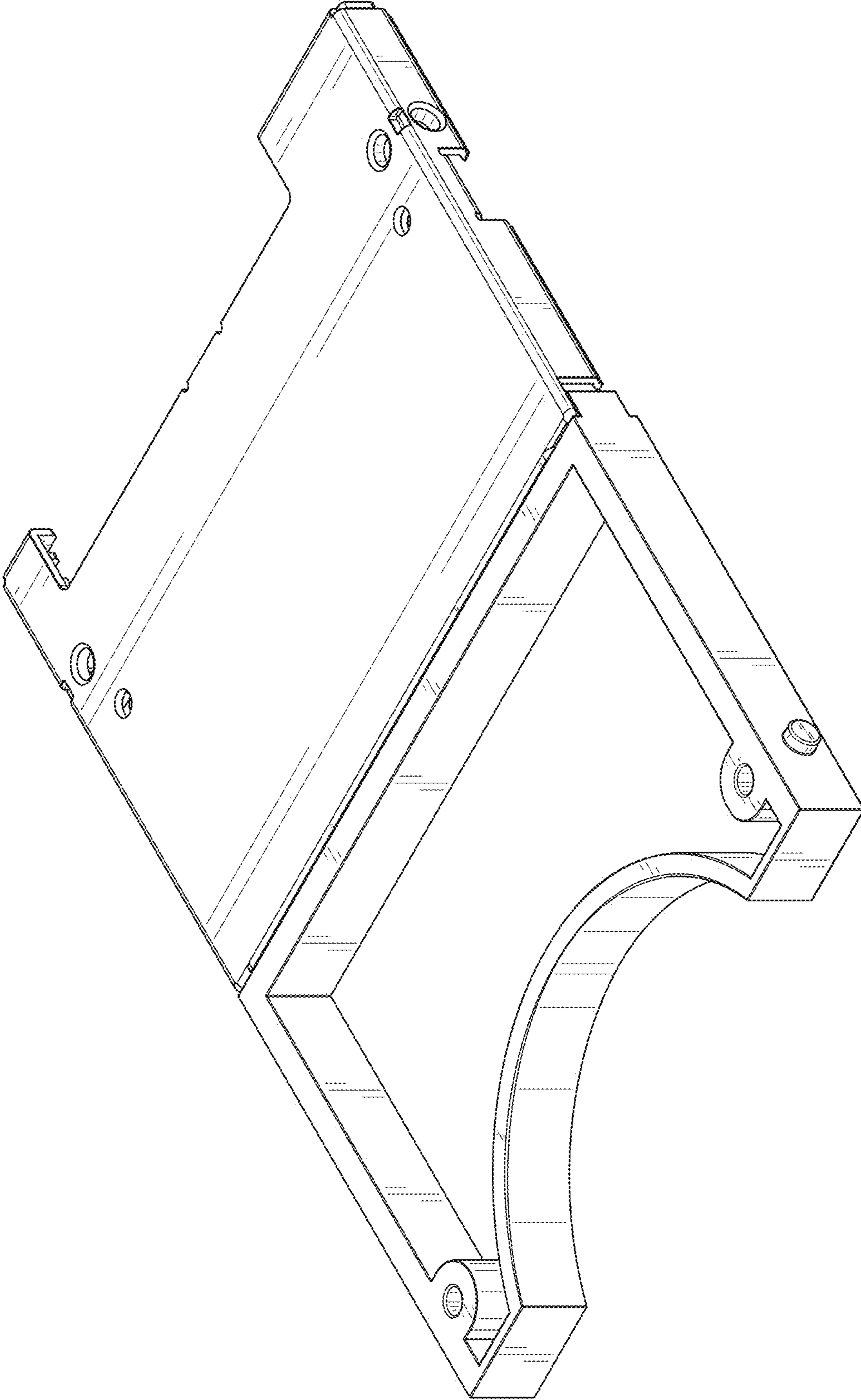


FIG. 2



FIG. 3

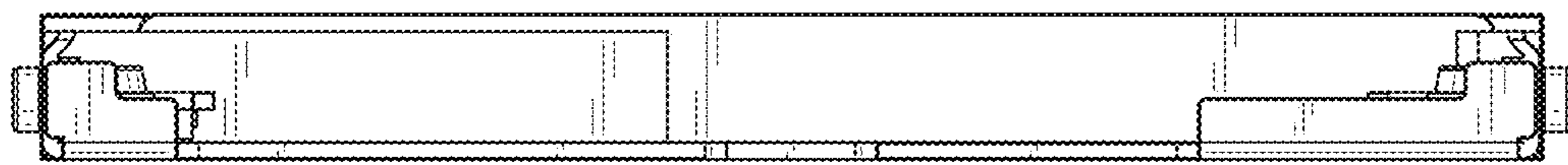


FIG. 4

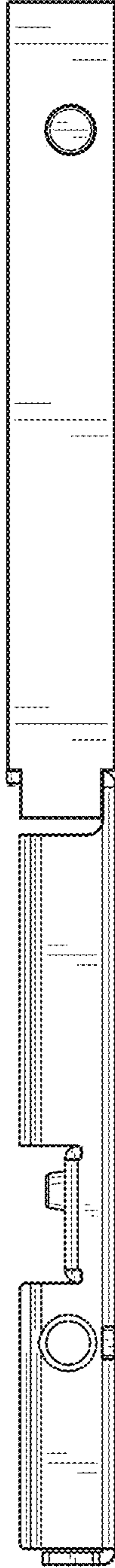


FIG. 5

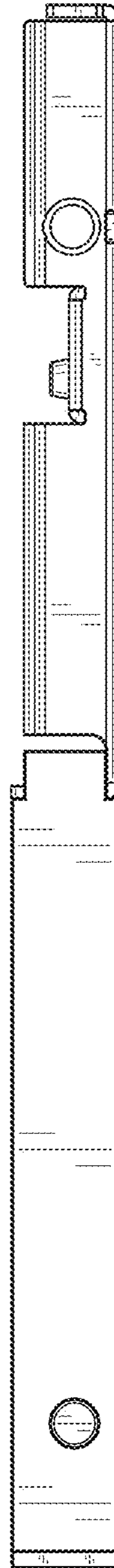


FIG. 6

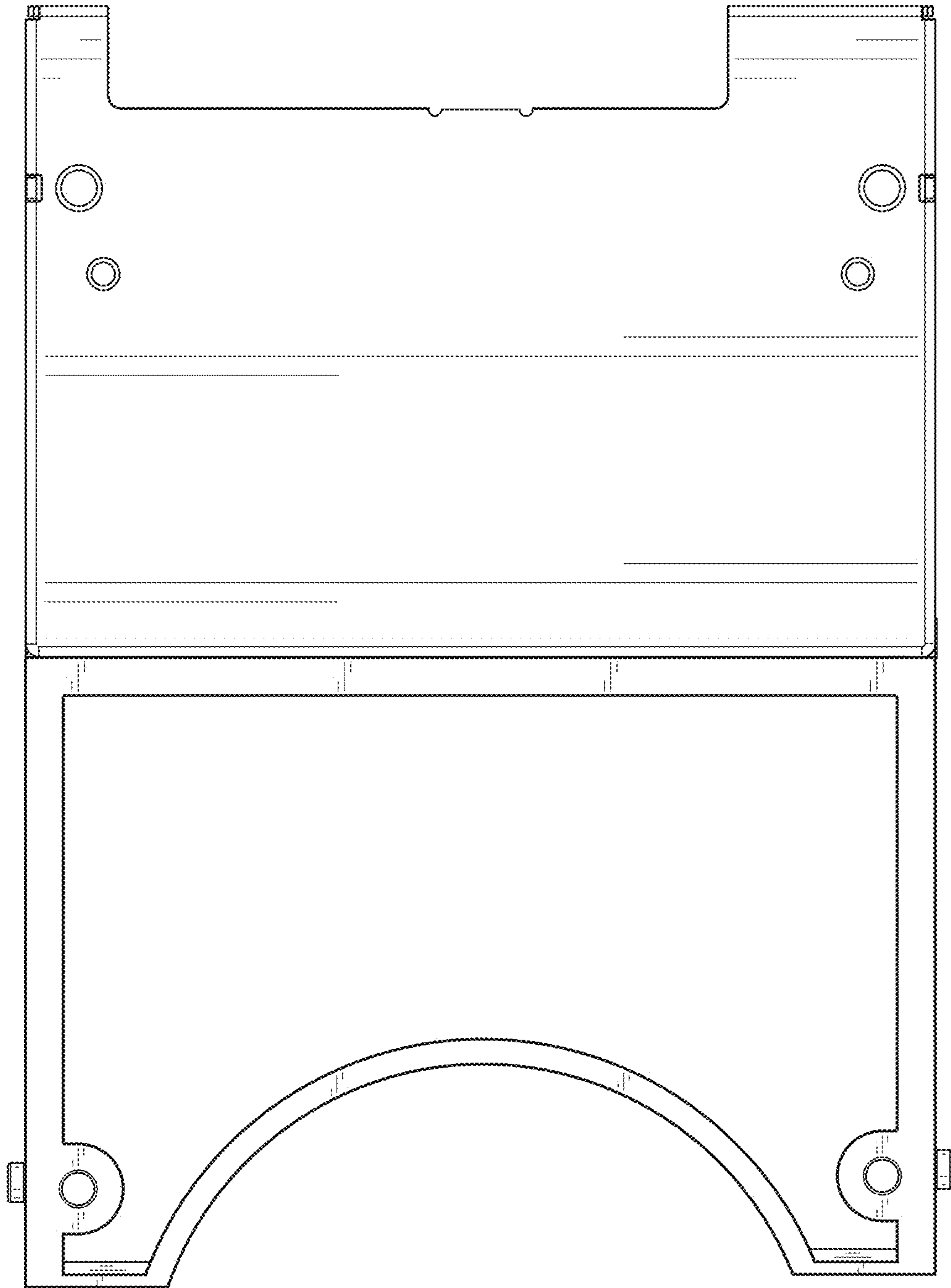


FIG. 7

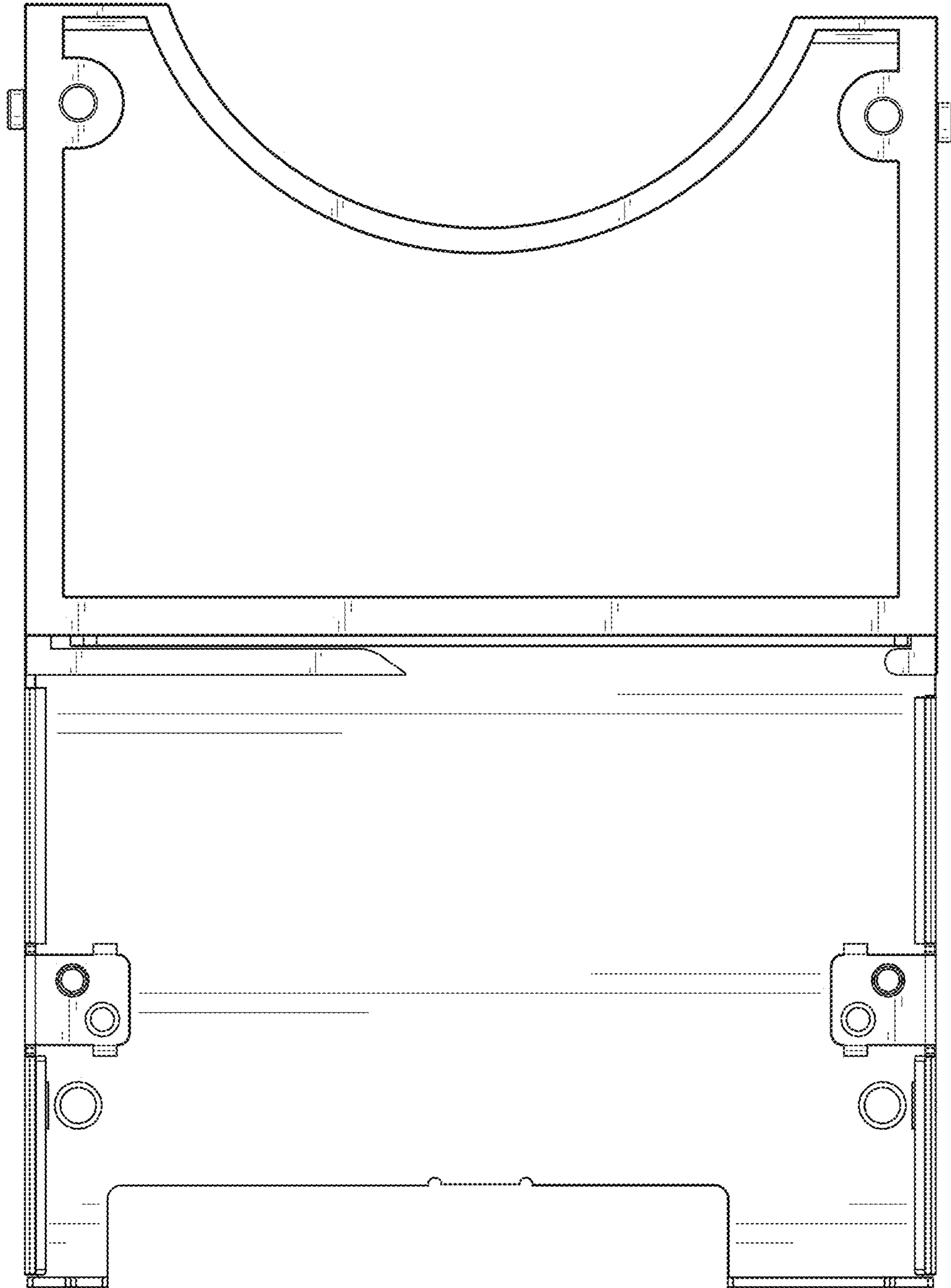


FIG. 8