

US00D964363S

(12) **United States Design Patent**
Ma

(10) **Patent No.:** **US D964,363 S**

(45) **Date of Patent:** **** Sep. 20, 2022**

(54) **MOUSE**

(71) Applicant: **Hefei Madao Information Technology Co., Ltd, Hefei (CN)**

(72) Inventor: **Bing Ma, Hefei (CN)**

(73) Assignee: **Hefei Madao Information Technology Co., Ltd, Hefei (CN)**

(**) Term: **15 Years**

(21) Appl. No.: **29/773,856**

(22) Filed: **Mar. 12, 2021**

(51) **LOC (13) Cl.** **14-02**

(52) **U.S. Cl.**
USPC **D14/402**

(58) **Field of Classification Search**
USPC D14/402-411, 356, 388, 389, 383-385,
D14/417, 426; 345/156-167; 463/36-38;
358/471, 473; 273/148 B
CPC G06F 3/03543; G06F 2203/0333; G06F
3/039; G06F 3/038; G06F 2203/0384
See application file for complete search history.

(56) **References Cited**

U.S. PATENT DOCUMENTS

D483,765 S * 12/2003 Ma D14/408
D513,258 S * 12/2005 Huang D14/408

D591,749 S * 5/2009 Huang D14/402
D667,408 S * 9/2012 Lim D14/408
D737,274 S * 8/2015 Kuo D14/408
D863,302 S * 10/2019 Cheung D14/408
D890,178 S * 7/2020 Xu D14/408
D908,701 S * 1/2021 Xu D14/408
D908,702 S * 1/2021 Xu D14/408
D911,339 S * 2/2021 Sitoh D14/408

* cited by examiner

Primary Examiner — Austin Murphy

(74) *Attorney, Agent, or Firm* — Jeenam Park

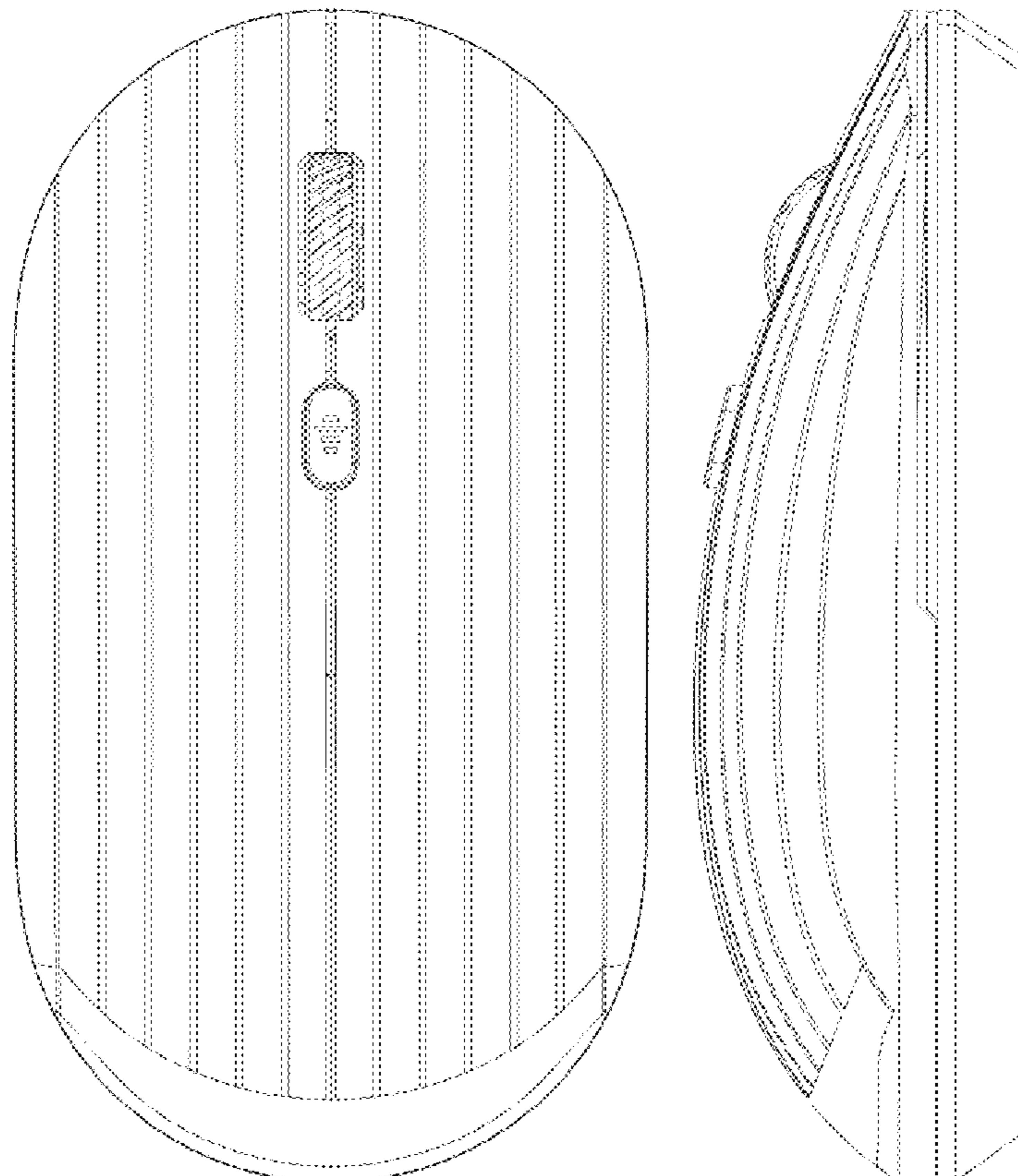
(57) **CLAIM**

The ornamental design for a mouse, as shown and described.

DESCRIPTION

FIG. 1 is a front view of a mouse showing my new design;
FIG. 2 is a rear view thereof;
FIG. 3 is a left side view thereof;
FIG. 4 is a right side view thereof;
FIG. 5 is a top plan view thereof;
FIG. 6 is a bottom plan view thereof; and,
FIG. 7 is a perspective view thereof.

1 Claim, 7 Drawing Sheets



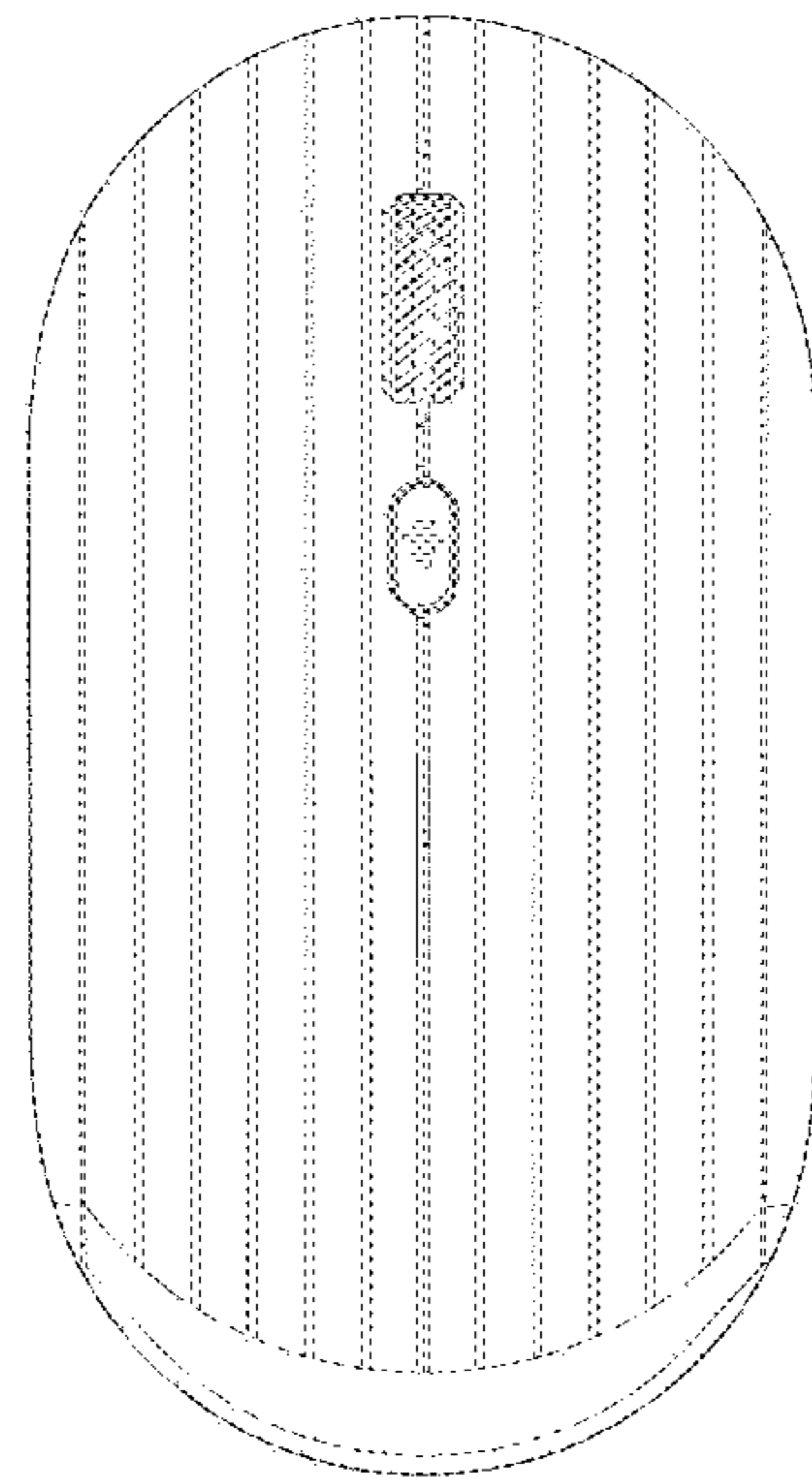


FIG. 1

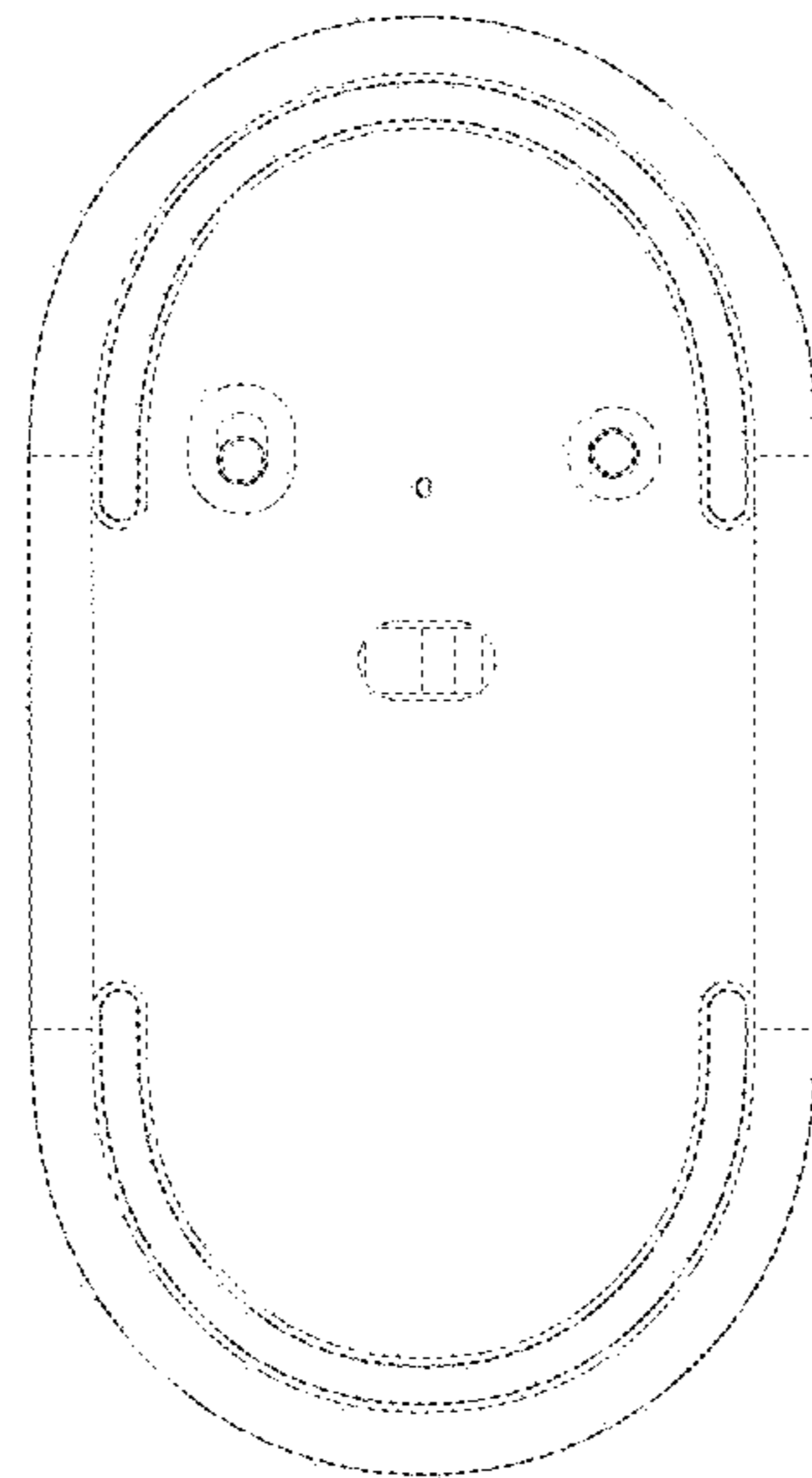


FIG. 2

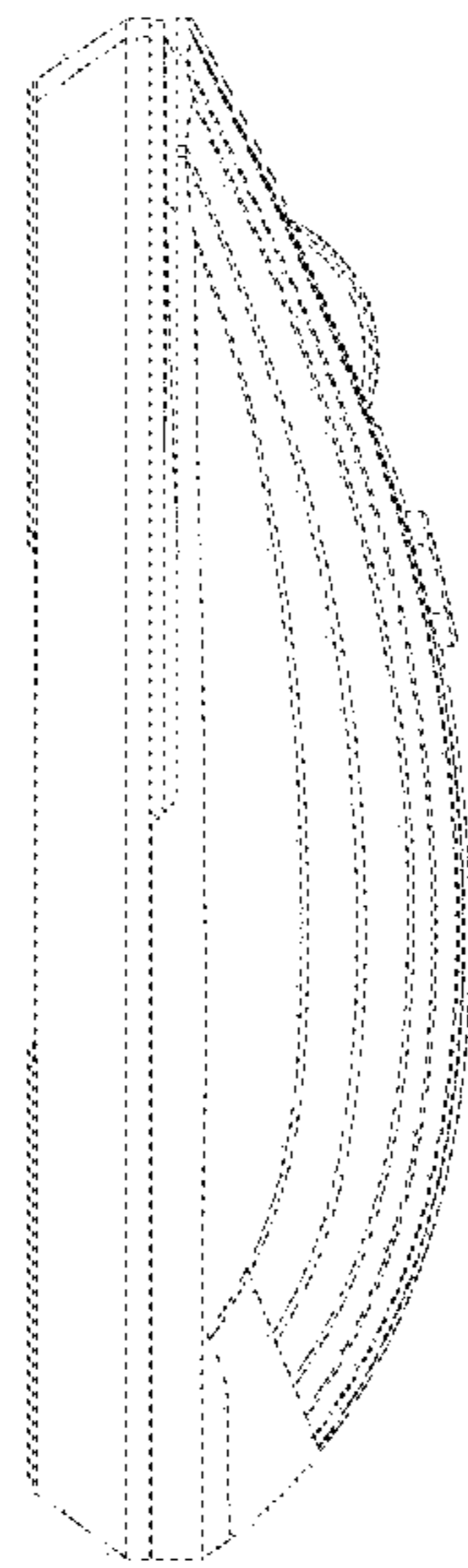


FIG.3

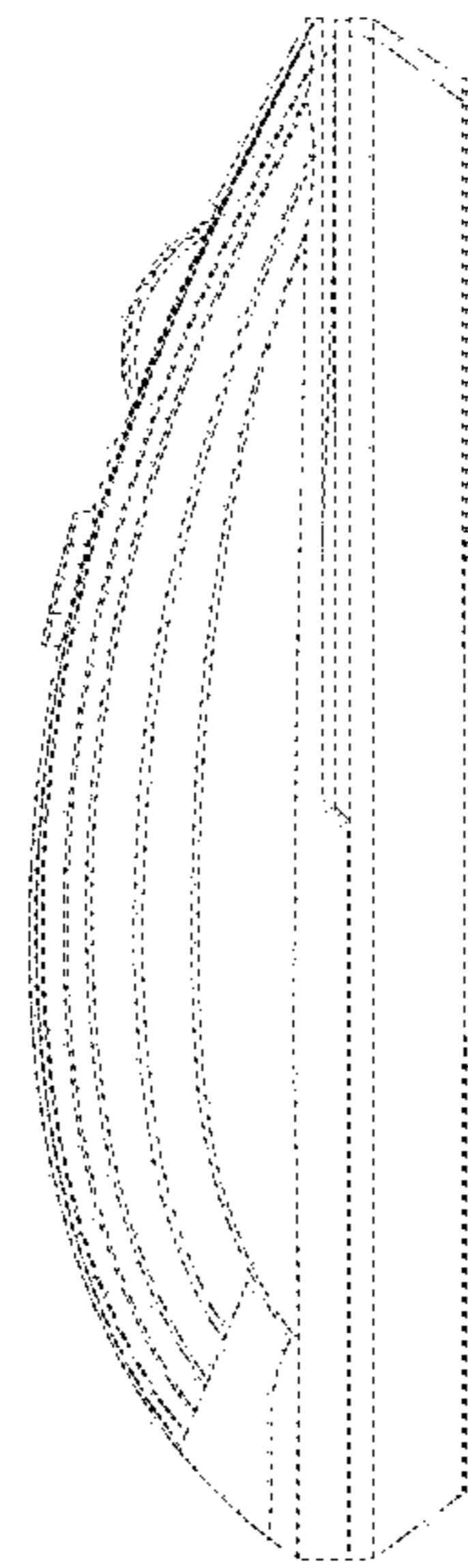


FIG.4

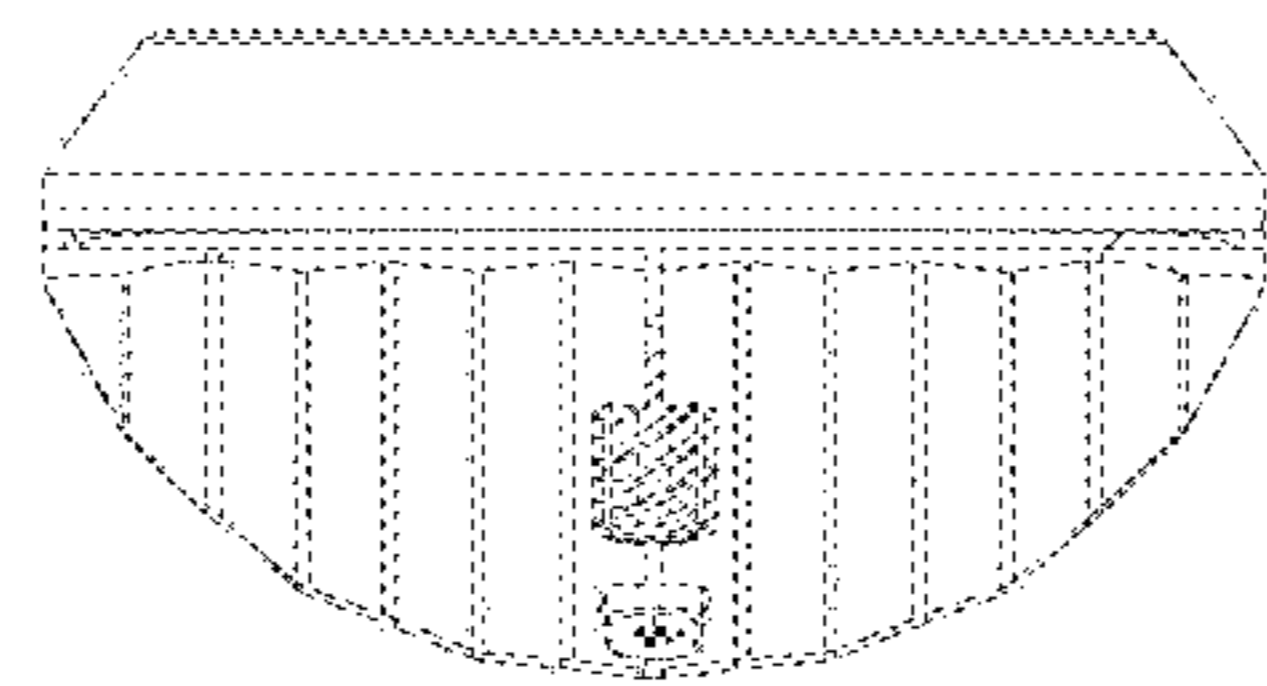


FIG. 5

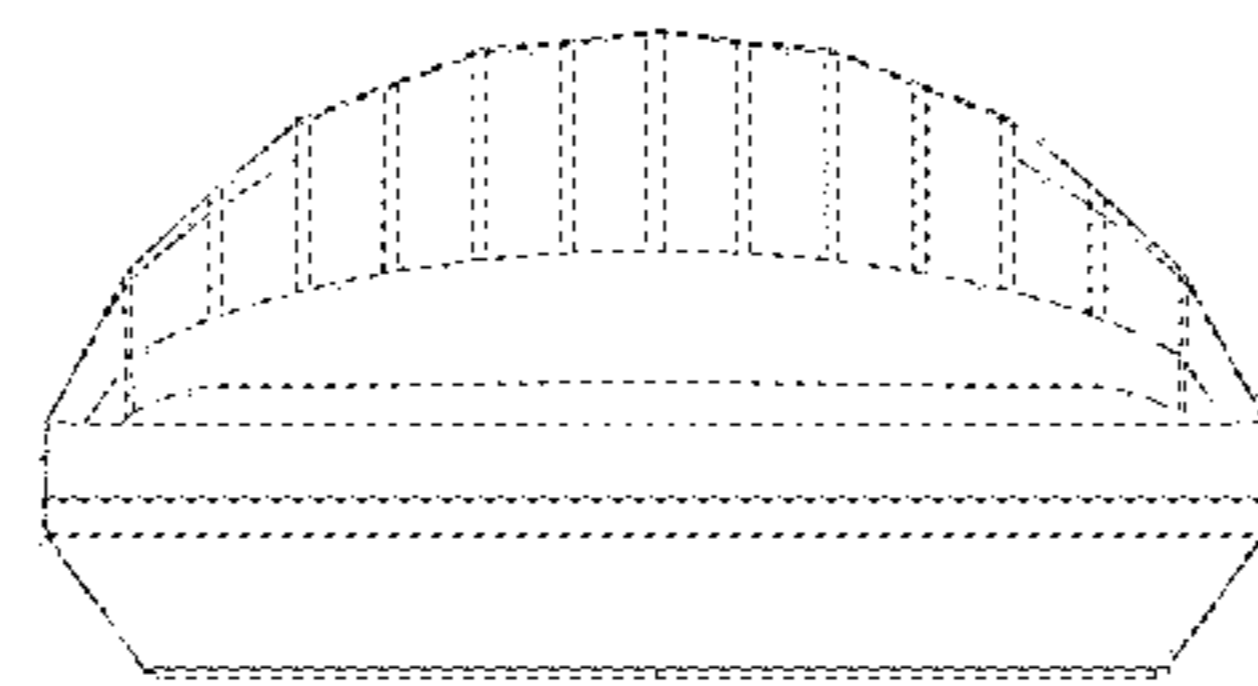


FIG.6

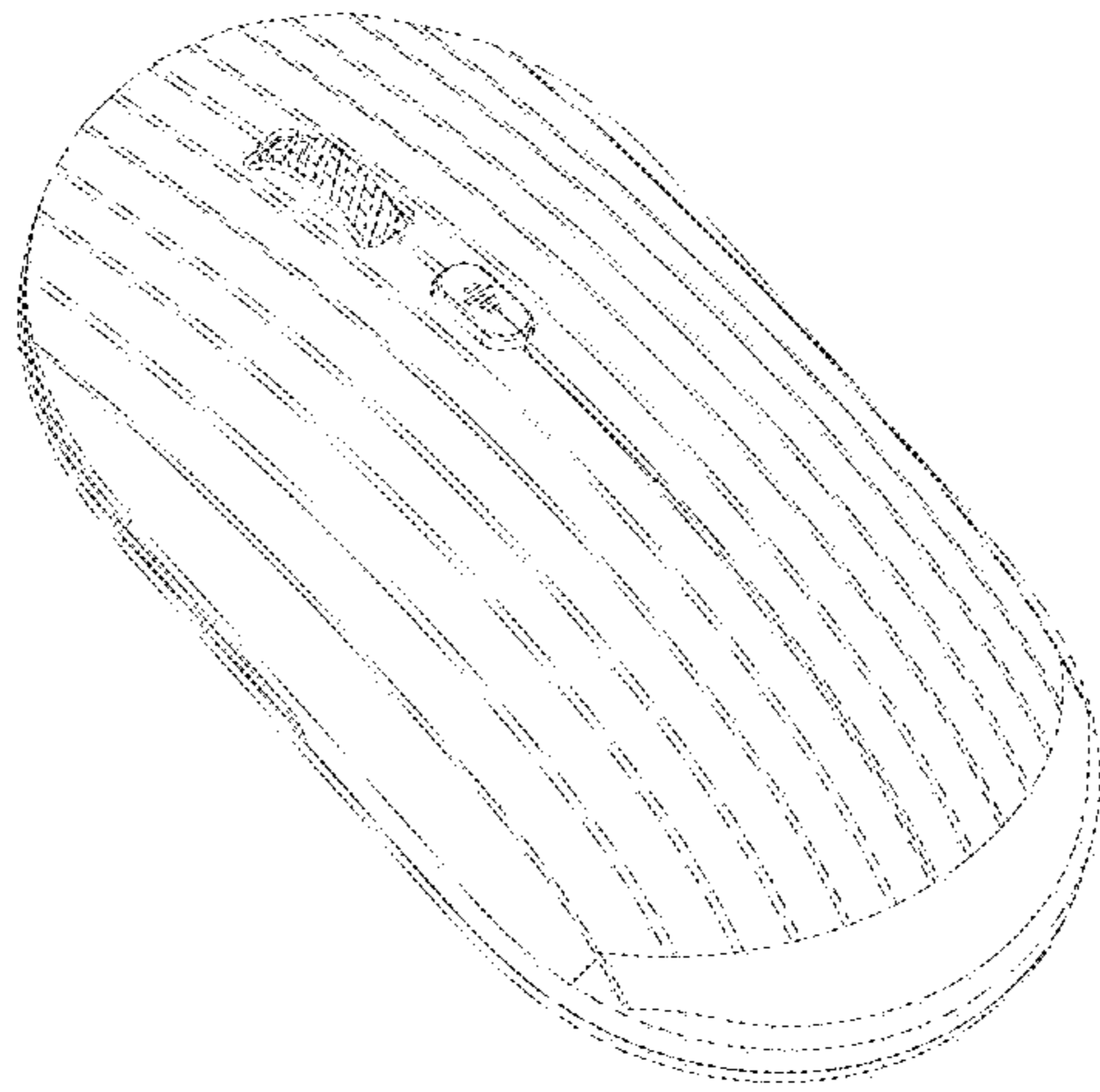


FIG.7