

US00D964361S

(12) **United States Design Patent**
Quan et al.

(10) **Patent No.:** **US D964,361 S**

(45) **Date of Patent:** **** Sep. 20, 2022**

- (54) **CONTACTLESS PALM SCANNER**
- (71) Applicant: **Chivalry Health Inc.**, Fremont, CA (US)
- (72) Inventors: **Wenxing Quan**, Fremont, CA (US);
Alvin Zijun Yu, Neward, CA (US)
- (73) Assignee: **Chivalry Health Inc.**, Fremont, CA (US)
- (**) Term: **15 Years**
- (21) Appl. No.: **29/775,649**
- (22) Filed: **Mar. 24, 2021**
- (51) **LOC (13) Cl.** **14-02**
- (52) **U.S. Cl.**
USPC **D14/384**
- (58) **Field of Classification Search**
USPC D14/300–302, 313, 314, 341, 348–370,
D14/383, 385, 432, 436, 496, 125, 135,
D14/134, 155, 167, 168, 230, 231, 233,
D14/235, 237, 240–242, 299; D10/65,
D10/75, 78; D13/103, 149, 162, 184,
D13/199; D18/4.4–4.6, 12.1, 56;
361/679.31–679.45, 752; 711/100, 115;
382/115, 124; 356/71; 235/380, 461,
235/382, 472.01, 472.02; D3/201, 273
CPC G06K 9/00006; G06K 7/0013; G06K
9/00026; G06F 21/00; G06Q 30/00
See application file for complete search history.

D791,133 S *	7/2017	Brownlee	D14/384
D837,213 S *	1/2019	Kaiya	D14/407
D855,053 S *	7/2019	Hickman	D14/384
D890,753 S *	7/2020	Iasso	D14/384
D894,182 S *	8/2020	Min	D14/383
10,755,515 B1 *	8/2020	Nakhare	G07G 1/0081
D912,669 S *	3/2021	Min	D14/383
D913,284 S *	3/2021	Min	D14/383
D929,994 S *	9/2021	Zhang	D14/420
D952,638 S *	5/2022	Kirchner	D14/420
D952,640 S *	5/2022	Kirchner	D14/420

* cited by examiner

Primary Examiner — Austin Murphy
(74) *Attorney, Agent, or Firm* — Jen-Feng Lee, Esq.

(57) **CLAIM**

We claim the ornamental design for a contactless palm scanner, as shown and described.

DESCRIPTION

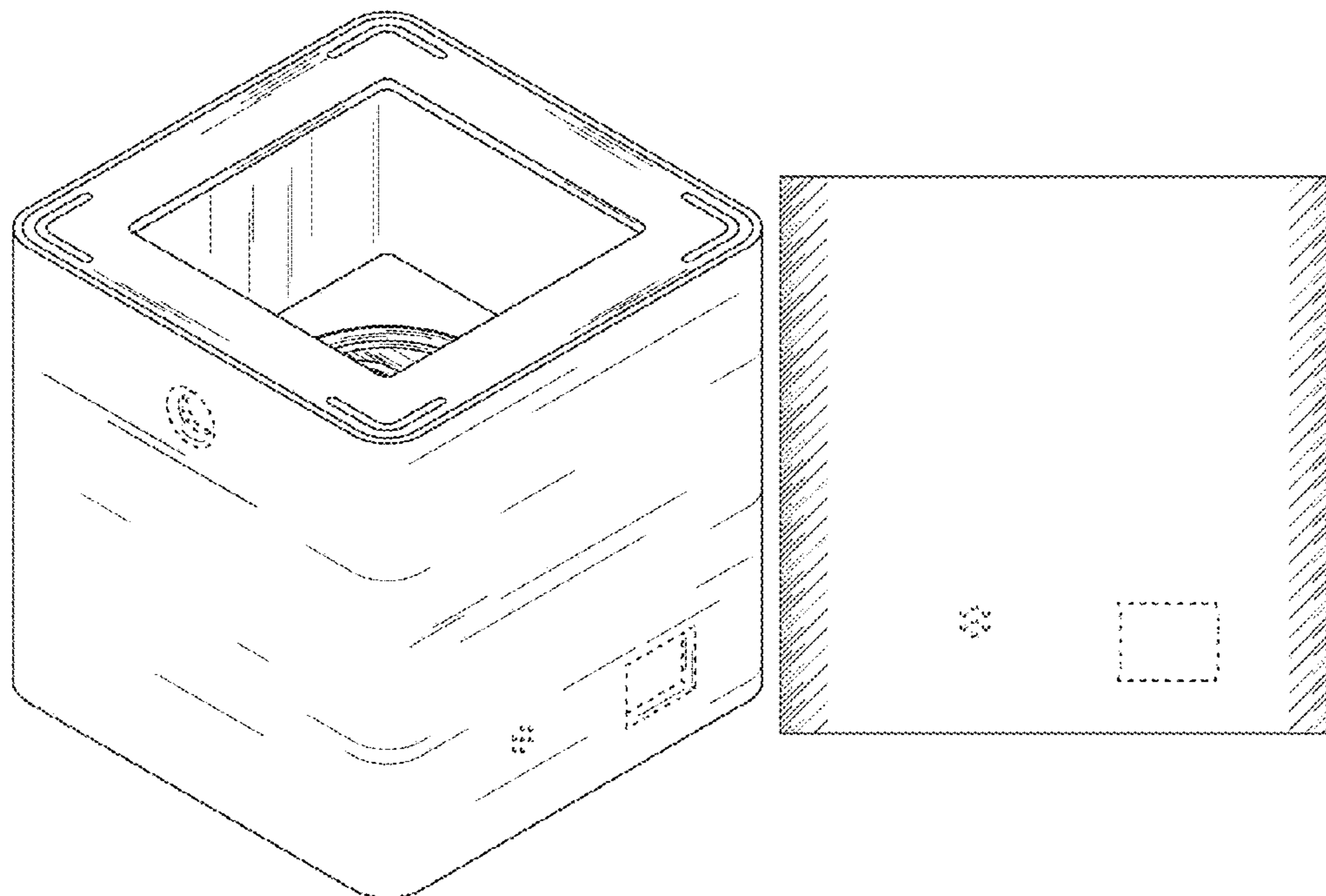
FIG. 1 shows a perspective view of the contactless palm scanner showing our new design, FIG. 2 shows a front view thereof, FIG. 3 shows a rear view thereof, FIG. 4 shows a left side view thereof, FIG. 5 shows a right side view thereof, FIG. 6 shows a top view thereof; and, FIG. 7 shows a bottom view thereof. The broken lines depict environmental subject matter, are for illustration only and form no part of the claimed design.

1 Claim, 7 Drawing Sheets

(56) **References Cited**

U.S. PATENT DOCUMENTS

D727,901 S *	4/2015	Nishimura	D14/383
D755,179 S *	5/2016	Wong	D14/384



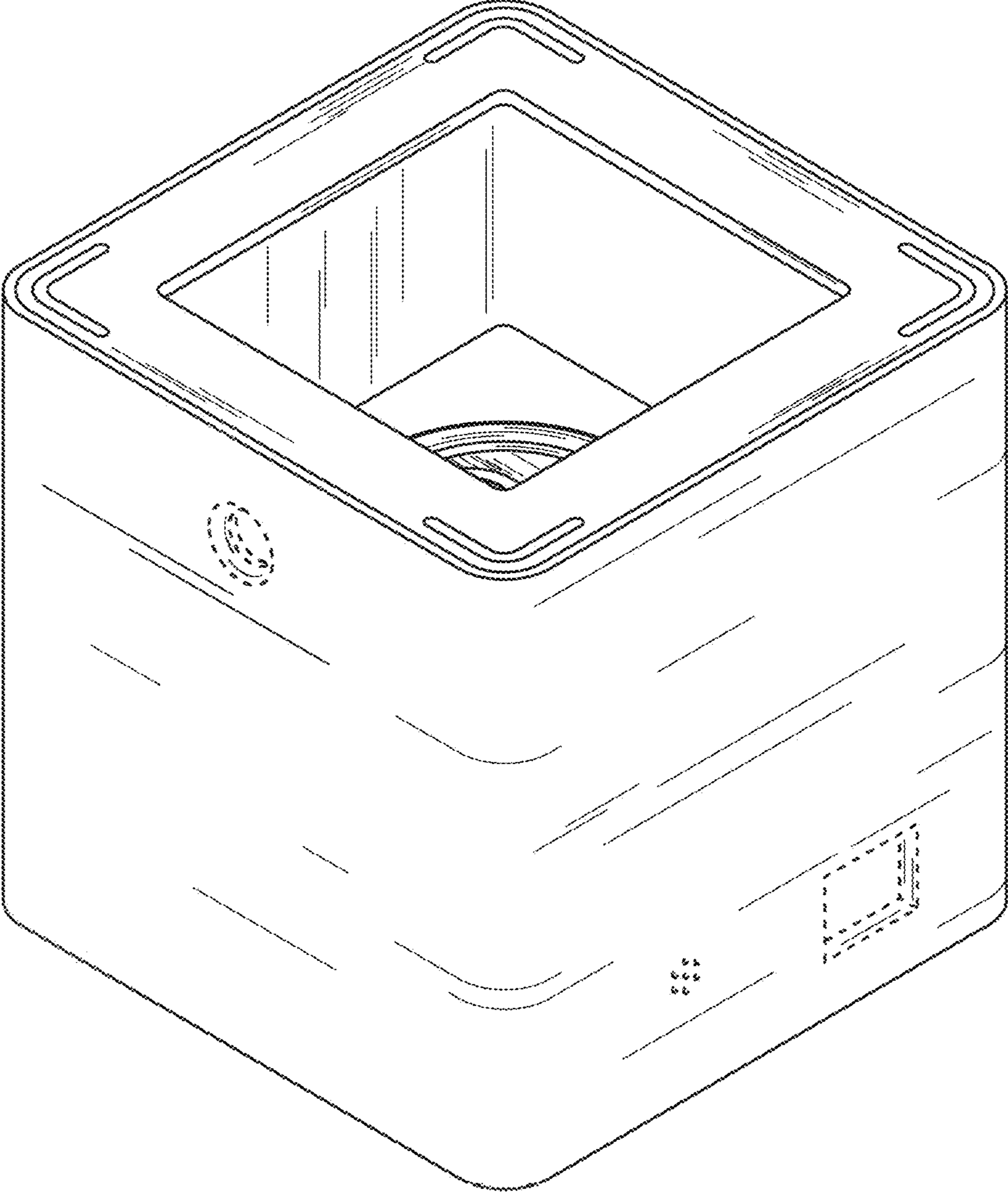


FIG. 1

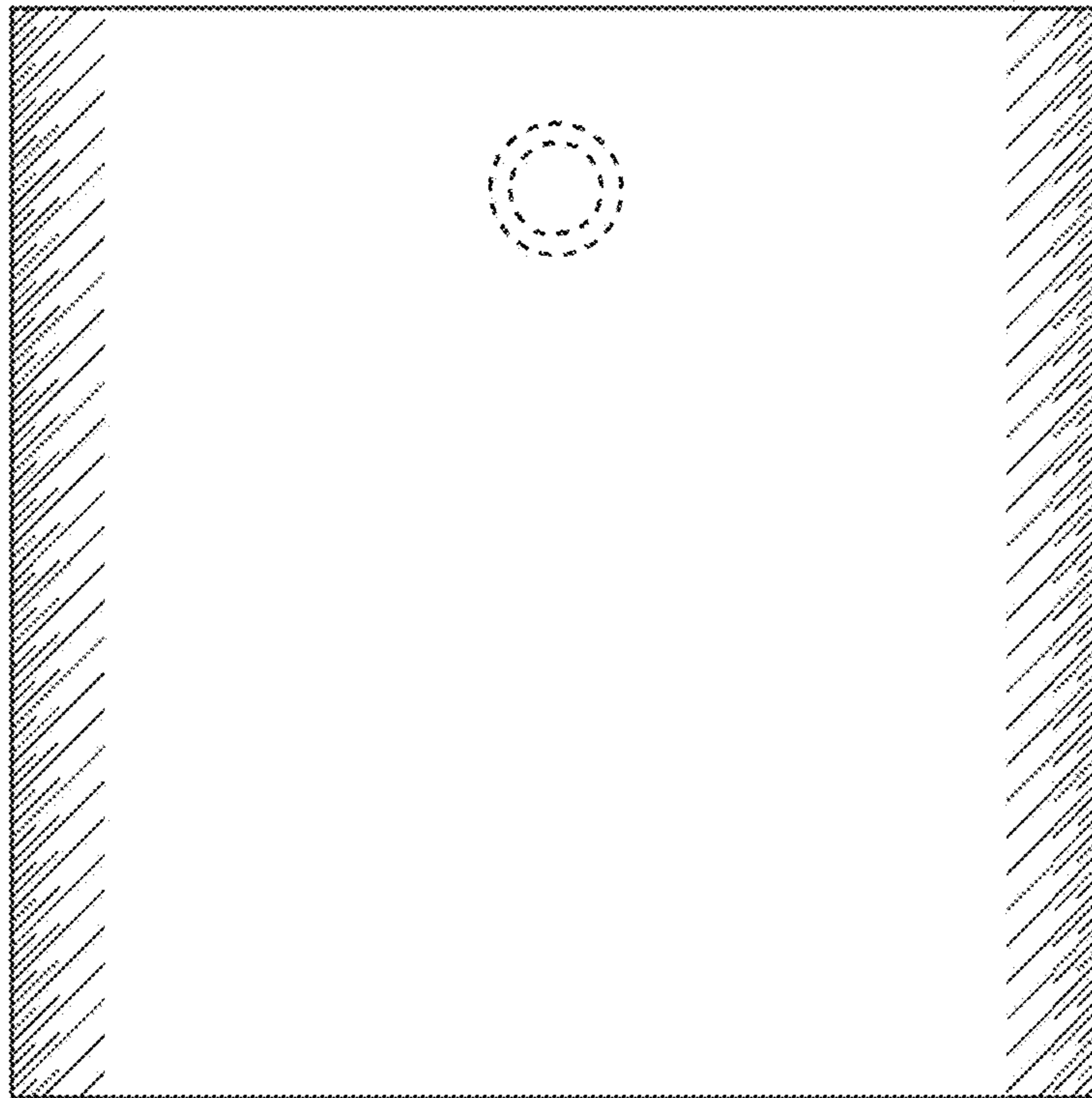


FIG. 2

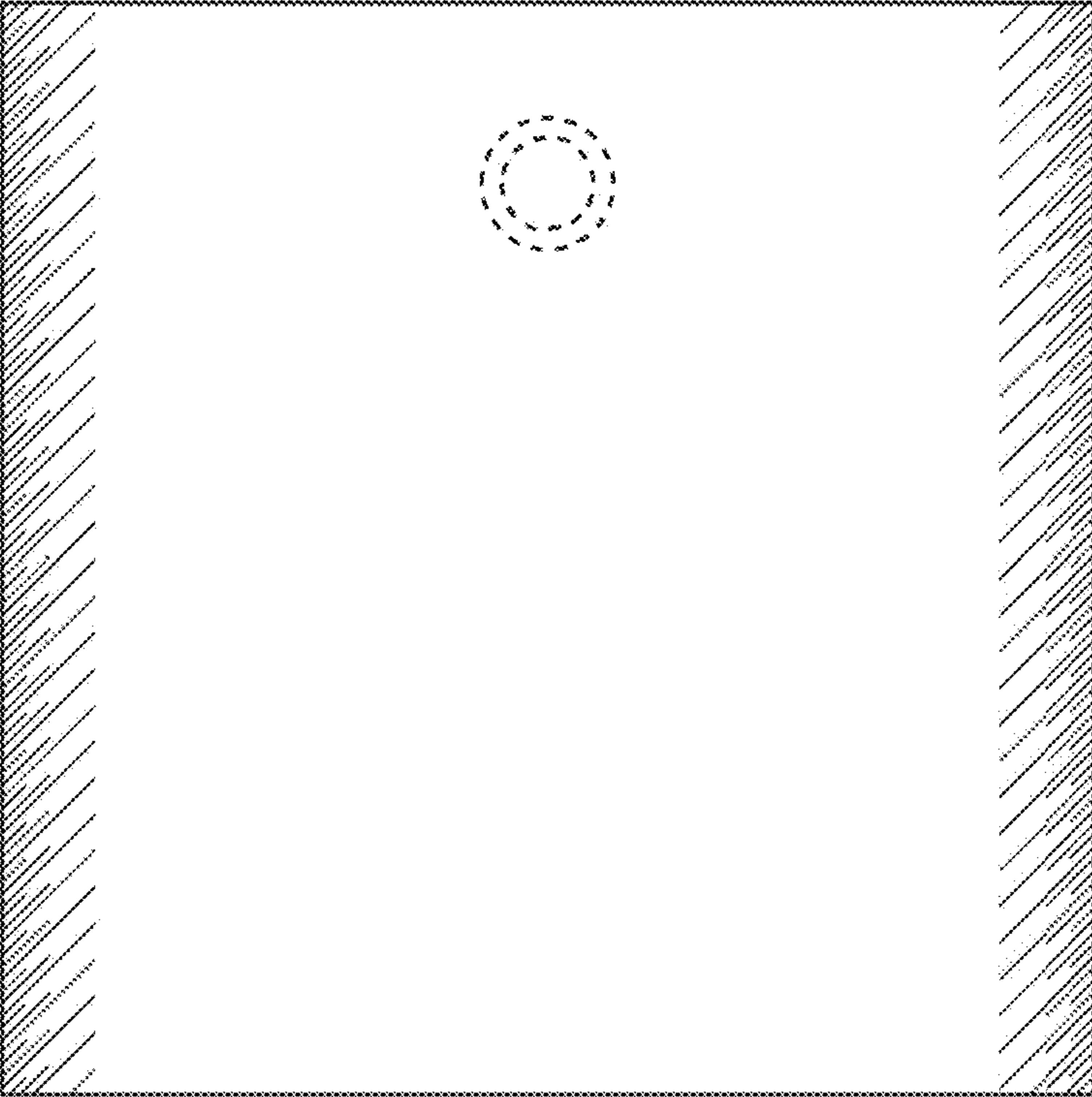


FIG. 3

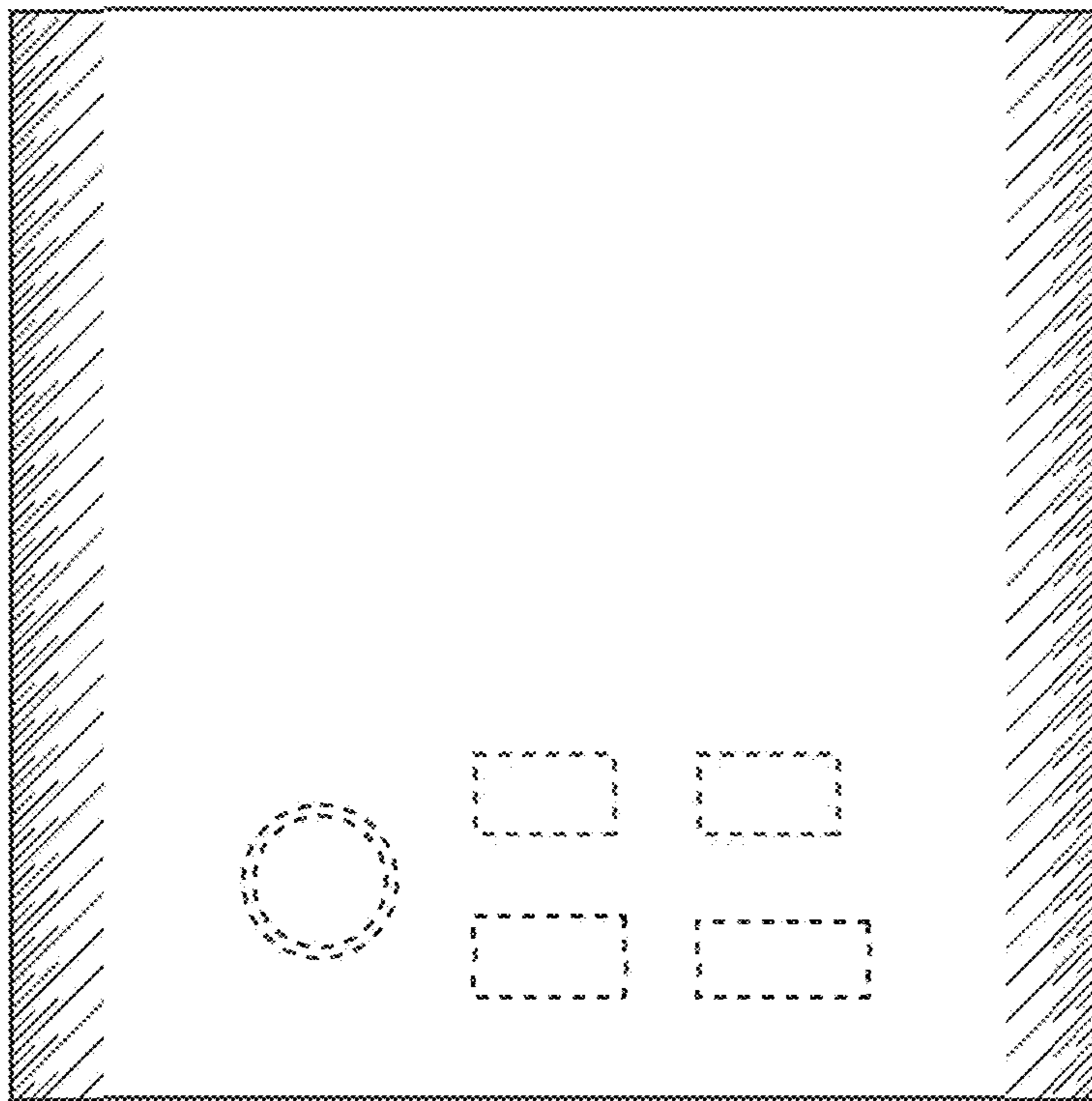


FIG. 4

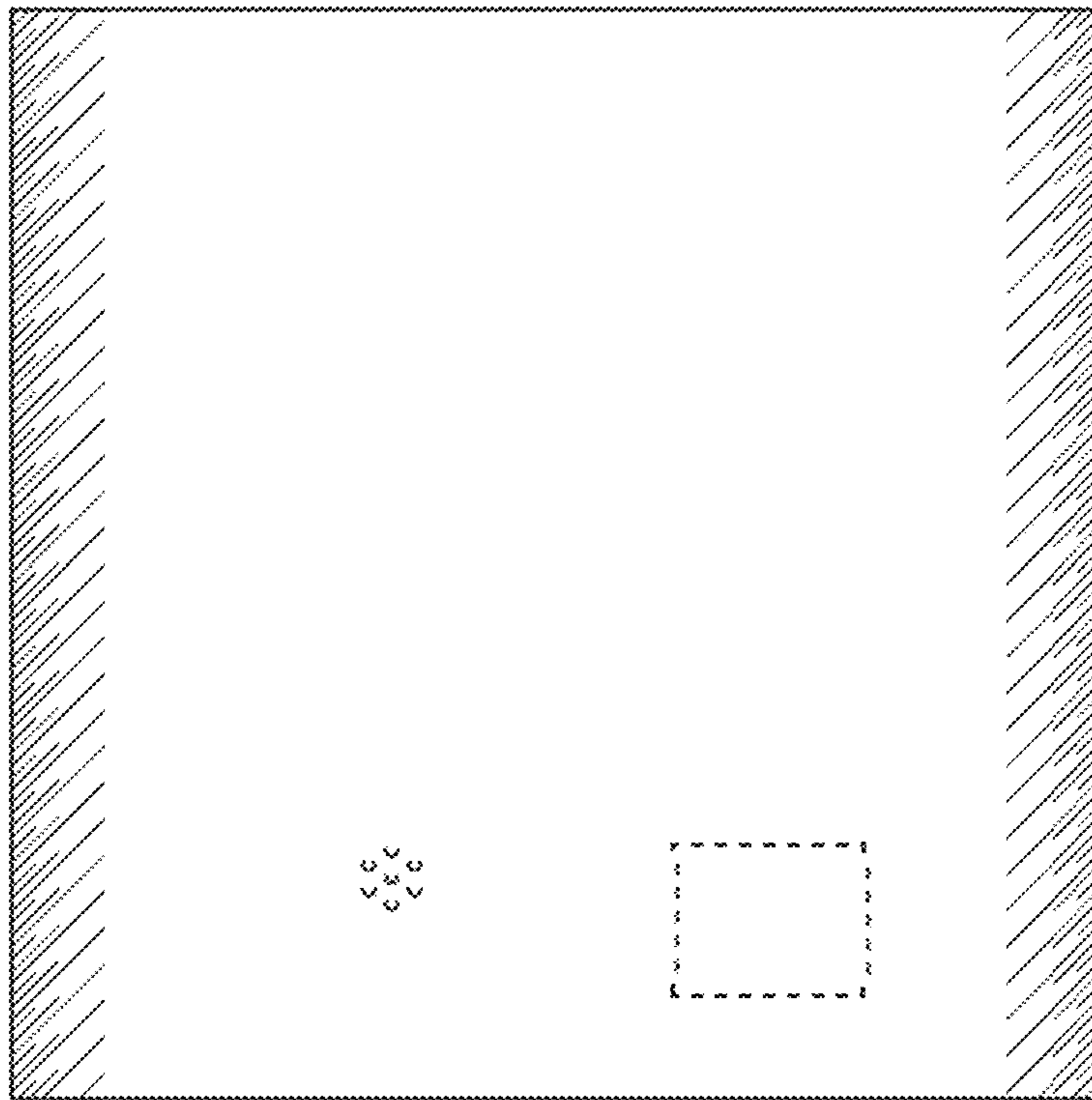


FIG. 5

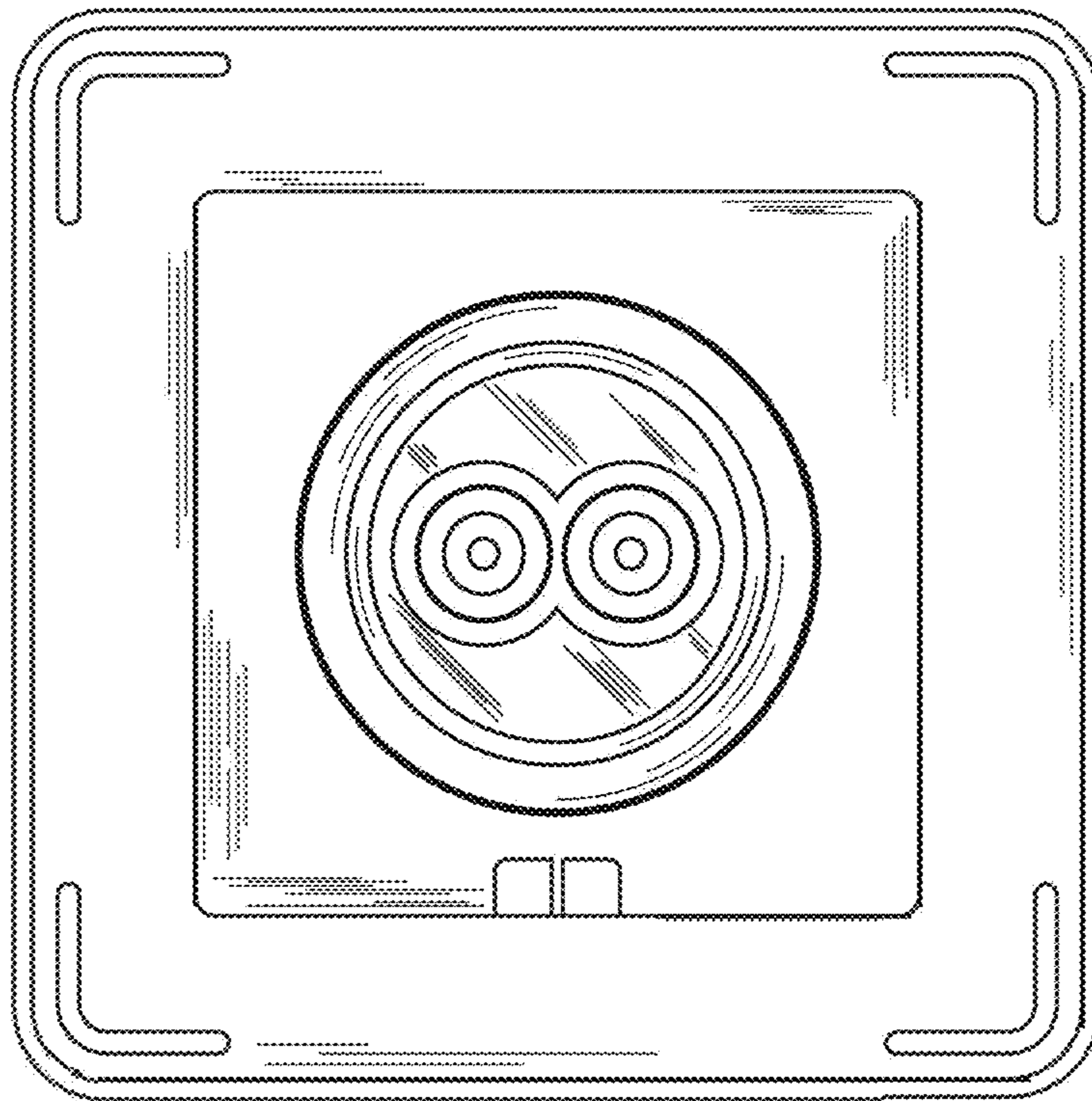


FIG. 6

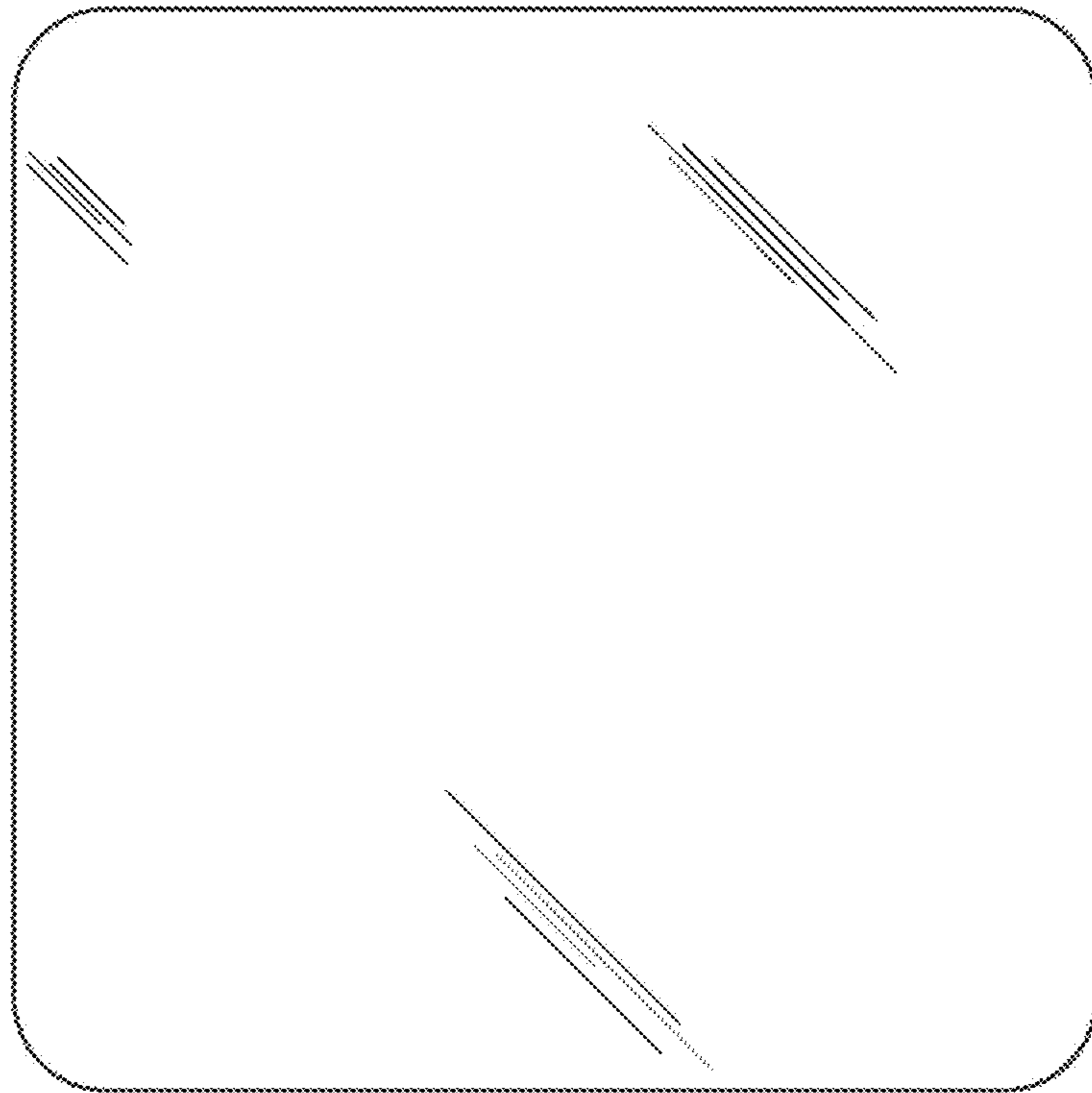


FIG. 7