



US00D964360S

(12) **United States Design Patent** (10) **Patent No.:** **US D964,360 S**  
**Yao et al.** (45) **Date of Patent:** **\*\* Sep. 20, 2022**

(54) **MONITOR**

(71) Applicant: **MOBILE PIXELS INC.**, Irwindale, CA (US)

(72) Inventors: **Xiaoliang Yao**, Burlington, MA (US); **Wenglong Ng**, Burlington, MA (US)

(73) Assignee: **MOBILE PIXELS INC.**, Irwindale, CA (US)

(\*\*) Term: **15 Years**

(21) Appl. No.: **29/768,552**

(22) Filed: **Jan. 29, 2021**

**Related U.S. Application Data**

(63) Continuation of application No. 29/647,976, filed on May 17, 2018, now Pat. No. Des. 920,975.

(51) **LOC (13) Cl.** ..... **14-02**

(52) **U.S. Cl.**  
USPC ..... **D14/375**

(58) **Field of Classification Search**  
USPC ..... D14/315, 318, 320-327, 333-335, D14/338-340, 371, 373-375, 377-378,  
(Continued)

(56) **References Cited**

**U.S. PATENT DOCUMENTS**

D247,194 S 2/1978 Win  
4,569,613 A 2/1986 Thomas  
(Continued)

**OTHER PUBLICATIONS**

“Mobile Pixels: The Mobile Laptop Monitor,” Mobile Pixels Video [online], Jan. 12, 2017; retrieved from the Internet: <URL: [https://www.facebook.com/pg/MobilePixelsUSA/posts/?ref=page\\_internal](https://www.facebook.com/pg/MobilePixelsUSA/posts/?ref=page_internal)>; entire video.

(Continued)

*Primary Examiner* — Katherine Glennon

(74) *Attorney, Agent, or Firm* — Lando & Anastasi, LLP

(57) **CLAIM**

The ornamental design for a monitor, as shown and described.

**DESCRIPTION**

FIG. 1 is a left side view of a monitor shown in a closed, slightly offset configuration according to a first embodiment; FIG. 2 is a back view thereof; FIG. 3 is a right side view thereof; FIG. 4 is a perspective back view thereof; FIG. 5 is a top view thereof; FIG. 6 is a front perspective view thereof; FIG. 7 is a bottom view thereof; FIG. 8 is a back view of the monitor shown in an open pivoted configuration according to the embodiment of FIG. 1;

FIG. 9 is a left side view thereof; FIG. 10 is a right side view thereof; FIG. 11 is a back perspective view thereof; FIG. 12 is a top view thereof; FIG. 13 is a front perspective view thereof; FIG. 14 is a bottom view thereof; FIG. 15 is a front view thereof; FIG. 16 is a left side view of a monitor shown in a closed, slightly offset configuration according to a second embodiment;

FIG. 17 is a back view thereof; FIG. 18 is a right side view thereof; FIG. 19 is a perspective back view thereof; FIG. 20 is a top view thereof; FIG. 21 is a front perspective view thereof; FIG. 22 is a bottom view thereof; FIG. 23 is a back view of the monitor shown in an open pivoted configuration according to the embodiment of FIG. 16;

FIG. 24 is a left side view thereof; FIG. 25 is a right side view thereof; FIG. 26 is a back perspective view thereof; FIG. 27 is a top view thereof; FIG. 28 is a front perspective view thereof;

(Continued)

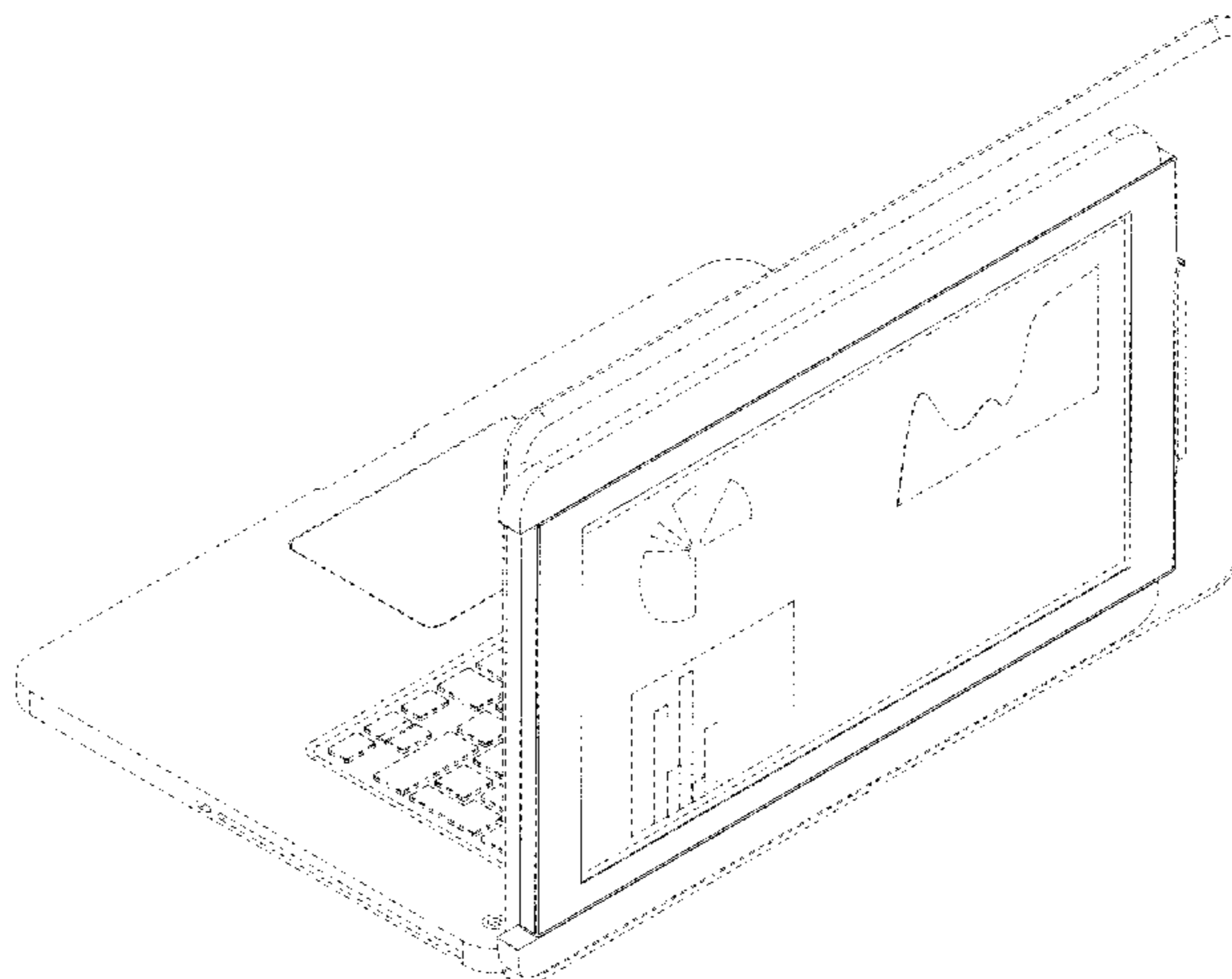


FIG. 29 is a bottom view thereof; and,  
 FIG. 30 is a front view thereof.  
 The broken lines show portions of the monitor that form no part of the claimed design.

**1 Claim, 30 Drawing Sheets**

(58) **Field of Classification Search**

USPC ..... D14/451-452; D18/1, 2, 7, 11, 12.2,  
 D18/12.3

CPC .... G06F 1/1616; G06F 1/1637; G06F 1/1662;  
 G06F 1/1647; G06F 1/1649; G06F  
 1/1654

See application file for complete search history.

(56) **References Cited**

U.S. PATENT DOCUMENTS

D290,404	S	6/1987	Stoler
4,867,479	A	9/1989	Mizutani
5,471,808	A	12/1995	De Pieri et al.
D374,650	S	10/1996	Shermeto
5,590,021	A	12/1996	Register
5,614,838	A	3/1997	Jaber et al.
D456,796	S	5/2002	Silver
6,532,146	B1	3/2003	Duquette
6,667,877	B2	12/2003	Duquette
6,967,632	B1	11/2005	Minami et al.
D534,588	S	1/2007	Nuttall
7,283,353	B1	10/2007	Jordan et al.
7,660,914	B2	2/2010	Perez et al.
D615,082	S	5/2010	Taichi
7,848,091	B2	12/2010	Han et al.
D630,628	S	1/2011	Kovac
D634,745	S	3/2011	Park et al.
7,986,517	B2	7/2011	Jiang et al.
7,990,338	B2	8/2011	Teng et al.
8,018,715	B2	9/2011	Chang

D652,832	S	1/2012	Wu et al.
D665,123	S	8/2012	Douglas
8,314,751	B2	11/2012	Yang
D674,220	S	1/2013	Kim
8,529,111	B2	9/2013	Chang
D715,301	S	10/2014	Ashcraft et al.
D727,895	S	4/2015	Aoki et al.
D761,800	S	7/2016	Muller
D779,713	S	2/2017	Sonneman
D791,400	S	7/2017	Sonneman
D808,950	S	1/2018	Miele et al.
10,550,995	B1	2/2020	Hung et al.
D883,990	S *	5/2020	Yao ..... D14/448
10,871,801	B2 *	12/2020	Yao ..... G06F 3/1423
D920,975	S *	6/2021	Yao ..... D14/375
2005/0162821	A1	7/2005	Homer et al.
2005/0243021	A1	11/2005	Perez et al.
2007/0080950	A1	4/2007	Lee et al.
2008/0252555	A1	10/2008	Jeon
2011/0216483	A1	9/2011	Vesely
2012/0127646	A1	5/2012	Moscovitch
2013/0277271	A1	10/2013	Toulotte
2016/0154434	A1	6/2016	Lakhani
2018/0039300	A1 *	2/2018	Gonzalez, III ..... G06F 3/0488
2019/0332146	A1	10/2019	Yao et al.
2020/0278722	A1 *	9/2020	Hudgins ..... H05K 5/0226
2020/0333843	A1 *	10/2020	Yao ..... G06F 1/1607
2021/0333839	A1 *	10/2021	Yao ..... G06F 1/1681
2021/0405702	A1 *	12/2021	Hudgins ..... G06F 1/1616

OTHER PUBLICATIONS

Robyn, "Ten 1 Design Mountie+ Review", Mac Sources; Article [online]; Feb. 7, 2018, Retrieved from the internet<URL; <https://macsources.com/ten-1-design-mountie-review/>>; p. 1, paragraph 1; figure 5.  
 "Slidenjoy: Prototype Preview;" Sliden Joy; Video [online], Dec. 5, 2016, Retrieved from the internet: <URL: <https://www.youtube.com/watch?v=hkbo5OeX94w&list=UUEwspWGCBCpYywFMCg-GUuVA&index=4>>; entire video.

\* cited by examiner

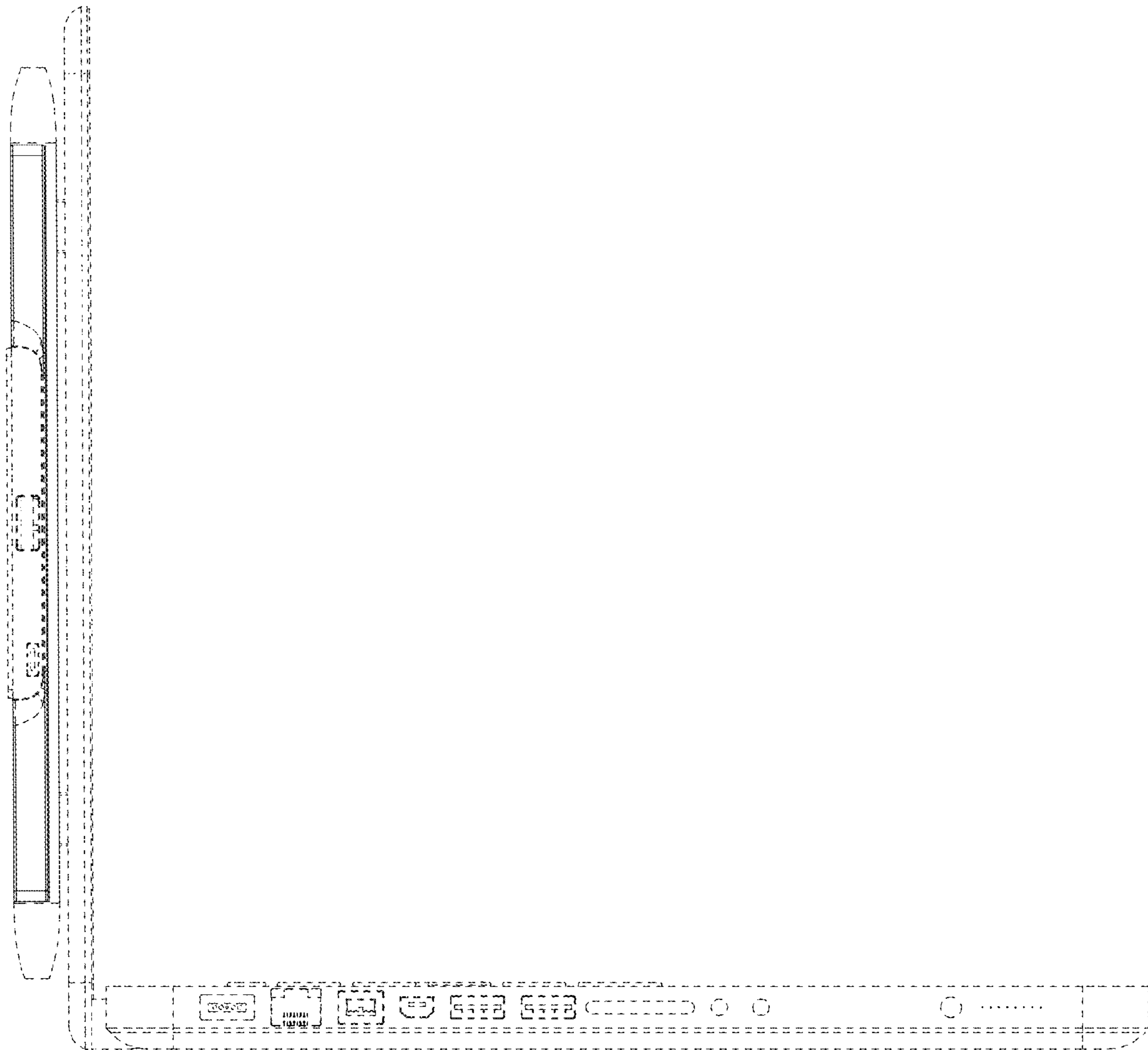


FIG. 1

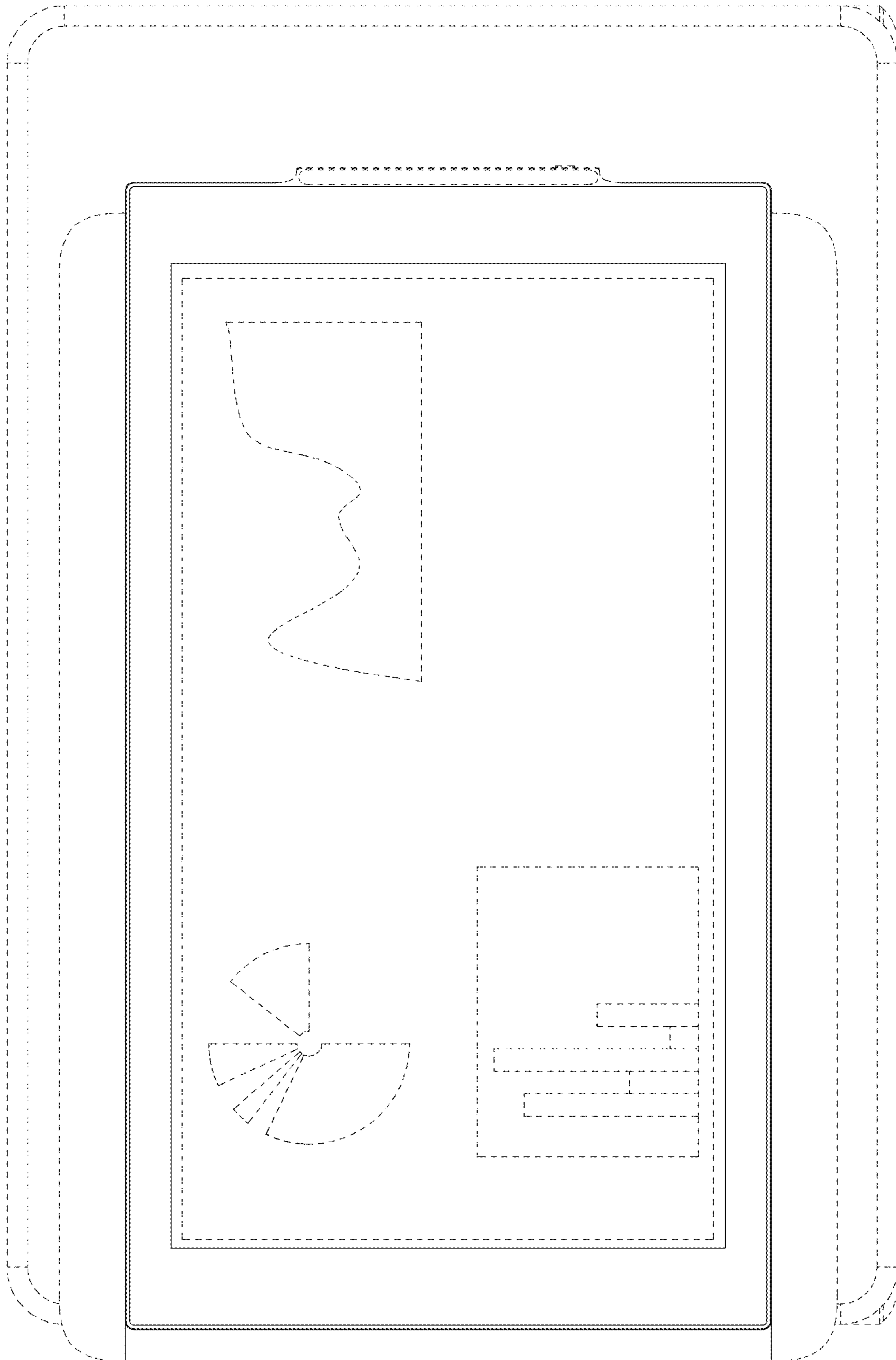


FIG. 2

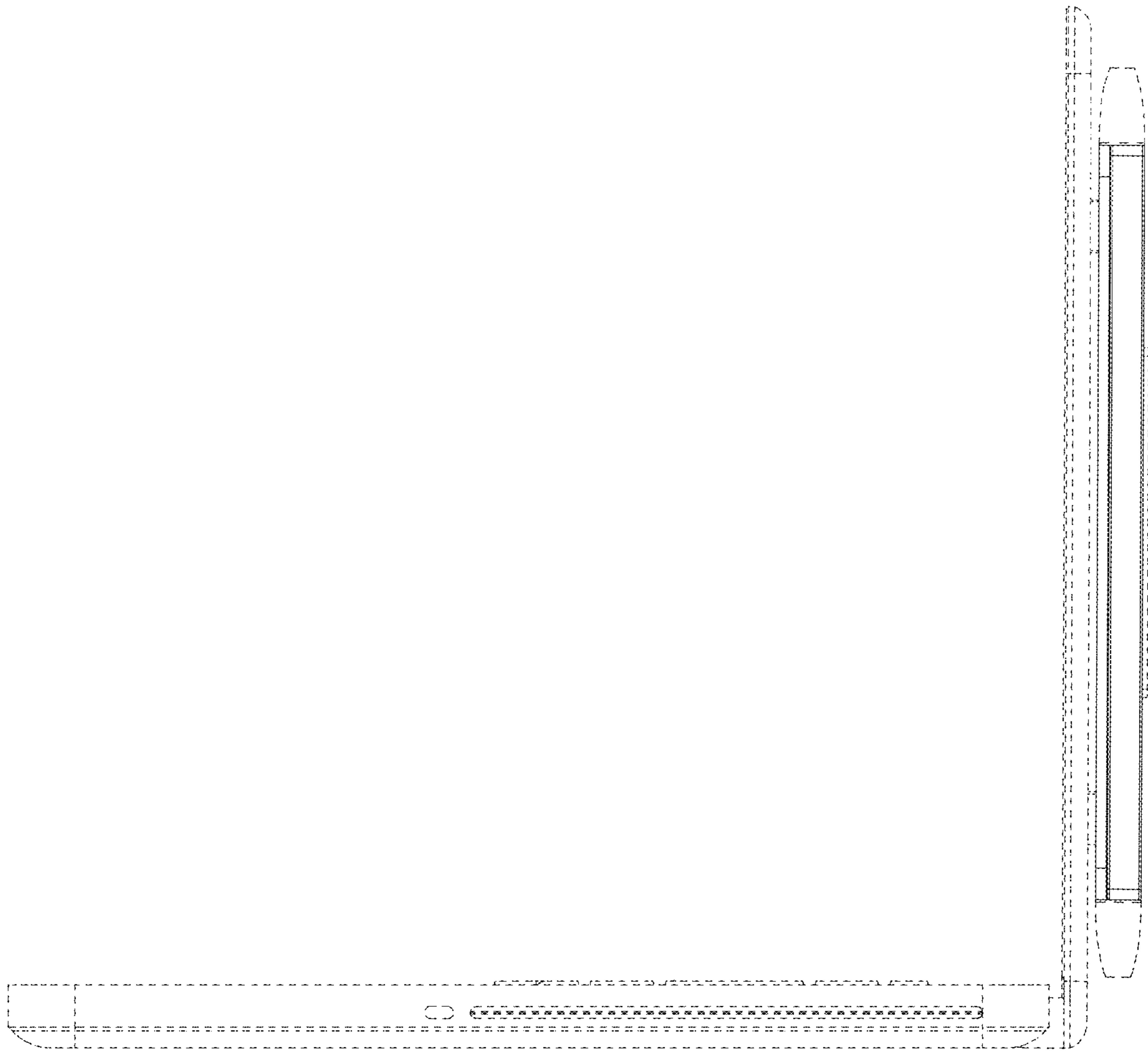


FIG. 3

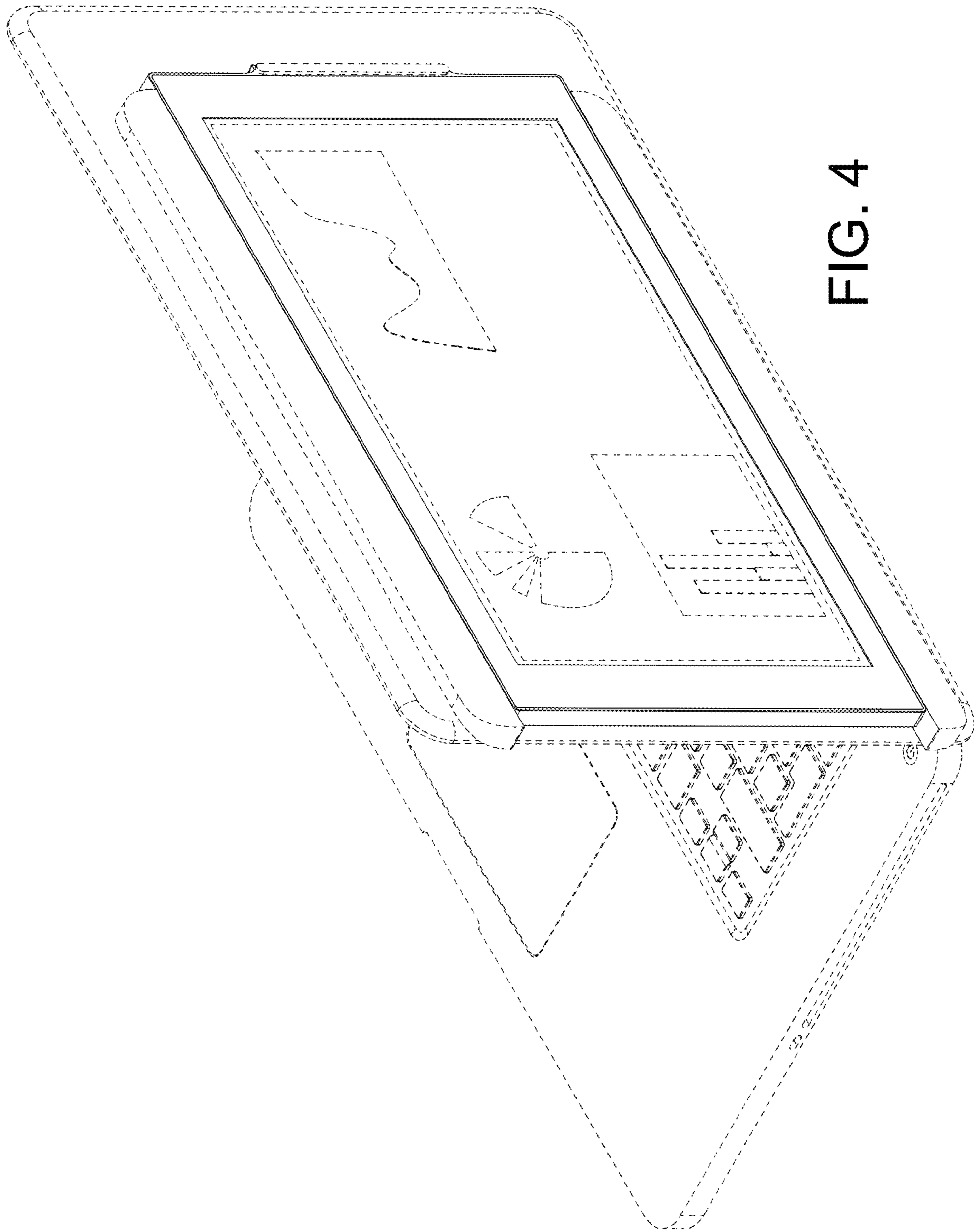


FIG. 4

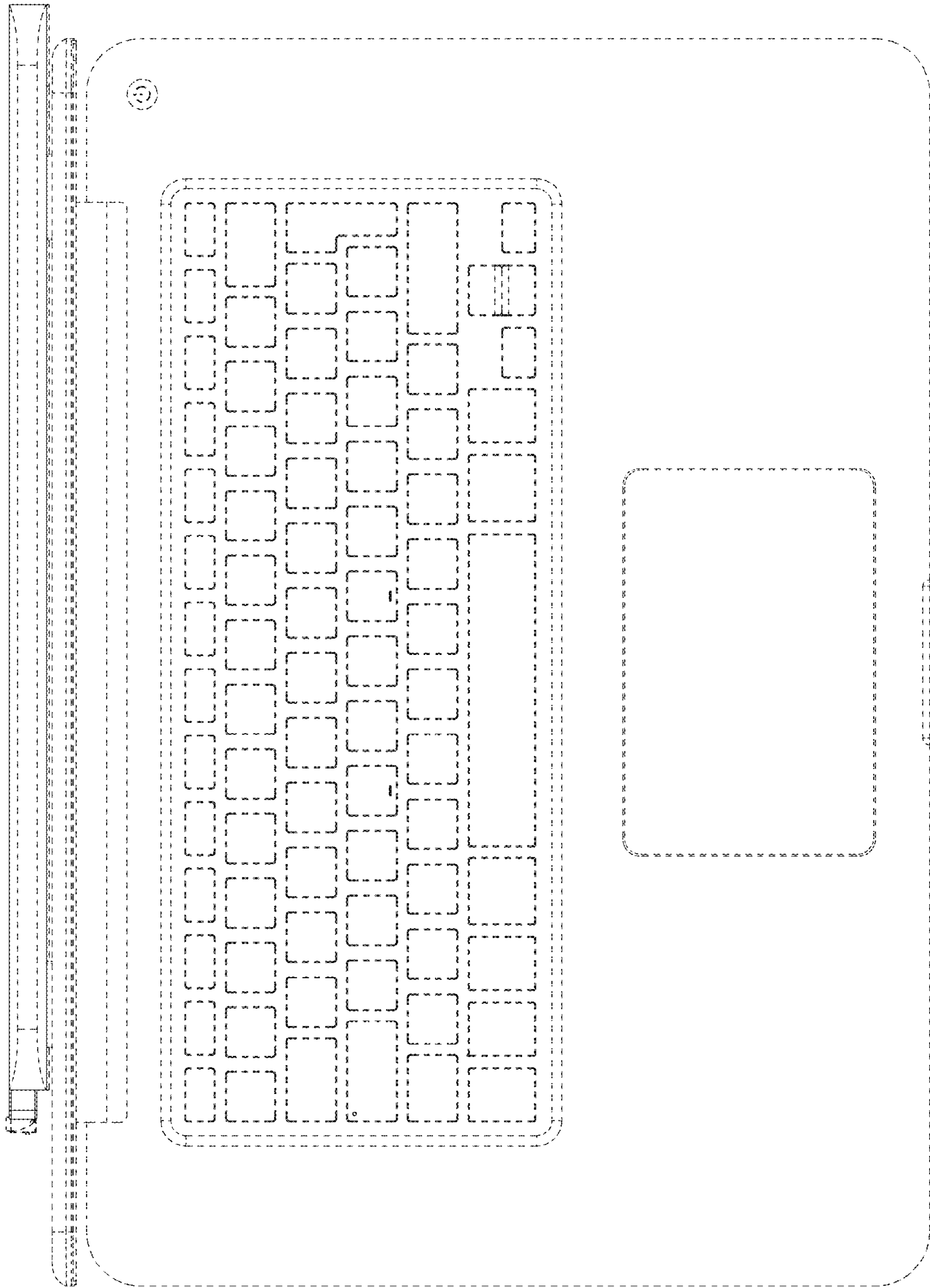


FIG. 5

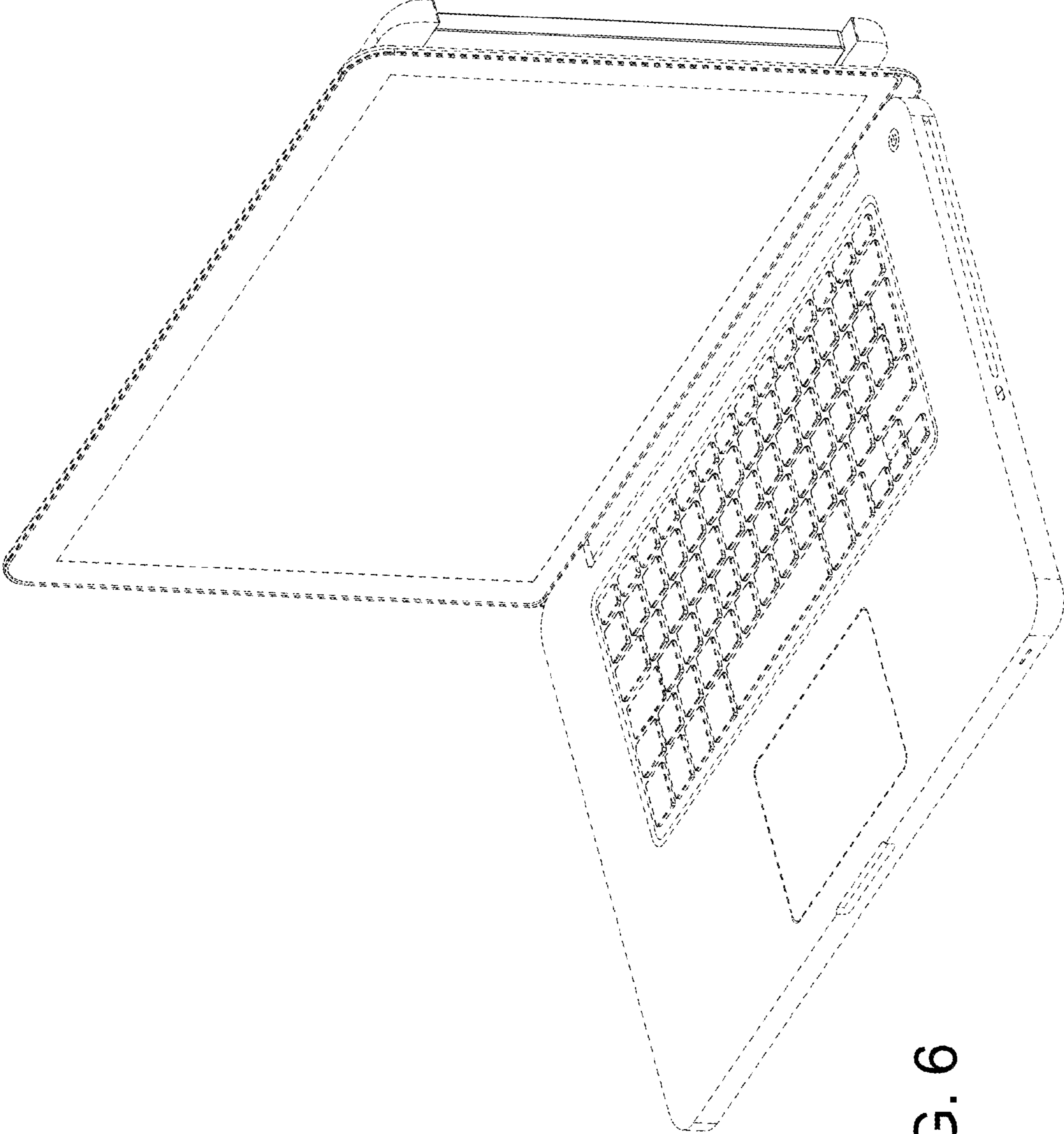


FIG. 6



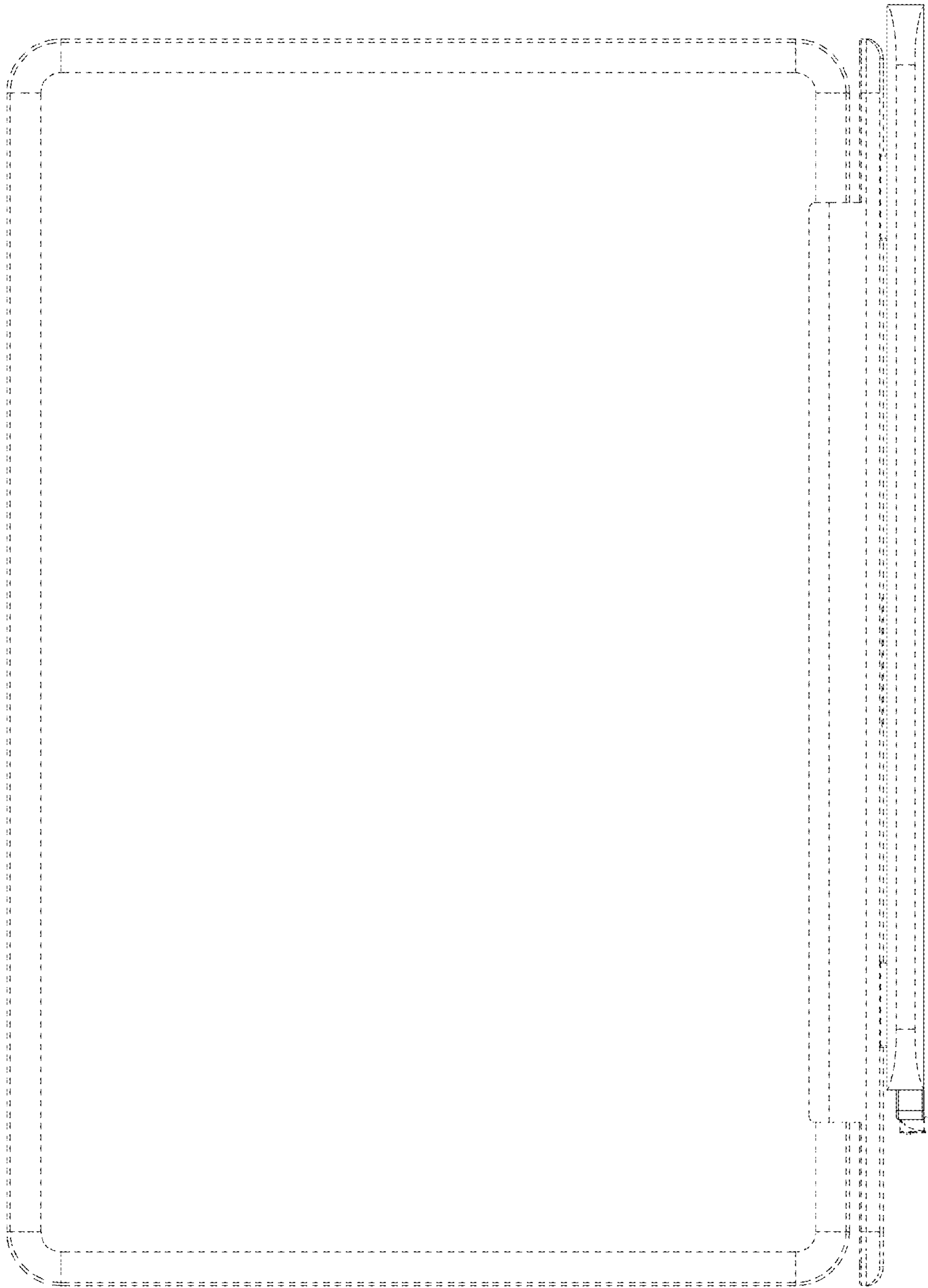


FIG. 7

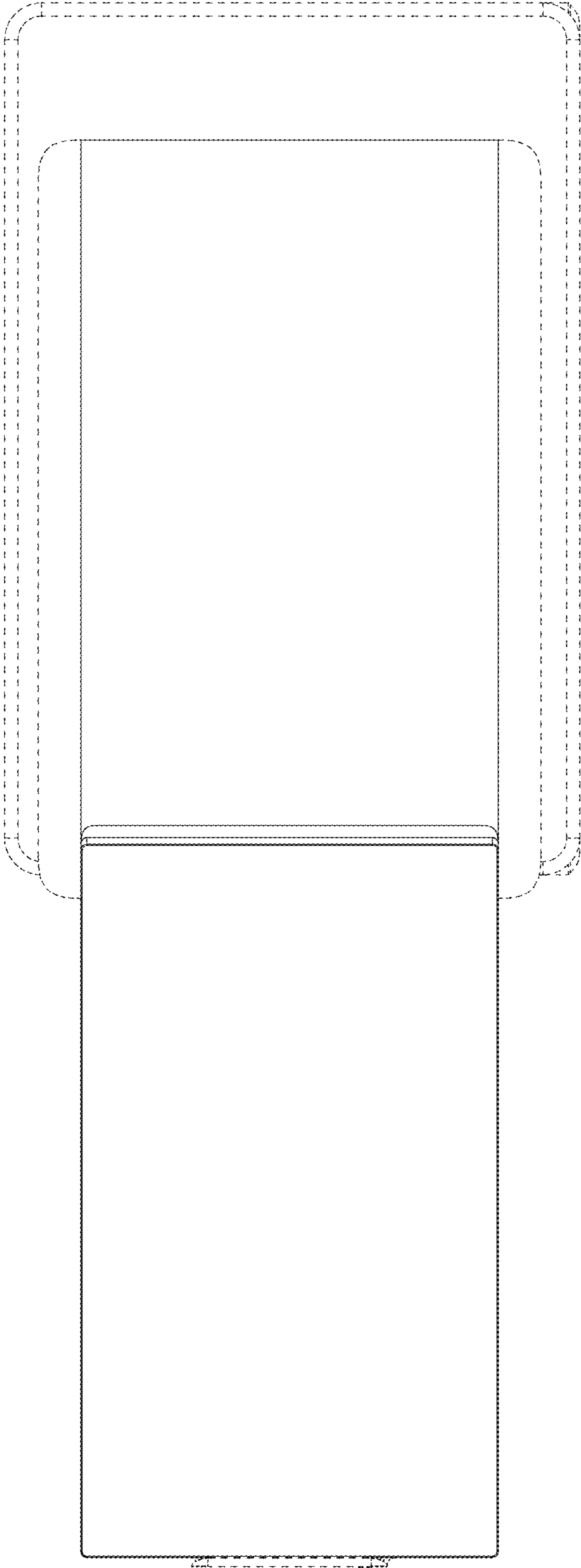


FIG. 8

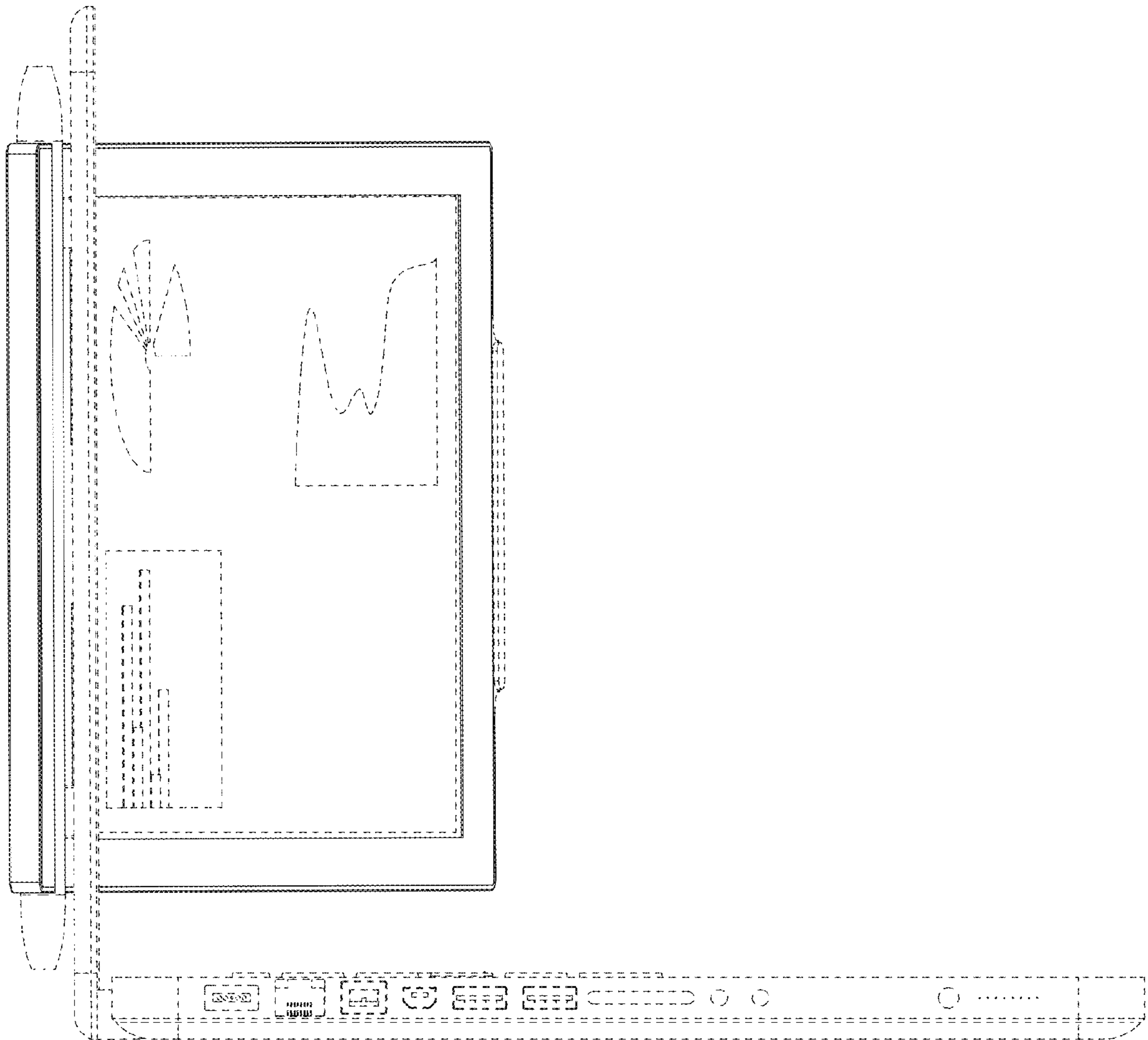


FIG. 9

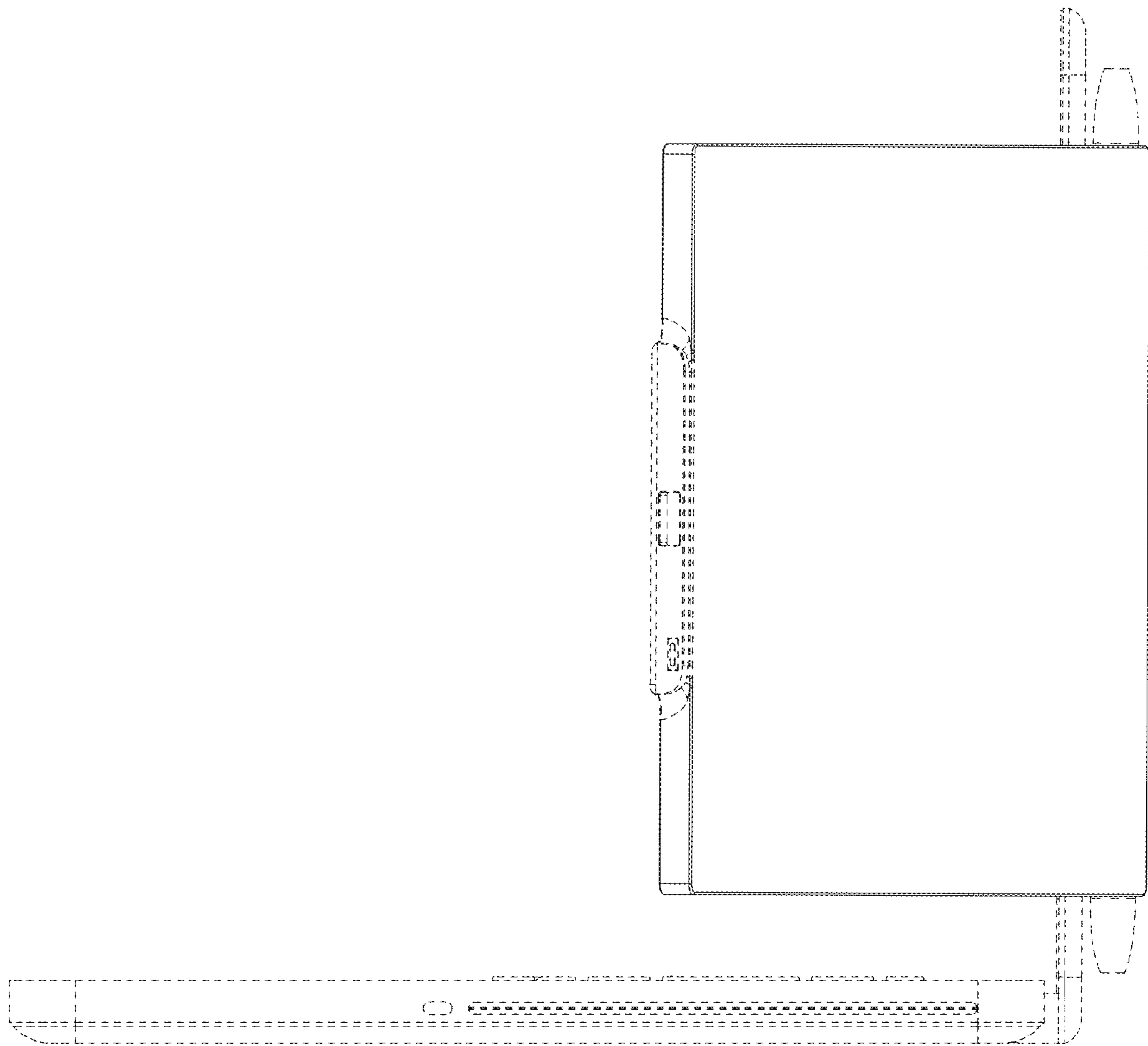


FIG. 10

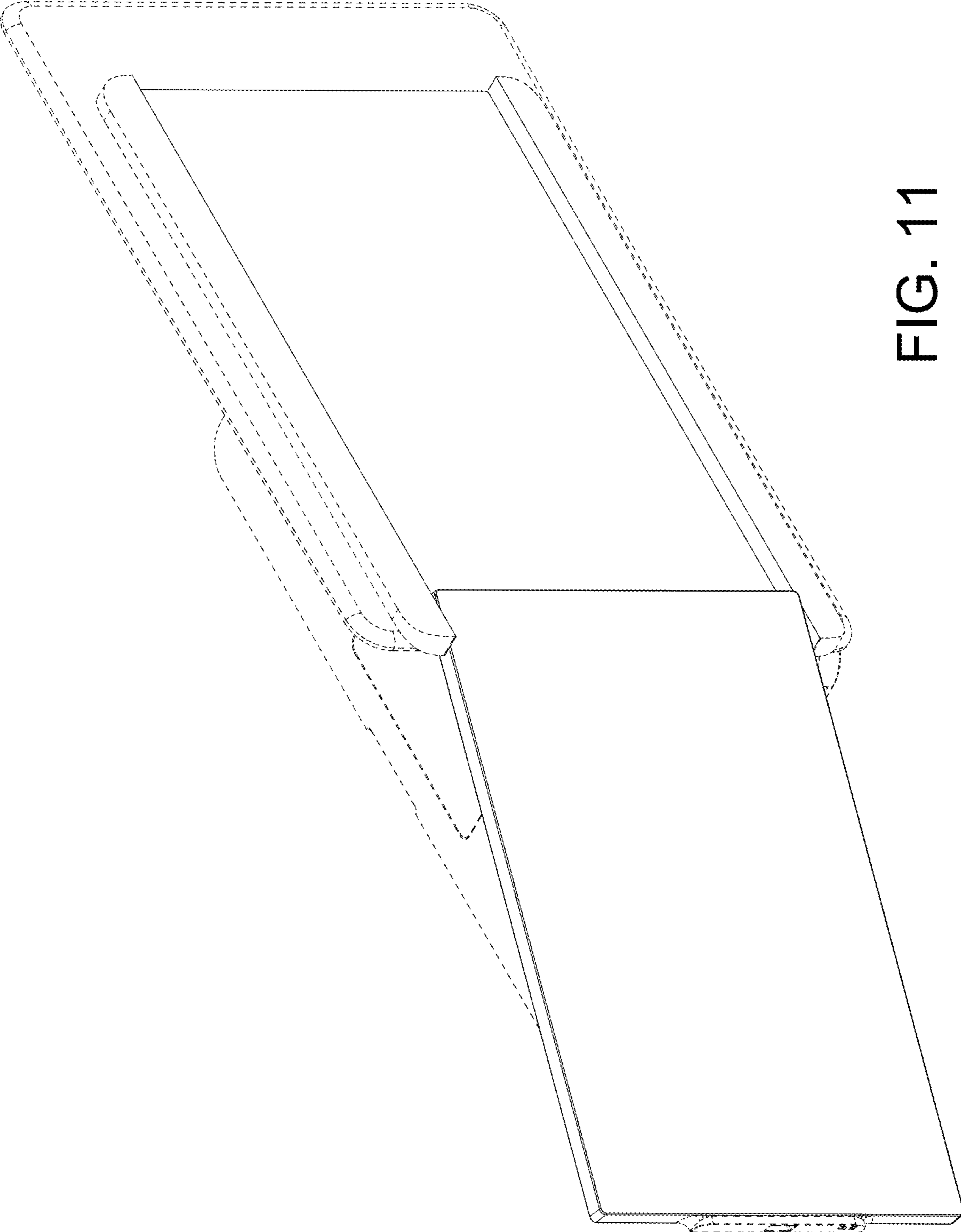


FIG. 11

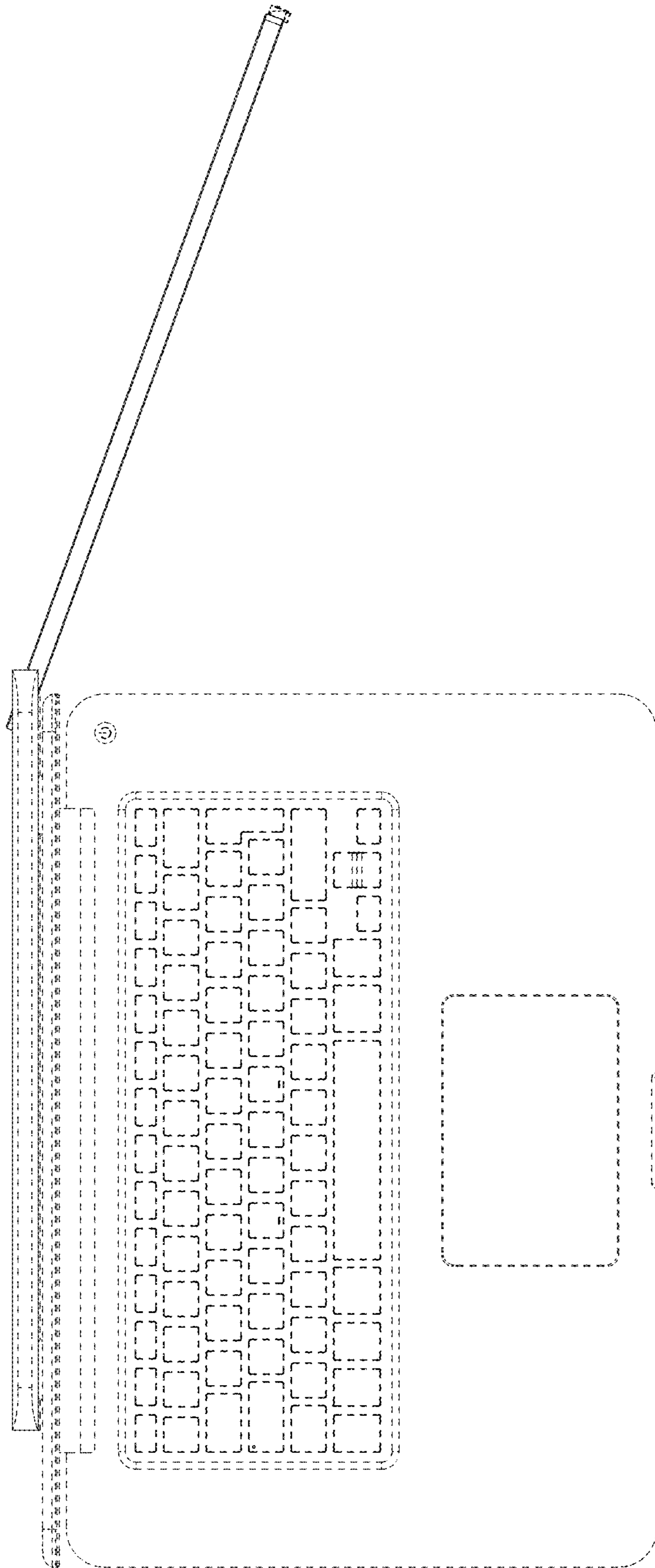


FIG. 12

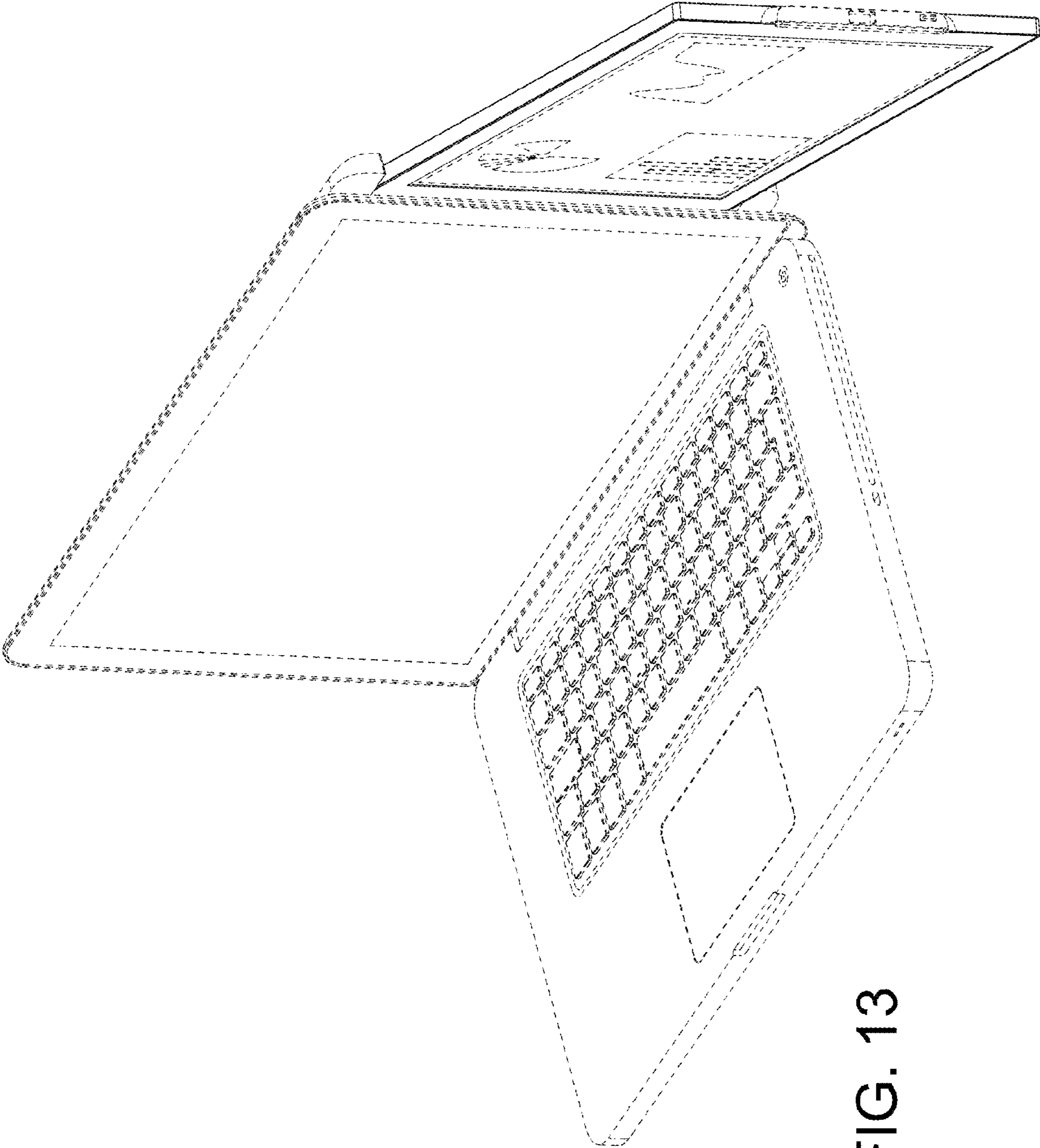


FIG. 13

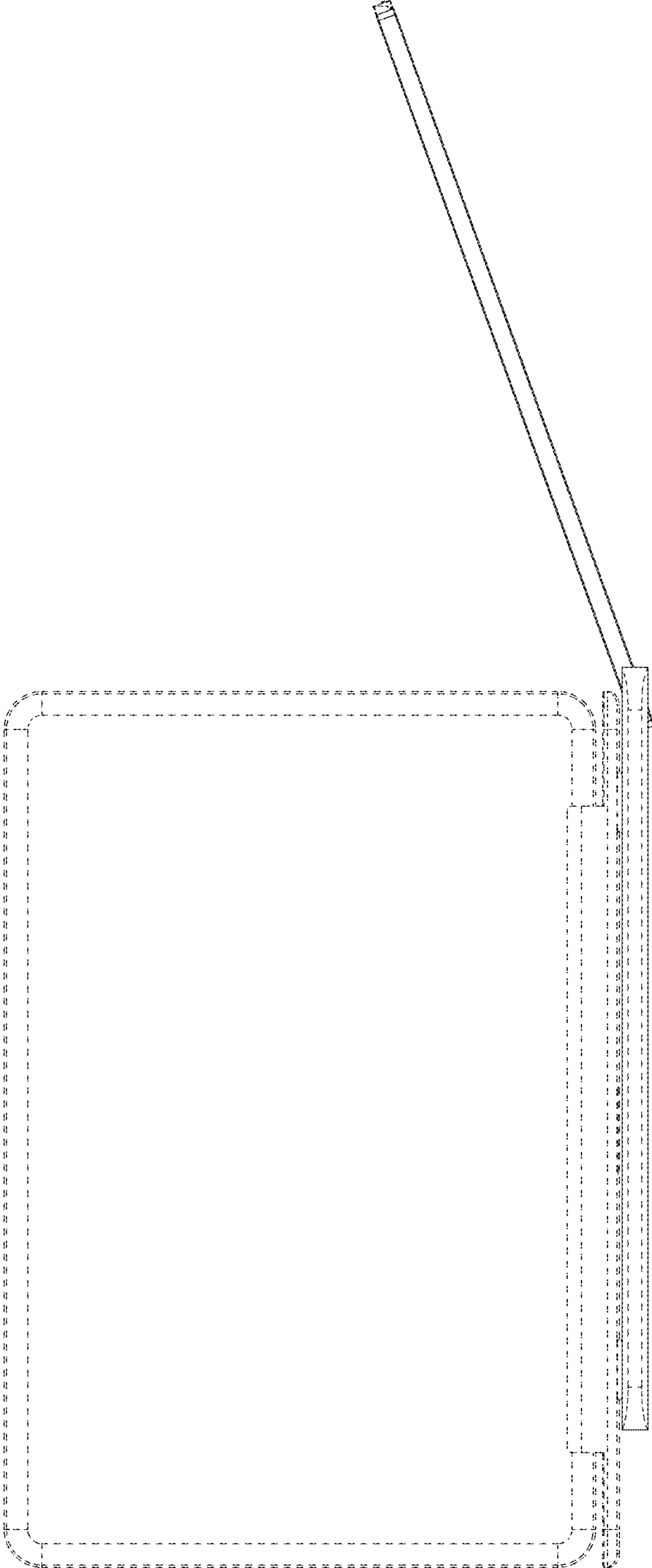


FIG. 14



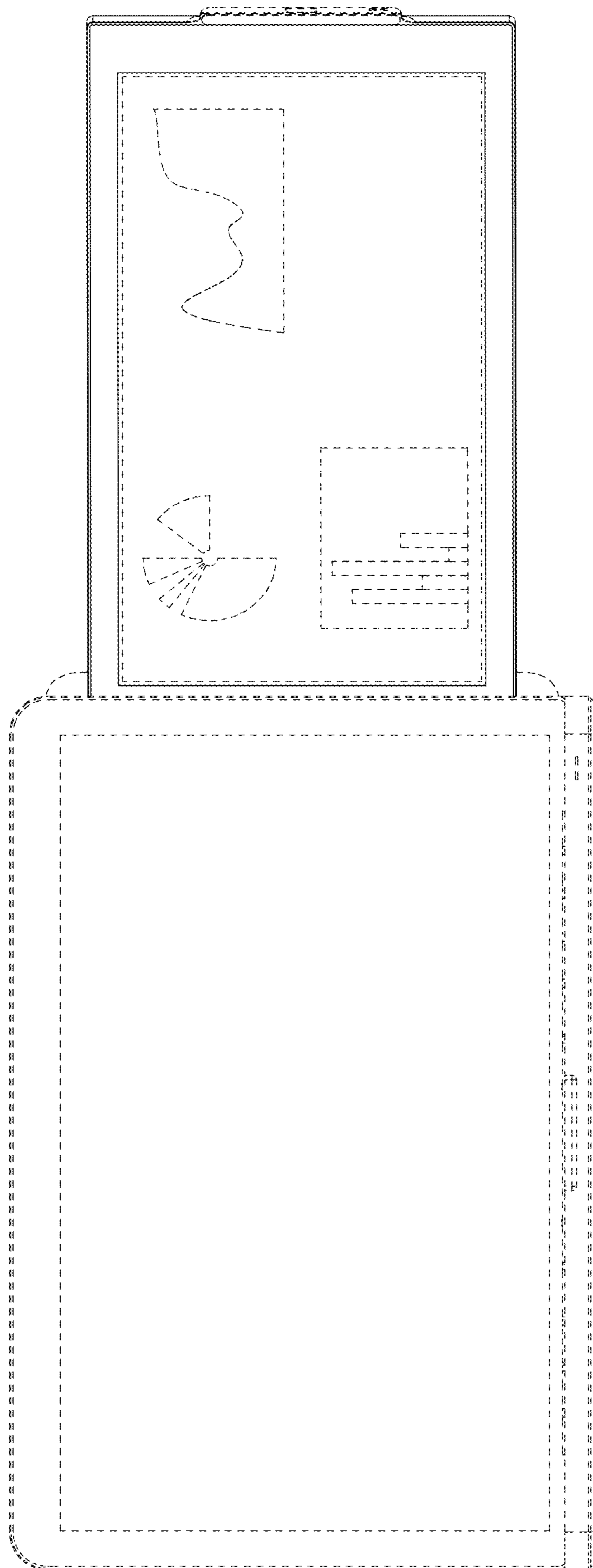


FIG. 15

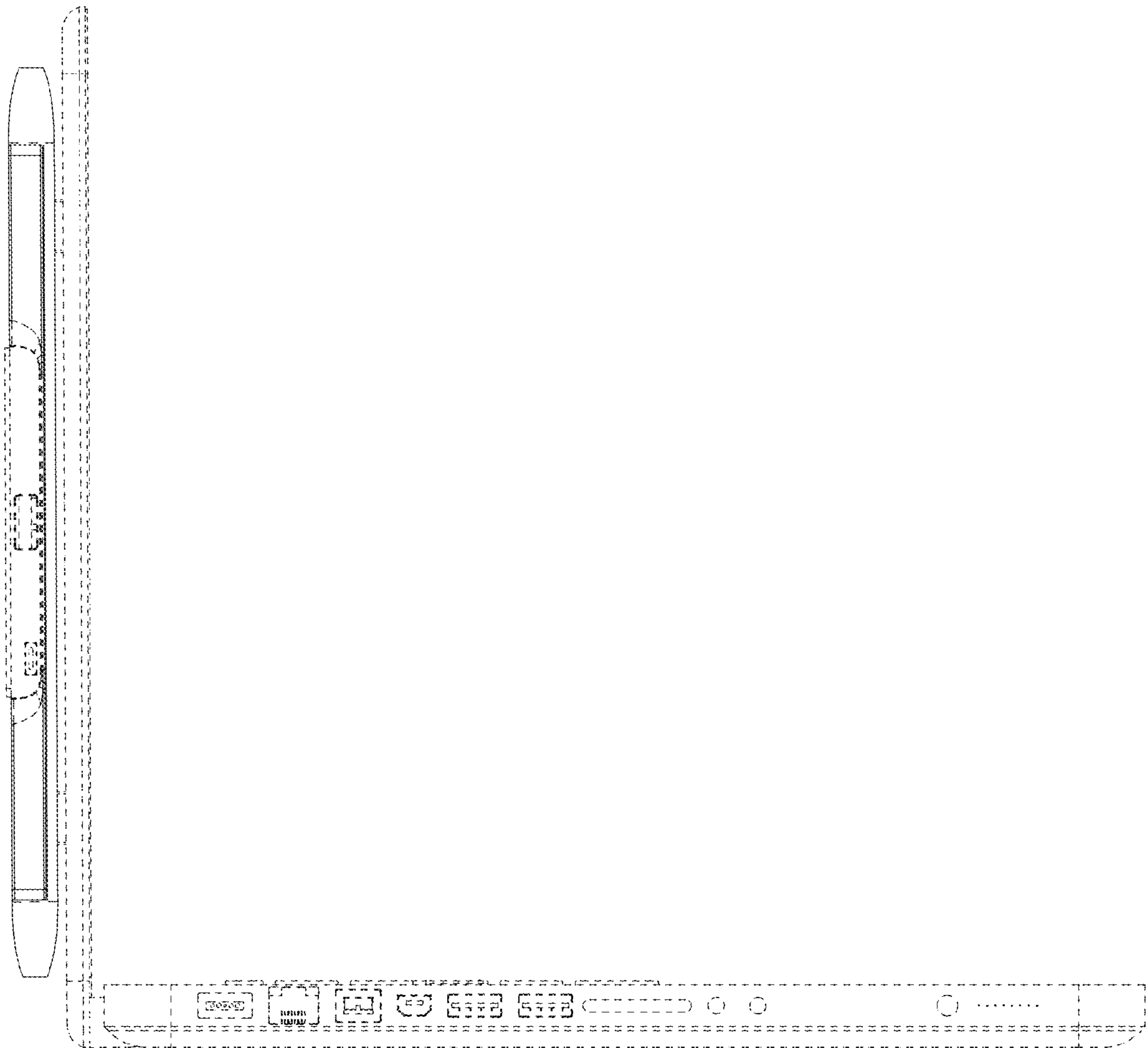


FIG. 16

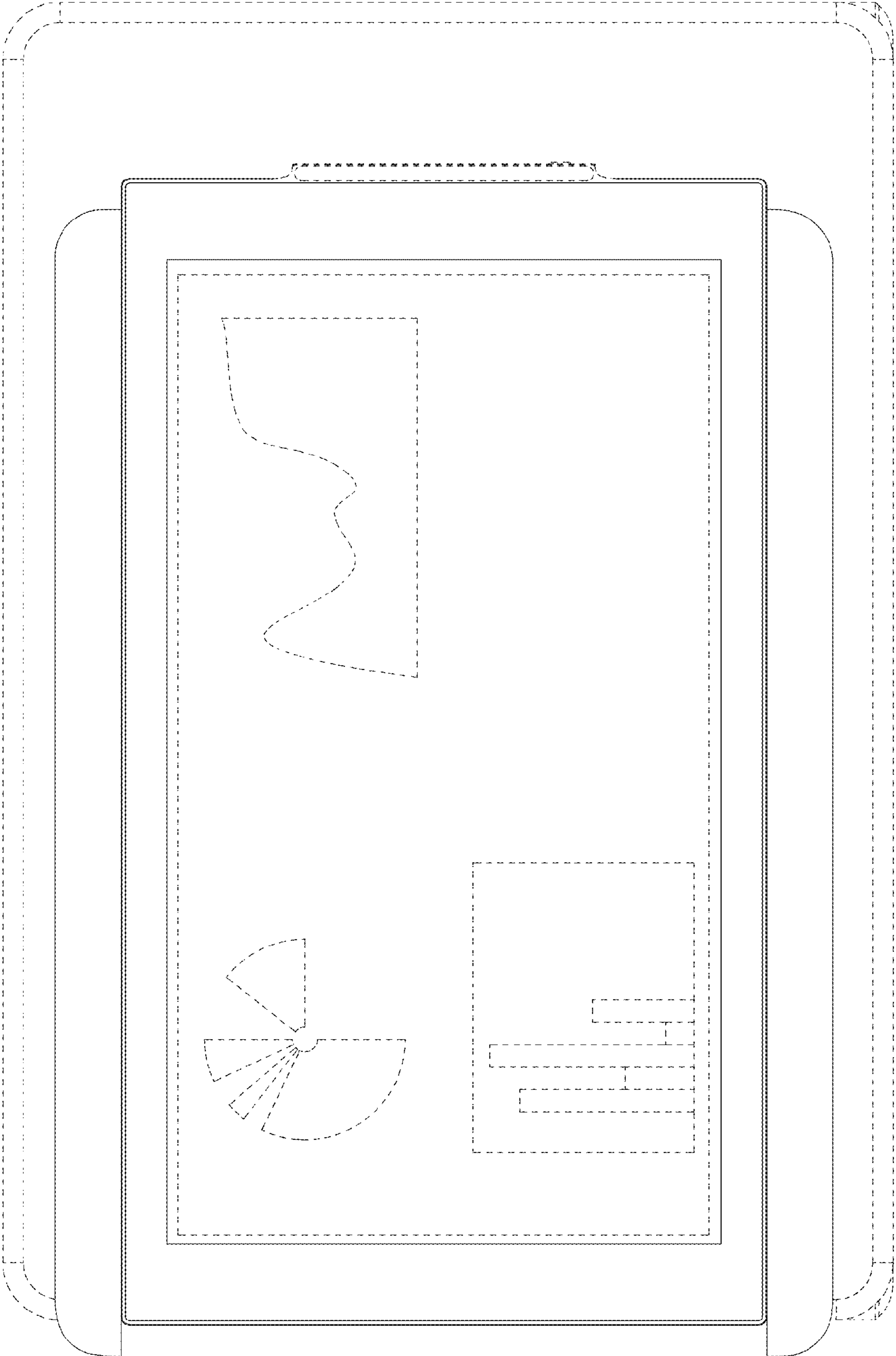


FIG. 17

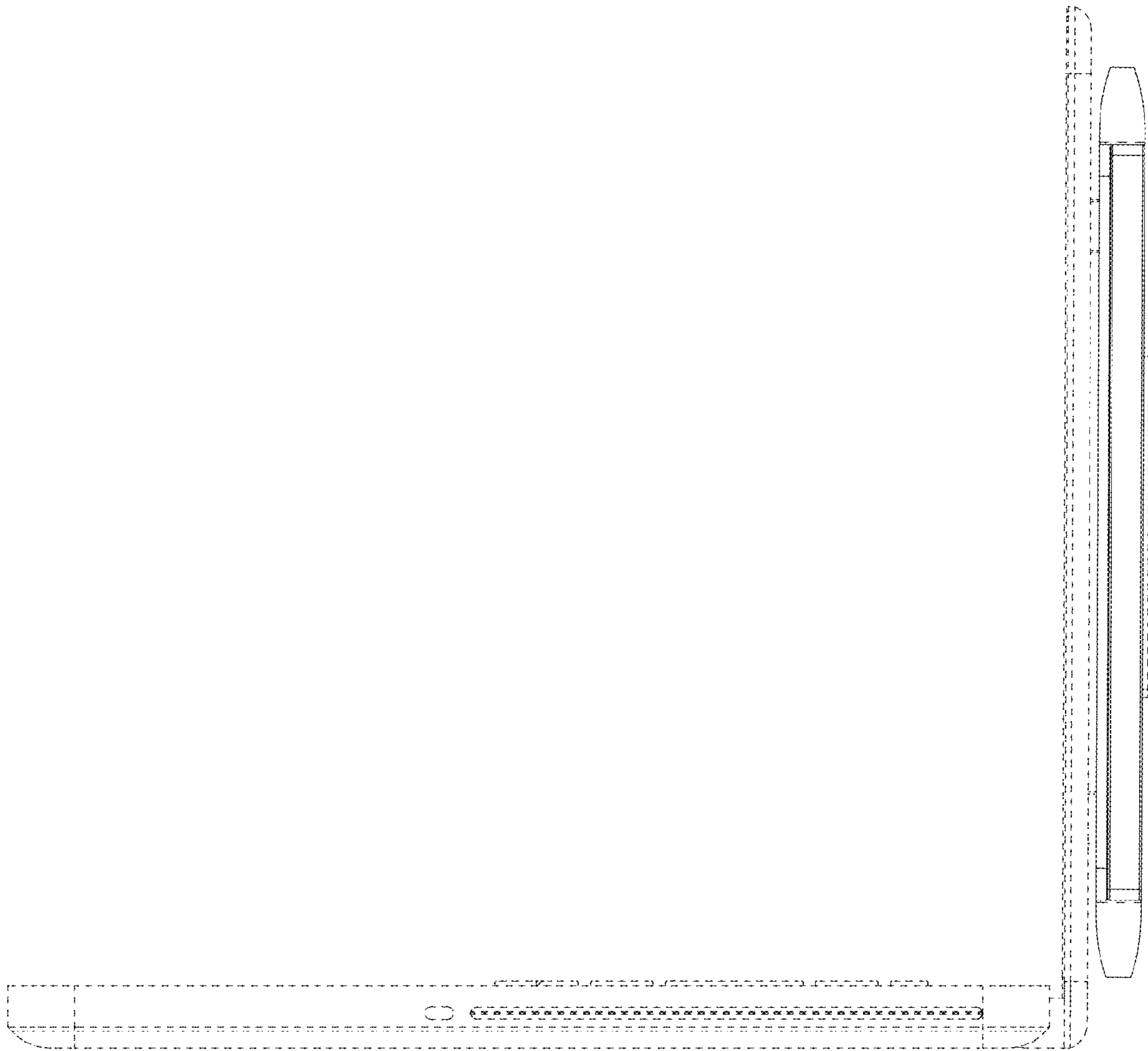


FIG. 18

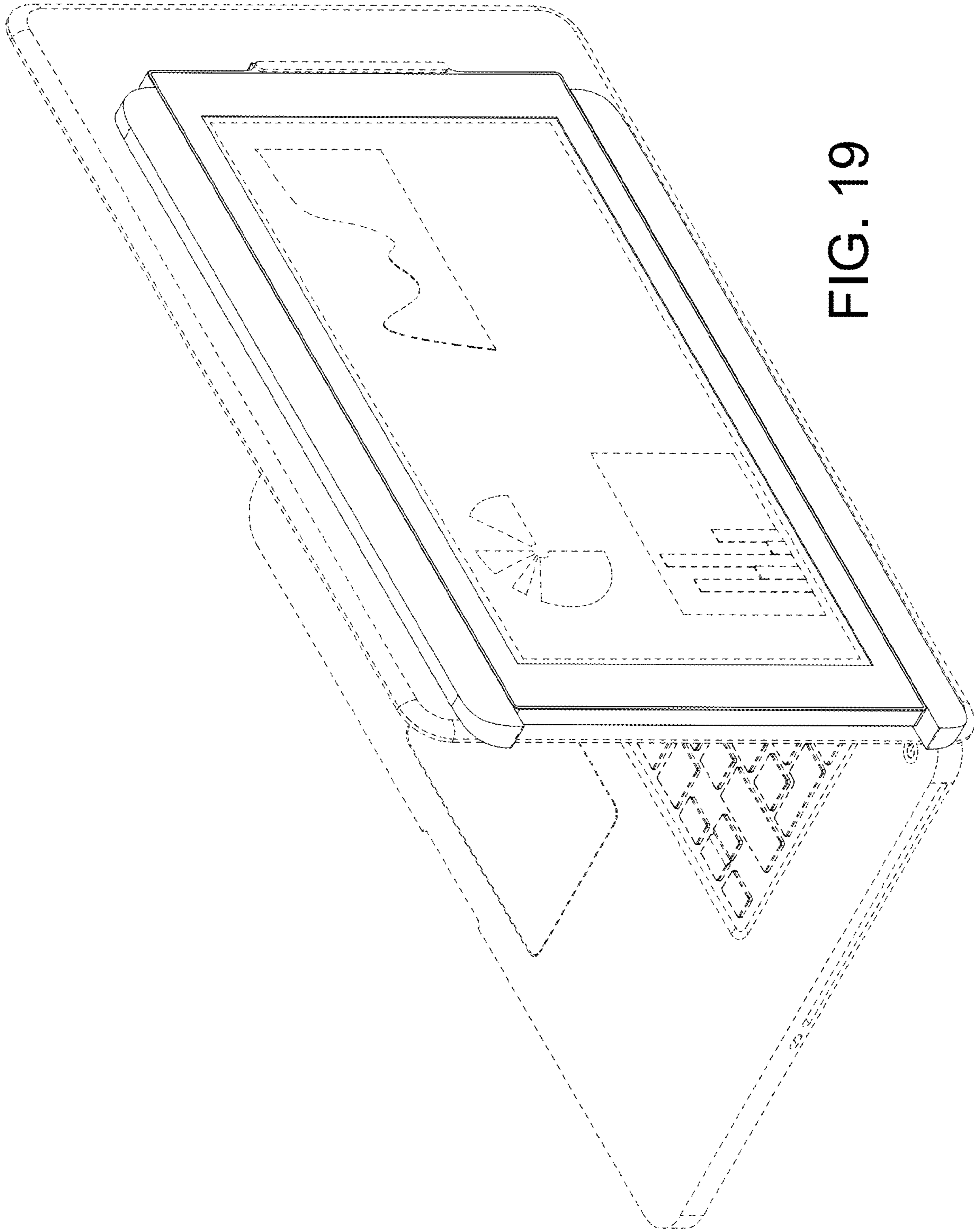


FIG. 19

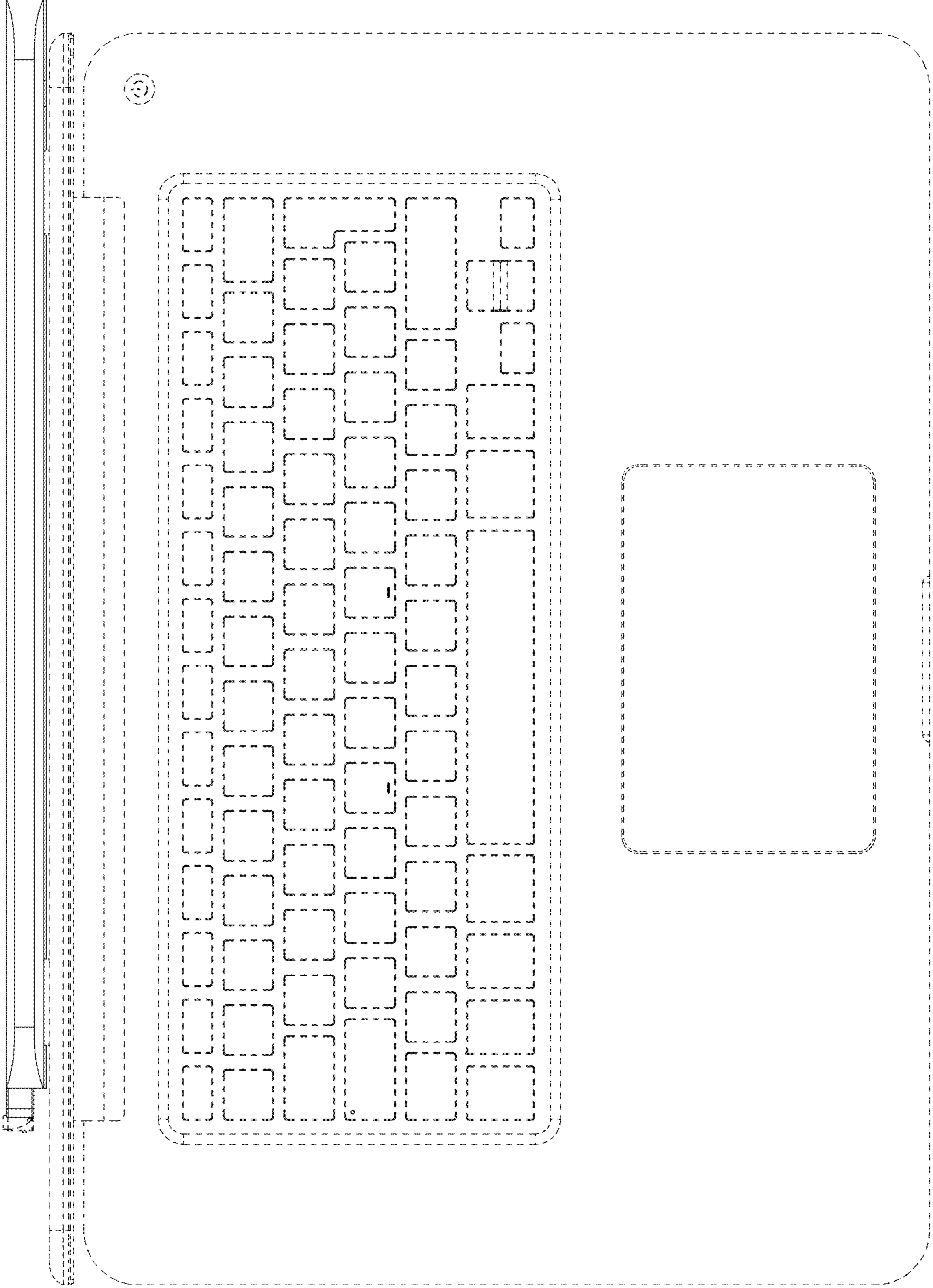


FIG. 20

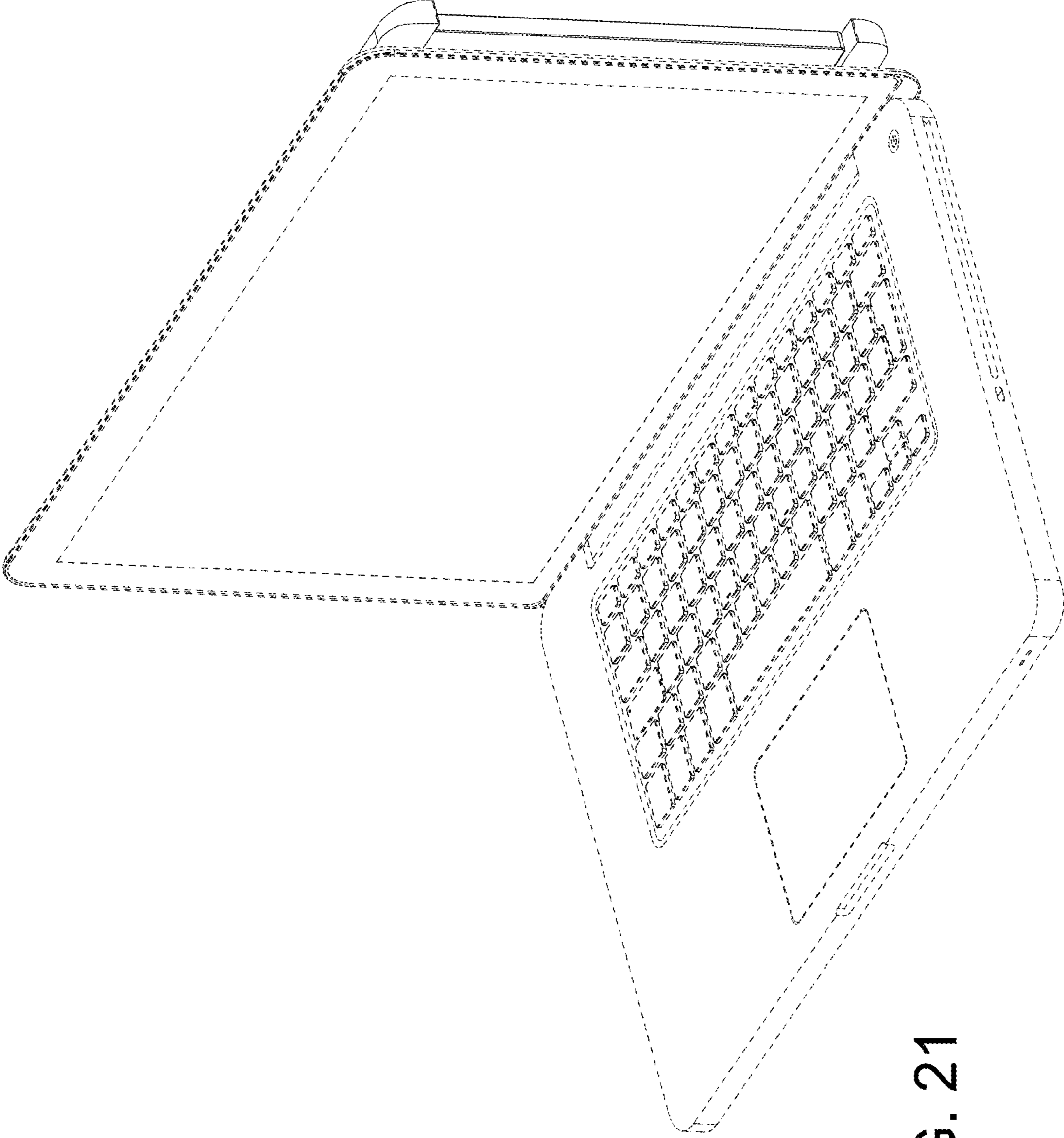


FIG. 21

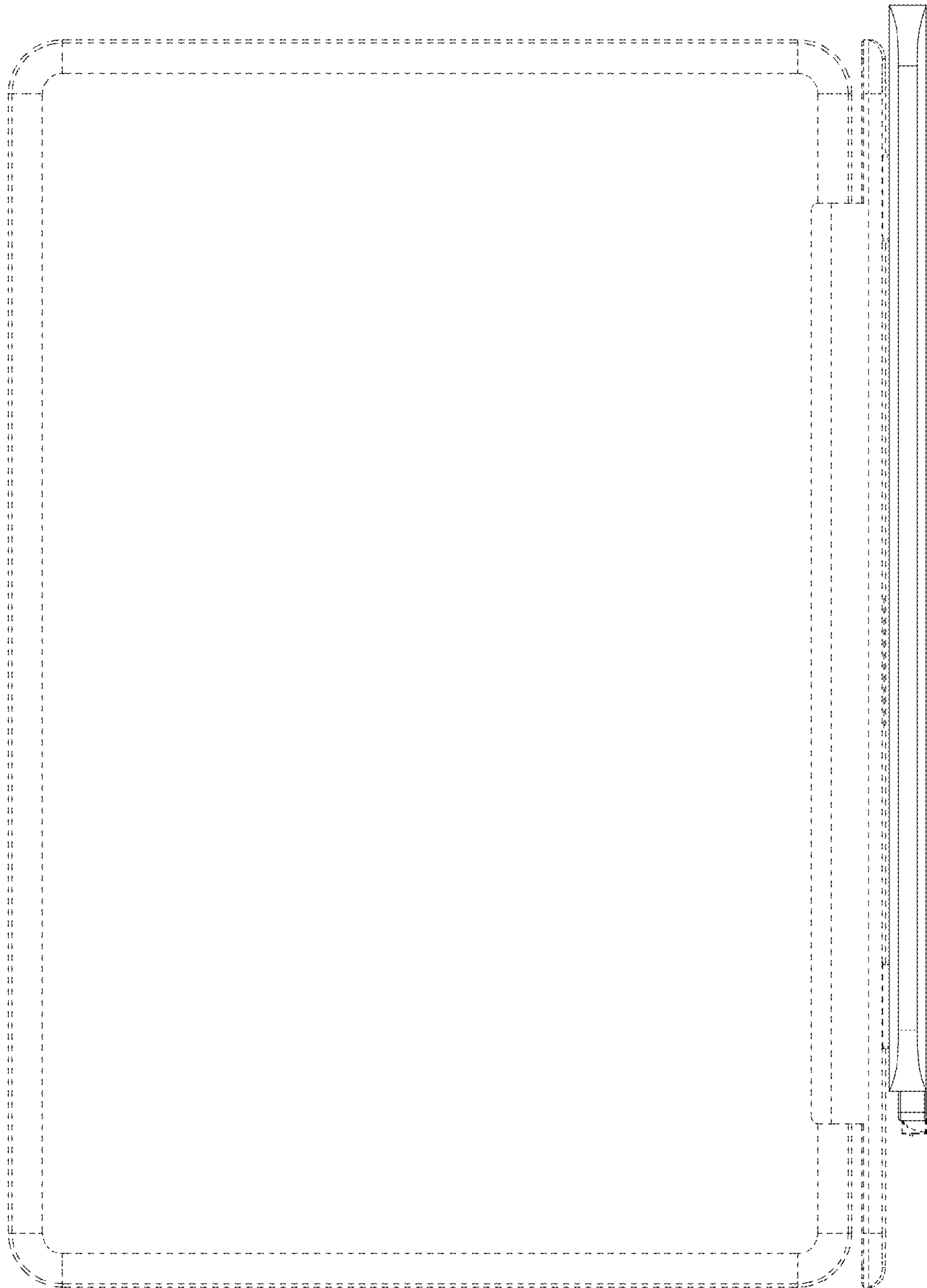


FIG. 22



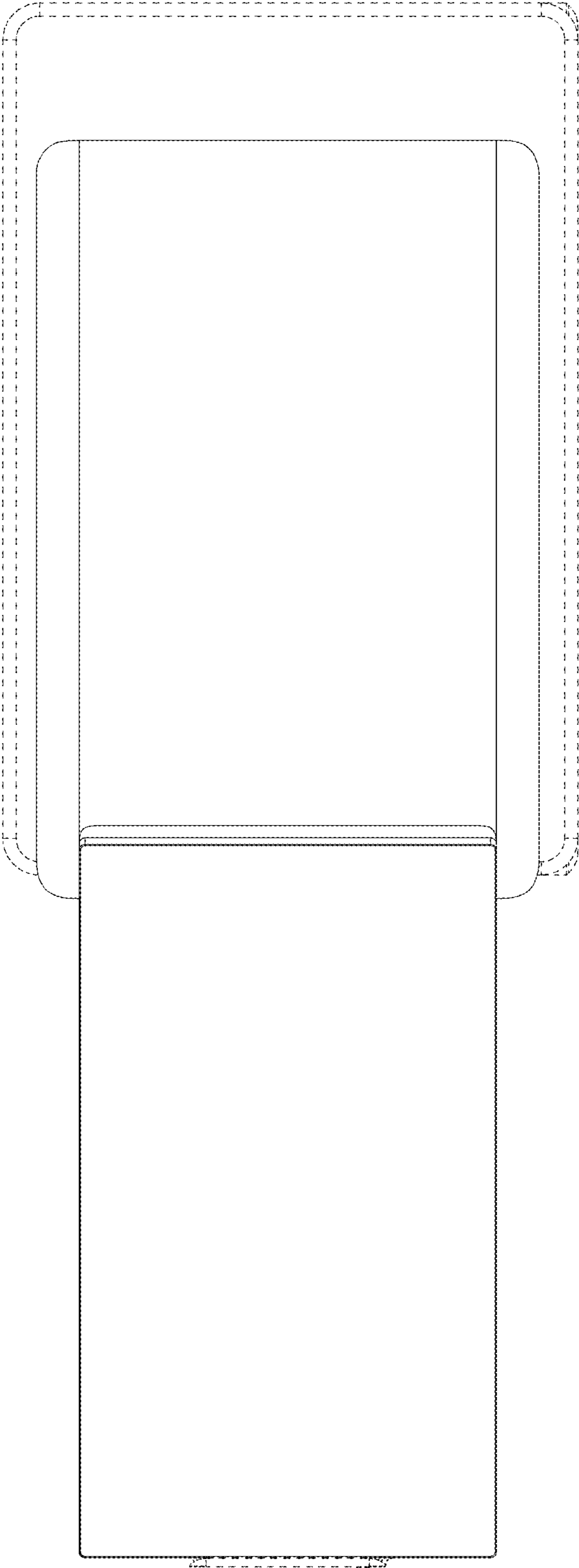


FIG. 23

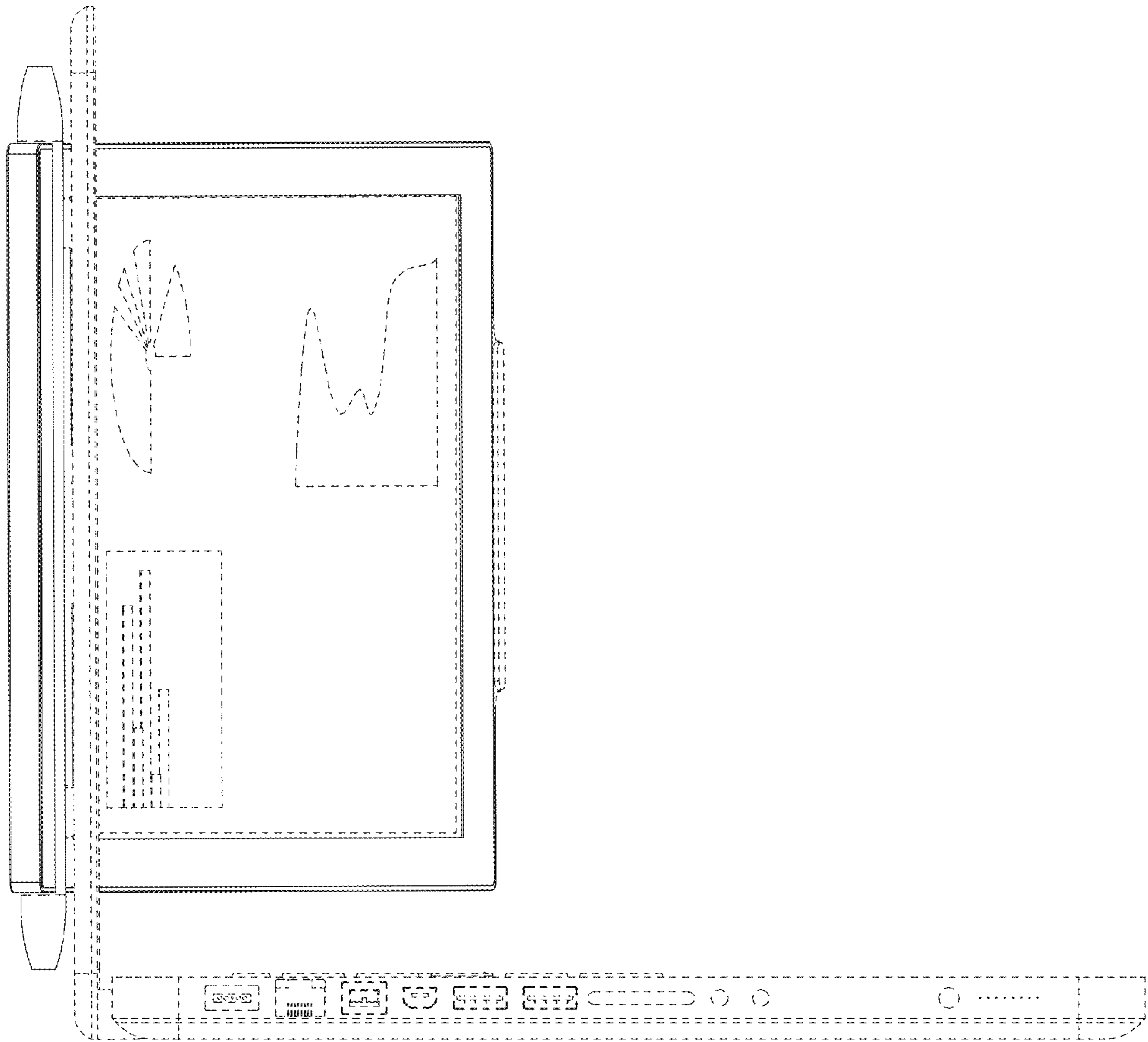


FIG. 24

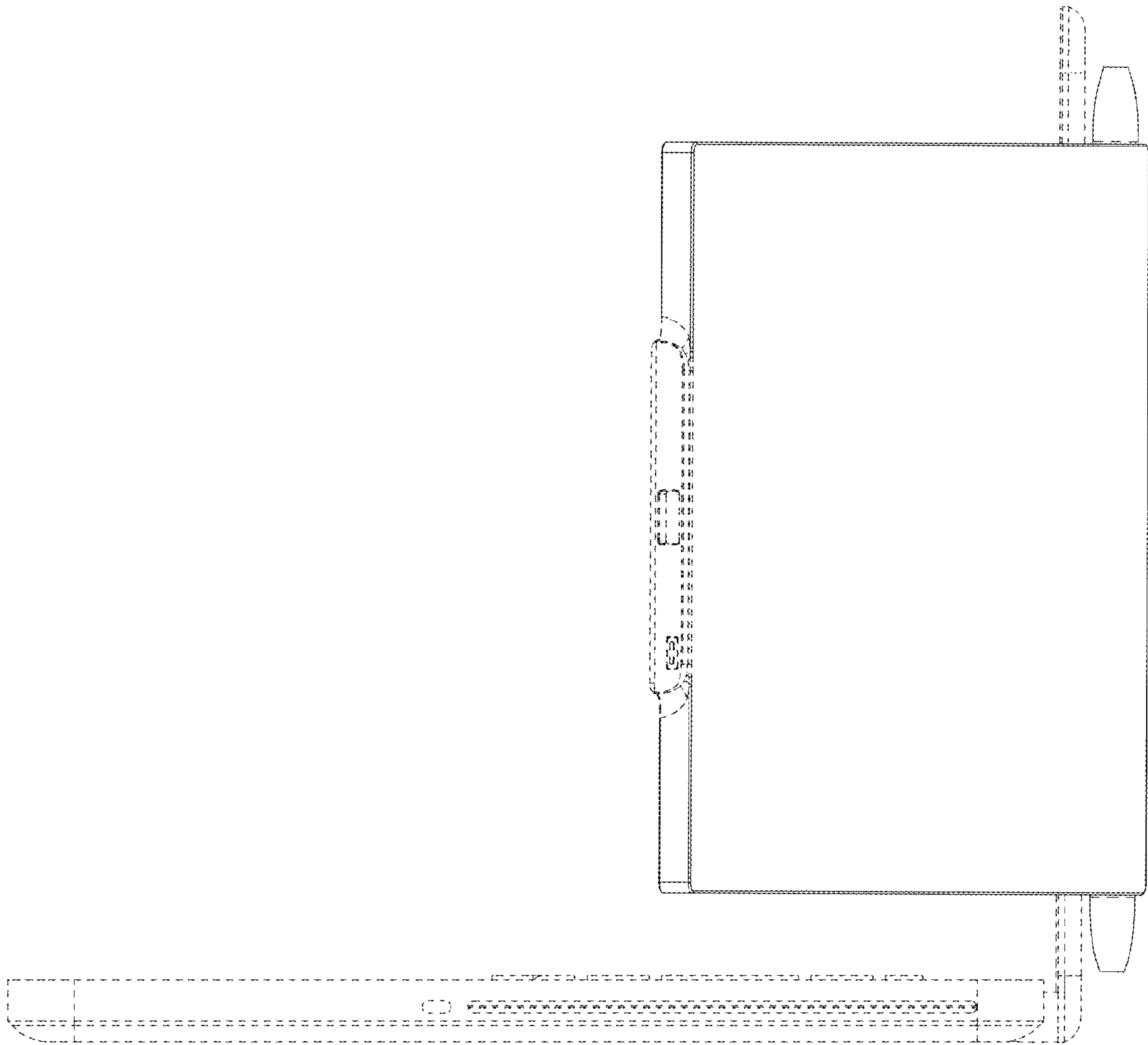


FIG. 25

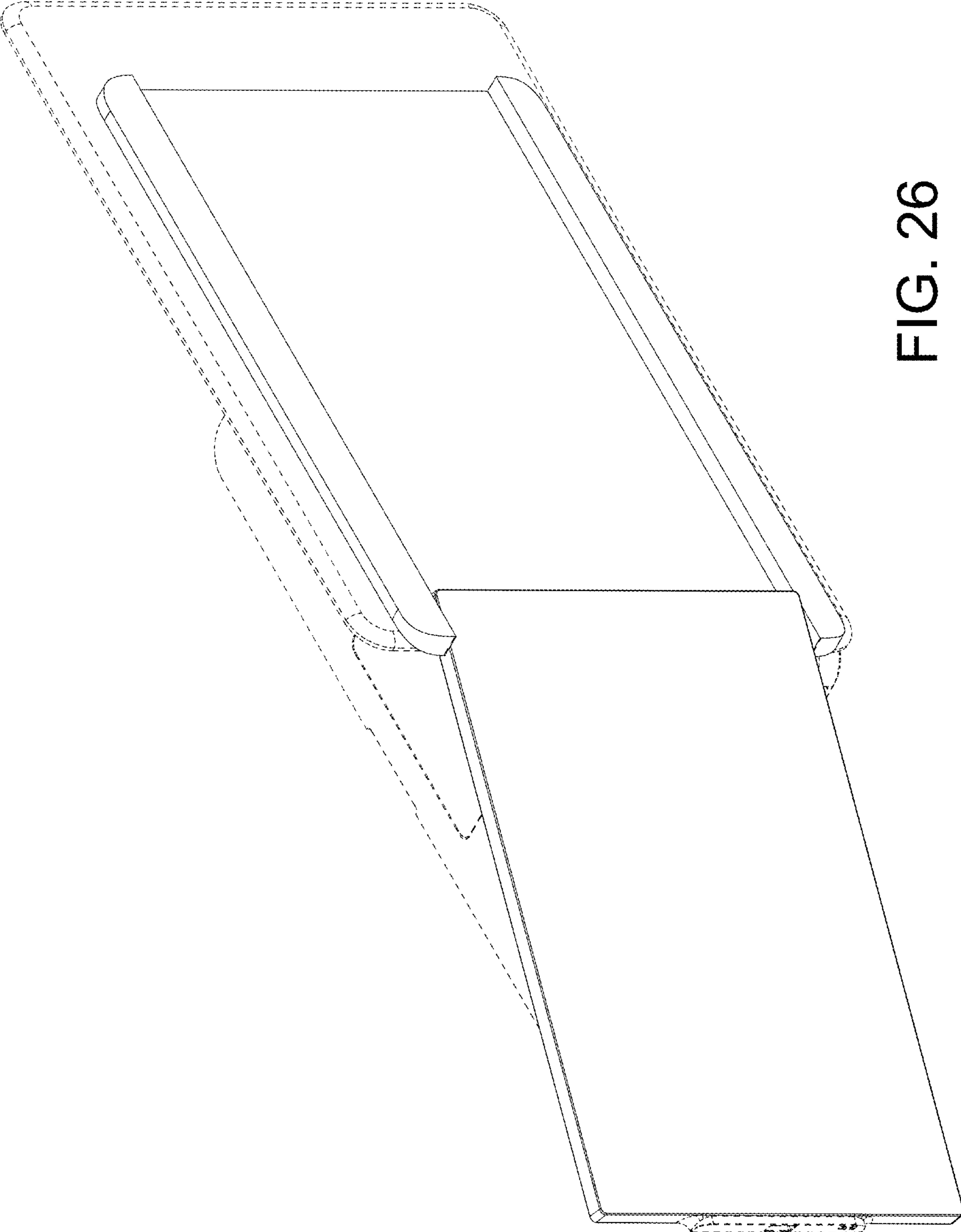


FIG. 26

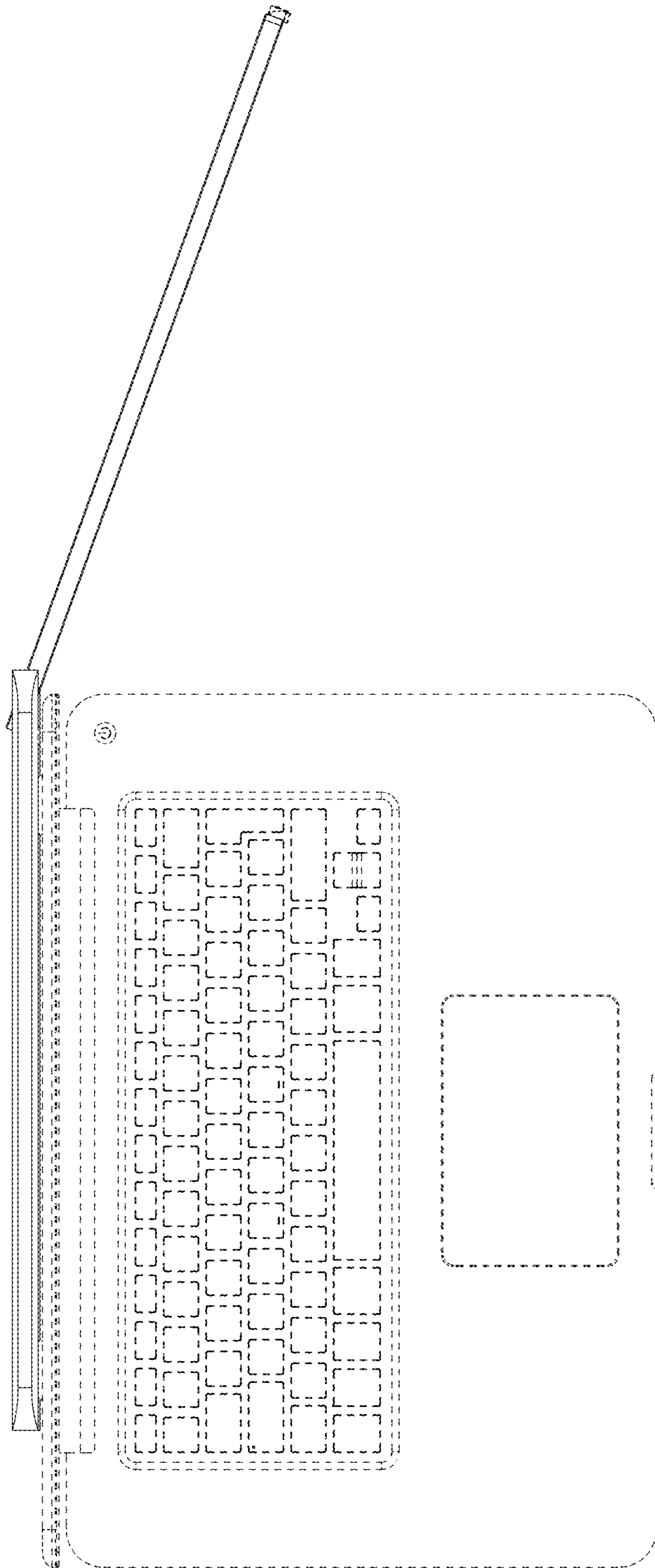


FIG. 27

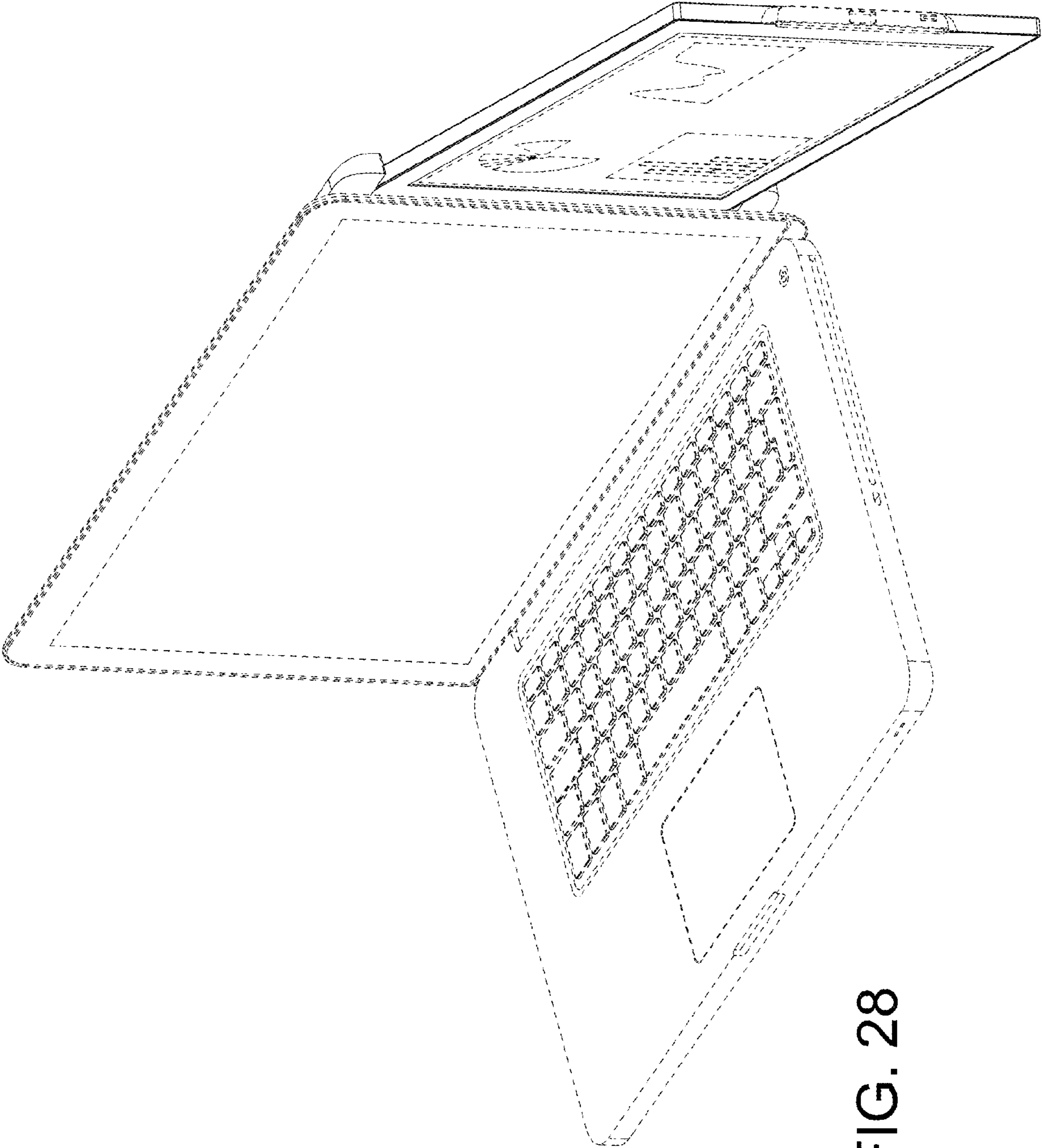


FIG. 28

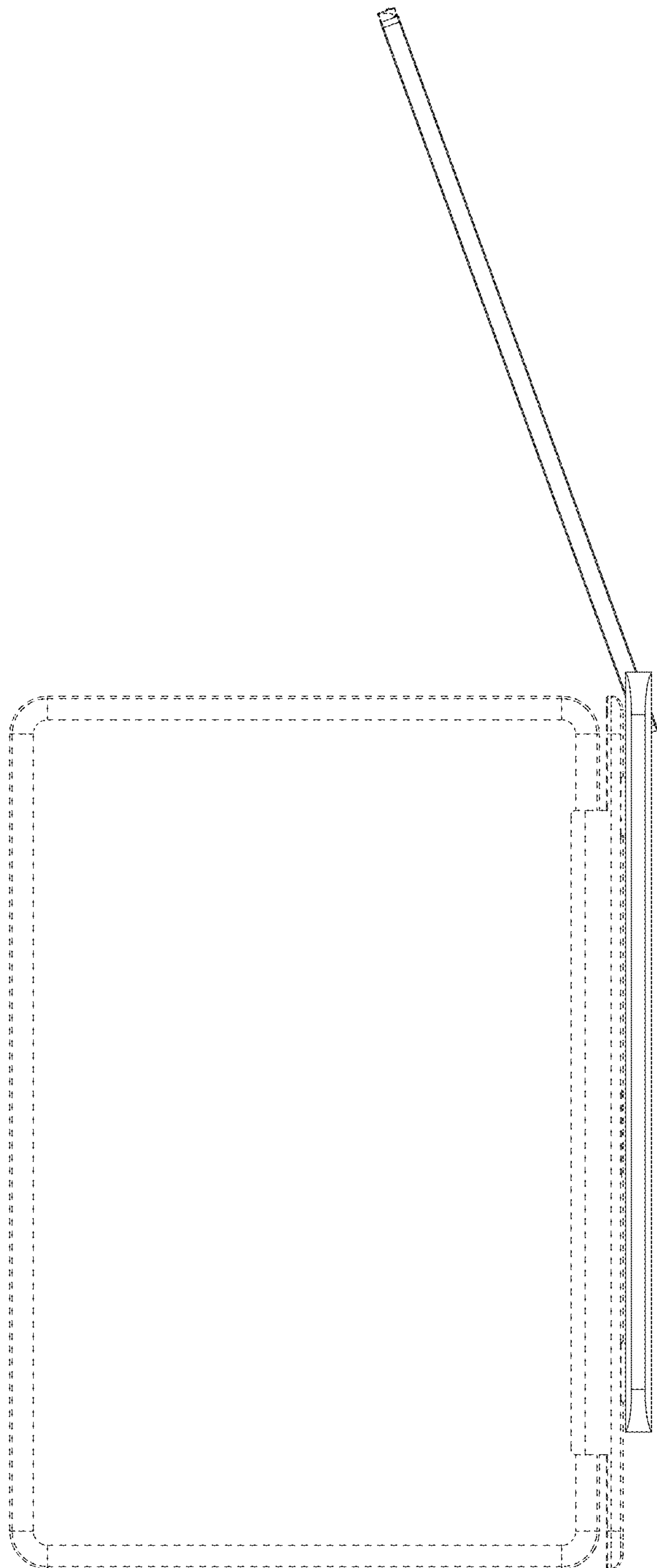


FIG. 29

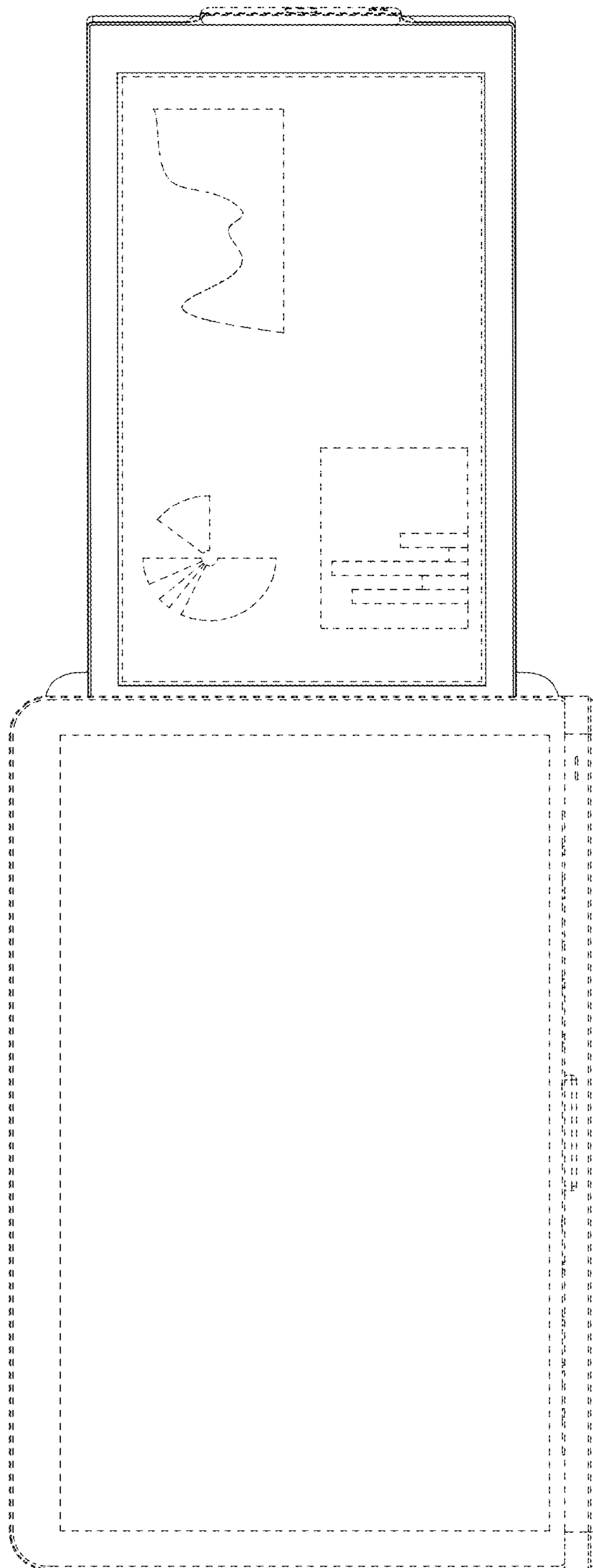


FIG. 30