



US00D964357S

(12) **United States Design Patent** (10) **Patent No.:** **US D964,357 S**
Lee et al. (45) **Date of Patent:** **** Sep. 20, 2022**

(54) **ELECTRONIC DEVICE**

FOREIGN PATENT DOCUMENTS

(71) Applicant: **Samsung Electronics Co., Ltd.**,
Suwon-si (KR)

CN 304477203 * 1/2018
CN 305307460 * 8/2019

(72) Inventors: **Seo Lee**, Suwon-si (KR); **Seungchan Lee**, Suwon-si (KR); **Sangchulmatt Lee**, Suwon-si (KR); **Hoon Han**, Suwon-si (KR); **Yunjeong Ji**, Suwon-si (KR); **Seonkeun Park**, Suwon-si (KR); **Duyeong Choi**, Suwon-si (KR)

OTHER PUBLICATIONS

Flex In & Out, first available Sep. 1, 2021 [online], [retrieved May 2, 2022]. Available from the Internet, URL:<https://www.phonearena.com/news/Samsung-unveils-triple-folding-display-prototype-fled-in-and-out_id134713>. (Year: 2021).*

(73) Assignee: **SAMSUNG ELECTRONICS CO., LTD.**, Suwon-si (KR)

Primary Examiner — Tracey J Bell

Assistant Examiner — Russell Carnell Smith, Jr.

(**) Term: **15 Years**

(74) *Attorney, Agent, or Firm* — McAndrews Held & Malloy, Ltd.

(21) Appl. No.: **29/763,653**

(57) **CLAIM**

The ornamental design for an electronic device, as shown and described.

(22) Filed: **Dec. 23, 2020**

(30) **Foreign Application Priority Data**

DESCRIPTION

Jun. 30, 2020 (KR) 30-2020-0029815
Jun. 30, 2020 (KR) 30-2020-0029817
Jun. 30, 2020 (KR) 30-2020-0029824
Jun. 30, 2020 (KR) 30-2020-0029825
Jun. 30, 2020 (KR) 30-2020-0029826

FIG. 1 is a front perspective view of an electronic device showing our new design;

FIG. 2 is a front elevation view thereof;

FIG. 3 is a rear elevation view thereof;

FIG. 4 is a left side elevation view thereof;

FIG. 5 is a right side elevation view thereof;

FIG. 6 is a top plan view thereof;

FIG. 7 is a bottom plan view thereof;

FIG. 8 is an enlarged view of the encircled portion in FIG. 1;

FIG. 9 is an enlarged view of the encircled portion in FIG. 1; and,

FIG. 10 is an enlarged view of the encircled portion in FIG. 3.

The short dash-dash broken lines in the figures illustrate portions of the electronic device that form no part of the claimed design. The dot-dot-dash broken lines encircling portions of the claimed design that are illustrated in enlargements form no part of the claimed design.

(Continued)

(51) **LOC (13) Cl.** **14-02**

(52) **U.S. Cl.**
USPC **D14/345**

(58) **Field of Classification Search**
USPC D14/341, 342, 343, 344, 345, 346, 347

(Continued)

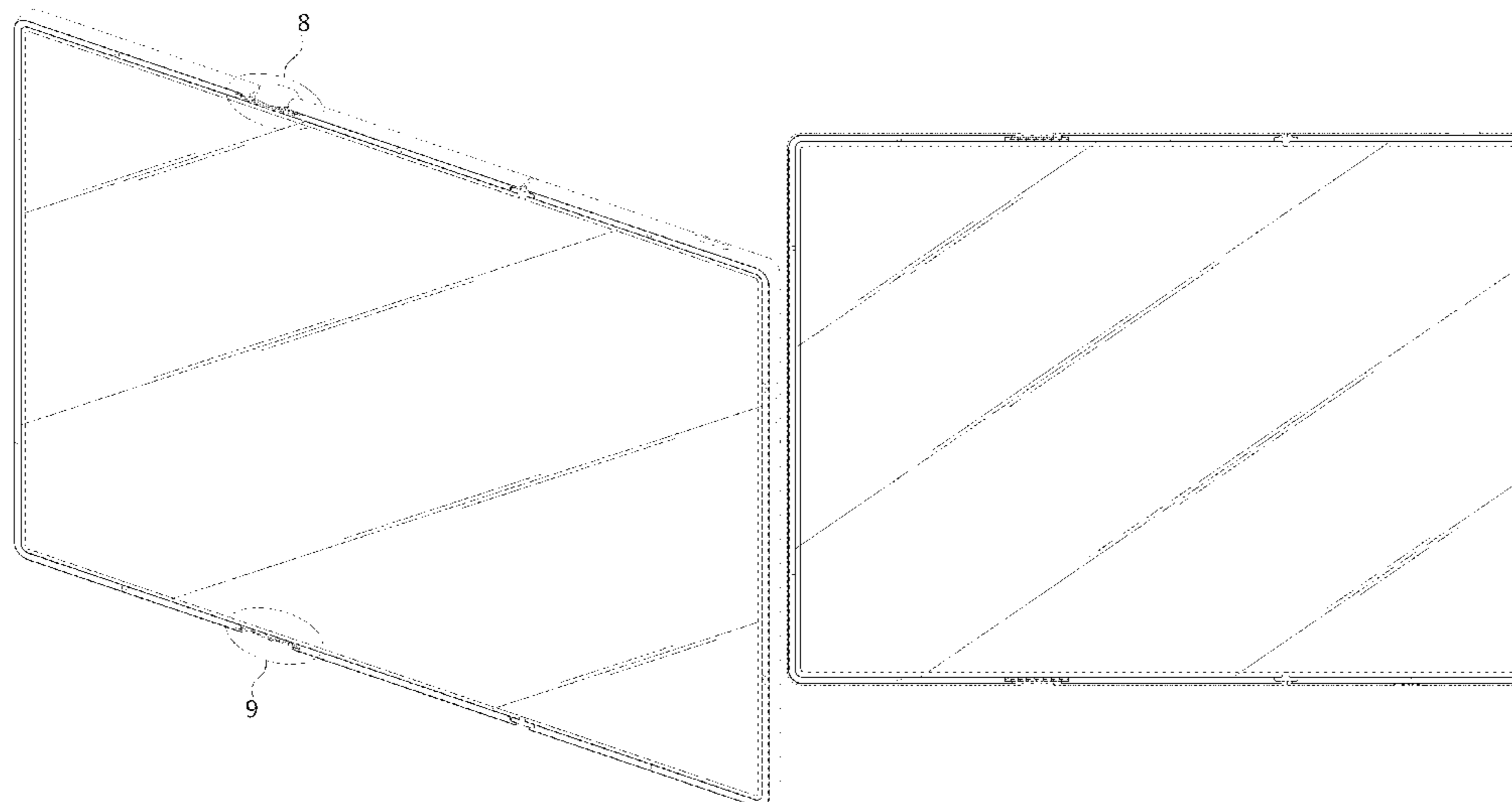
(56) **References Cited**

U.S. PATENT DOCUMENTS

D356,120 S * 3/1995 Allen D3/249
D385,299 S * 10/1997 Adams D14/342

(Continued)

1 Claim, 10 Drawing Sheets



(30) Foreign Application Priority Data

Jun. 30, 2020 (KR) 30-2020-0029827
 Jun. 30, 2020 (KR) 30-2020-0029828
 Jun. 30, 2020 (KR) 30-2020-0029829
 Jun. 30, 2020 (KR) 30-2020-0029830
 Jun. 30, 2020 (KR) 30-2020-0029831
 Jun. 30, 2020 (KR) 30-2020-0029832
 Jun. 30, 2020 (KR) 30-2020-0029842
 Jun. 30, 2020 (KR) 30-2020-0029843
 Jun. 30, 2020 (KR) 30-2020-0029844
 Jun. 30, 2020 (KR) 30-2020-0029858

(58) Field of Classification Search

CPC .. H04M 1/027; H04M 1/0202; H04M 1/0279;
 H04M 1/0235; H04M 1/0237; H04M
 1/0239; H04M 1/0266; H04M 1/0268;
 H04M 1/0295; G06F 1/1641; G06F
 1/1647; G06F 1/1652

See application file for complete search history.

(56) References Cited

U.S. PATENT DOCUMENTS

D509,247 S * 9/2005 Nash B43L 1/00
 D19/113
 D669,467 S * 10/2012 Ballout D14/336

D719,542 S * 12/2014 Lee D14/345
 D741,856 S * 10/2015 Yamazaki D14/341
 D745,006 S * 12/2015 Hirakata D14/341
 D745,516 S * 12/2015 Yamazaki D14/341
 D749,576 S * 2/2016 Park D14/203.4
 D761,254 S * 7/2016 Yamazaki D14/341
 D768,624 S * 10/2016 Bae D14/374
 D769,209 S * 10/2016 Byun D14/138 AB
 D778,253 S * 2/2017 Kwak D14/345
 D779,468 S * 2/2017 Kwak D14/248
 D790,537 S * 6/2017 Bae D14/341
 9,720,455 B2 * 8/2017 Jang G06F 1/1679
 D829,680 S * 10/2018 Han G06F 1/1616
 D14/138 AB
 D833,431 S * 11/2018 Bae D14/345
 D883,943 S * 5/2020 Oh D14/138 AB
 D910,619 S * 2/2021 Lim D14/341
 D910,620 S * 2/2021 Lee D14/341
 D910,622 S * 2/2021 Lee D14/341
 D913,282 S * 3/2021 Song D14/371
 D922,974 S * 6/2021 Bae D14/345
 D926,183 S * 7/2021 Lim D14/341
 D934,855 S * 11/2021 Hallar D14/315
 2010/0064244 A1 * 3/2010 Kilpatrick, II H04M 1/0243
 345/1.3
 2013/0329394 A1 * 12/2013 Nonaka H05K 7/14
 361/679.01
 2016/0109908 A1 * 4/2016 Siddiqui G06F 1/1652
 16/225
 2021/0096596 A1 * 4/2021 Cheng G06F 1/1681
 * cited by examiner

FIG. 1

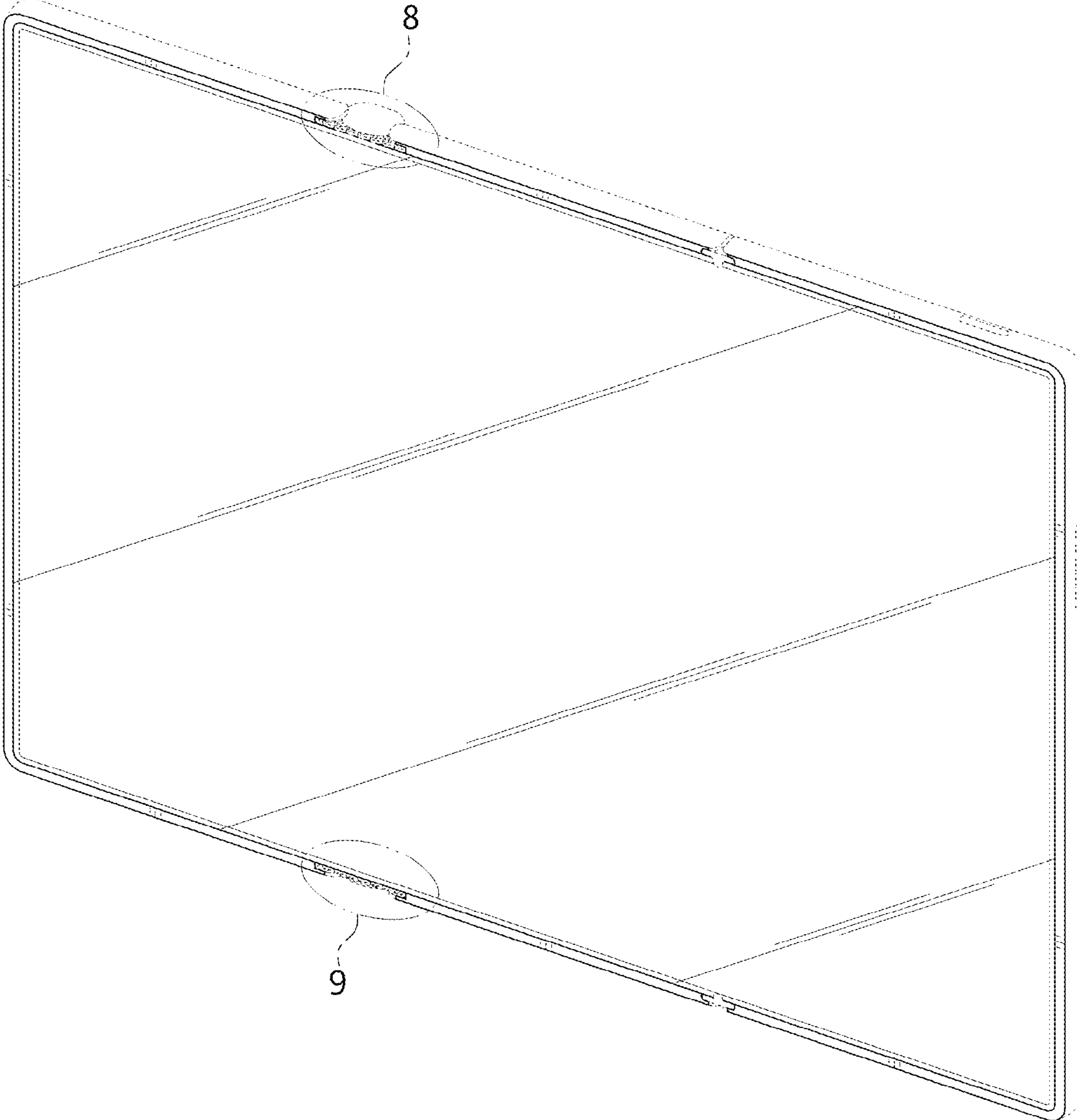


FIG. 2

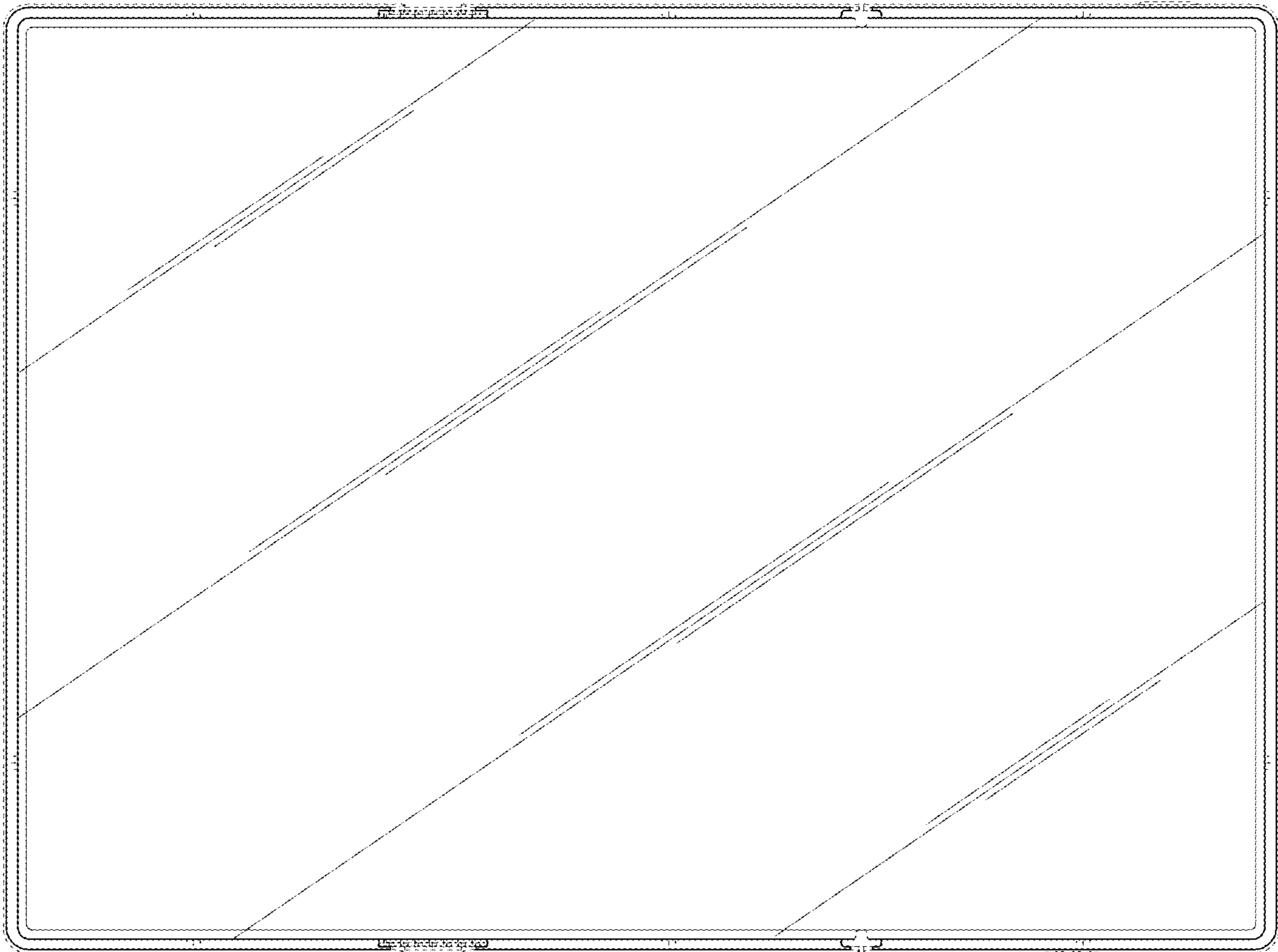


FIG. 3

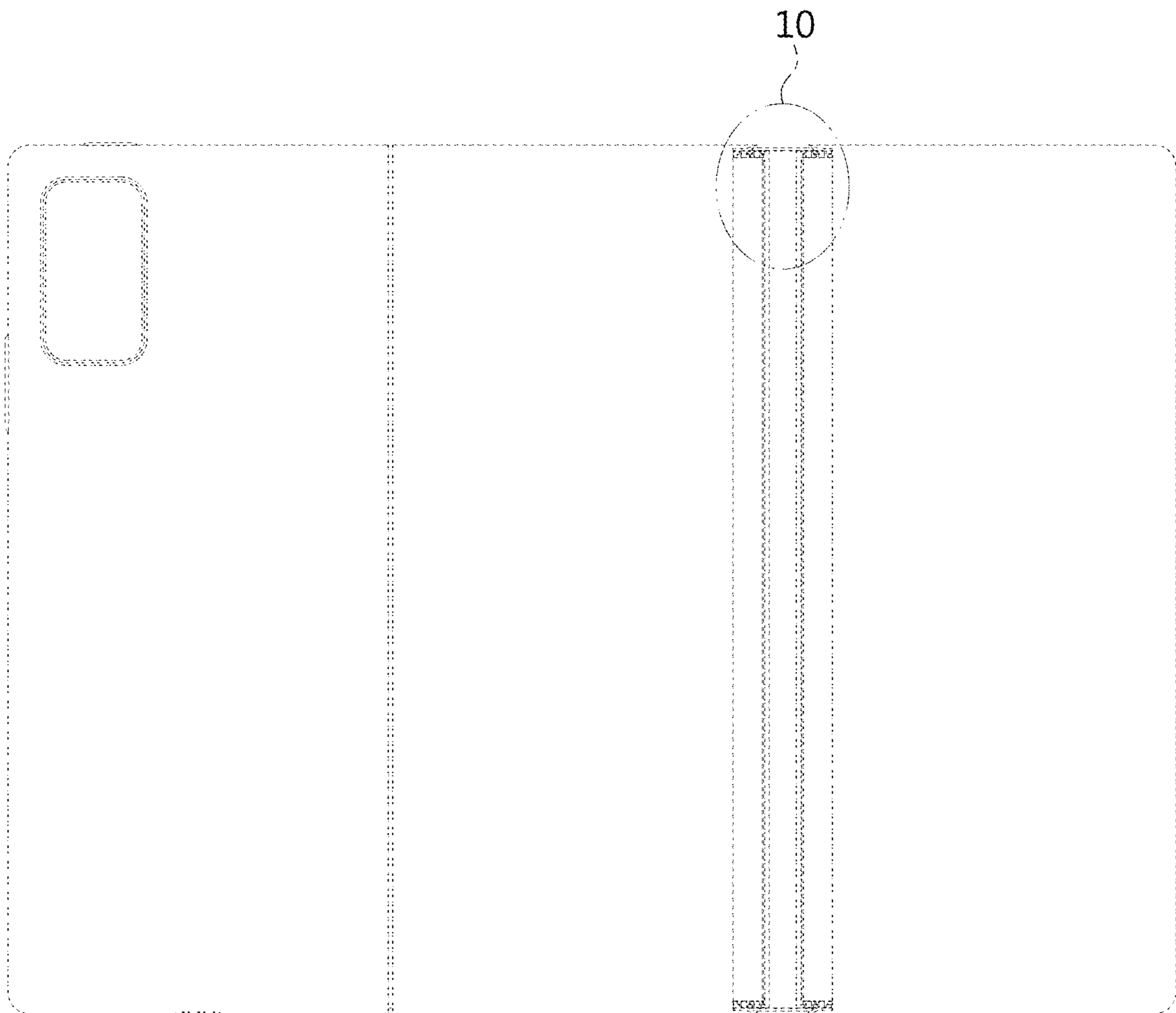


FIG. 4

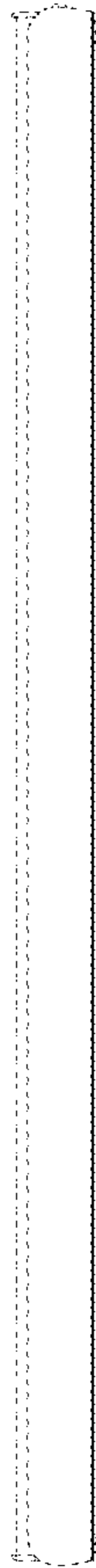


FIG. 5

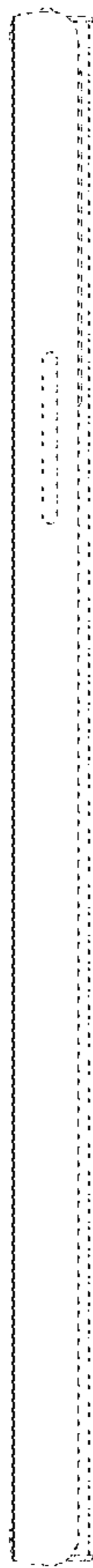


FIG. 6

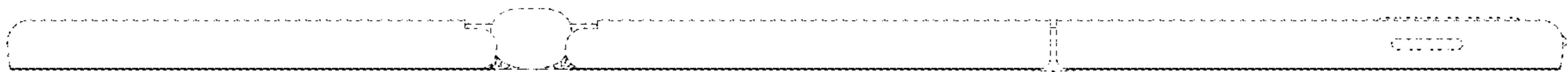


FIG. 7

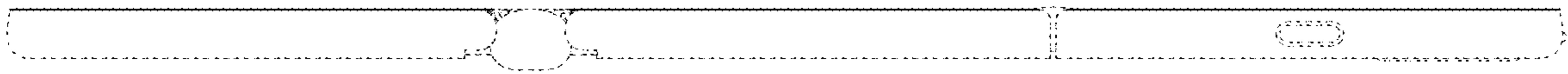


FIG. 8

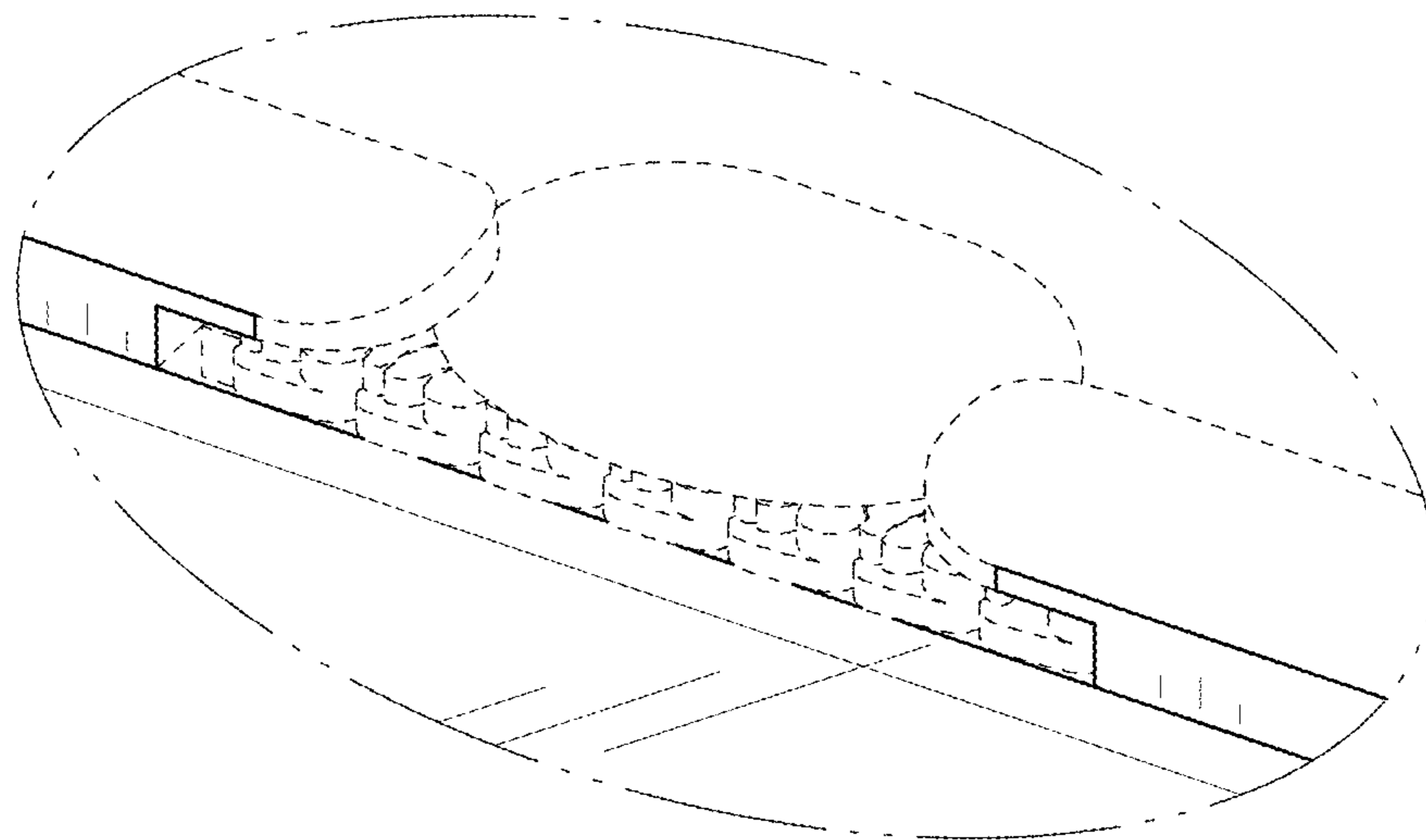


FIG. 9

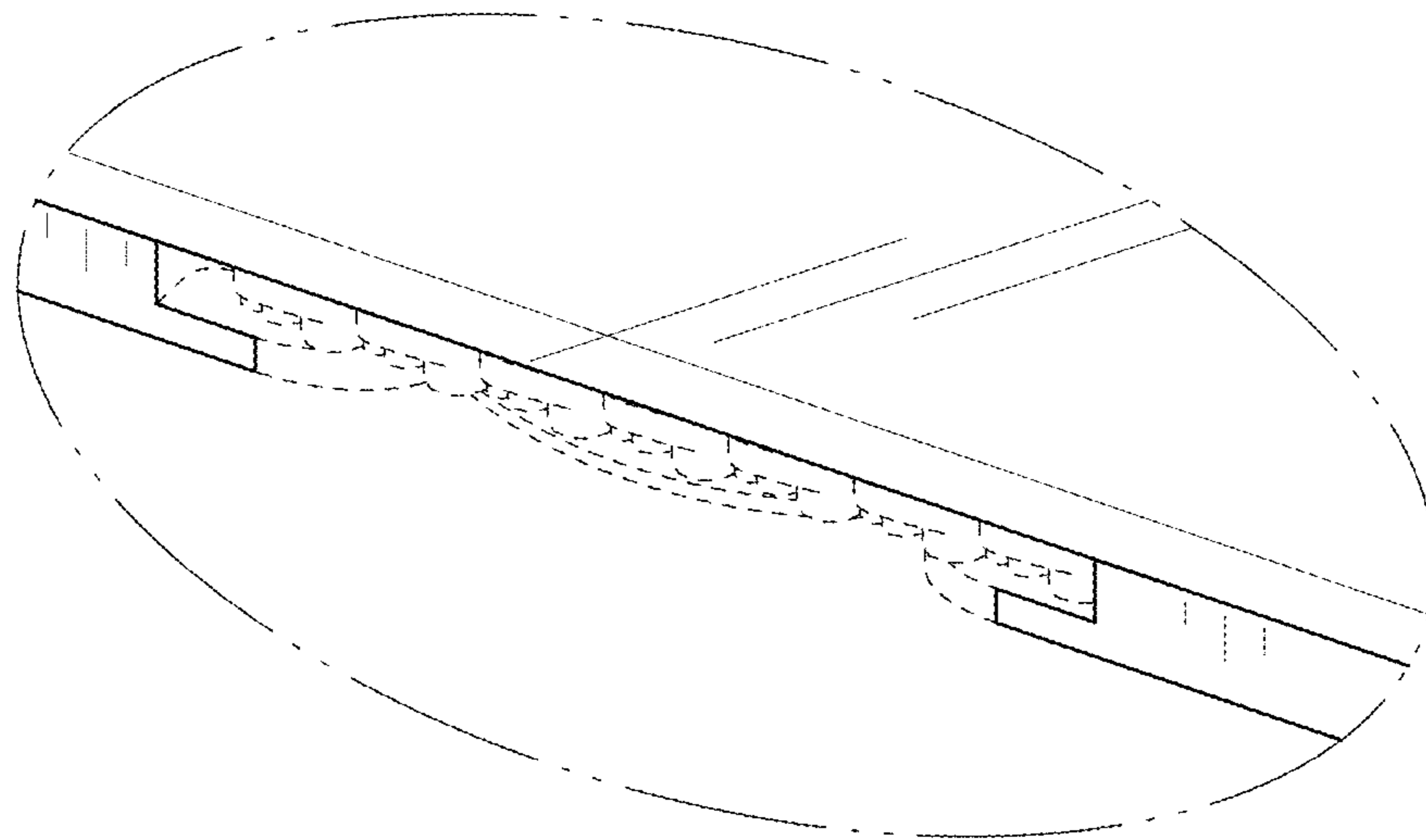


FIG. 10

