



US00D964356S

(12) **United States Design Patent** (10) **Patent No.:** **US D964,356 S**
Lee (45) **Date of Patent:** **** Sep. 20, 2022**

(54) **ELECTRONIC DEVICE**

(71) Applicant: **Samsung Electronics Co., Ltd.**,
Suwon-si (KR)

(72) Inventor: **Sang-Chul Lee**, Suwon-si (KR)

(73) Assignee: **SAMSUNG ELECTRONICS CO., LTD.**,
Suwon-si (KR)

(**) Term: **15 Years**

(21) Appl. No.: **29/736,521**

(22) Filed: **Jun. 1, 2020**

(30) **Foreign Application Priority Data**

Dec. 6, 2019 (KR) 30-2019-0059073

(51) **LOC (13) Cl.** **14-02**

(52) **U.S. Cl.**
USPC **D14/345**

(58) **Field of Classification Search**
USPC D14/341, 342, 343, 344, 345, 346, 347
(Continued)

(56) **References Cited**

U.S. PATENT DOCUMENTS

D356,120 S * 3/1995 Allen D3/249
D385,299 S * 10/1997 Adams D14/342
(Continued)

FOREIGN PATENT DOCUMENTS

CN 304477203 * 1/2018
CN 304848554 10/2018
(Continued)

OTHER PUBLICATIONS

Flex In & Out, first available Sep. 1, 2021 [online], [retrieved May 2, 2022]. Available from the Internet, URL: <https://www.phonearena.com/news/Samsung-unveils-triple-folding-display-prototype-fled-in-and-out_id134713>. (Year: 2021).*

com/news/Samsung-unveils-triple-folding-display-prototype-fled-in-and-out_id134713>. (Year: 2021).*

Primary Examiner — Tracey J Bell

Assistant Examiner — Russell Carnell Smith, Jr.

(74) *Attorney, Agent, or Firm* — McAndrews, Held & Malloy, Ltd.

(57) **CLAIM**

The ornamental design for an electronic device, as shown and described.

DESCRIPTION

FIG. 1 is a front perspective view of an electronic device showing my new design;

FIG. 2 is a front elevation view thereof;

FIG. 3 is a rear elevation view thereof;

FIG. 4 is a left side elevation view thereof;

FIG. 5 is a right side elevation view thereof;

FIG. 6 is a top plan view thereof;

FIG. 7 is a bottom plan view thereof;

FIG. 8 is a rear perspective view thereof;

FIG. 9 is an enlarged view of the delineated portion 9 in FIG. 1;

FIG. 10 is an enlarged view of the delineated portion 10 in FIG. 2;

FIG. 11 is an enlarged view of the delineated portion 11 in FIG. 6;

FIG. 12 is an enlarged view of the delineated portion 12 in FIG. 6;

FIG. 13 is an enlarged view of the delineated portion 13 in FIG. 8;

FIG. 14 is an enlarged view of the delineated portion 14 in FIG. 8;

FIG. 15 is a front perspective view of the electronic device of FIG. 1 showing my new design in an alternate position;

FIG. 16 is a front elevation view thereof;

FIG. 17 is a rear elevation view thereof;

FIG. 18 is a left side elevation view thereof;

FIG. 19 is a right side elevation view thereof;

FIG. 20 is a top plan view thereof;

FIG. 21 is a bottom plan view thereof;

(Continued)

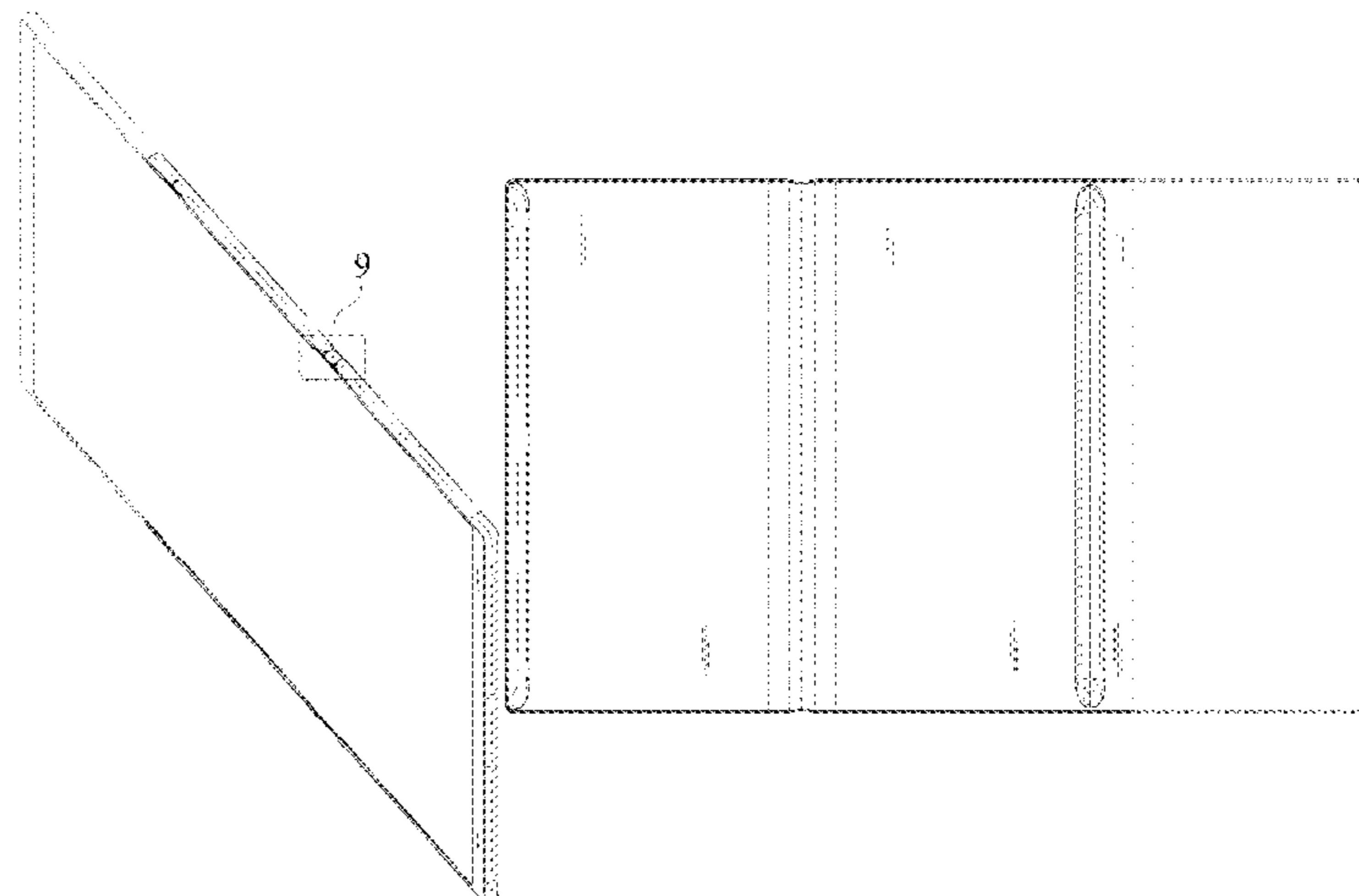


FIG. 22 is a rear perspective view thereof;
 FIG. 23 is an enlarged view of the delineated portion 23 in FIG. 15;
 FIG. 24 is an enlarged view of the delineated portion 24 in FIG. 16;
 FIG. 25 is an enlarged view of the delineated portion 25 in FIG. 17;
 FIG. 26 is an enlarged view of the delineated portion 26 in FIG. 18;
 FIG. 27 is an enlarged view of the delineated portion 27 in FIG. 19;
 FIG. 28 is an enlarged view of the delineated portion 28 in FIG. 20;
 FIG. 29 is an enlarged view of the delineated portion 29 in FIG. 20;
 FIG. 30 is an enlarged view of the delineated portion 30 in FIG. 22;
 FIG. 31 is an enlarged view of the delineated portion 31 in FIG. 22;
 FIG. 32 is a front perspective view of the electronic device of FIG. 1 showing my new design in an alternate position;
 FIG. 33 is a front elevation view thereof;
 FIG. 34 is a rear elevation view thereof;
 FIG. 35 is a left side elevation view thereof;
 FIG. 36 is a right side elevation view thereof;
 FIG. 37 is a top plan view thereof;
 FIG. 38 is a bottom plan view thereof;
 FIG. 39 is a rear perspective view thereof;
 FIG. 40 is an enlarged view of the delineated portion 40 in FIG. 32;
 FIG. 41 is an enlarged view of the delineated portion 41 in FIG. 33;
 FIG. 42 is an enlarged view of the delineated portion 42 in FIG. 34;
 FIG. 43 is an enlarged view of the delineated portion 43 in FIG. 35;
 FIG. 44 is an enlarged view of the delineated portion 44 in FIG. 36;
 FIG. 45 is an enlarged view of the delineated portion 45 in FIG. 37;
 FIG. 46 is an enlarged view of the delineated portion 46 in FIG. 37;
 FIG. 47 is an enlarged view of the delineated portion 47 in FIG. 39; and,
 FIG. 48 is an enlarged view of the delineated portion 48 in FIG. 39.

The dashed broken lines in the figures illustrate portions of the electronic device that form no part of the claimed design. The dot-dash broken lines in the figures define the boundaries of the claimed design and form no part thereof. The dot-dot-dashed broken lines in the figures delineating por-

tions of the claimed design that are shown in enlargements form no part of the claimed design.

1 Claim, 48 Drawing Sheets

(58) **Field of Classification Search**

CPC .. H04M 1/027; H04M 1/0202; H04M 1/0279;
 H04M 1/0235; H04M 1/0237; H04M
 1/0239; H04M 1/0266; H04M 1/0268;
 H04M 1/0295; G06F 1/1641; G06F
 1/1647; G06F 1/1652

See application file for complete search history.

(56) **References Cited**

U.S. PATENT DOCUMENTS

| | | | | | |
|--------------|----|---|---------|----------------------|---------------------------|
| D509,247 | S | * | 9/2005 | Nash | B43L 1/00 D19/113 |
| D669,467 | S | * | 10/2012 | Ballout | D14/336 |
| D719,542 | S | * | 12/2014 | Lee | D14/345 |
| D741,856 | S | * | 10/2015 | Yamazaki | D14/341 |
| D745,006 | S | * | 12/2015 | Hirakata | D14/341 |
| D745,516 | S | * | 12/2015 | Yamazaki | D14/341 |
| D749,576 | S | * | 2/2016 | Park | D14/203.4 |
| D761,254 | S | * | 7/2016 | Yamazaki | D14/341 |
| D768,624 | S | * | 10/2016 | Bae | D14/374 |
| D769,209 | S | * | 10/2016 | Byun | D14/138 AB |
| D778,253 | S | * | 2/2017 | Kwak | D14/345 |
| D779,468 | S | * | 2/2017 | Kwak | D14/248 |
| D790,537 | S | * | 6/2017 | Bae | D14/341 |
| 9,720,455 | B2 | * | 8/2017 | Jang | G06F 1/1679 |
| D829,680 | S | * | 10/2018 | Han | G06F 1/1616 D14/138 AB |
| D829,681 | S | | 10/2018 | Han et al. | |
| D833,431 | S | * | 11/2018 | Bae | D14/345 |
| D883,943 | S | * | 5/2020 | Oh | D14/138 AB |
| D910,619 | S | * | 2/2021 | Lim | D14/341 |
| D910,620 | S | * | 2/2021 | Lee | D14/341 |
| D910,622 | S | * | 2/2021 | Lee | D14/341 |
| D913,282 | S | * | 3/2021 | Song | D14/371 |
| D922,974 | S | * | 6/2021 | Bae | D14/345 |
| D926,183 | S | * | 7/2021 | Lim | D14/341 |
| D934,855 | S | * | 11/2021 | Hallar | D14/315 |
| 2010/0064244 | A1 | * | 3/2010 | Kilpatrick, II | H04M 1/0243 345/1.3 |
| 2013/0329394 | A1 | * | 12/2013 | Nonaka | H05K 7/14 361/679.01 |
| 2016/0109908 | A1 | * | 4/2016 | Siddiqui | G06F 1/1652 16/225 |
| 2021/0096596 | A1 | * | 4/2021 | Cheng | G06F 1/1681 |

FOREIGN PATENT DOCUMENTS

| | | | |
|----|-----------|---|---------|
| CN | 305307460 | * | 8/2019 |
| CN | 305465480 | | 11/2019 |
| CN | 305465481 | | 11/2019 |
| KR | 301005155 | | 5/2019 |

* cited by examiner

FIG. 1

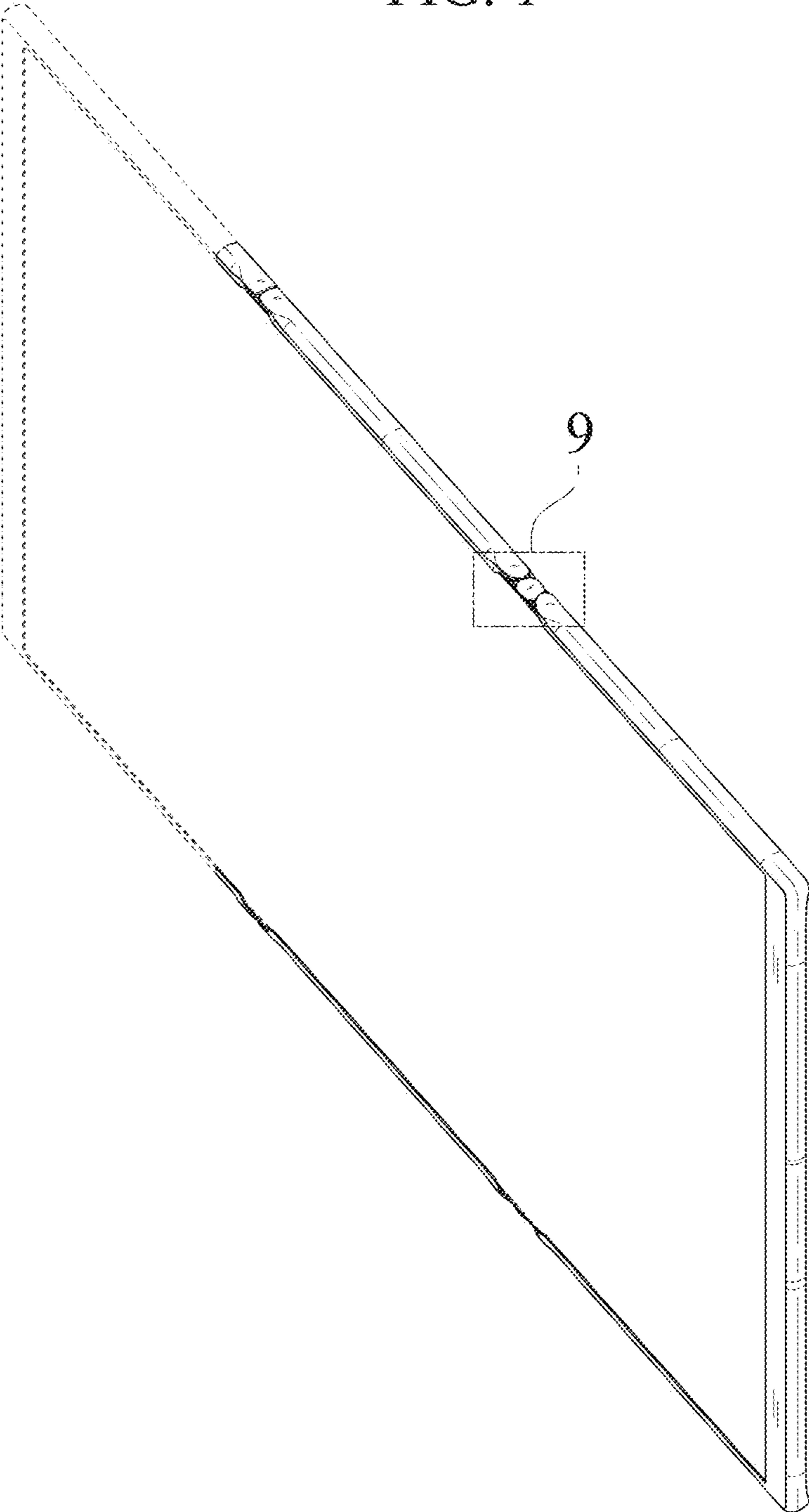


FIG. 2

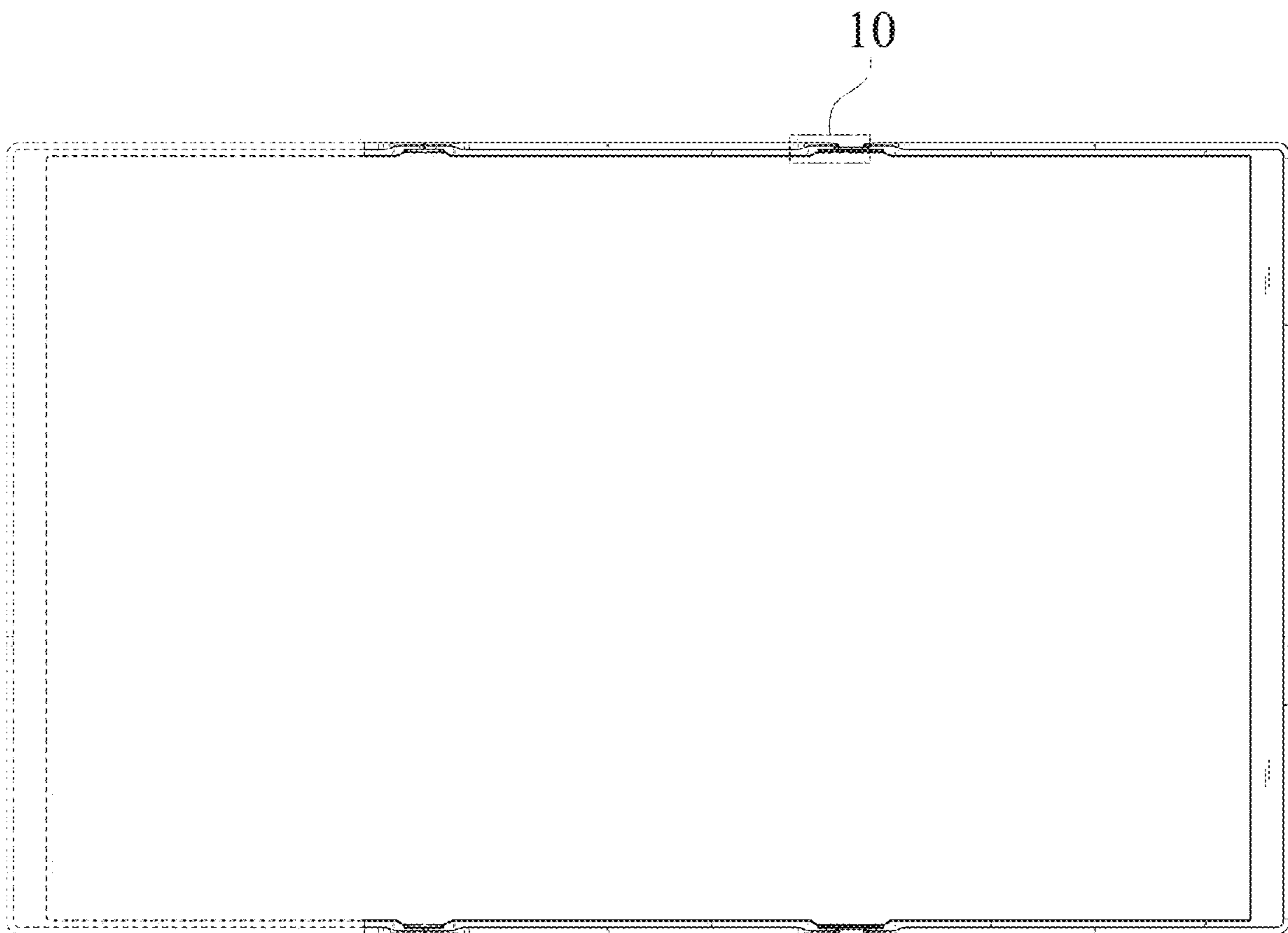


FIG. 3

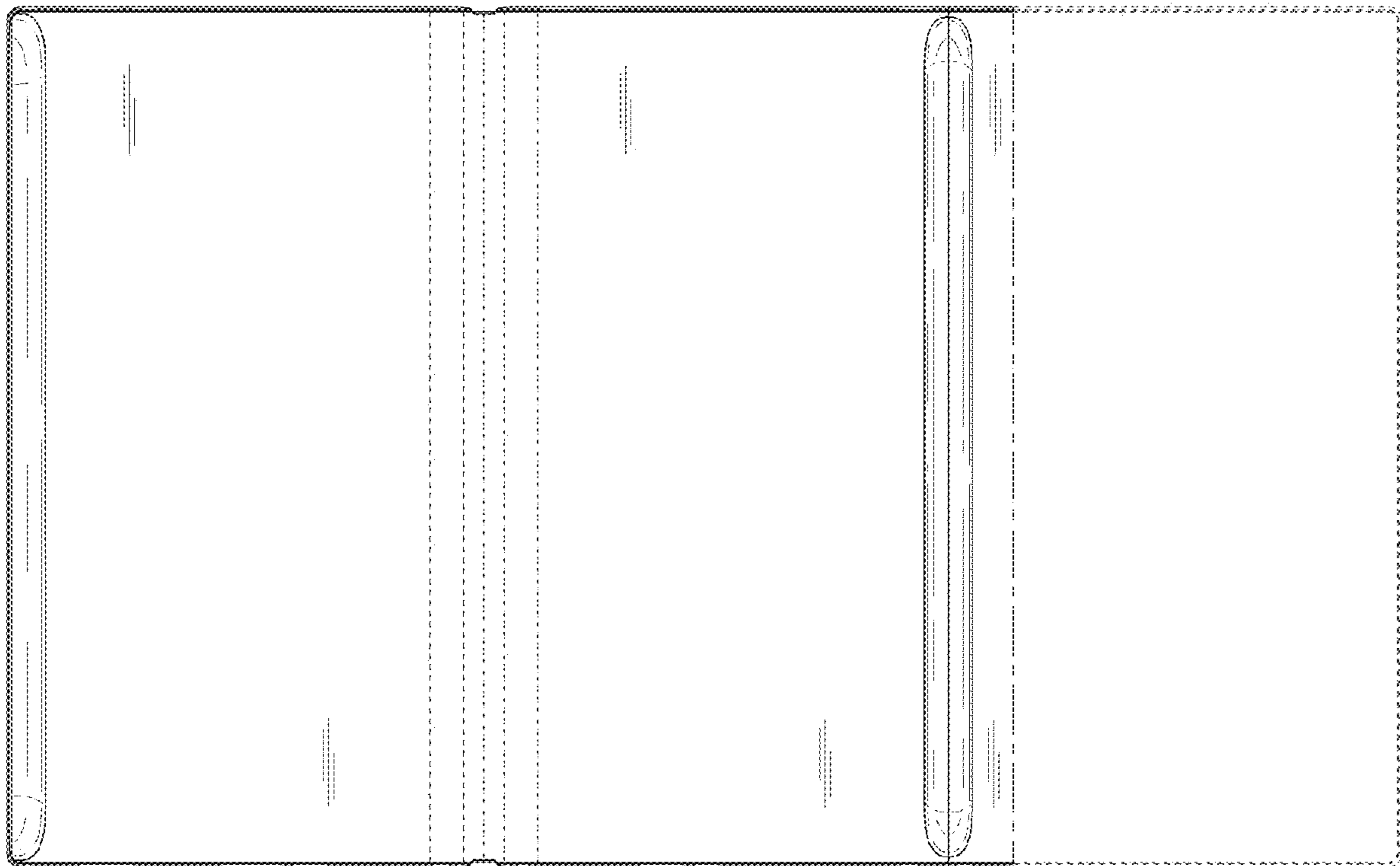


FIG. 4

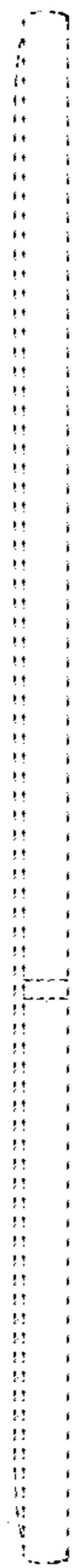


FIG. 5



FIG. 6

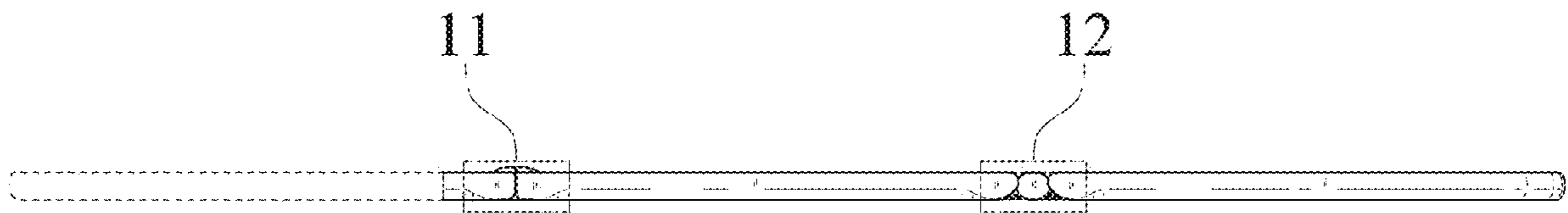


FIG. 7

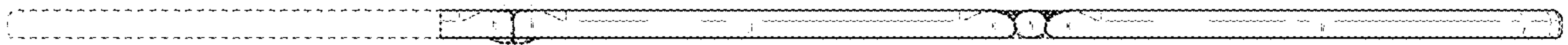


FIG. 8

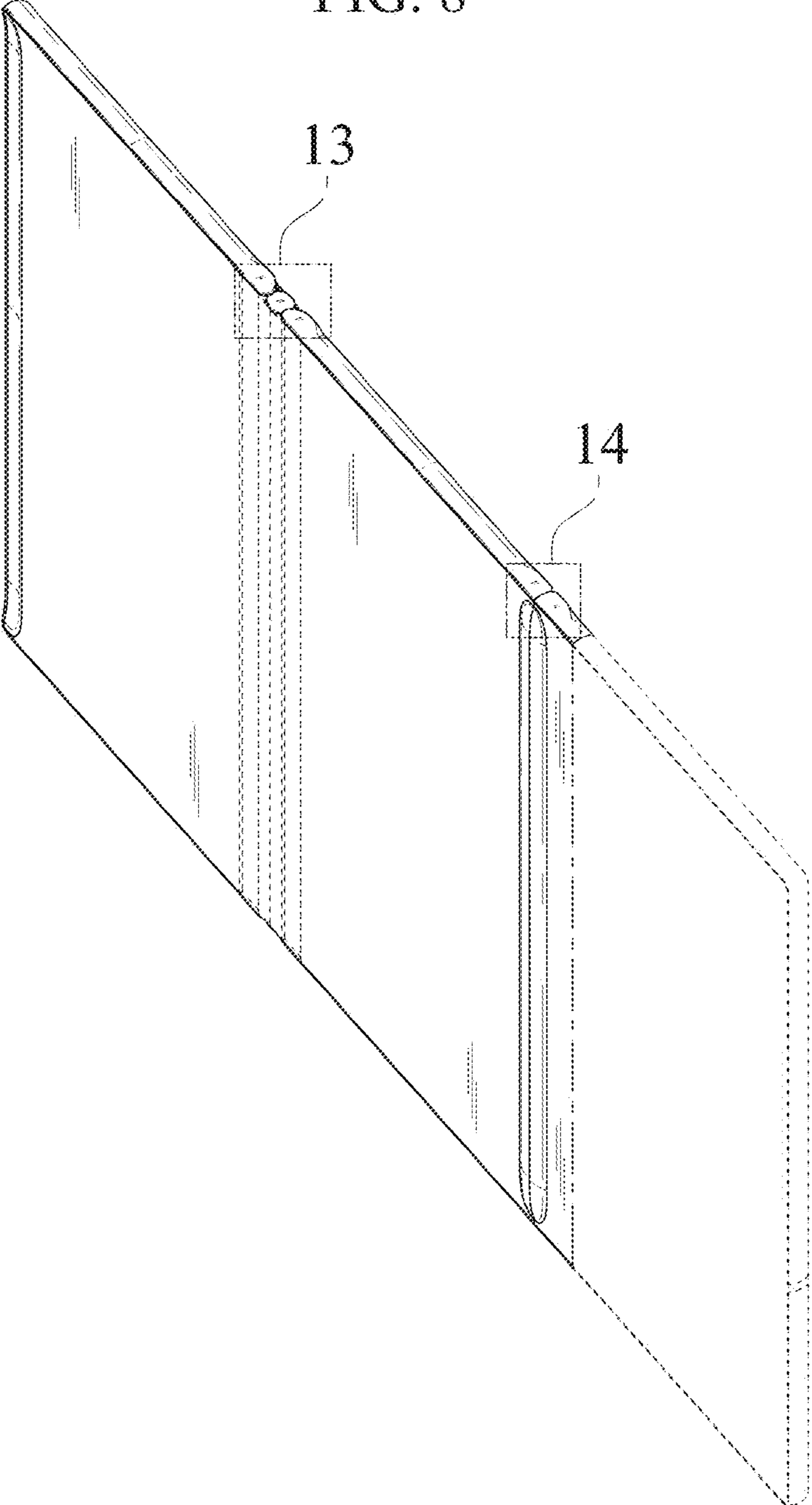


FIG. 9

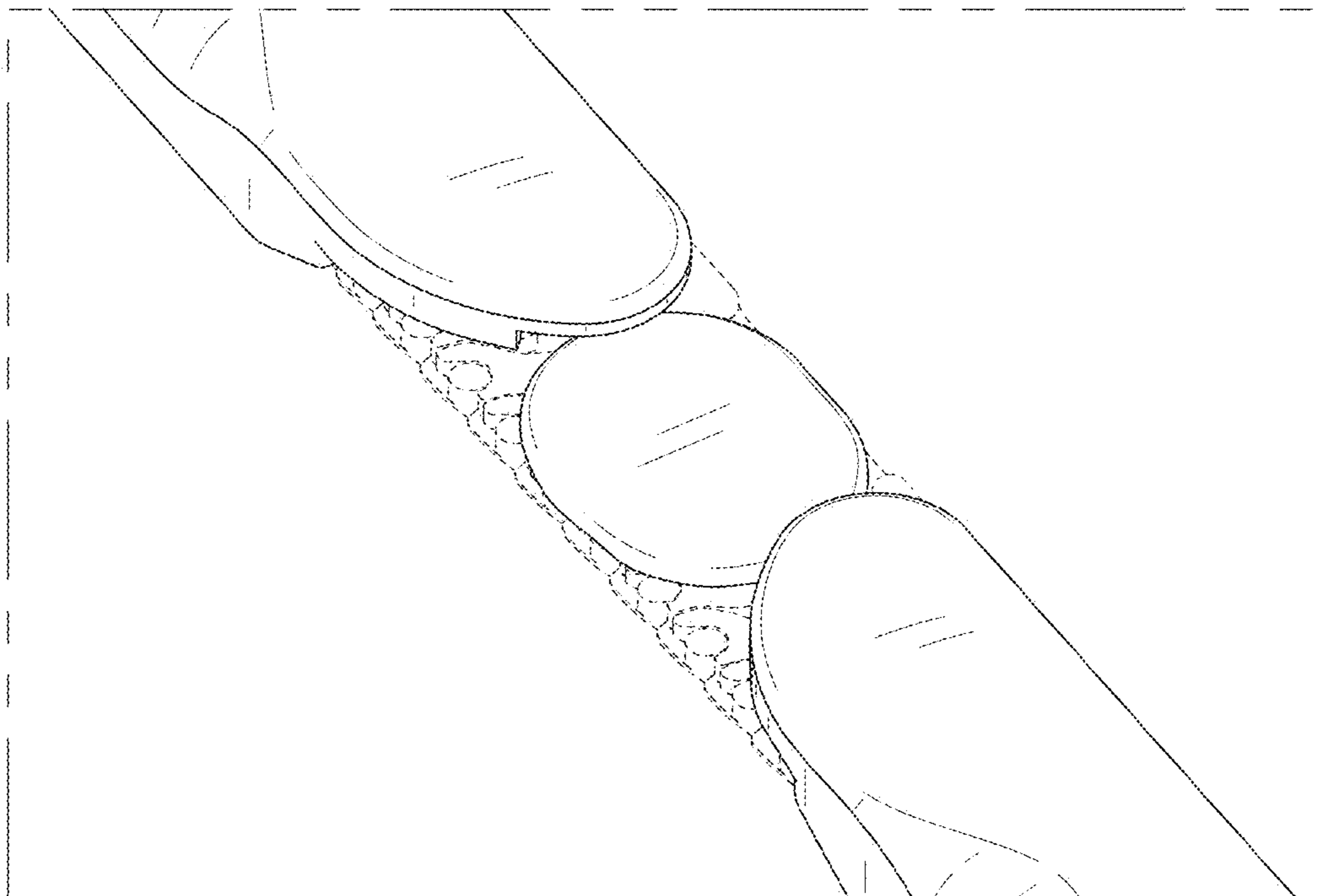


FIG. 10

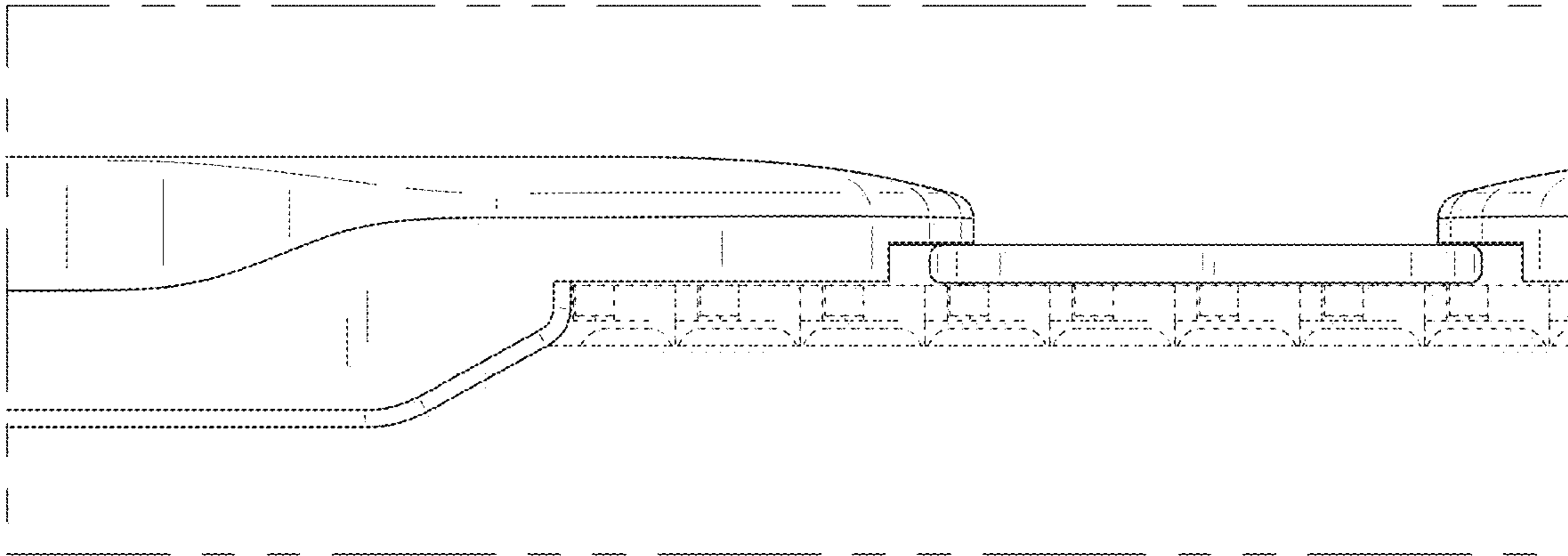


FIG. 11

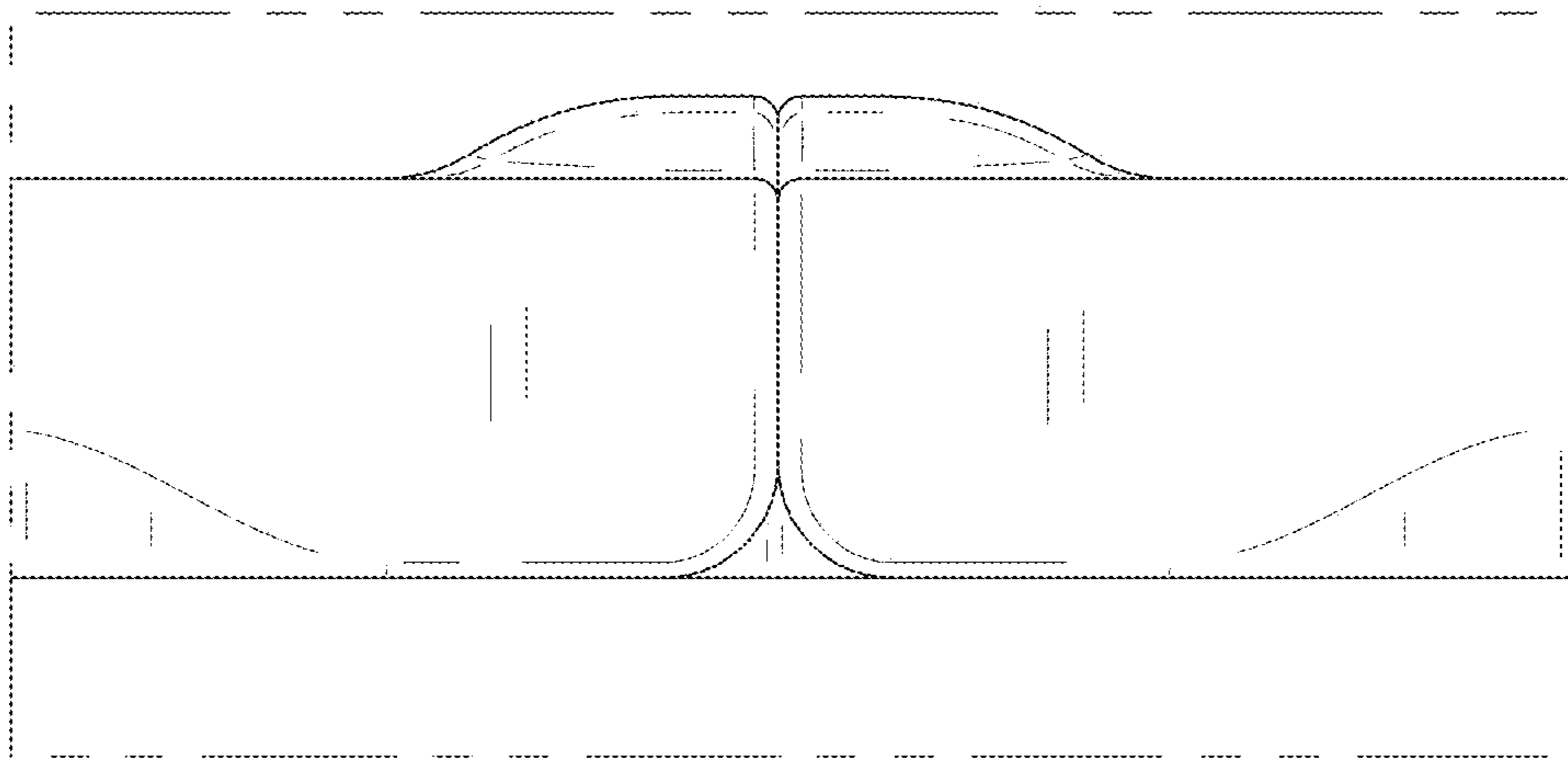


FIG. 12

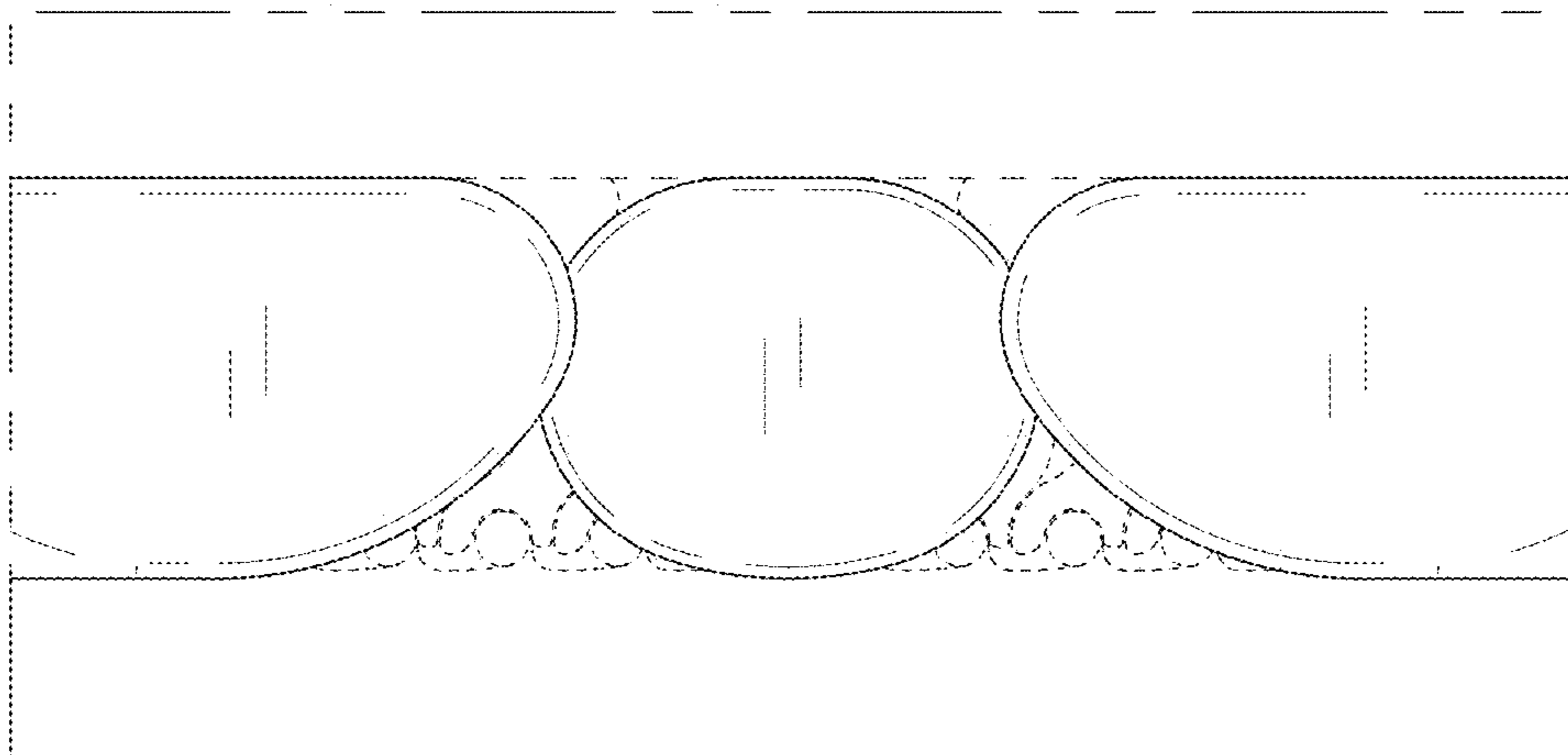


FIG. 13

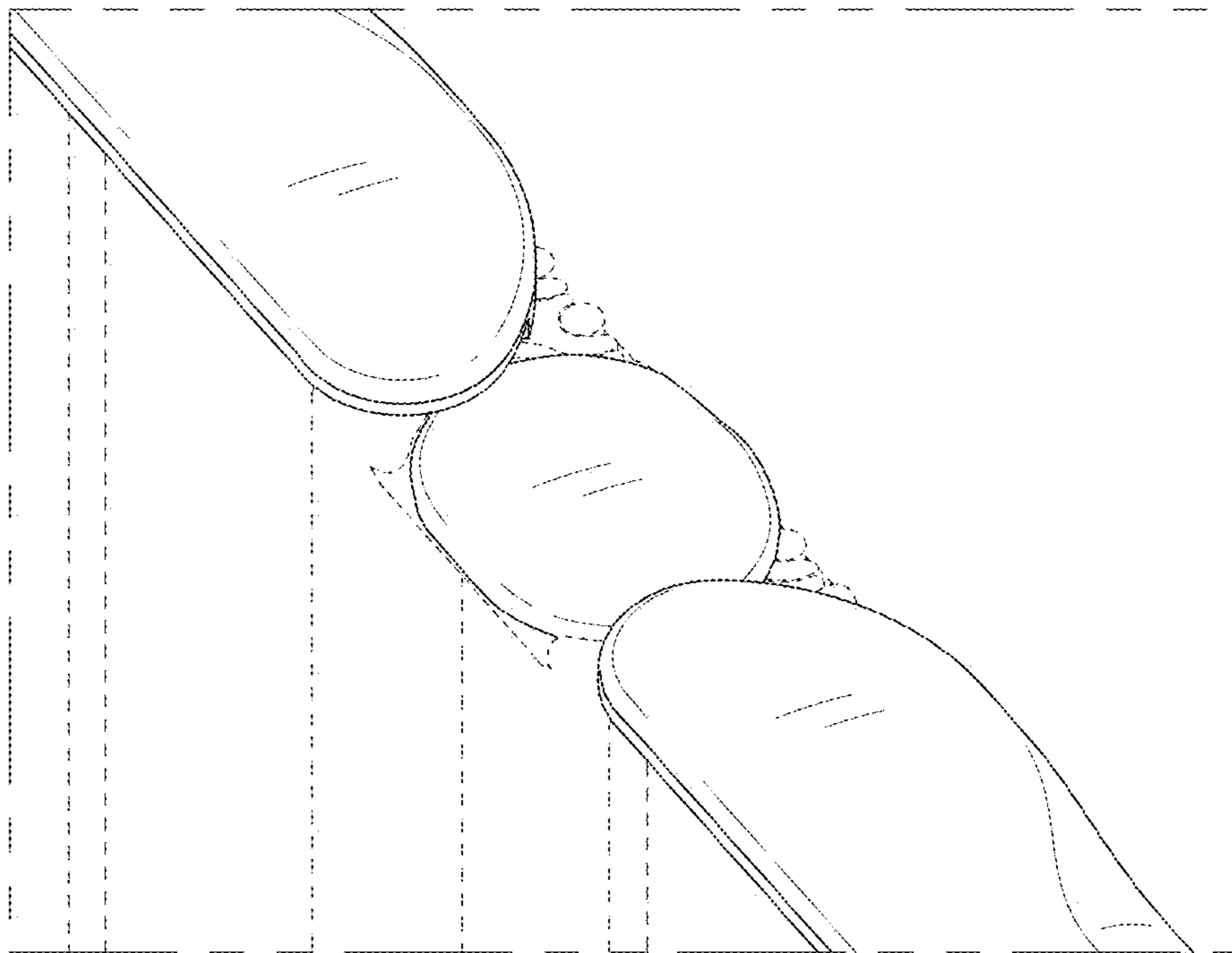


FIG. 14

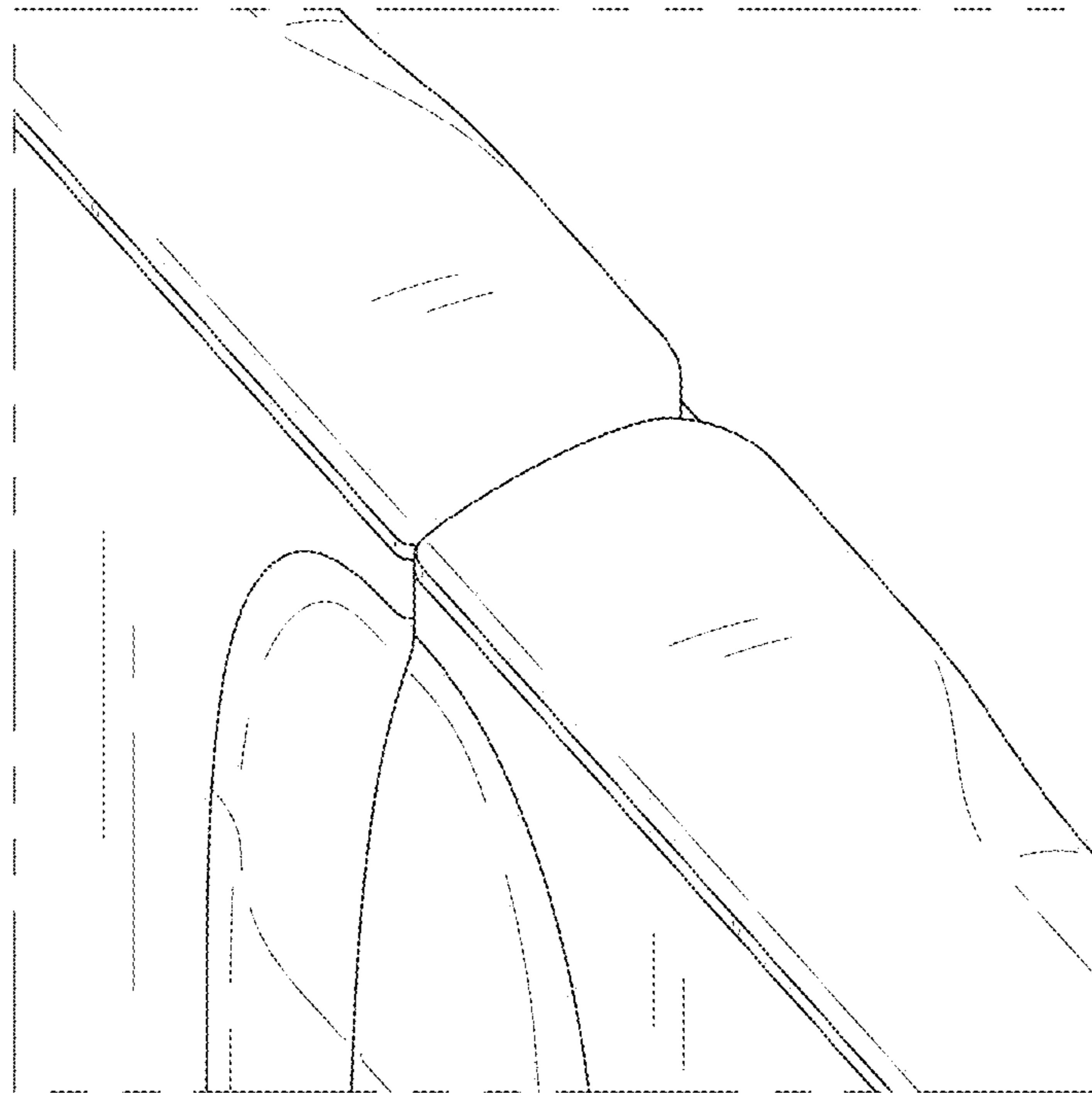


FIG. 15

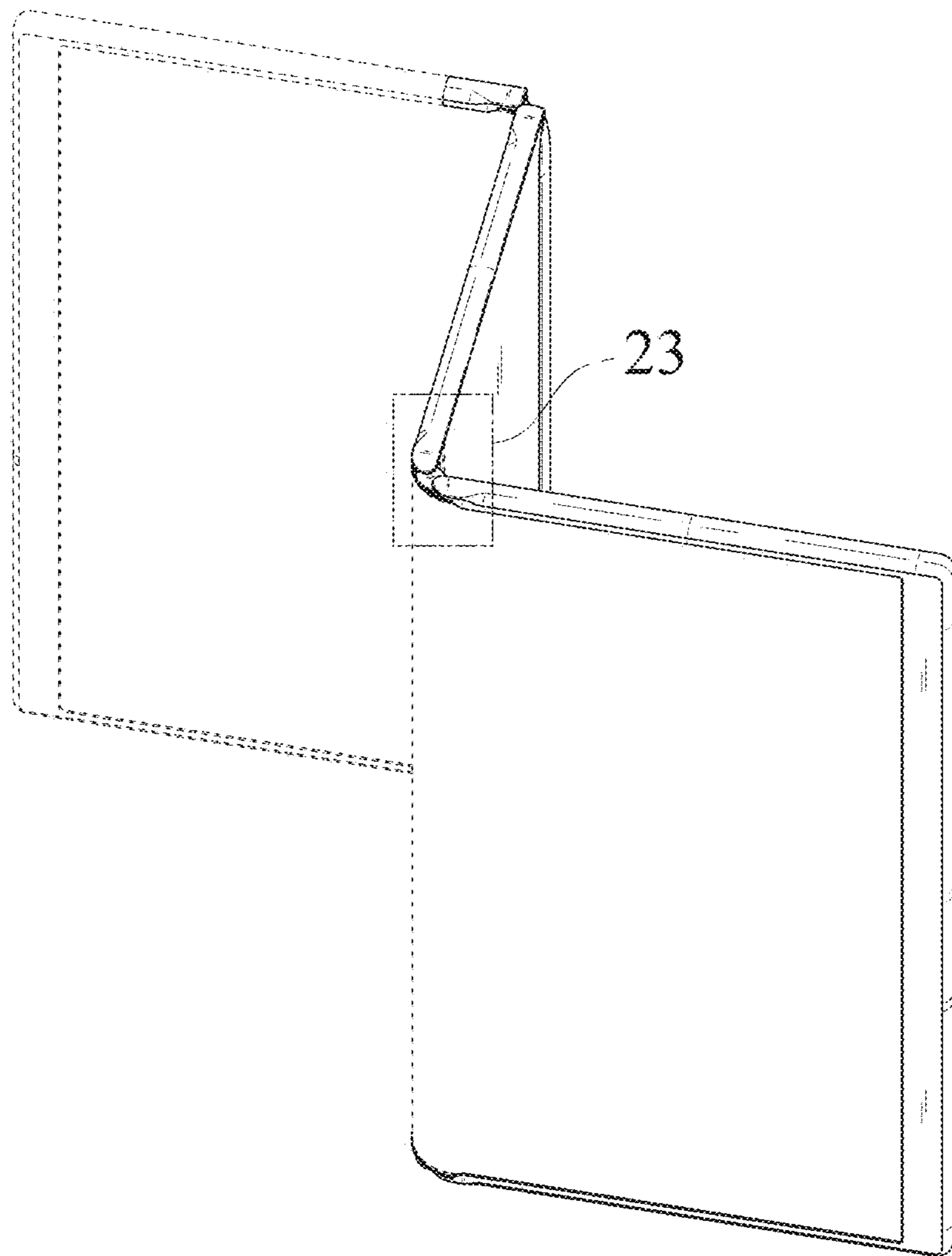


FIG. 16

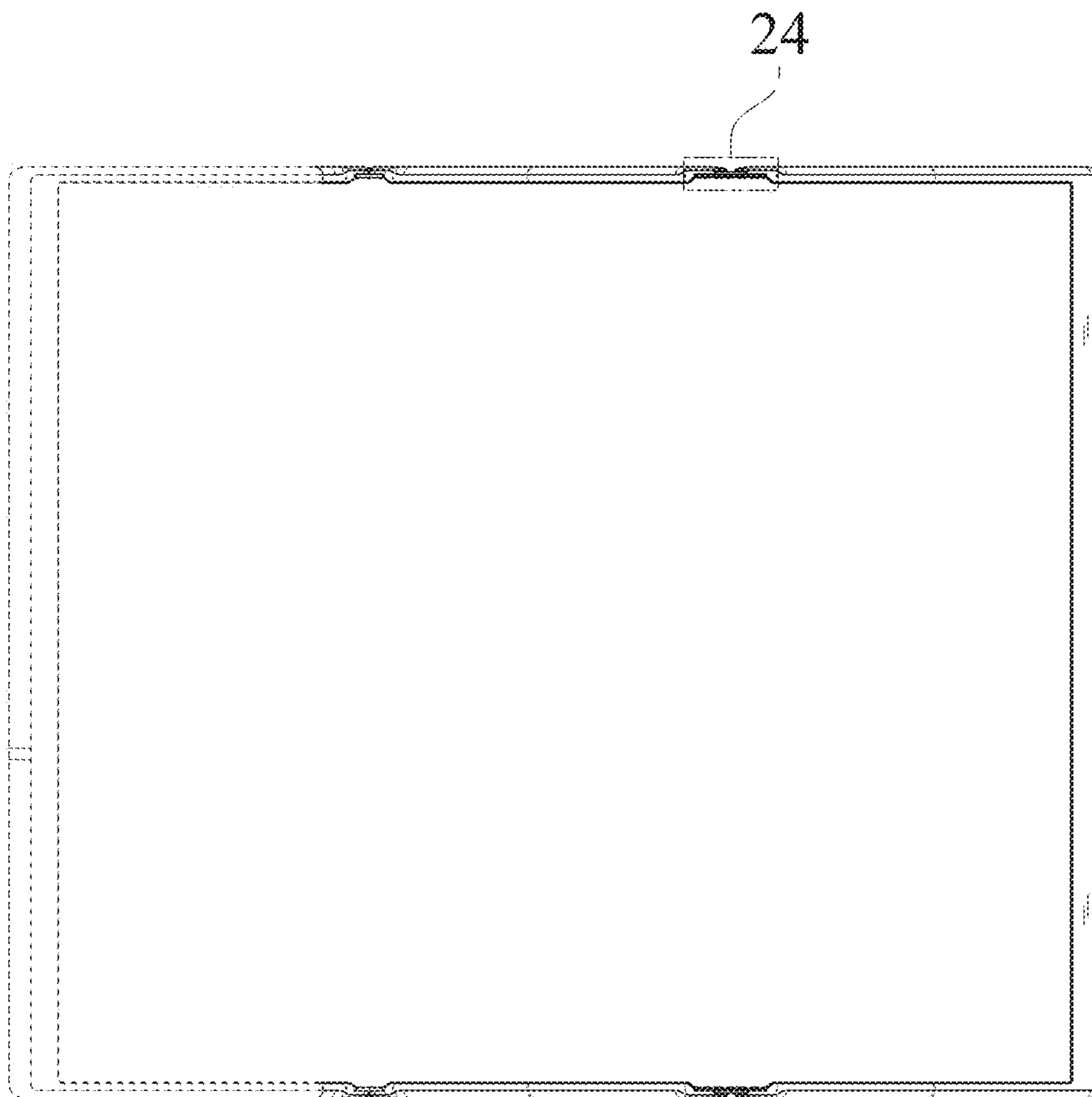


FIG. 17

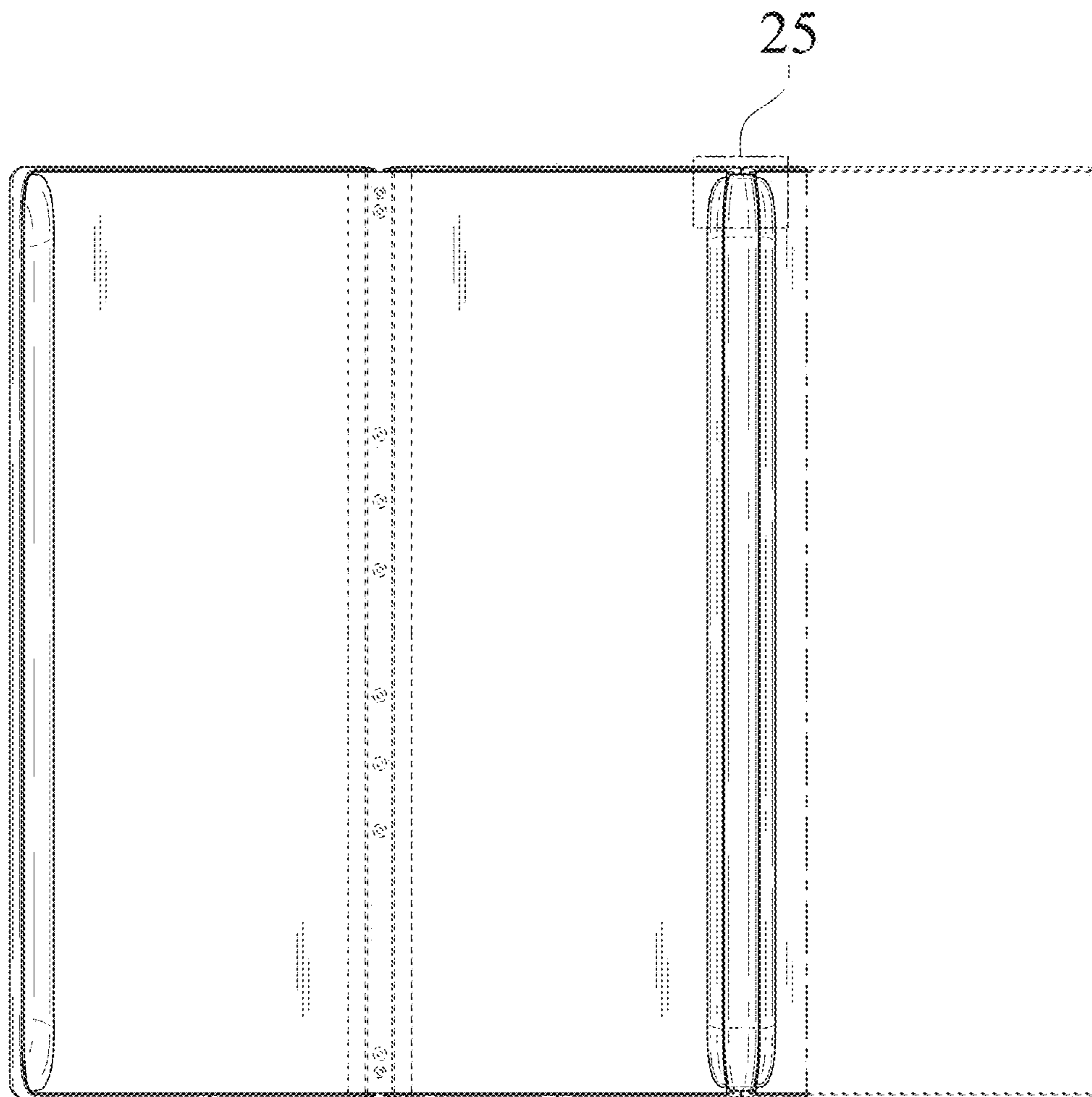


FIG. 18

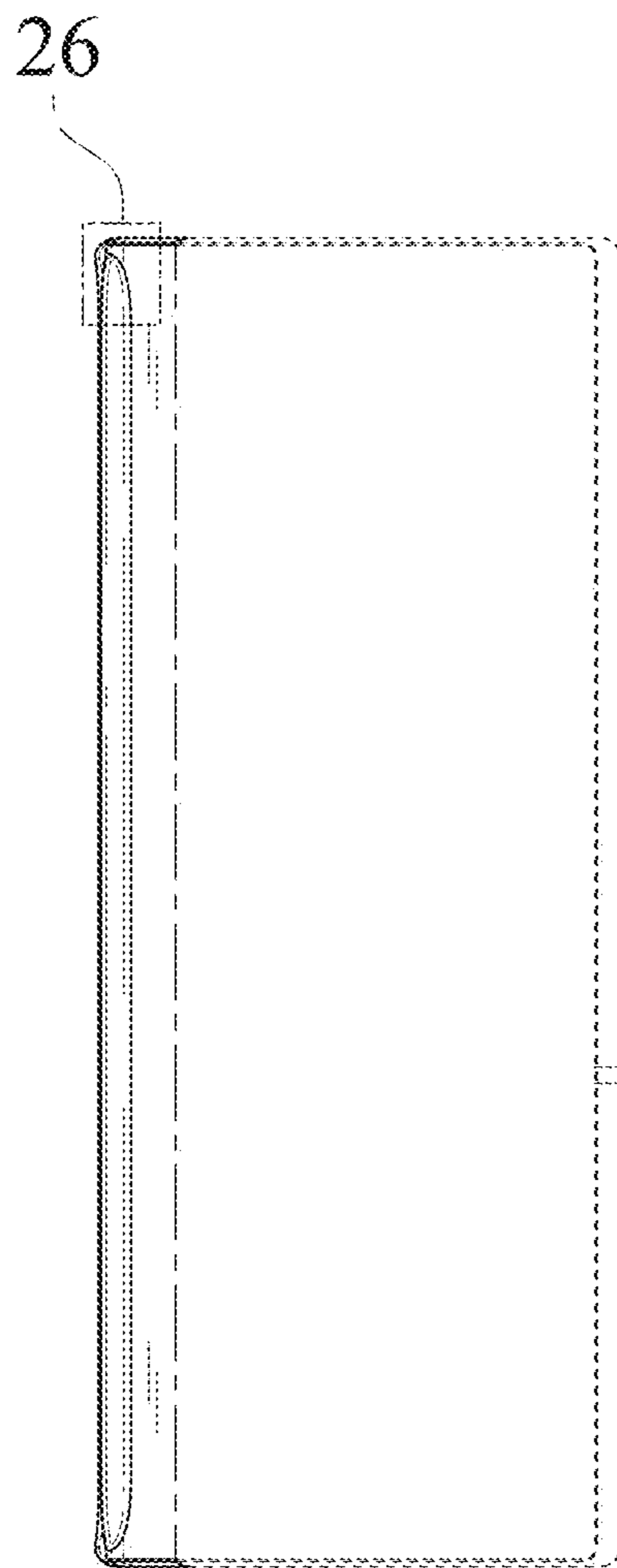


FIG. 19

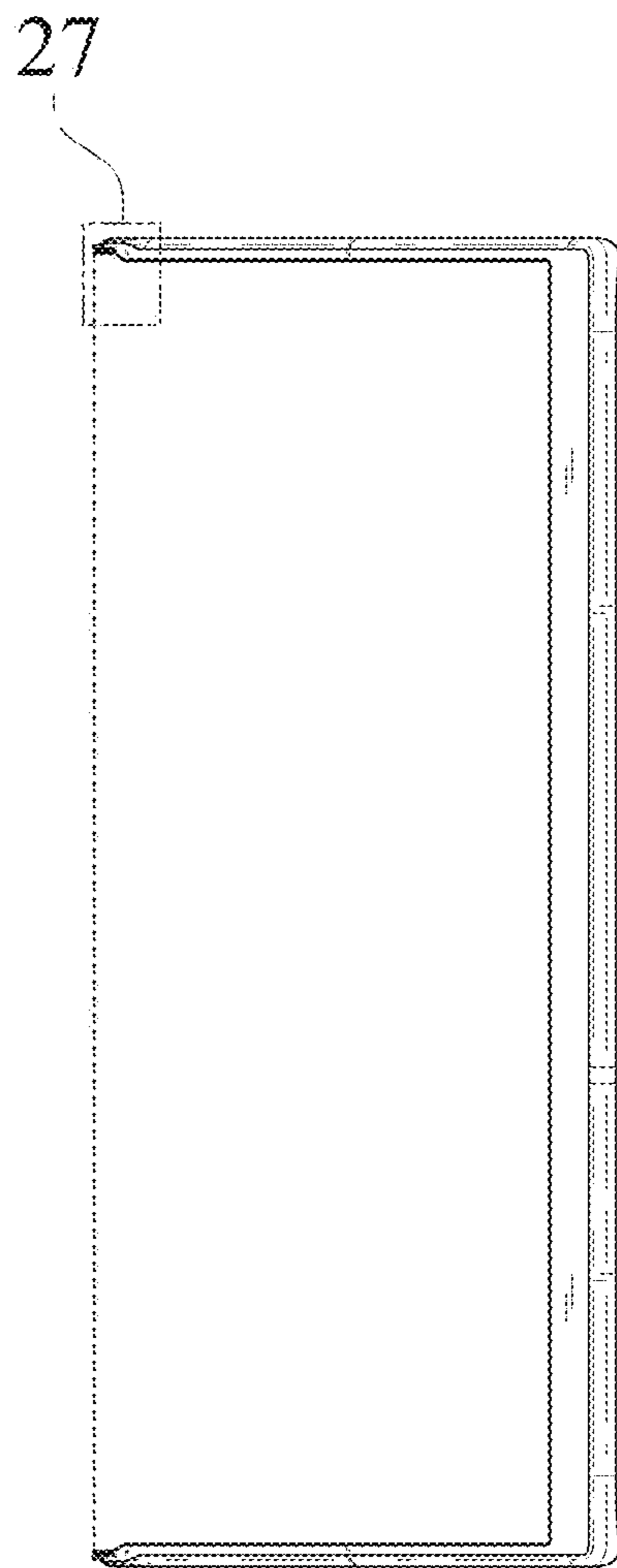


FIG. 20

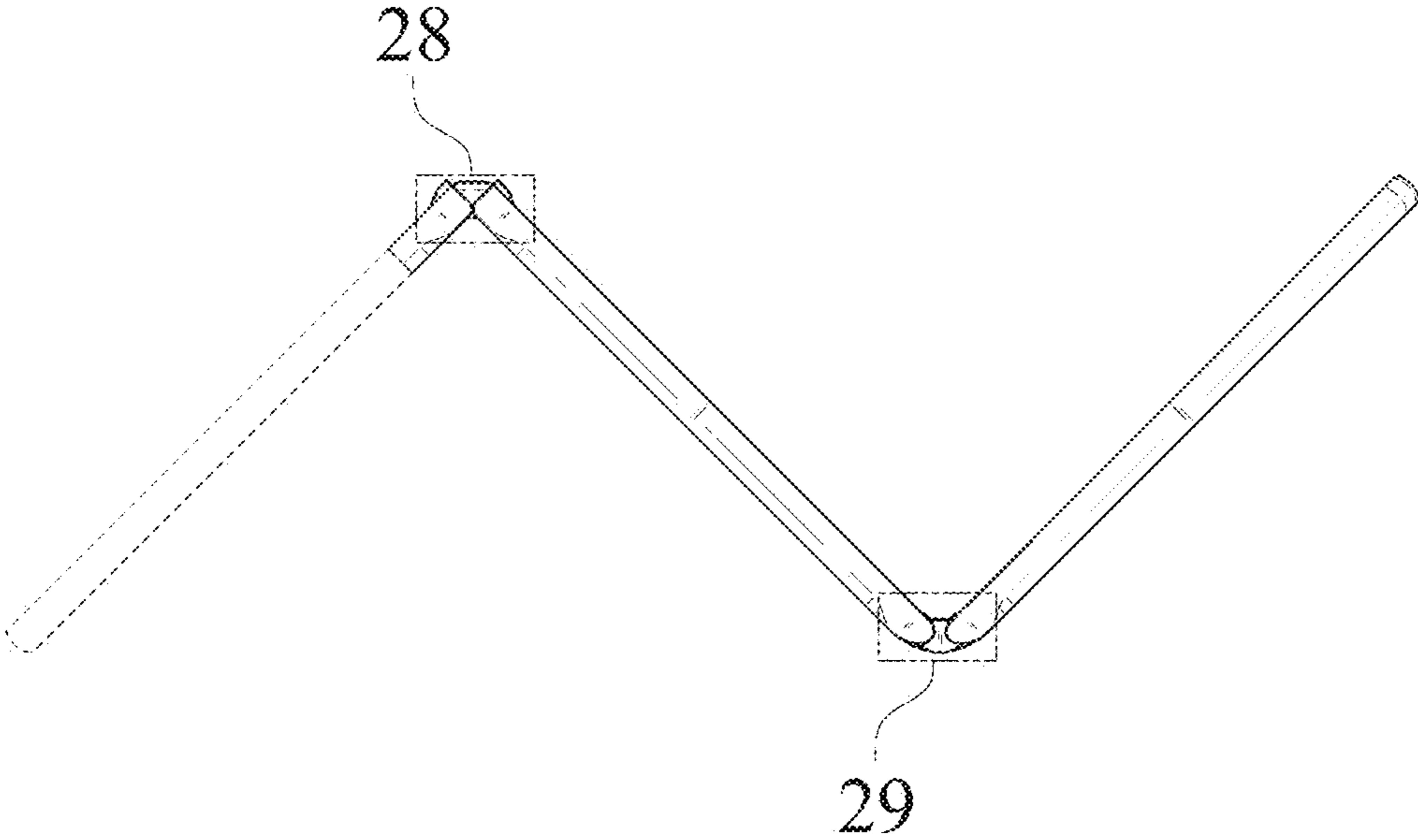


FIG. 21

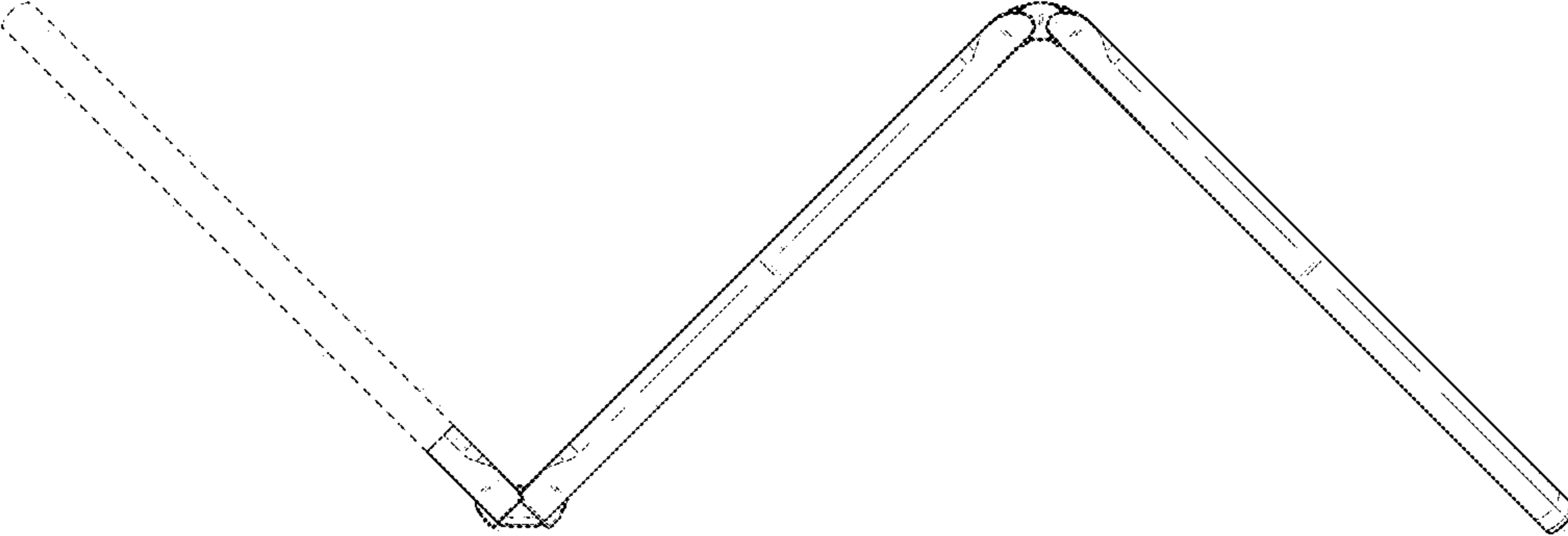


FIG. 22

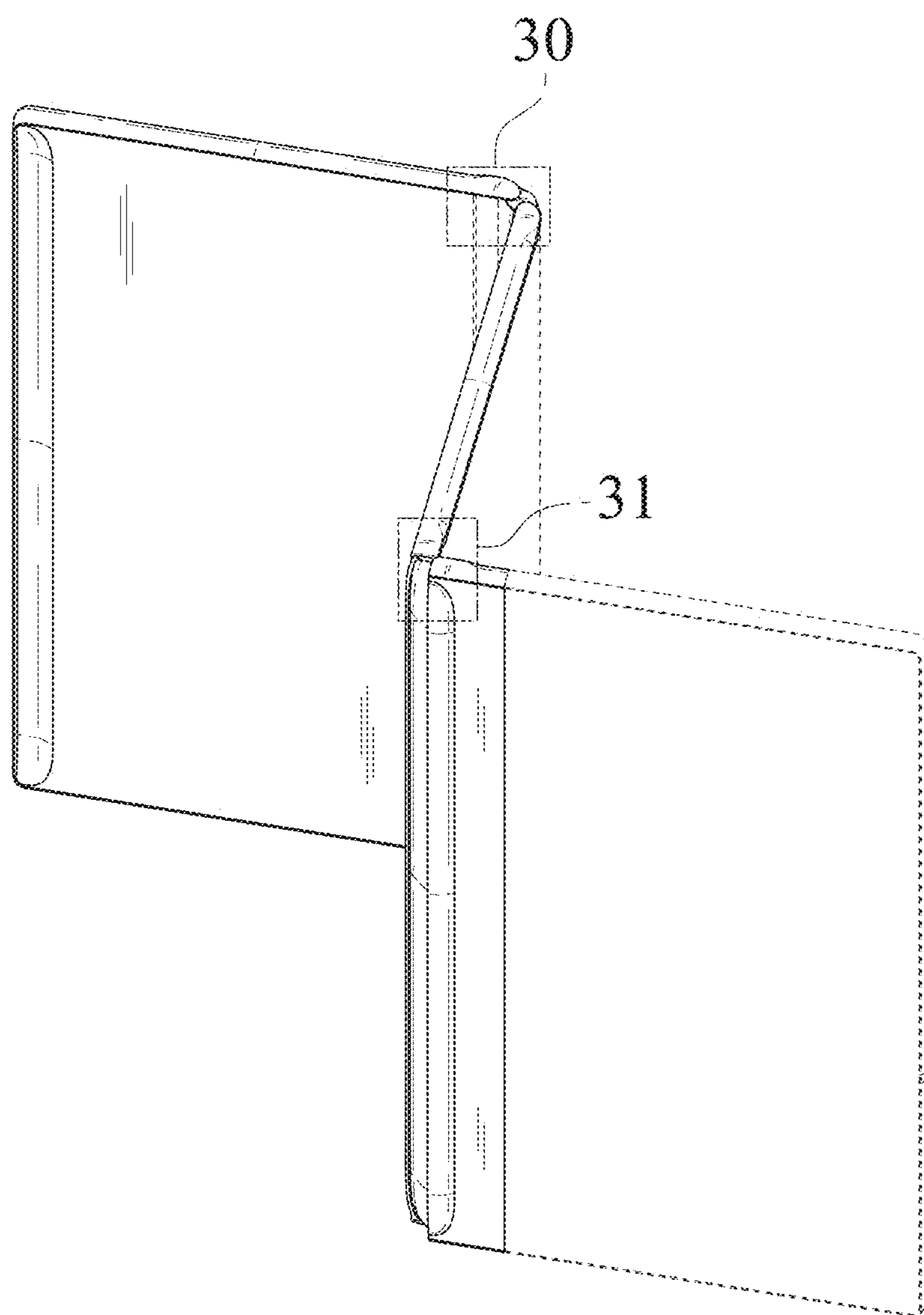


FIG. 23

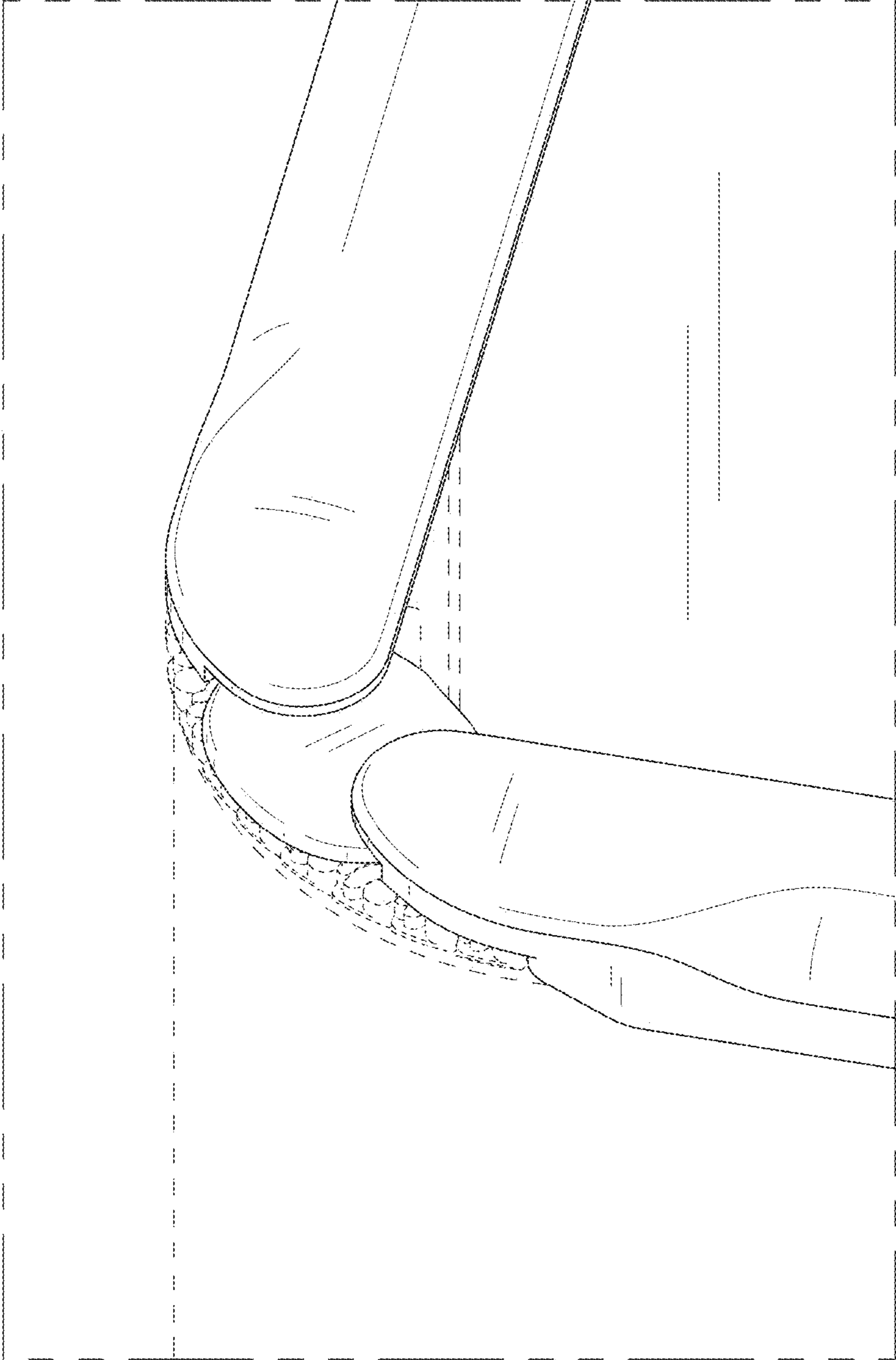


FIG. 24

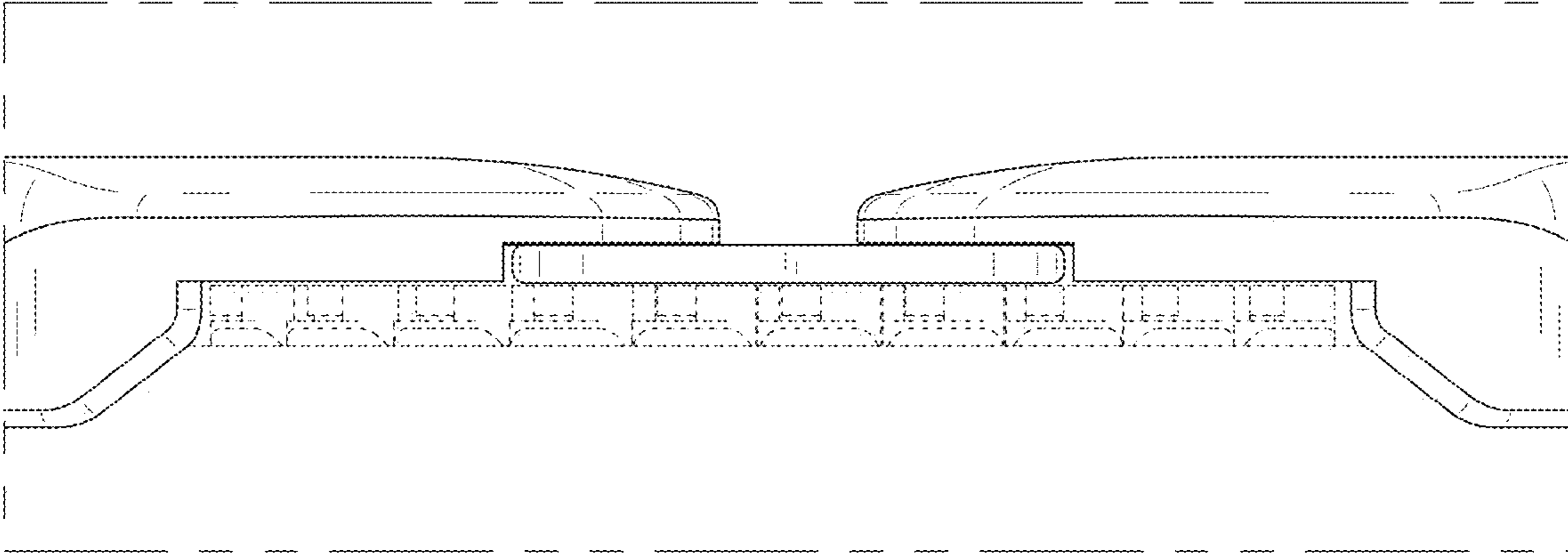


FIG. 25

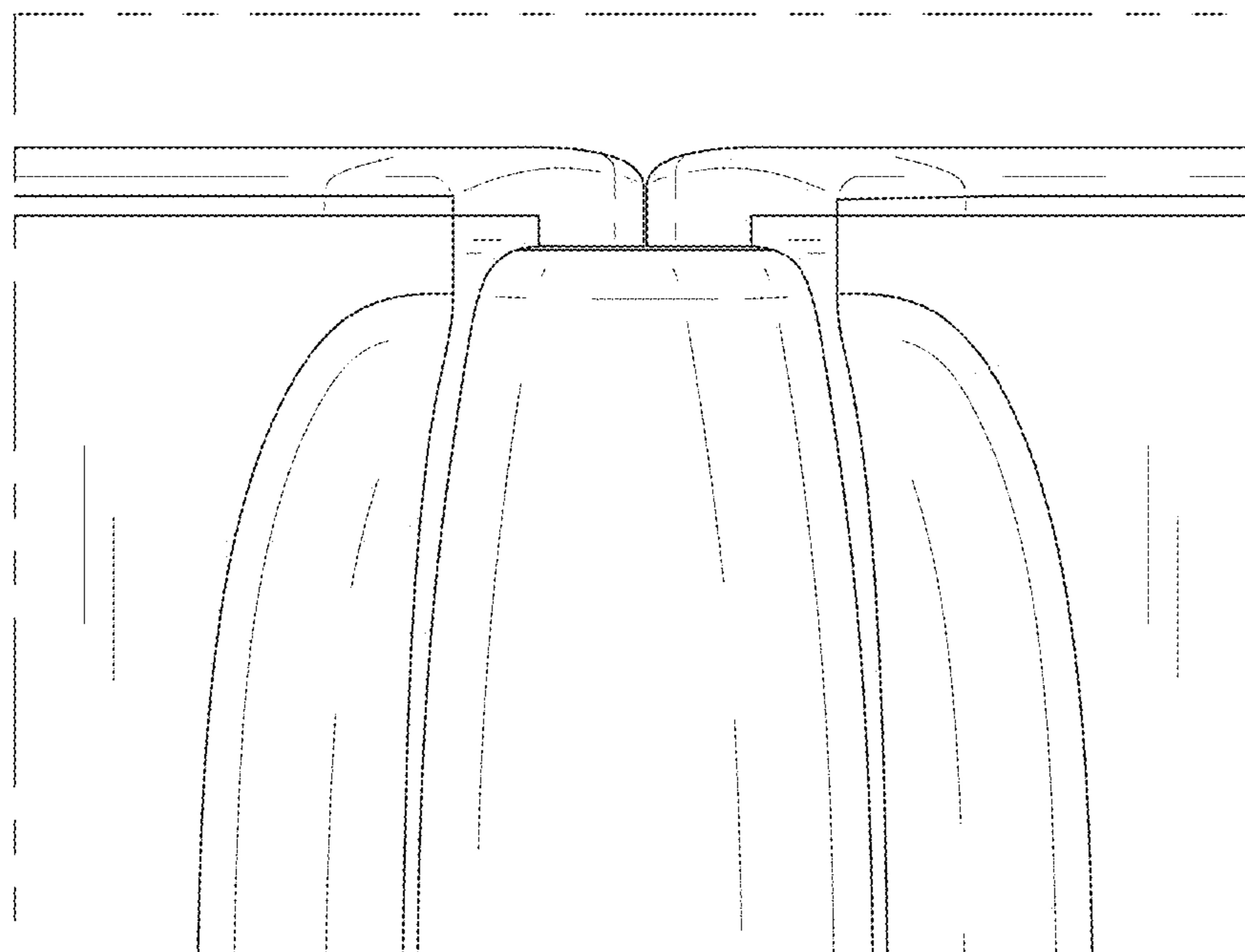


FIG. 26

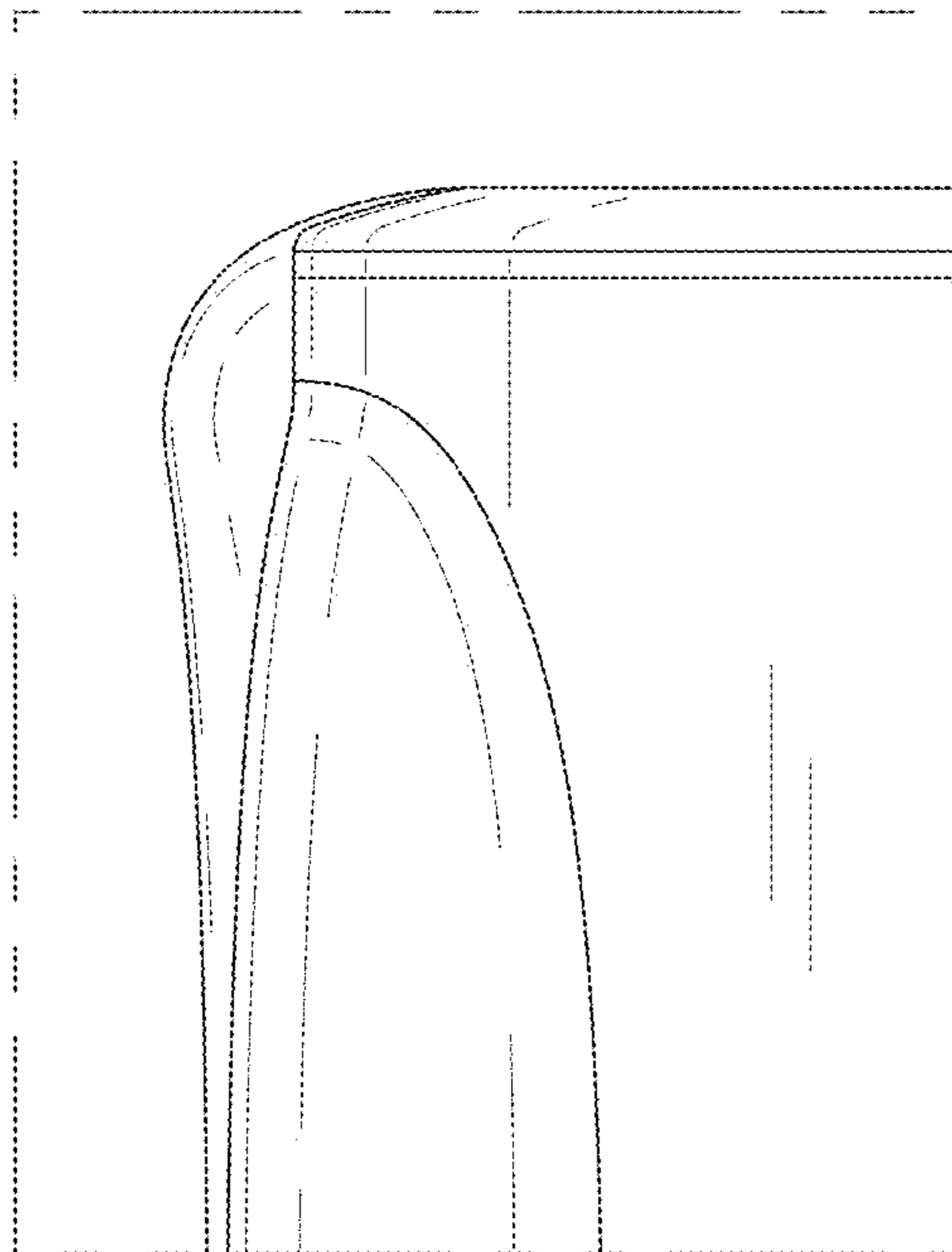


FIG. 27

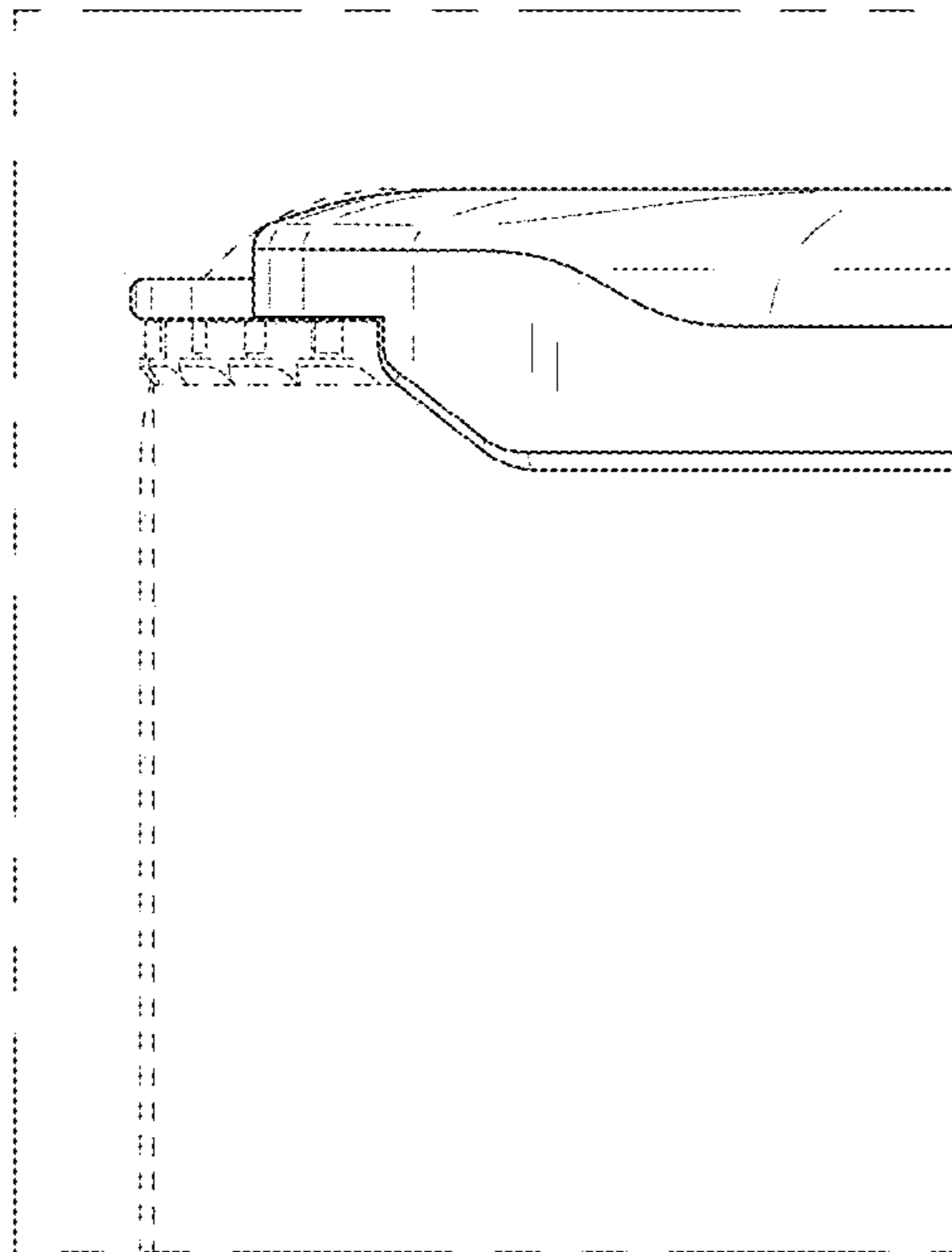


FIG. 28

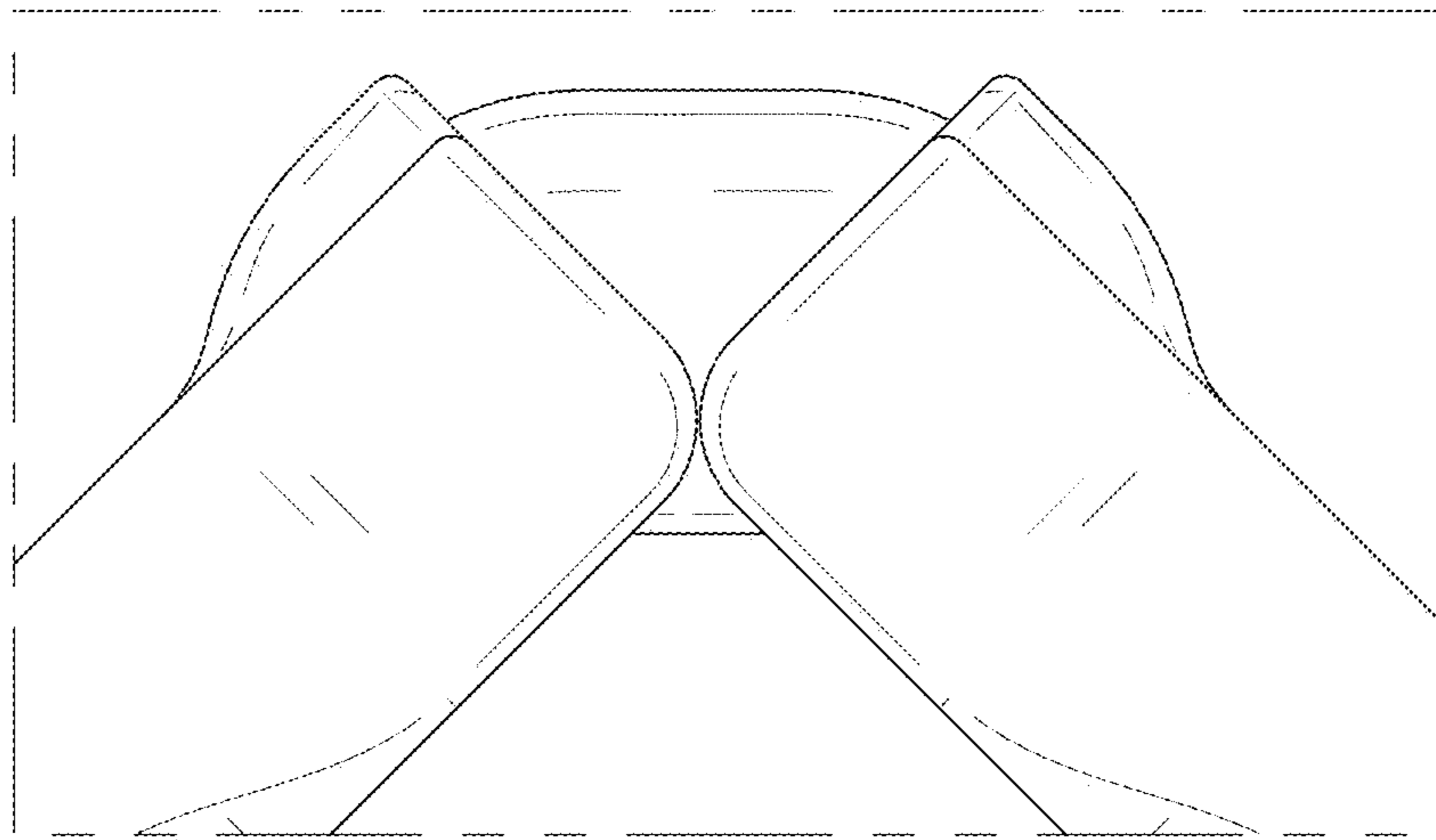


FIG. 29

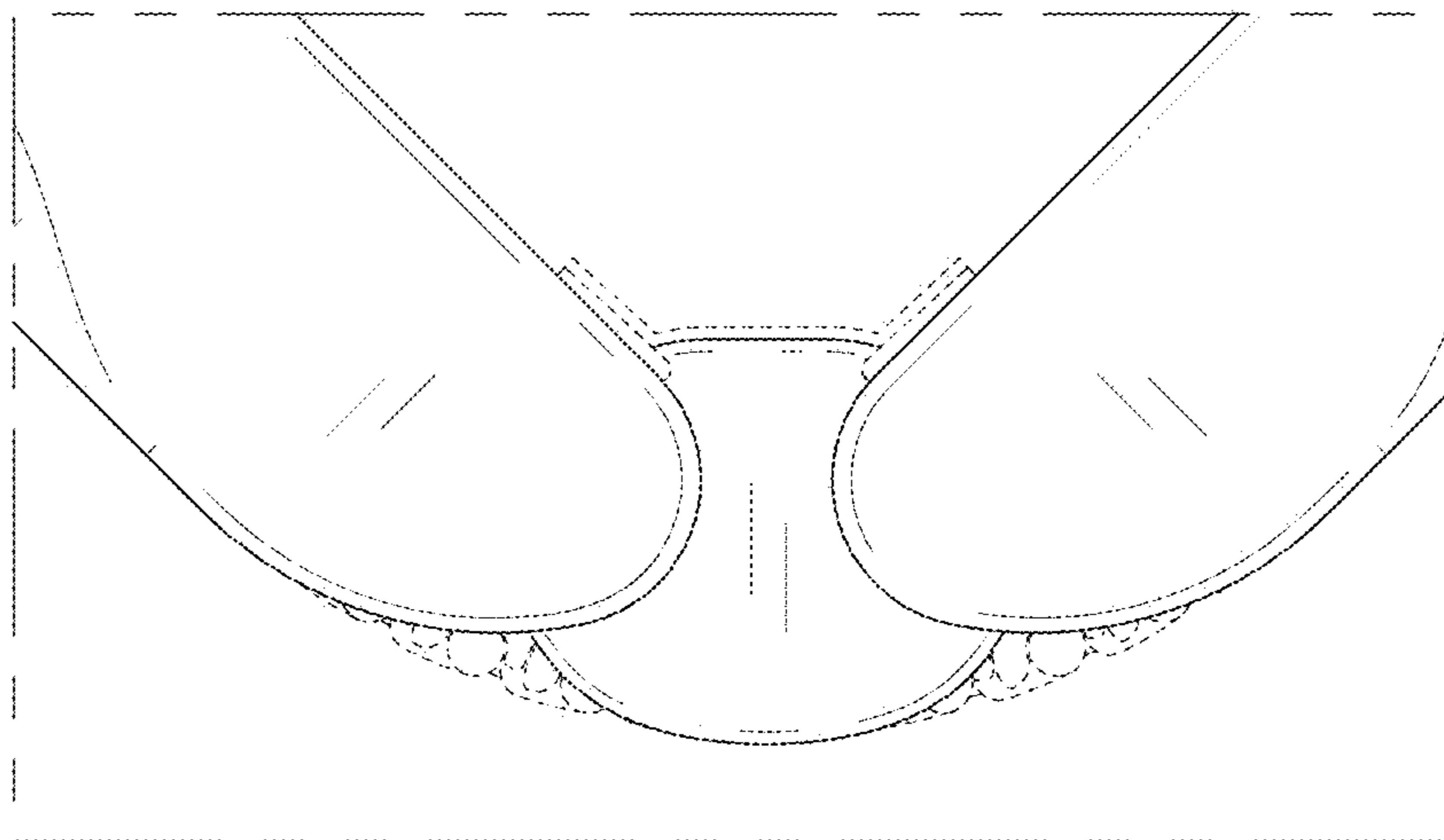


FIG. 30

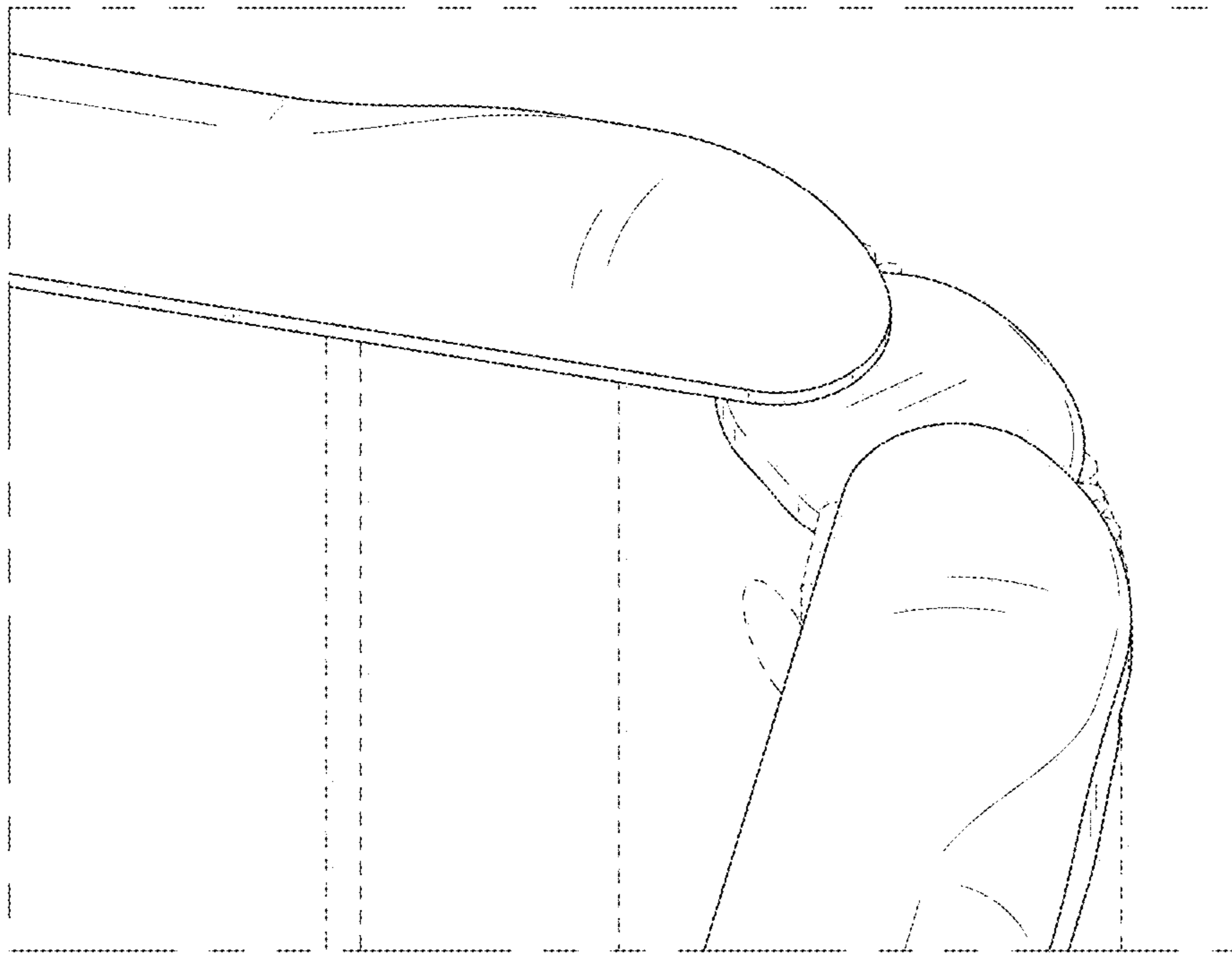


FIG. 31

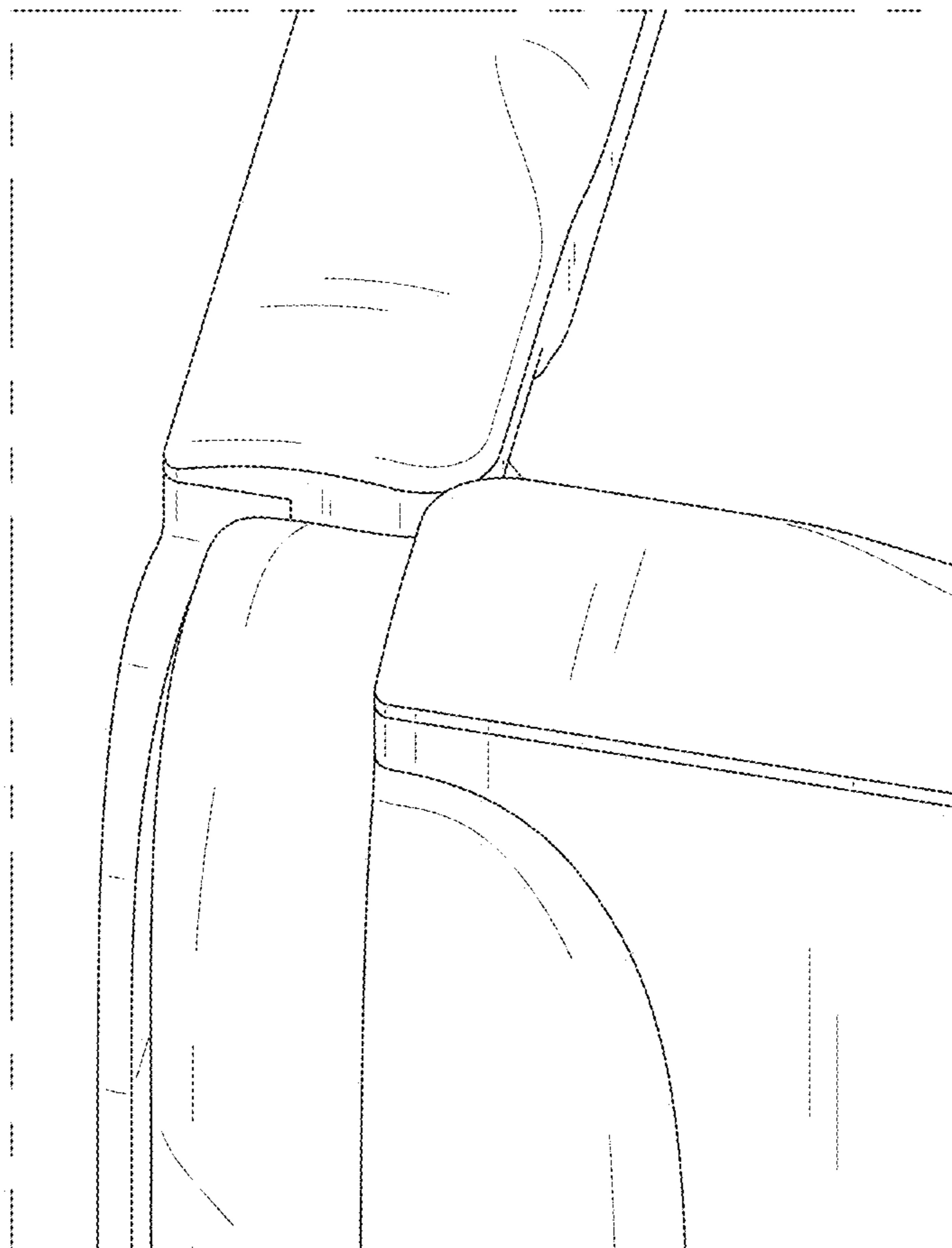


FIG. 32

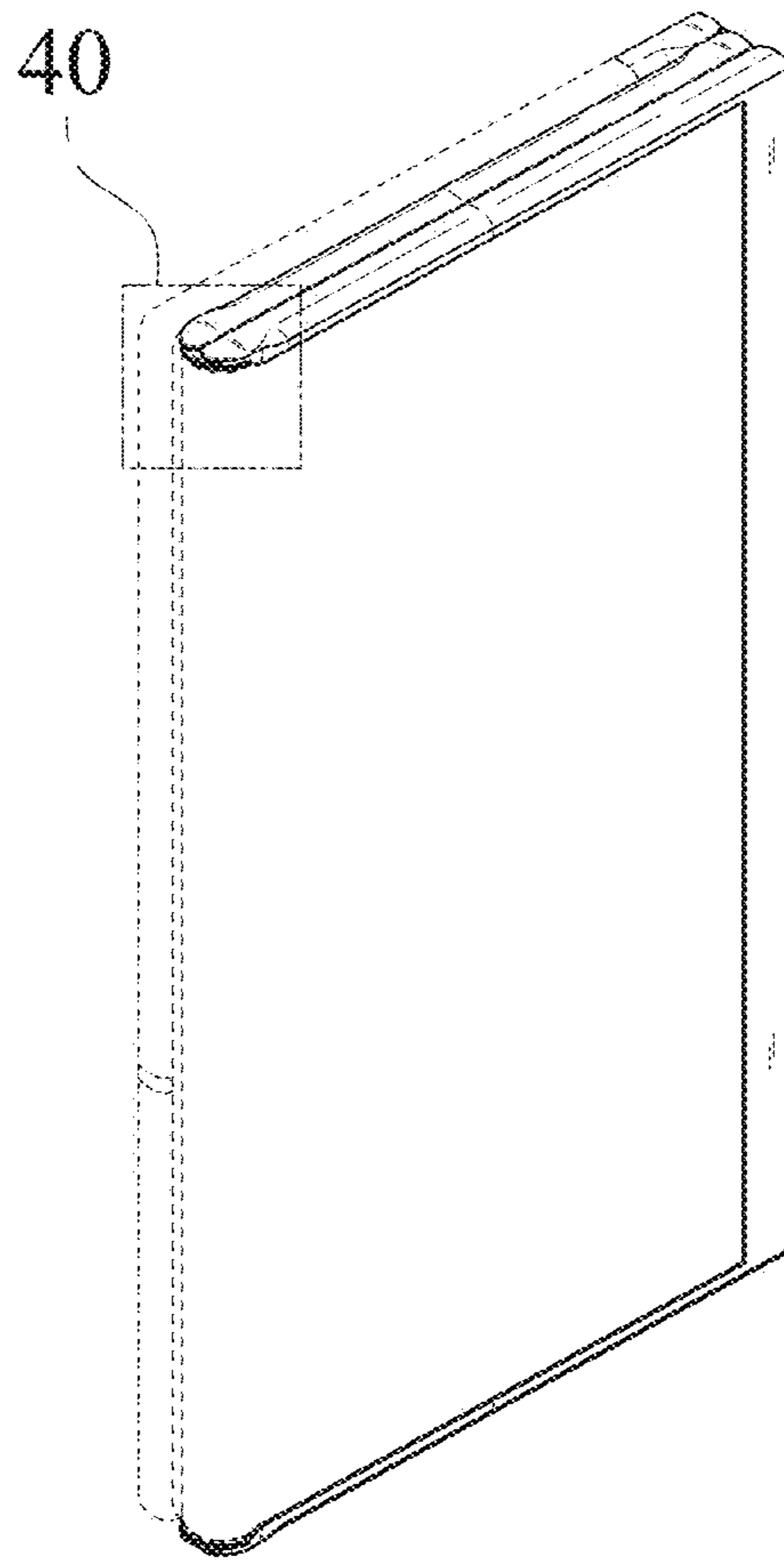


FIG. 33

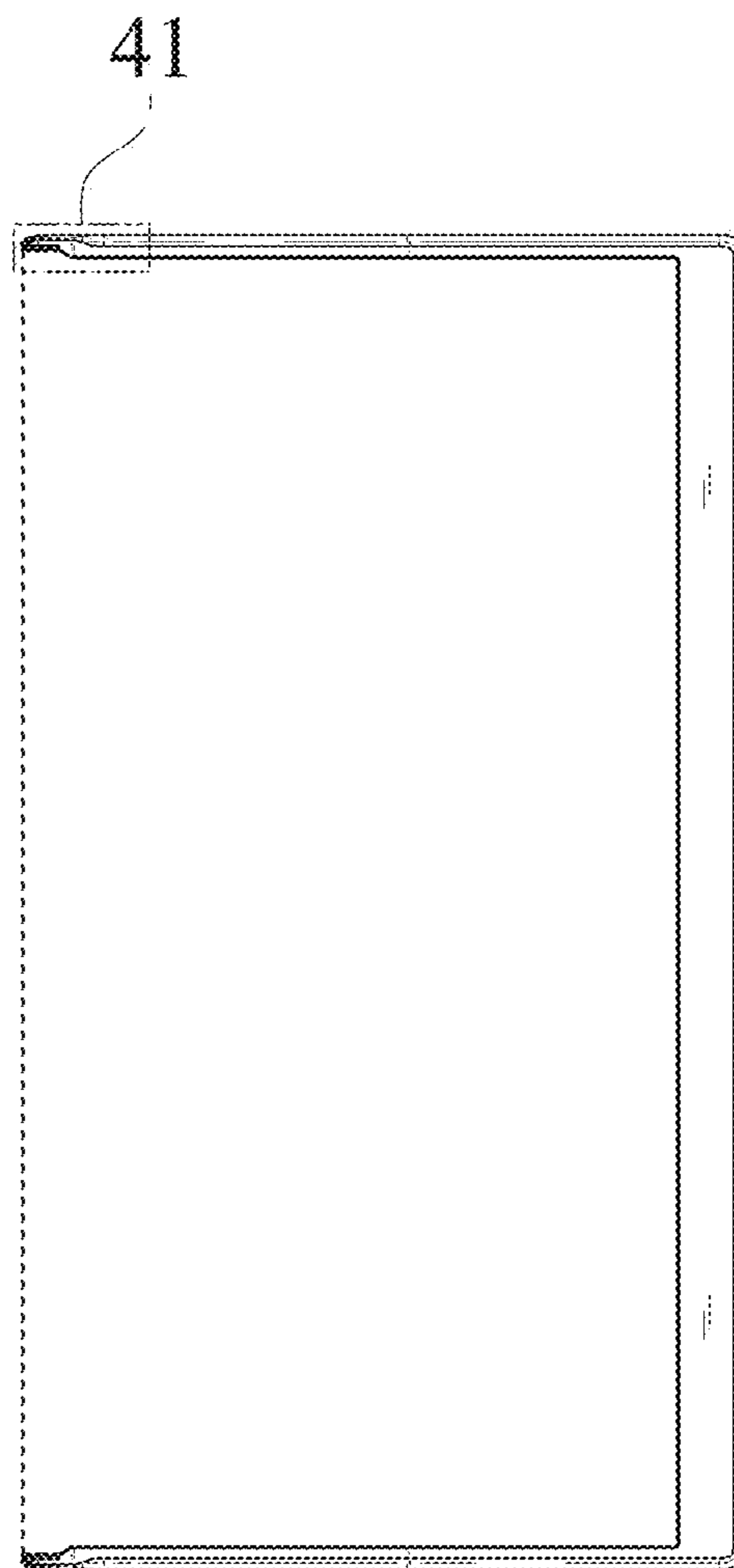


FIG. 34

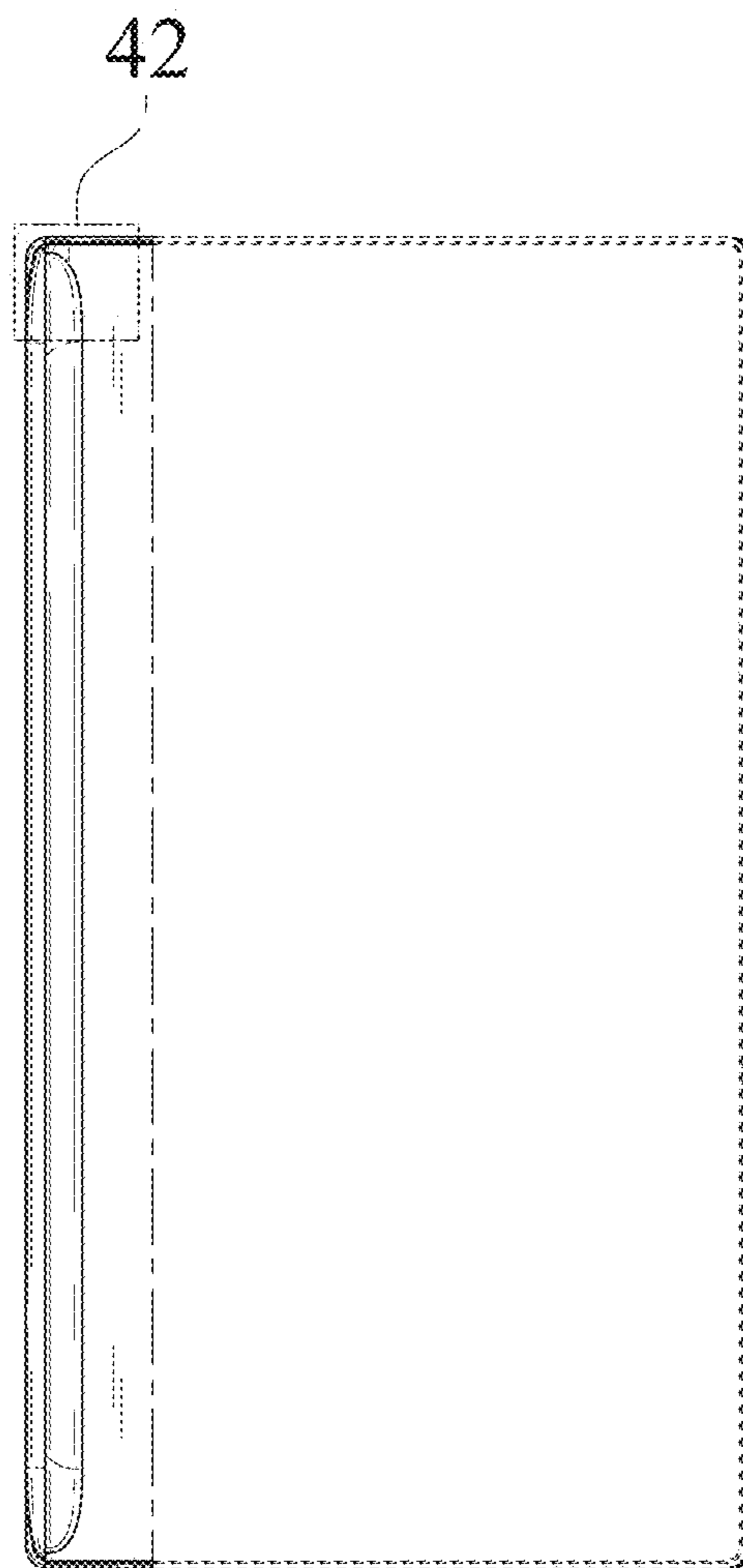


FIG. 35

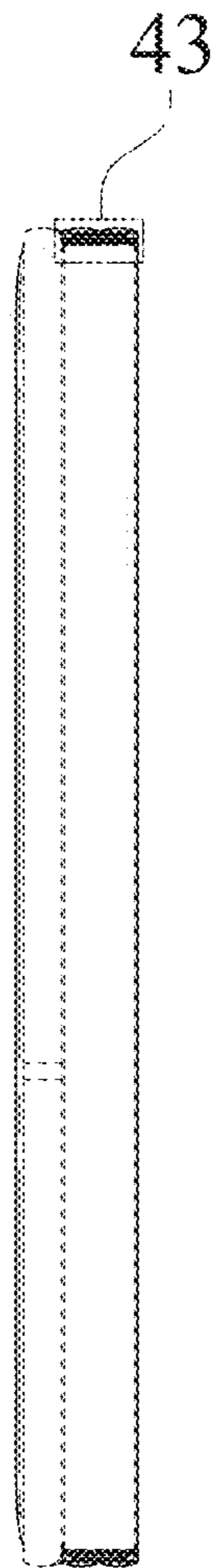


FIG. 36

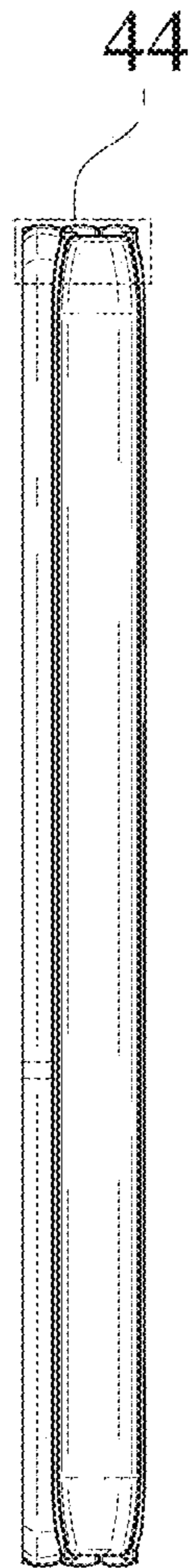


FIG. 37

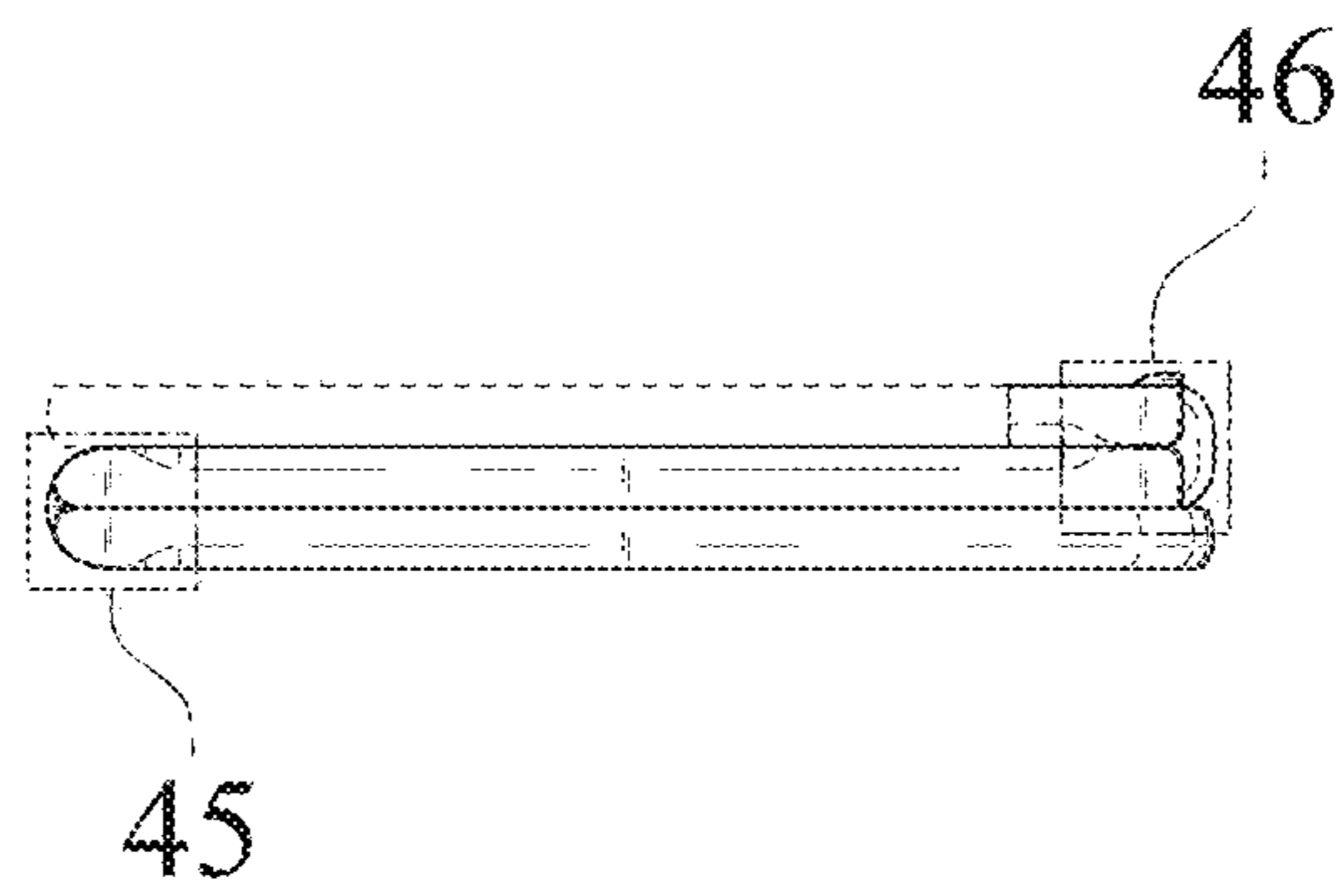


FIG. 38

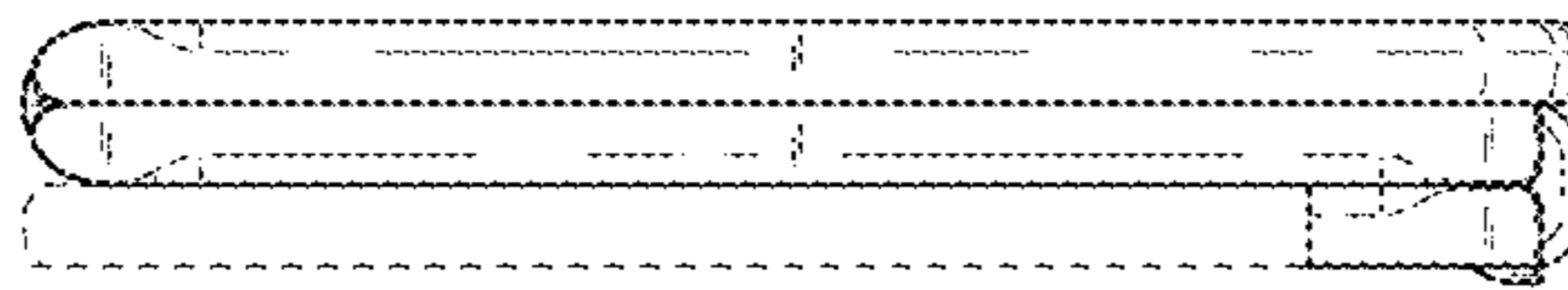


FIG. 39

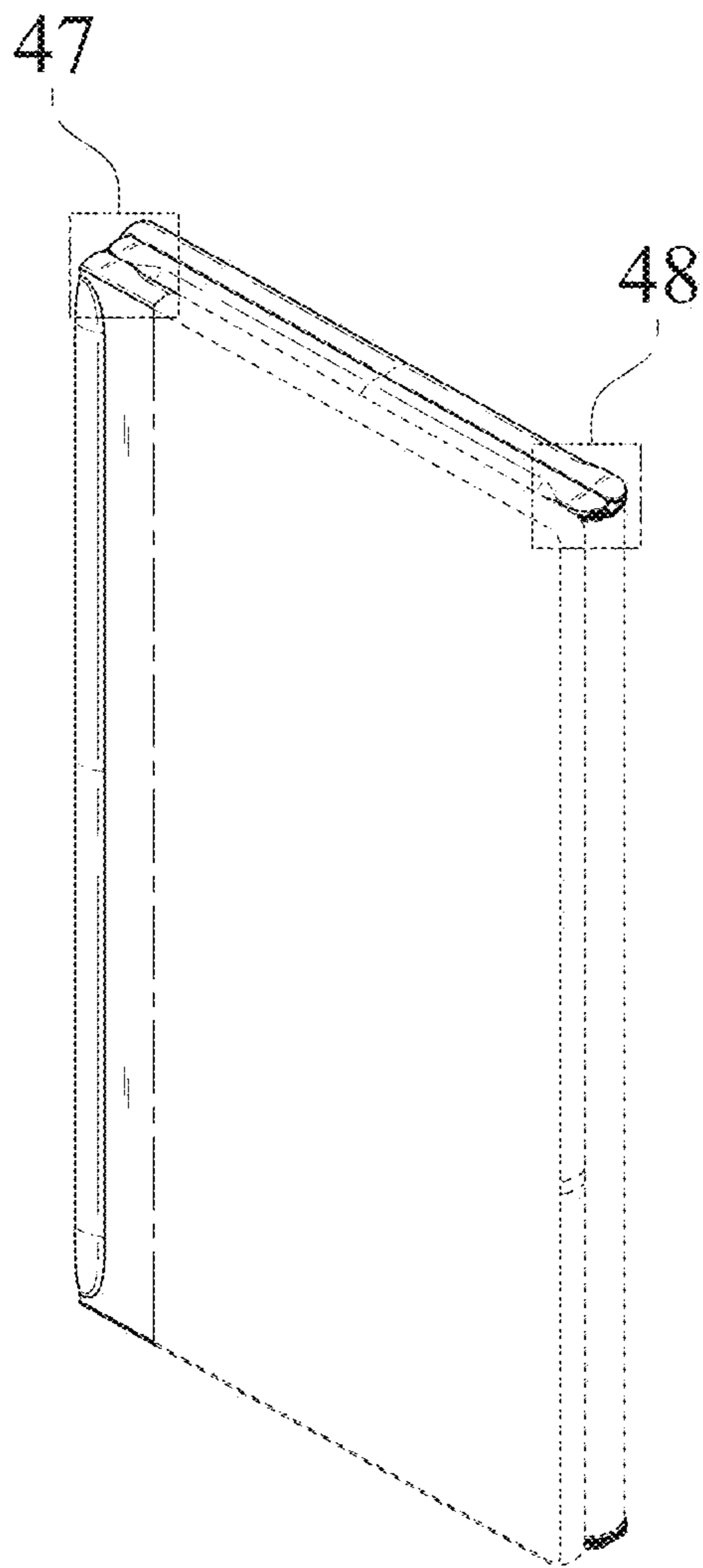


FIG. 40

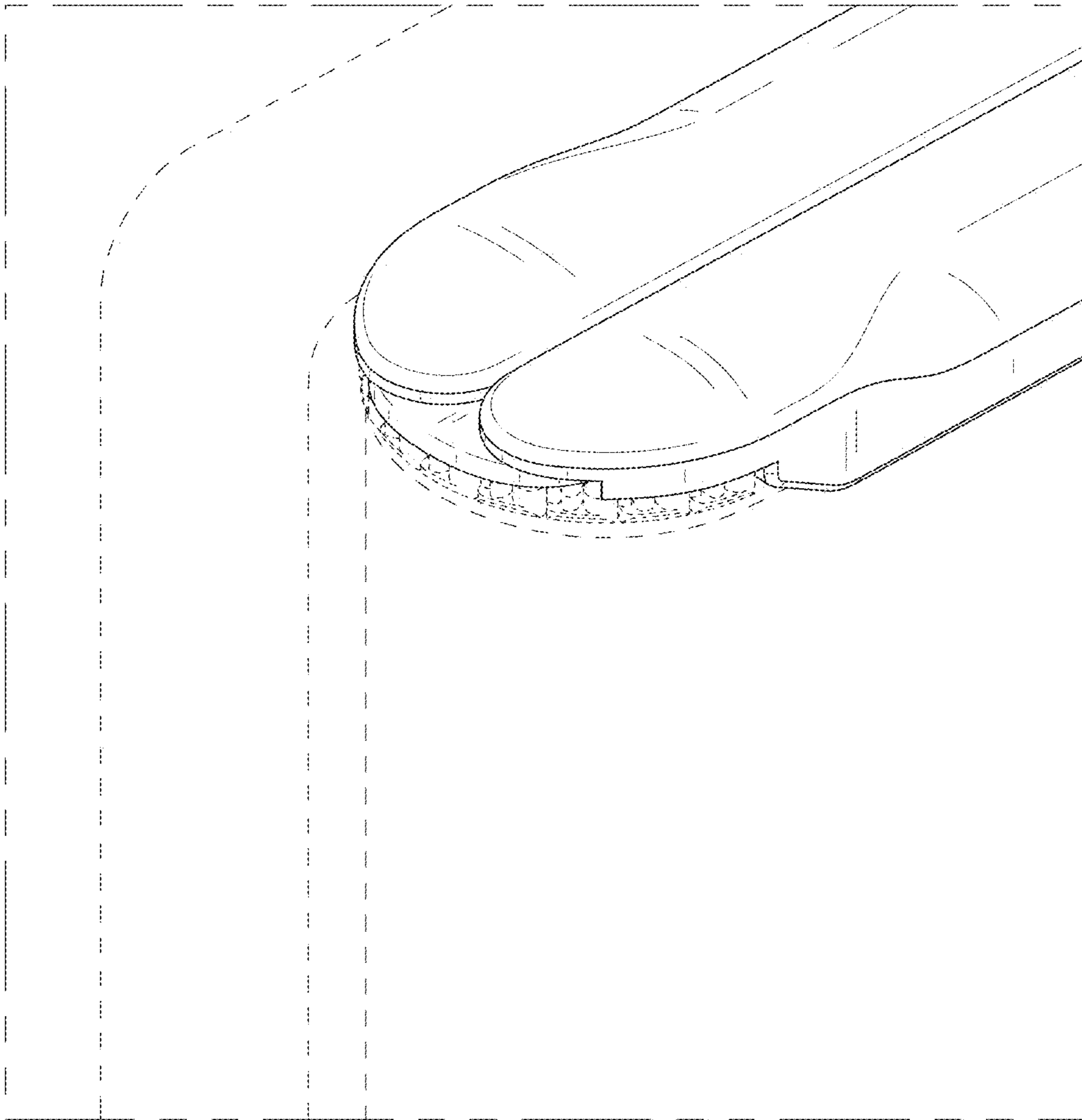


FIG. 41

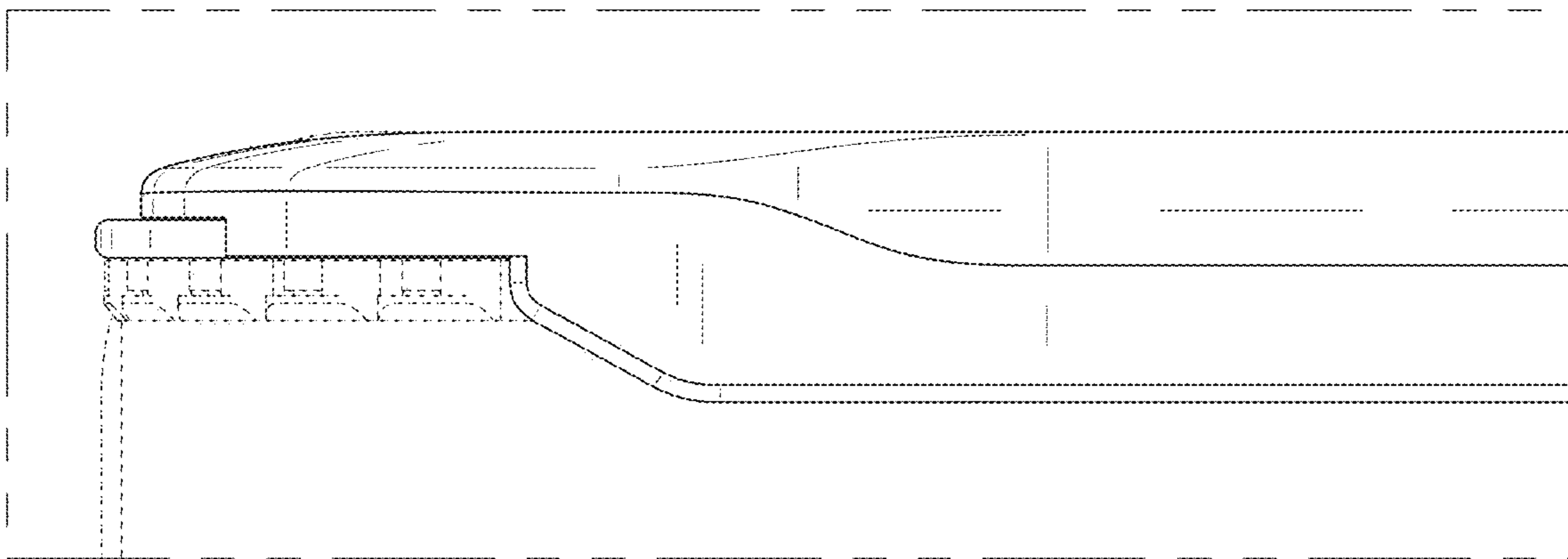


FIG. 42

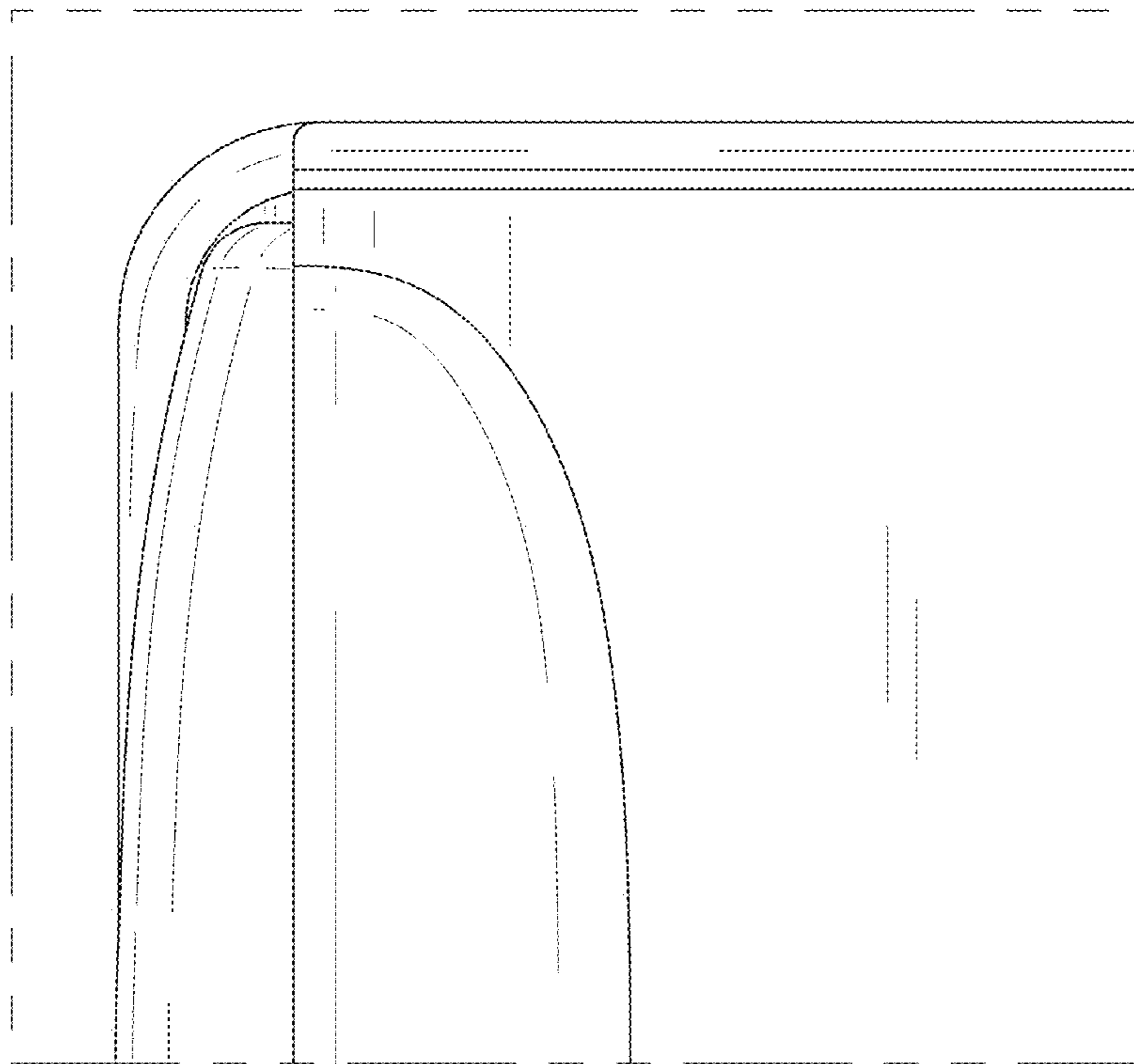


FIG. 43

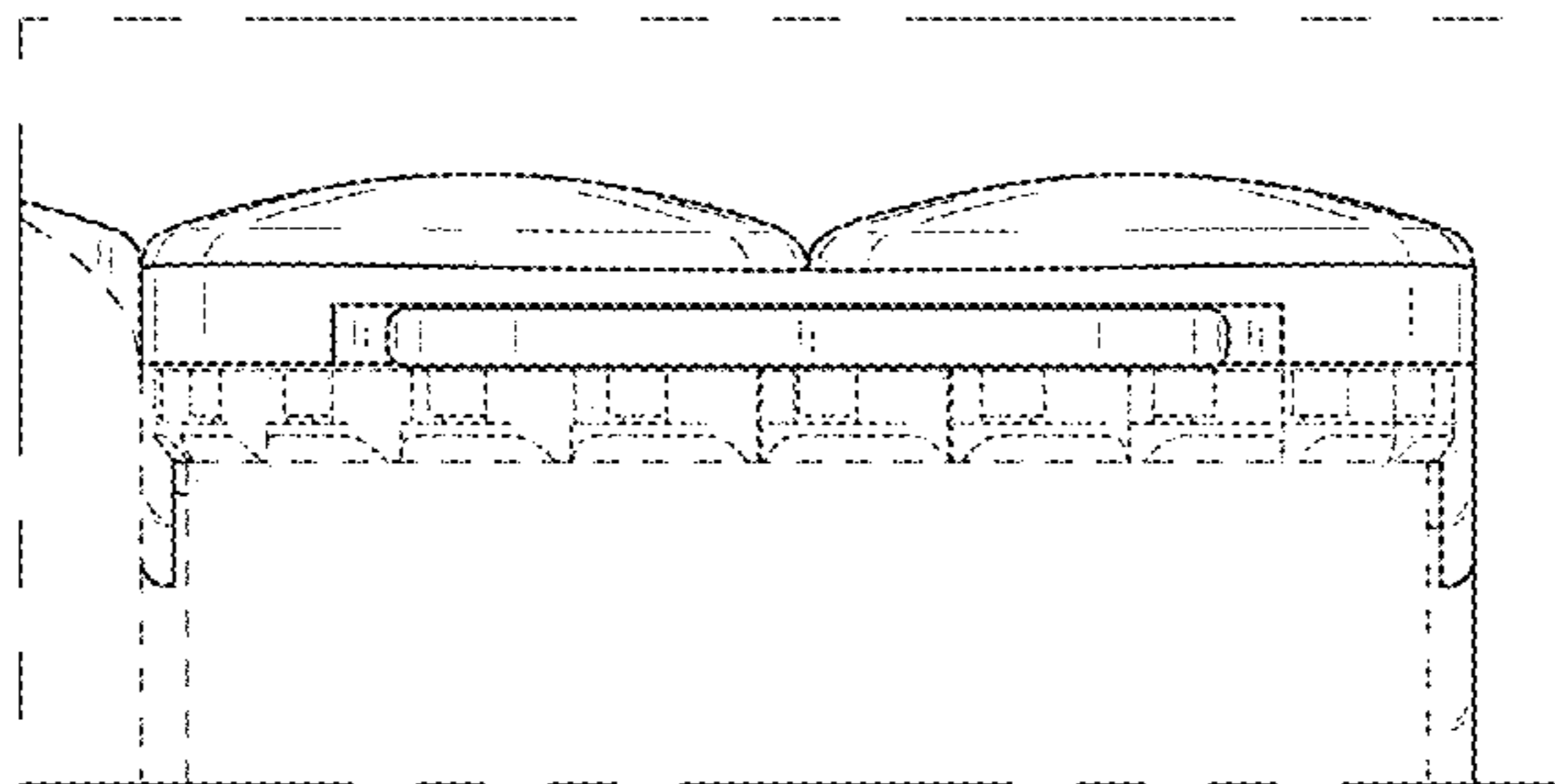


FIG. 44

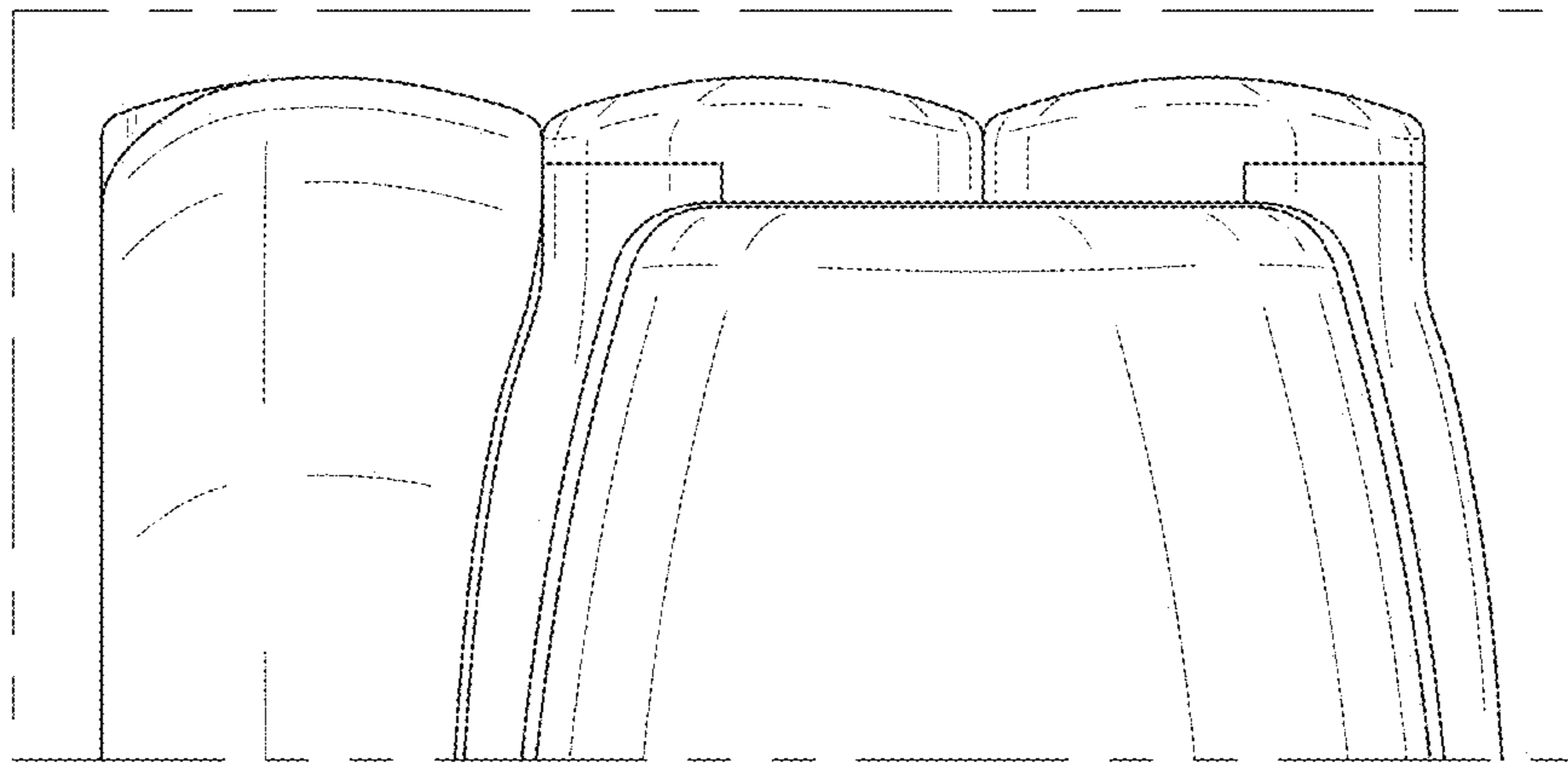


FIG. 45

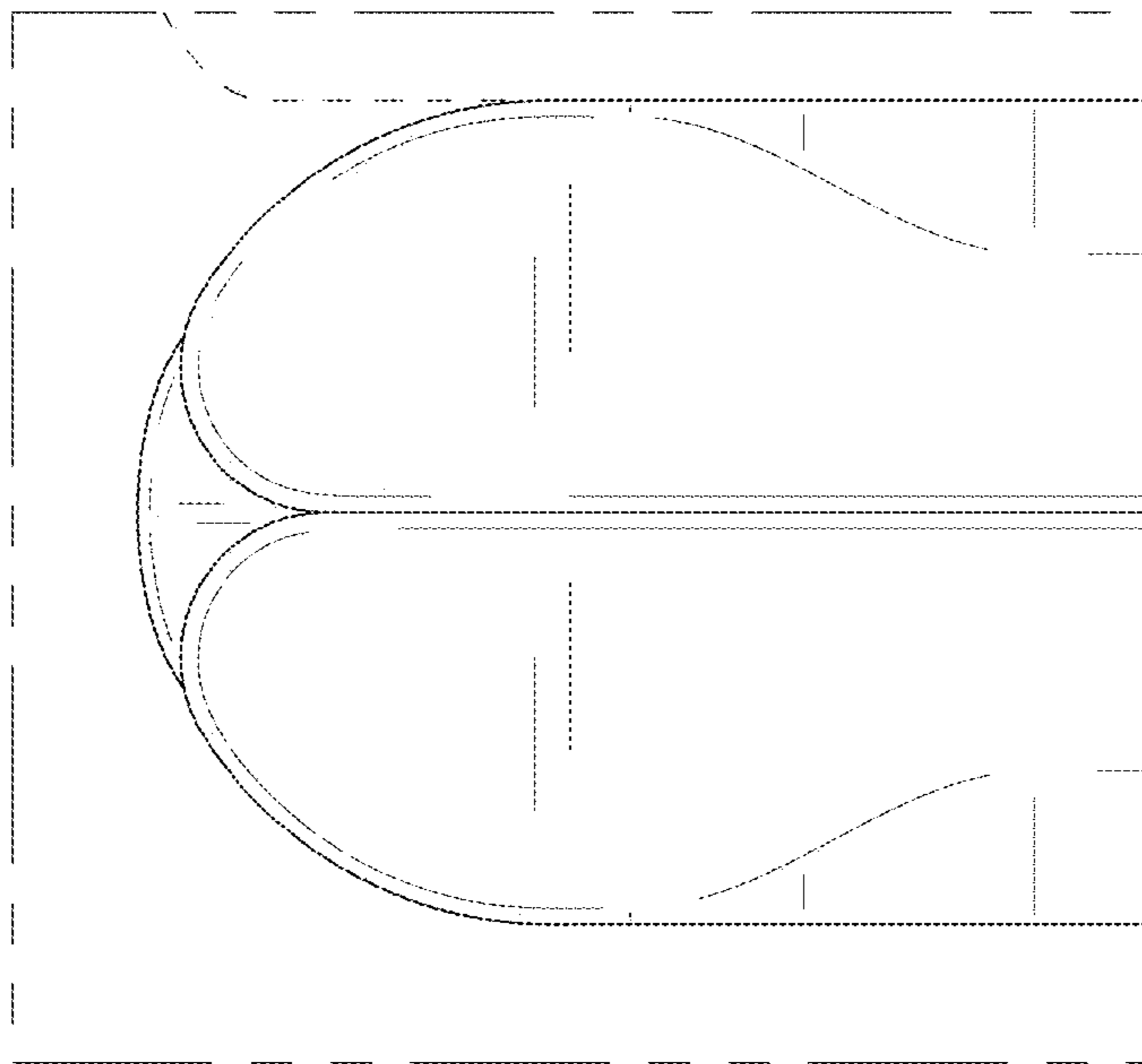


FIG. 46

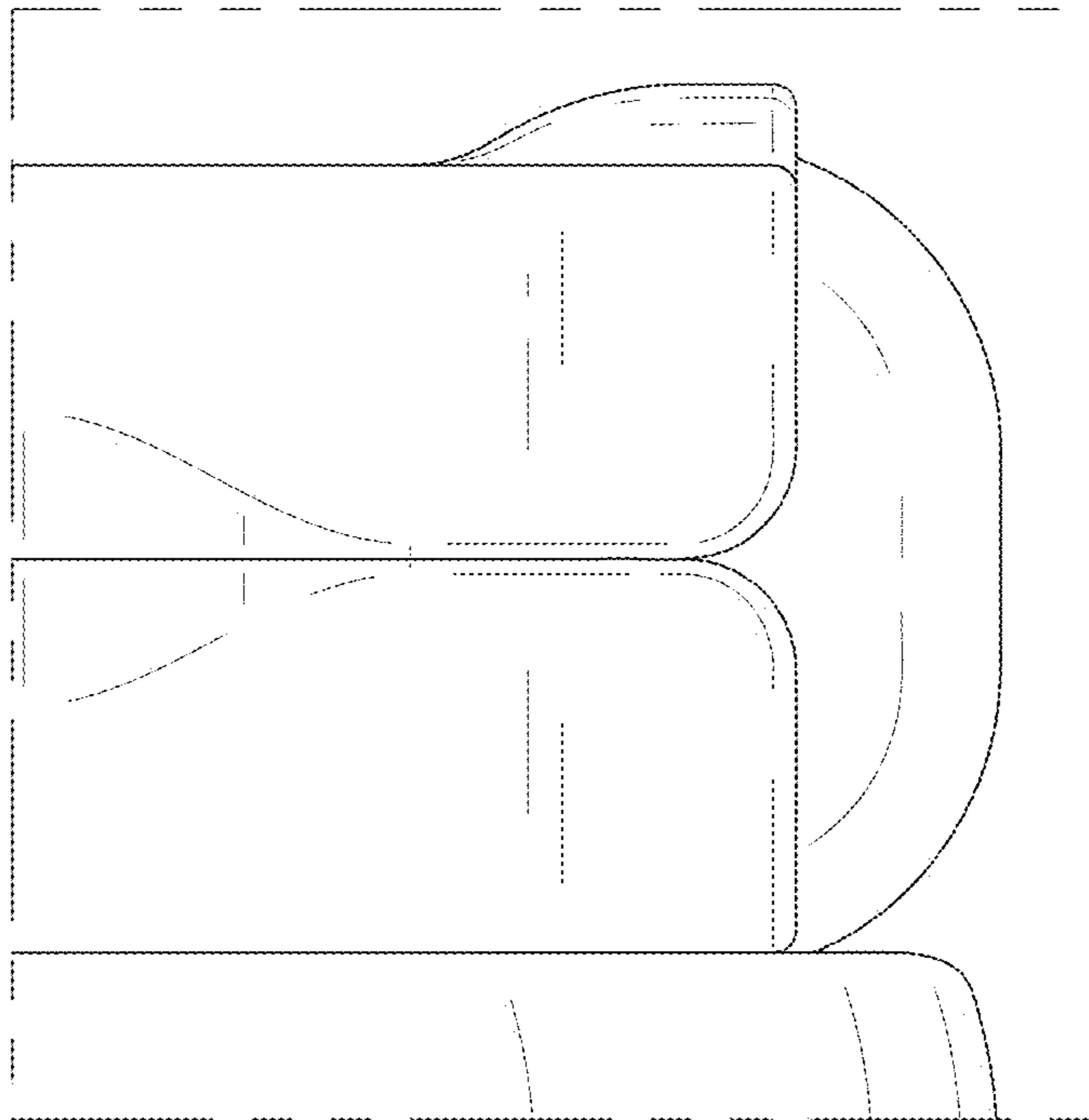


FIG. 47

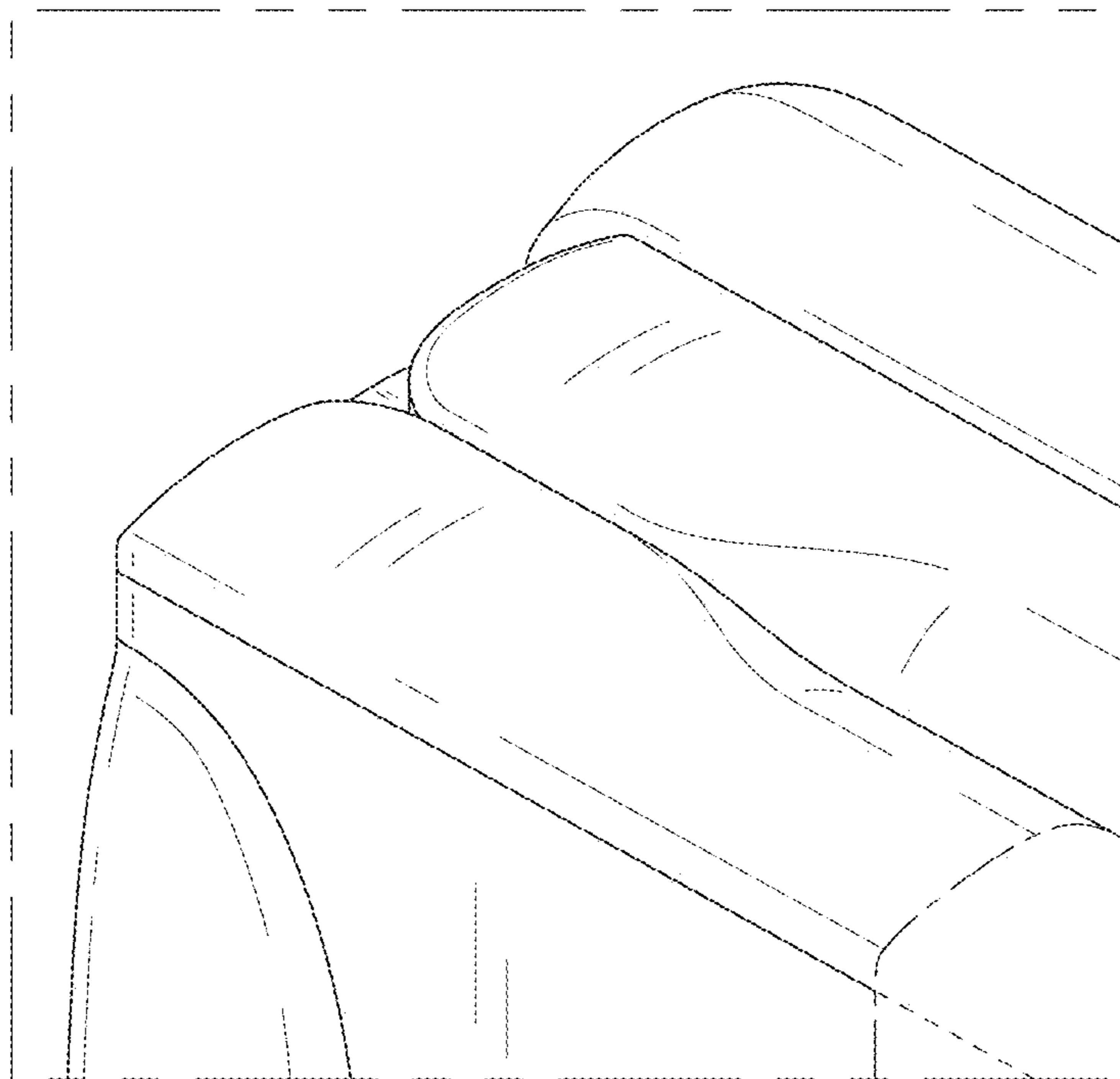


FIG. 48

