



US00D964353S

(12) **United States Design Patent** (10) **Patent No.:** **US D964,353 S**
Akana et al. (45) **Date of Patent:** **** Sep. 20, 2022**

(54) **ELECTRONIC DEVICE**

(71) Applicant: **Apple Inc.**, Cupertino, CA (US)

(72) Inventors: **Jody Akana**, San Francisco, CA (US); **Bartley K. Andre**, Palo Alto, CA (US); **Jeremy Bataillou**, San Francisco, CA (US); **Daniel J. Coster**, San Francisco, CA (US); **Daniele De Iuliis**, San Francisco, CA (US); **M. Evans Hankey**, San Francisco, CA (US); **Julian Hoenig**, San Francisco, CA (US); **Richard P. Howarth**, San Francisco, CA (US); **Jonathan P. Ive**, San Francisco, CA (US); **Duncan Robert Kerr**, San Francisco, CA (US); **Shin Nishibori**, Kailua, HI (US); **Matthew Dean Rohrbach**, San Francisco, CA (US); **Peter Russell-Clarke**, San Francisco, CA (US); **Christopher J. Stringer**, Woodside, CA (US); **Eugene Antony Whang**, San Francisco, CA (US); **Rico Zörkendörfer**, San Francisco, CA (US)

(73) Assignee: **Apple Inc.**, Cupertino, CA (US)

(**) Term: **15 Years**

(21) Appl. No.: **29/689,685**

(22) Filed: **May 1, 2019**

Related U.S. Application Data

(63) Continuation of application No. 29/586,519, filed on Dec. 5, 2016, now Pat. No. Des. 864,950, which is a continuation of application No. 29/493,571, filed on Jun. 11, 2014, now Pat. No. Des. 773,453, which is a continuation of application No. 29/423,180, filed on May 29, 2012, now Pat. No. Des. 707,223.

(51) **LOC (13) Cl.** **14-02**

(52) **U.S. Cl.**
USPC **D14/341**

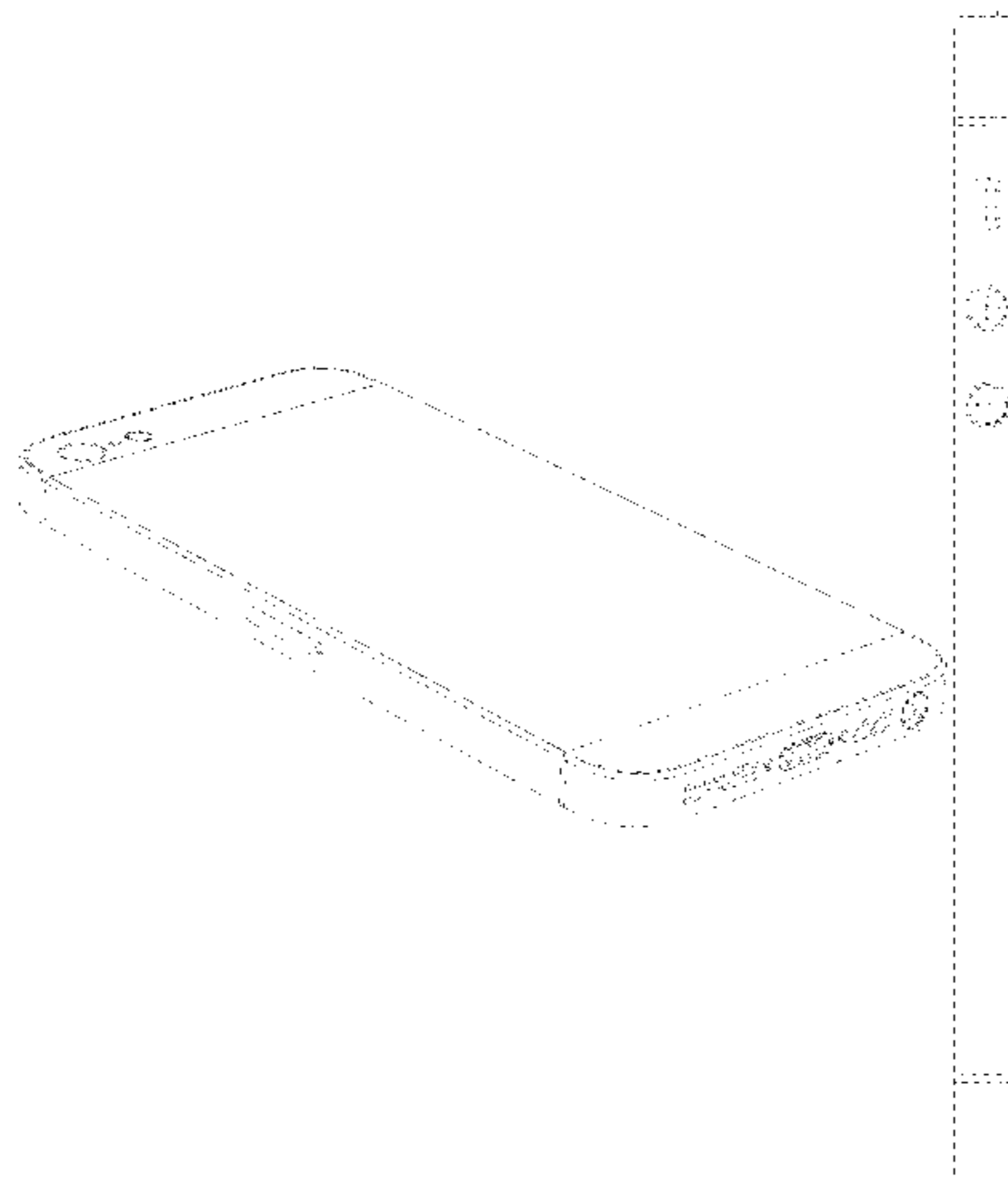
(58) **Field of Classification Search**

USPC D14/138 AA, 138 AB, 138 AC, 138 AD, D14/138 C, 138 G, 203.1–203.8, 248, D14/315–318, 341–347, 371, 374, 432, D14/439, 496; D6/308, 310; D10/50, D10/65, 104.1; D18/6–7; D19/26, D19/59–60; D21/324, 329–330, 332
CPC ... H04M 1/0202; H04M 1/0266; H04M 1/725
See application file for complete search history.

(56) **References Cited**

U.S. PATENT DOCUMENTS

5,600,800 A	2/1997	Kikinis et al.	
D399,864 S	10/1998	Gotham	
D456,023 S	4/2002	Andre et al.	
D502,173 S	2/2005	Jung et al.	
D514,090 S	1/2006	Carbone et al.	
7,042,712 B2	5/2006	Ghosh et al.	
D557,256 S	12/2007	Joseph	
D558,756 S	1/2008	Andre et al.	
D561,782 S	2/2008	Kim	
D574,019 S	7/2008	Amit et al.	
D580,387 S	11/2008	Andre et al.	
D597,067 S *	7/2009	Oh	D14/203.7
D602,014 S	10/2009	Andre et al.	
D602,015 S	10/2009	Andre et al.	
D602,486 S	10/2009	Andre et al.	
D622,719 S	8/2010	Andre et al.	
D627,778 S *	11/2010	Akana	D14/341
D633,493 S *	3/2011	Akana	D14/341
D633,908 S *	3/2011	Akana	D14/341
D645,835 S	9/2011	Lee et al.	
D646,249 S	10/2011	Kim et al.	
D651,189 S	12/2011	Tsai et al.	
D653,642 S	2/2012	Han	
D653,645 S	2/2012	Park	
D654,049 S	2/2012	Chung	
D654,460 S	2/2012	Kim et al.	
D654,900 S	2/2012	Jung	
D664,531 S	7/2012	Akana et al.	
D670,286 S	11/2012	Akana et al.	
D671,937 S *	12/2012	Akana	D14/341
D672,343 S *	12/2012	Akana	D14/341
D673,561 S	1/2013	Hyun et al.	
D674,383 S	1/2013	Andre et al.	
D677,657 S *	3/2013	Akana	D14/341
D678,881 S	3/2013	Groene et al.	
D682,333 S	5/2013	Kim et al.	
D684,553 S	6/2013	Kim et al.	



US D964,353 S

D684,571 S *	6/2013	Akana	D14/341	CL	200901887	9/2009
D688,660 S *	8/2013	Akana	D14/341	CL	200801681	11/2009
D690,693 S *	10/2013	Akana	D14/341	CL	200902212	12/2009
D691,133 S *	10/2013	Akana	D14/341	CL	200902213	12/2009
D706,776 S *	6/2014	Akana	D14/341	CL	200902214	12/2009
D707,223 S *	6/2014	Akana	D14/341	CL	201000859	8/2010
D710,843 S *	8/2014	Akana	D14/341	CL	201000909	8/2010
D712,405 S *	9/2014	Akana	D14/341	CN	302902158	* 8/2014
D714,254 S	9/2014	Miyazaki et al.		EP	001016802-0001	1/2009
D715,794 S	10/2014	Zhou et al.		EP	001098149-0001	4/2009
D717,801 S	11/2014	Rant et al.		EP	001183461-0002	1/2010
D718,271 S	11/2014	McTague et al.		EP	001668781-0001	2/2010
D718,753 S *	12/2014	Akana	D14/248	EP	001694712-0001	4/2010
D721,063 S	1/2015	Chung		HK	1202347-0003	* 9/2013
D721,355 S	1/2015	Chung		IL	53445	* 11/2014
D724,078 S	3/2015	Andre et al.		KR	30-0424148	9/2006
D730,361 S	5/2015	Akana et al.		KR	30-0441230-1	2/2007
D733,146 S	6/2015	Akana et al.		KR	30-0441230-2	8/2007
D742,351 S *	11/2015	Chen	D14/138 G	KR	30-0474260	12/2007
D743,391 S *	11/2015	Akana	D14/341	KR	30-0529167	5/2009
D747,310 S *	1/2016	Akana	D14/341	KR	30-0533504	7/2009
D748,091 S	1/2016	Akana et al.		KR	30-0546031	11/2009
D748,621 S *	2/2016	Akana	D14/341	KR	30-0553546	2/2010
D749,563 S *	2/2016	Akana	D14/341	TW	D106137	8/2005
D750,729 S *	3/2016	Sheikh	D22/117	TW	D123283	6/2008
D752,037 S *	3/2016	Akana	D14/341	TW	D126454	12/2008
D753,101 S *	4/2016	Akana	D14/341	TW	D126838	1/2009
D754,125 S *	4/2016	Akana	D14/341	TW	D126996	4/2009
D760,217 S *	6/2016	Akana	D14/341	TW	D126997	4/2009
D762,207 S *	7/2016	Akana	D14/341	TW	D129176	6/2009
D763,253 S *	8/2016	Akana	D14/341	TW	D131556	10/2009
D766,889 S	9/2016	Akana et al.		TW	D132490	12/2009
D770,411 S *	11/2016	Zhang	D14/138 G	TW	D139493	3/2011
D771,623 S *	11/2016	Akana	D14/341	TW	161465-0001	* 7/2014
D772,865 S *	11/2016	Akana	D14/341	TW	172433-0001	* 12/2015
D773,453 S *	12/2016	Akana	D14/341	TW	181290-0001	* 2/2017
D778,905 S *	2/2017	Akana	D14/341			
D779,484 S *	2/2017	Akana	D14/341			
D783,602 S	4/2017	Akana et al.				
D784,324 S	4/2017	Akana et al.				
D789,927 S *	6/2017	Akana	D14/341			
D790,535 S *	6/2017	Akana	D14/341			
D800,716 S	10/2017	Akana et al.				
D800,718 S *	10/2017	Akana	D14/341			
D803,209 S	11/2017	Akana et al.				
D809,507 S *	2/2018	Akana	D14/341			
D809,508 S *	2/2018	Akana	D14/341			
D812,049 S *	3/2018	Akana	D14/341			
D827,634 S *	9/2018	Akana	D14/341			
D828,350 S *	9/2018	Akana	D14/341			
D835,620 S *	12/2018	Akana	D14/341			
D836,100 S *	12/2018	Akana	D14/341			
D847,809 S	5/2019	Akana et al.				
D864,949 S *	10/2019	Akana	D14/341			
D864,950 S *	10/2019	Akana	D14/341			
D868,058 S *	11/2019	Akana	D14/341			
D868,774 S *	12/2019	Akana	D14/341			
D870,099 S *	12/2019	Akana	D14/341			
D901,487 S *	11/2020	Akana	D14/341			
2004/0242288 A1	12/2004	Balle et al.				
2006/0281501 A1	12/2006	Zuo et al.				
2009/0245564 A1	10/2009	Mittleman et al.				
2009/0247244 A1	10/2009	Mittleman et al.				
2010/0105452 A1	4/2010	Shin et al.				
2012/0088555 A1 *	4/2012	Hu	H04B 1/3883 455/573			
2012/0329535 A1 *	12/2012	Kuo	H04B 1/3816 455/575.8			
2013/0244724 A1 *	9/2013	Monti	H04M 1/0249 455/556.1			
2014/0192467 A1 *	7/2014	Kwong	C30B 31/22 361/679.3			

FOREIGN PATENT DOCUMENTS

AU	332935 S	9/2010
BR	DI7004334-5	12/2011
CL	200801680	6/2008

OTHER PUBLICATIONS

Huawei Ascend P7 officially unveiled, May 7, 2014, [retrieved Jun. 2, 2022], Retrieved from Internet, URL: <<https://www.androidauthority.com/huawei-ascend-p7-specs-features-availability-377636/>> (Year: 2014).*

iPhone 4S Review, Oct. 11, 2011, [retrieved Jun. 2, 2022], Retrieved from Internet, URL: <<https://www.theverge.com/apple/2011/10/12/2484524/iphone-4s-review>> (Year: 2011).*

iPhone 5, Jun. 1, 2012, [retrieved Jun. 2, 2022], Retrieved from Internet, URL: <<https://www.technobuffalo.com/iphone-5-putting-the-leaks-and-rumors-to-the-test>> (Year: 2012).*

iPhone 5 Pictures And Parts Leaked, Jul. 29, 2012, [retrieved Jun. 2, 2022], Retrieved from Internet, URL: <<https://www.slashgear.com/iphone-5-pictures-and-parts-leaked-29240691>> (Year: 2012).*

iPhone 5 with larger display, Mar. 10, 2011, [retrieved Jun. 2, 2022], Retrieved from Internet, URL: <<https://9to5mac.com/2011/03/10/iphone-5-with-larger-display-iphone-4-design-edge-to-edge-screen-leaked-in-engineering-images/>> (Year: 2011).*

iPhone 5S vs iPhone 5, 2013, [retrieved Jun. 2, 2022], Retrieved from Internet, URL: <<https://www.iphoneitalia.com/496280/iphone-5s-vs-iphone-5-simili-ma-diversi-design>> (Year: 2013).*

Is This the iPhone 5?, Mar. 11, 2011, [retrieved Jun. 2, 2022], Retrieved from Internet, URL: <<https://www.fastcompany.com/1737641/iphone-5>> (Year: 2011).*

Lava Iris X1 Grand Review, Feb. 6, 2015, [retrieved Jun. 2, 2022], Retrieved from Internet, URL: <<https://www.themobileindian.com/reviews/lava-iris-x1-grand-review-except-resolution-everything-is-fine-1223>> (Year: 2015).*

iPhone 4 unveiled, Jun. 7, 2010, [retrieved Jun. 2, 2022], Retrieved from Internet, URL: <<https://www.youtube.com/watch?v=wn3OC1cE8ds>> (Year: 2010).*

New iPhone 5 Leaked, May 29, 2012, [retrieved Jun. 2, 2022], Retrieved from Internet, URL: <<https://www.youtube.com/watch?v=olwdlHhgUoA>> (Year: 2012).*

* cited by examiner

Primary Examiner — Barbara Fox
Assistant Examiner — Aram Kwon
(74) *Attorney, Agent, or Firm* — Sterne, Kessler,
Goldstein & Fox P.L.L.C.

(57) **CLAIM**

The ornamental design for an electronic device, as shown and described.

DESCRIPTION

FIG. 1 is a bottom front perspective view of an electronic device showing the claimed design;
FIG. 2 is a bottom rear perspective view thereof;
FIG. 3 is a top front perspective view thereof;
FIG. 4 is a top rear perspective view thereof;
FIG. 5 is a front view thereof;
FIG. 6 is a rear view thereof;
FIG. 7 is a top view thereof;
FIG. 8 is a bottom view thereof;
FIG. 9 is a left side view thereof; and,
FIG. 10 is a right side view thereof.
The broken lines in the figures show portions of the electronic device that form no part of the claimed design.

1 Claim, 10 Drawing Sheets

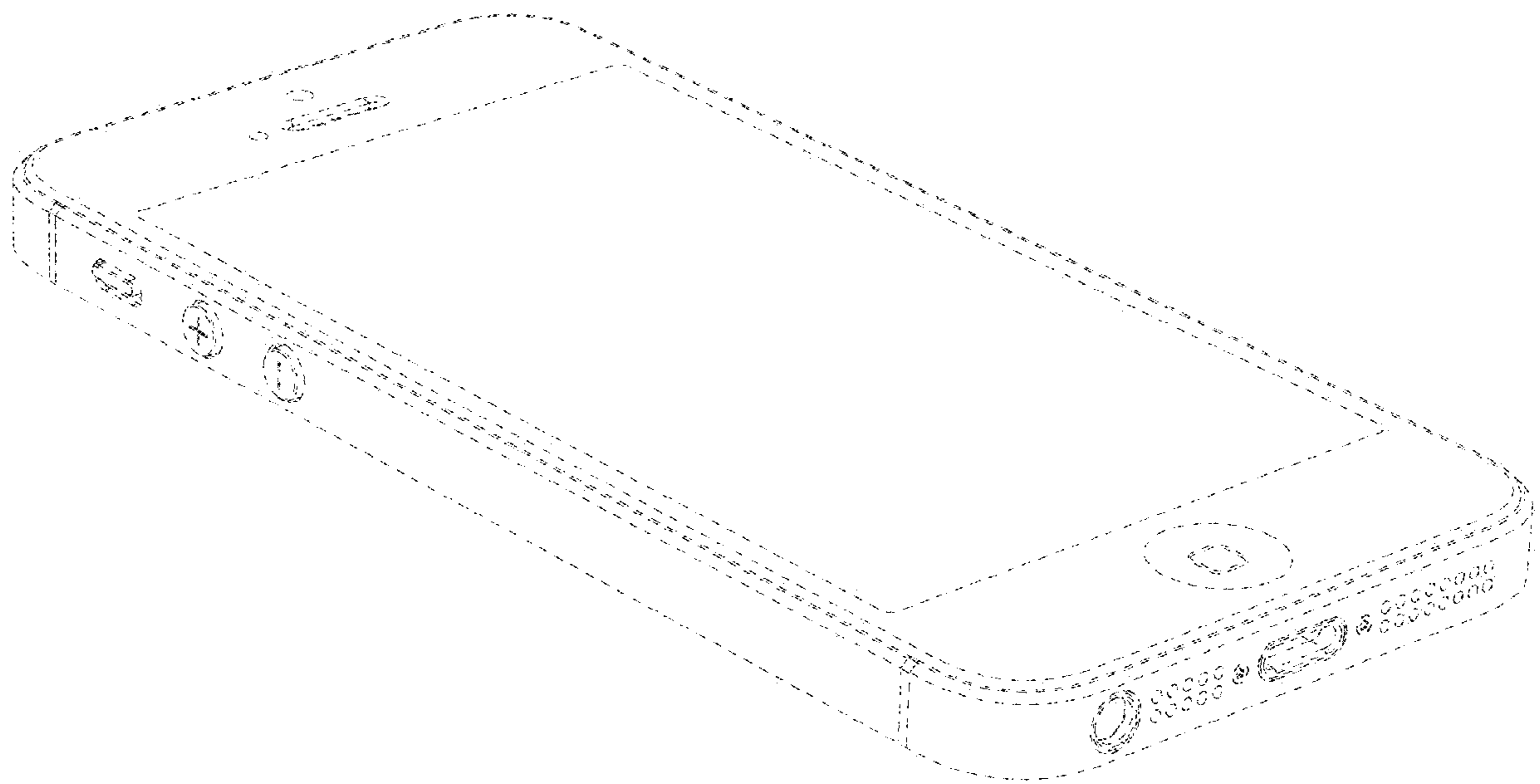


FIG. 1

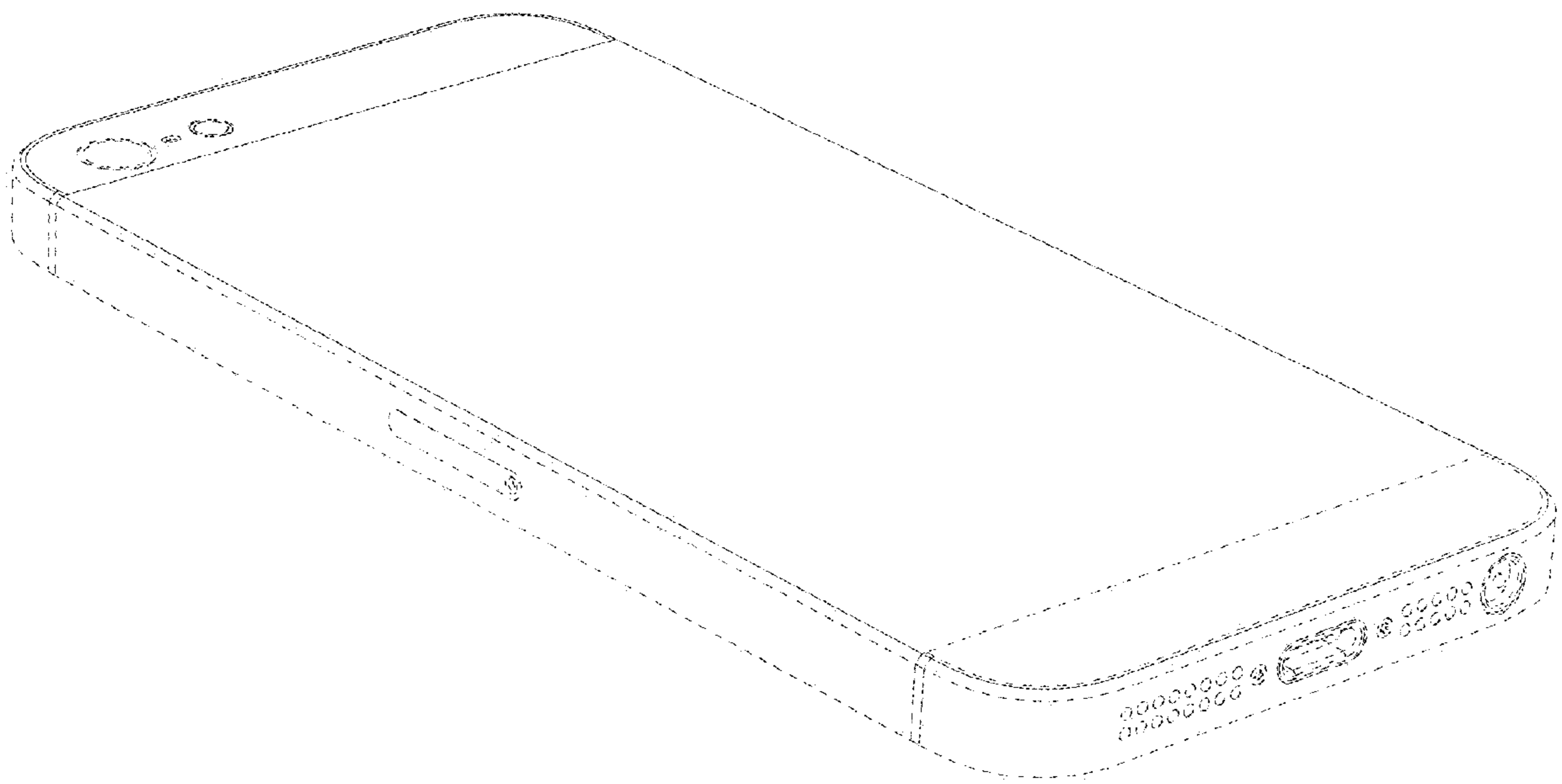


FIG. 2

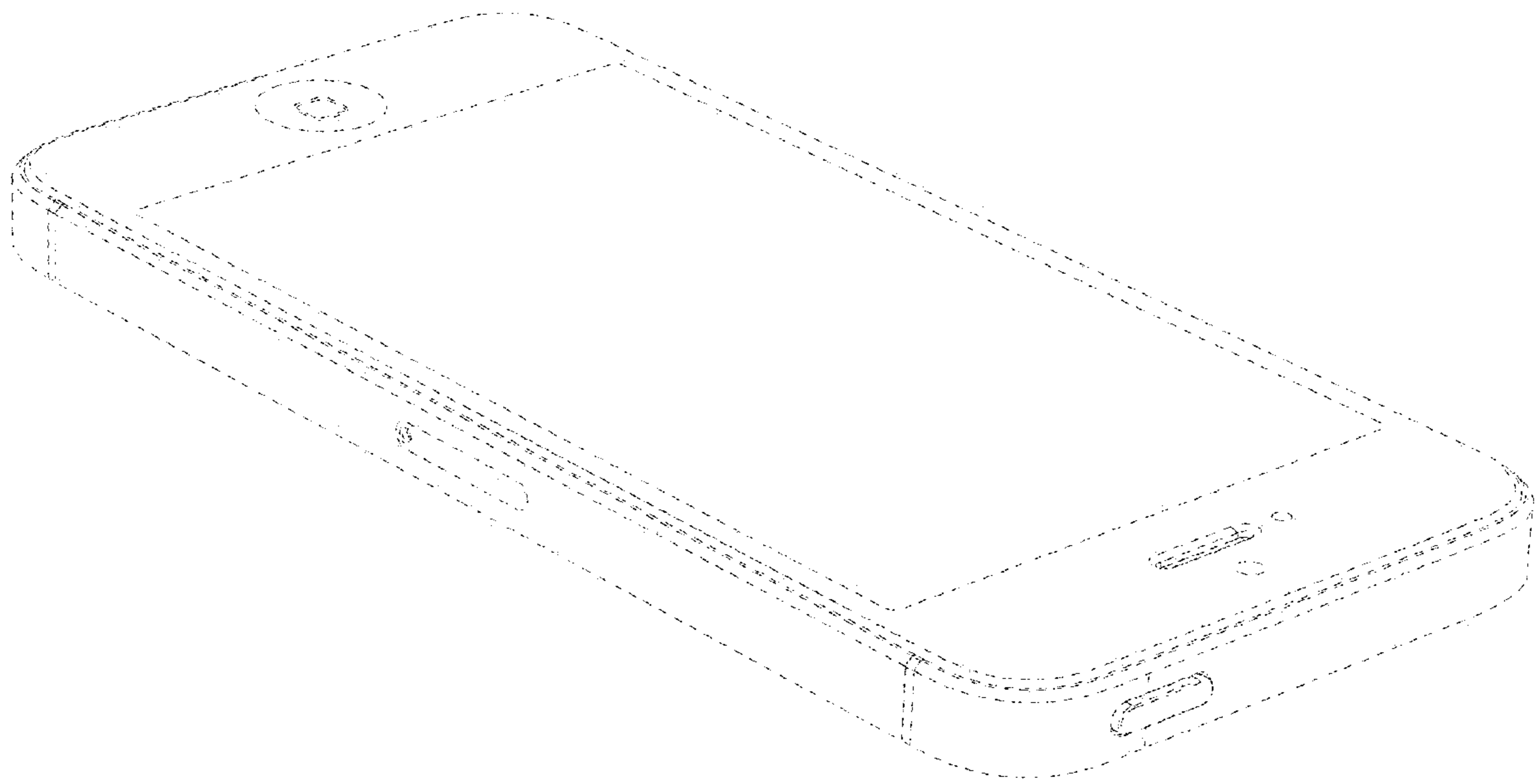


FIG. 3

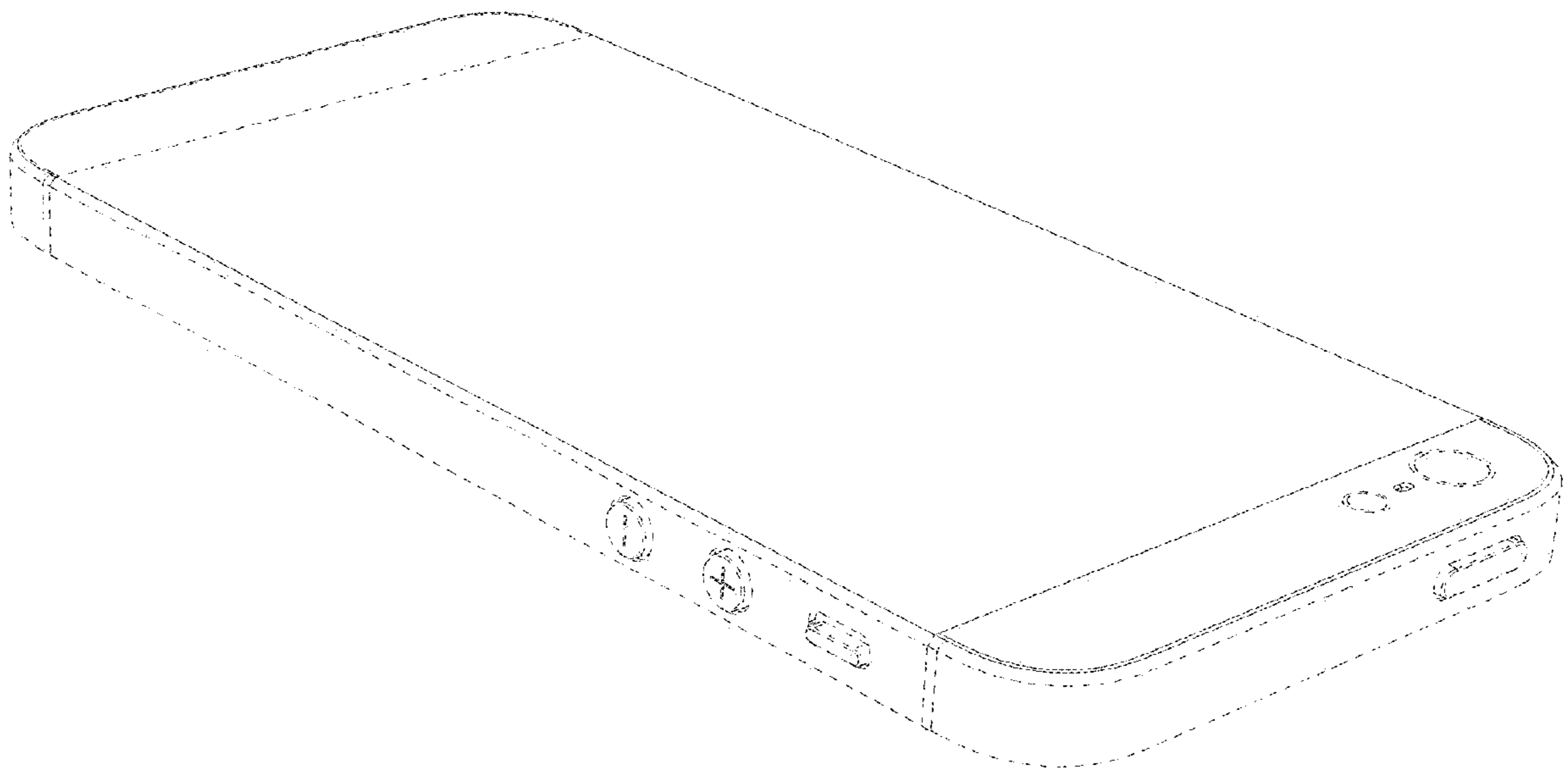


FIG. 4

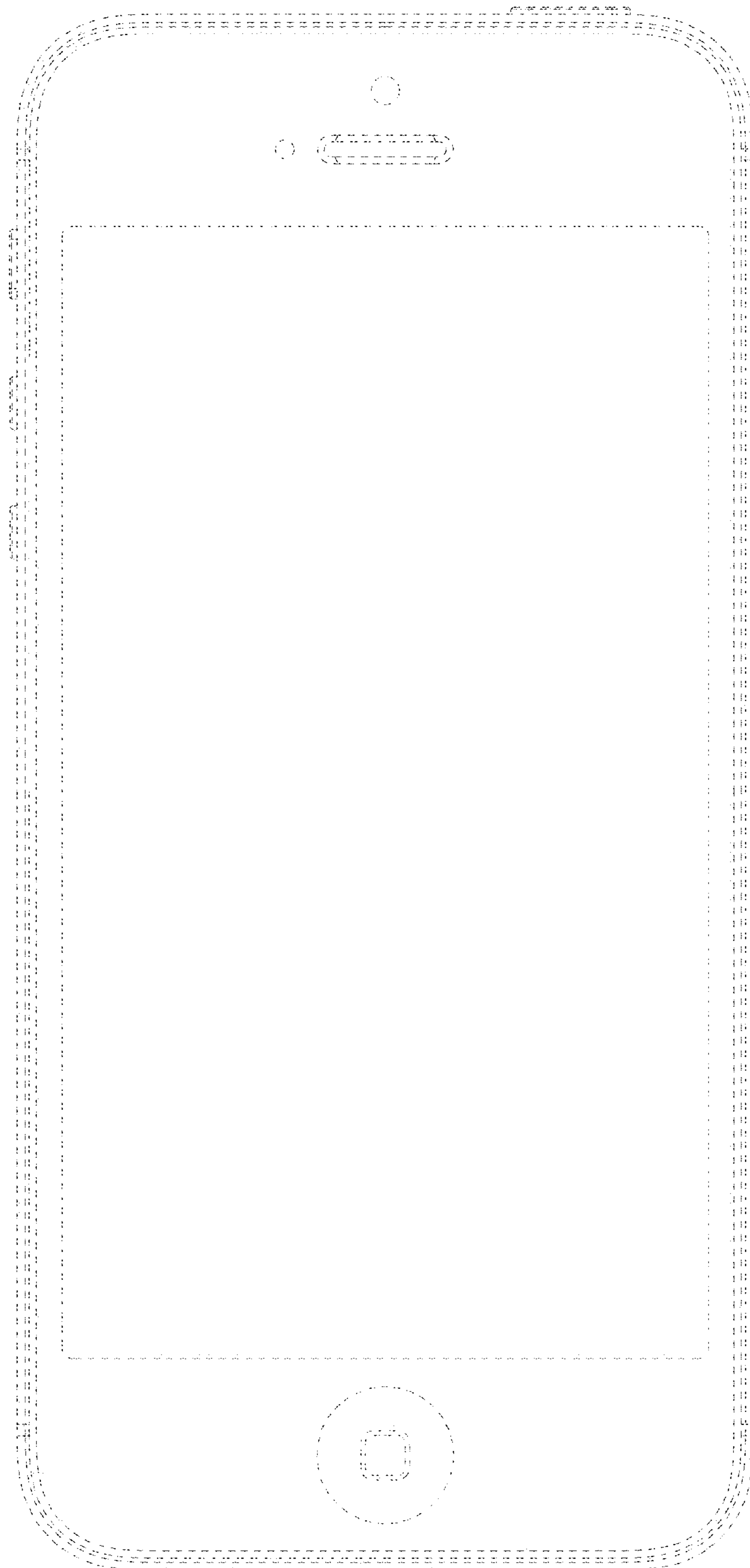


FIG. 5

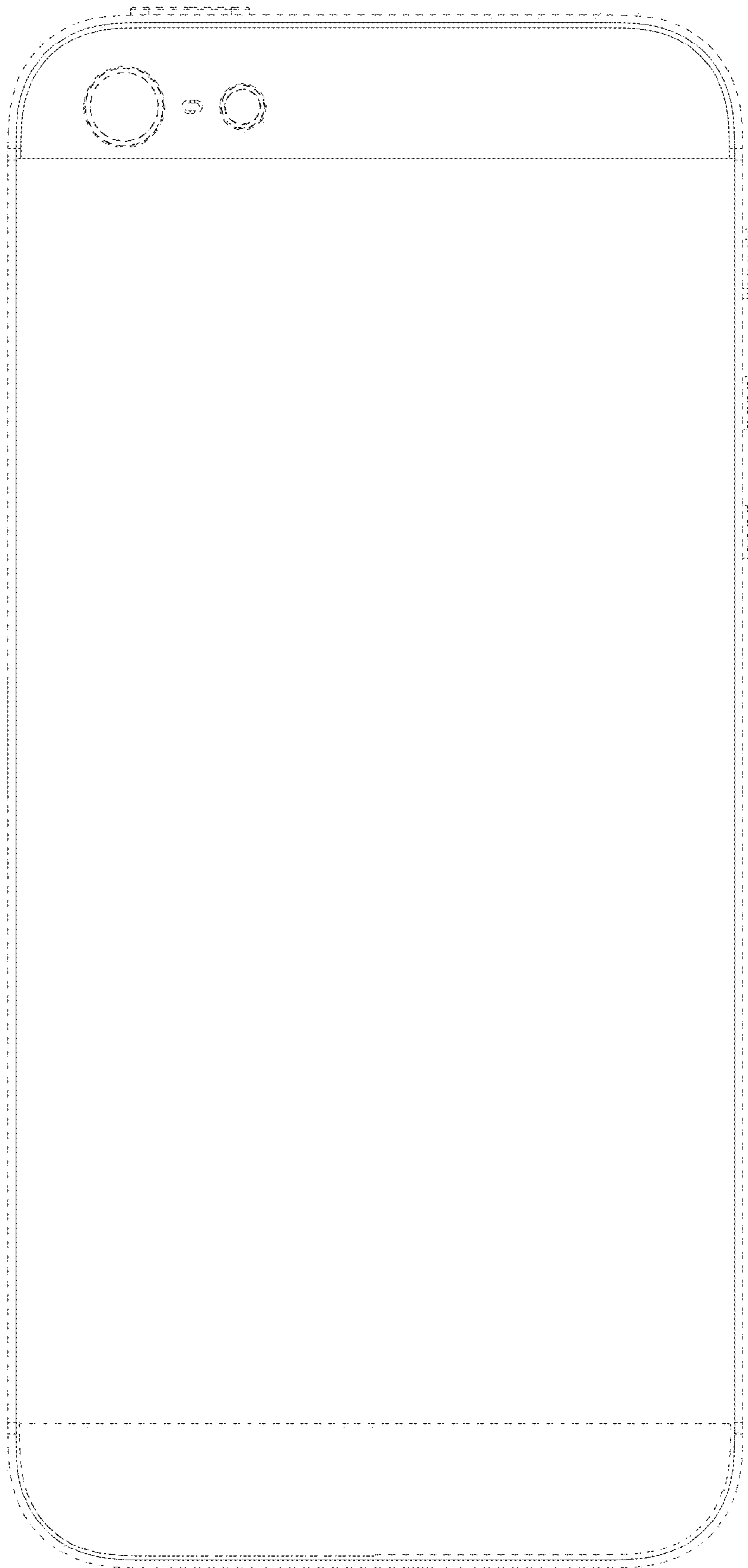


FIG. 6

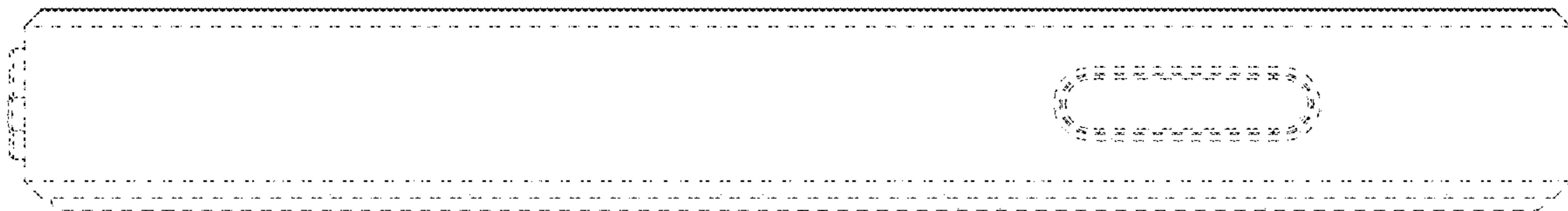


FIG. 7

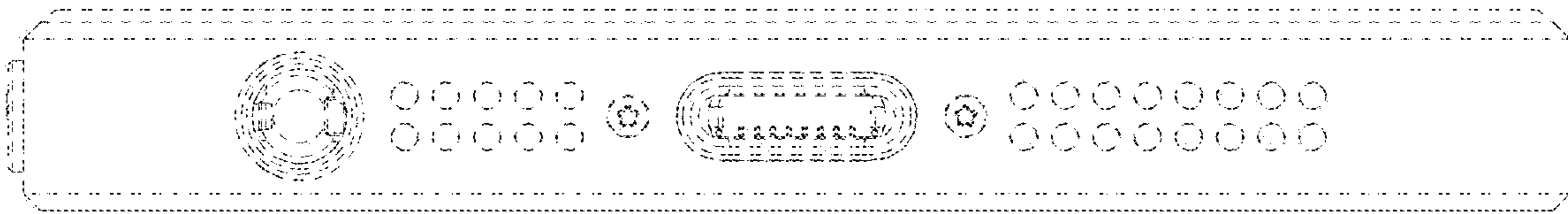


FIG. 8

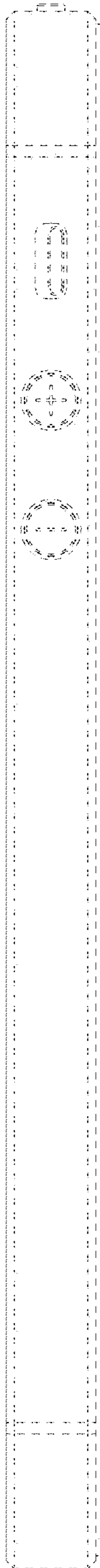


FIG. 9

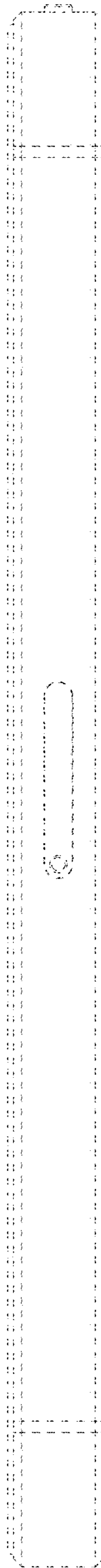


FIG. 10