



US00D964347S

(12) **United States Design Patent**
McKenna et al.

(10) **Patent No.:** **US D964,347 S**
(45) **Date of Patent:** **** Sep. 20, 2022**

(54) **DESK MANAGEMENT DEVICE**

(71) Applicant: **Steelcase Inc.**, Grand Rapids, MI (US)

(72) Inventors: **Mark McKenna**, East Grand Rapids, MI (US); **James Owen**, Portland, OR (US)

(73) Assignee: **Steelcase Inc.**, Grand Rapids, MI (US)

(**) Term: **15 Years**

(21) Appl. No.: **29/809,497**

(22) Filed: **Sep. 28, 2021**

(51) **LOC (13) Cl.** **14-02**

(52) **U.S. Cl.**
USPC **D14/336**

(58) **Field of Classification Search**
USPC D14/125, 126, 127, 128, 129, 341, 336,
D14/337, 371, 372, 373, 374, 375, 376,
D14/377

CPC G06F 1/1601; G06F 1/1605; G06F 1/162
See application file for complete search history.

(56) **References Cited**

U.S. PATENT DOCUMENTS

D174,109 S	3/1955	Budlong	
D183,782 S	10/1958	Winkler et al.	
D265,825 S	8/1982	Brion	
D294,262 S	2/1988	Thies et al.	
D305,647 S	1/1990	Kato et al.	
D353,805 S	12/1994	Lewis	
D386,158 S	11/1997	Rosen	
D396,217 S *	7/1998	Suzuki	D14/336
6,343,006 B1	1/2002	Moscovitch et al.	
D491,541 S	6/2004	Kubota	
D492,684 S	7/2004	Ozolins et al.	
D497,364 S	10/2004	Ozolins et al.	
D500,037 S	12/2004	Ozolins et al.	
D504,889 S	5/2005	Andre et al.	

(Continued)

FOREIGN PATENT DOCUMENTS

CN	304864846	* 10/2018
JP	D1270243	* 5/2006
JP	D1329013	* 5/2008

OTHER PUBLICATIONS

Amazon. Link: https://www.amazon.com/Meeting-HQ-Device-Computer-Microsoft/dp/B09QV9TDMC/ref=sr_1_1?crd=204NXTXGX1ZRU&keywords=B09QV9TDMC&qid=1651844264&s=electronics&sprefix=b09qv9tdmc%2Celectronics%2C66&sr=1-1&th=1. Jan. 20, 2022. Owl Labs Meeting HQ Device. (Year: 2022).*

(Continued)

Primary Examiner — Lauren D McVey

(74) *Attorney, Agent, or Firm* — Quarles & Brady LLP

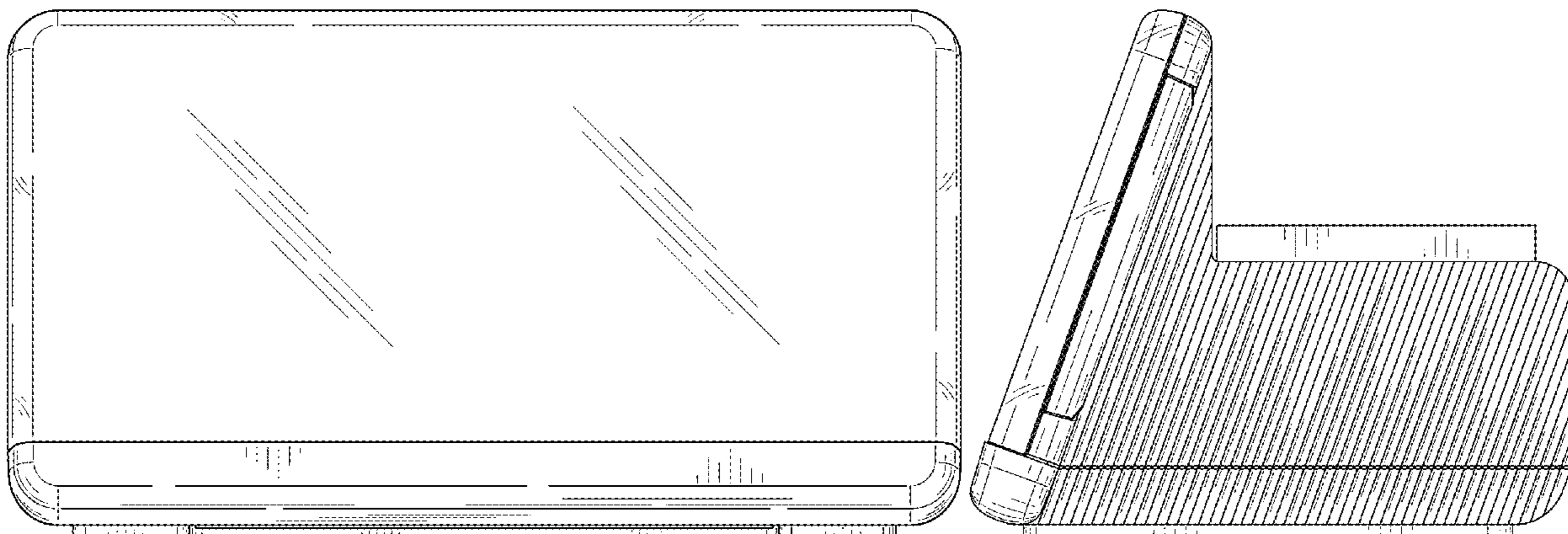
(57) **CLAIM**

The ornamental design for a desk management device, as shown and described.

DESCRIPTION

FIG. 1 is an isometric view of a top, front, and right side of an ornamental design for a desk management device; FIG. 2 is an isometric view of a bottom, rear, and left side of the desk management device of FIG. 1; FIG. 3 is a front elevational view of the desk management device of FIG. 1; FIG. 4 is a rear elevational view of the desk management device of FIG. 1; FIG. 5 is a right side elevational view of the desk management device of FIG. 1; FIG. 6 is a left side elevational view of the desk management device of FIG. 1; FIG. 7 is a top plan view of the desk management device of FIG. 1; and, FIG. 8 is a bottom plan view of the desk management device of FIG. 1.

(Continued)



The dash-dash-dash lines are included for the purpose of illustrating portions of the desk management device that form no part of the claimed design.

1 Claim, 5 Drawing Sheets

(56)

References Cited

U.S. PATENT DOCUMENTS

6,919,678	B2	7/2005	Ozolins et al.
D526,286	S	8/2006	Anzures
D526,999	S	8/2006	Tago
D531,595	S	11/2006	Nakata
D531,631	S	11/2006	Andre et al.
D533,525	S	12/2006	Arie
D541,799	S	5/2007	Andre et al.
D548,205	S	8/2007	Kim et al.
7,298,076	B2	11/2007	Ozolins et al.
D569,818	S	5/2008	Kim et al.
D578,495	S	10/2008	Yokota
D595,294	S	6/2009	Woodward et al.
D598,917	S	8/2009	Luber
D600,696	S	9/2009	Andre et al.
D604,733	S	11/2009	Andre et al.
D609,705	S	2/2010	Andre et al.
D619,572	S	7/2010	Huang
D621,824	S	8/2010	Andre et al.
D623,156	S	9/2010	Kasuga et al.
D624,893	S	10/2010	Kasuga et al.
D627,777	S	11/2010	Akana et al.
7,859,181	B2	12/2010	Ozolins et al.
D630,210	S	1/2011	Andre et al.
D631,031	S	1/2011	Chen et al.
D634,316	S	3/2011	Van Den Nieuwenhuizen

D636,769	S	4/2011	Wood et al.
D637,596	S	5/2011	Akana et al.
D649,967	S	12/2011	Chiu
D655,291	S	3/2012	Scheper et al.
D659,692	S	5/2012	Jung et al.
D667,399	S	9/2012	Koh
D669,069	S	10/2012	Akana et al.
D669,469	S	10/2012	Kang
D669,470	S	10/2012	Zha et al.
D670,286	S	11/2012	Akana et al.
D672,344	S	12/2012	Li
D680,108	S *	4/2013	Kumagai D14/336
D693,607	S *	11/2013	Johnson D6/672
D699,719	S	2/2014	Akana et al.
D701,502	S	3/2014	Akana et al.
D702,658	S *	4/2014	Kim D14/126
D704,702	S	5/2014	Akana et al.
D705,223	S	5/2014	Akana et al.
D722,986	S	2/2015	Zwier et al.
D774,485	S *	12/2016	Kano D14/126
D871,500	S *	12/2019	Balar D18/4.5
D899,389	S *	10/2020	Park D14/126
D905,249	S *	12/2020	He D24/185
D929,988	S *	9/2021	Carlson D14/336
D941,816	S *	1/2022	Benedikter D14/371
D941,819	S *	1/2022	Benedikter D14/374
D944,245	S *	2/2022	Benedikter D14/371
2011/0075065	A1	3/2011	Ozolins et al.
2013/0320177	A1 *	12/2013	Chen F16M 11/22 248/371

OTHER PUBLICATIONS

KVSIO. Link: <http://m.kvsio.com/countertopkiosk/85-83.html>. Visited May 6, 2022. NPL_KVSIO Intl Group Co., Ltd_Desktop Self-scanning kiosk—Countertop Kiosk. (Year: 2022).*

* cited by examiner

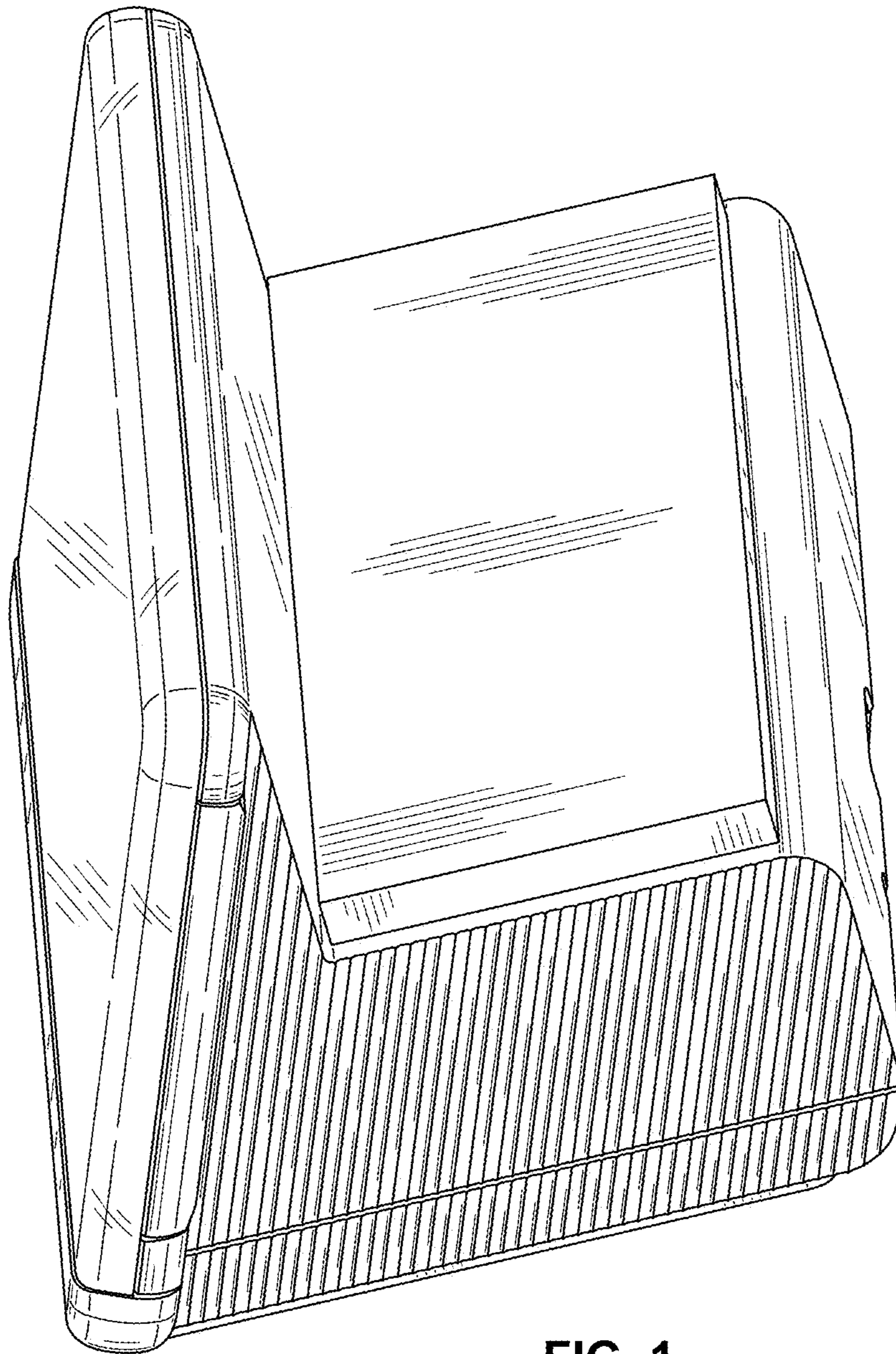


FIG. 1

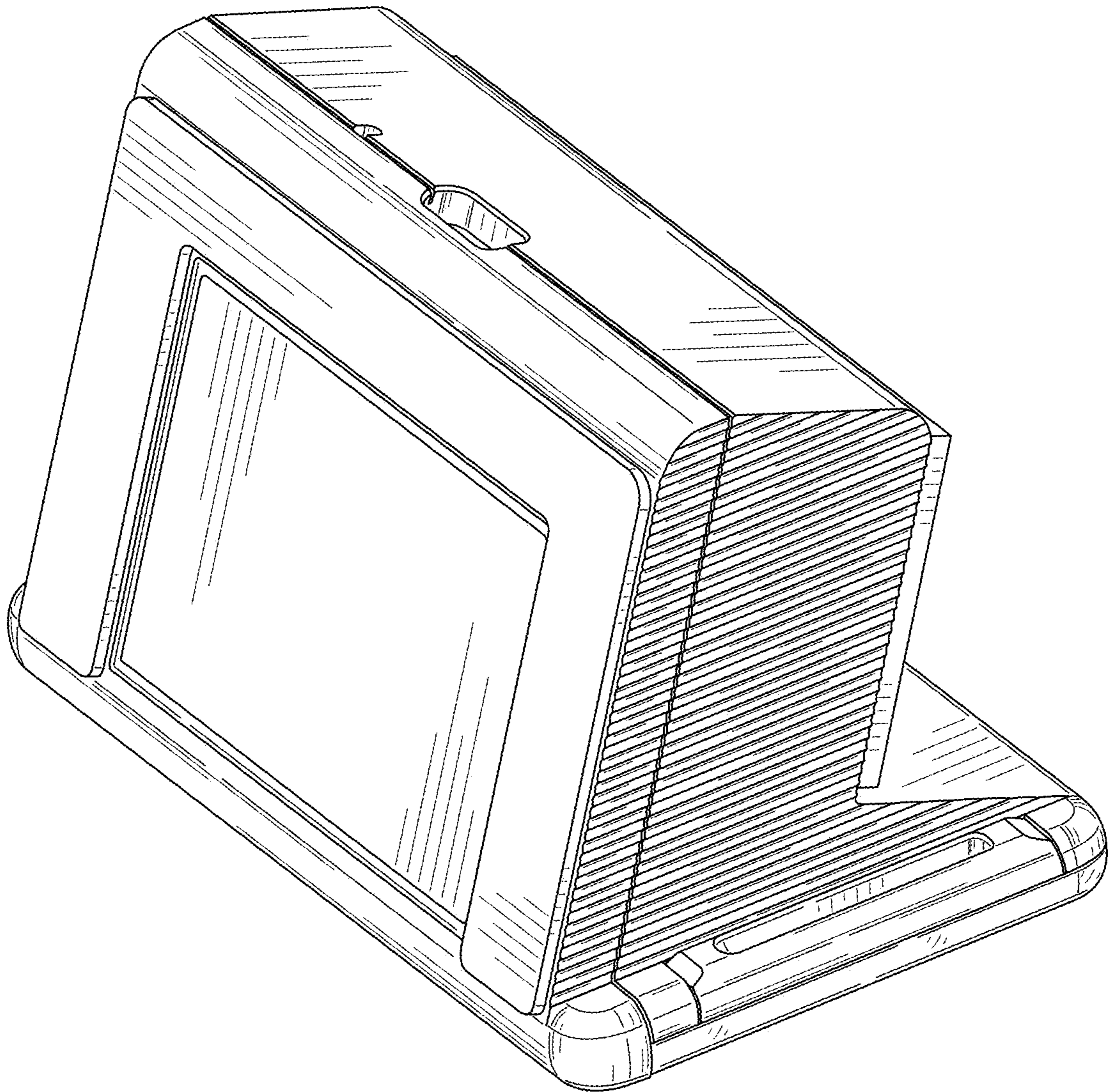


FIG. 2

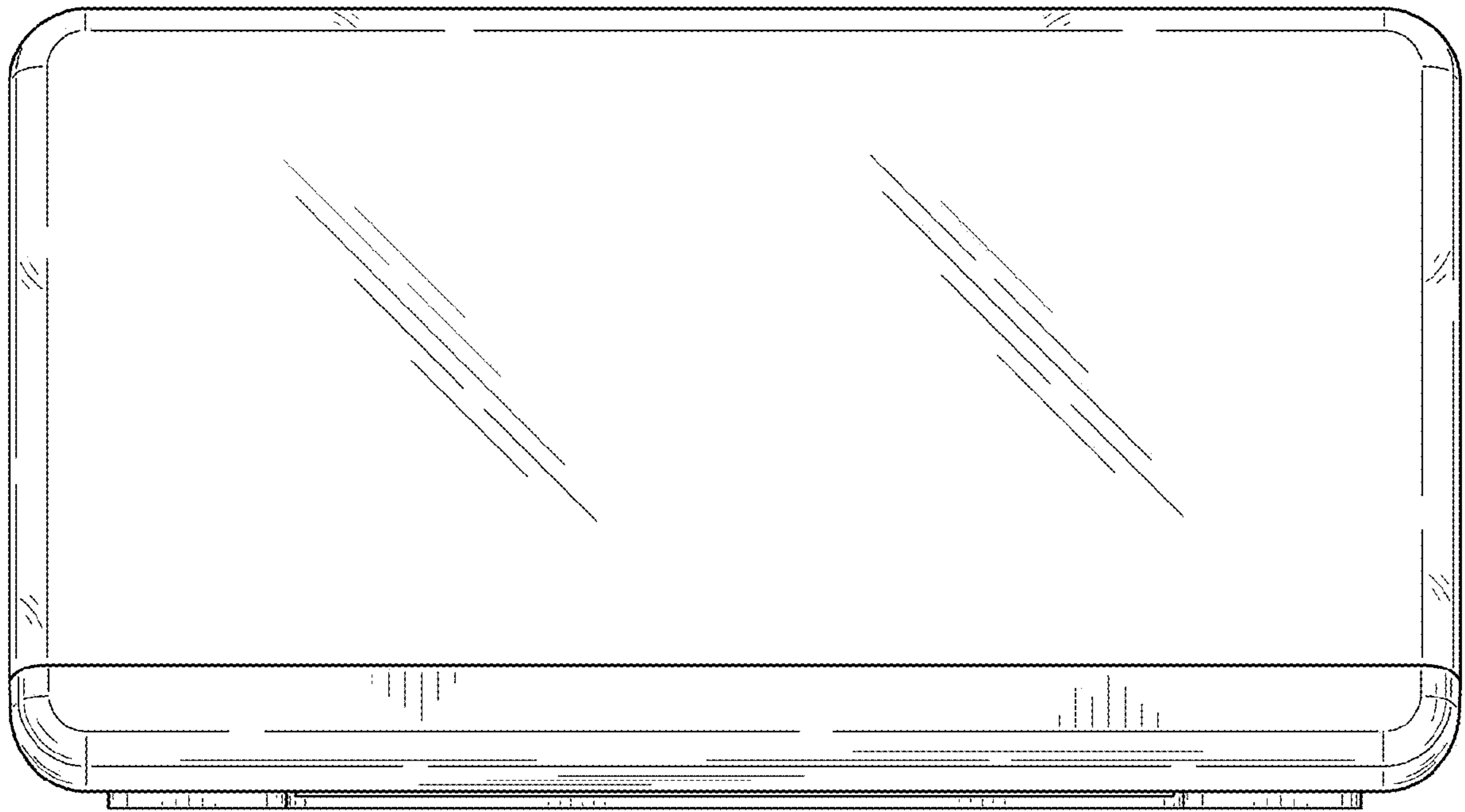


FIG. 3

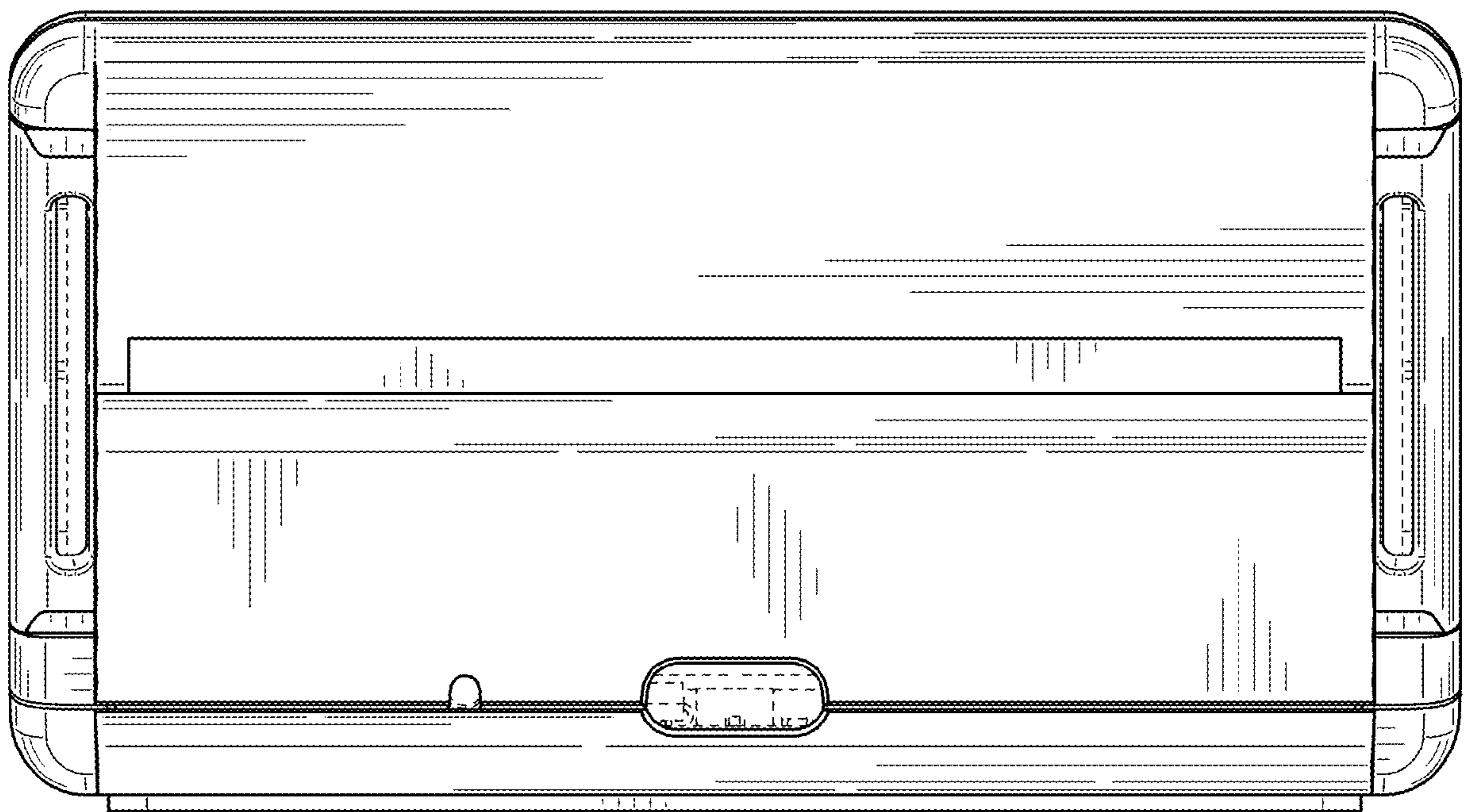


FIG. 4

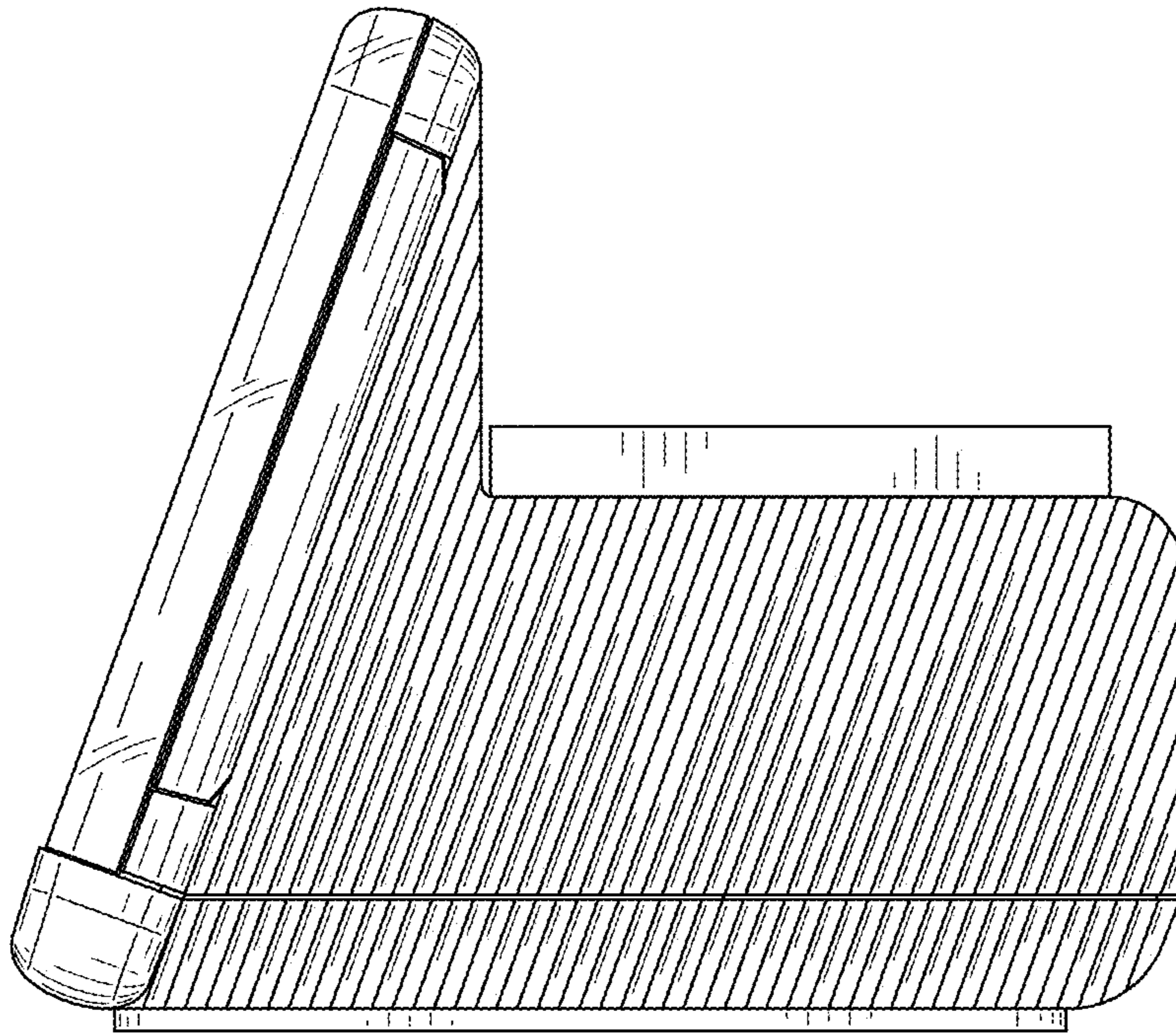


FIG. 5

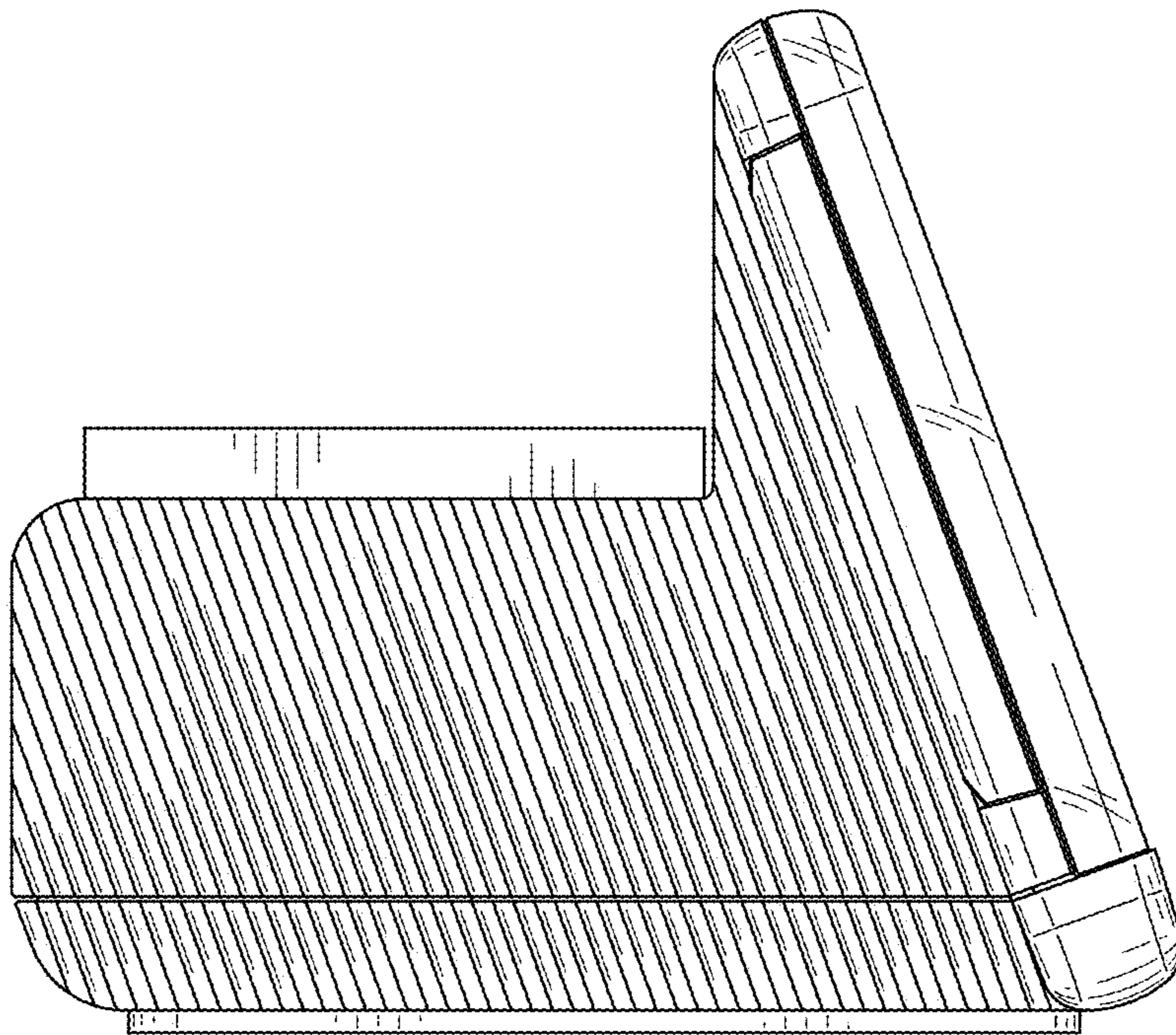


FIG. 6

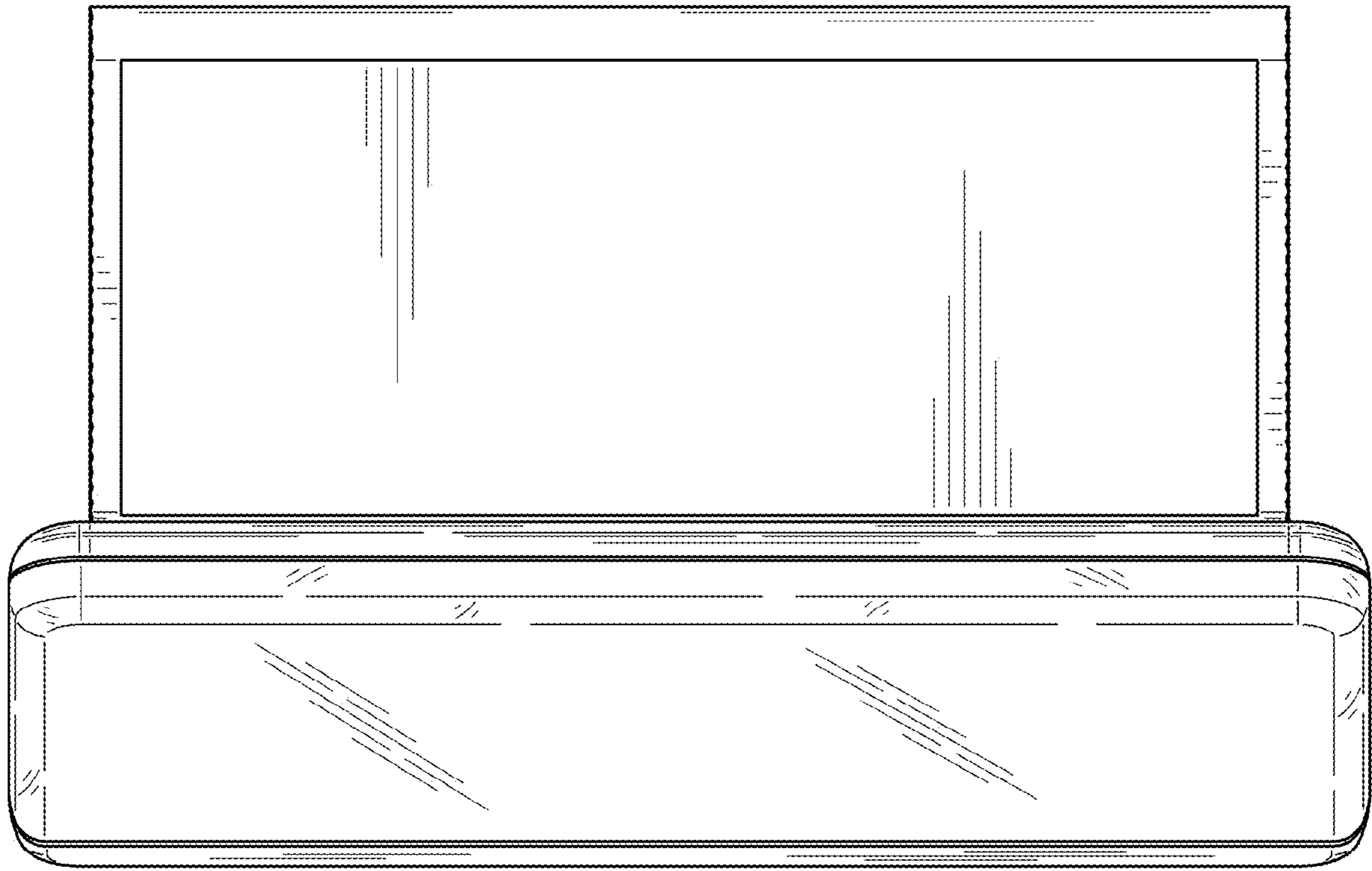


FIG. 7

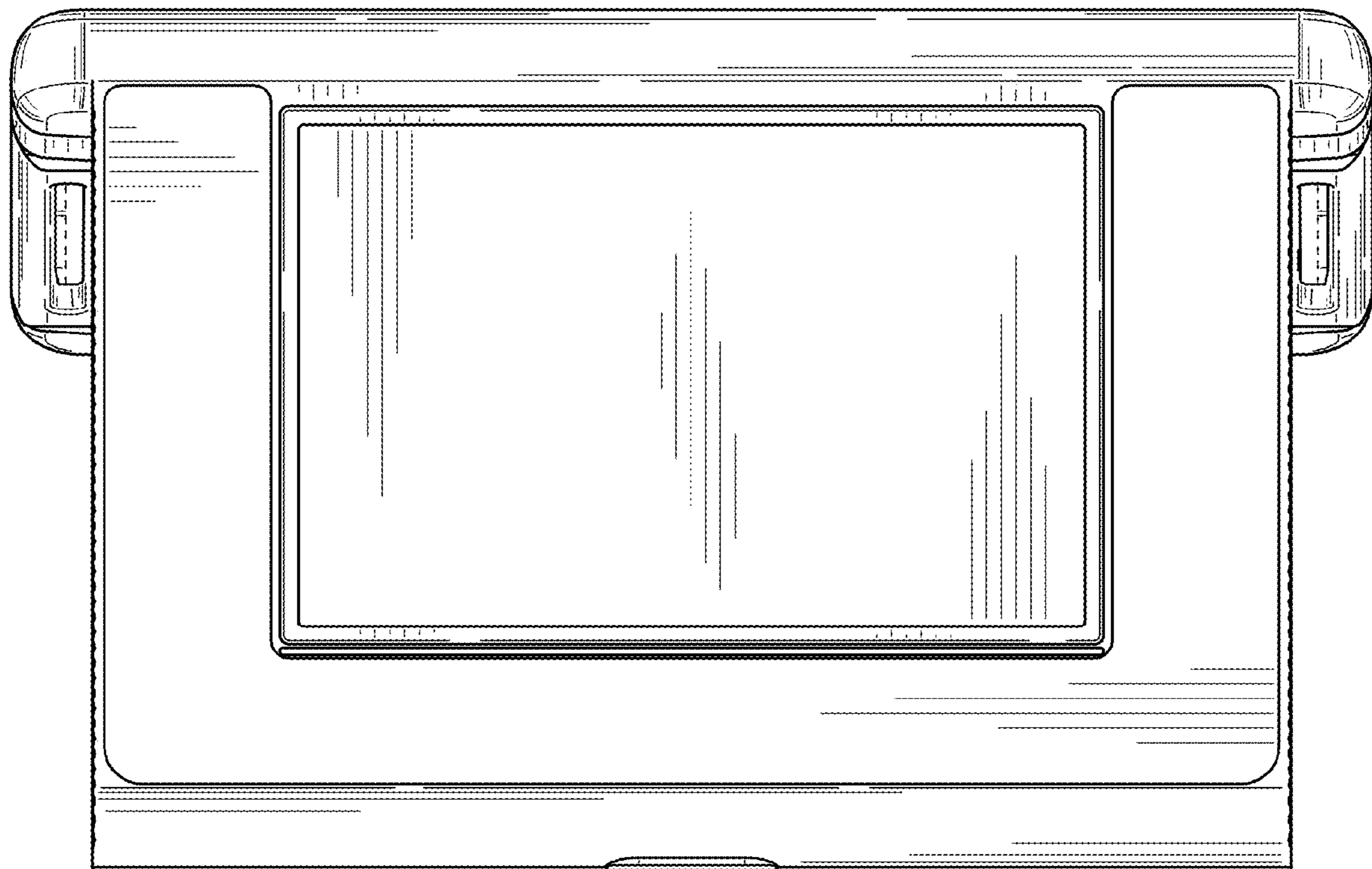


FIG. 8