



US00D964343S

(12) **United States Design Patent** (10) **Patent No.:** **US D964,343 S**  
**Nguyen** (45) **Date of Patent:** **\*\* Sep. 20, 2022**

(54) **HOLDER FOR ELECTRONIC DEVICES**  
(71) Applicant: **DesignNest B.V.**, Breukelen (NL)  
(72) Inventor: **Thi Hong Ha Nguyen**, Breukelen (NL)  
(73) Assignee: **DesignNest B.V.**, Breukelen (NL)  
(\*\*) Term: **15 Years**

D544,218 S \* 6/2007 Schelert ..... D6/300  
7,861,995 B2 \* 1/2011 Liou ..... F16M 11/105  
248/454  
D677,260 S \* 3/2013 Hong ..... D14/447  
D761,265 S \* 7/2016 Hung ..... D14/447  
D863,291 S \* 10/2019 Shi ..... D14/253  
D869,466 S \* 12/2019 Chu ..... D14/434  
D881,199 S \* 4/2020 Sheng ..... D14/447  
D895,600 S \* 9/2020 Lancet ..... D14/253  
D902,194 S \* 11/2020 Gluck ..... D3/249

(Continued)

(21) Appl. No.: **35/510,731**  
(22) Filed: **May 12, 2020**

**OTHER PUBLICATIONS**

(80) **Hague Agreement Data**  
Int. Filing Date: **May 12, 2020**  
Int. Reg. No.: **DM/208609**  
Int. Reg. Date: **May 12, 2020**  
Int. Reg. Pub. Date: **Nov. 13, 2020**

DesignNest Foldstand for Phone, publication date Dec. 17, 2019,  
[online] URL: <https://www.youtube.com/watch?v=VQMK9WB-gS4> (Year: 2019).\*

(Continued)

(51) **LOC (13) Cl.** ..... **14-03**  
(52) **U.S. Cl.**

*Primary Examiner* — L. A. Grabenstetter  
(74) *Attorney, Agent, or Firm* — Barnes & Thornburg LLP

USPC ..... **D14/253**; D14/447  
(58) **Field of Classification Search**  
USPC ..... D3/201, 218, 226, 227, 269, 303, 248,  
D3/249, 250; D14/217, 238.1, 240, 247,  
D14/248, 250–253, 434, 440, 447, 496;  
D6/300, 678

(57) **CLAIM**

The ornamental design for a holder for electronic devices, as shown and described.

CPC ..... H04B 1/3888; H04M 1/0283; H04M  
1/0202; A45C 1/06; A45C 2011/002;  
A45C 11/00; A45F 2005/028; A45F  
2200/0525  
See application file for complete search history.

**DESCRIPTION**

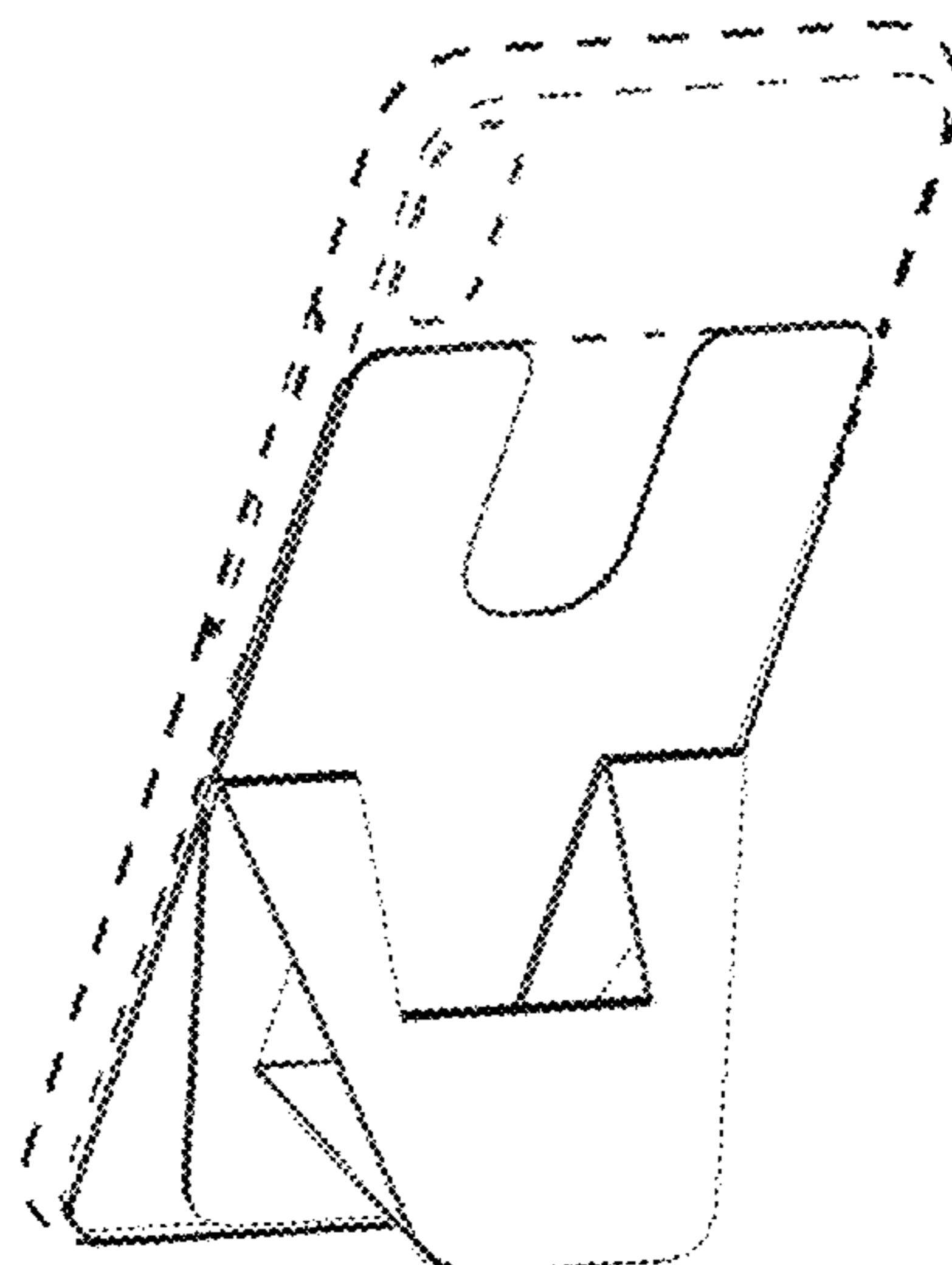
(56) **References Cited**

**U.S. PATENT DOCUMENTS**

175,822 A \* 4/1876 Conlan ..... A45C 1/06  
D3/250  
1,404,204 A \* 1/1922 Heinz ..... A47G 1/141  
248/459  
D270,303 S \* 8/1983 Zautner ..... D3/249  
D385,417 S \* 10/1997 White ..... D3/249  
6,382,581 B1 \* 5/2002 Duff ..... A47B 97/08  
248/459

1.-4. Holder for electronic devices  
2. **2.1** is a rear perspective view of a holder for electronic devices, showing our new design, in an unfolded position, shown in a condition of use;  
**2.2** is a side view thereof, shown in an unfolded position;  
**2.3** is a rear view thereof, shown in an unfolded position;  
**2.4** is a rear view thereof, shown in a folded position;  
**2.5** is a side view thereof, shown in a folded position; and  
**2.6** is a top view thereof, shown in a folded position.  
3. The broken lines depict portions of the holder for electronic devices that form no part of the claimed design. The broken lines in reproduction **2.1** depicting an electronic device are included for the purpose of illustrating a condition of use and form no part of the claimed design.

**1 Claim, 6 Drawing Sheets**



(56)

**References Cited**

U.S. PATENT DOCUMENTS

2018/0078068 A1\* 3/2018 Cronin ..... B65D 5/5206  
2020/0060420 A1\* 2/2020 Hu ..... A47B 23/043

OTHER PUBLICATIONS

Review: StandEazy Phone stand, publication date Nov. 16, 2014,  
[online] URL: <https://www.youtube.com/watch?v=oQ7RvqPURTw>  
(Year: 2014).\*

Designroom Mobile Phone Holder, publication date Feb. 11, 2014,  
[online] URL: <https://www.behance.net/gallery/14459585/Mobile-Phone-Holder>  
(Year: 2014).\*

Finchtail by Believe in, tablet stand, publication date Apr. 23, 2015,  
[online] URL: <https://bpando.org/2015/04/23/packaging-finchtail/>  
(Year: 2015).\*

Ergonomic Invisible Phone Stand from MOFT, publication date  
Oct. 17, 2019, [online] URL: <https://www.yankodesign.com/2019/10/17/ergonomic-invisible-phone-stand-that-increases-productivity-is-real-and-its-here/>  
(Year: 2019).\*

\* cited by examiner

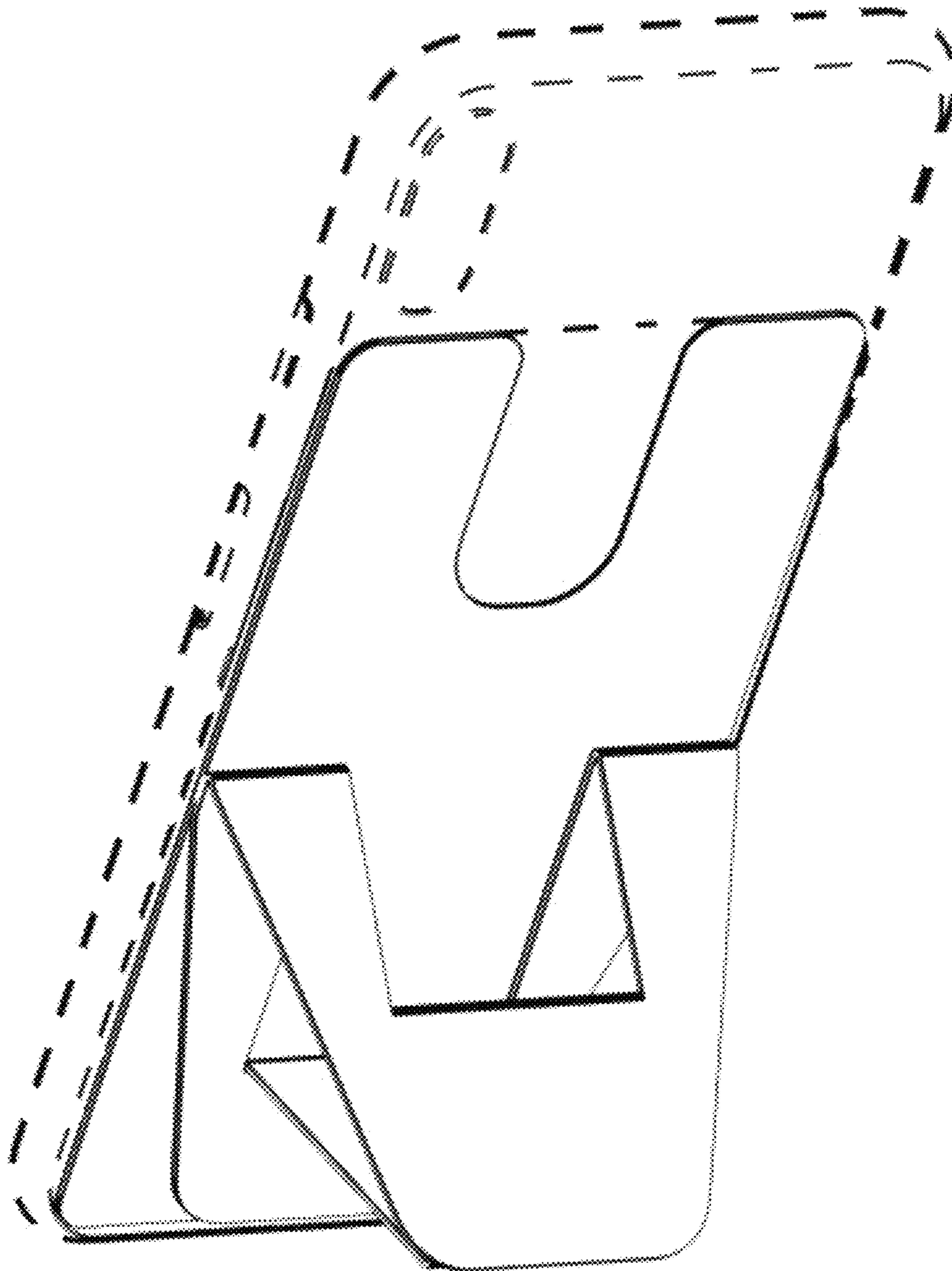
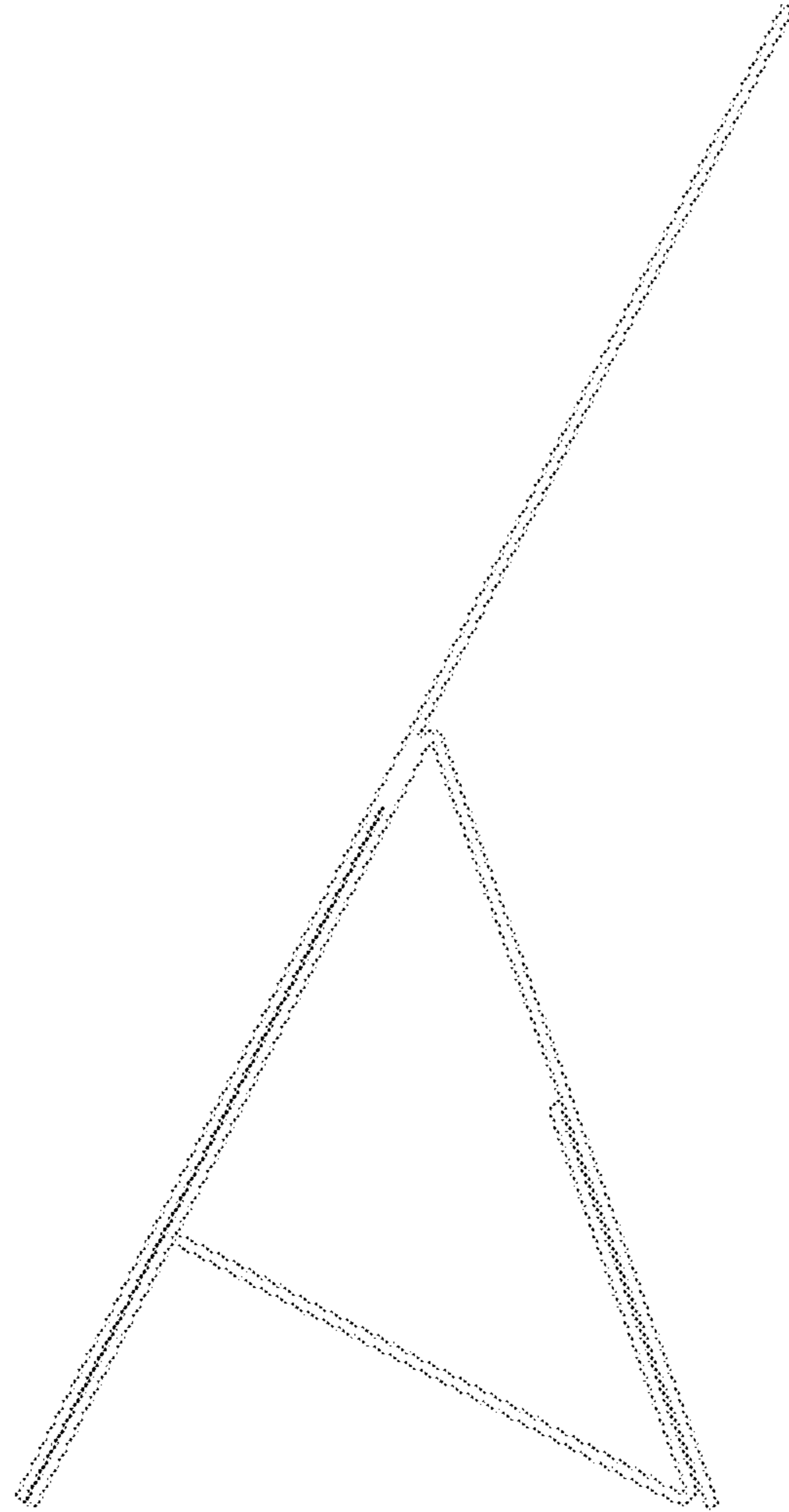
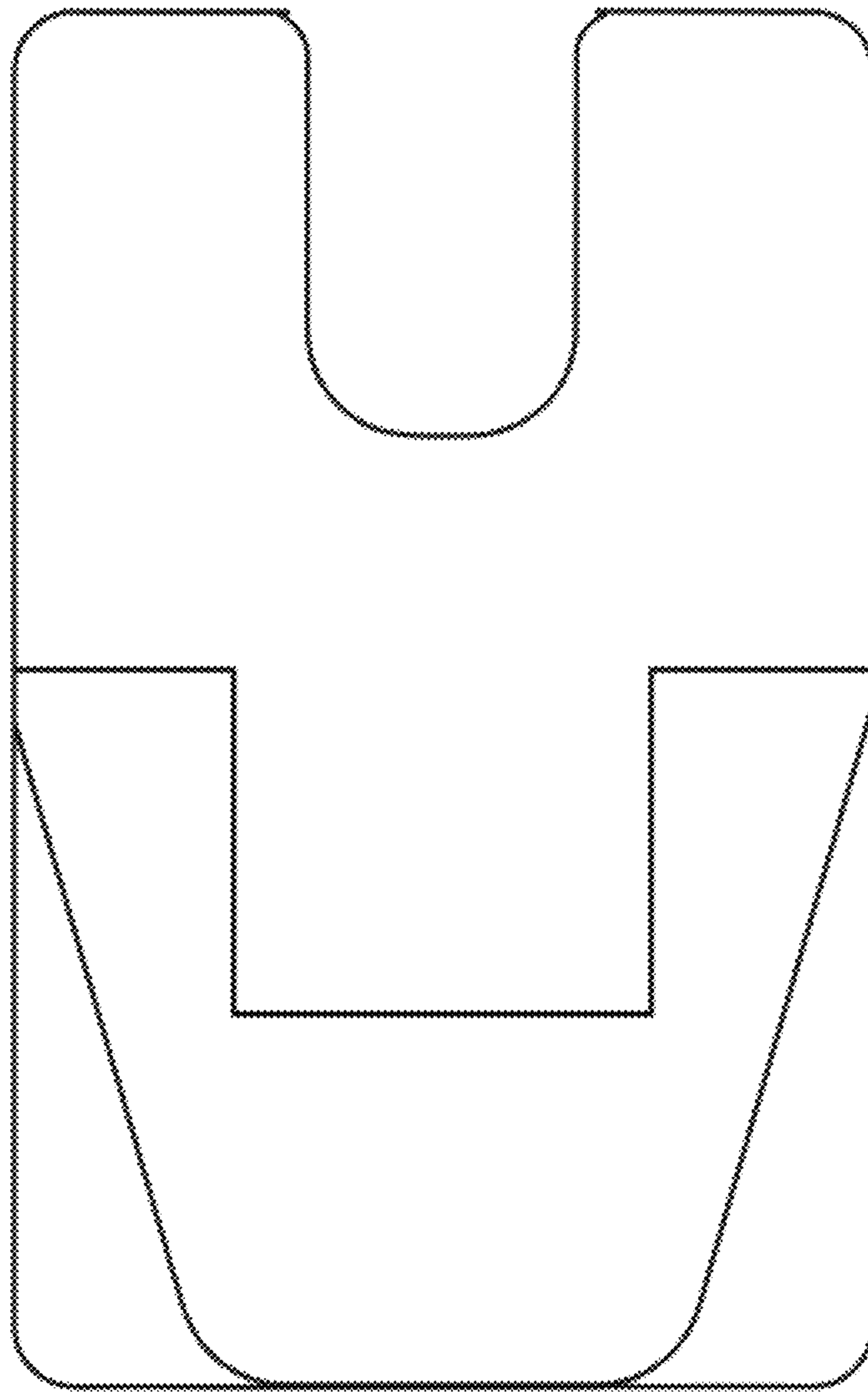


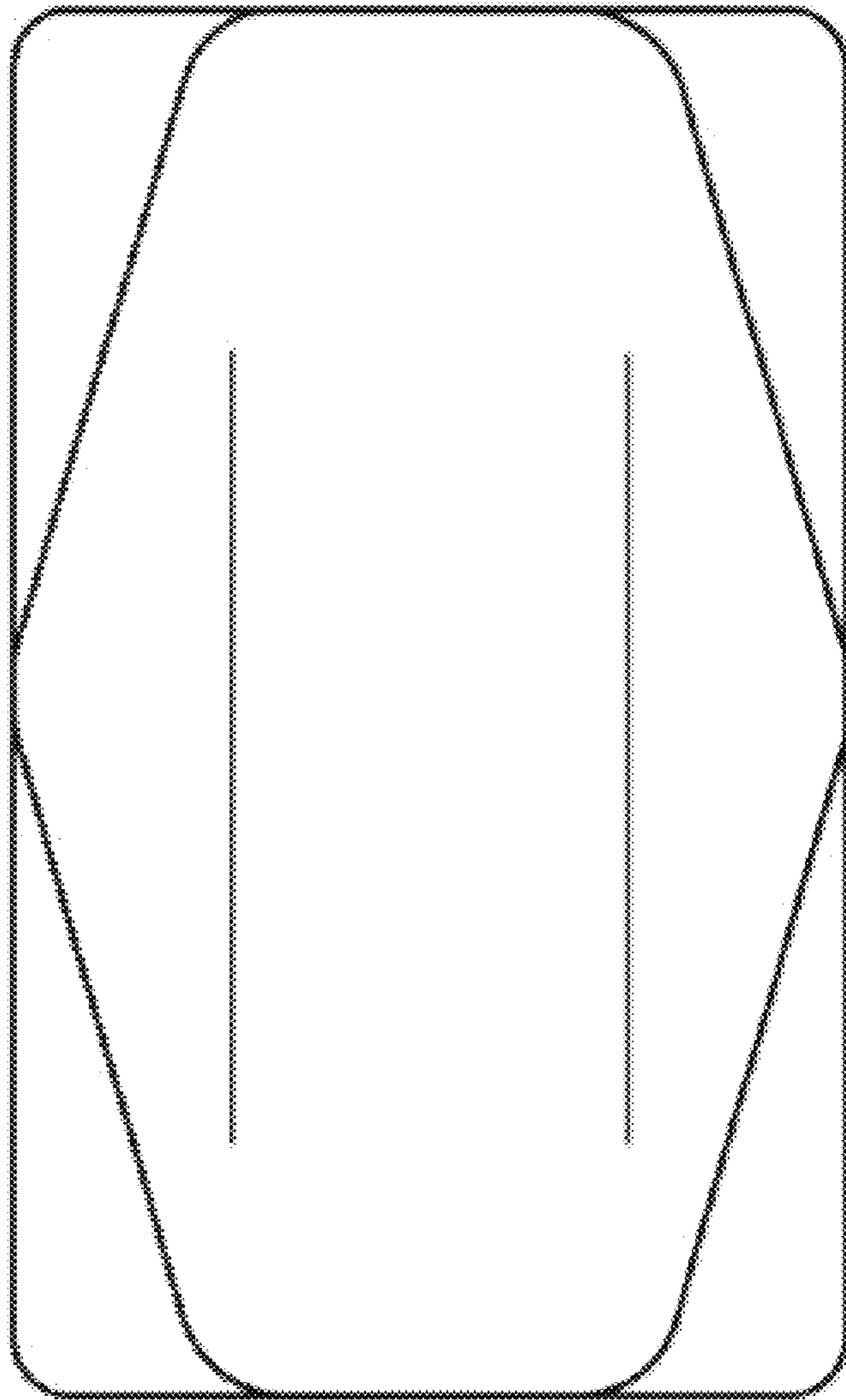
FIG. 2.1



*FIG. 2.2*



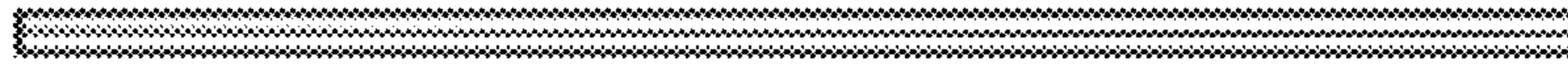
*FIG. 2.3*



*FIG. 2.4*



*FIG. 2.5*



*FIG. 2.6*



UNITED STATES PATENT AND TRADEMARK OFFICE  
**CERTIFICATE OF CORRECTION**

PATENT NO. : D964,343 S  
APPLICATION NO. : 35/510731  
DATED : September 20, 2022  
INVENTOR(S) : Thi Hong Ha Nguyen

Page 1 of 1

It is certified that error appears in the above-identified patent and that said Letters Patent is hereby corrected as shown below:

On the Title Page

Column 1, Item (30) Foreign Application Priority Data should be added, and under it should include:

--Dec. 12, 2019 (EM) ..... 007382361-0001  
Dec. 12, 2019 (EM) ..... 007382361-0002  
Dec. 12, 2019 (EM) ..... 007382361-0003  
Dec. 12, 2019 (EM) ..... 007382361-0004--

Signed and Sealed this  
Thirty-first Day of January, 2023  
*Katherine Kelly Vidal*

Katherine Kelly Vidal  
*Director of the United States Patent and Trademark Office*