



US00D964341S

(12) **United States Design Patent**
Heroux

(10) **Patent No.:** **US D964,341 S**
(45) **Date of Patent:** **** Sep. 20, 2022**

(54) **COMBINED STAND AND EXTENDABLE MEMBER FOR MOBILE DEVICES**

(71) Applicant: **Hip Innovations, LLC**, Calabasas, CA (US)

(72) Inventor: **Steve Heroux**, Calabasas, CA (US)

(73) Assignee: **HIP INNOVATIONS, LLC**, Calabasas, CA (US)

(**) Term: **15 Years**

(21) Appl. No.: **29/833,037**

(22) Filed: **Mar. 31, 2022**

Related U.S. Application Data

(60) Division of application No. 29/751,830, filed on Sep. 23, 2020, now Pat. No. Des. 948,497, which is a continuation-in-part of application No. 16/735,321, filed on Jan. 6, 2020, now Pat. No. 11,128,337, which is a continuation-in-part of application No. 16/579,477, filed on Sep. 23, 2019, now Pat. No. 10,920,929.

(51) **LOC (13) Cl.** **14-03**

(52) **U.S. Cl.**
USPC **D14/253**; D14/250

(58) **Field of Classification Search**
USPC D14/251-253, 447, 250; D12/415; D3/218
CPC A45C 11/00; F16M 11/04; F16M 11/10; F16M 13/02; H04B 1/3888; F16C 11/04
See application file for complete search history.

(56) **References Cited**

U.S. PATENT DOCUMENTS

D559,230 S 1/2008 Griffin et al.
7,845,612 B2 12/2010 Mase

D645,463 S 9/2011 Kao
8,016,107 B2 9/2011 Emsky
8,651,529 B2 2/2014 Yair
9,155,213 B2 10/2015 Jones
9,300,346 B2 3/2016 Hirsch
9,301,584 B2 4/2016 Butts
D756,339 S 5/2016 Tussy
9,473,190 B1 10/2016 Sandlofer
D771,030 S 11/2016 Tussy
D775,114 S 12/2016 Khalili

(Continued)

FOREIGN PATENT DOCUMENTS

JP 2017158165 7/2017

Primary Examiner — Janice Hallmark

(74) *Attorney, Agent, or Firm* — Cislo & Thomas, LLP

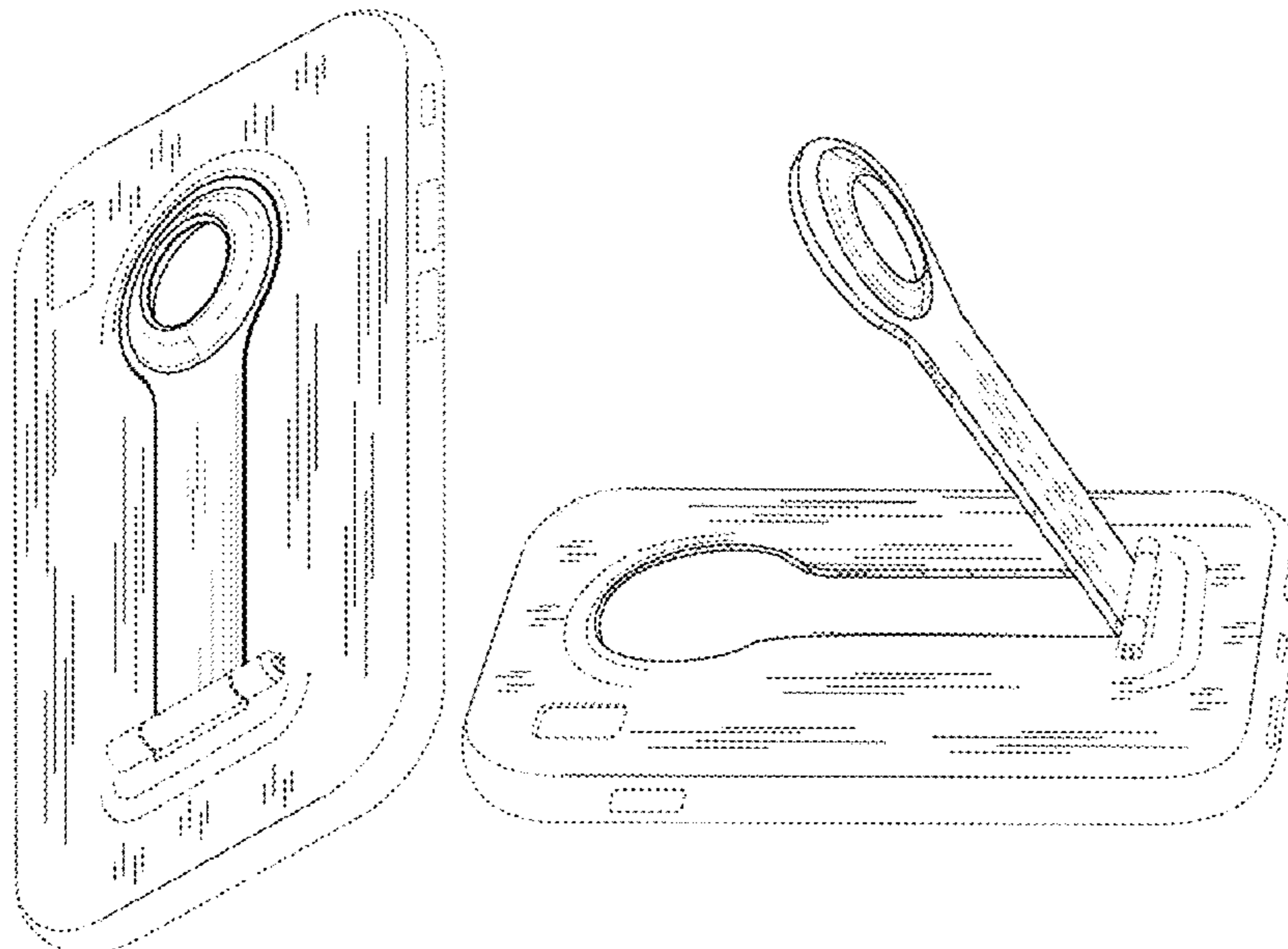
(57) **CLAIM**

The ornamental design for a combined stand and extendable member for mobile devices, as shown and described.

DESCRIPTION

FIG. 1 is a perspective view of my combined stand and extendable member for mobile devices in a closed configuration;
FIG. 2 is another perspective view thereof in an open configuration;
FIG. 3 is a front view thereof in the closed configuration;
FIG. 4 is a rear view thereof in the closed configuration;
FIG. 5 is a right side view thereof in the closed configuration;
FIG. 6 is a left side view thereof in the closed configuration;
FIG. 7 is a top view thereof in the closed configuration; and,
FIG. 8 is a bottom view thereof in the closed configuration.
The broken lines shown in the drawings illustrate portions of my combined stand and extendable member for mobile devices that form no part of the claimed design.

1 Claim, 6 Drawing Sheets



(56)

References Cited

U.S. PATENT DOCUMENTS

D778,275 S 2/2017 Gabriel et al.
 D778,899 S 2/2017 Khalili
 D780,166 S 2/2017 Lin
 D786,235 S 5/2017 Huotari et al.
 9,677,702 B2 6/2017 Kim
 9,699,283 B2 7/2017 Aldana et al.
 D794,007 S 8/2017 Zhang
 D795,238 S 8/2017 Kim
 9,723,735 B1 8/2017 Kim
 9,912,368 B2 3/2018 Kim
 9,917,937 B1 3/2018 Fathollahi et al.
 9,936,780 B2 4/2018 Tu
 D817,316 S 5/2018 Srour
 9,985,678 B1 5/2018 Sumida et al.
 D837,781 S 1/2019 Ingram et al.
 D842,851 S 3/2019 Leitman
 10,326,487 B2 6/2019 Mody et al.
 10,362,697 B2 7/2019 Yuan
 D855,605 S 8/2019 Kim
 D855,606 S 8/2019 Kim
 D857,005 S 8/2019 Yu
 D858,511 S 9/2019 Yu
 D860,984 S 9/2019 Stagge
 D863,287 S 10/2019 Srour
 D878,350 S 3/2020 Stagge
 D883,272 S 5/2020 Park
 D885,375 S 5/2020 Haskell
 D894,890 S 9/2020 Lederer
 D895,600 S 9/2020 Lancet
 D896,805 S 9/2020 Stagge
 D899,418 S 10/2020 Kozelian
 D904,388 S 12/2020 Martin
 D908,688 S 1/2021 Zhang

10,920,929 B1 2/2021 Heroux
 D915,386 S * 4/2021 Zhou D14/250
 D918,889 S * 5/2021 Huang D14/251
 D923,616 S * 6/2021 Xie D14/250
 D929,985 S 9/2021 Yeo
 D932,482 S 10/2021 Del Toro et al.
 D941,282 S * 1/2022 Bai D14/250
 D944,789 S * 3/2022 Bar D14/253
 D945,411 S * 3/2022 Jankura D16/244
 D948,497 S * 4/2022 Heroux F16M 11/38
 D950,238 S * 5/2022 Yeo D14/253
 D3/218
 2007/0062089 A1 3/2007 Homer et al.
 2012/0025039 A1 2/2012 Segal
 2012/0182680 A1 7/2012 Wetzel et al.
 2012/0199501 A1 8/2012 Le Gette
 2013/0286623 A1 10/2013 Slipy et al.
 2015/0244408 A1 8/2015 Chen
 2016/0033074 A1 2/2016 Drakos
 2016/0066453 A1 3/2016 Quehl et al.
 2016/0073749 A1 3/2016 Lach
 2016/0120297 A1 5/2016 Senoff
 2016/0183652 A1 6/2016 Strange
 2016/0286016 A1 9/2016 Lee et al.
 2016/0353567 A1 12/2016 Ichiryu et al.
 2016/0353867 A1 12/2016 Due
 2018/0041237 A1 2/2018 Mody et al.
 2018/0088445 A1 3/2018 Michaud
 2018/0213664 A1 7/2018 Yuan
 2018/0220782 A1 8/2018 Mody et al.
 2018/0248580 A1 8/2018 Edman
 2018/0332153 A1 11/2018 Brown
 2020/0063915 A1 2/2020 Lederer
 2021/0059370 A1 3/2021 Del Toro et al.
 2021/0091817 A1 3/2021 Heroux
 2021/0100343 A1 4/2021 Murphy

* cited by examiner

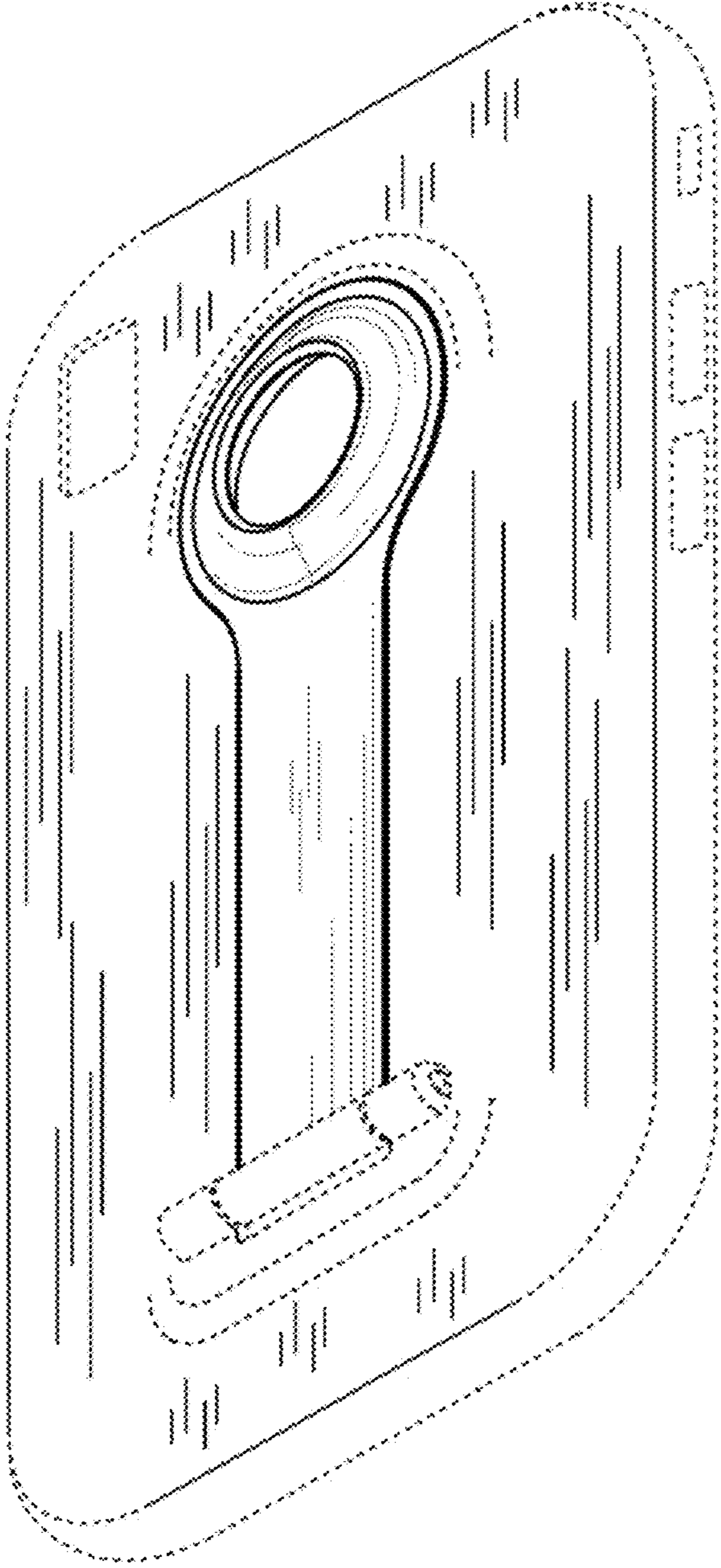


Fig. 1

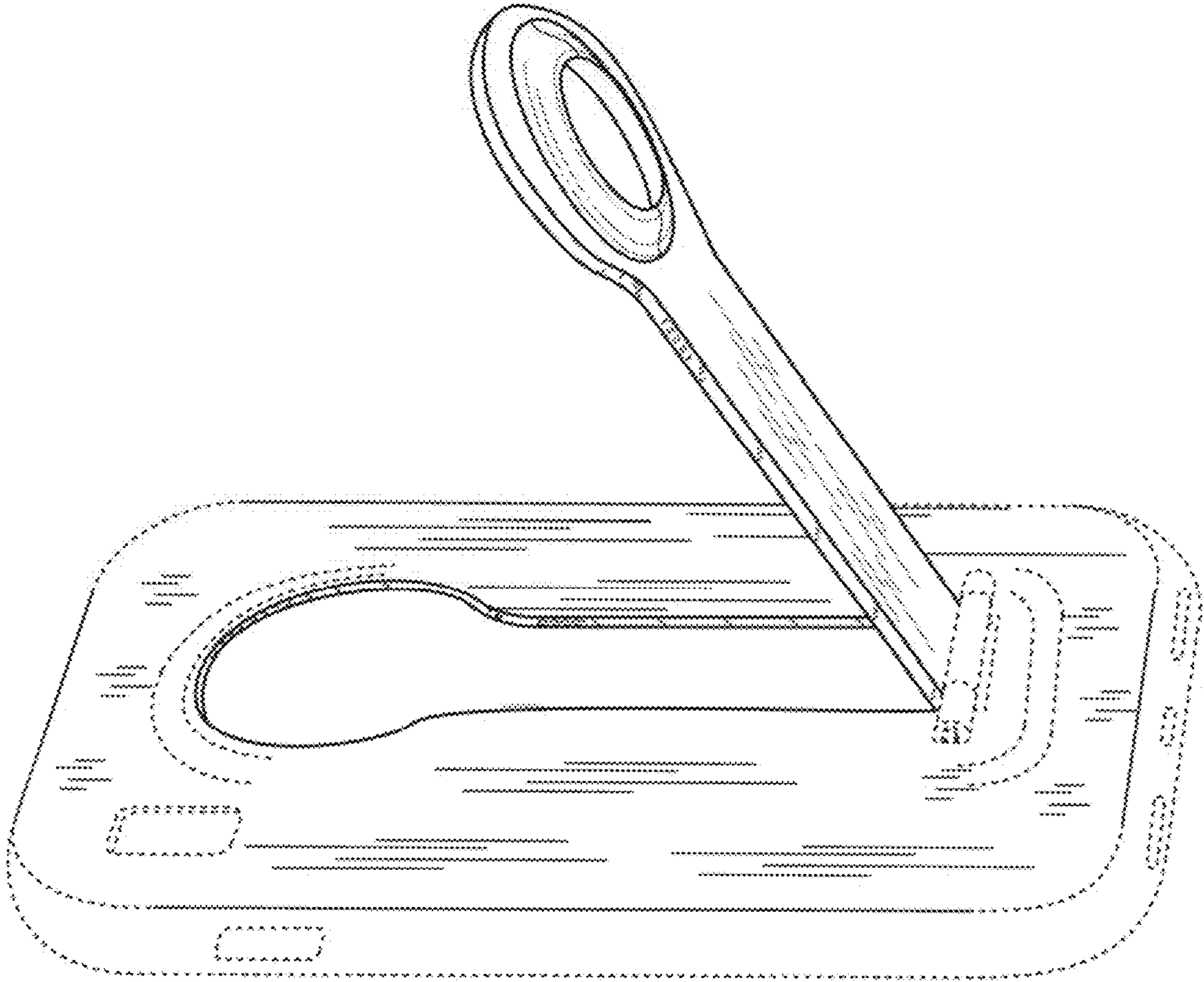


Fig. 2

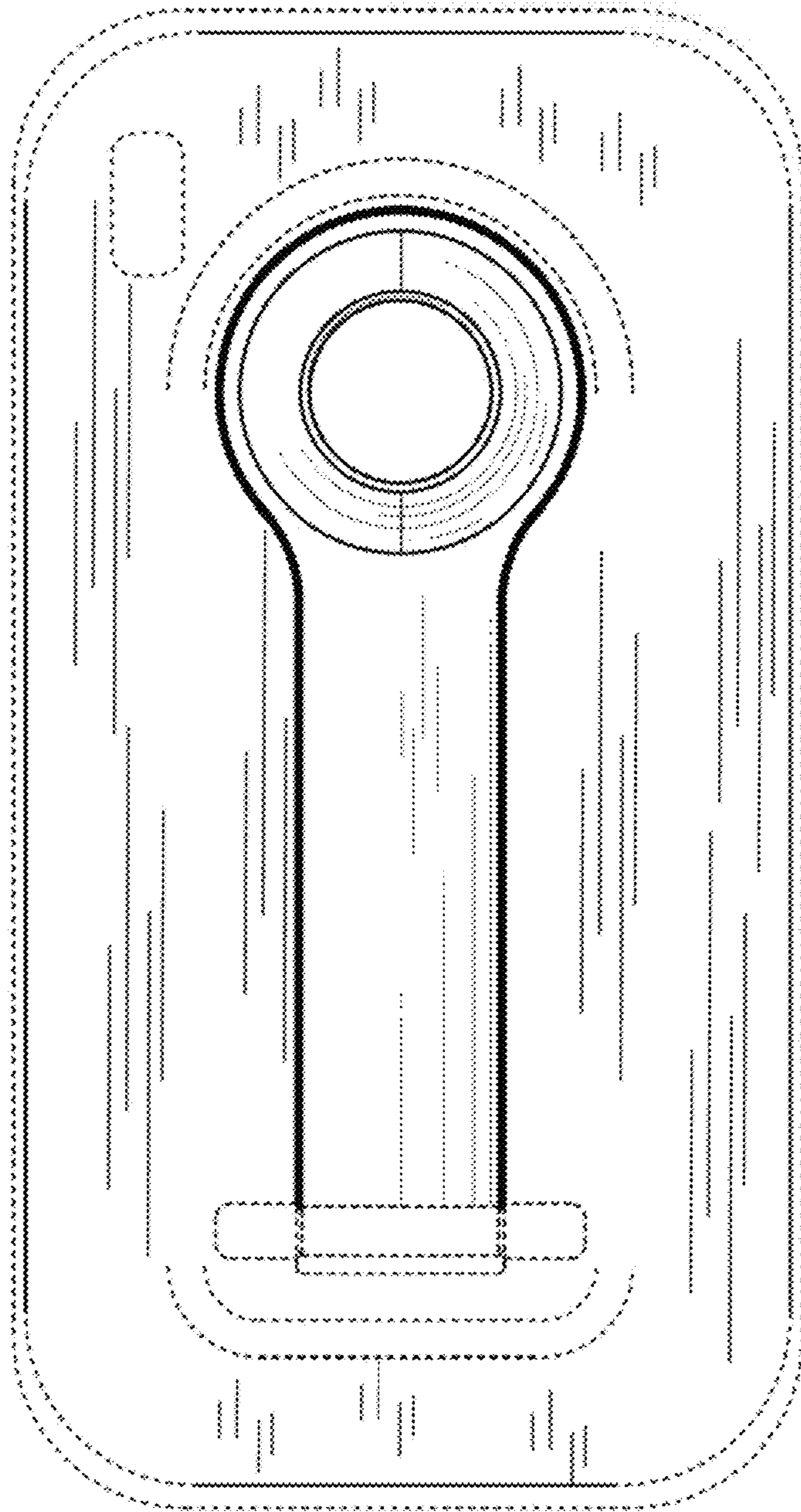


Fig. 3

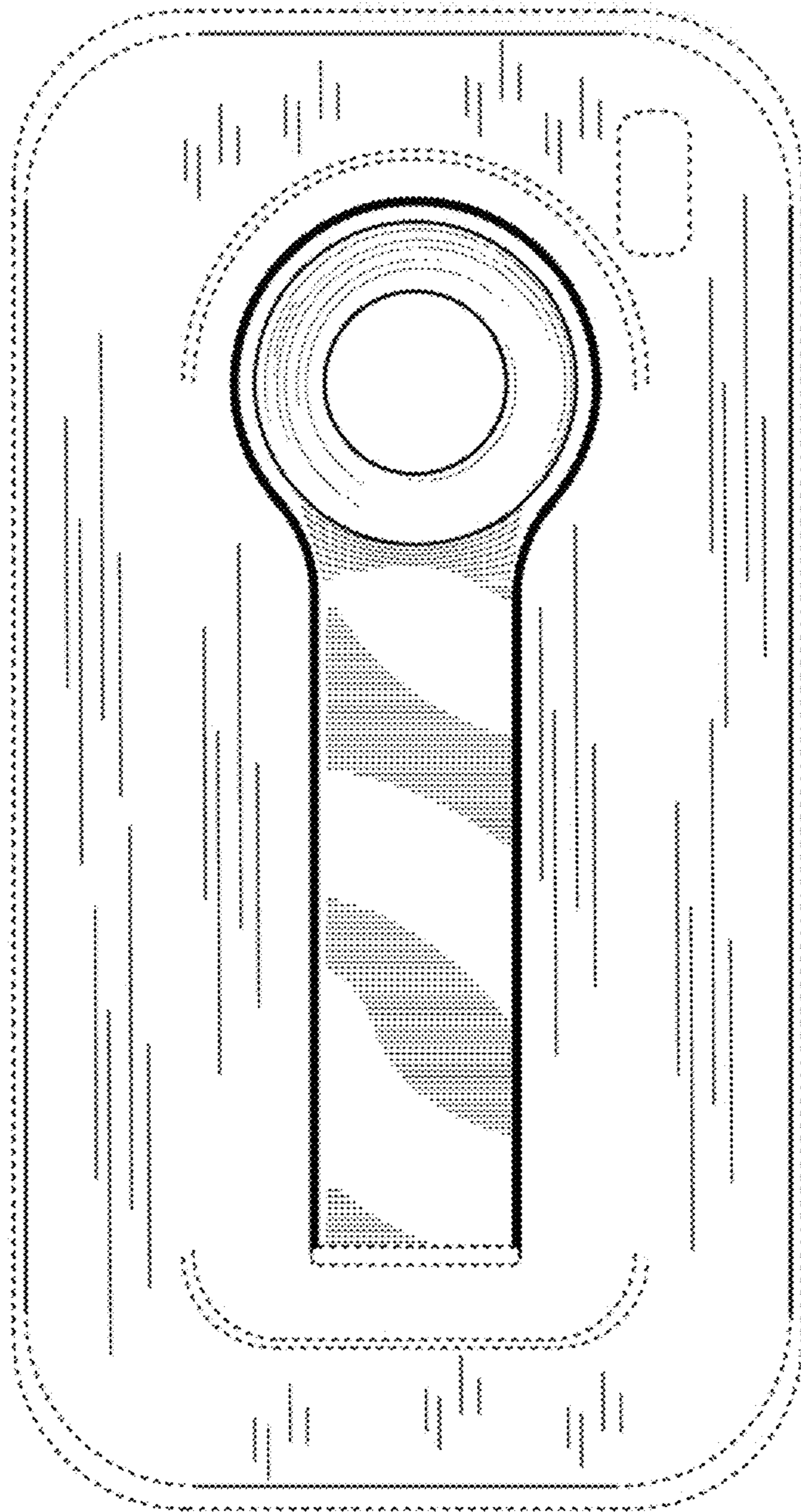


Fig. 4

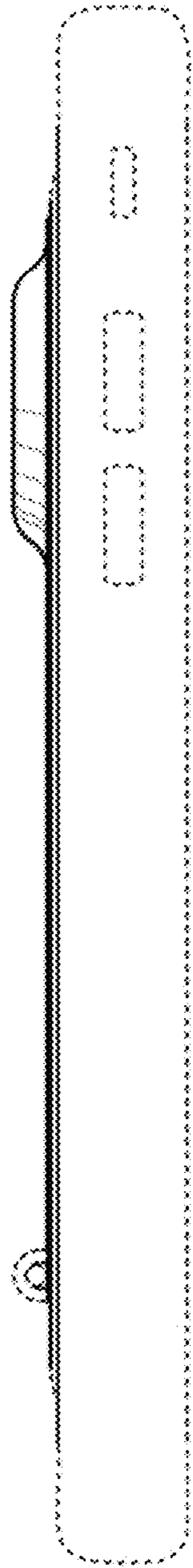


Fig. 5

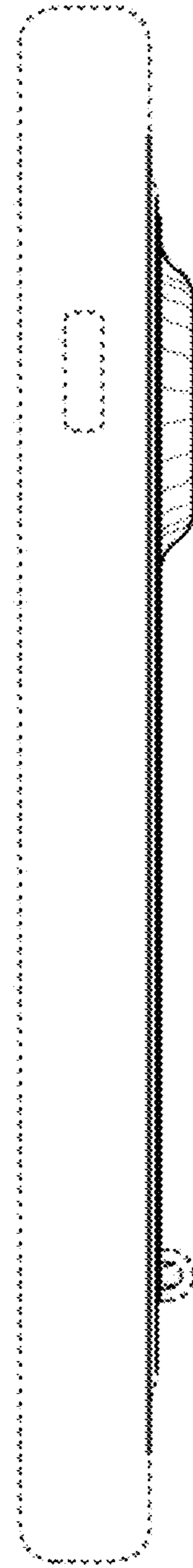


Fig. 6

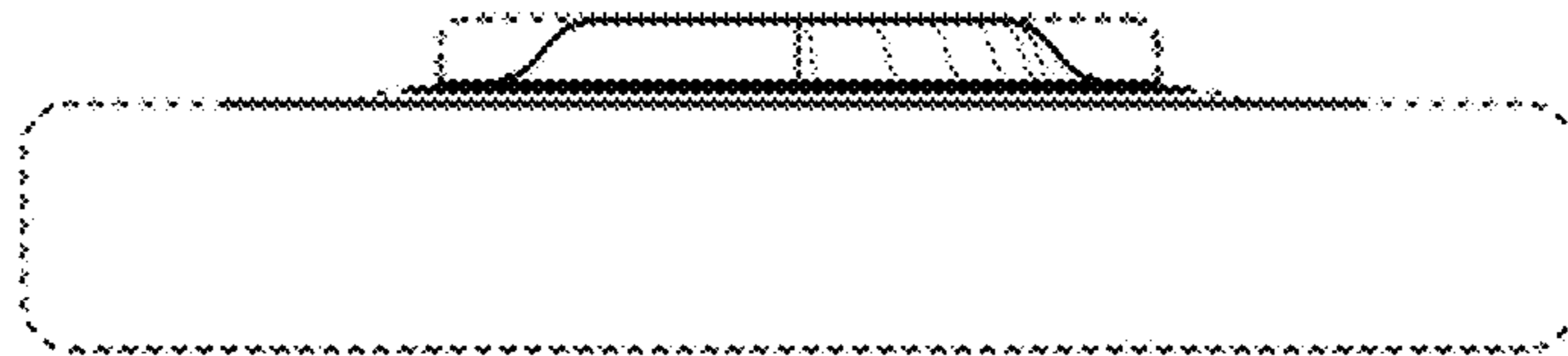


Fig. 7

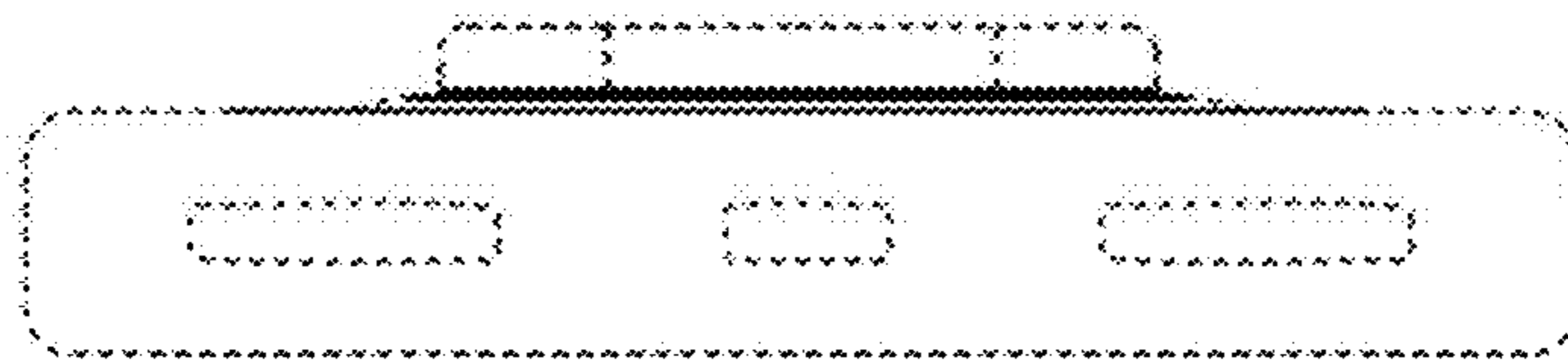


Fig. 8