

US00D964337S

(12) **United States Design Patent**
Rodriguez Abesamis

(10) **Patent No.:** **US D964,337 S**
(45) **Date of Patent:** **** Sep. 20, 2022**

(54) **PROTECTION DEVICE FOR A MOBILE TELEPHONE WITH AUTOMATIC OPENING**

(71) Applicant: **Alejandro Rodriguez Abesamis**,
Logroño (ES)

(72) Inventor: **Alejandro Rodriguez Abesamis**,
Logroño (ES)

(**) Term: **15 Years**

(21) Appl. No.: **29/677,577**

(22) Filed: **Jan. 22, 2019**

(51) **LOC (13) Cl.** **14-03**

(52) **U.S. Cl.**
USPC **D14/250**

(58) **Field of Classification Search**

USPC D14/143, 199, 201, 202, 217, 250, 251,
D14/253; D13/103, 119; D3/247
(Continued)

(56) **References Cited**

U.S. PATENT DOCUMENTS

D260,054 S * 8/1981 Morgan D3/247
D307,673 S * 5/1990 Brown D3/218
(Continued)

FOREIGN PATENT DOCUMENTS

EP 1435766 A1 7/2004
WO 2013102687 A1 7/2013

Primary Examiner — Mojtaba Tehrani

(57) **CLAIM**

The ornamental design for a protection device for a mobile telephone with automatic opening, as shown and described.

DESCRIPTION

FIG. 1 is a front perspective view of a protection device for a mobile telephone with automatic opening showing my new design, according to a first embodiment of the invention, in a closed configuration;

FIG. 2 is a front elevation view thereof in the closed configuration;

FIG. 3 is a rear elevation view thereof in the closed configuration;

FIG. 4 is a left side elevation view thereof in the closed configuration;

FIG. 5 is a right side elevation view thereof in the closed configuration;

FIG. 6 is a top view thereof in the closed configuration;

FIG. 7 is a bottom view thereof in the closed configuration;

FIG. 8 is a front perspective view thereof in an open configuration;

FIG. 9 is a front elevation view thereof in the open configuration;

FIG. 10 is a front perspective view of a protection device for a mobile telephone with automatic opening showing my new design, according to a second embodiment of the invention, in a closed configuration;

FIG. 11 is a rear perspective view thereof in the closed configuration;

FIG. 12 is a front elevation view thereof in the closed configuration;

FIG. 13 is a rear elevation view thereof in the closed configuration;

FIG. 14 is a left side elevation view thereof in the closed configuration;

FIG. 15 is a right side elevation view thereof in the closed configuration;

FIG. 16 is a top view thereof in the closed configuration;

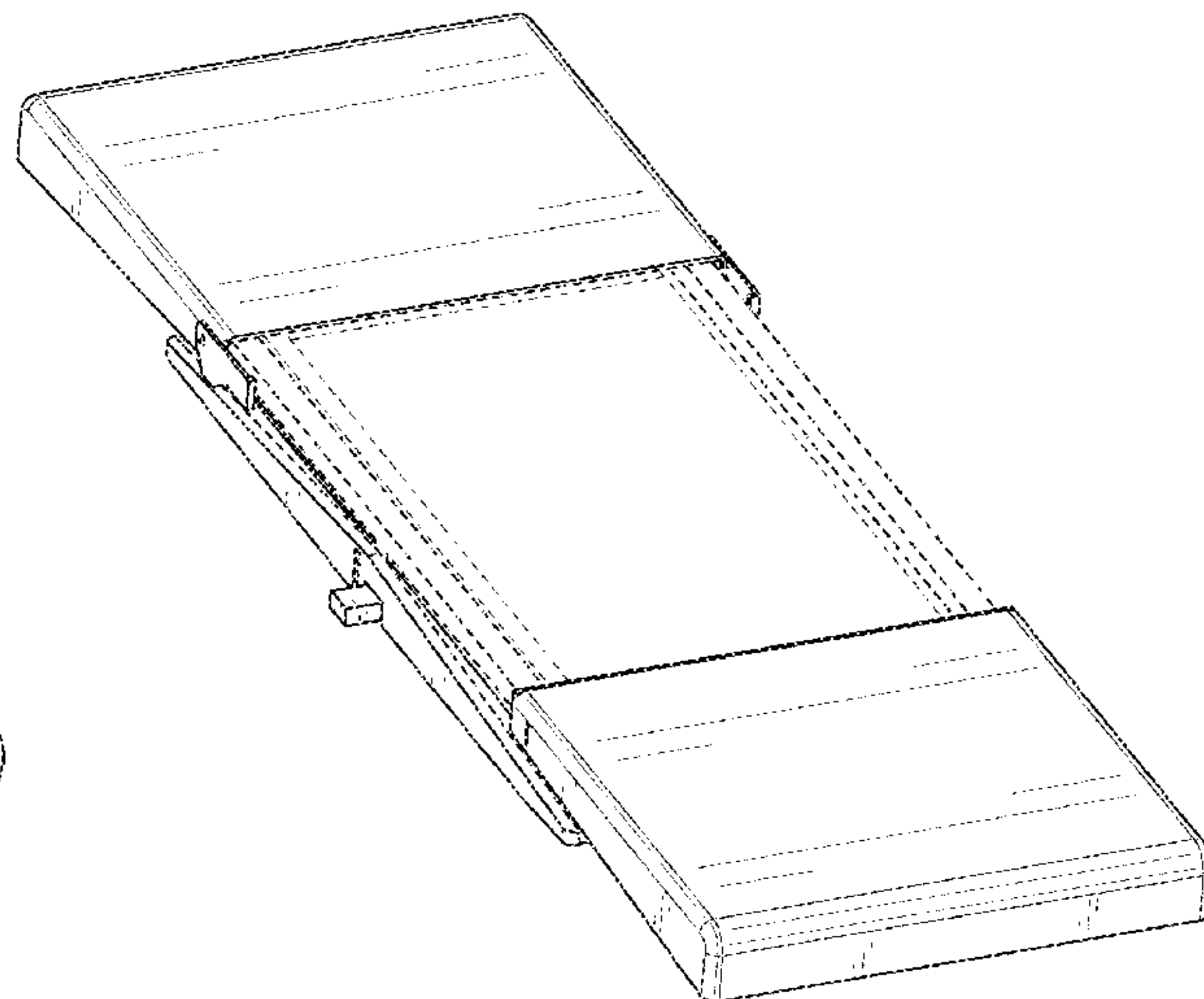
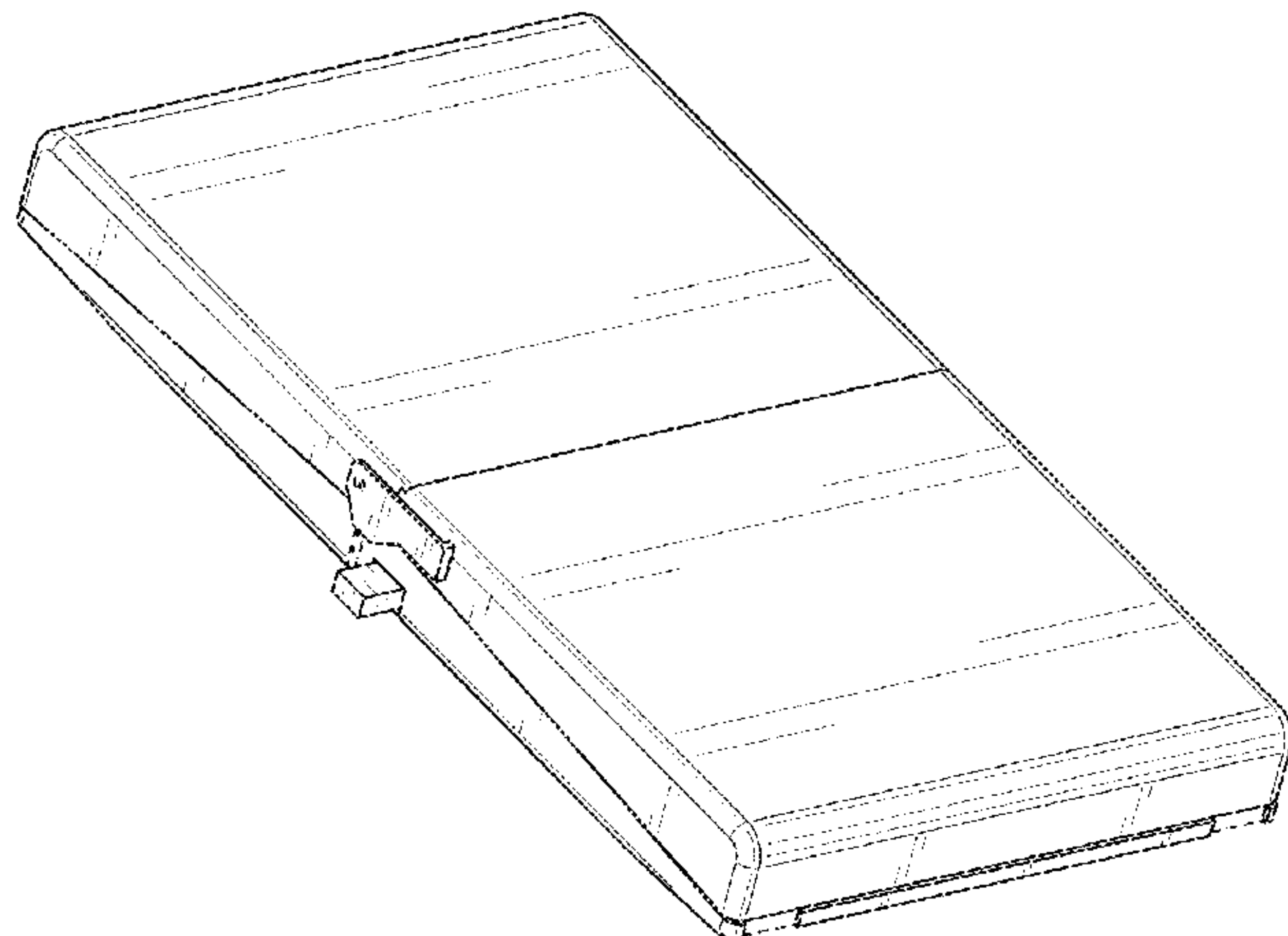
FIG. 17 is a bottom view thereof in the closed configuration;

FIG. 18 is a front perspective view thereof in an open configuration; and,

FIG. 19 is a front elevation view thereof in the open configuration.

The portions of the protection device for a mobile telephone with automatic opening shown in broken lines form no part of the claimed design.

1 Claim, 19 Drawing Sheets



(58) **Field of Classification Search**

CPC H04M 1/0283; H04M 1/0202; A45C 1/06;
 A45C 2011/002; A45C 11/00; A45F
 2005/028; A45F 2200/0525

See application file for complete search history.

(56) **References Cited**

U.S. PATENT DOCUMENTS

| | | | | |
|--------------|------|---------|--------------------|-------------|
| 5,649,309 | A | 7/1997 | Wilcox et al. | |
| D413,017 | S * | 8/1999 | Masoud | D3/247 |
| 5,987,122 | A | 11/1999 | Daffara et al. | |
| D447,337 | S * | 9/2001 | Sardina | D3/247 |
| D467,429 | S * | 12/2002 | Bone | D3/294 |
| D530,926 | S * | 10/2006 | Sellers | D6/300 |
| D570,112 | S * | 6/2008 | McDowell | D3/247 |
| D628,797 | S * | 12/2010 | Kalbach | D3/247 |
| D667,829 | S * | 9/2012 | Berntsen | D14/435 |
| D672,952 | S * | 12/2012 | Yang | D3/247 |
| D685,178 | S * | 7/2013 | Lv | D3/273 |
| D721,229 | S * | 1/2015 | Dietrich | D3/247 |
| 9,655,422 | B2 * | 5/2017 | Buijssen | A45C 13/10 |
| D823,594 | S * | 7/2018 | Newman | D3/203.5 |
| D860,645 | S * | 9/2019 | Wu | D3/247 |
| D866,177 | S * | 11/2019 | Leh | D3/247 |
| D877,726 | S * | 3/2020 | Fenton | D14/250 |
| 10,595,604 | B1 * | 3/2020 | de la Fuente | G06F 1/1669 |
| D891,755 | S * | 8/2020 | Prioleau | D3/203.1 |
| 2003/0064688 | A1 | 4/2003 | Mizuta et al. | |
| 2006/0188092 | A1 | 8/2006 | Pontoppidan et al. | |
| 2011/0077061 | A1 | 3/2011 | Danze et al. | |
| 2014/0204511 | A1 | 7/2014 | Oh et al. | |
| 2015/0194997 | A1 | 7/2015 | Johnson et al. | |

* cited by examiner

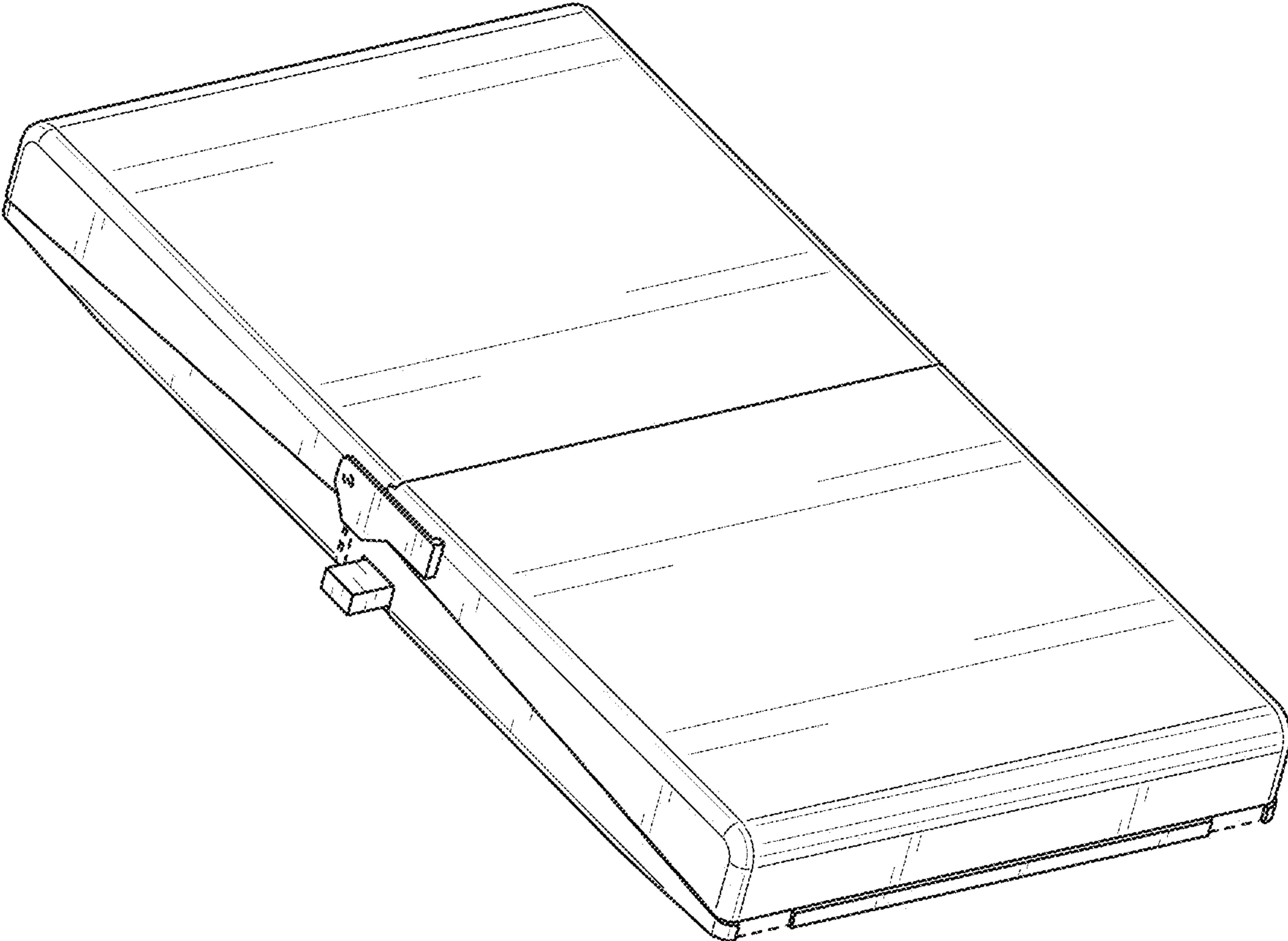


FIG. 1

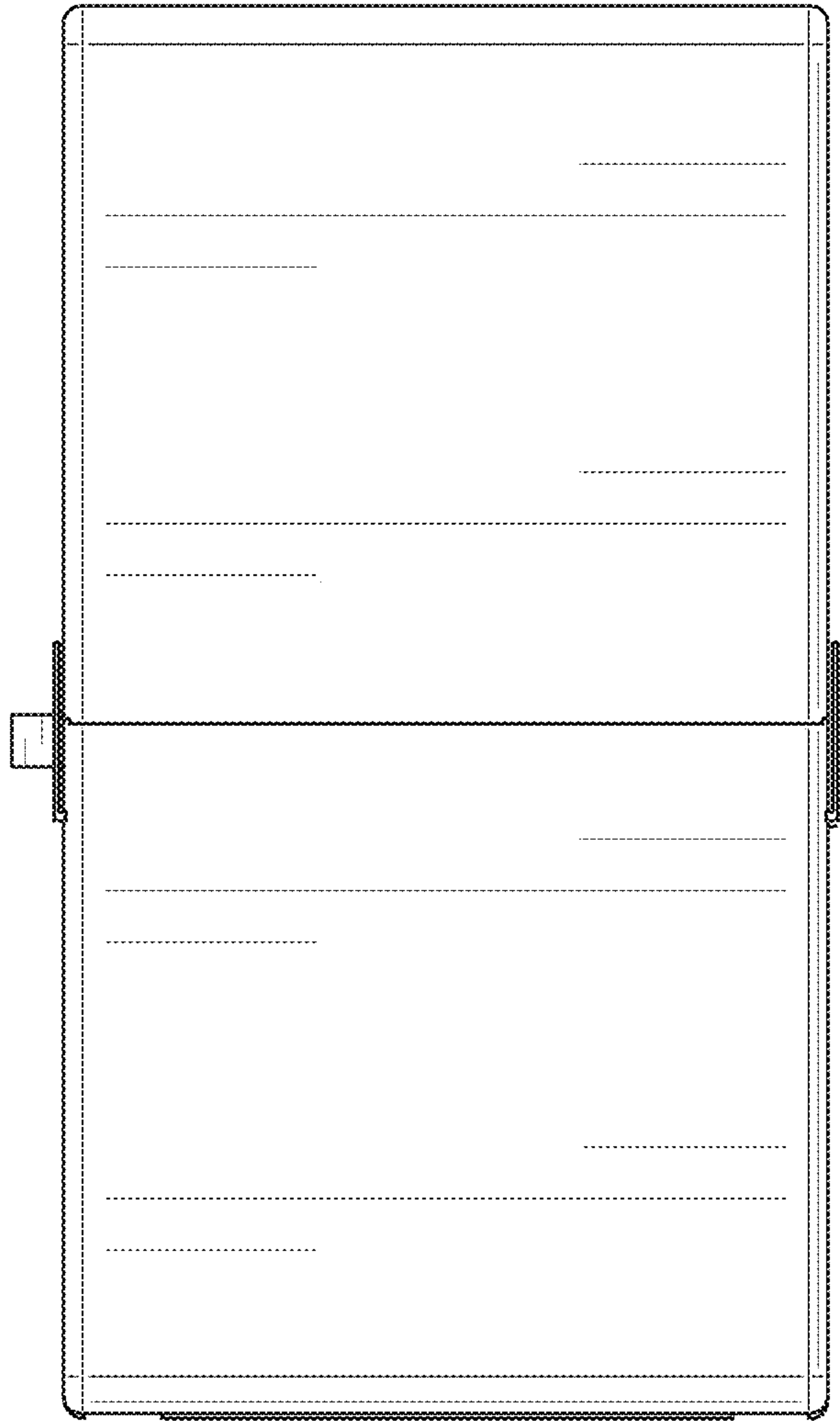


FIG. 2

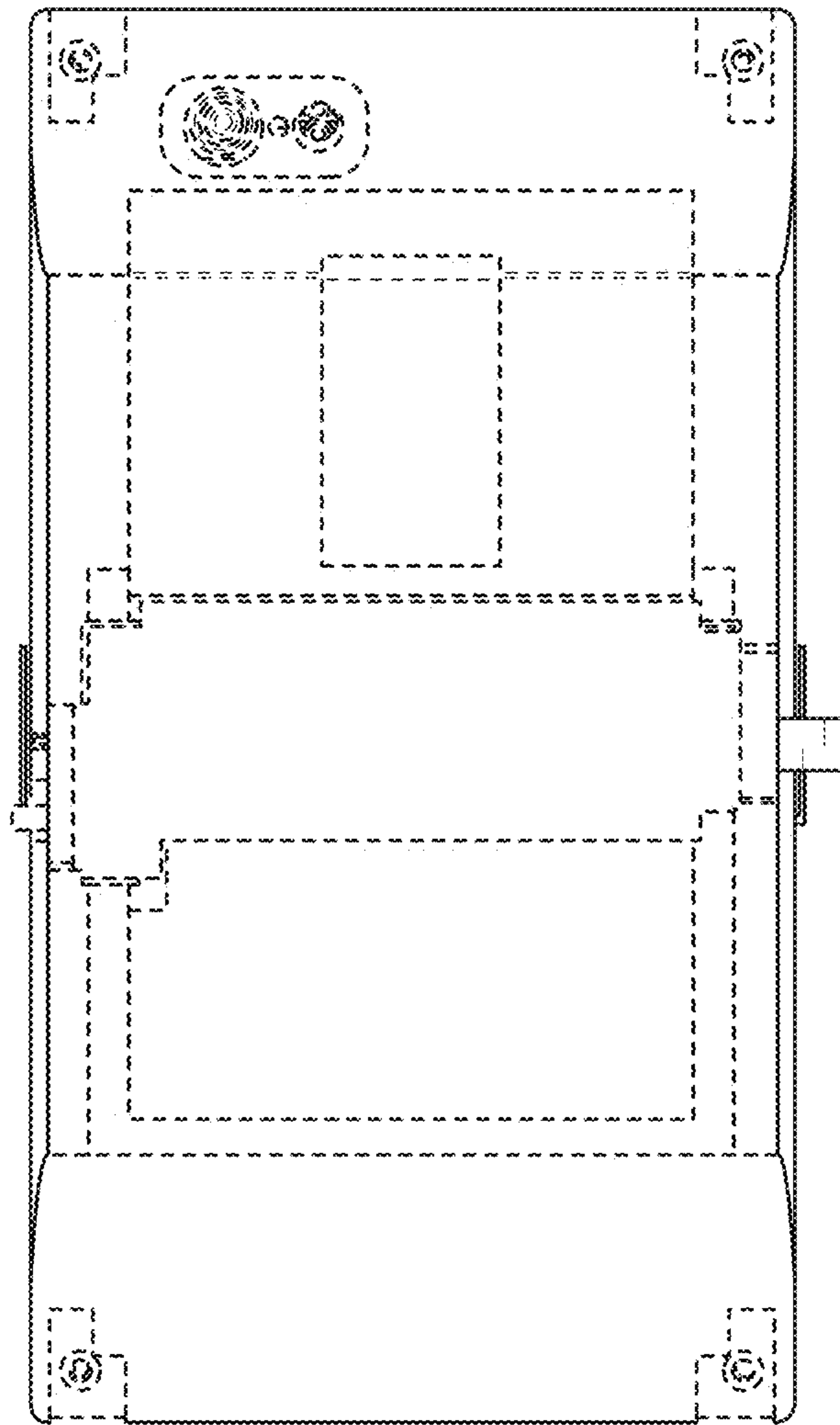


FIG. 3

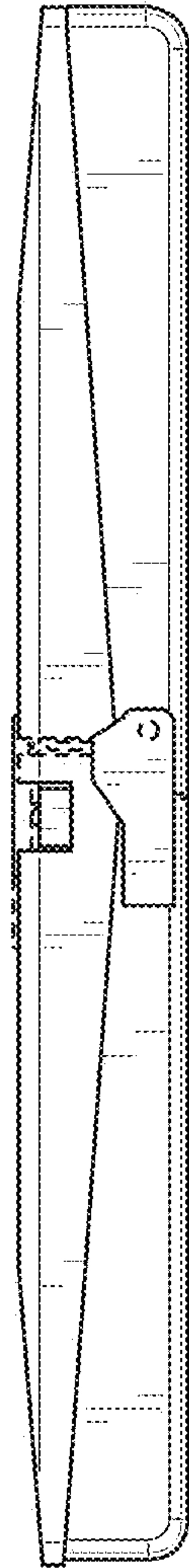


FIG. 4

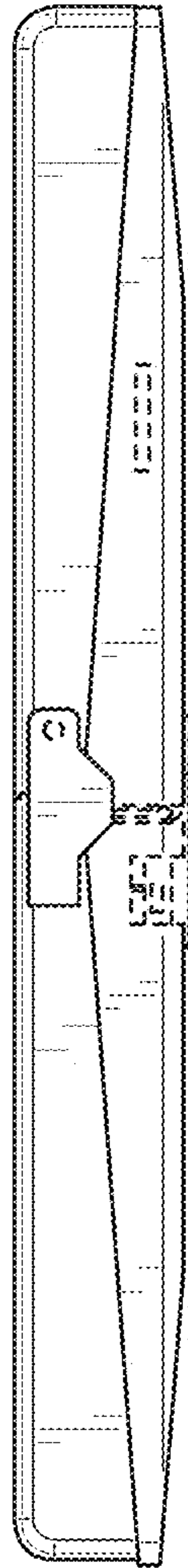


FIG. 5

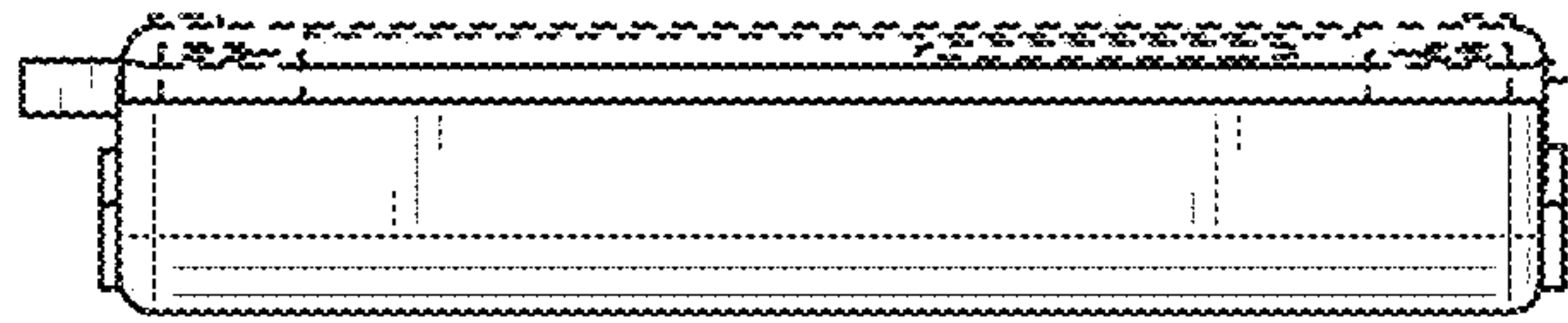


FIG. 6

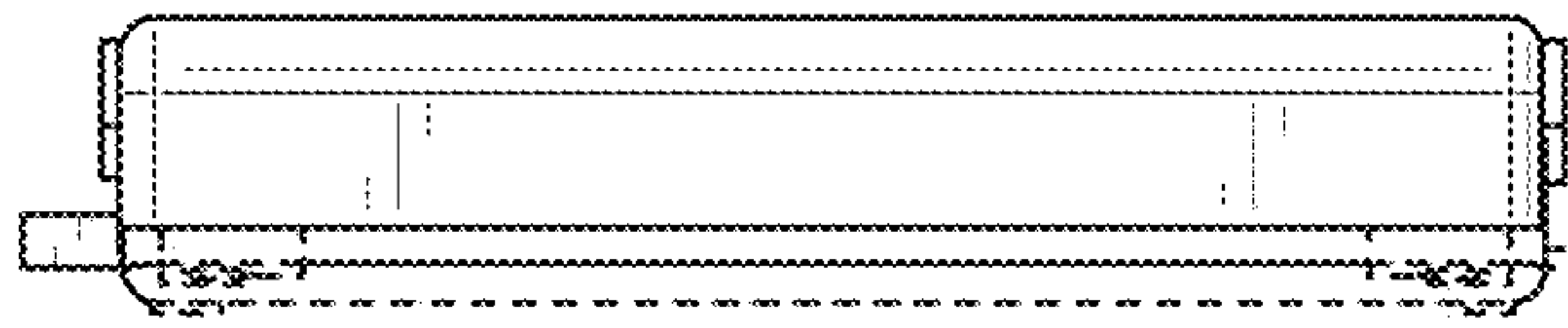


FIG. 7

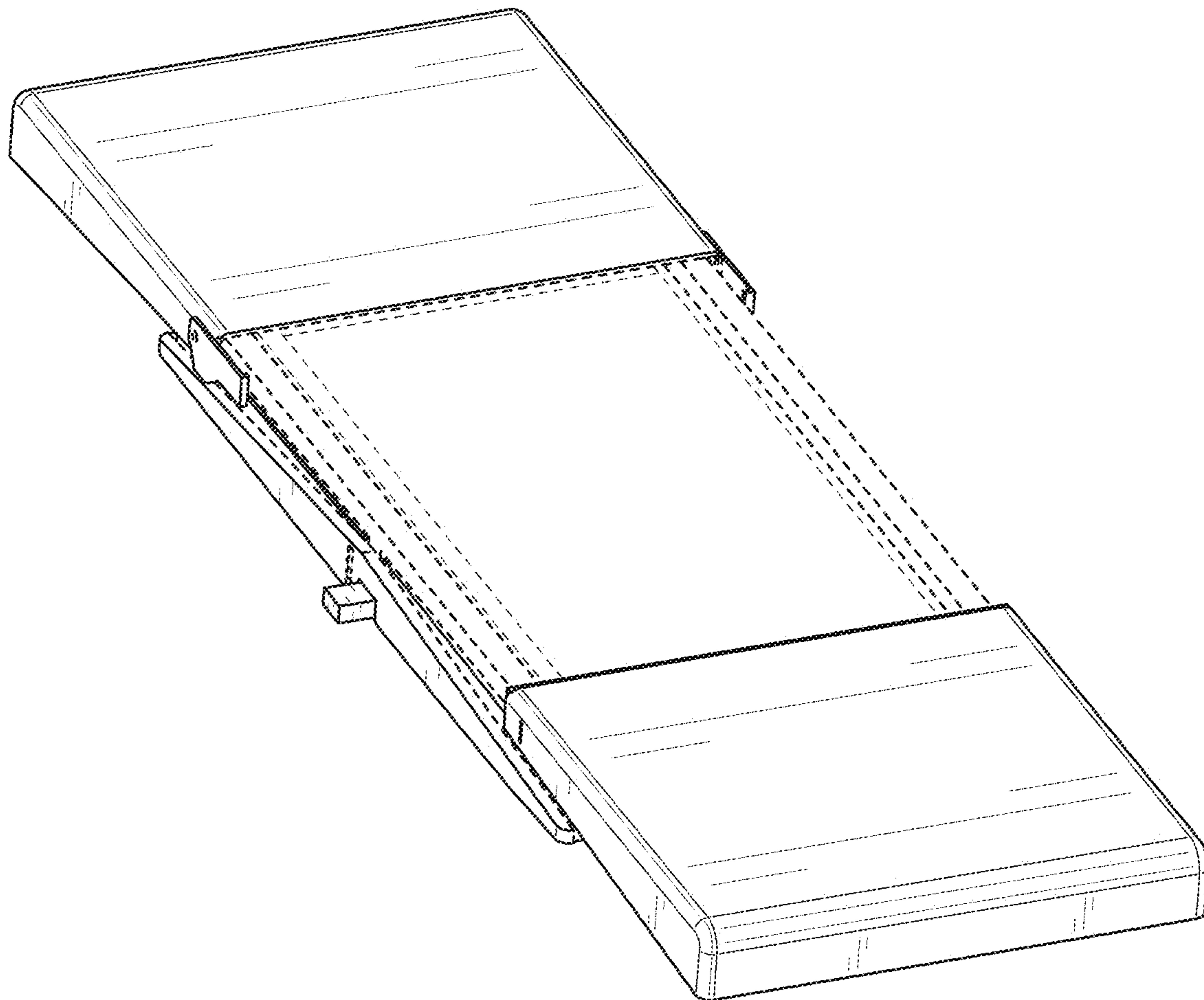


FIG. 8

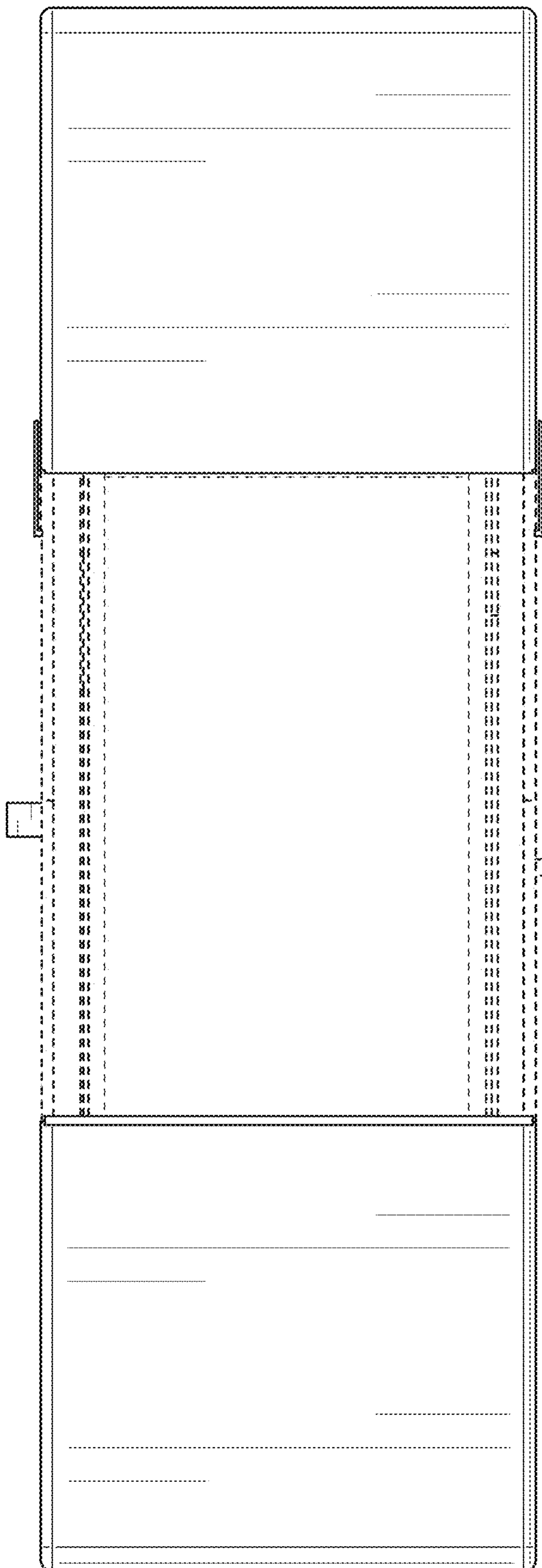


FIG. 9

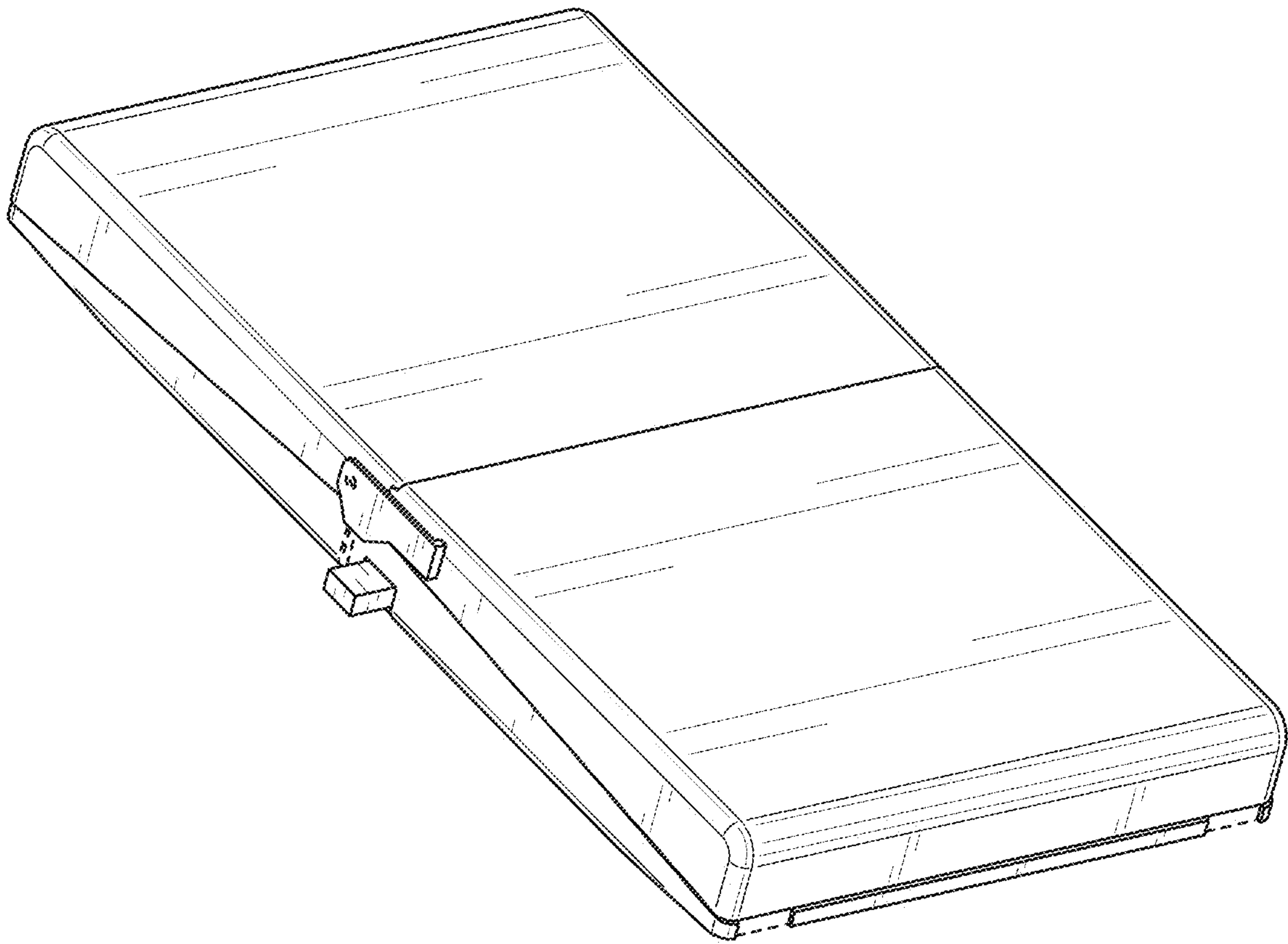


FIG. 10

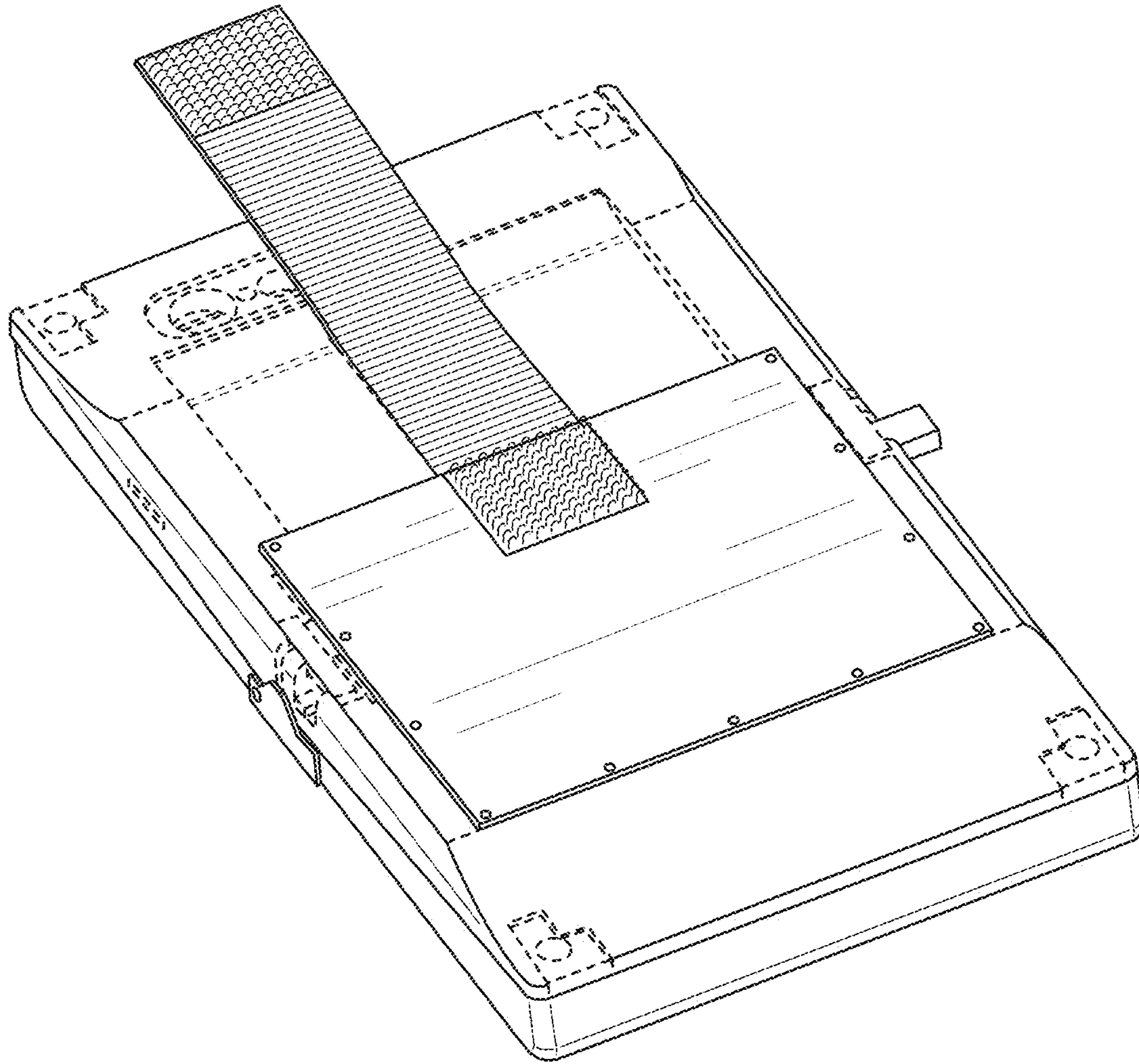


FIG. 11

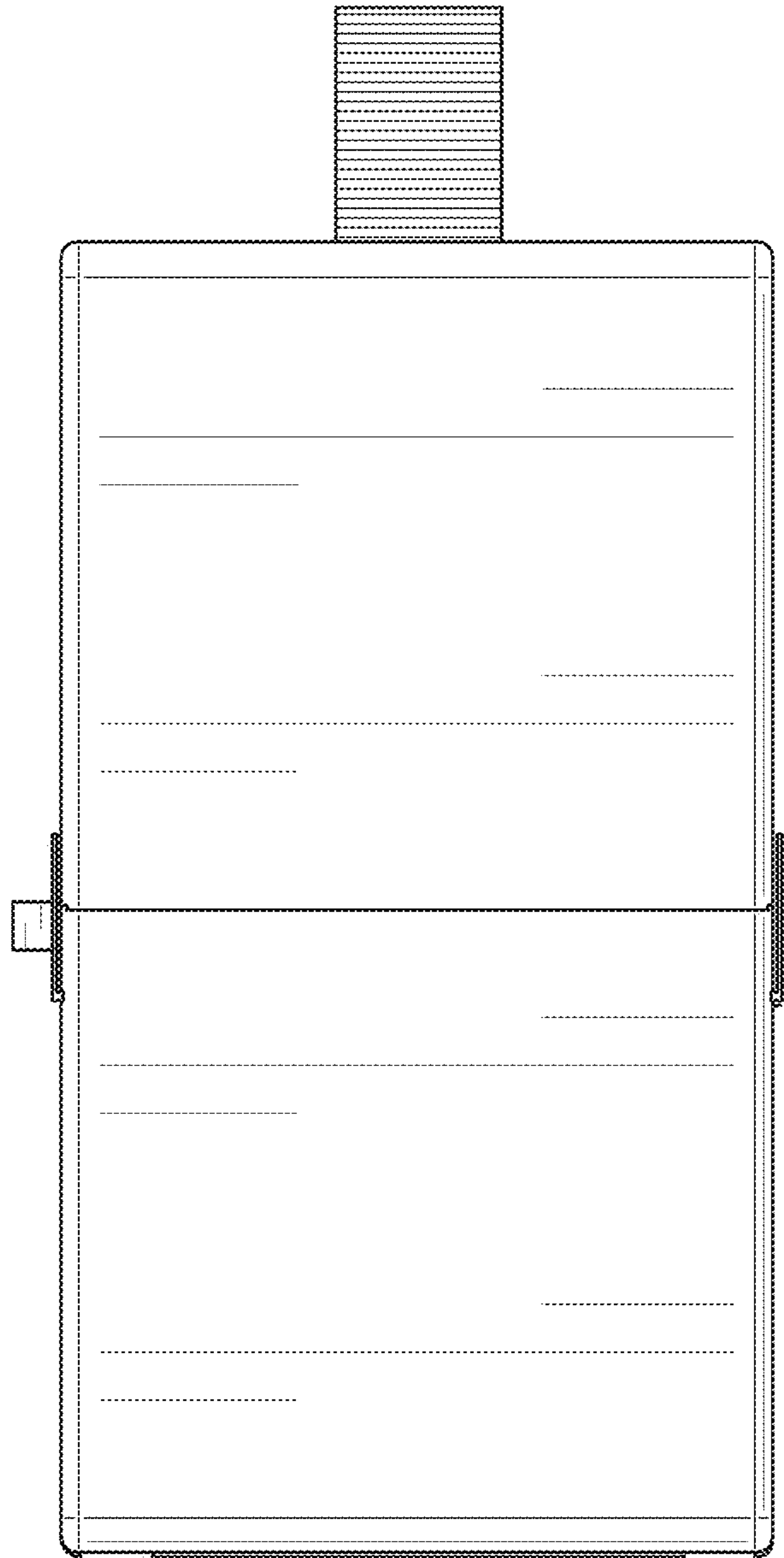


FIG. 12

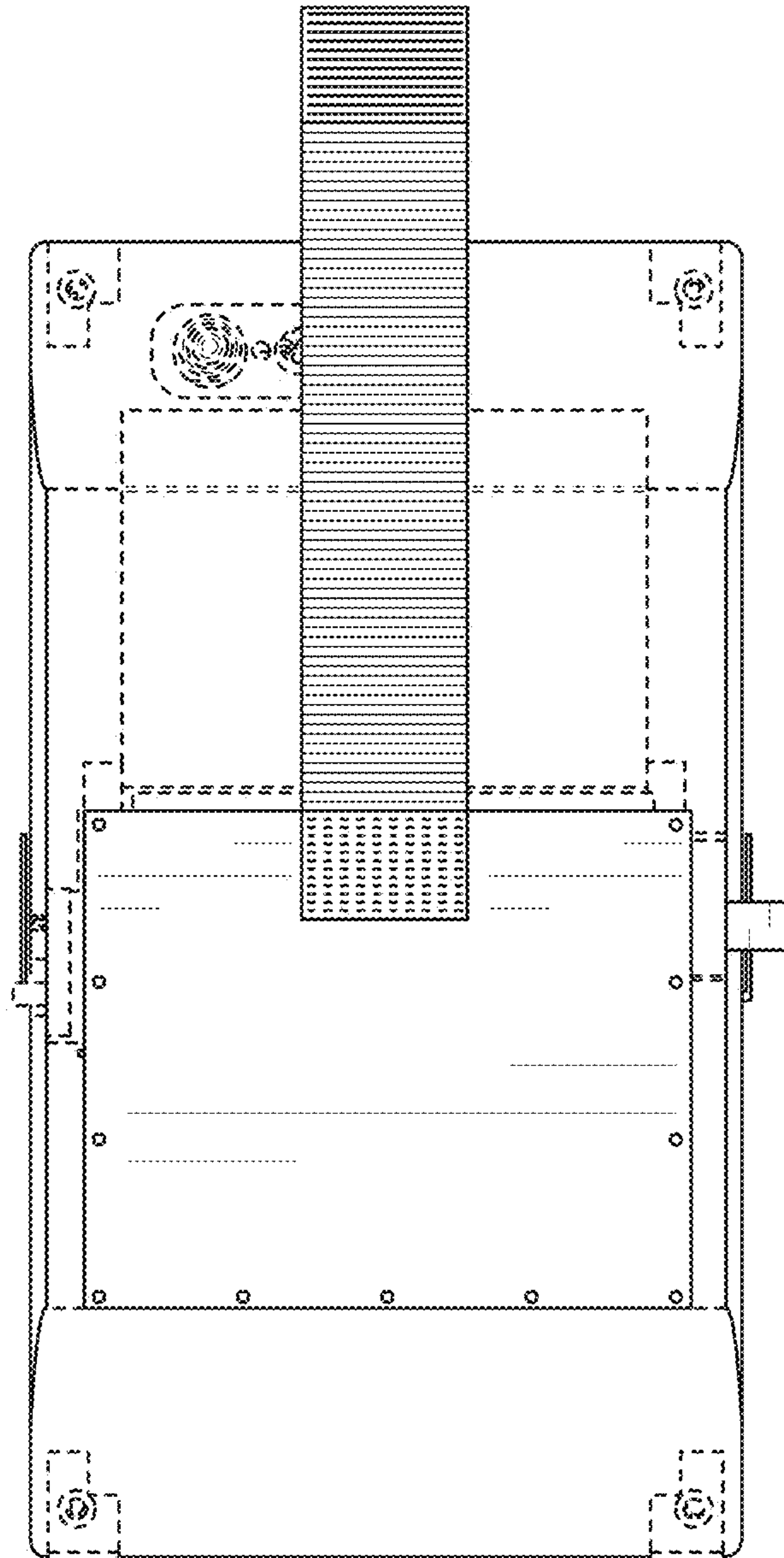


FIG. 13

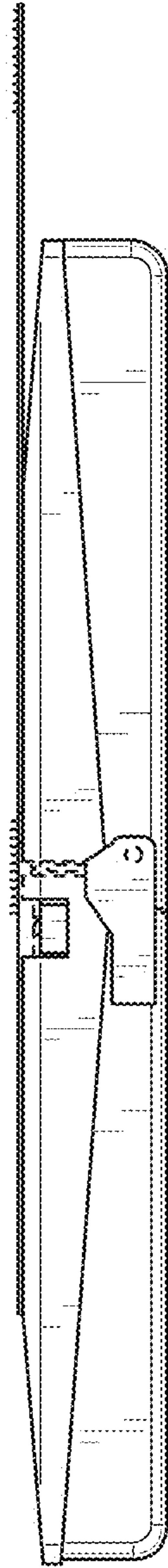


FIG. 14

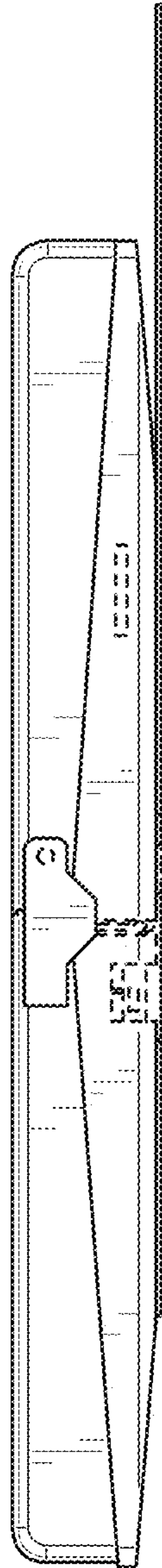


FIG. 15

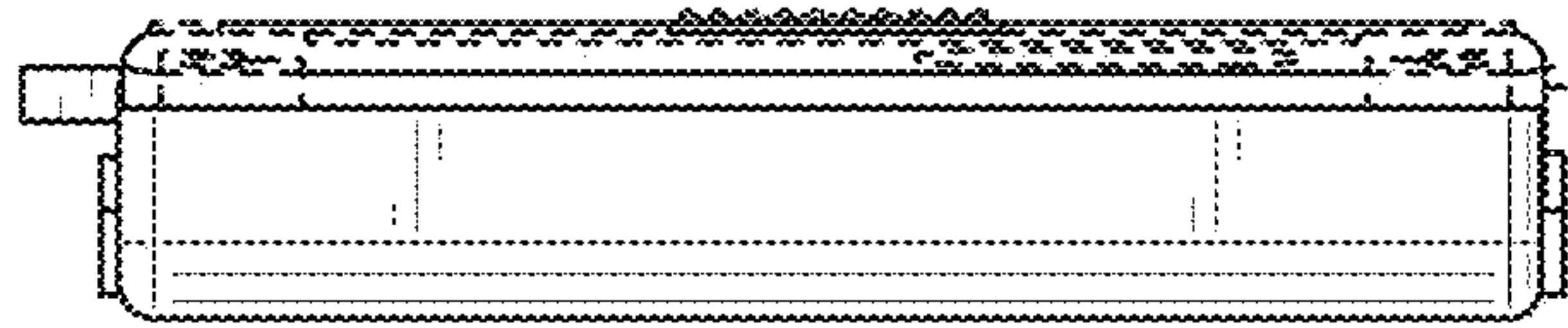


FIG. 16

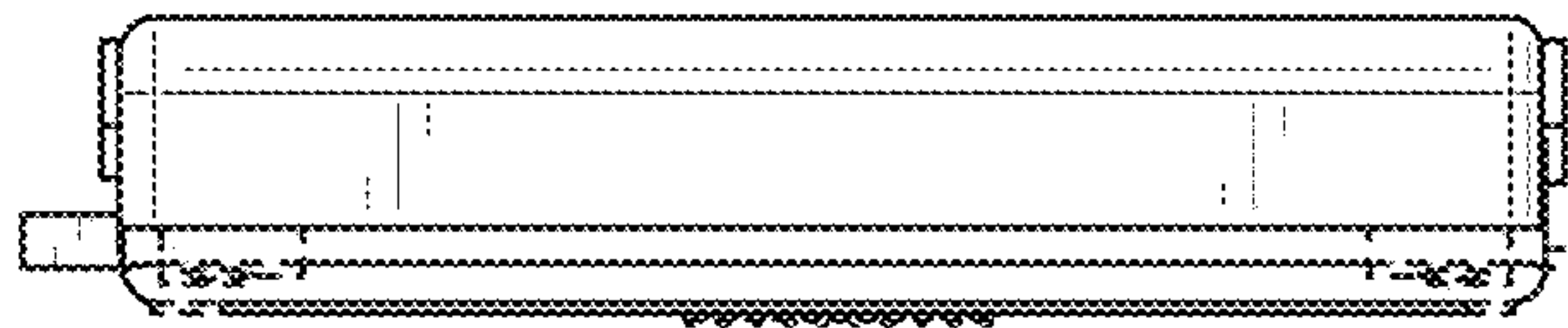


FIG. 17

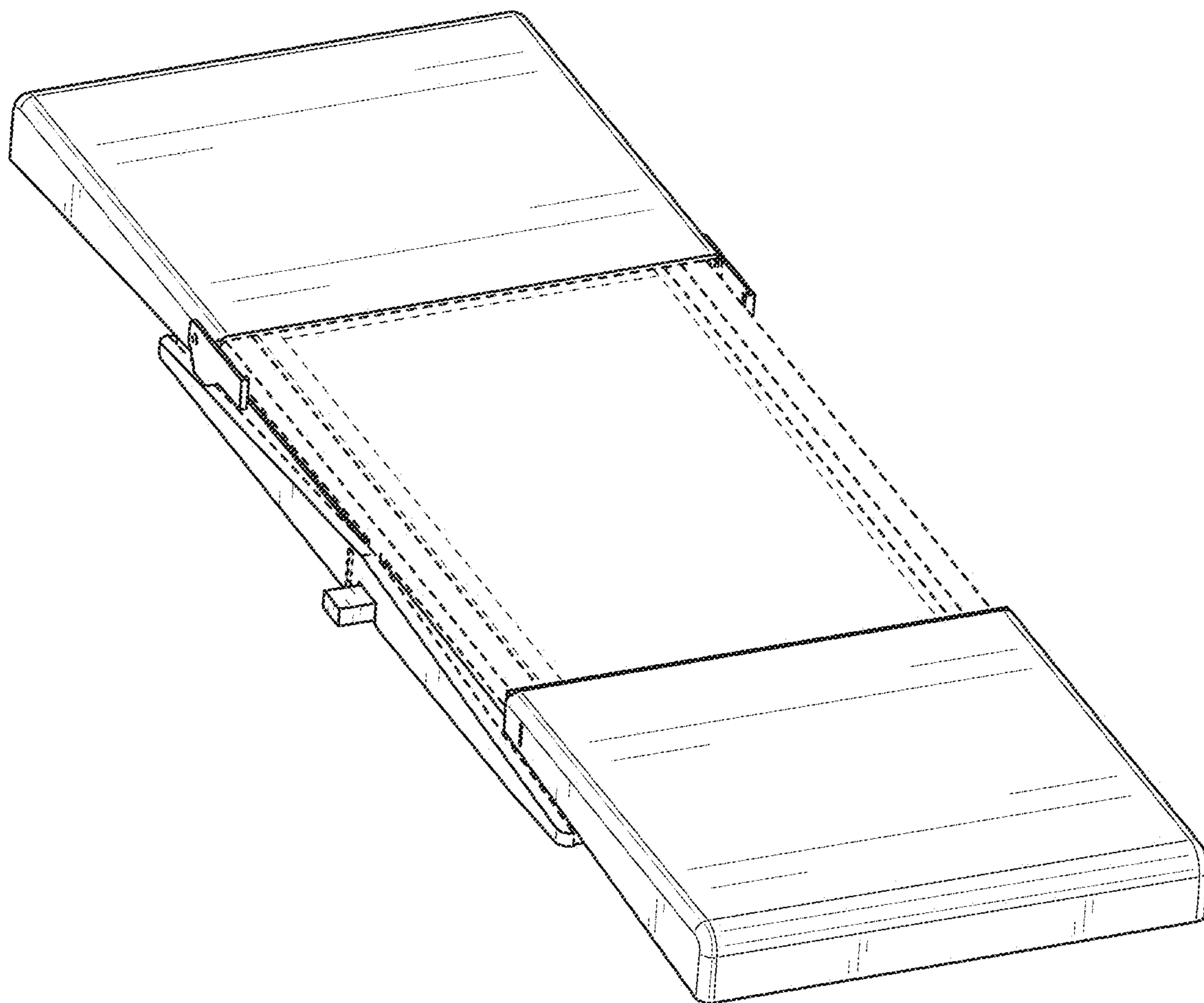


FIG. 18

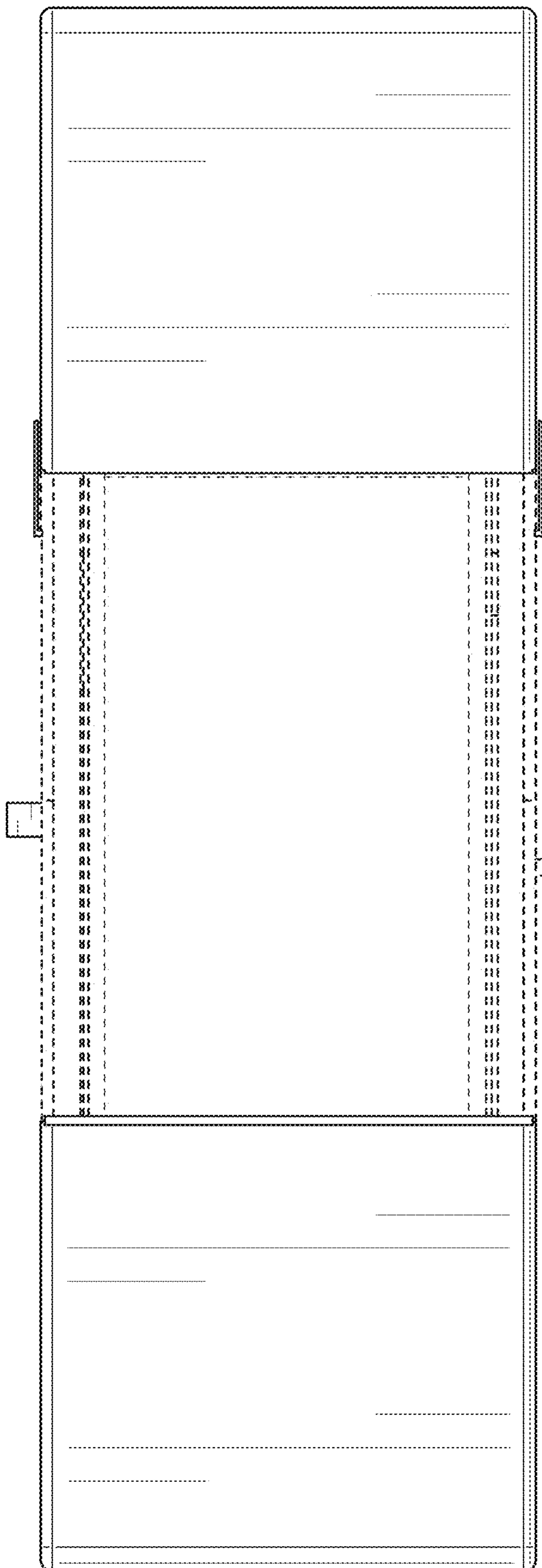


FIG. 19