



US00D964336S

(12) **United States Design Patent** (10) **Patent No.:** **US D964,336 S**
Lee et al. (45) **Date of Patent:** **** Sep. 20, 2022**

(54) **ELECTRONIC DEVICE**

FOREIGN PATENT DOCUMENTS

(71) Applicant: **Samsung Electronics Co., Ltd.**,
Suwon-si (KR)

WO WO-D204130001 * 3/2020

(72) Inventors: **Seo Lee**, Suwon-si (KR); **Seungchan Lee**, Suwon-si (KR); **Sangchulmatt Lee**, Suwon-si (KR); **Hoon Han**, Suwon-si (KR); **Yunjeong Ji**, Suwon-si (KR); **Seonkeun Park**, Suwon-si (KR); **Duyeong Choi**, Suwon-si (KR)

OTHER PUBLICATIONS

TCL's concept device folds twice to fit a 10-inch screen in your pocket _ Engadget, first available Mar. 5, 2020 [online], retrieved Apr. 19, 2022, available at URL: <https://www.engadget.com/2020-03-05-tcl-tri-fold-rollable-extendable-concept-hands-on.html> (Year: 2020) (Year: 2020).*

(73) Assignee: **SAMSUNG ELECTRONICS CO., LTD.**, Suwon-si (KR)

Primary Examiner — Wendy L Arminio
Assistant Examiner — Carrie S Gelula

(74) *Attorney, Agent, or Firm* — McAndrews Held & Malloy, Ltd.

(**) Term: **15 Years**

(57) **CLAIM**

(21) Appl. No.: **29/763,658**

The ornamental design for an electronic device, as shown and described.

(22) Filed: **Dec. 23, 2020**

DESCRIPTION

(30) **Foreign Application Priority Data**

Jun. 30, 2020 (KR) 30-2020-0029809
Jun. 30, 2020 (KR) 30-2020-0029810
(Continued)

FIG. 1 is a front perspective view of an electronic device showing our new design;

FIG. 2 is a front elevation view thereof;

FIG. 3 is a rear elevation view thereof;

FIG. 4 is a left side elevation view thereof;

FIG. 5 is a right side elevation view thereof;

FIG. 6 is a top plan view thereof;

FIG. 7 is a bottom plan view thereof;

FIG. 8 is an enlarged view of the encircled portion in FIG. 1;

FIG. 9 is an enlarged view of the encircled portion in FIG. 1; and,

FIG. 10 is an enlarged view of the encircled portion in FIG. 3.

The short dash-dash broken lines in the figures illustrate portions of the electronic device that form no part of the claimed design. The dot-dot-dash broken lines encircling portions of the claimed design that are illustrated in enlargements form no part of the claimed design.

(51) **LOC (13) Cl.** **14-03**

(52) **U.S. Cl.**
USPC **D14/248**

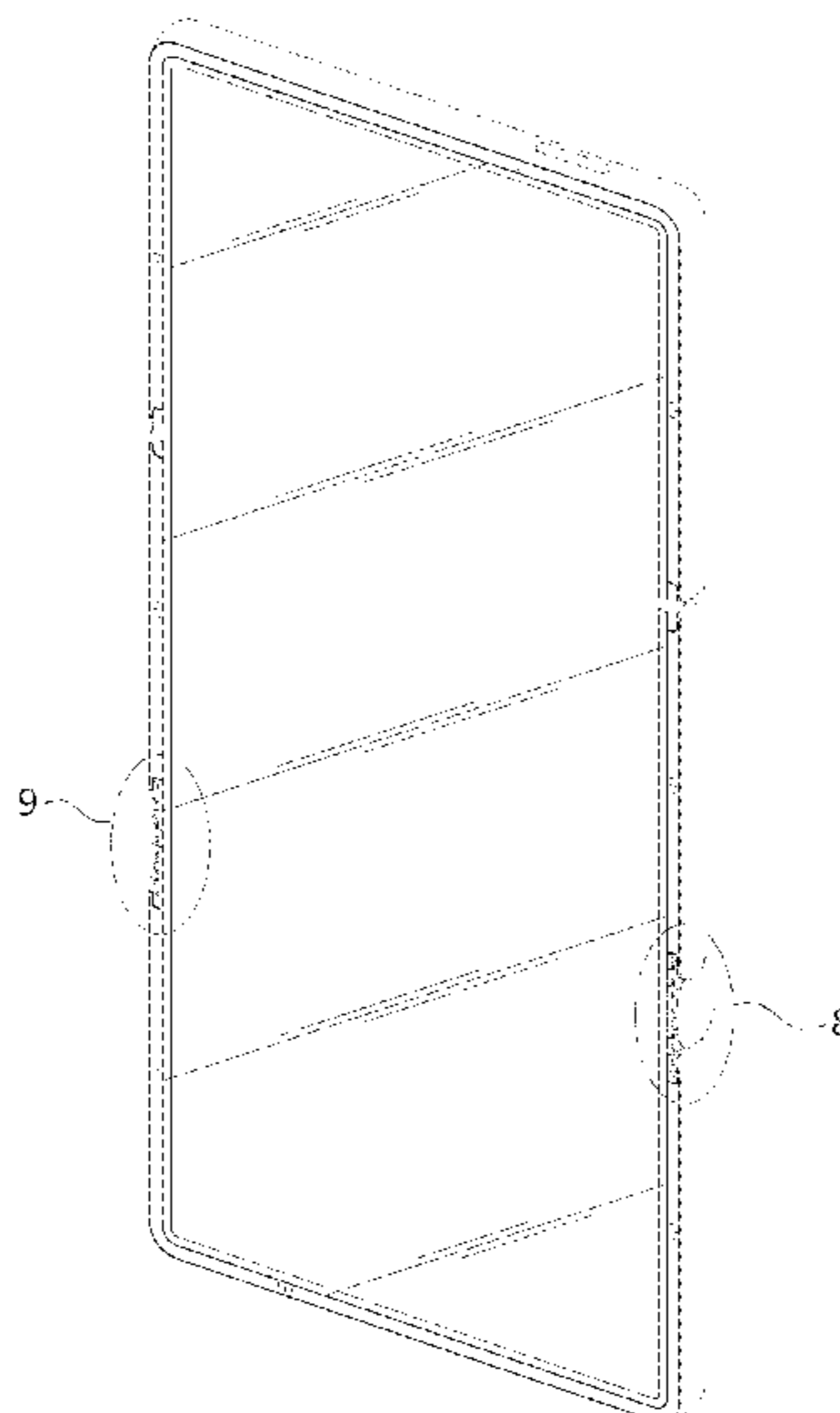
(58) **Field of Classification Search**
USPC D14/127, 138 AA, 138 AB, 138 AC,
D14/138 AD, 138 C, 138 R, 138 G, 203.4,
(Continued)

(56) **References Cited**

U.S. PATENT DOCUMENTS

D594,028 S * 6/2009 Fuchsberg D14/496
D719,542 S * 12/2014 Lee D14/138 AB
(Continued)

1 Claim, 10 Drawing Sheets



(30) **Foreign Application Priority Data**

Jun. 30, 2020 (KR) 30-2020-0029811
 Jun. 30, 2020 (KR) 30-2020-0029812
 Jun. 30, 2020 (KR) 30-2020-0029813
 Jun. 30, 2020 (KR) 30-2020-0029814
 Jun. 30, 2020 (KR) 30-2020-0029872

(58) **Field of Classification Search**

USPC D14/214, 248, 250, 315-318, 330, 341,
 D14/342, 345-347, 373, 426; D21/330
 CPC G06F 1/1652; G06F 1/1641; G06F 1/1647;
 H04M 1/0268

See application file for complete search history.

(56) **References Cited**

U.S. PATENT DOCUMENTS

8,971,029 B2 * 3/2015 Wong G06F 1/1681
 361/679.04
 D757,723 S * 5/2016 Kwak D14/345

D768,624 S * 10/2016 Bae D14/374
 D775,601 S * 1/2017 Lee D14/138 AB
 D775,602 S * 1/2017 Lee D14/138 AB
 9,619,061 B2 * 4/2017 Lee G06F 1/1626
 D788,773 S * 6/2017 Seo D14/345
 D790,537 S * 6/2017 Bae D14/138 AB
 9,857,849 B1 * 1/2018 Siddiqui G06F 1/1618
 D819,628 S * 6/2018 Park D14/248
 D828,318 S * 9/2018 Seo D14/138 AB
 D833,431 S * 11/2018 Bae D14/345
 D894,145 S * 8/2020 Lee D14/138 AB
 D897,302 S * 9/2020 Lee D14/138 AB
 D910,009 S * 2/2021 Wu D14/341
 D910,622 S * 2/2021 Lee D14/341
 D913,282 S * 3/2021 Song D14/371
 D920,272 S * 5/2021 Lee D14/138 AB
 D922,974 S * 6/2021 Bae D14/138 AB
 11,178,264 B2 * 11/2021 Kim H04M 1/0241
 D947,843 S * 4/2022 Bae D14/345
 2011/0241998 A1 * 10/2011 McKinney H04M 1/0247
 345/204

* cited by examiner

FIG. 1

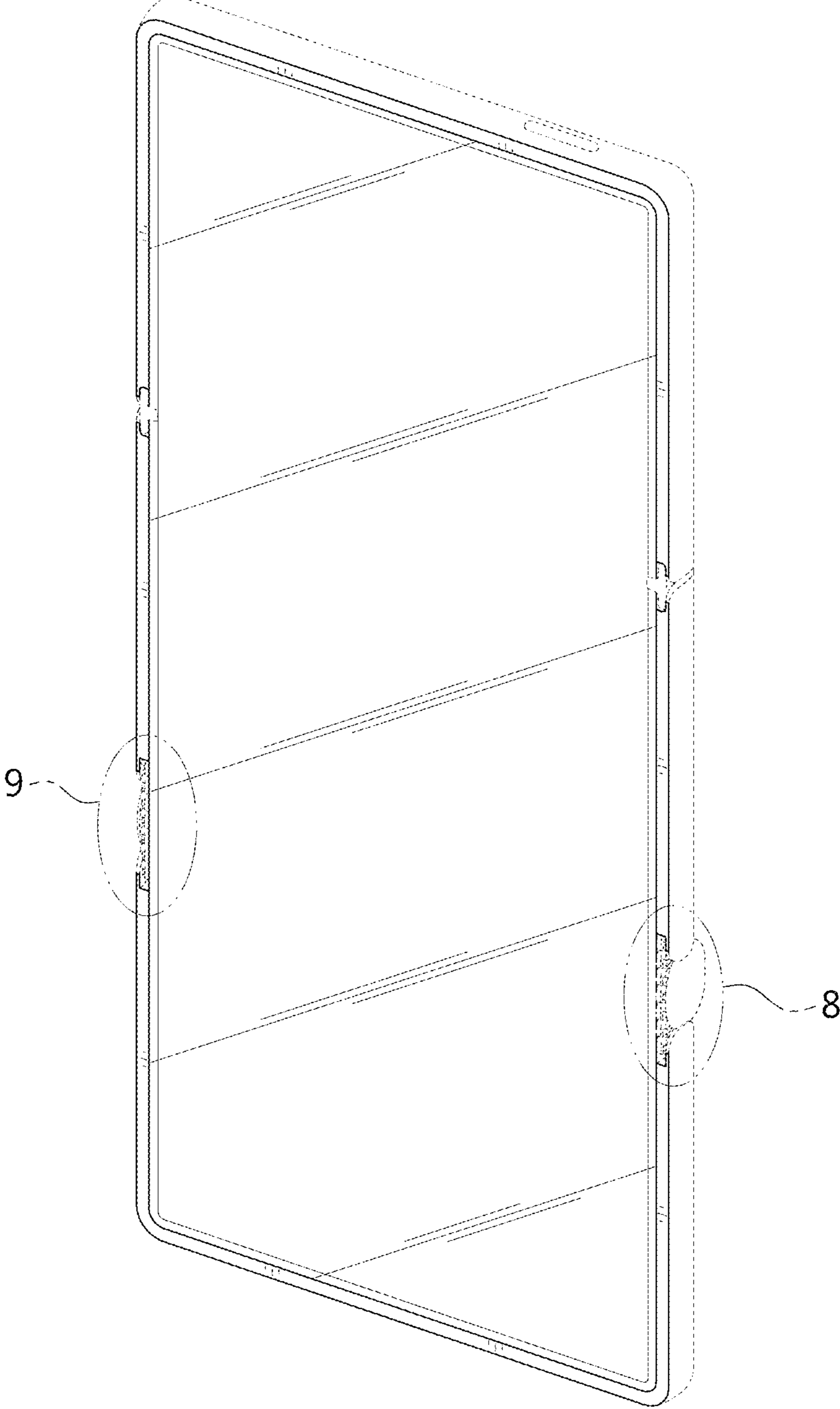


FIG. 2

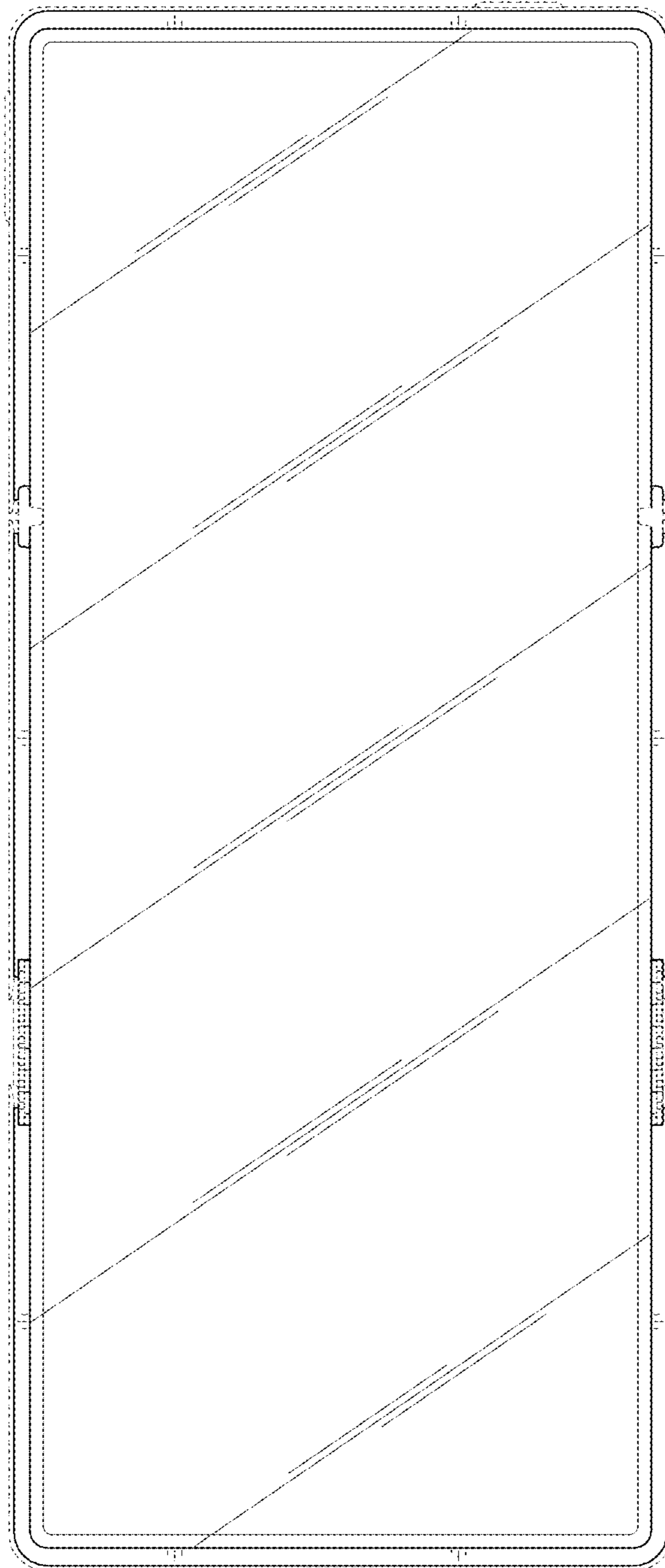


FIG. 3

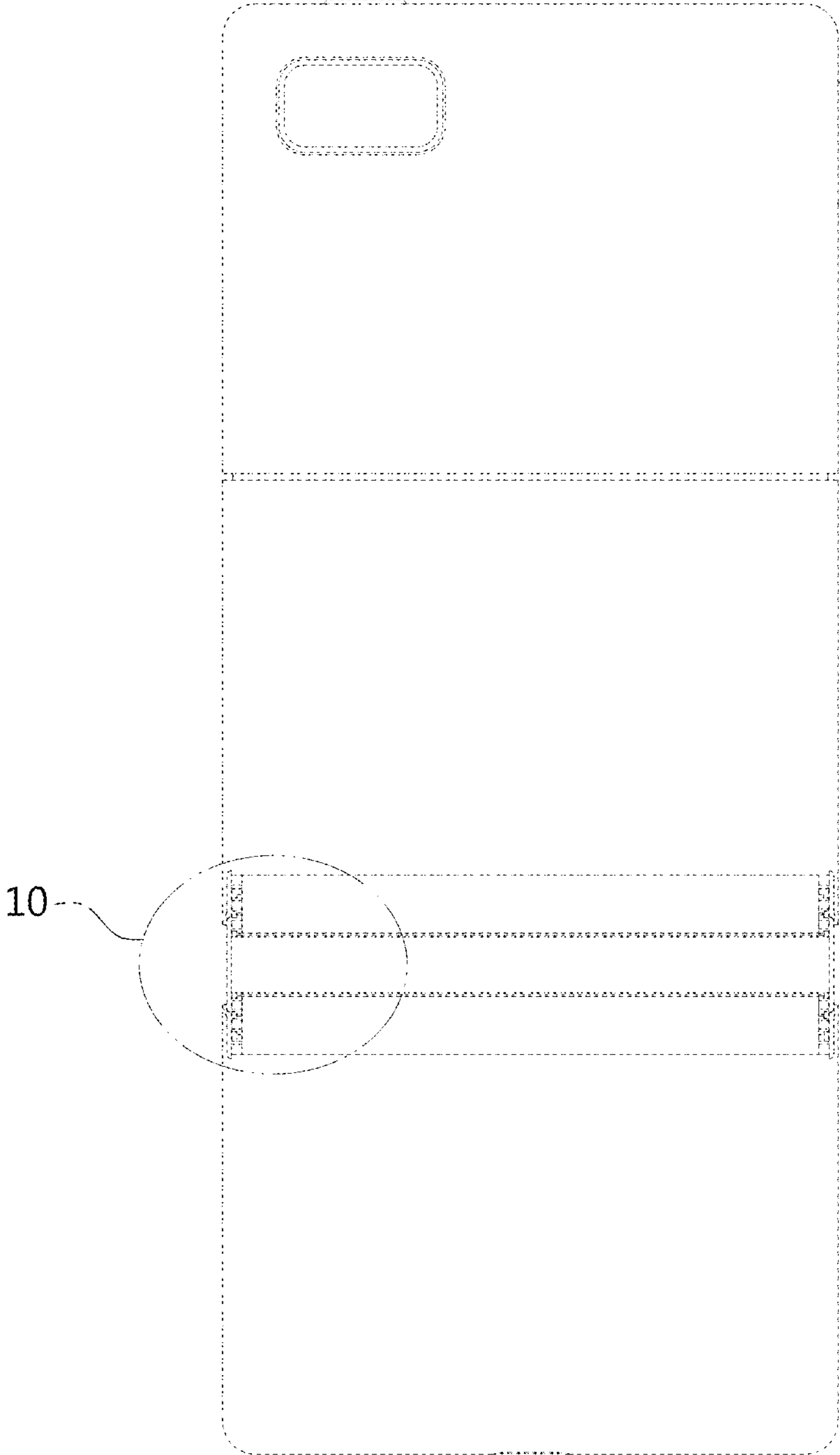


FIG. 4

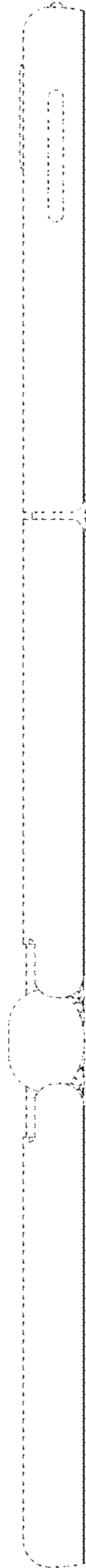


FIG. 5

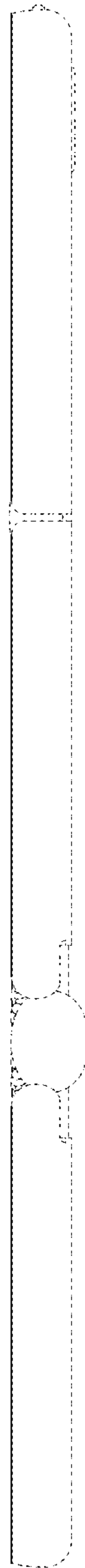


FIG. 6

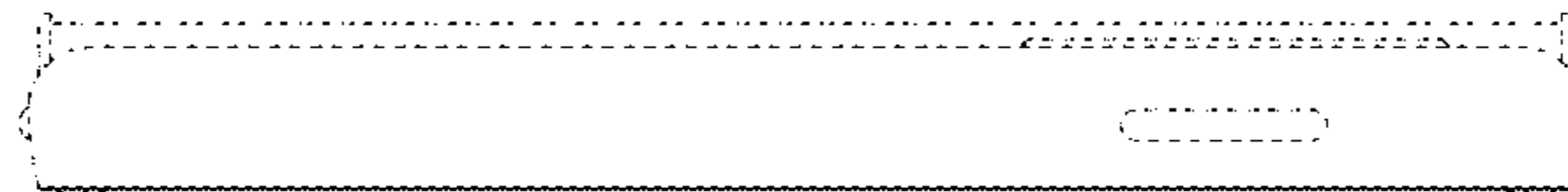


FIG. 7

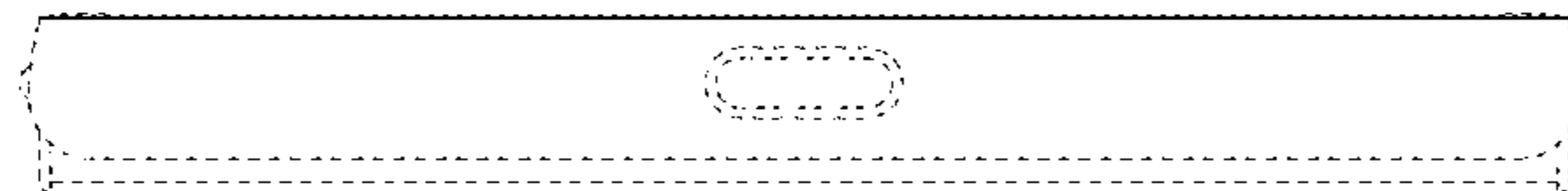


FIG. 8

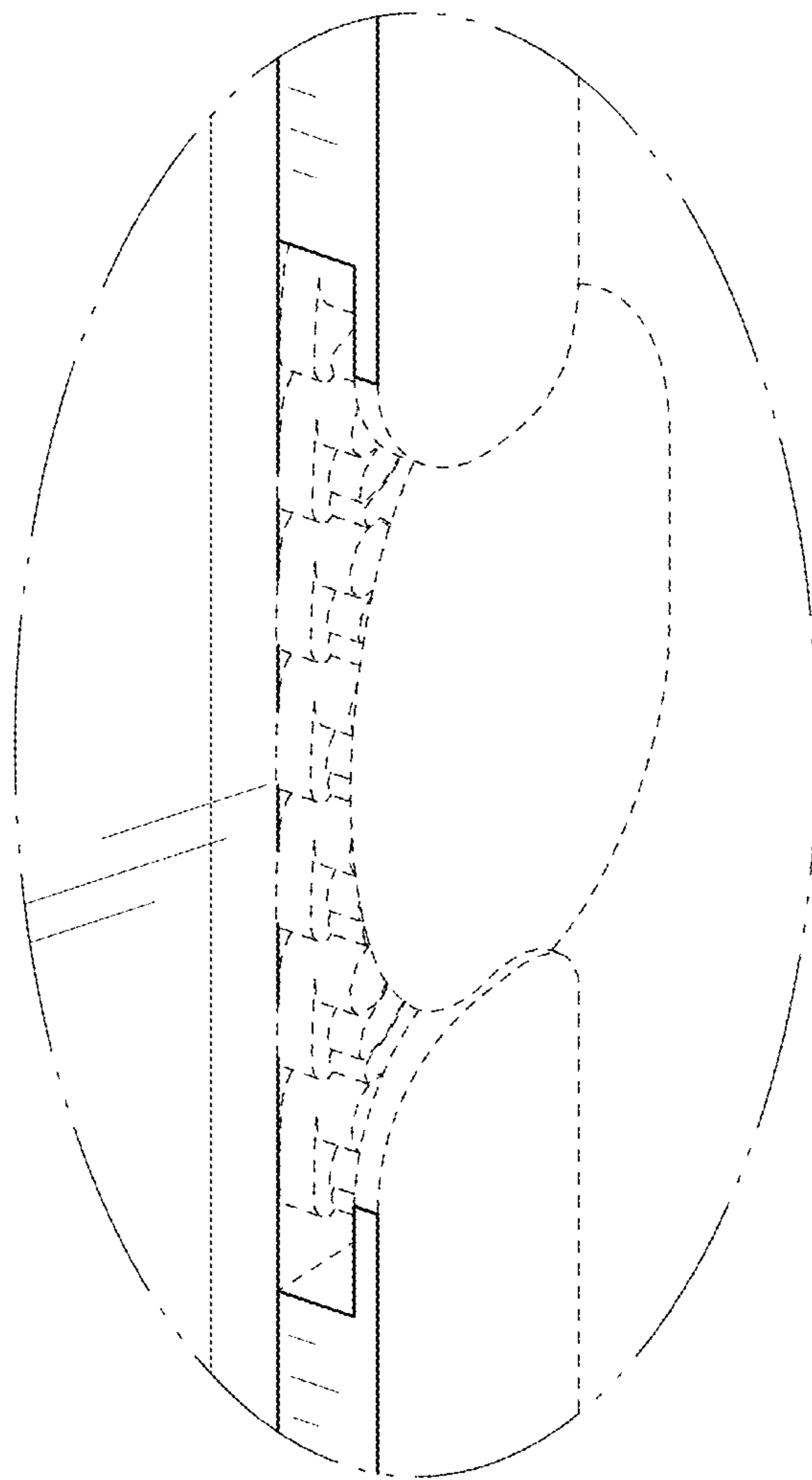


FIG. 9

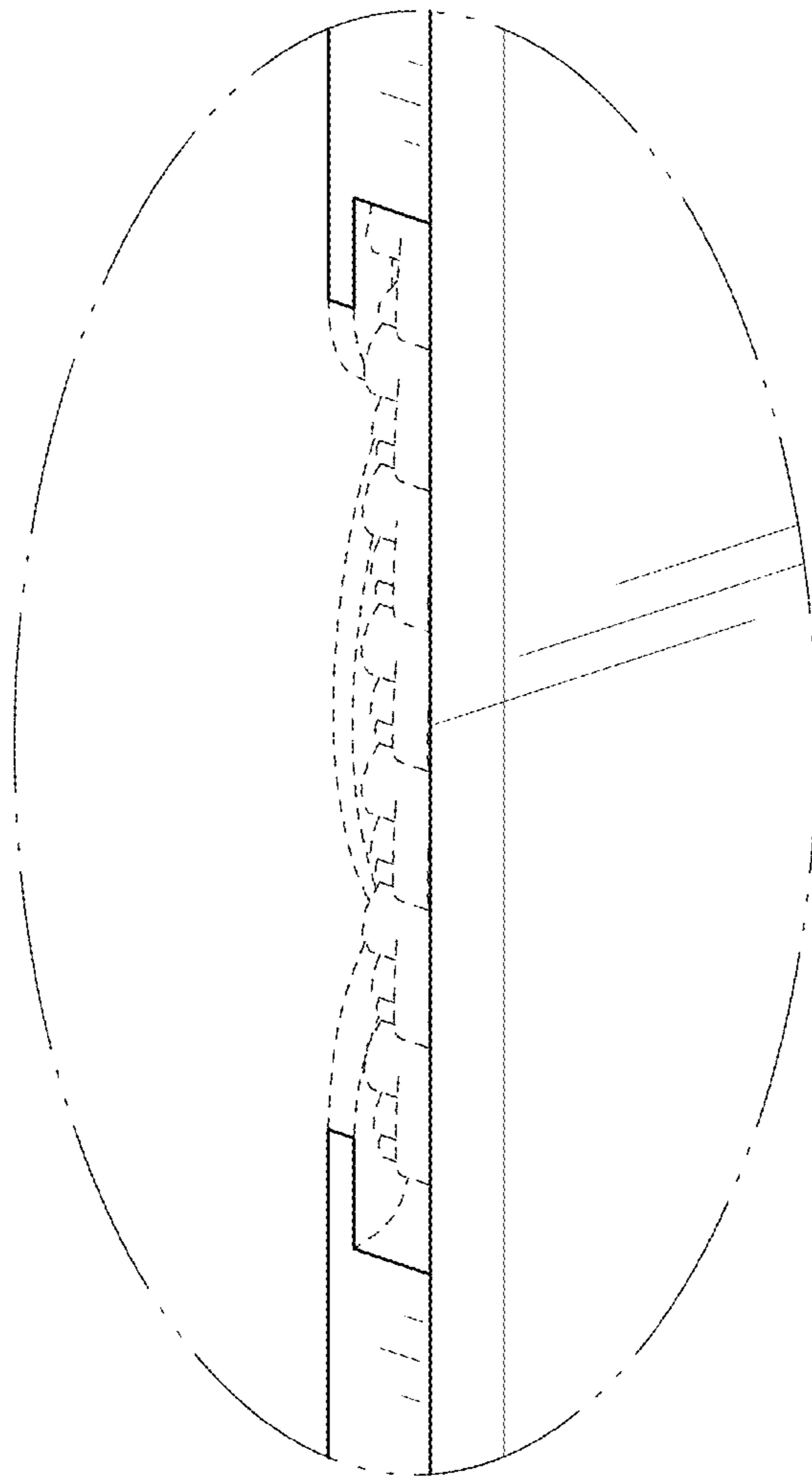


FIG. 10

