



US00D964335S

(12) **United States Design Patent** (10) **Patent No.:** **US D964,335 S**
Akana et al. (45) **Date of Patent:** **** Sep. 20, 2022**

(54) **DISPLAY FOR ELECTRONIC DEVICE**

(71) Applicant: **Apple Inc.**, Cupertino, CA (US)

(72) Inventors: **Jody Akana**, San Francisco, CA (US); **Bartley K. Andre**, Palo Alto, CA (US); **Jeremy Bataillou**, San Francisco, CA (US); **Sawyer Isaac Cohen**, Sunnyvale, CA (US); **Daniel J. Coster**, San Francisco, CA (US); **Daniele De Iulii**, San Francisco, CA (US); **M. Evans Hankey**, San Francisco, CA (US); **Julian Hoenig**, San Francisco, CA (US); **Richard P. Howarth**, San Francisco, CA (US); **Jonathan P. Ive**, San Francisco, CA (US); **Duncan Robert Kerr**, San Francisco, CA (US); **Shin Nishibori**, Kailua, HI (US); **David A. Pakula**, San Francisco, CA (US); **Matthew Dean Rohrbach**, San Francisco, CA (US); **Peter Russell-Clarke**, San Francisco, CA (US); **Ashutosh Y. Shukla**, Santa Clara, CA (US); **Ian Spraggs**, San Francisco, CA (US); **Christopher J. Stringer**, Woodside, CA (US); **Eugene Antony Whang**, San Francisco, CA (US); **Michael Benjamin Wittenberg**, Sunnyvale, CA (US); **Rico Zörkendörfer**, San Francisco, CA (US)

(73) Assignee: **Apple Inc.**, Cupertino, CA (US)

(**) Term: **15 Years**

(21) Appl. No.: **29/697,956**

(22) Filed: **Jul. 12, 2019**

Related U.S. Application Data

(63) Continuation of application No. 29/576,417, filed on Sep. 2, 2016, now Pat. No. Des. 854,000, which is a (Continued)

(51) **LOC (13) Cl.** **14-03**

(52) **U.S. Cl.**
USPC **D14/248**

(58) **Field of Classification Search**
USPC ... D14/248, 250, 138 R, 439, 432, 347, 341, D14/203.3, 203.7

(Continued)

(56) **References Cited**

U.S. PATENT DOCUMENTS

D304,448 S 11/1989 De La Cruz et al.
D455,433 S 4/2002 Alviar et al.

(Continued)

FOREIGN PATENT DOCUMENTS

JP 1351273 2/2009
JP 1474567 7/2013

(Continued)

Primary Examiner — Michelle E. Wilson

Assistant Examiner — Clese Moore, Jr.

(74) *Attorney, Agent, or Firm* — Sterne, Kessler, Goldstein & Fox P.L.L.C.

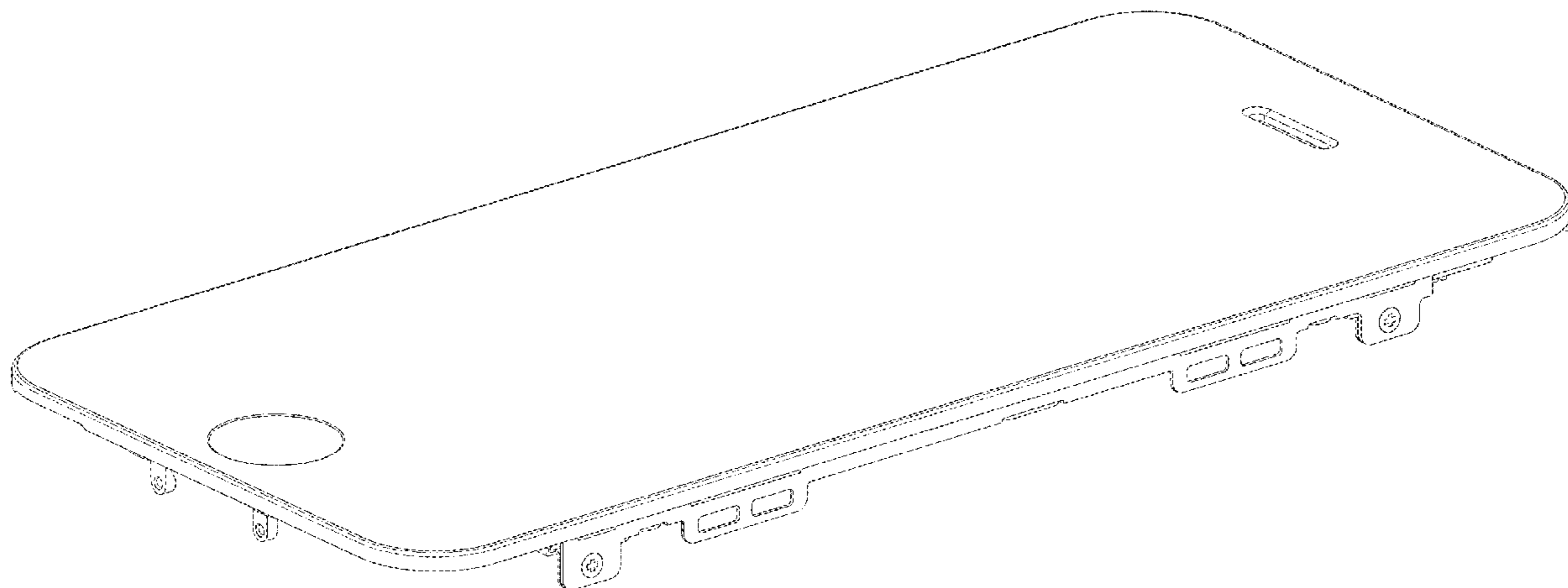
(57) **CLAIM**

The ornamental design for a display for electronic device, as shown and described.

DESCRIPTION

FIG. 1 is a bottom front perspective view of a display for electronic device showing the claimed design; FIG. 2 is a bottom rear perspective view thereof; FIG. 3 is a front view thereof; FIG. 4 is a rear view thereof; FIG. 5 is a left side view thereof; FIG. 6 is a right side view thereof; and, FIG. 7 is a bottom plan view thereof. The broken lines in the figures show portions of the display for electronic device that form no part of the claimed design.

1 Claim, 6 Drawing Sheets



Related U.S. Application Data

continuation of application No. 29/510,611, filed on Dec. 1, 2014, now Pat. No. Des. 765,625, which is a continuation of application No. 29/431,725, filed on Sep. 10, 2012, now Pat. No. Des. 718,753.

(58) **Field of Classification Search**

CPC H04M 1/0266; H04M 1/0277; H04M 1/0283; H04M 1/0202

See application file for complete search history.

(56)

References Cited

U.S. PATENT DOCUMENTS

D481,383 S 10/2003 He et al.
 D489,071 S 4/2004 Nishioka et al.
 D489,072 S 4/2004 Nishioka et al.
 D489,073 S 4/2004 Nishioka et al.
 D489,074 S 4/2004 Nishioka et al.
 D500,037 S 12/2004 Ozolins et al.
 D504,889 S 5/2005 Andre et al.
 6,900,388 B2 5/2005 Wang et al.
 D513,617 S 1/2006 Tierney
 7,236,357 B2 6/2007 Chen
 D557,239 S 12/2007 Lee
 7,303,424 B2 12/2007 Tu et al.
 D558,756 S 1/2008 Andre et al.
 D558,757 S 1/2008 Andre et al.
 D558,758 S 1/2008 Andre et al.
 D561,153 S 2/2008 Hong et al.
 D563,432 S 3/2008 Kim
 D569,830 S 5/2008 Kwak
 D570,346 S 6/2008 Suk et al.
 D574,819 S 8/2008 Andre et al.
 D575,259 S 8/2008 Kim et al.
 D580,387 S 11/2008 Andre et al.
 D581,922 S 12/2008 Andre et al.
 D592,211 S 5/2009 Ichise et al.
 D592,212 S 5/2009 Hamada et al.
 D593,087 S * 5/2009 Andre D14/138 G
 D594,863 S 6/2009 Ichise et al.
 D599,342 S 9/2009 Andre et al.
 D600,241 S 9/2009 Andre et al.
 D600,690 S 9/2009 Miyaji
 D602,014 S 10/2009 Andre et al.
 D602,015 S 10/2009 Andre et al.
 D602,016 S 10/2009 Andre et al.
 D602,017 S 10/2009 Andre et al.
 D602,486 S 10/2009 Andre et al.
 D602,488 S 10/2009 Jiang et al.
 D604,297 S 11/2009 Andre et al.
 D606,129 S 12/2009 Ben-Moshe
 D610,135 S 2/2010 Hofer et al.
 7,660,560 B2 2/2010 Zuo et al.
 D613,735 S 4/2010 Andre et al.
 D613,736 S 4/2010 Andre et al.
 7,697,281 B2 4/2010 Dabov et al.
 D615,083 S 5/2010 Andre et al.
 D616,875 S 6/2010 Oh et al.
 D617,792 S 6/2010 Andre et al.
 D618,677 S 6/2010 Andre et al.
 D618,678 S 6/2010 Andre et al.
 D619,361 S 7/2010 Andre et al.
 D621,807 S 8/2010 Stone
 D622,270 S 8/2010 Andre et al.
 D622,718 S 8/2010 Andre et al.
 D622,719 S 8/2010 Andre et al.
 D622,720 S 8/2010 Andre et al.
 D623,183 S 9/2010 Hong et al.
 D624,304 S 9/2010 Danze et al.
 D624,536 S 9/2010 Andre et al.
 D625,303 S 10/2010 Kim
 D625,307 S 10/2010 Cheng
 D626,937 S 11/2010 Yeo et al.
 D627,777 S 11/2010 Akana et al.
 D627,778 S 11/2010 Akana et al.

D629,387 S 12/2010 Lee
 D629,772 S 12/2010 Mo et al.
 D629,787 S 12/2010 Lee
 D629,788 S 12/2010 Lee
 D629,799 S 12/2010 Andre et al.
 D630,630 S 1/2011 Andre et al.
 7,869,206 B2 1/2011 Dabov et al.
 7,876,274 B2 1/2011 Hobson et al.
 D630,090 S 2/2011 Andre et al.
 D633,090 S 2/2011 Andre et al.
 D633,091 S 2/2011 Andre et al.
 7,889,139 B2 2/2011 Hobson et al.
 D633,460 S 3/2011 Yi et al.
 D633,493 S 3/2011 Akana et al.
 D633,908 S 3/2011 Akana et al.
 D634,319 S 3/2011 Andre et al.
 D634,742 S 3/2011 Andre et al.
 D636,390 S 4/2011 Andre et al.
 D636,392 S 4/2011 Akana et al.
 7,924,231 B2 4/2011 Hill et al.
 7,933,123 B2 4/2011 Wang et al.
 D637,596 S 5/2011 Akana et al.
 D638,814 S 5/2011 Sutherland et al.
 D638,835 S 5/2011 Akana et al.
 D639,261 S 6/2011 Garnham et al.
 D639,805 S 6/2011 Song et al.
 D640,219 S 6/2011 Sutherland et al.
 D640,578 S 6/2011 Aihara et al.
 D640,646 S 6/2011 Wu et al.
 D640,661 S 6/2011 Hu et al.
 D640,663 S 6/2011 Arnholt et al.
 D642,151 S 7/2011 Chun et al.
 D642,563 S 8/2011 Akana et al.
 D644,194 S 8/2011 Joung et al.
 D644,218 S 8/2011 Akana et al.
 D645,833 S 9/2011 Seflic et al.
 8,014,135 B2 9/2011 Yu
 D647,106 S 10/2011 Akana et al.
 D647,519 S 10/2011 Rothbaum et al.
 D647,882 S 11/2011 Kim et al.
 D648,704 S 11/2011 Hofer et al.
 D649,150 S 11/2011 Takahashi et al.
 D649,526 S 11/2011 Hu
 D649,539 S 11/2011 Hong
 D651,606 S 1/2012 Luijben
 D652,015 S 1/2012 Han
 D652,814 S 1/2012 Choi et al.
 8,102,319 B2 1/2012 Schlub et al.
 8,106,836 B2 1/2012 Hill et al.
 D653,640 S 2/2012 Kwon et al.
 D653,642 S 2/2012 Han
 D654,461 S 2/2012 Kim et al.
 8,116,073 B2 2/2012 Hung et al.
 D657,764 S 4/2012 Hong
 D657,782 S 4/2012 Biller
 D658,147 S 4/2012 Yoon
 D658,148 S 4/2012 Park et al.
 D661,707 S 6/2012 Akana et al.
 D662,922 S * 7/2012 Akana D14/250
 D666,202 S * 8/2012 Dinh D14/439
 8,264,837 B2 9/2012 Pakula et al.
 D669,071 S 10/2012 Akana et al.
 D671,947 S 12/2012 Akana et al.
 D672,343 S 12/2012 Akana et al.
 D673,948 S 1/2013 Andre et al.
 D674,383 S 1/2013 Andre et al.
 D675,202 S 1/2013 Andre et al.
 D677,657 S 3/2013 Akana et al.
 D677,664 S 3/2013 Akana et al.
 D677,666 S * 3/2013 Akana D14/439
 D678,261 S * 3/2013 Akana D14/250
 D681,032 S 4/2013 Akana et al.
 D684,571 S 6/2013 Akana et al.
 D689,475 S 9/2013 Andre et al.
 D692,878 S 11/2013 Akana et al.
 D692,879 S 11/2013 Andre et al.
 D695,316 S 12/2013 Akana et al.
 D697,511 S 1/2014 Andre et al.
 D699,717 S 2/2014 Akana et al.

(56)

References Cited

U.S. PATENT DOCUMENTS

D703,633 S * 4/2014 Akana D14/138 R
 8,684,613 B2 4/2014 Weber
 D706,253 S 6/2014 Simmer
 D707,223 S 6/2014 Akana et al.
 D707,648 S 6/2014 Ryu et al.
 D710,814 S 8/2014 Im
 D710,843 S 8/2014 Akana
 D714,053 S 9/2014 Yoo
 D714,272 S 9/2014 Park et al.
 D714,294 S * 9/2014 Dinh D14/439
 D714,771 S 10/2014 Rayner
 D716,780 S 11/2014 Park
 D716,781 S 11/2014 Andre et al.
 D717,800 S 11/2014 Akana et al.
 D718,753 S 12/2014 Akana et al.
 D718,767 S 12/2014 Akana et al.
 D728,545 S 5/2015 Koh
 D730,361 S 5/2015 Akana et al.
 D731,481 S 6/2015 Akana et al.
 D732,040 S 6/2015 Chuang et al.
 D732,540 S 6/2015 Kang et al.
 D735,175 S 7/2015 Liu et al.
 D735,176 S 7/2015 Liu et al.
 D743,391 S 11/2015 Akana et al.
 D747,319 S 1/2016 Lee
 D747,723 S 1/2016 Kim et al.
 D748,062 S 1/2016 Akana et al.
 D749,563 S 2/2016 Akana et al.
 D749,590 S 2/2016 Dinh et al.
 D751,559 S 3/2016 Babiarz et al.
 D758,961 S 6/2016 Aoyagi et al.
 D759,008 S 6/2016 Akana et al.
 D764,434 S * 8/2016 Akana D14/203.7
 D768,637 S 10/2016 Akana et al.
 D771,025 S 11/2016 Lee et al.
 D772,877 S 11/2016 Akana et al.
 D777,714 S * 1/2017 Akana D14/250
 D791,139 S 7/2017 Akana et al.
 D811,408 S 2/2018 Wadsworth et al.
 D832,266 S * 10/2018 Akana D14/439

D832,850 S * 11/2018 Oh D14/439
 D852,195 S * 6/2019 Aoyagi D14/439
 D854,000 S * 7/2019 Akana D14/248
 2006/0139856 A1 6/2006 Liu et al.
 2006/0160411 A1 7/2006 Lai et al.
 2006/0281501 A1 12/2006 Zuo et al.
 2007/0082718 A1 4/2007 Yoon et al.
 2008/0316116 A1 12/2008 Hobson et al.
 2008/0316121 A1 12/2008 Hobson et al.
 2009/0067141 A1 3/2009 Dabov et al.
 2009/0245565 A1 10/2009 Mittleman et al.
 2009/0247244 A1 10/2009 Mittleman et al.
 2010/0105452 A1 4/2010 Shin et al.
 2010/0277877 A1 11/2010 Dinh et al.
 2011/0151945 A1 6/2011 Jiang et al.
 2011/0164365 A1 7/2011 McClure et al.
 2011/0164370 A1 7/2011 McClure et al.
 2011/0188179 A1 8/2011 Myers et al.
 2011/0216486 A1 9/2011 Ho et al.
 2011/0255218 A1 10/2011 Pakula et al.
 2012/0002352 A1 1/2012 Hsiung
 2012/0009974 A1 1/2012 Sunderland
 2012/0044123 A1 2/2012 Rothkopf et al.
 2012/0050988 A1 3/2012 Rothkopf et al.
 2012/0051025 A1 3/2012 Jol et al.
 2012/0073115 A1 3/2012 Filson et al.
 2012/0086648 A1 4/2012 Leung
 2012/0087066 A1 4/2012 Leggett
 2012/0092812 A1 4/2012 Lewis et al.
 2013/0076965 A1 3/2013 Dabov
 2013/0113348 A1 5/2013 Holben et al.
 2013/0175186 A1 7/2013 Simmer

FOREIGN PATENT DOCUMENTS

JP 1481759 10/2013
 JP 1496834 5/2014
 TW D136926 9/2010
 TW D137773 11/2010
 TW D139493 11/2011
 TW D147559 6/2012

* cited by examiner

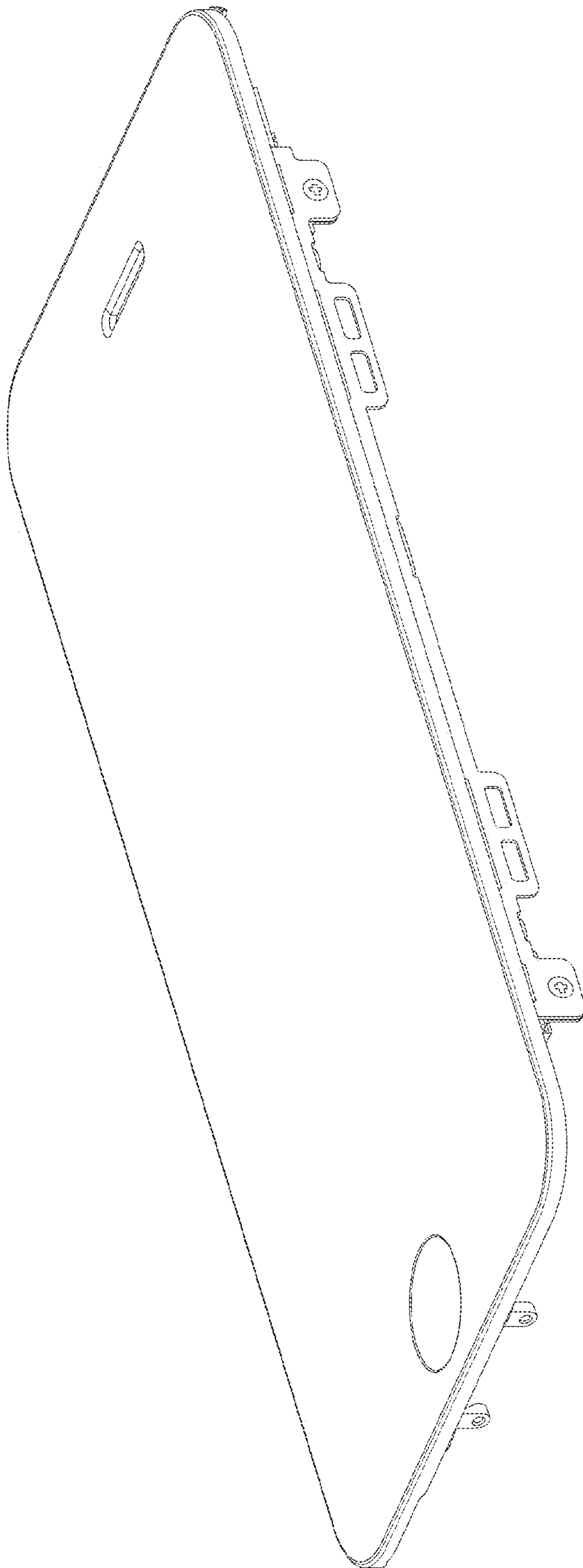


FIG. 1

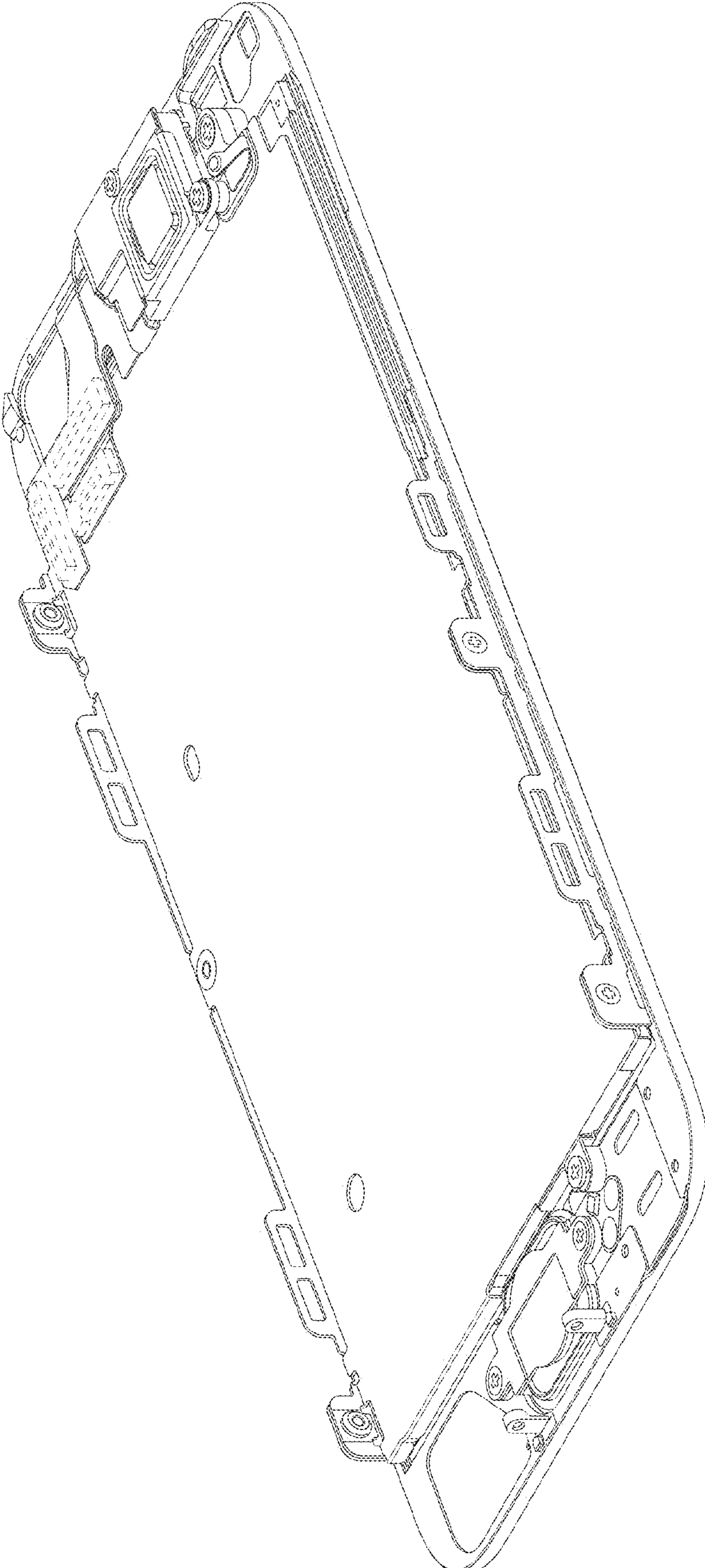


FIG. 2

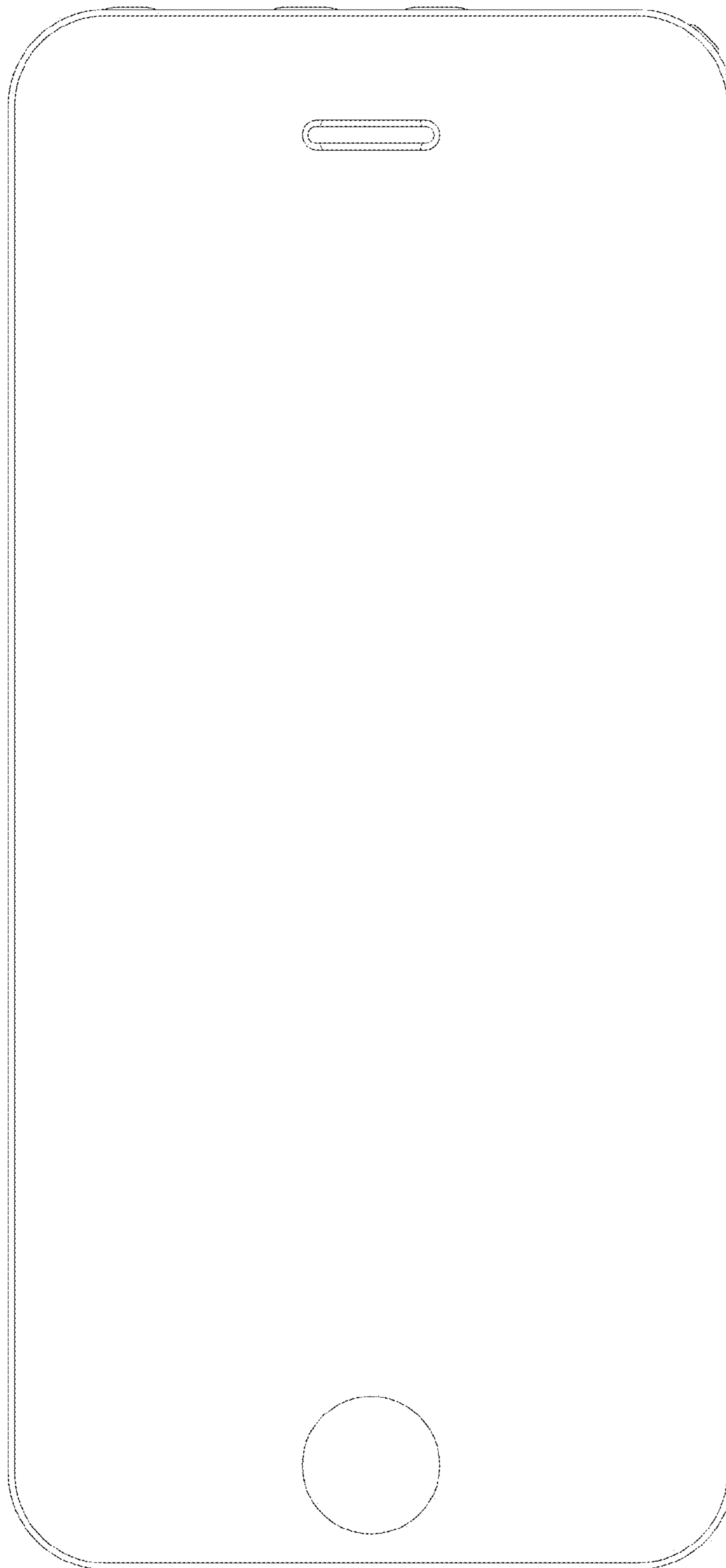


FIG. 3

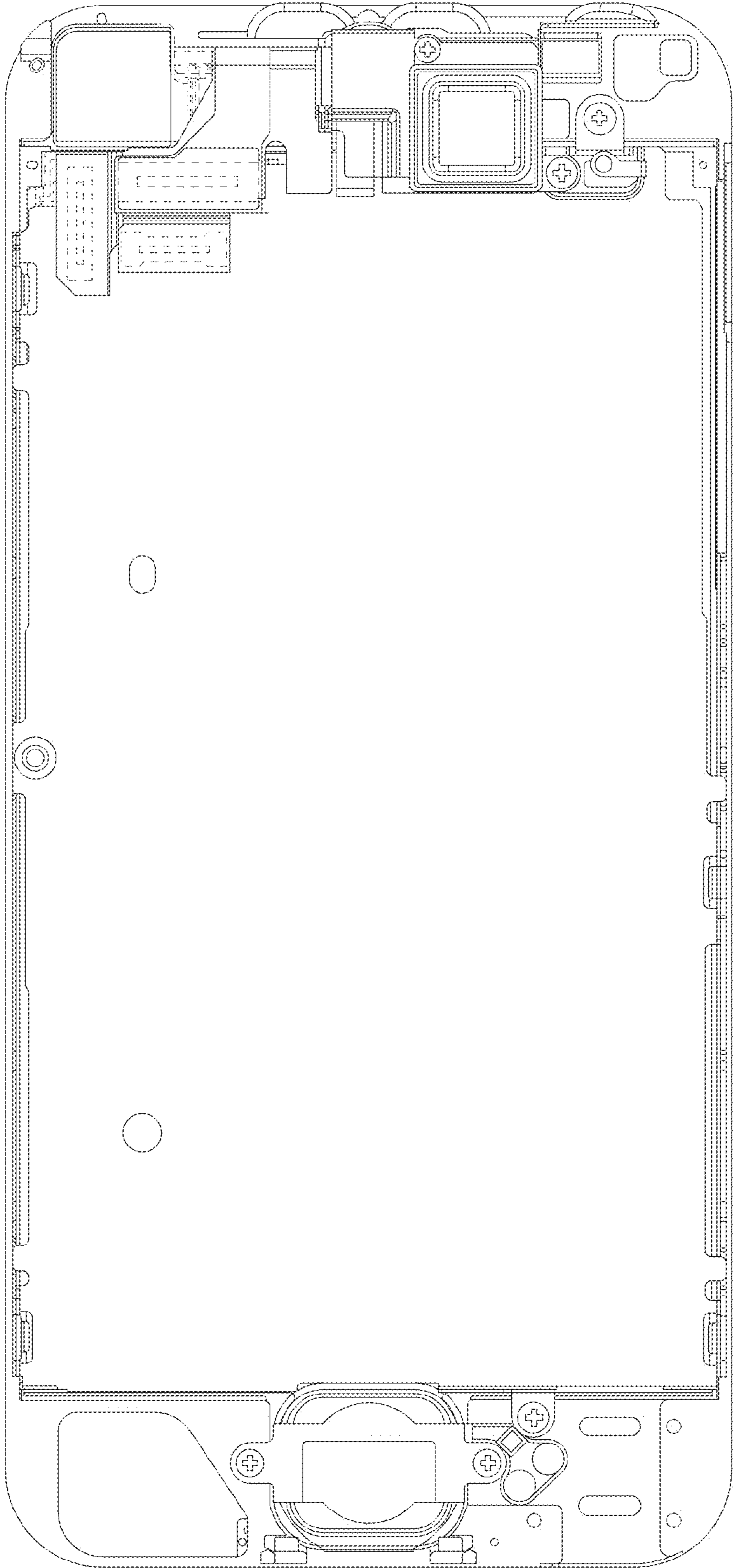


FIG. 4

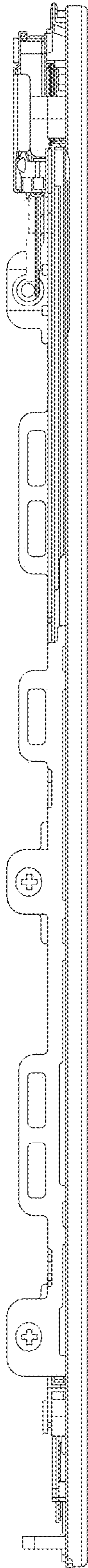


FIG. 5

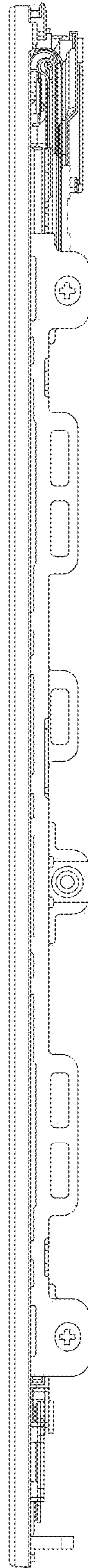


FIG. 6

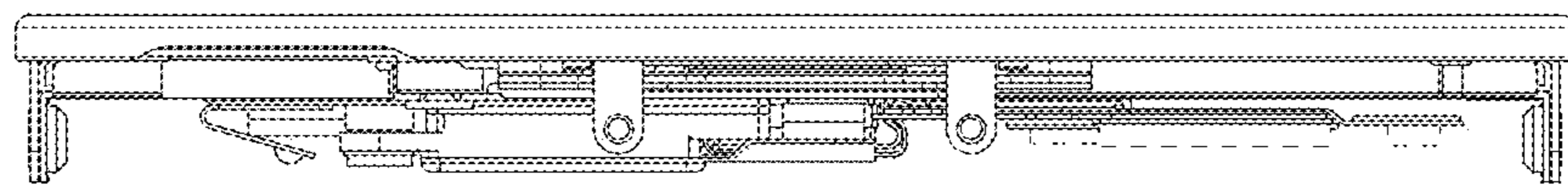


FIG. 7