

US00D964333S

(12) **United States Design Patent** (10) **Patent No.:** **US D964,333 S**  
**Bould et al.** (45) **Date of Patent:** **\*\* Sep. 20, 2022**

(54) **WIRELESS CONNECTIVITY DEVICE**

FOREIGN PATENT DOCUMENTS

(71) Applicant: **Amazon Technologies, Inc.**, Seattle, WA (US)

CN 304933696 12/2018  
EM 007223177-0001 \* 11/2019

(Continued)

(72) Inventors: **Fred Bould**, Menlo Park, CA (US); **Jeremy Paul Wolf**, San Francisco, CA (US); **Jamie Starr Perin**, San Francisco, CA (US); **Robert Nicholas Dean**, San Francisco, CA (US)

OTHER PUBLICATIONS

Amazon, "Amazon eero 6 dual-band mesh Wi-Fi 6 system with built-in Zigbee smart home hub (3-pack, one eero 6 router + two eero 6 extenders)", retrieved on Jun. 17, 2021 at «[https://www.amazon.com/Amazon-eero-6-3-pack/dp/B085WSCTS4/ref=sr\\_1\\_6?dchild=1&keywords=range%2Bextender%2C%2Bnetwork%2Bswitch%2C%2Bnetwork%2Bhub%2C%2Bnetwork%2Brouter%2C%2Bnetwork%2Bmodem&qid=1623944086&sr=8-6&th=1](https://www.amazon.com/Amazon-eero-6-3-pack/dp/B085WSCTS4/ref=sr_1_6?dchild=1&keywords=range%2Bextender%2C%2Bnetwork%2Bswitch%2C%2Bnetwork%2Bhub%2C%2Bnetwork%2Brouter%2C%2Bnetwork%2Bmodem&qid=1623944086&sr=8-6&th=1)», Amazon, 2021.

(Continued)

(73) Assignee: **Amazon Technologies, Inc.**, Seattle, WA (US)

(\*\*) Term: **15 Years**

*Primary Examiner* — Bridget L Eland

(21) Appl. No.: **29/804,820**

(74) *Attorney, Agent, or Firm* — Lee & Hayes, P.C.

(22) Filed: **Aug. 23, 2021**

**Related U.S. Application Data**

(62) Division of application No. 29/714,469, filed on Nov. 22, 2019, now Pat. No. Des. 931,265.

(51) **LOC (13) Cl.** ..... **14-03**

(52) **U.S. Cl.**  
USPC ..... **D14/242**

(58) **Field of Classification Search**  
USPC .... D14/240, 242, 357, 358, 140-140.9, 155, D14/125, 137, 139, 243, 348, 349, 351, D14/354, 355  
CPC ..... H04L 12/00; H03K 17/00; H04W 88/00; H04W 88/005; H04W 88/02; H04W 88/08; H04W 88/085; H04W 88/10; H04W 88/12; H04W 88/14; H04B 1/38  
See application file for complete search history.

**CLAIM**

(57) The ornamental design for a wireless connectivity device, as shown and described.

**DESCRIPTION**

FIG. 1 is a top, front, right-side perspective view of a wireless connectivity device;  
FIG. 2 is a top, back, right-side perspective view thereof;  
FIG. 3 is a bottom, front, left-side perspective view thereof;  
FIG. 4 is a front view thereof;  
FIG. 5 is a back view thereof;  
FIG. 6 is a left-side view thereof;  
FIG. 7 is a right-side view thereof;  
FIG. 8 is a top view thereof; and,  
FIG. 9 is a bottom view thereof.  
The dashed broken lines depict portions of the wireless connectivity device that form no part of the claimed design.

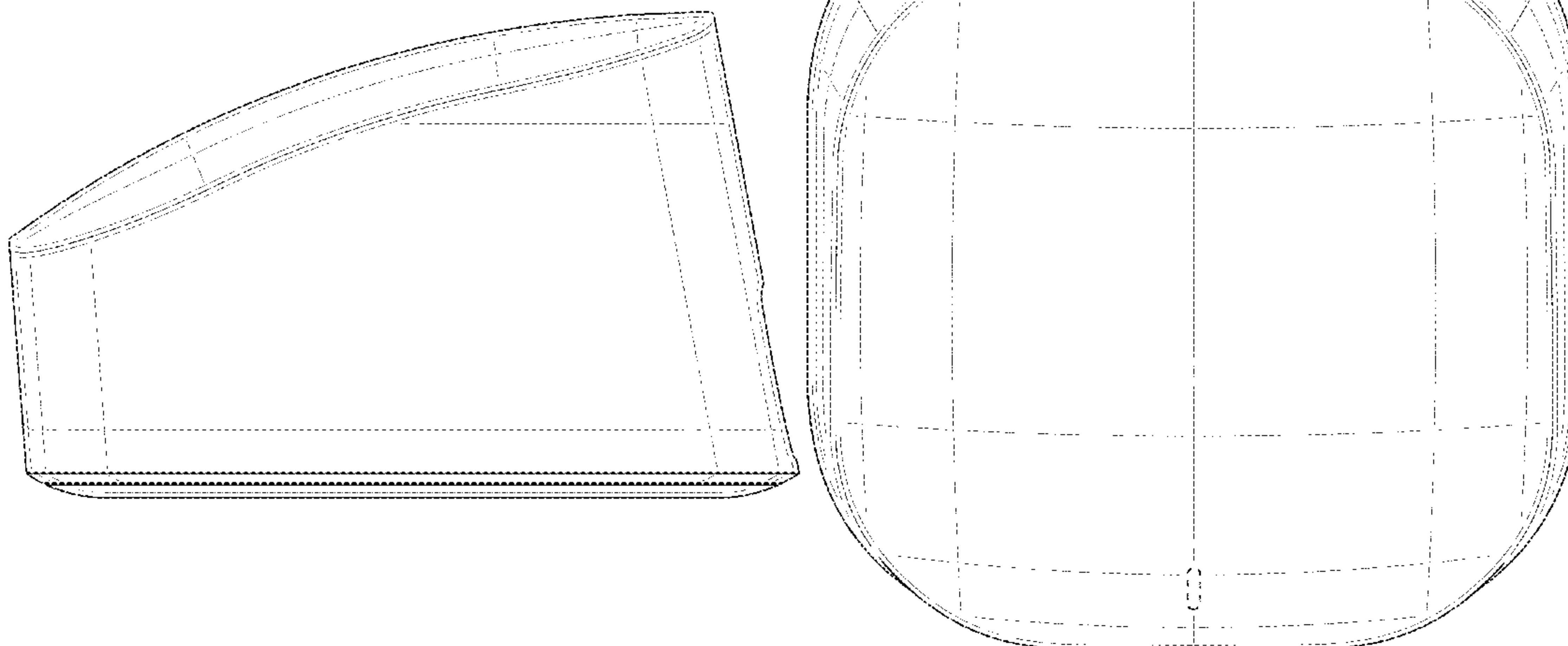
(56) **References Cited**

U.S. PATENT DOCUMENTS

D460,431 S 7/2002 Narita  
D501,203 S 1/2005 Brown et al.

(Continued)

**1 Claim, 9 Drawing Sheets**



(56)

References Cited

U.S. PATENT DOCUMENTS

D595,703 S 7/2009 Ahlgren  
 D597,535 S 8/2009 Brennwald  
 D610,133 S 2/2010 Asano  
 D651,993 S 1/2012 Cheng  
 D706,249 S 6/2014 Holzer  
 D731,470 S 6/2015 Terasawa  
 D743,359 S 11/2015 Tatem et al.  
 D753,639 S 4/2016 Marzynski et al.  
 D754,751 S 4/2016 Kusano et al.  
 D760,670 S 7/2016 Sibley et al.  
 D762,215 S 7/2016 Luttrell  
 D781,797 S 3/2017 Moon et al.  
 D782,429 S 3/2017 Xianda et al.  
 D785,608 S 5/2017 Weaver et al.  
 D813,212 S 3/2018 Nangeroni et al.  
 D835,085 S 12/2018 Burmeister-Brown et al.  
 D859,379 S 9/2019 Fidler  
 D876,411 S 2/2020 Lim et al.  
 D895,591 S 9/2020 Lee et al.  
 D905,027 S 12/2020 Chang et al.  
 D912,030 S 3/2021 Bould et al.  
 D931,265 S \* 9/2021 Bould ..... D14/242  
 D931,842 S \* 9/2021 Bould ..... D14/242  
 D933,641 S \* 10/2021 Bould ..... D14/240  
 D942,881 S \* 2/2022 Siminoff ..... D10/106.6  
 D952,620 S \* 5/2022 Lee ..... D14/242  
 D956,030 S \* 6/2022 Bould ..... D14/240

FOREIGN PATENT DOCUMENTS

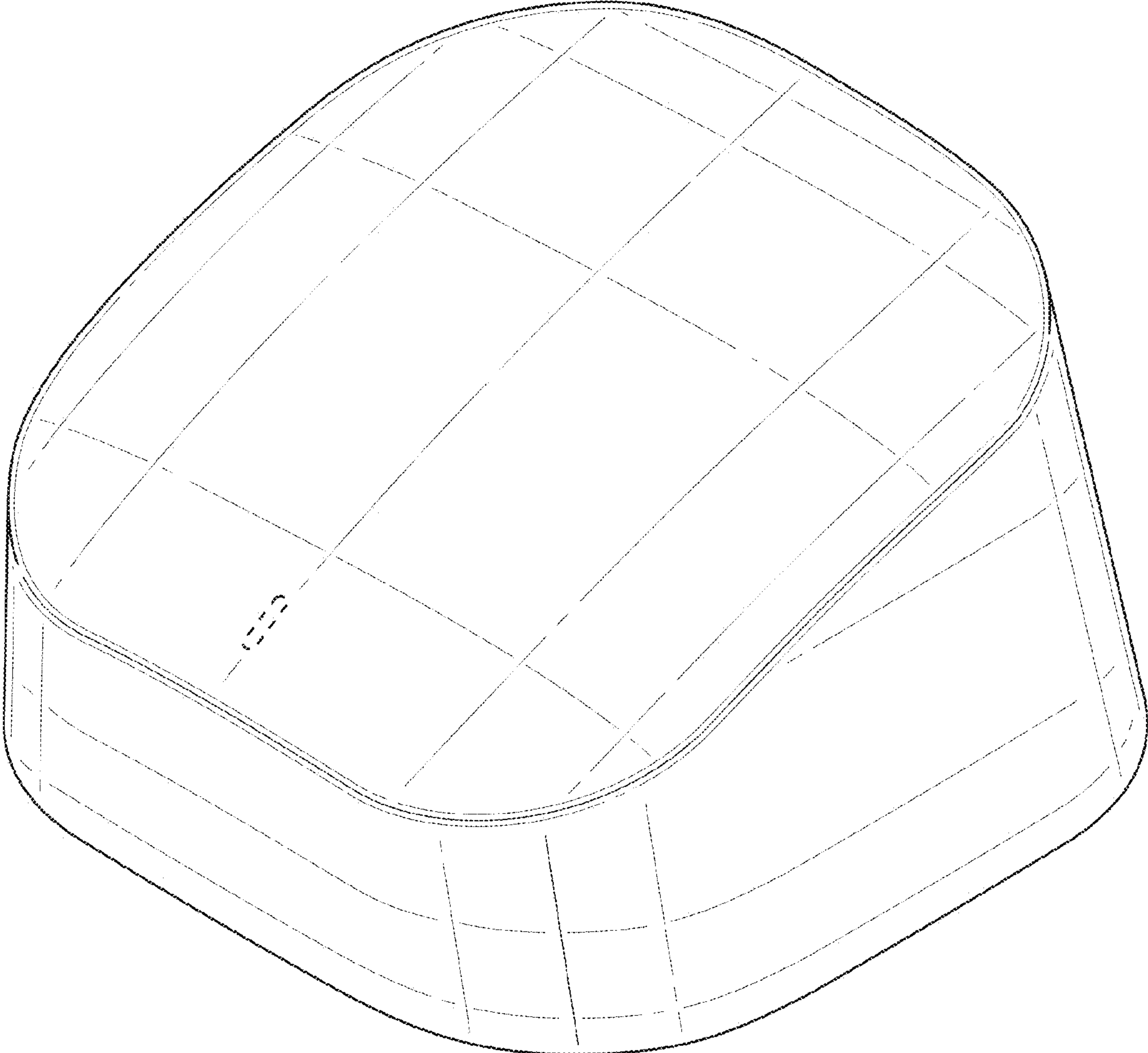
EM 007223177-0002 \* 11/2019  
 EM 007223177-0003 \* 11/2019  
 EM 007956164-0001 \* 5/2020  
 EM 007956164-0002 \* 5/2020  
 EM 007956164-0003 \* 5/2020  
 EM 007956164-0004 \* 5/2020  
 GB 6076110 \* 11/2019

GB 6076111 \* 11/2019  
 GB 6076112 \* 11/2019  
 KR 301106665.000 4/2021  
 KR 301106675.0000 4/2021

OTHER PUBLICATIONS

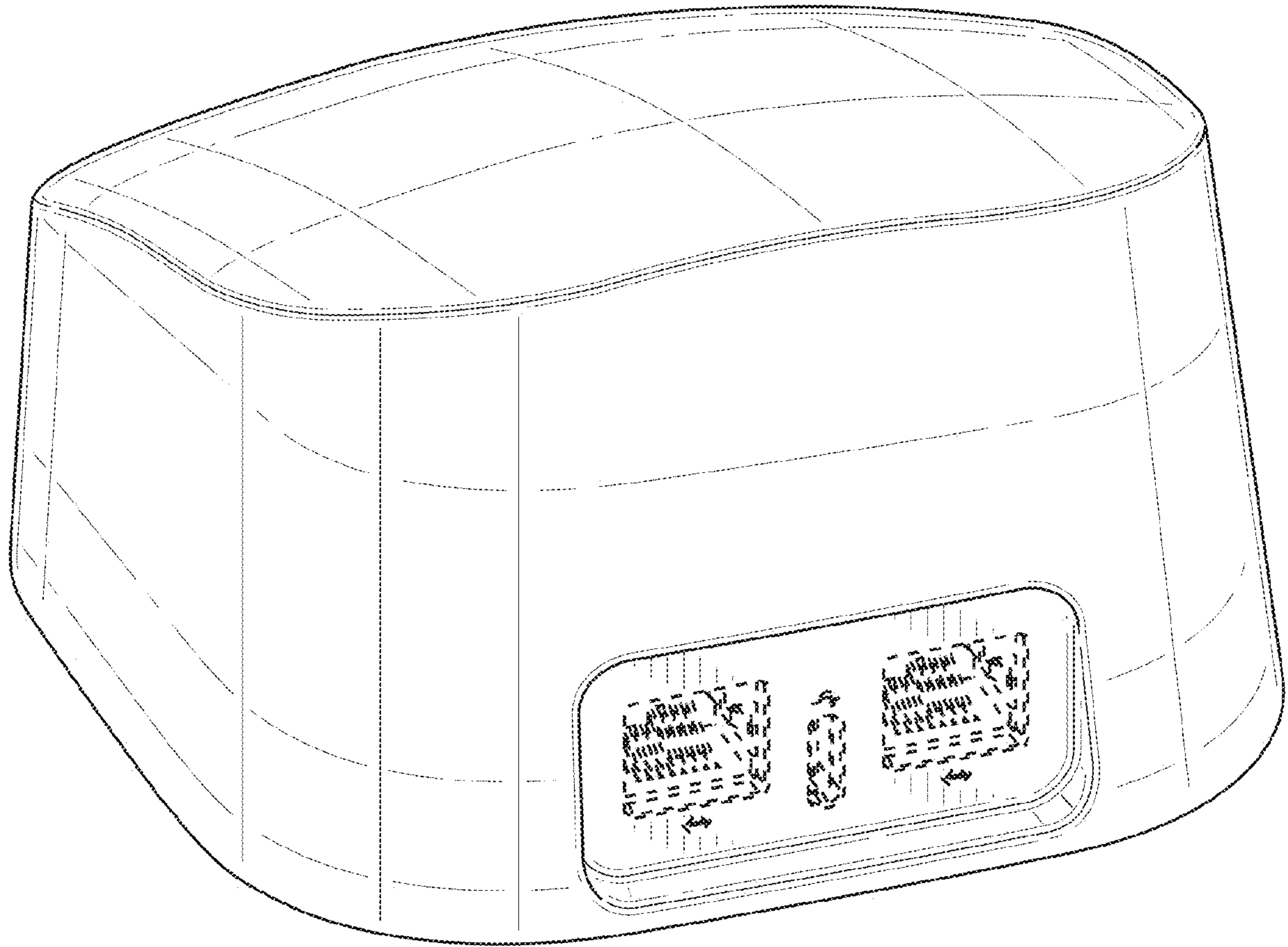
Amazon, “Amazon eero mesh Wi-Fi system—router replacement for whole-home coverage (3-pack)”, retrieved on Jun. 17, 2021 at <[https://www.amazon.com/Introducing-eero-mesh-Wi-Fi-system-3-pack-/dp/B07WMLPSRL/ref=sr\\_1\\_61?dchild=1&keywords=range%2Bextender%2C%2Bnetwork%2Bswitch%2C%2Bnetwork%2Bhub%2C%2Bnetwork%2Brouter%2C%2Bnetwork%2Bmodem&qid=1623944152&sr=8-61&th=1er%2C%2Bnetwork%2Bmodem&qid=1623944112&sr=8-23&th=1](https://www.amazon.com/Introducing-eero-mesh-Wi-Fi-system-3-pack-/dp/B07WMLPSRL/ref=sr_1_61?dchild=1&keywords=range%2Bextender%2C%2Bnetwork%2Bswitch%2C%2Bnetwork%2Bhub%2C%2Bnetwork%2Brouter%2C%2Bnetwork%2Bmodem&qid=1623944152&sr=8-61&th=1er%2C%2Bnetwork%2Bmodem&qid=1623944112&sr=8-23&th=1)>.  
 Amazon, “Amazon eero Pro 6 tri-band mesh Wi-Fi 6 system with built-in Zigbee smart home hub (3-pack)”, retrieved on Jun. 17, 2021 at <[https://www.amazon.com/Amazon-eero-pro-6-3-pack/dp/B085VNCZHZ/ref=sr\\_1\\_23?dchild=1&keywords=range%2Bextender%2C%2Bnetwork%2Bswitch%2C%2Bnetwork%2Bhub%2C%2Bnetwork%2Brouter%2C%2Bnetwork%2Bmodem&qid=1623944112&sr=8-23&th=1](https://www.amazon.com/Amazon-eero-pro-6-3-pack/dp/B085VNCZHZ/ref=sr_1_23?dchild=1&keywords=range%2Bextender%2C%2Bnetwork%2Bswitch%2C%2Bnetwork%2Bhub%2C%2Bnetwork%2Brouter%2C%2Bnetwork%2Bmodem&qid=1623944112&sr=8-23&th=1)>, Amazon, 2021.  
 Amazon, “Amazon eero Pro mesh Wi-Fi system—3-Pack”, retrieved on Jun. 17, 2021 at <[https://www.amazon.com/eero-Pro-Wi-Fi-System-Pros/dp/B071DWXLYL/ref=sr\\_1\\_69?dchild=1&keywords=range%2Bextender%2C%2Bnetwork%2Bswitch%2C%2Bnetwork%2Bhub%2C%2Bnetwork%2Brouter%2C%2Bnetwork%2Bmodem&qid=1623944167&sr=8-69&th=1er%2C%2Bnetwork%2Bmodem&qid=1623944152&sr=8-61&th=1er%2C%2Bnetwork%2Bmodem&qid=1623944112&sr=8-23&th=1](https://www.amazon.com/eero-Pro-Wi-Fi-System-Pros/dp/B071DWXLYL/ref=sr_1_69?dchild=1&keywords=range%2Bextender%2C%2Bnetwork%2Bswitch%2C%2Bnetwork%2Bhub%2C%2Bnetwork%2Brouter%2C%2Bnetwork%2Bmodem&qid=1623944167&sr=8-69&th=1er%2C%2Bnetwork%2Bmodem&qid=1623944152&sr=8-61&th=1er%2C%2Bnetwork%2Bmodem&qid=1623944112&sr=8-23&th=1)>, Amazon, 2021.  
 Chinese Office Action dated Aug. 18, 2020 for Chinese Design Application No. 202030212992.0, counterpart foreign application of Design U.S. Appl. No. 29/714,469, 1 page.  
 Japanese Office Action dated Oct. 6, 2020 for Japanese Design Application No. 2020-009192, a counterpart foreign application of Design U.S. Appl. No. 29/714,469, 2 pages.

\* cited by examiner

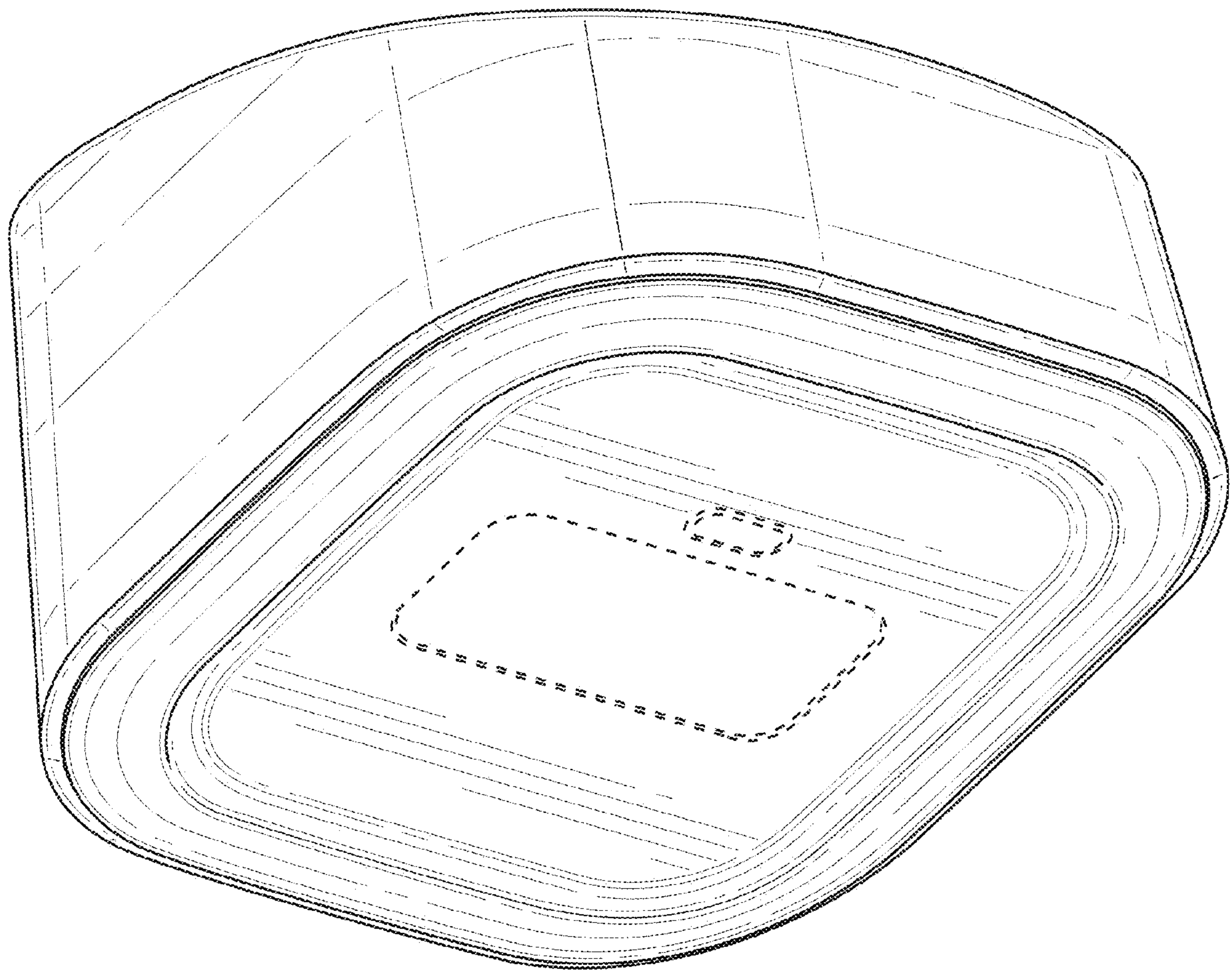


**FIG. 1**

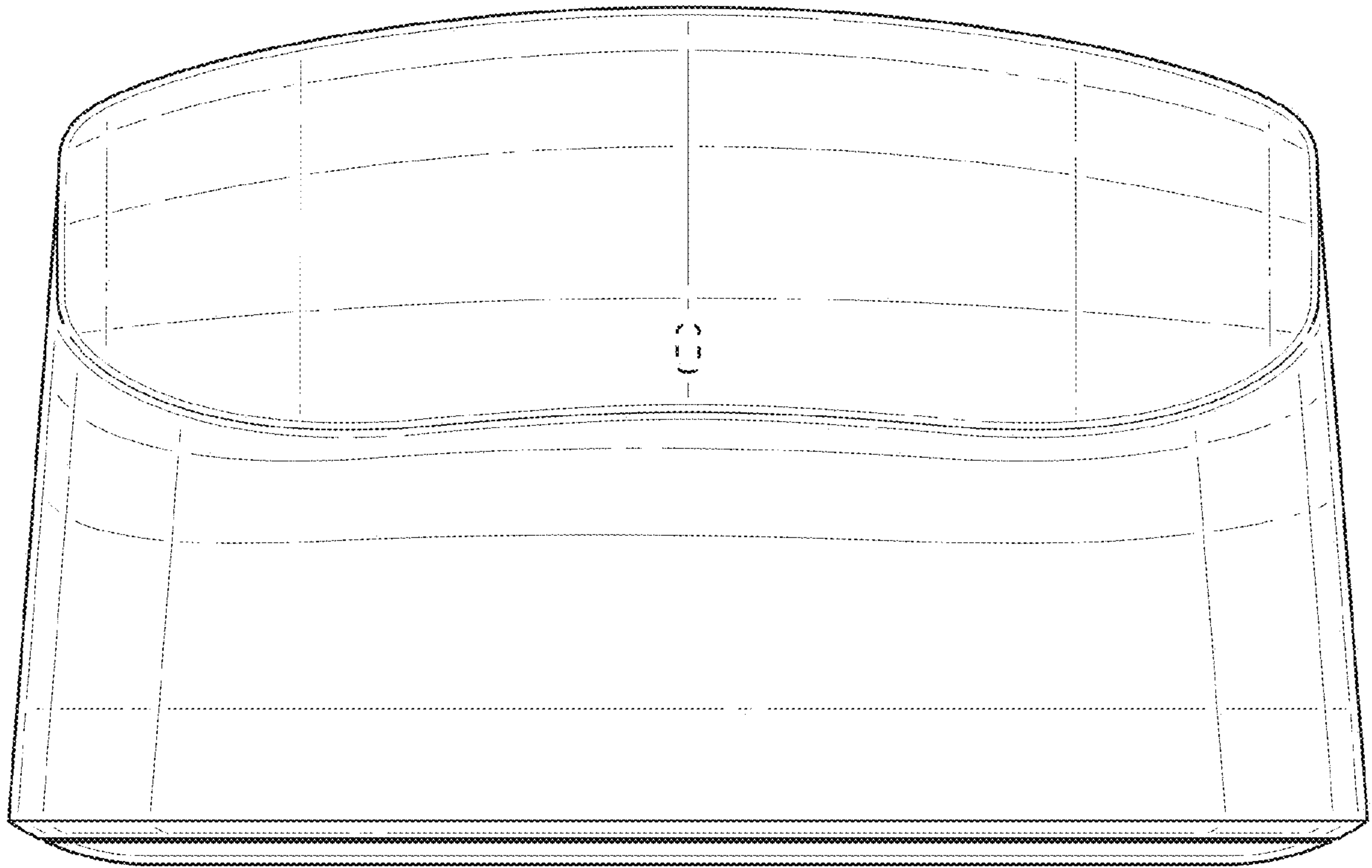




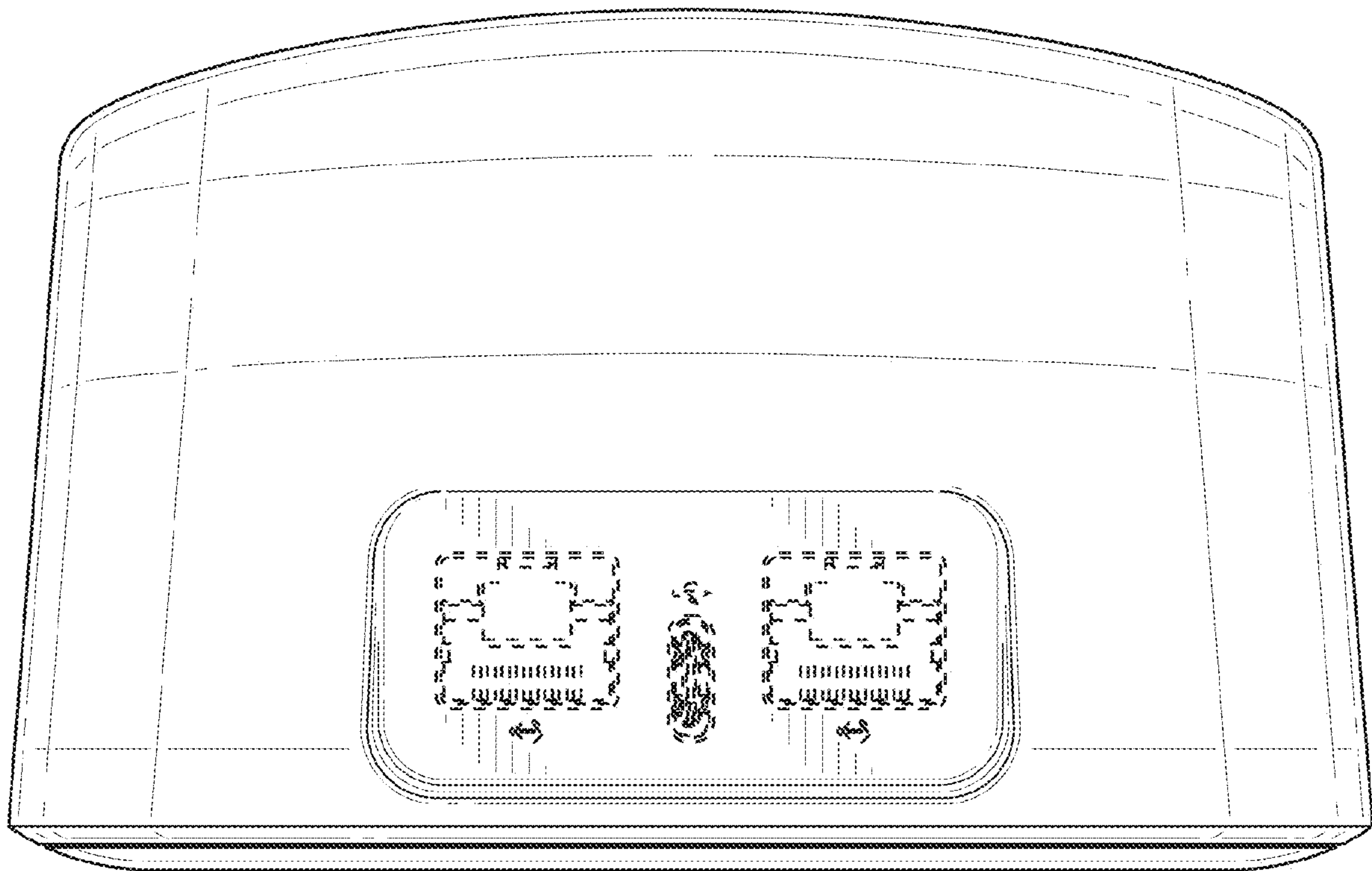
**FIG. 2**



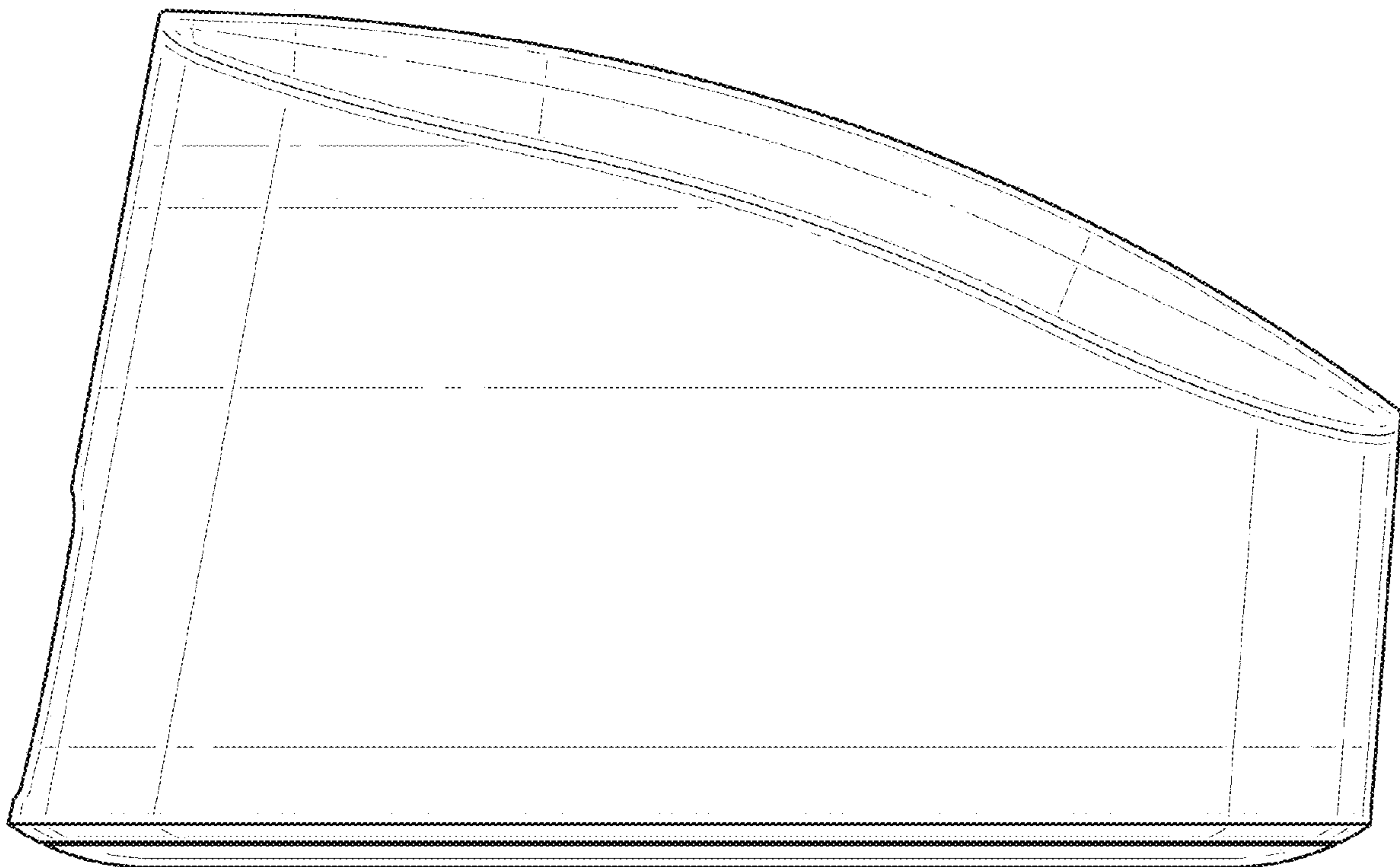
**FIG. 3**



**FIG. 4**

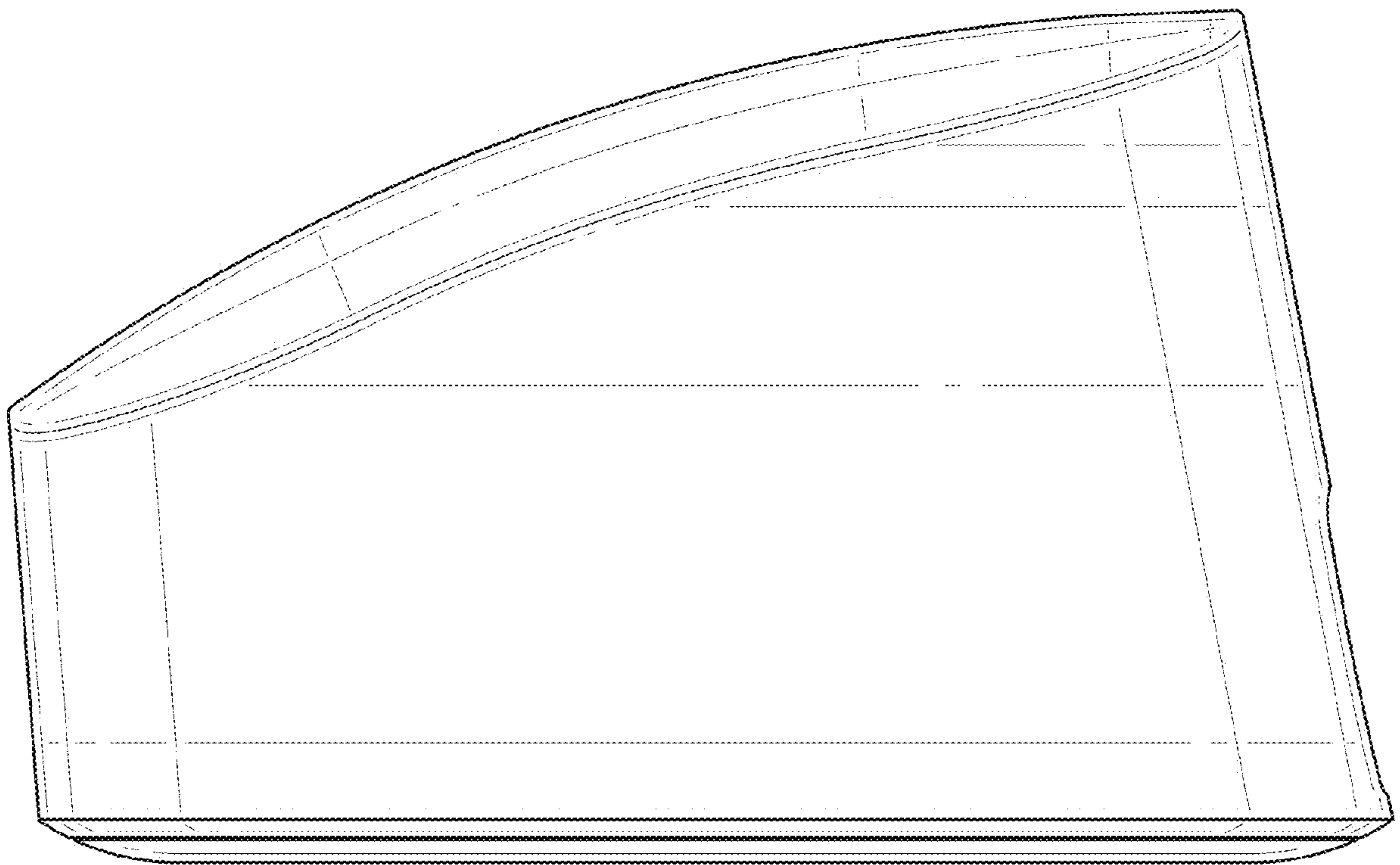


**FIG. 5**

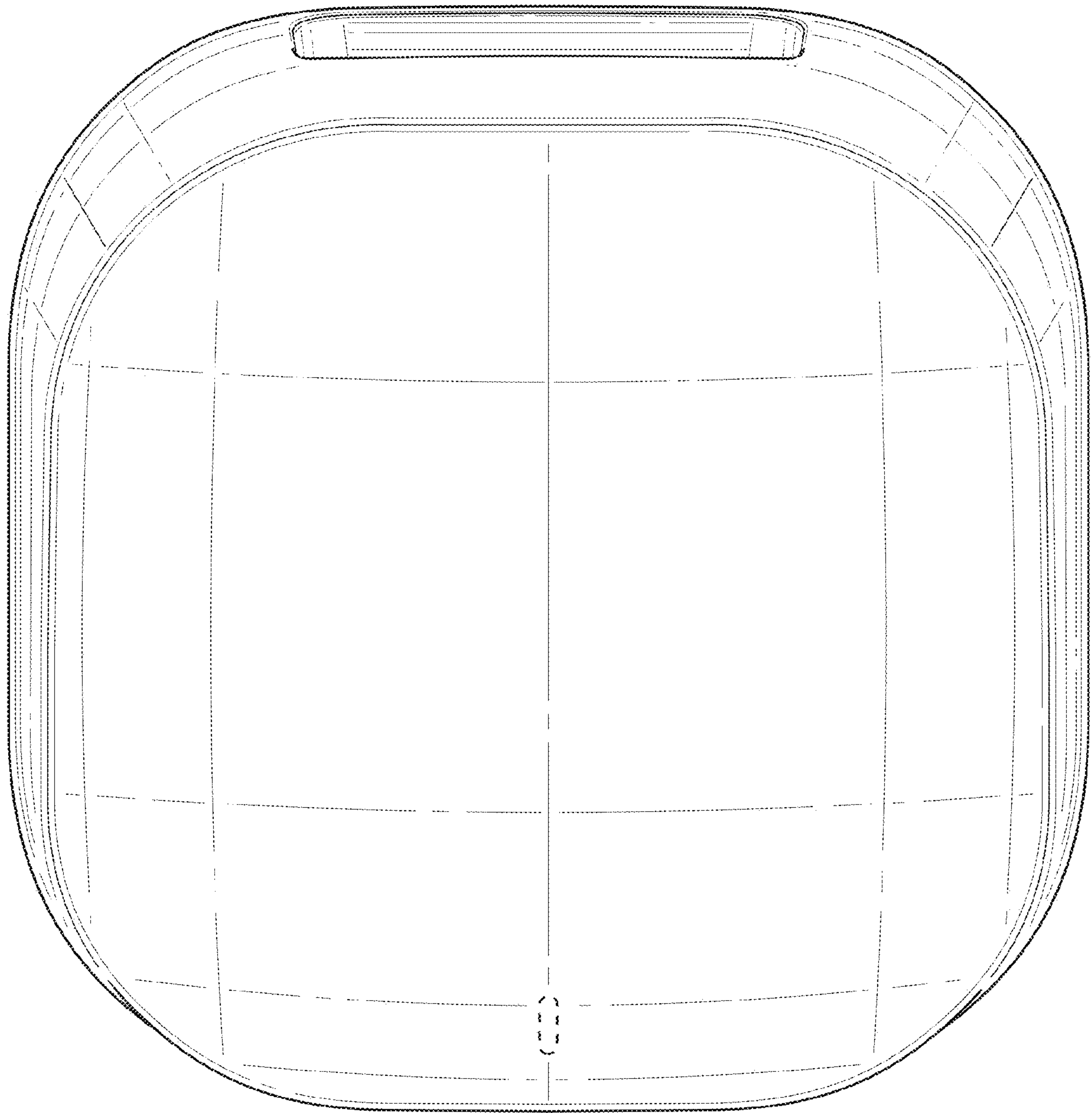


**FIG. 6**

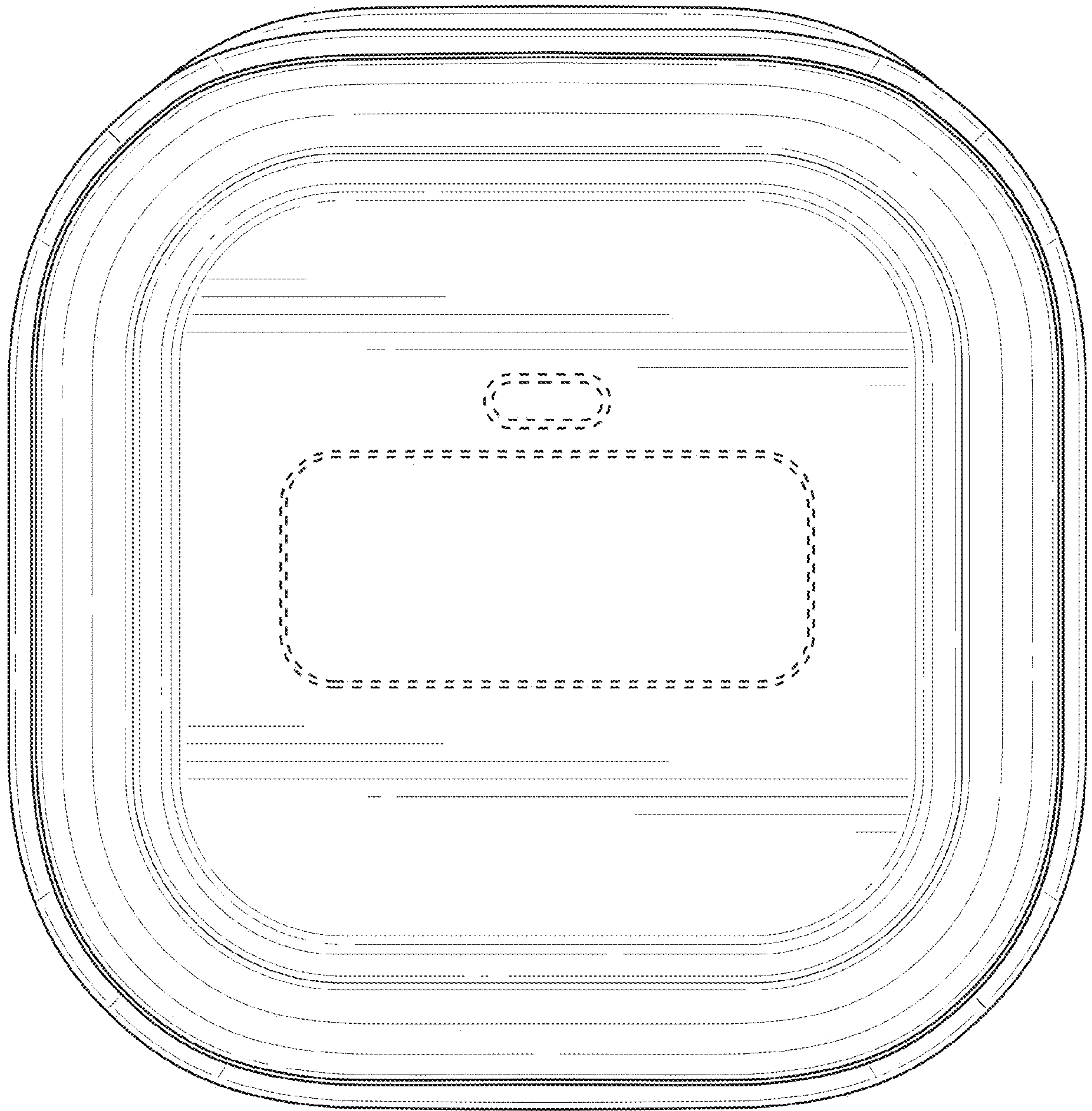




**FIG. 7**



**FIG. 8**



**FIG. 9**