



US00D964332S

(12) **United States Design Patent**
Koo

(10) **Patent No.:** **US D964,332 S**

(45) **Date of Patent:** **** Sep. 20, 2022**

(54) **ROUTER**

(71) Applicant: **Samsung Electronics Co., Ltd.**,
Suwon-si (KR)

(72) Inventor: **Hyungjun Koo**, Suwon-si (KR)

(73) Assignee: **Samsung Electronics Co., Ltd.**,
Suwon-si (KR)

(**) Term: **15 Years**

(21) Appl. No.: **29/776,383**

(22) Filed: **Mar. 30, 2021**

(30) **Foreign Application Priority Data**

Dec. 18, 2020 (KR) 30-2020-0063177

(51) **LOC (13) Cl.** **14-03**

(52) **U.S. Cl.**
USPC **D14/242**

(58) **Field of Classification Search**

USPC D14/240, 242, 357, 358, 140-140.9, 155,
D14/125, 137, 139, 243, 348, 349, 351,
D14/354, 355, 433, 435.1

CPC H04L 12/00; H03K 17/00; H04W 88/00;
H04W 88/005; H04W 88/02; H04W
88/08; H04W 88/085; H04W 88/10;
H04W 88/12; H04W 88/14; H04B 1/38

See application file for complete search history.

(56) **References Cited**

U.S. PATENT DOCUMENTS

D368,261 S * 3/1996 Shushurin D14/188
D390,235 S * 2/1998 Tucker D13/184
D478,061 S * 8/2003 Abe D14/188
D490,805 S * 6/2004 Lee D14/312
D651,200 S * 12/2011 Sugime D14/240

D759,648 S * 6/2016 Ting D14/313
D766,222 S * 9/2016 Chen D14/240
D798,856 S * 10/2017 Menendez D14/313
D900,796 S * 11/2020 Wang D14/242
D904,362 S * 12/2020 Menendez D14/240
D914,679 S * 3/2021 Tsai D14/328
D918,882 S * 5/2021 Andersson D14/240
2019/0104644 A1 * 4/2019 Shoji H04B 7/26

FOREIGN PATENT DOCUMENTS

CN 307203295 * 3/2022
JP D1698461 * 11/2021
KR 301079479.0000 * 10/2020
KR 301126933.0000 * 9/2021
KR 301135296.0000 * 11/2021
KR 301140405.0000 * 12/2021
WO D215030-001 * 12/2021

* cited by examiner

Primary Examiner — Bridget L Eland

(74) *Attorney, Agent, or Firm* — NSIP Law

(57) **CLAIM**

I claim the ornamental design for a router, as shown and described.

DESCRIPTION

FIG. 1 is a front perspective view of a router showing my new design;

FIG. 2 is a front view thereof;

FIG. 3 is a rear view thereof;

FIG. 4 is a left-side view thereof;

FIG. 5 is a right-side view thereof;

FIG. 6 is a top view thereof;

FIG. 7 is a bottom view thereof; and,

FIG. 8 is a rear perspective view thereof.

The evenly-dashed broken lines in the figures depict portions of the router which form no part of the claimed design.

1 Claim, 8 Drawing Sheets

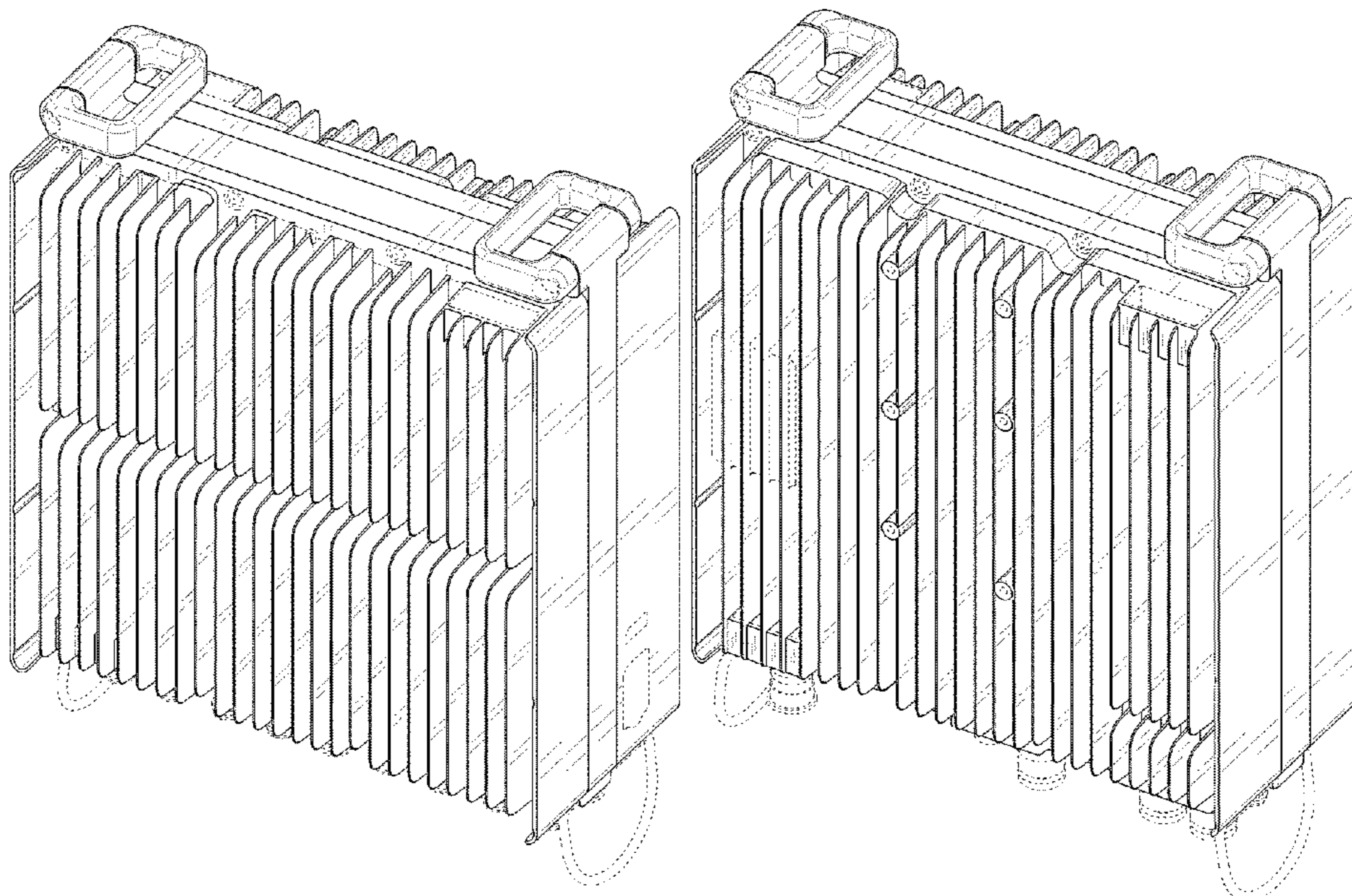


FIG. 1

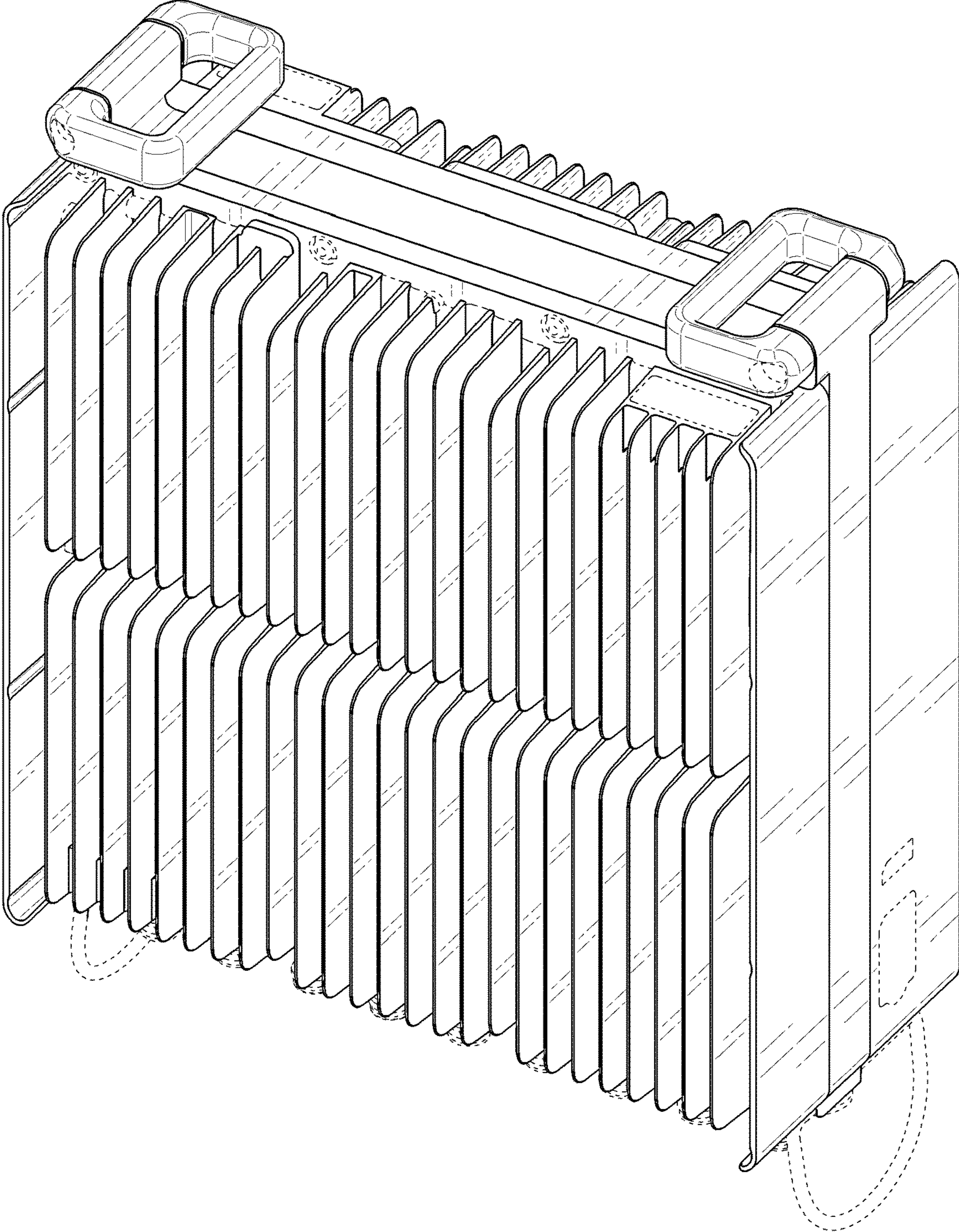


FIG. 2

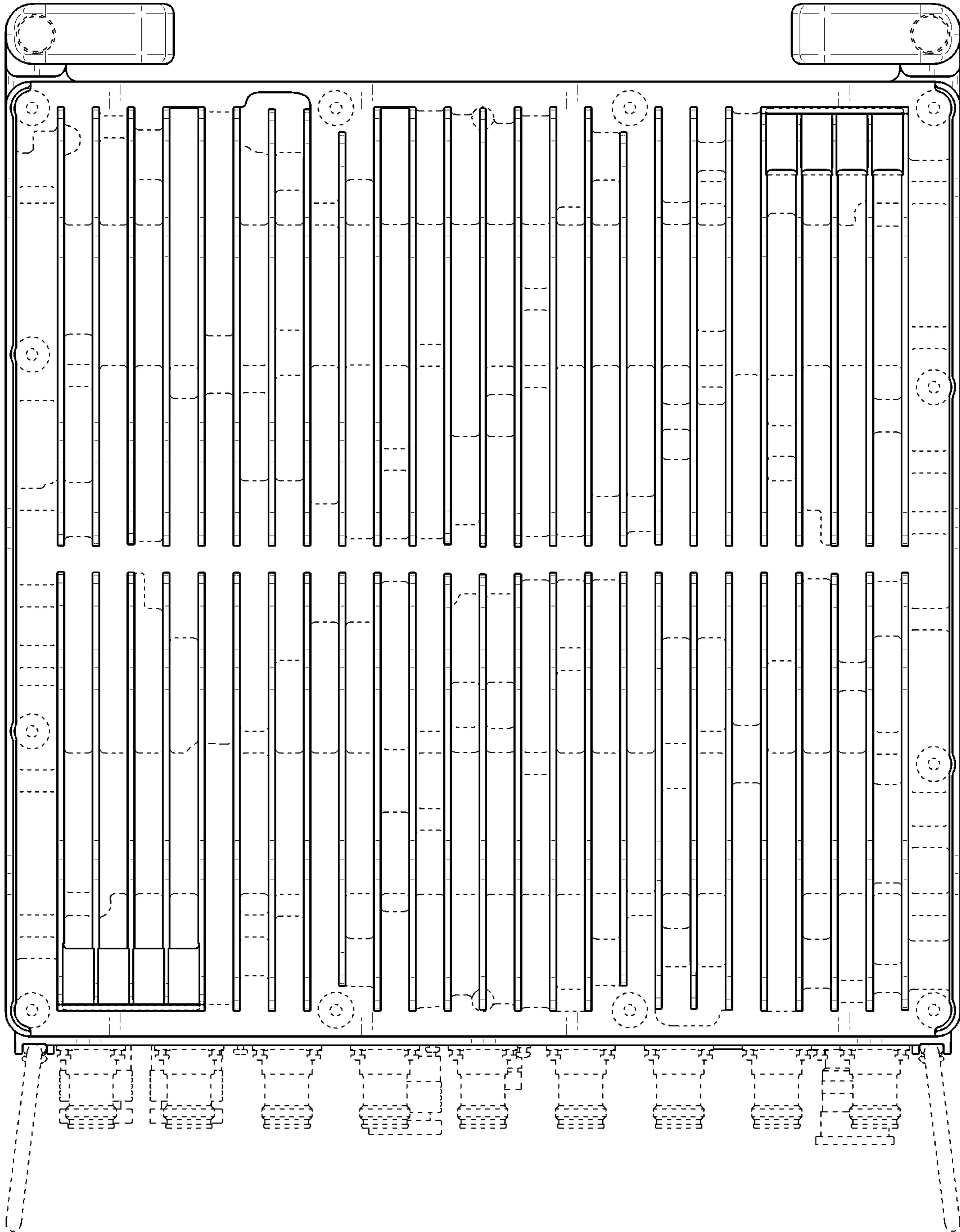


FIG. 3

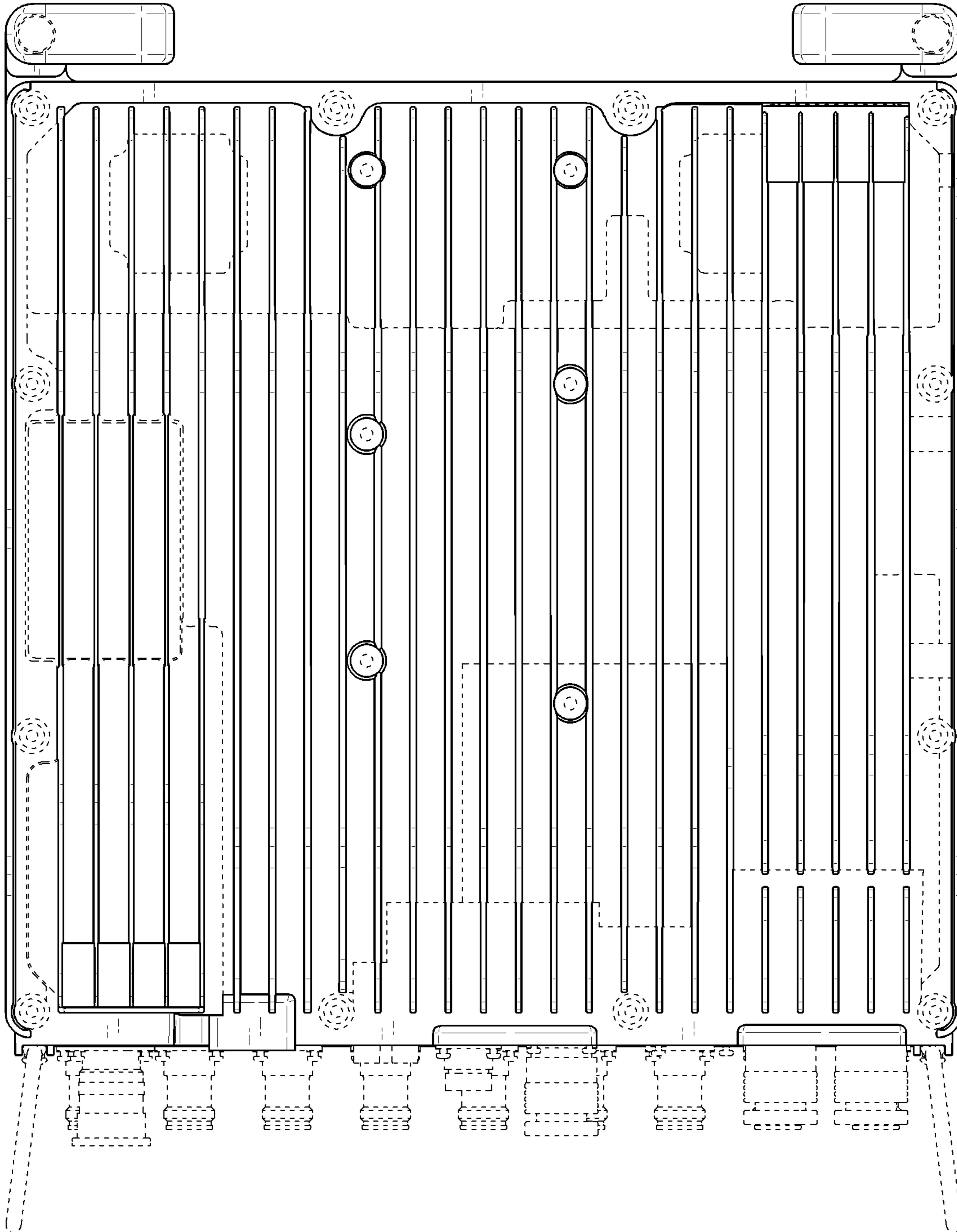


FIG. 4

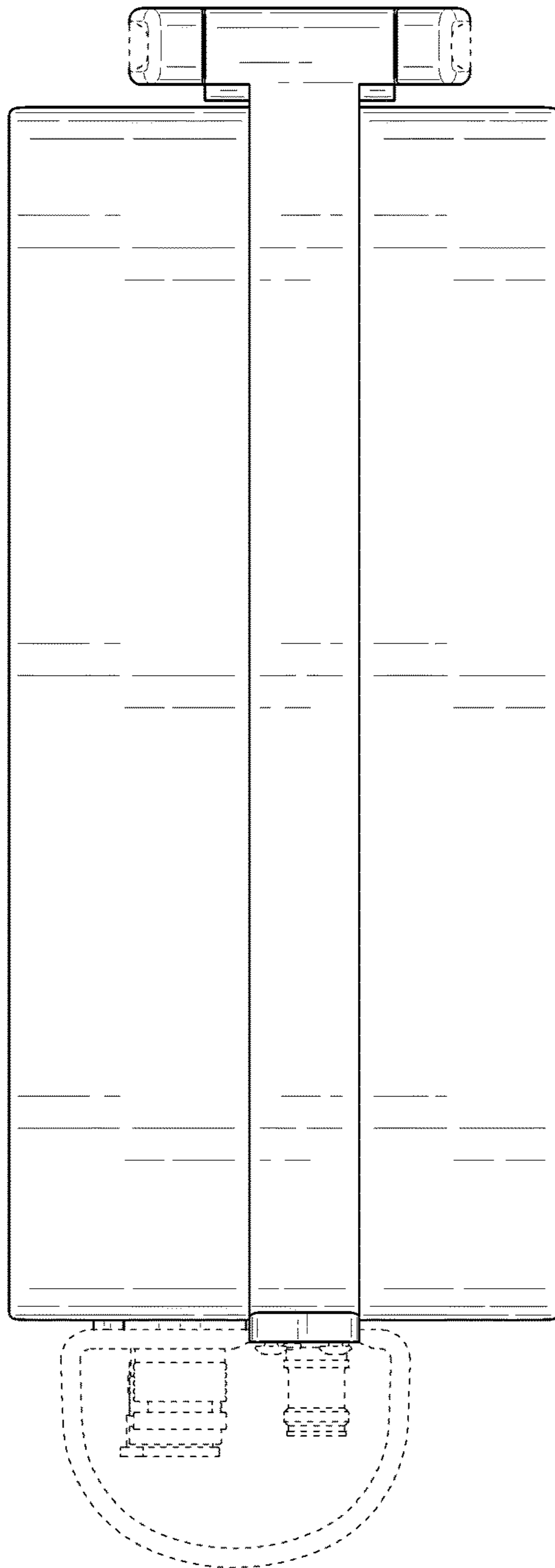


FIG. 5

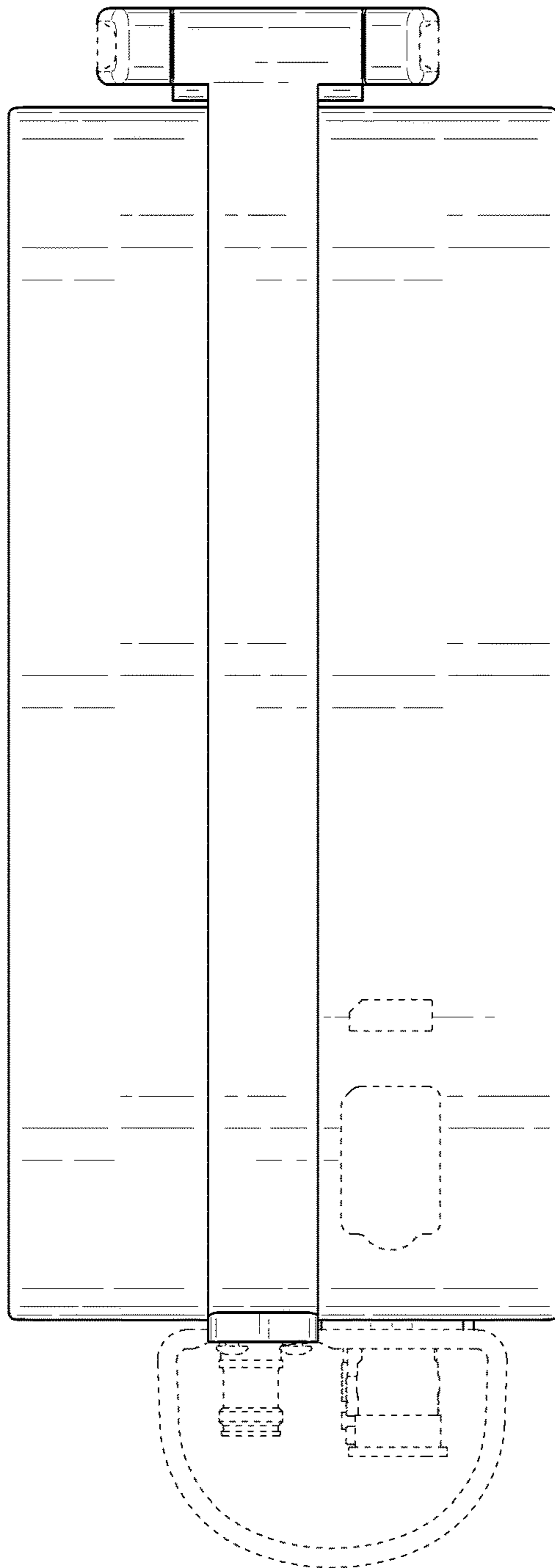


FIG. 6

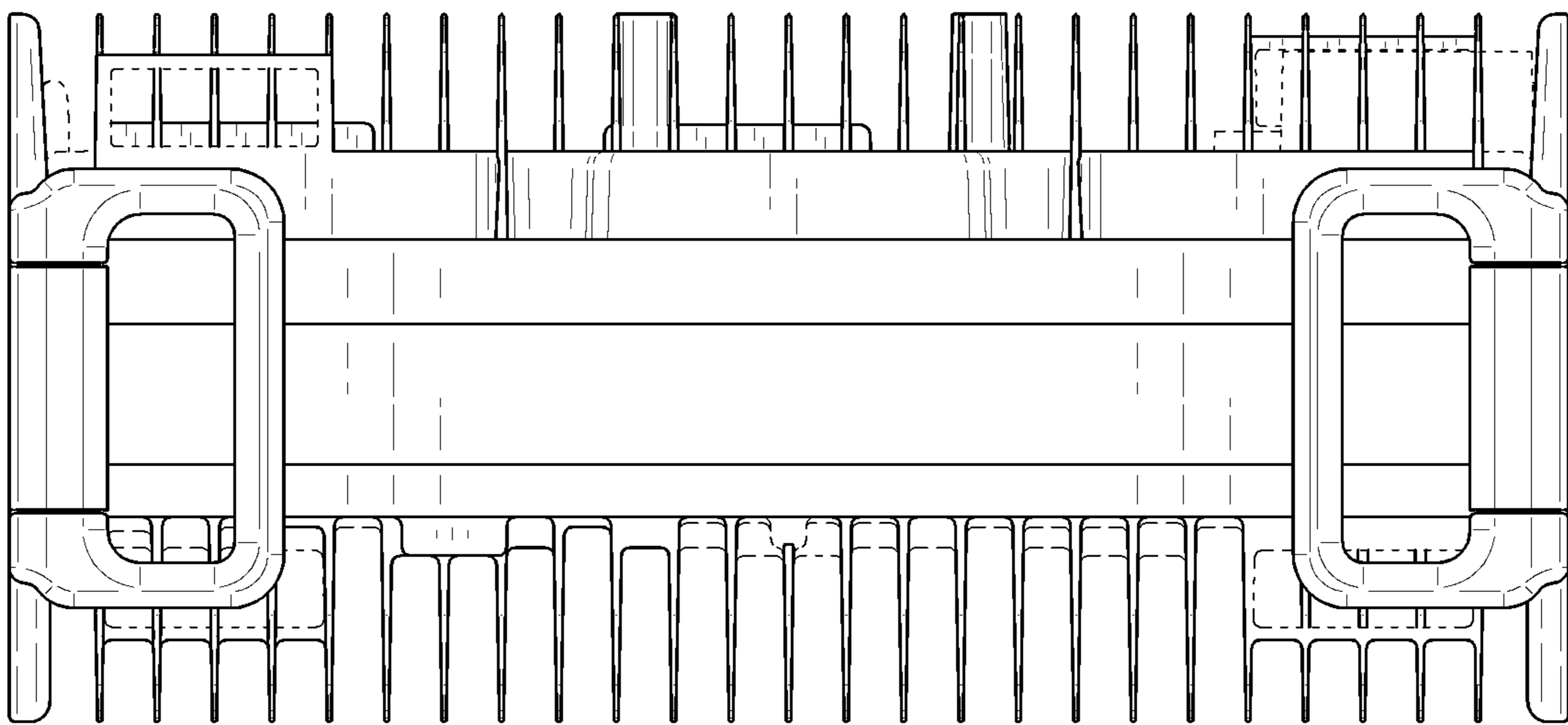


FIG. 7

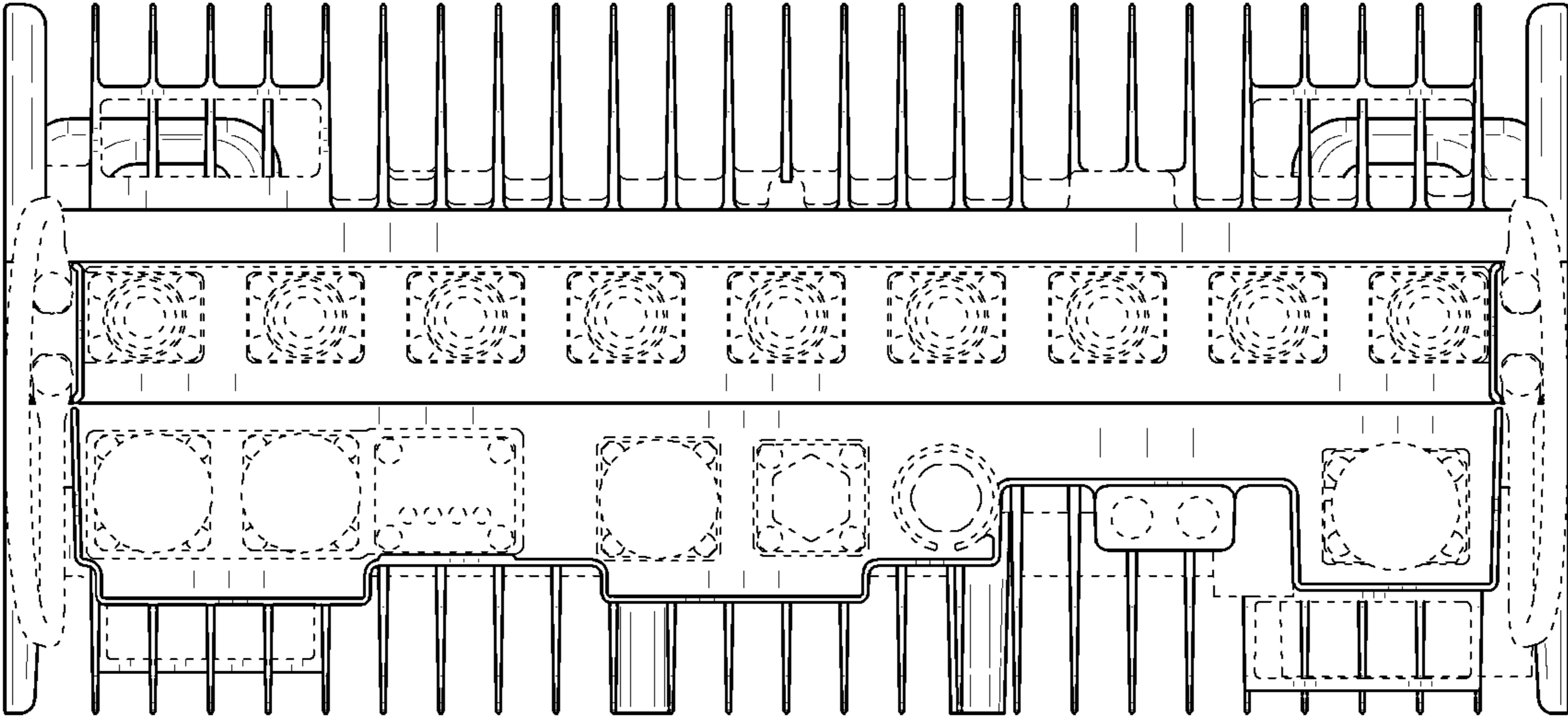


FIG. 8

