

US00D964329S

(12) **United States Design Patent** (10) **Patent No.:** **US D964,329 S**
Ju (45) **Date of Patent:** **** Sep. 20, 2022**

(54) **NETWORK SWITCH**

D886,087 S * 6/2020 Jang D14/240
D895,561 S * 9/2020 Xiang D13/133
D937,235 S * 11/2021 Xiang D13/133

(71) Applicant: **Samsung Electronics Co., Ltd.**,
Suwon-si (KR)

FOREIGN PATENT DOCUMENTS

(72) Inventor: **Taihyung Ju**, Suwon-si (KR)

KR 30-0392168 S 9/2005
KR 30-0665380 S 10/2012
KR 30-0711511 S 10/2013
KR 30-0745272 S 5/2014
KR 30-1001469 S 4/2019

(73) Assignee: **SAMSUNG ELECTRONICS CO., LTD.**, Suwon-si (KR)

(**) Term: **15 Years**

* cited by examiner

(21) Appl. No.: **29/768,468**

Primary Examiner — Bridget L Eland

(22) Filed: **Jan. 29, 2021**

(74) *Attorney, Agent, or Firm* — McAndrews Held & Malloy, Ltd.

(30) **Foreign Application Priority Data**

(57) **CLAIM**

Oct. 13, 2020 (KR) 30-2020-0048929

The ornamental design for a network switch, as shown and described.

(51) **LOC (13) Cl.** **14-03**

DESCRIPTION

(52) **U.S. Cl.**

USPC **D14/240**

(58) **Field of Classification Search**

USPC D14/240, 242, 357, 358, 140-140.9, 155,
D14/125, 137, 139, 243, 348, 349, 351,
D14/354, 355

CPC H04L 12/00; H03K 17/00; H04W 88/00;
H04W 88/005; H04W 88/02; H04W
88/08; H04W 88/085; H04W 88/10;
H04W 88/12; H04W 88/14; H04B 1/38

See application file for complete search history.

FIG. 1 is a front perspective view of a network switch showing my new design;
FIG. 2 is a front view thereof;
FIG. 3 is a rear view thereof;
FIG. 4 is a left side view thereof;
FIG. 5 is a right side view thereof;
FIG. 6 is a top view thereof;
FIG. 7 is a bottom view thereof;
FIG. 8 is an enlarged view of the portion 8 encircled in FIG. 1;
FIG. 9 is an enlarged view of the portion 9 encircled in FIG. 1; and,
FIG. 10 is an enlarged view of the portion 10 encircled in FIG. 1.

(56) **References Cited**

U.S. PATENT DOCUMENTS

D472,242 S * 3/2003 Tomino D13/133
D541,263 S * 4/2007 Yao D14/240
D730,307 S * 5/2015 Tang D14/125
D767,545 S * 9/2016 Jeon D14/240
D767,546 S * 9/2016 Kwak D14/240
D767,547 S * 9/2016 Kwak D14/240
D793,355 S * 8/2017 Teulie D14/188

The dashed broken lines in the figures illustrate portions of the network switch that form no part of the claimed design. The dot-dot-dash broken lines in the drawings encircling portions of the claimed design that are illustrated in enlargements form no part of the claimed design.

1 Claim, 10 Drawing Sheets

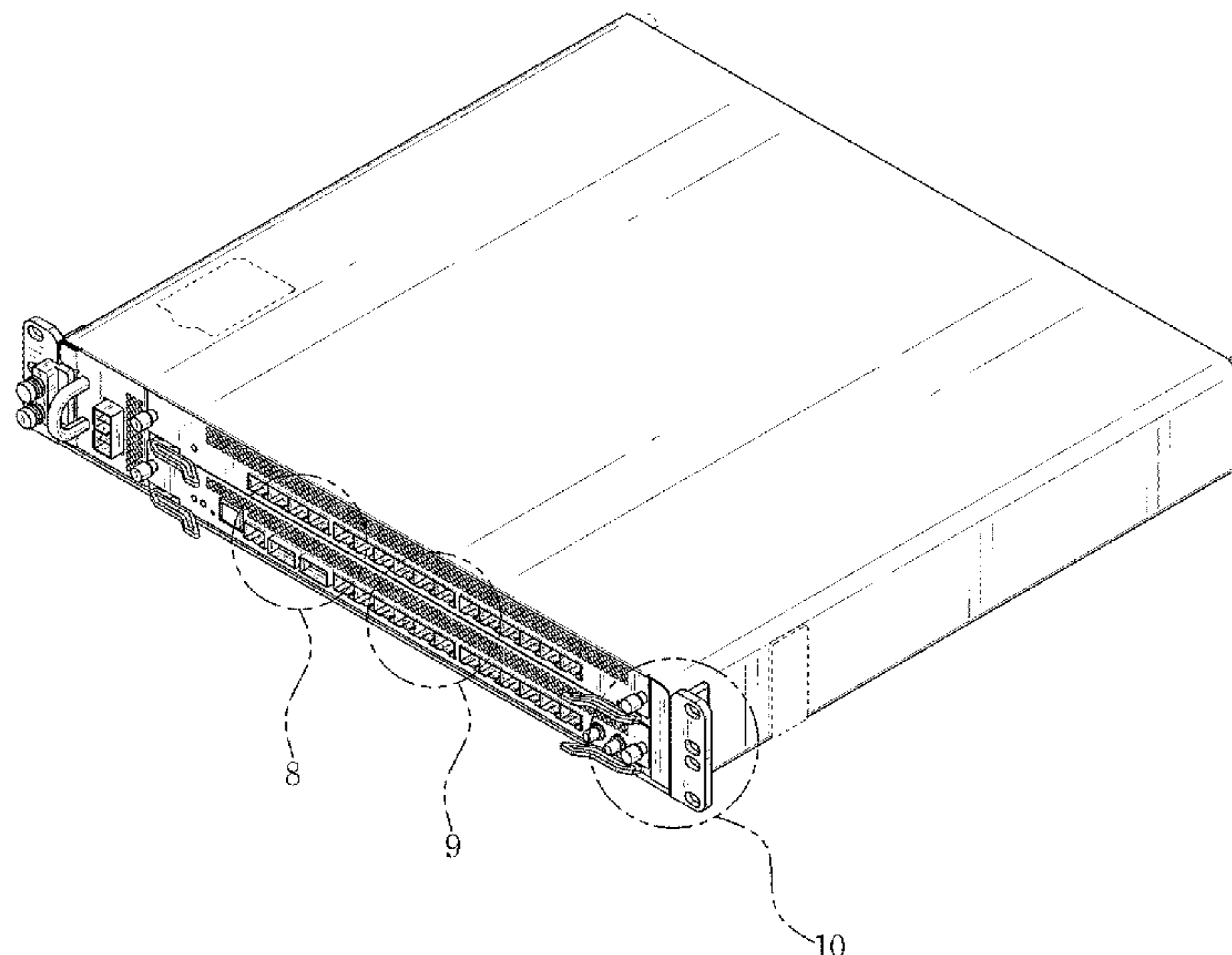


FIG. 1

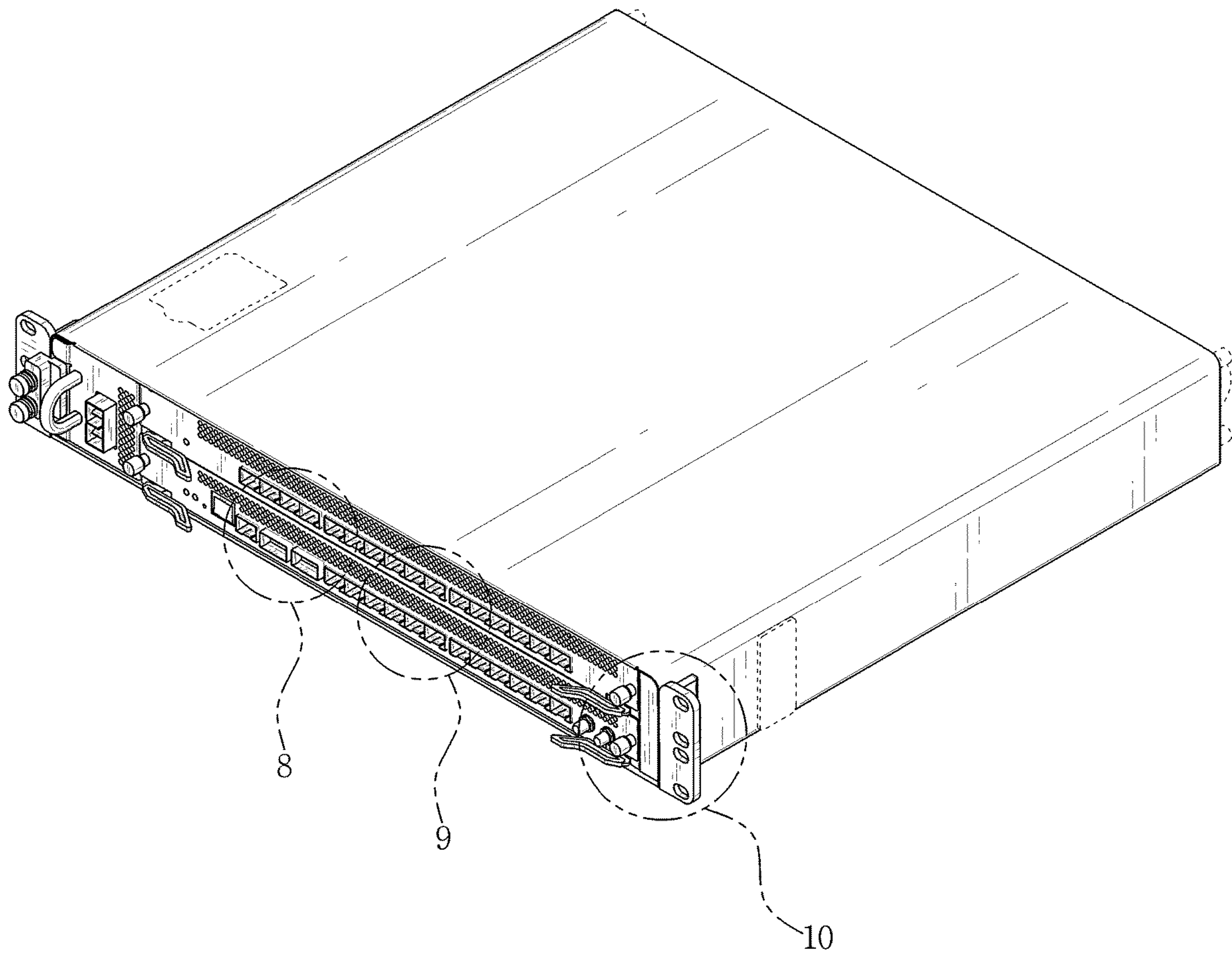


FIG. 2

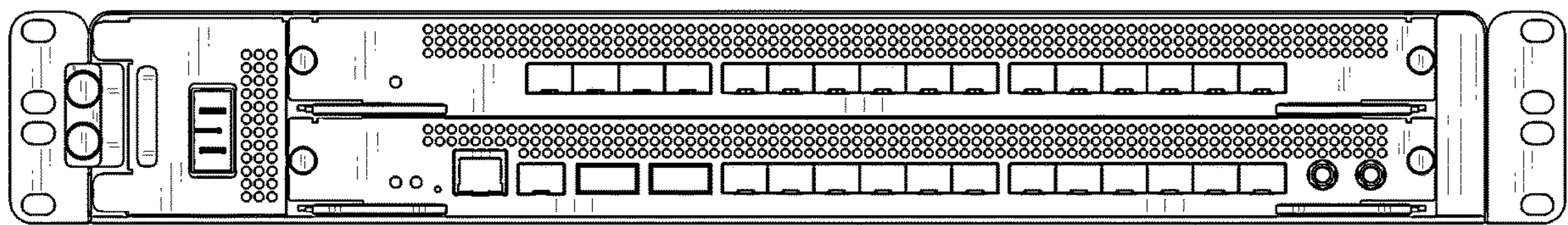


FIG. 3

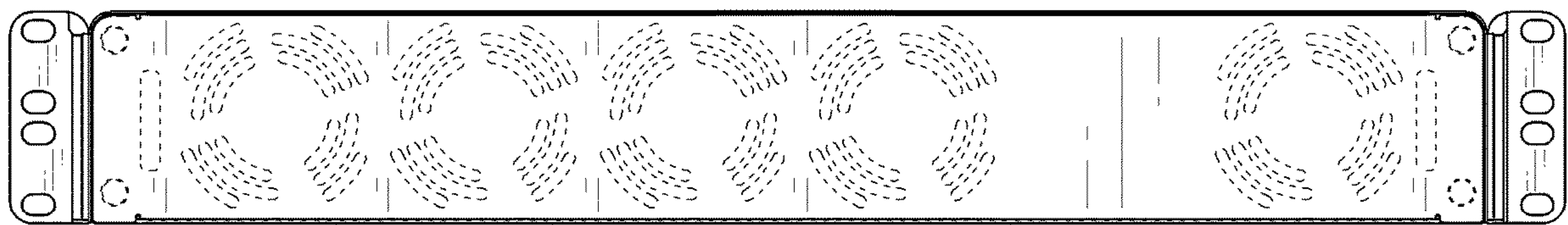


FIG. 4

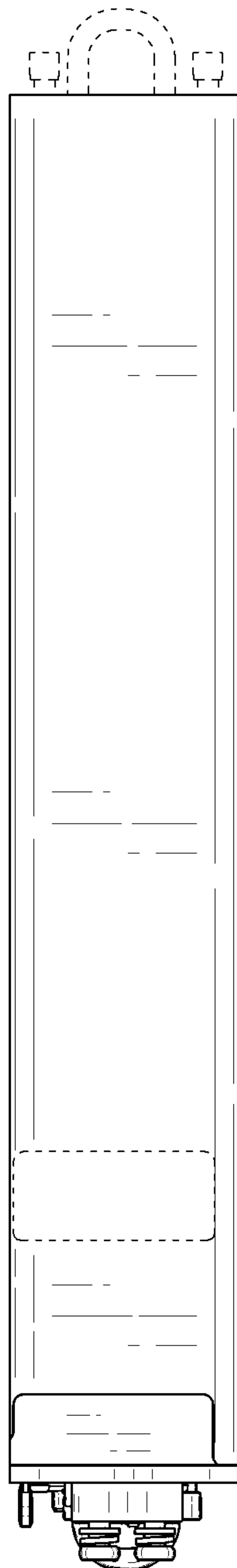


FIG. 5

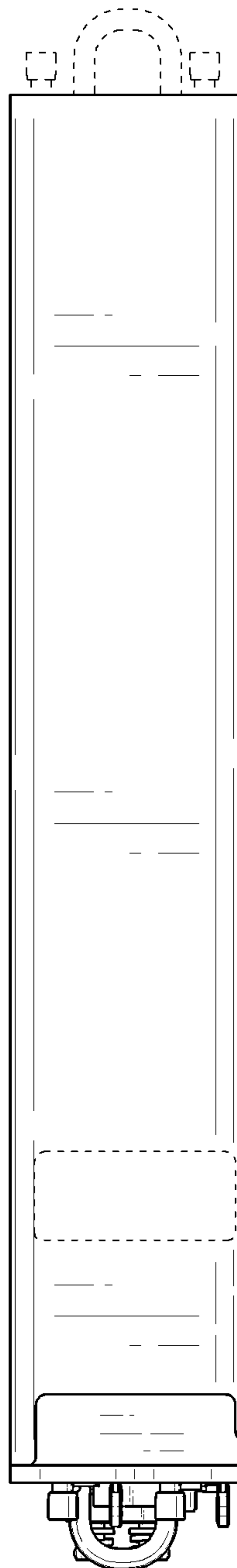


FIG. 6

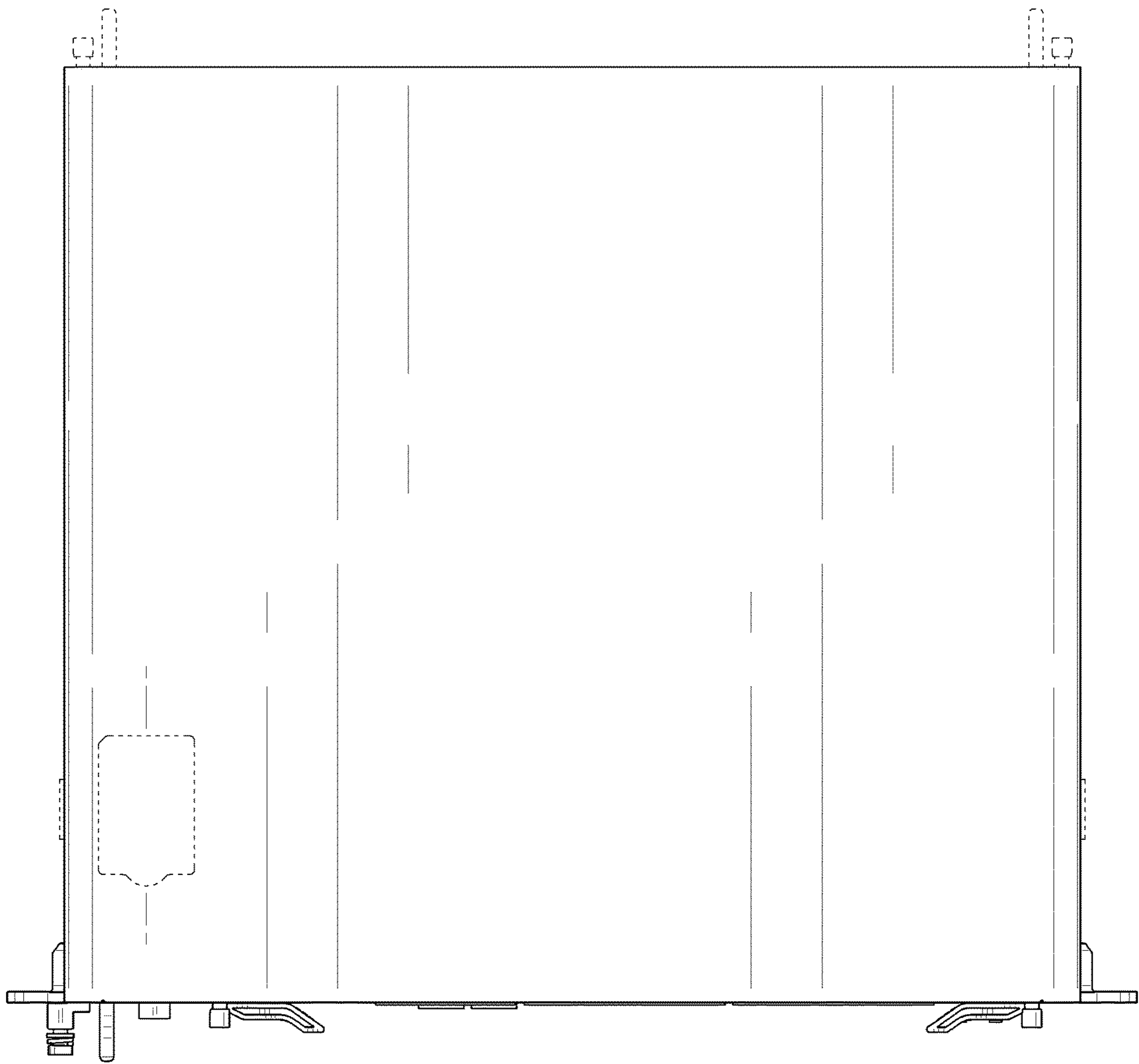


FIG. 7

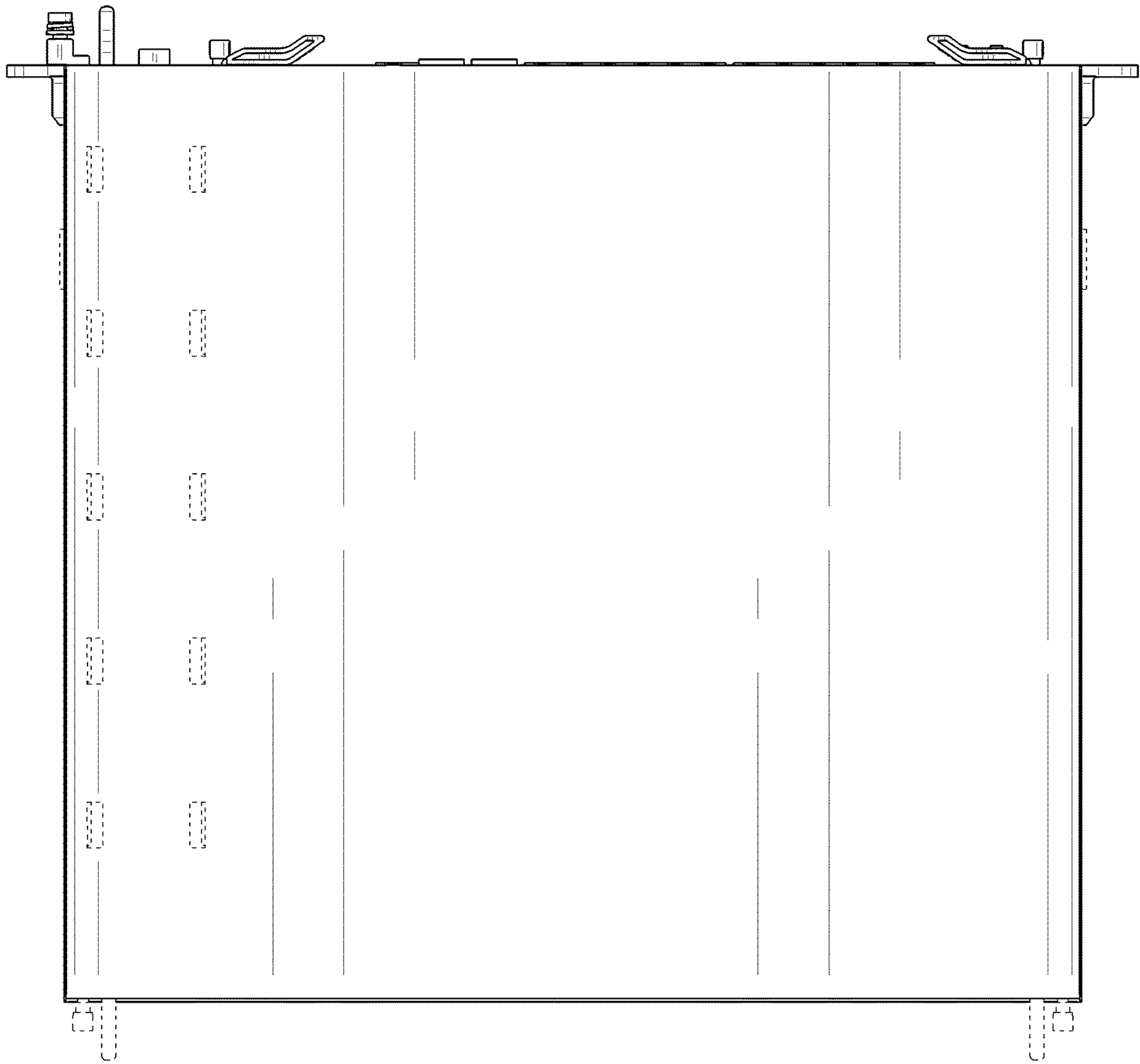


FIG. 8

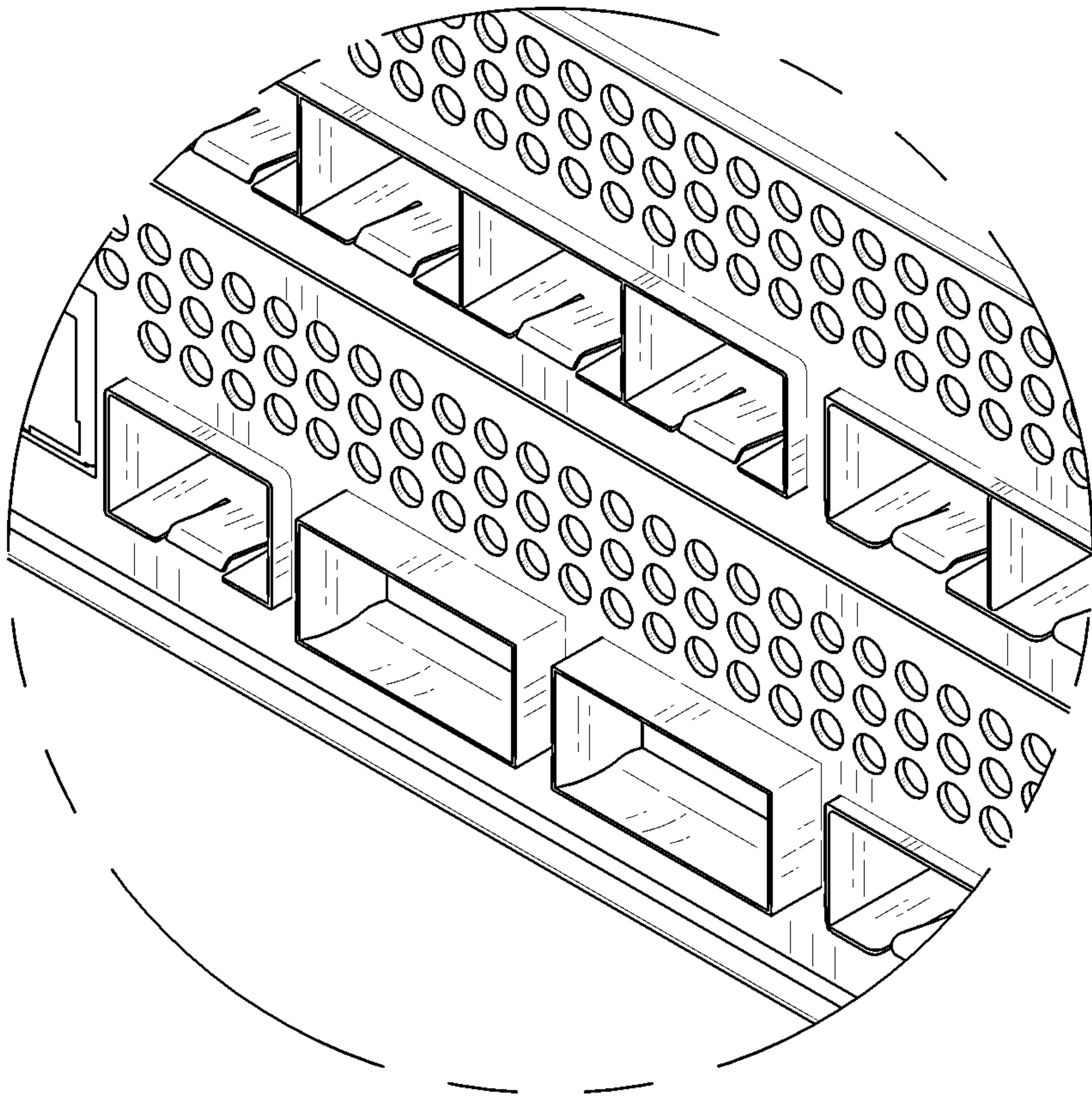


FIG. 9

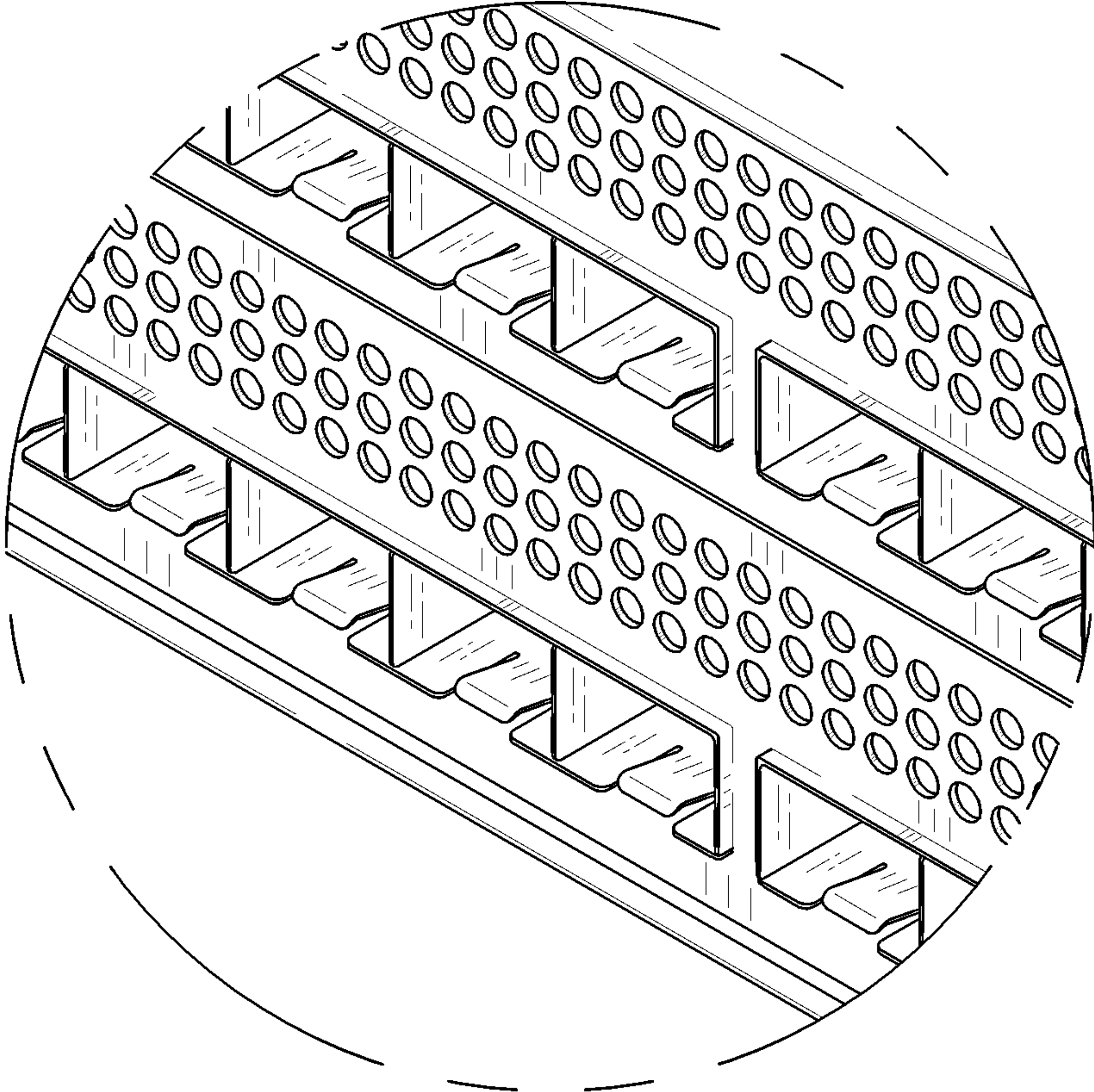


FIG. 10

