



US00D964327S

(12) **United States Design Patent**
Quiambao

(10) **Patent No.:** **US D964,327 S**
(45) **Date of Patent:** **** Sep. 20, 2022**

- (54) **ANTENNA**
- (71) Applicant: **Avery Dennison Retail Information Services, LLC**, Mentor, OH (US)
- (72) Inventor: **Arvin Canlas Quiambao**, Kedah (MY)
- (73) Assignee: **Avery Dennison Retail Information Services, LLC**, Mentor, OH (US)
- (**) Term: **15 Years**

D828,340	S	*	9/2018	Forster	D14/230
D840,985	S	*	2/2019	Forster	D14/230
D857,673	S	*	8/2019	Forster	D14/230
D858,492	S	*	9/2019	Man	D14/230
D874,447	S	*	2/2020	Howard	D14/230
D875,721	S		2/2020	Forster		
D893,464	S	*	8/2020	Forster	D14/230
D909,352	S	*	2/2021	Howard	D14/230
2011/0220727	A1	*	9/2011	Lee	H01Q 1/2208 343/822
2019/0109617	A1	*	4/2019	Omori	G06K 19/077
2020/0302261	A1	*	9/2020	Maeda	G06K 19/07749

- (21) Appl. No.: **29/775,829**
- (22) Filed: **Mar. 25, 2021**
- (51) **LOC (13) Cl.** **14-03**
- (52) **U.S. Cl.**
USPC **D14/230**
- (58) **Field of Classification Search**
USPC D14/230, 489, 492, 218; D20/22;
D11/3; D19/1; D13/182; D24/122, 124,
D24/126, 199, 200, 206; D18/17, 18
CPC H05K 11/00; G05D 1/0234; H01Q 7/00;
H01Q 13/10; H01Q 9/285; H01Q 19/30;
H01Q 19/12
See application file for complete search history.

FOREIGN PATENT DOCUMENTS

CN	305775128	*	5/2020
CN	305938960	*	7/2020
CN	306105865	*	10/2020
CN	306579545	*	6/2021

(Continued)

OTHER PUBLICATIONS

Simlug, Electronic 100pcs RFID Label . . . , available at amazon.com, first date available Nov. 5, 2020, site visited May 2, 2022, Available at URL: https://www.amazon.com/dp/B08MTL4HT4/ref=cm_sw_em_r_mt_dp_4WDH7HZ74NQ191ENRYTA (Year: 2020).*

(Continued)

Primary Examiner — Daniel J Domino
Assistant Examiner — Samina Vieth

(56) **References Cited**

U.S. PATENT DOCUMENTS

D704,170	S	*	5/2014	Forster	D14/230
D704,171	S	*	5/2014	Forster	D14/230
D709,052	S		7/2014	Forster		
D710,338	S	*	8/2014	Forster	D14/230
D715,781	S	*	10/2014	Forster	D14/230
D716,275	S	*	10/2014	Forster	D14/230
D719,937	S	*	12/2014	Forster	D14/230
D776,093	S	*	1/2017	Forster	D14/230
D779,464	S	*	2/2017	Man	D14/230
D788,744	S	*	6/2017	Forster	D14/230
D809,489	S	*	2/2018	Burkholder	D14/230

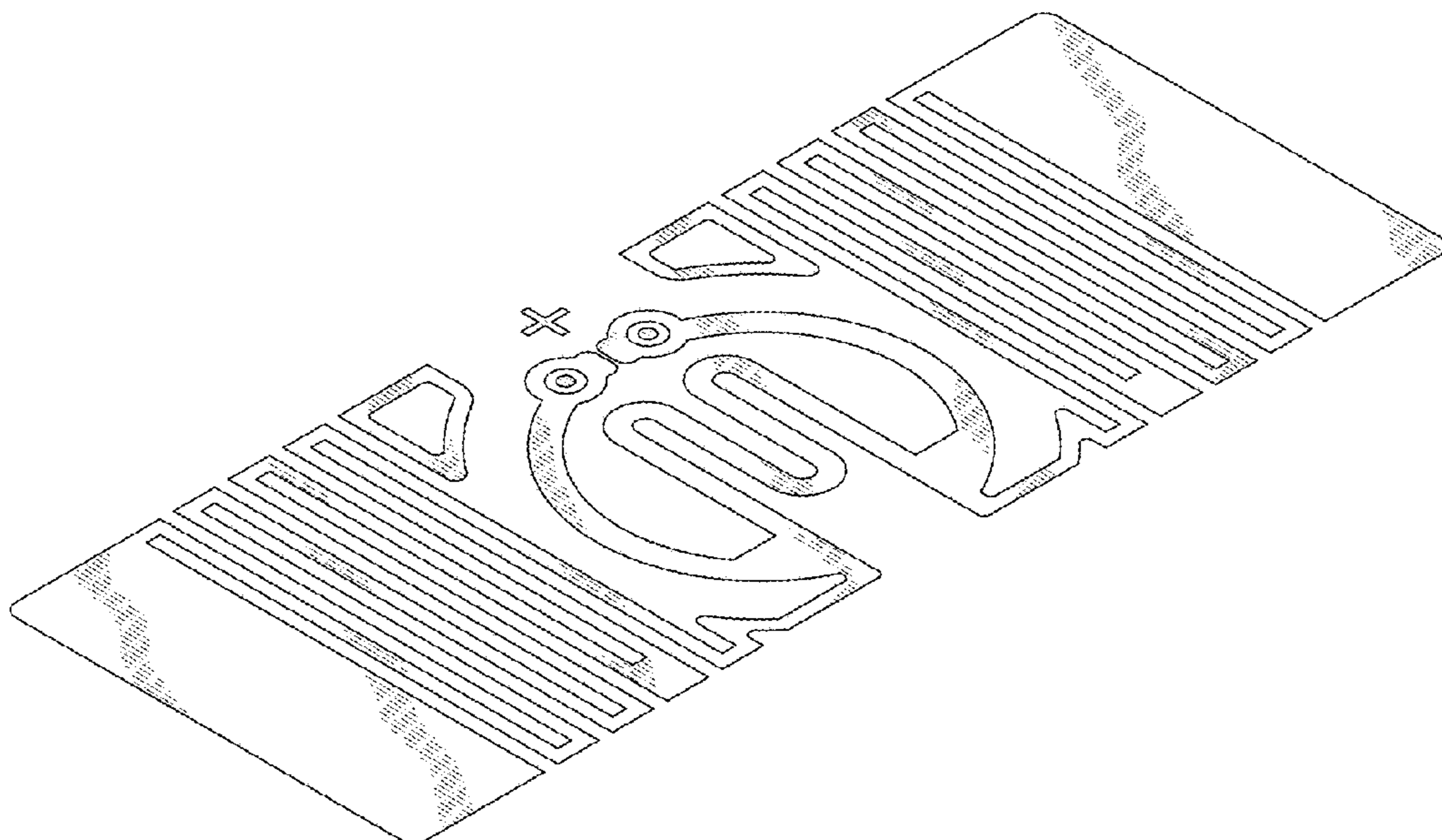
(57) **CLAIM**

The ornamental design for an antenna, as shown and described.

DESCRIPTION

FIG. 1 is an isometric view of an antenna, showing the design; and,
FIG. 2 is a top plan view thereof.

1 Claim, 2 Drawing Sheets



(56)

References Cited

FOREIGN PATENT DOCUMENTS

CN	307159673	*	3/2022
CN	307169761	*	3/2022
CN	307223446	*	4/2022
CN	307244335	*	4/2022
CN	307244356	*	4/2022
CN	307244357	*	4/2022

OTHER PUBLICATIONS

Avery Dennison, AD-321r6, available at digikey.com, date published 2015, site visited May 2, 2022, Available at URL: <https://media.digikey.com/pdf/Data%20Sheets/Avery%20Dennison%20PDFs/600599-600600-100314.pdf> (Year: 2015).*

Lanluoyeyong, New 100pcs 9640 H3 RFID UHF . . . , available at ebay.com, date first available Nov. 15, 2021, site visited May 4, 2022, Available at URL: <https://www.ebay.com/itm/233912360184?chn=ps&mkevt=1&mkcid=28> (Year: 2021).*

Maxplus888, 50pcs RFID UHF Passive Smart Label Tag . . . , available at ebay.com, date first available Mar. 7, 2018, site visited May 4, 2022, Available at URL: <https://www.ebay.com/itm/232689959121?chn=ps&mkevt=1&mkcid=28> (Year: 2018).*

Fongwah, UGF Tag with Alien 9662 Chip . . . , available at Amazon.com, date first available Jul. 6, 2019, site visited May 2, 2022, Available at URL: https://www.amazon.com/dp/B07L5KK5Y6/ref=cm_sw_em_r_mt_dp_KGJYNRFGR44S0J2S1CH3 (Year: 2019).*

Avery Dennison, AD-238u8, available at rfid.atlasrfidstore.com, date published 2021, site visited May 2, 2022, Available at URL: https://rfid.atlasrfidstore.com/hubfs/1_Tech_Spec_Sheets/Zebra/ATLAS%20Avery%20Dennison%20AD-238u8%20UHF%20RFID%20Tag.pdf (Year: 2021).*

* cited by examiner



FIG. 1

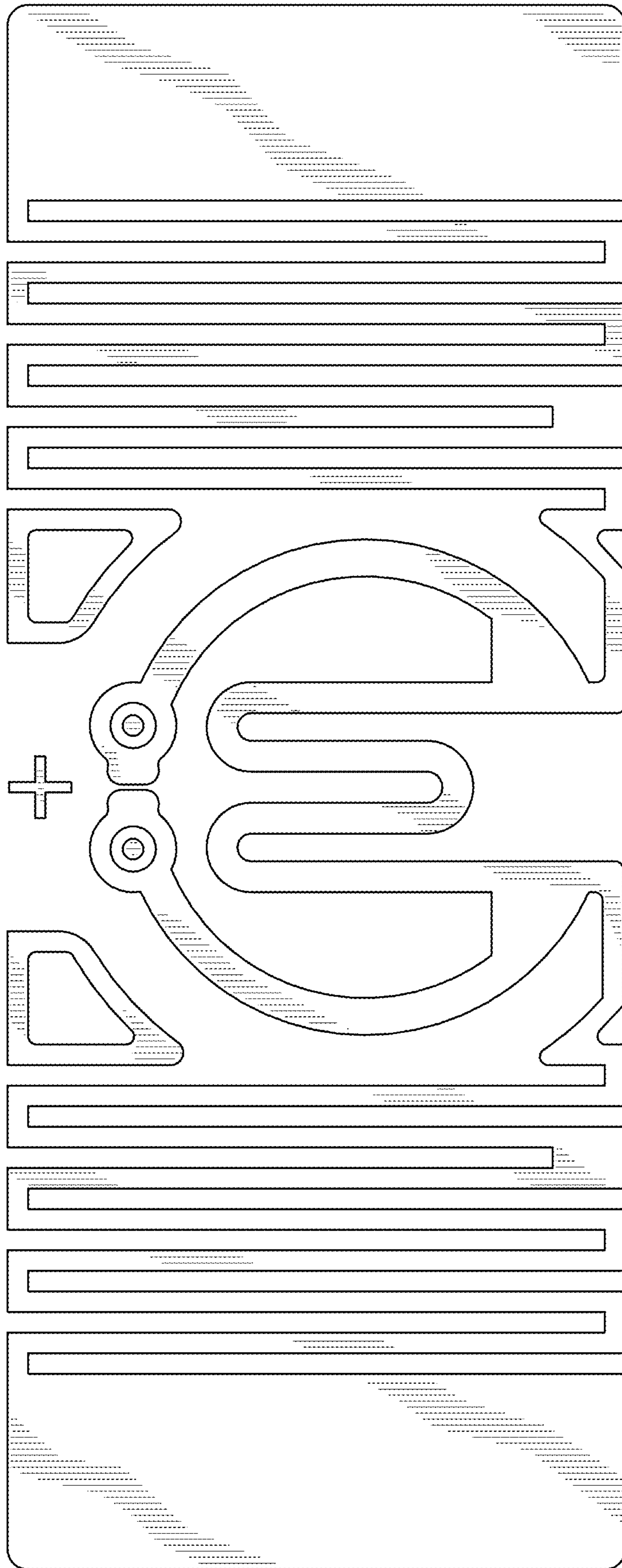


FIG. 2