

US00D964326S

(12) **United States Design Patent**
Gohto

(10) **Patent No.:** **US D964,326 S**

(45) **Date of Patent:** **** Sep. 20, 2022**

(54) **MICROPHONE STAND**

(71) Applicant: **Audio-Technica Corporation**, Tokyo (JP)

(72) Inventor: **Toshiyuki Gohto**, Tokyo (JP)

(73) Assignee: **AUDIO-TECHNICA CORPORATION**, Tokyo (JP)

(**) Term: **15 Years**

(21) Appl. No.: **29/688,070**

(22) Filed: **Apr. 18, 2019**

(30) **Foreign Application Priority Data**

Oct. 23, 2018 (JP) 2018-023222

(51) **LOC (13) Cl.** **14-01**

(52) **U.S. Cl.**
USPC **D14/229**

(58) **Field of Classification Search**

USPC D14/371-382, 125-129, 336, 337, D14/447-452, 492, 335, 376-382, 239, D14/457, 439-441, 432, 251-253; D8/51, 73, 349, 354, 363, 373, 376, 380, D8/394; D21/333; D12/415; D3/10, D3/218; 348/180, 184, 325, 739, 825; 248/323, 278.1, 286.1

CPC G06F 3/0412; G06F 3/016; G06F 3/0488; G06F 3/011; G06F 3/038; G06F 3/03543; G06F 3/0338; G06F 3/0202; G06F 3/0219; G06F 3/0213; G06F 1/1616; G06F 3/023; G06F 3/04883; G02F 1/13338; G02F 1/1313; G02F 1/1333; G02F 1/135; G02F 1/132; G02F 1/133308; G02F 1/134309; G02F 1/13718; G09G 3/3648; G06K 15/1252; B41J 2/465; G03F 7/70291; G02B 27/0172; G02B 5/30; G02B 2027/0118; G02B 27/0101; F16M 13/02; F16M

13/00; F16M 11/10; F16M 11/04; F16M 2200/08; F16M 11/2021; A47B 21/0314; A47B 88/044; A47B 2021/0335; H02G 3/126; F16B 47/00; F16B 47/006; A47G 1/17; A47K 2201/00

See application file for complete search history.

(56) **References Cited**

U.S. PATENT DOCUMENTS

D252,255 S *	7/1979	Uyeda	D8/394
4,339,113 A *	7/1982	Vosper	B25B 5/102
				29/257
5,096,170 A *	3/1992	Albin	B25B 5/163
				269/282
D332,562 S *	1/1993	Fremont	D8/73
D344,226 S *	2/1994	Glynn	D8/73
D355,104 S *	2/1995	Sorensen	D8/72
D365,263 S *	12/1995	Sorensen	D8/74
D393,998 S *	5/1998	Anderson	D8/394
D543,820 S *	6/2007	Brass	D8/72
D748,099 S *	1/2016	Heid	D14/447
D810,091 S *	2/2018	Cho	D14/451

(Continued)

Primary Examiner — Katie Jane Stofko

(74) *Attorney, Agent, or Firm* — WCF IP

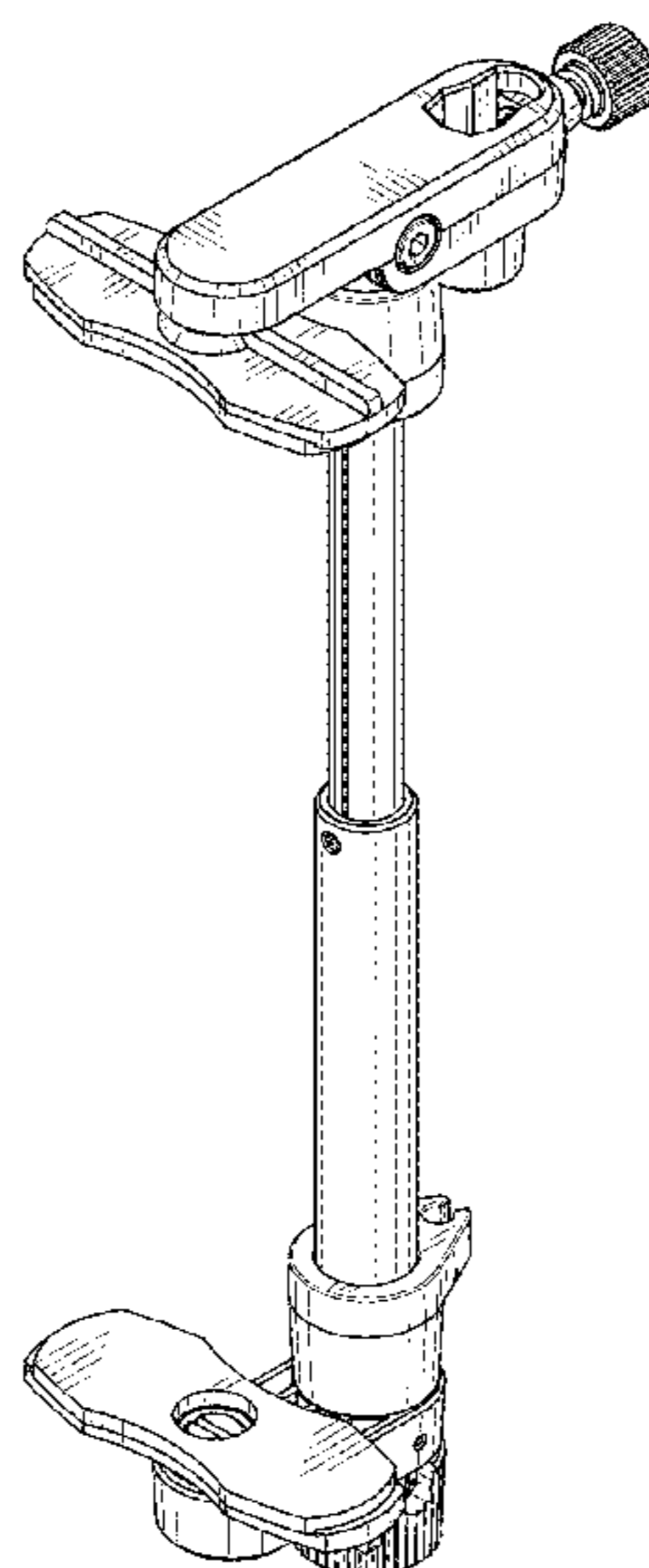
(57) **CLAIM**

The ornamental design for a microphone stand, as shown and described.

DESCRIPTION

FIG. 1 is a front, top and left side perspective view of a microphone stand, showing my new design;
FIG. 2 is a front view thereof;
FIG. 3 is a rear view thereof;
FIG. 4 is a top plan view thereof;
FIG. 5 is a bottom plan view thereof;
FIG. 6 is a left side view thereof; and,
FIG. 7 is a right side view thereof.

1 Claim, 4 Drawing Sheets



(56)

References Cited

U.S. PATENT DOCUMENTS

D859,953 S * 9/2019 Pililaa D8/73
D863,411 S * 10/2019 Liao D16/243

* cited by examiner

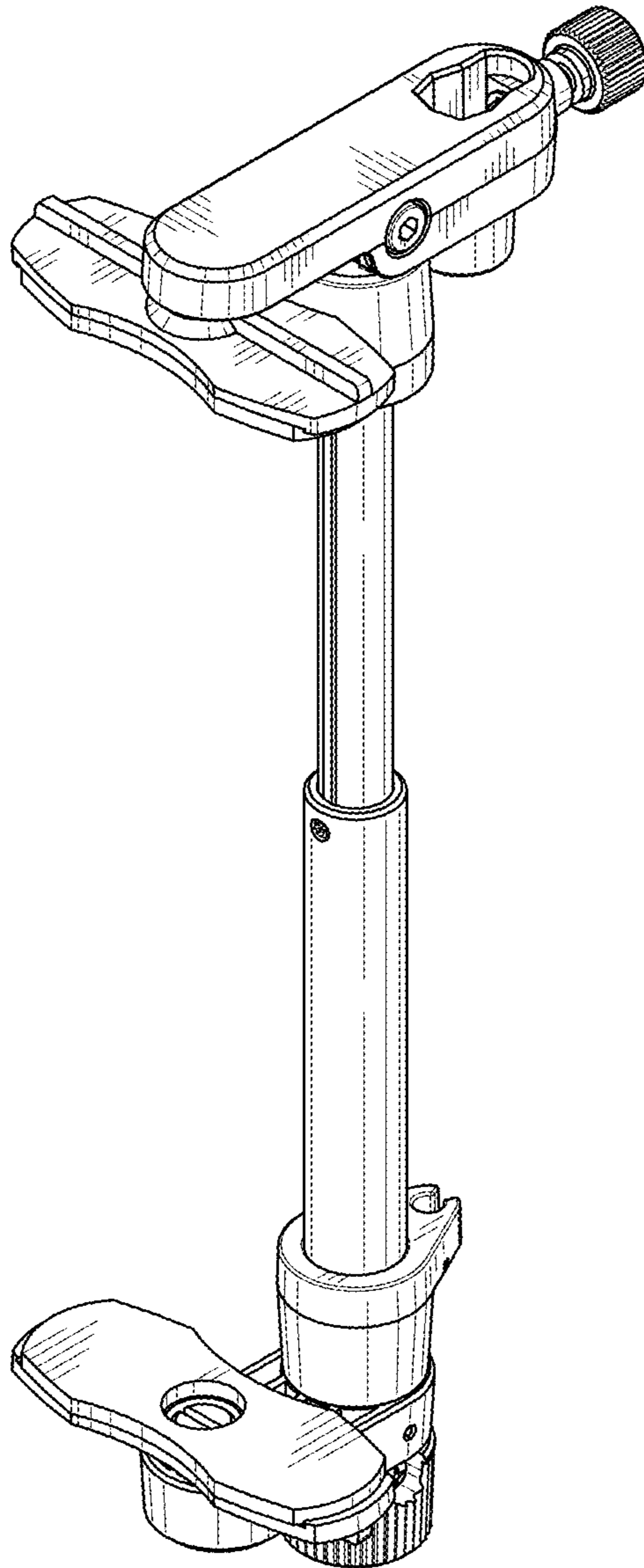


FIG. 1

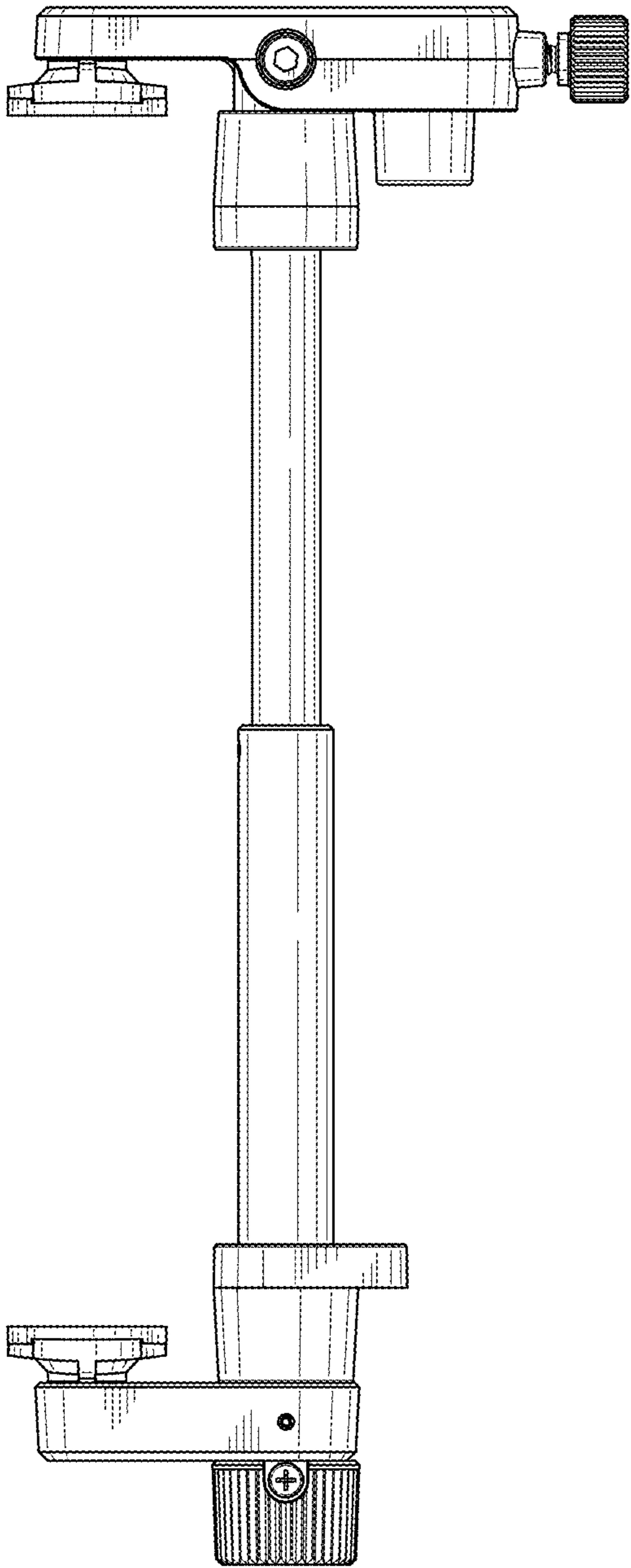


FIG. 2

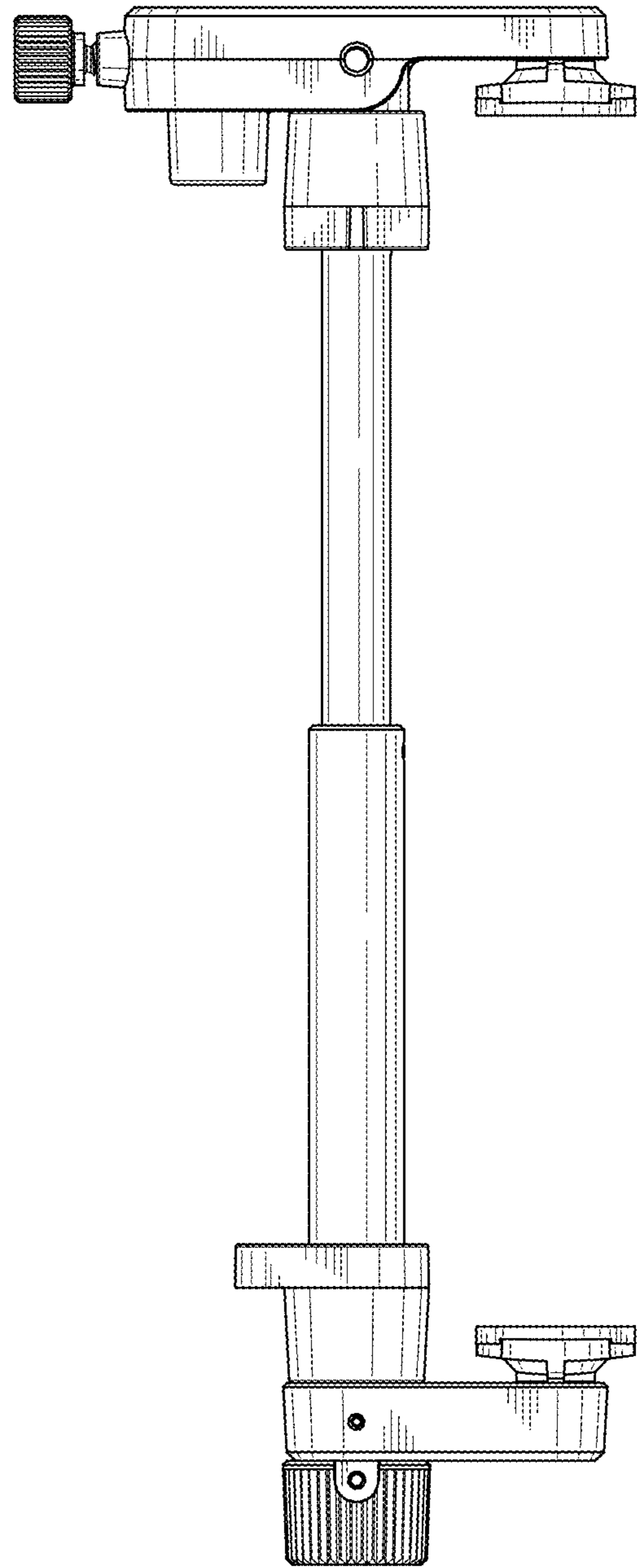


FIG. 3

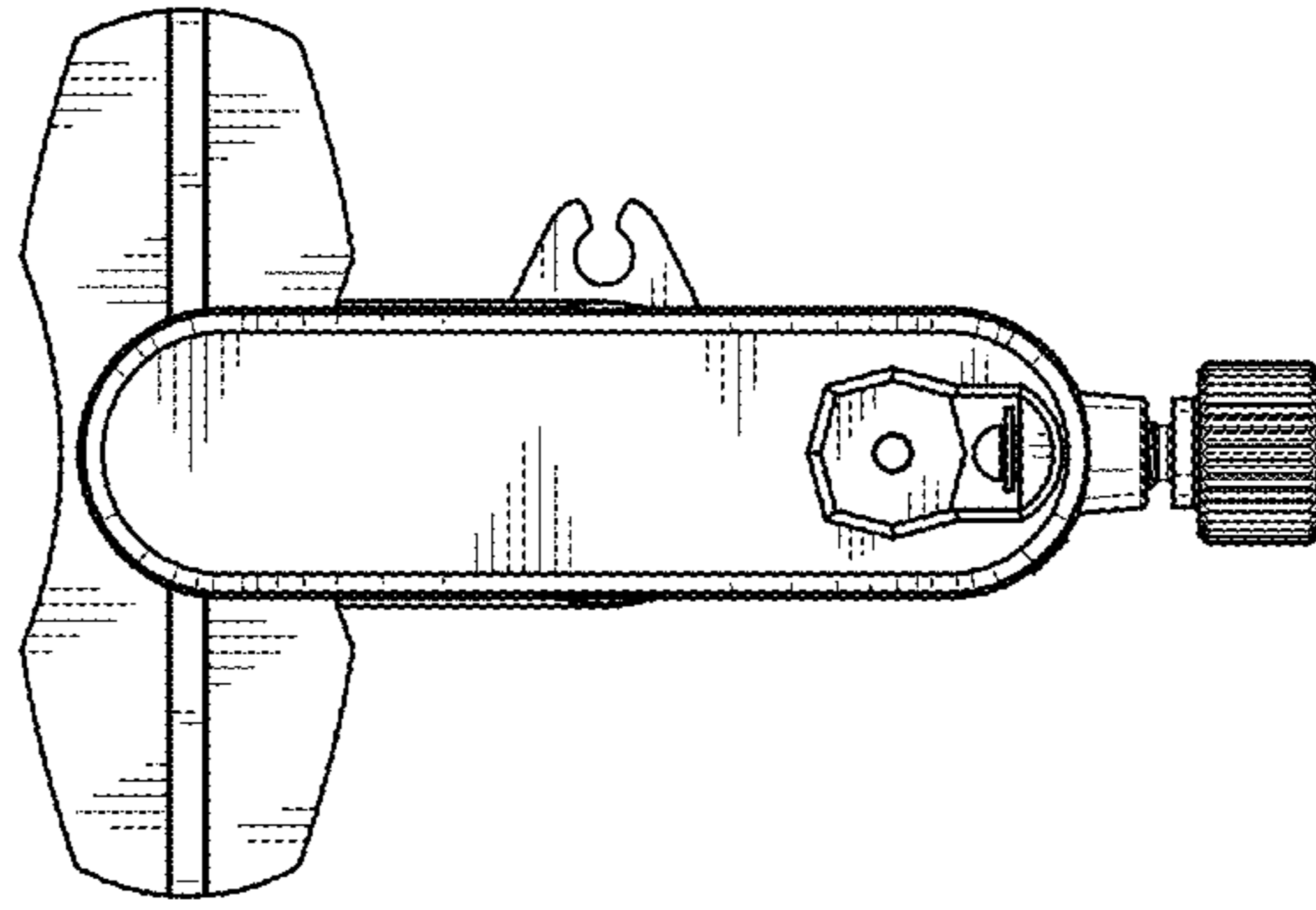


FIG. 4

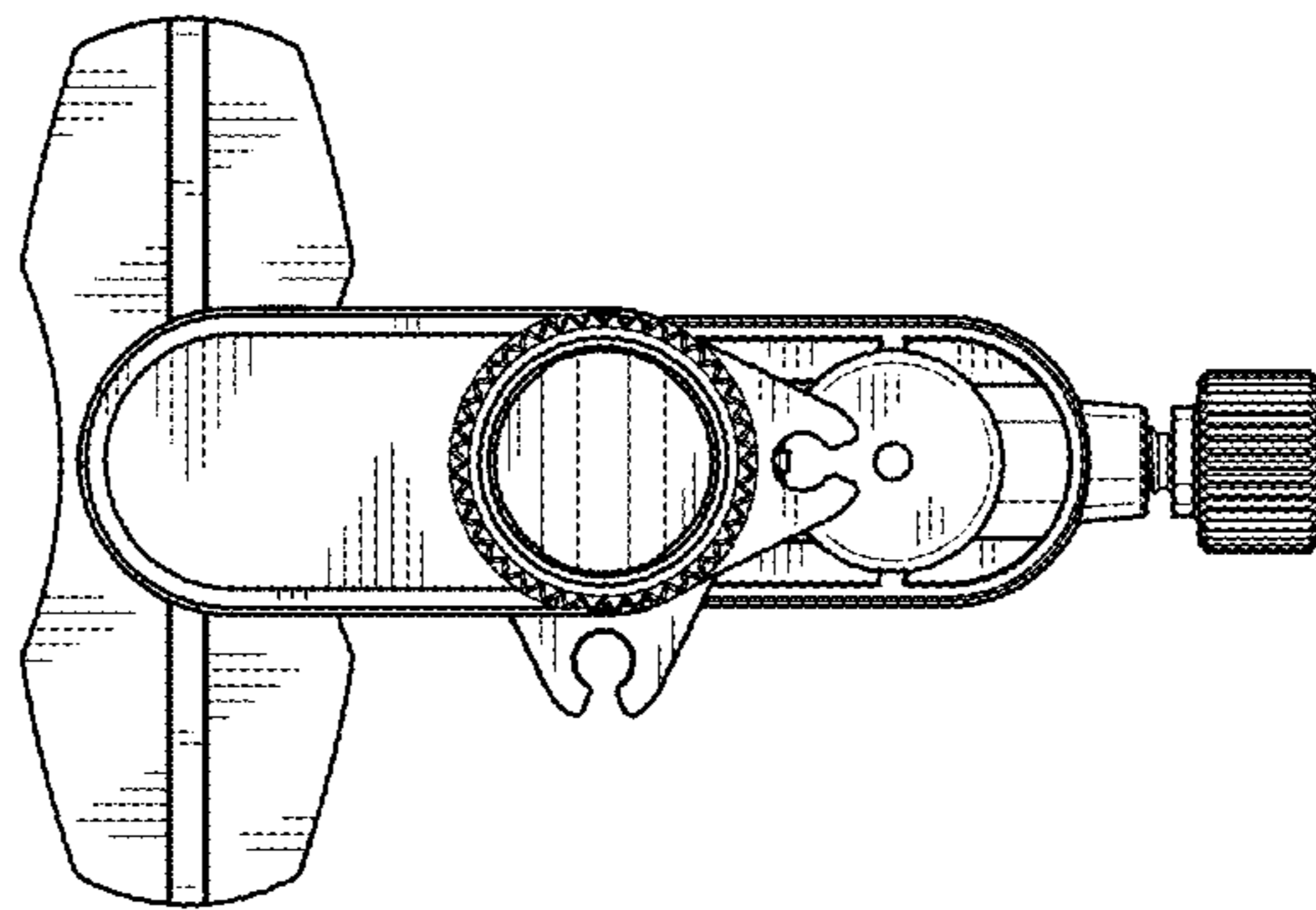


FIG. 5

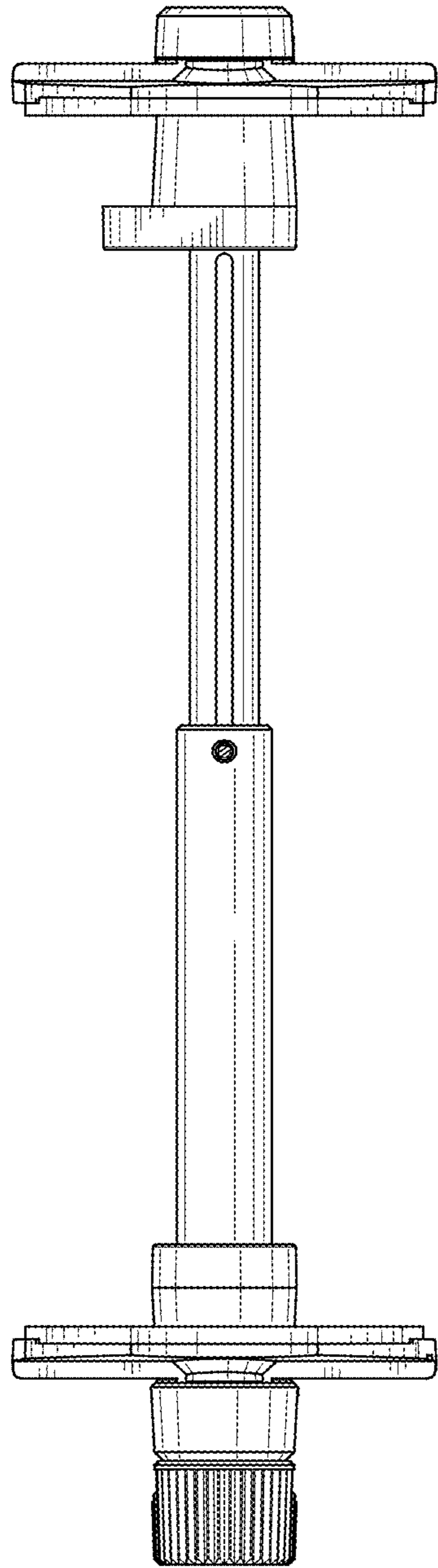


FIG. 6

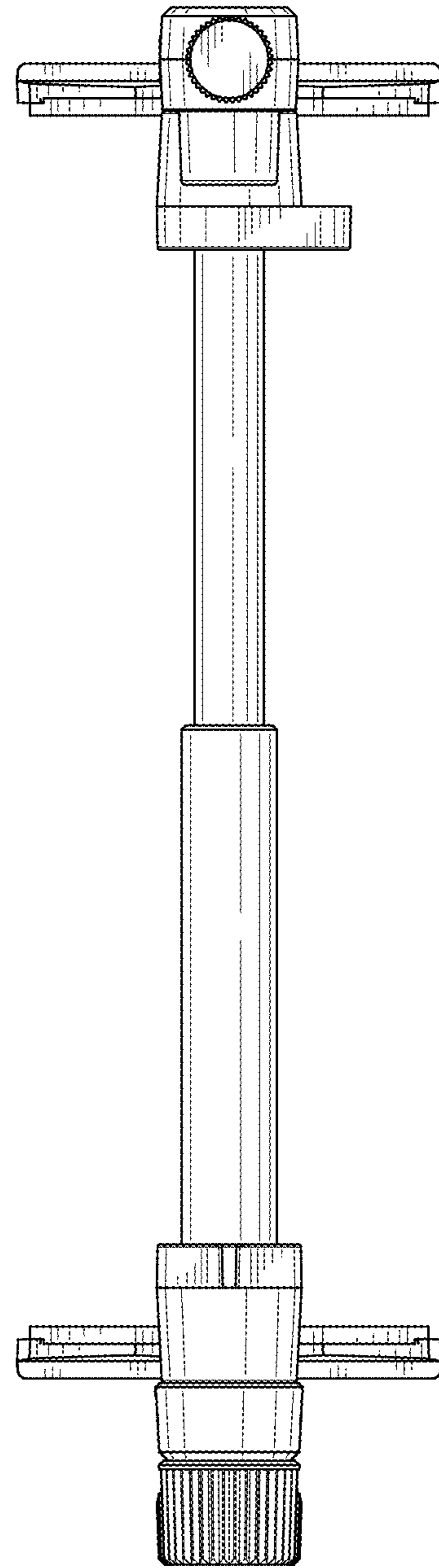


FIG. 7