



US00D964325S

(12) **United States Design Patent** (10) **Patent No.:** **US D964,325 S**
Sieczkiewicz et al. (45) **Date of Patent:** **** Sep. 20, 2022**

(54) **HEADPHONE STAND**

FOREIGN PATENT DOCUMENTS

(71) Applicant: **NEEDERLAND LTD**, Cambridge (GB)

CN 306065094 * 9/2020

(72) Inventors: **Norbert Dominik Sieczkiewicz**, Szczecin (PL); **Marcin Słomkowski**, Szczecin (PL); **Michał Artur Nocoń**, Szczecin (PL)

OTHER PUBLICATIONS

AirPods Max stand, first available Sep. 9, 2021 [online], [retrieved Jun. 28, 2022]. Available from the Internet, URL:<https://i.etsystatic.com/24200905/r/il/26091e/3906766281/il_794xN.3906766281_dp9u.jpg>. (Year: 2021).*

(73) Assignee: **Neederland LTD**, Cambridge (GB)

Truestand Unibody, first available Jan. 29, 2021 [online], [retrieved Jun. 28, 2022]. Available from the Internet, URL:<<https://theawesomer.com/truestand-unibody-headphone-stand/608863/>>. (Year: 2021).*

(**) Term: **15 Years**

* cited by examiner

(21) Appl. No.: **29/755,447**

(22) Filed: **Oct. 20, 2020**

Primary Examiner — Shawn T Gingrich

(51) **LOC (13) Cl.** **14-03**

Assistant Examiner — Russell Carnell Smith, Jr.

(52) **U.S. Cl.**

(74) *Attorney, Agent, or Firm* — Anooj Patel; Kevin

USPC **D14/224**

Schraven; Hankin Patent Law, APC

(58) **Field of Classification Search**

USPC D14/229, 238, 224, 251, 253, 432, 433, D14/434; D6/329, 641, 647, 656, 698; D7/9.1, 9.2; D13/107, 108; D8/72, 343, D8/373, 380, 394

(57) **CLAIM**

CPC G06F 1/16; A47B 91/00; A47B 97/04; F16M 11/00; A47G 1/16

The ornamental design for a headphone stand, as shown and described.

See application file for complete search history.

DESCRIPTION

(56) **References Cited**

FIG. 1 is a top perspective view of a headphone stand, showing our new design.

U.S. PATENT DOCUMENTS

D676,377 S *	2/2013	Nokuo	D13/108
D734,384 S *	7/2015	Han	D16/242
D816,028 S *	4/2018	Chen	D13/108
D820,782 S *	6/2018	Wang	D13/107
D895,542 S *	9/2020	Bell	D13/108
D896,748 S *	9/2020	Fonzo	D13/107
D902,150 S *	11/2020	Sun	D13/108
D936,067 S *	11/2021	Kanter	D14/447
2020/0072522 A1 *	3/2020	Murphy	F25C 1/18

FIG. 2 is a bottom perspective view thereof.

FIG. 3 is a front elevational view thereof.

FIG. 4 is a rear elevational view thereof.

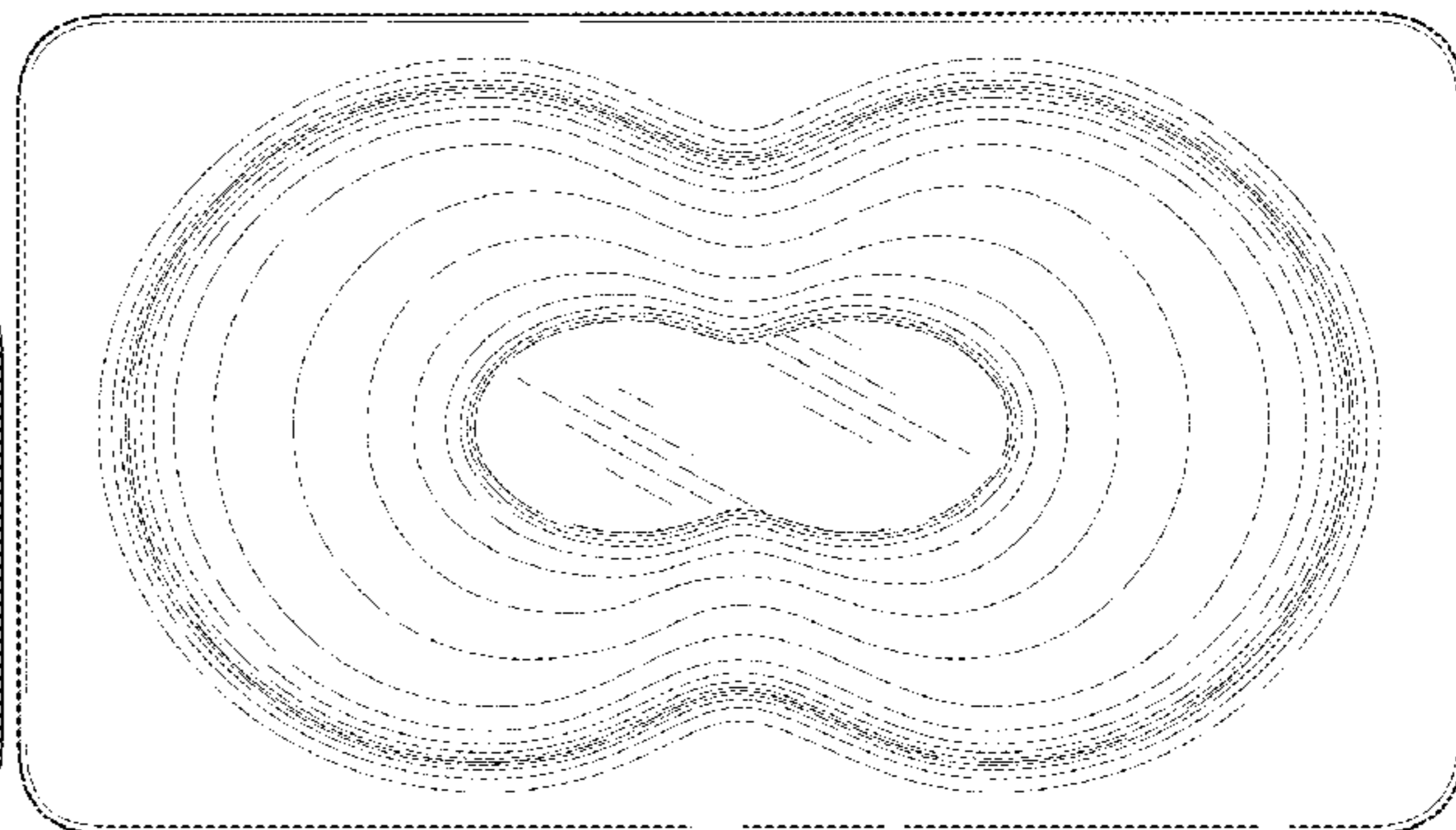
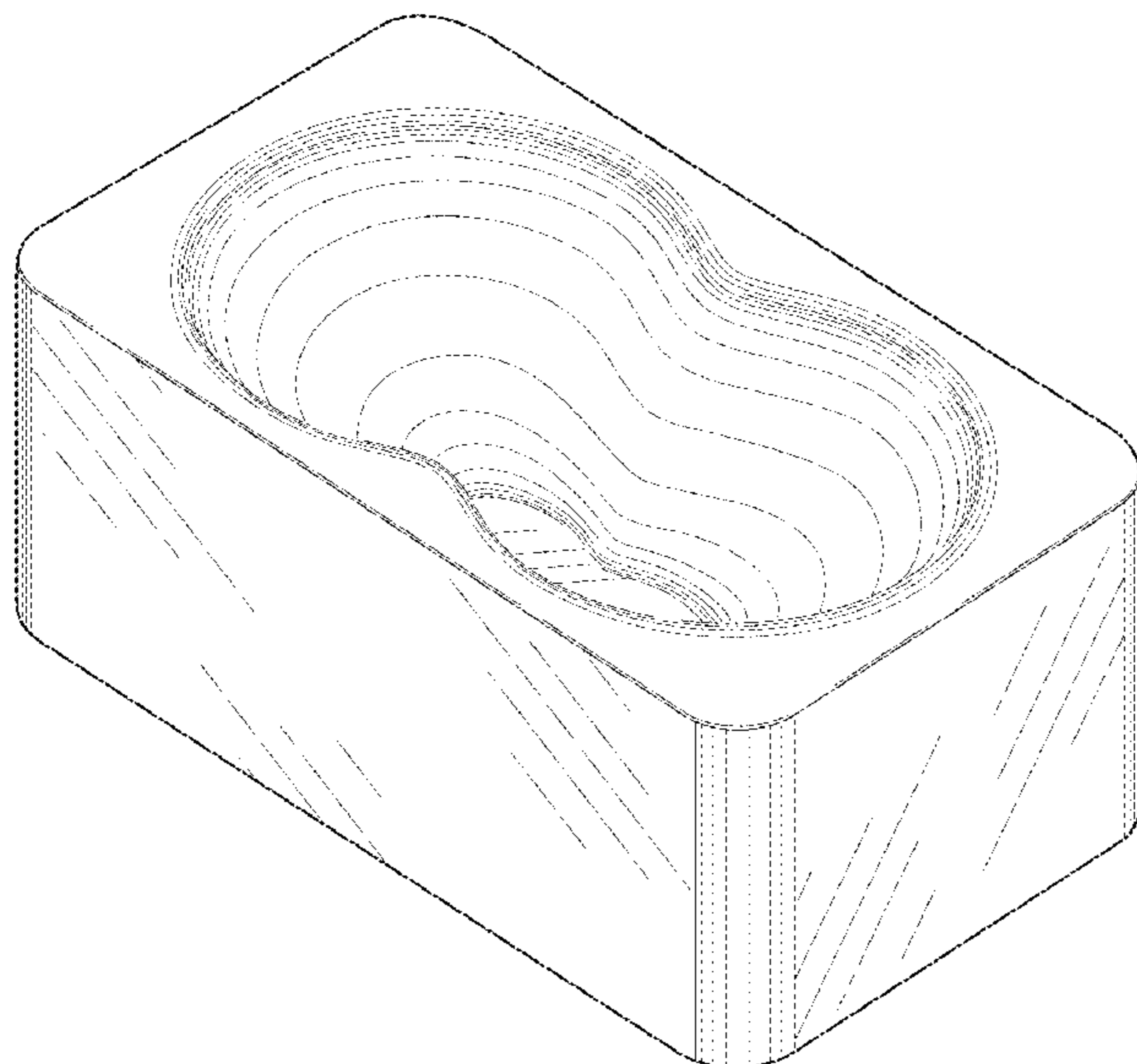
FIG. 5 is a right side elevational view thereof.

FIG. 6 is a left side elevational view thereof.

FIG. 7 is a top plan view thereof; and,

FIG. 8 is a bottom plan view thereof.

1 Claim, 8 Drawing Sheets



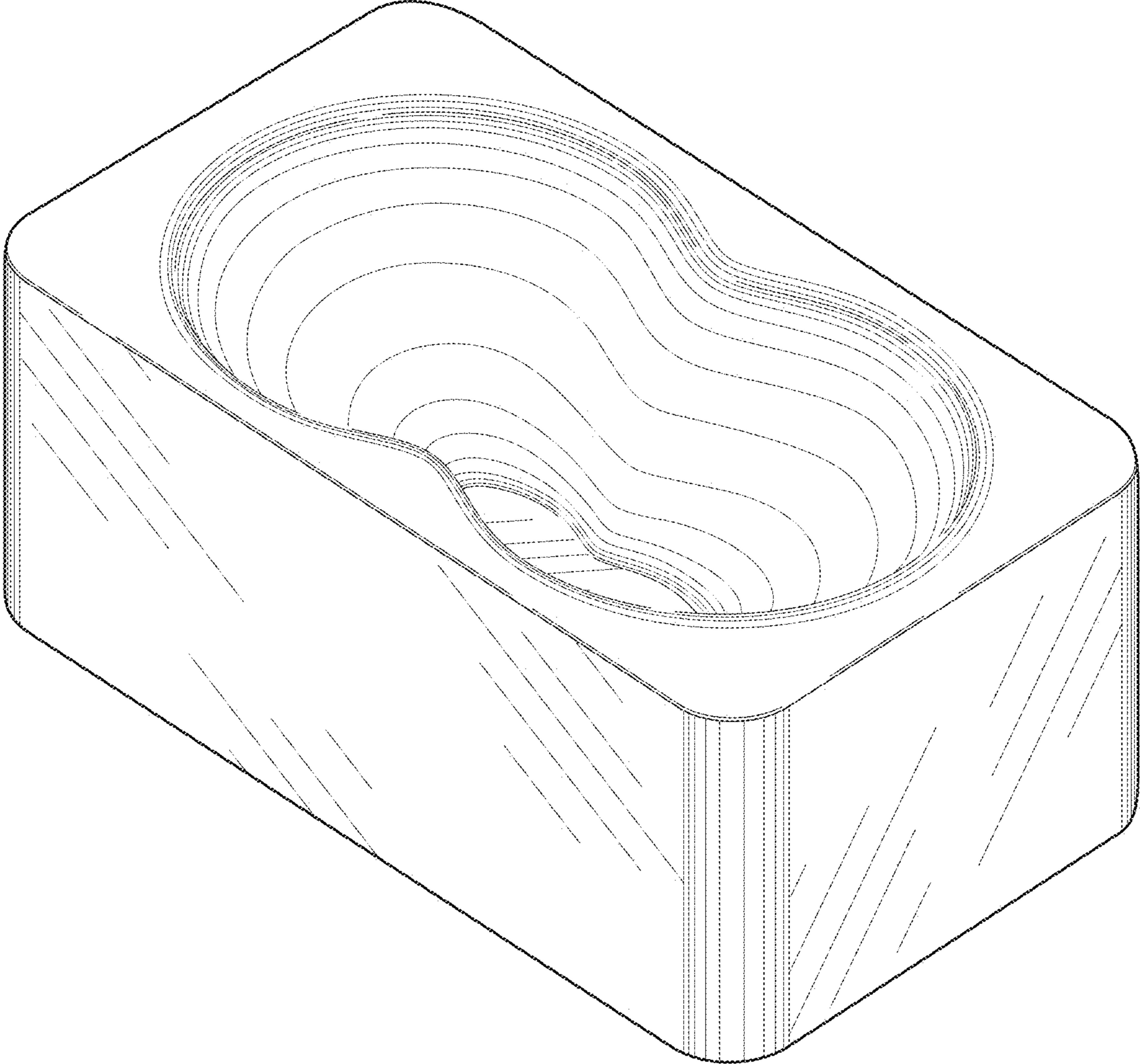


Fig. 1

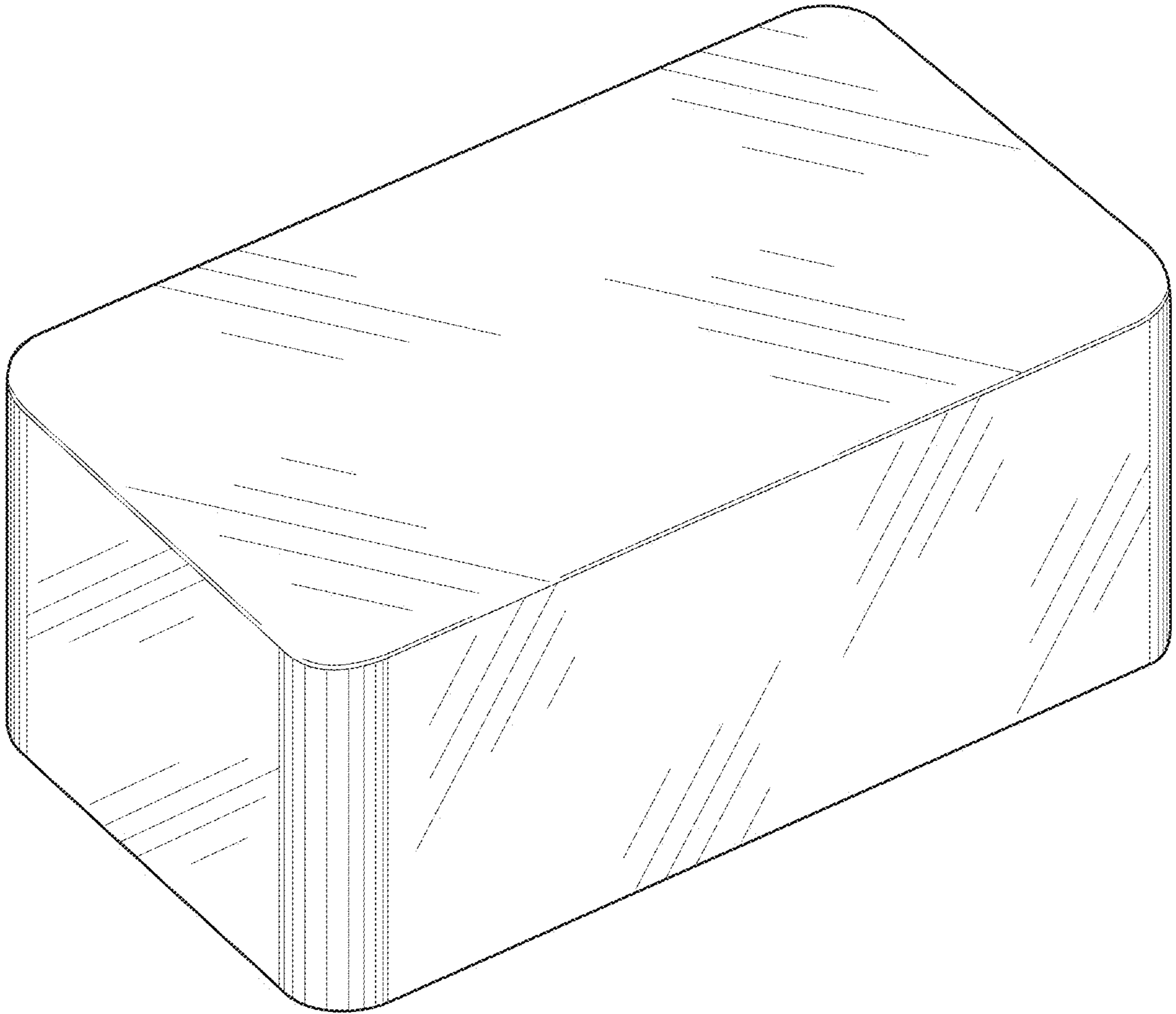


Fig.2

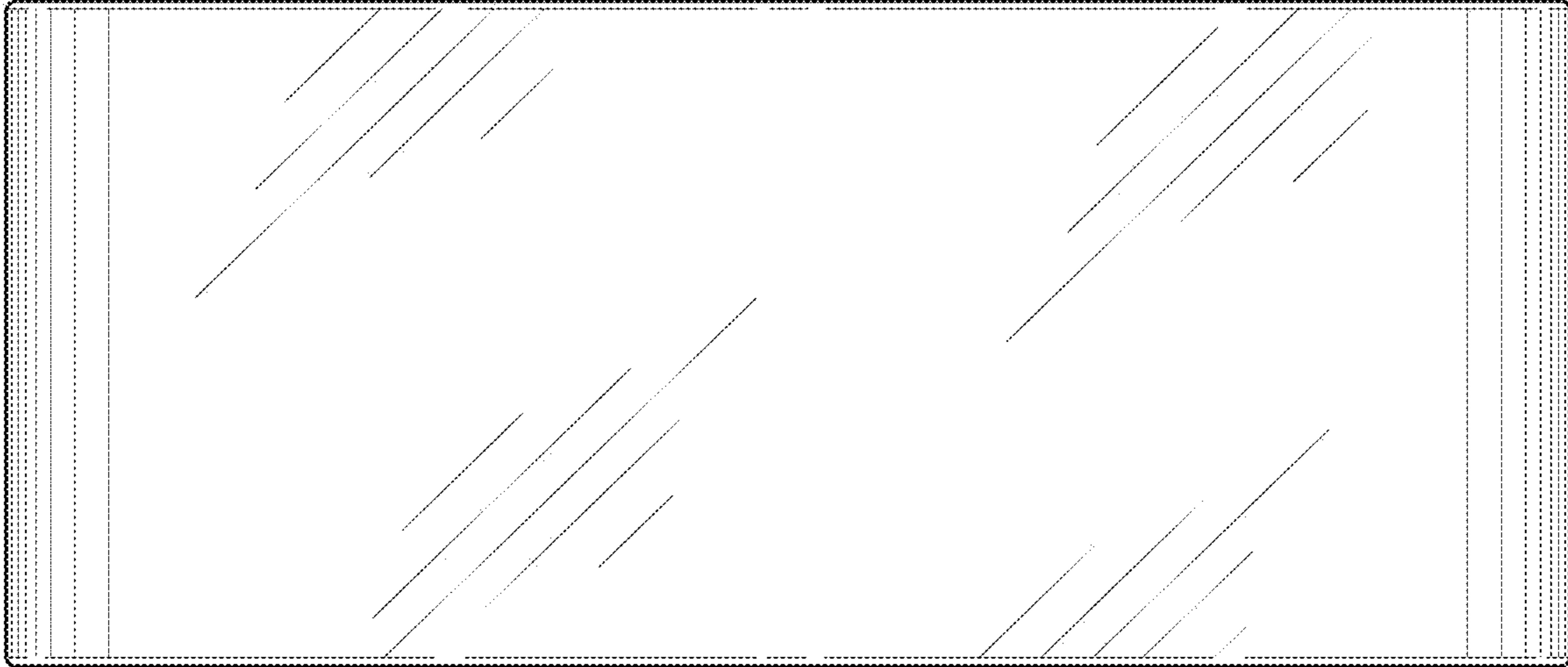


Fig.3

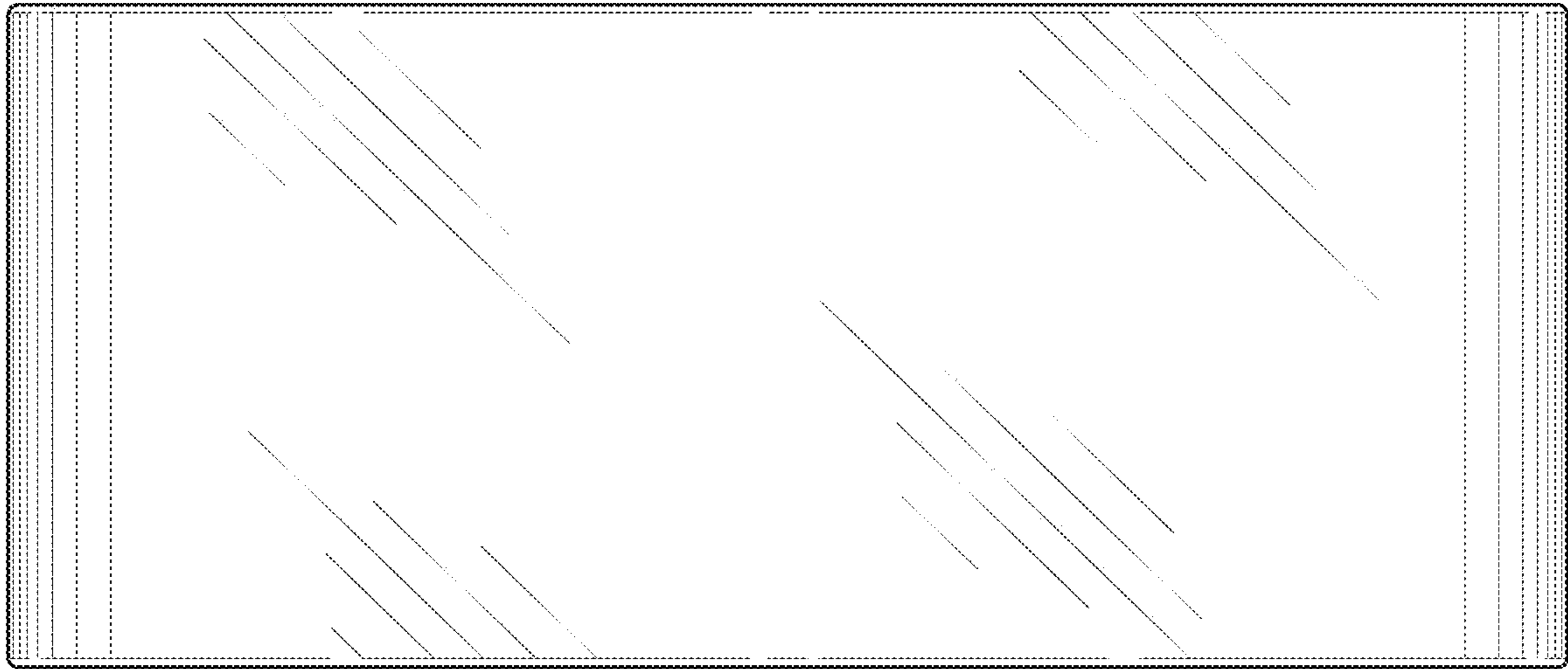


Fig.4

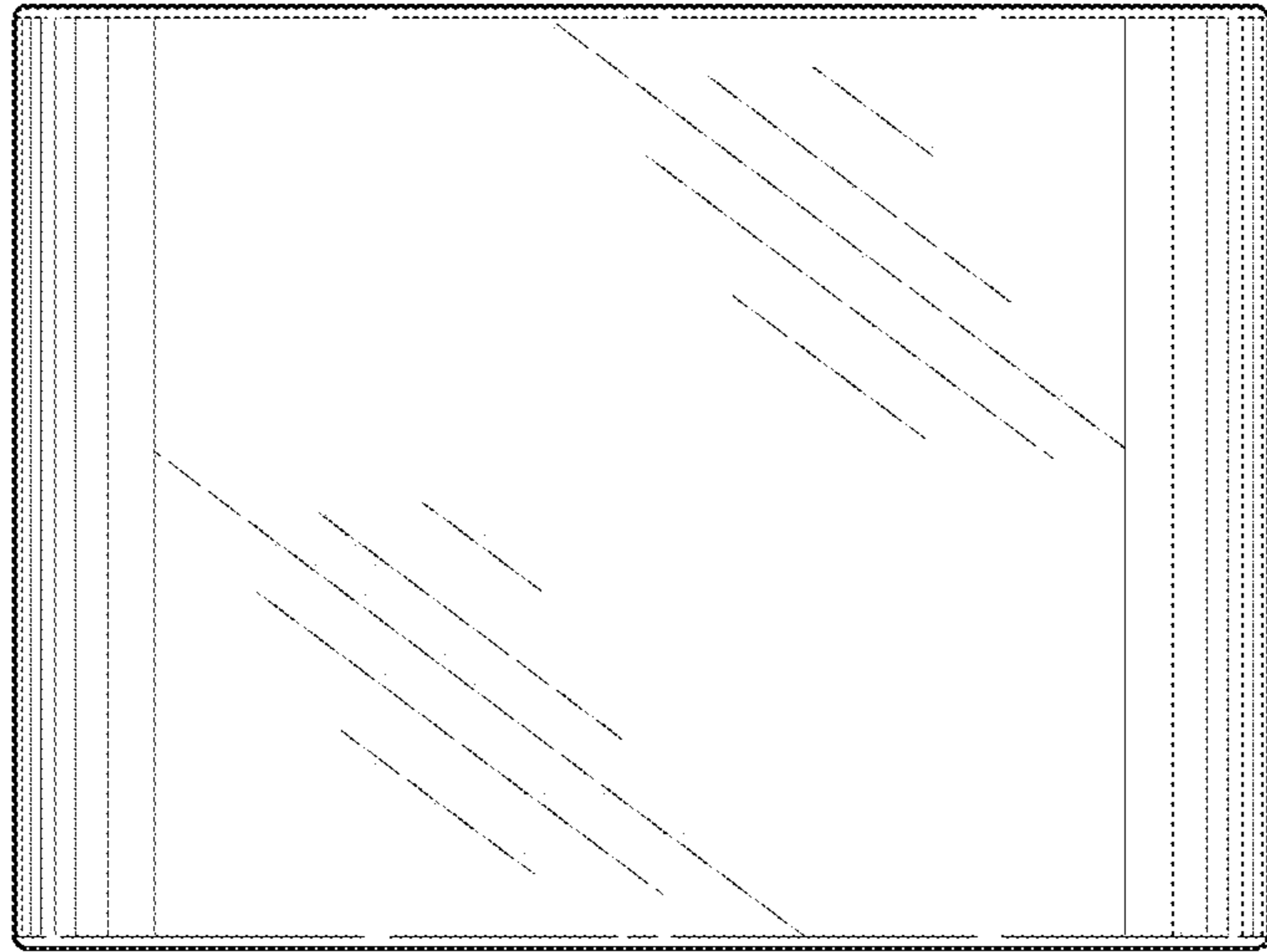


Fig.5

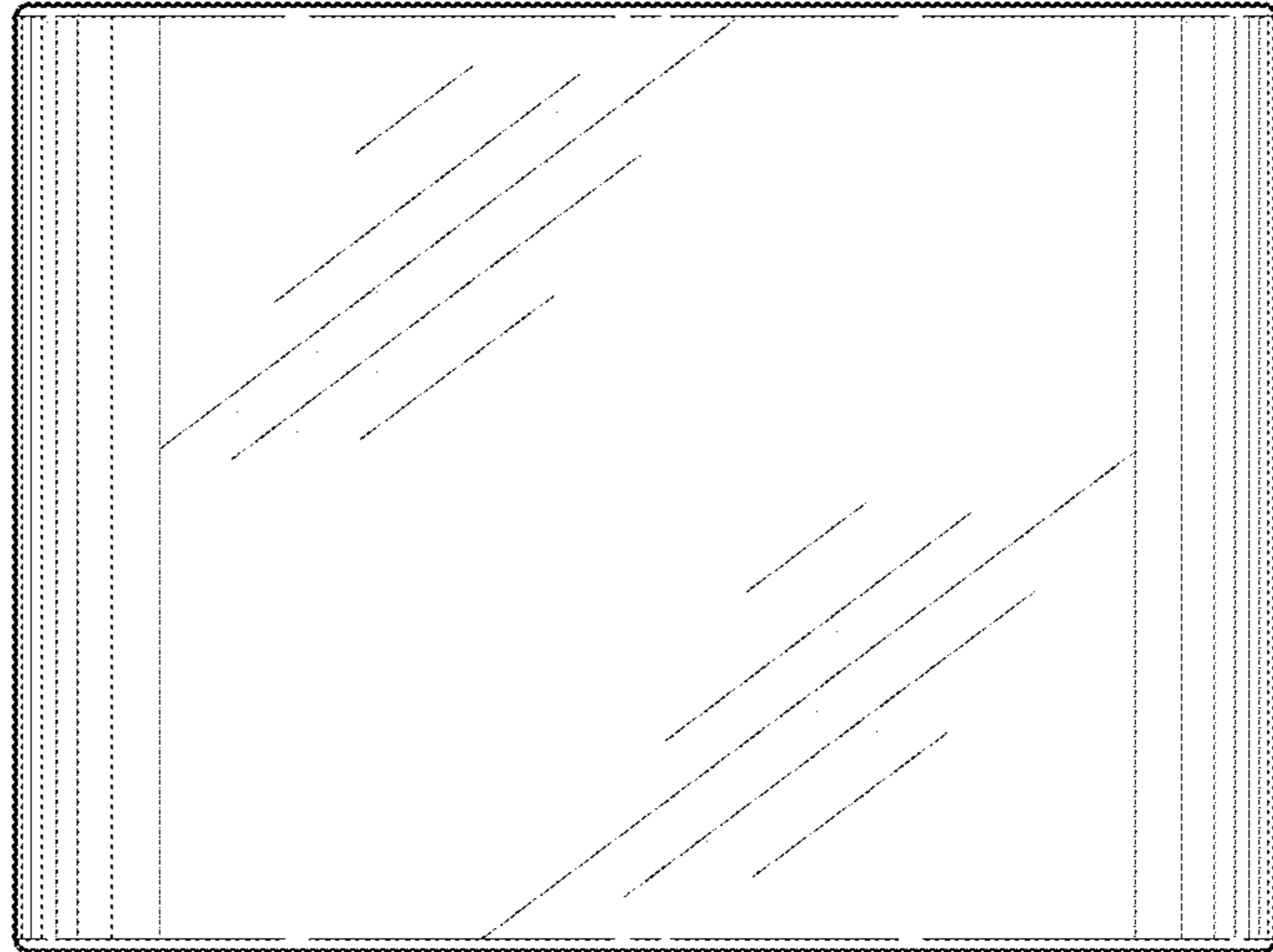


Fig.6

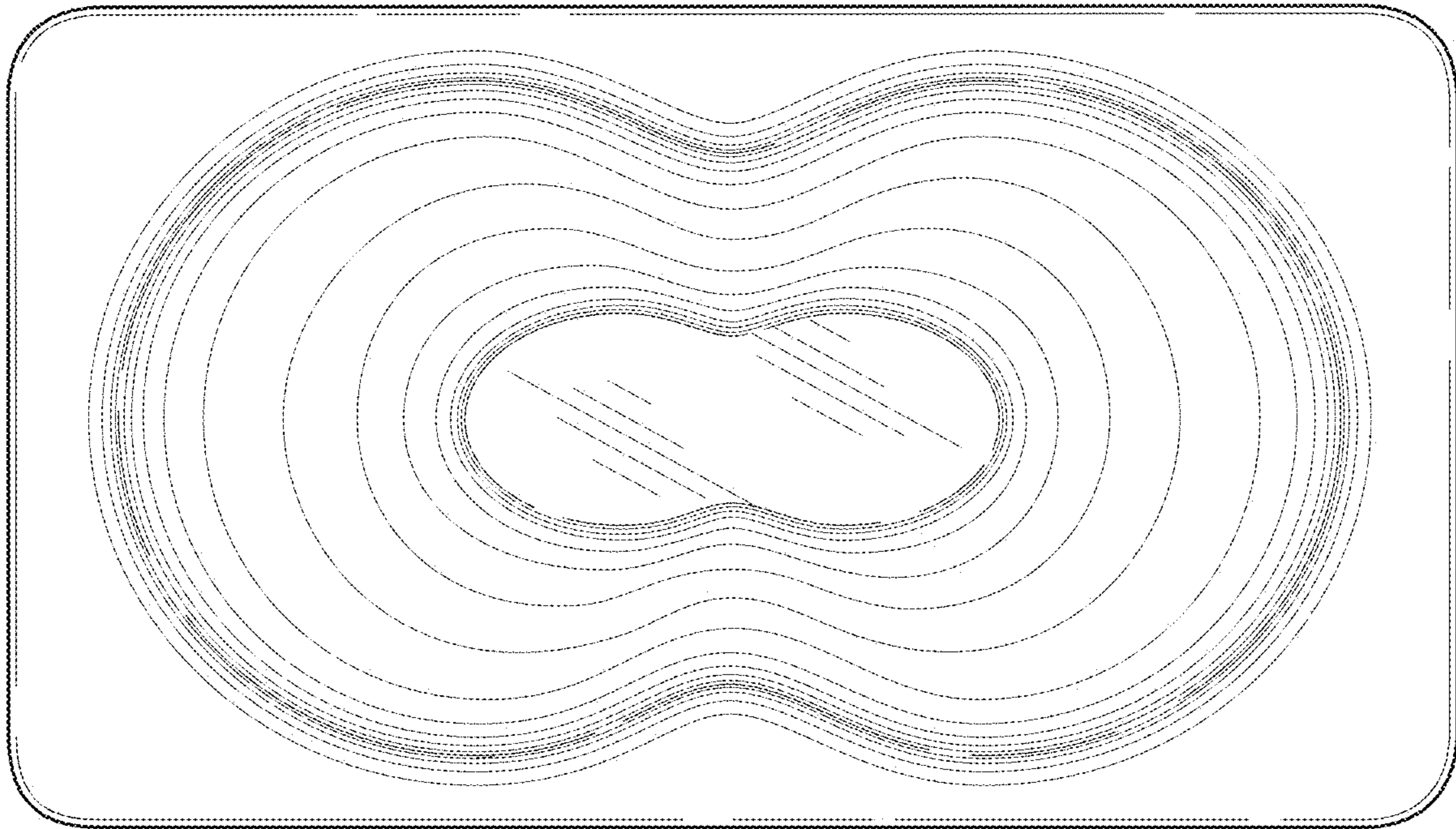


Fig.7

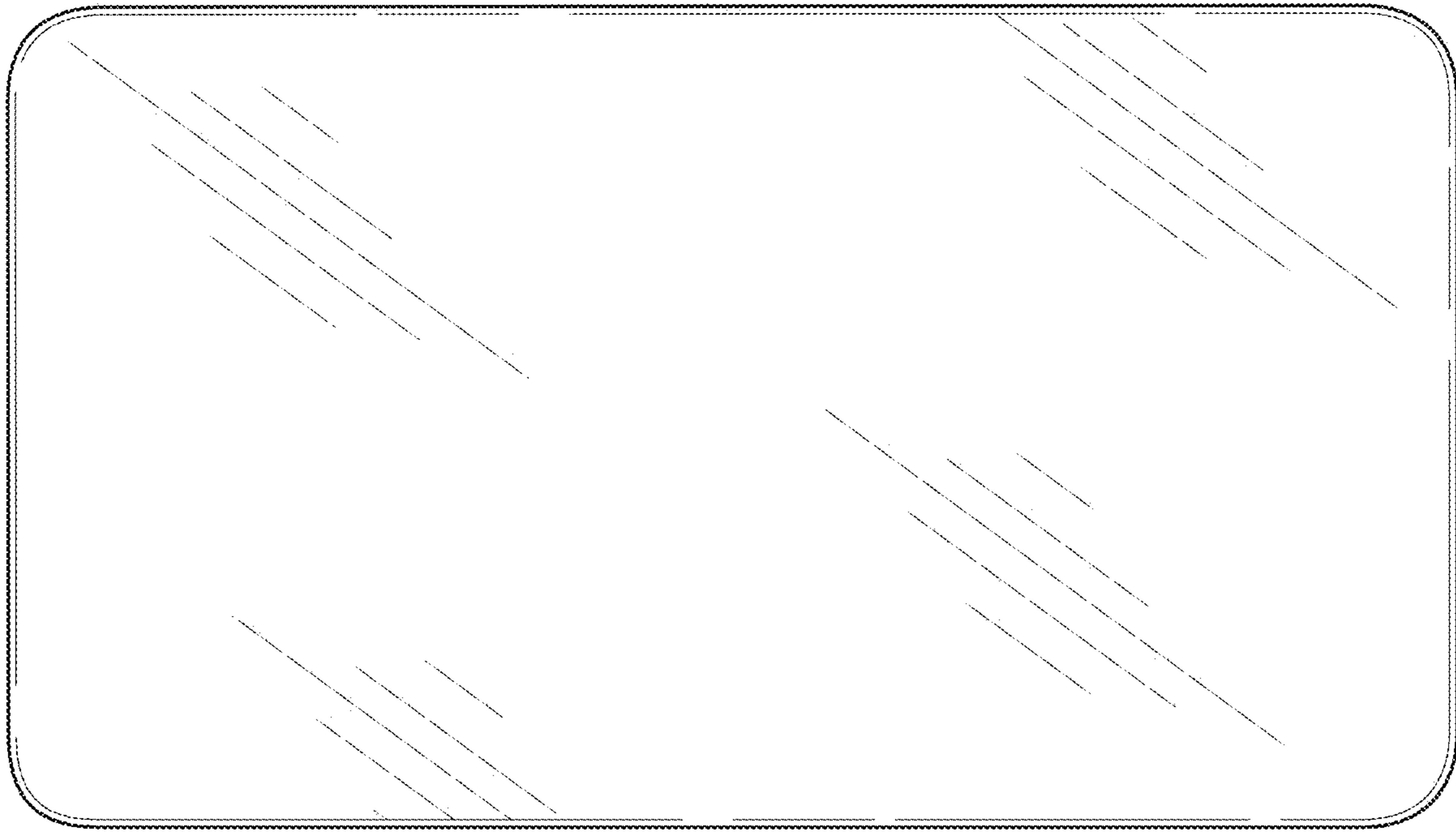


Fig. 8