



US00D964323S

(12) **United States Design Patent** (10) **Patent No.:** **US D964,323 S**
Liu (45) **Date of Patent:** **** Sep. 20, 2022**

(54) **CASE WITH EARPHONES**

(71) Applicant: **Realme Mobile Telecommunications (Shenzhen) Co., Ltd., Shenzhen (CN)**

(72) Inventor: **Bingxin Liu, Shenzhen (CN)**

(73) Assignee: **Realme Mobile Telecommunications (Shenzhen) Co., Ltd., Shenzhen (CN)**

(**) Term: **15 Years**

(21) Appl. No.: **29/775,865**

(22) Filed: **Mar. 25, 2021**

(30) **Foreign Application Priority Data**

Sep. 27, 2020 (CN) 202030580968.2

(51) **LOC (13) Cl.** **14-01**

(52) **U.S. Cl.**
USPC **D14/223**

(58) **Field of Classification Search**

USPC D14/223, 205, 224; D13/108; D3/201, D3/274, 294; D9/420, 424, 529, 521;

(Continued)

(56) **References Cited**

U.S. PATENT DOCUMENTS

D572,654 S * 7/2008 Kang D13/107
D735,131 S * 7/2015 Akana D13/108

(Continued)

FOREIGN PATENT DOCUMENTS

EM 001481451-0001 * 3/2021
EM 008842231-0001 * 1/2022

(Continued)

Primary Examiner — Paula Allen Greene

(74) *Attorney, Agent, or Firm* — Young Basile Hanlon & MacFarlane, P.C.

(57) **CLAIM**

The ornamental design for a case with earphones, as shown and described.

DESCRIPTION

FIG. 1 is a perspective view of a case with earphones showing my new design.

FIG. 2 is an exploded perspective view of the case with earphones of FIG. 1.

FIG. 3 is a right side view of the case with earphones of FIG. 1.

FIG. 4 is a front perspective view of the case in closed position of FIG. 1.

FIG. 5 is a front view of the case in closed position of FIG. 1.

FIG. 6 is a rear view of the case in closed position of FIG. 1.

FIG. 7 is a left side view of the case in closed position of FIG. 1.

FIG. 8 is a right side view of the case in closed position of FIG. 1.

FIG. 9 is a top view of the case in closed position of FIG. 1.

FIG. 10 is a bottom view of the case in closed position of FIG. 1.

FIG. 11 is a front perspective view of the left earphone of FIG. 1.

FIG. 12 is a rear perspective view of the left earphone of FIG. 1.

FIG. 13 is a front view of the left earphone of FIG. 1.

FIG. 14 is a rear view of the left earphone of FIG. 1.

FIG. 15 is a left side view of the left earphone of FIG. 1.

FIG. 16 is a right side view of the left earphone of FIG. 1.

FIG. 17 is a top view of the left earphone of FIG. 1.

FIG. 18 is a bottom view of the left earphone of FIG. 1.

FIG. 19 is a front perspective view of the right earphone of FIG. 1.

FIG. 20 is a rear perspective view of the right earphone of FIG. 1.

FIG. 21 is a front view of the right earphone of FIG. 1.

FIG. 22 is a rear view of the right earphone of FIG. 1.

FIG. 23 is a left side view of the right earphone of FIG. 1.

FIG. 24 is a right side view of the right earphone of FIG. 1.

(Continued)

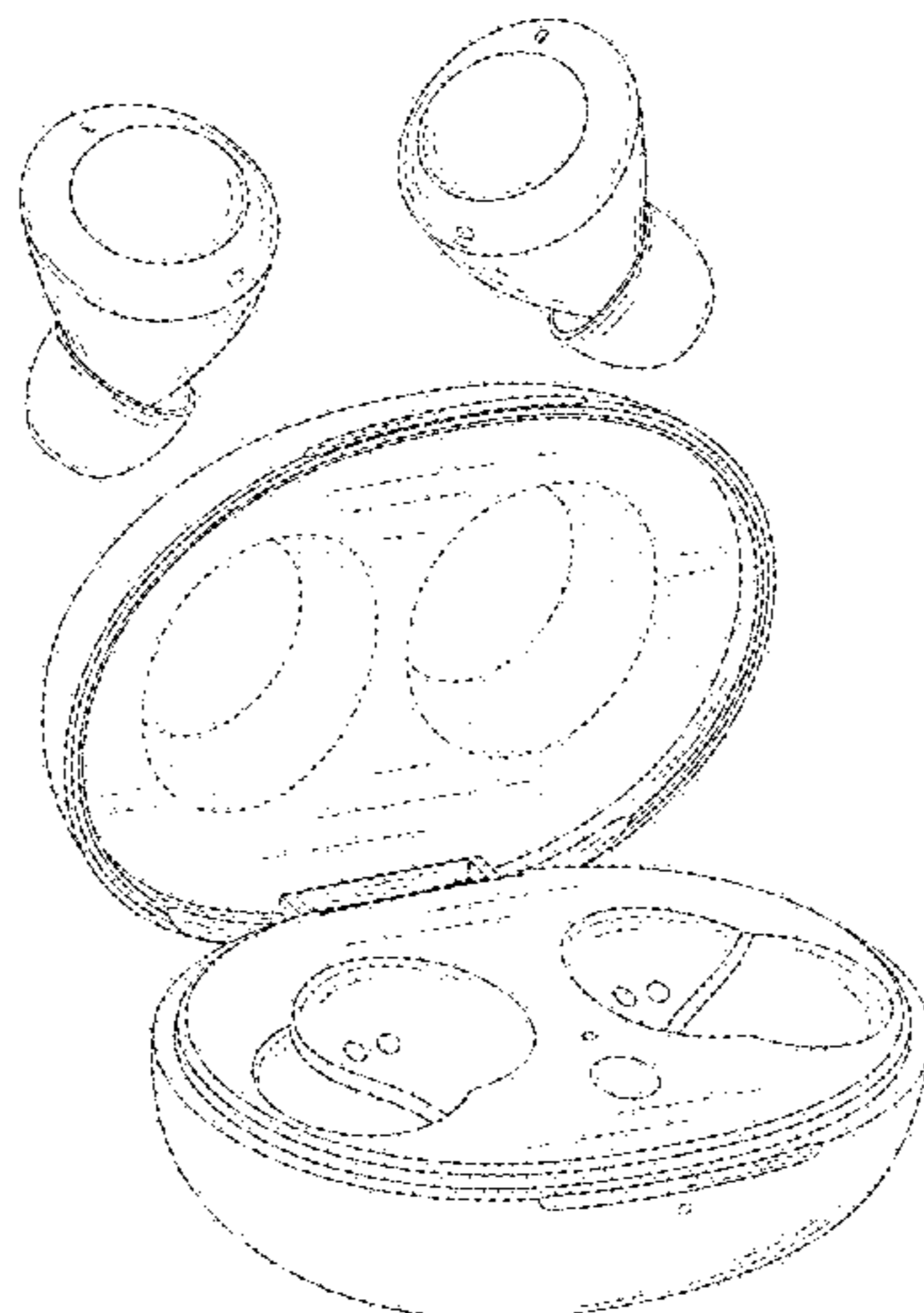


FIG. 25 is a top view of the right earphone of FIG. 1; and, FIG. 26 is a bottom view of the right earphone of FIG. 1. The broken lines depict portions of the case with earphones that form no part of the claimed design.

1 Claim, 13 Drawing Sheets

(58) **Field of Classification Search**

USPC D28/83, 66, 76, 78; 206/702, 268;
220/4.22; D24/174; 128/864–866;
381/380–381, 322, 328; 320/110;
455/90.3, 575.1, 569.1
CPC . H02J 7/025; A61F 11/08; H04R 1/10; H04R
1/1066; H04R 1/1016; H04R 5/033;
H04R 5/0335; B65D 25/10

See application file for complete search history.

(56) **References Cited**

U.S. PATENT DOCUMENTS

D818,268 S * 5/2018 Akana D3/294
D821,970 S * 7/2018 Loermann D13/107
D838,480 S * 1/2019 Son D3/294
D841,580 S * 2/2019 Bao D13/108
D841,581 S * 2/2019 Bonahoom D13/108
D841,626 S * 2/2019 Tang D14/223
D842,844 S * 3/2019 Li D14/223
10,234,133 B2 * 3/2019 Hirsch H04R 1/1041
D845,932 S * 4/2019 Lu D14/223
D863,260 S * 10/2019 Zheng D14/223
D870,451 S * 12/2019 Birger D14/223
D873,217 S * 1/2020 Zhang D3/294
D883,958 S * 5/2020 Liu D14/223
D887,351 S * 6/2020 Bonahoom D13/108
D888,664 S * 6/2020 Ma D13/108
10,701,472 B1 * 6/2020 Xu H02J 7/0044
D892,083 S * 8/2020 Kwak D14/217
D892,087 S * 8/2020 Briggs D14/223
D894,160 S * 8/2020 Andreovski D14/223
D895,580 S * 9/2020 Yu D14/223
D896,205 S * 9/2020 Zhang D14/223
D897,318 S * 9/2020 Blundell D14/223
D897,319 S * 9/2020 Wang D14/223
D897,322 S * 9/2020 Wei D14/223
D897,997 S * 10/2020 Zhang D14/223

D900,064 S * 10/2020 Laffon de Mazieres D14/223
D902,183 S * 11/2020 Knudsen D14/223
D902,184 S * 11/2020 Yang D14/223
D902,588 S * 11/2020 Zhang D3/294
10,827,249 B1 * 11/2020 Pine H04R 1/1041
D903,638 S * 12/2020 Li D14/223
D904,025 S * 12/2020 Ma D3/294
D904,349 S * 12/2020 Saxton D14/223
D906,292 S * 12/2020 Wang D14/223
D908,667 S * 1/2021 He D14/223
D909,995 S * 2/2021 Cai D14/223
D911,027 S * 2/2021 Liang D3/274
D912,016 S * 3/2021 Ando D14/223
D912,647 S * 3/2021 Williamson D14/223
D912,648 S * 3/2021 Williamson D14/223
D913,223 S * 3/2021 Li D3/294
D915,358 S * 4/2021 Ma D14/223
D917,425 S * 4/2021 Wang D14/223
D918,138 S * 5/2021 Ma D3/294
D920,288 S * 5/2021 Vautour D14/223
D920,958 S * 6/2021 Ye D14/223
D922,358 S * 6/2021 Li D14/223
D924,798 S * 7/2021 Ando D3/294
D924,850 S * 7/2021 Takubo D14/223
D925,492 S * 7/2021 Sugiura D14/223
D925,497 S * 7/2021 Laffon de Mazieres D14/223
D927,417 S * 8/2021 Sretovic D3/294
D929,970 S * 9/2021 Lin D14/223
D936,040 S * 11/2021 Zhao D14/223
D941,275 S * 1/2022 Liu D14/223
11,240,587 B1 * 2/2022 DeMaio H04R 1/1016
D949,786 S * 4/2022 Hachiri D3/294
2009/0145090 A1 * 6/2009 Vassigh B65D 75/22
220/795
2019/0069066 A1 * 2/2019 Song E05C 19/16
2020/0107098 A1 * 4/2020 DiFonzo H01F 1/147
2021/0152921 A1 * 5/2021 Silva H04R 1/1058
2022/0029456 A1 * 1/2022 Leung H04R 1/1016
2022/0109922 A1 * 4/2022 Takubo H04R 1/345

FOREIGN PATENT DOCUMENTS

GB 6188747 * 1/2022
GB 6197685 * 3/2022
GB 6198150 * 3/2022
JP D1694076 * 8/2021
KR 300904820.0000 * 4/2017
TW 215431-0001 * 8/2020

* cited by examiner

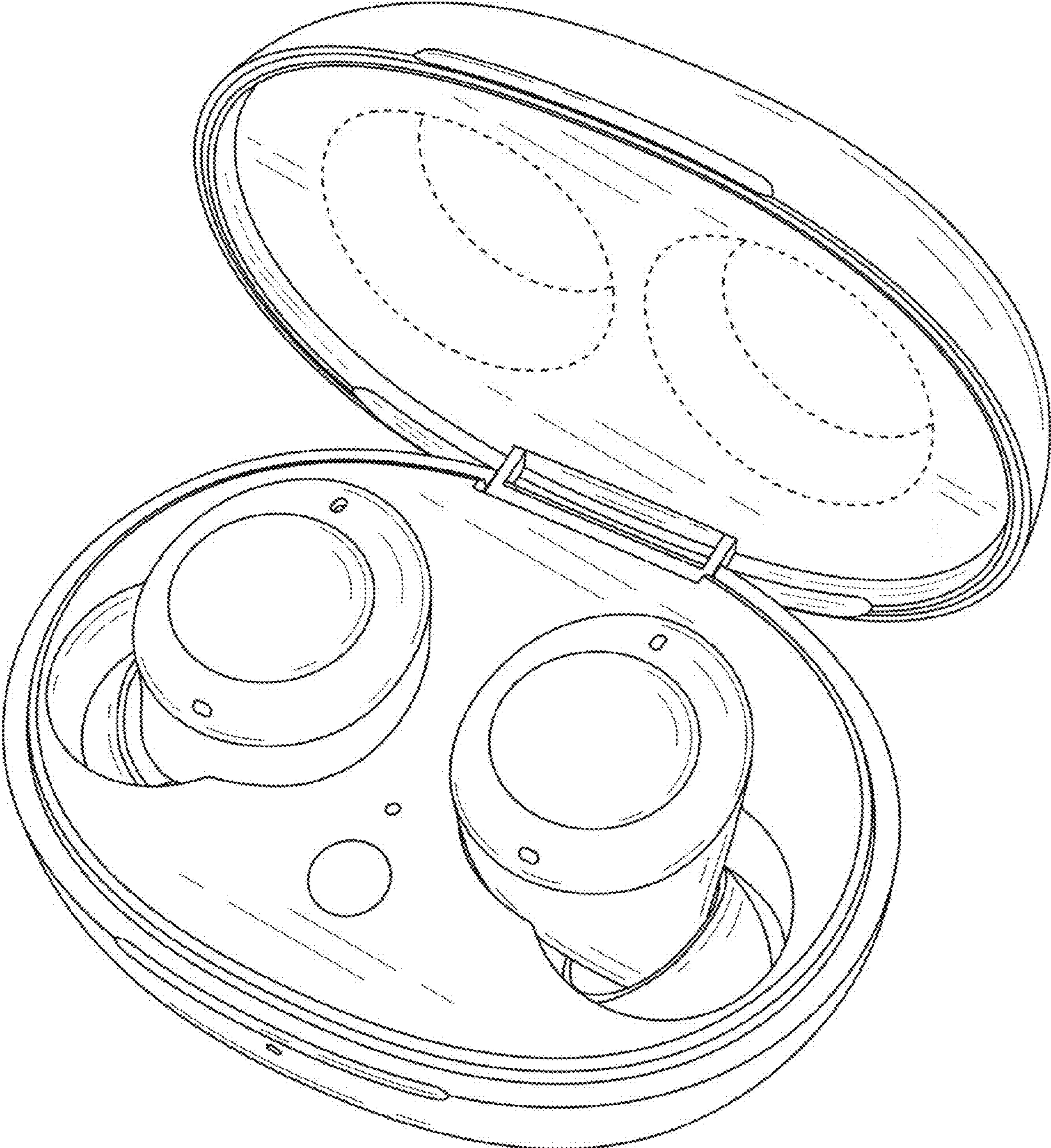


FIG. 1

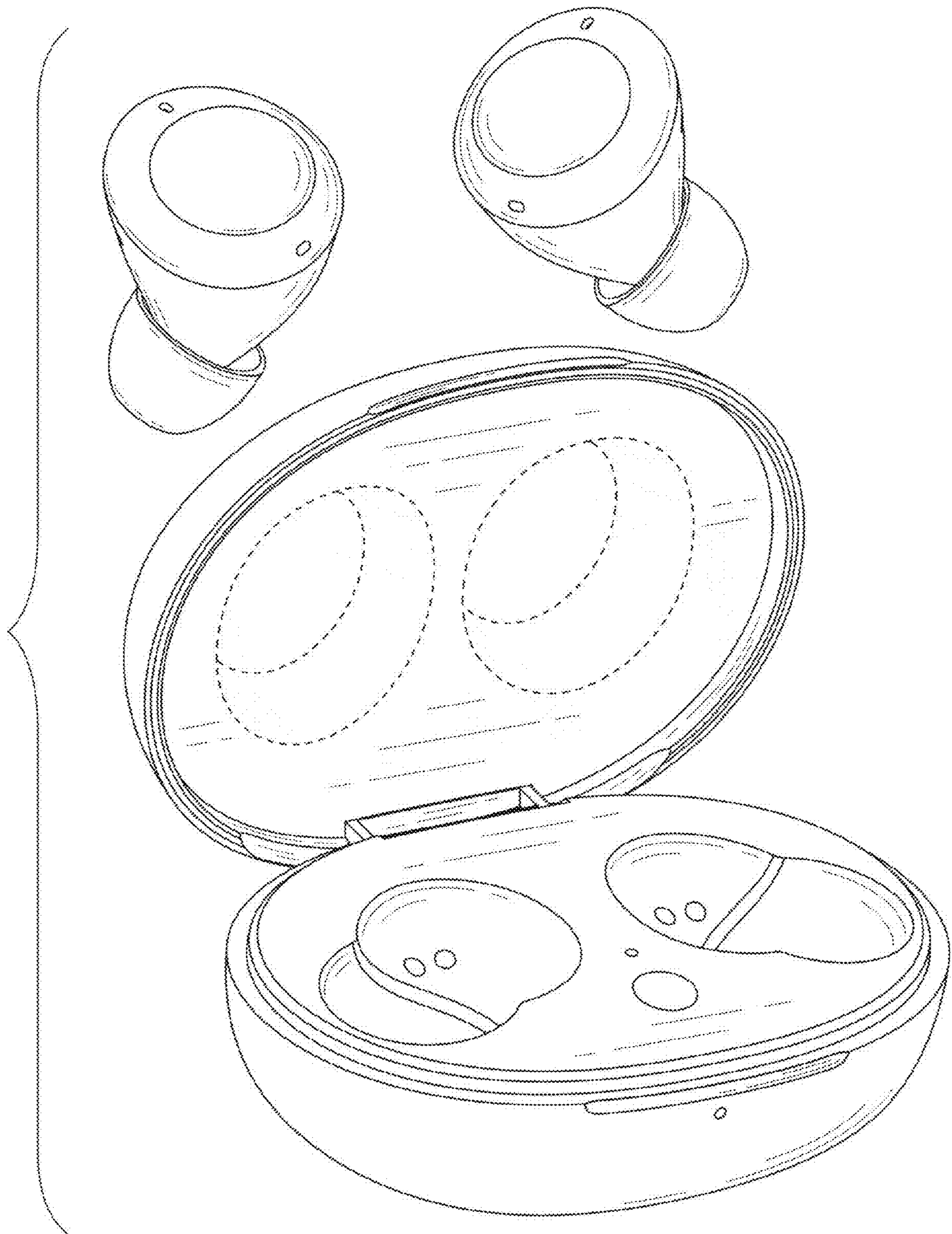


FIG. 2

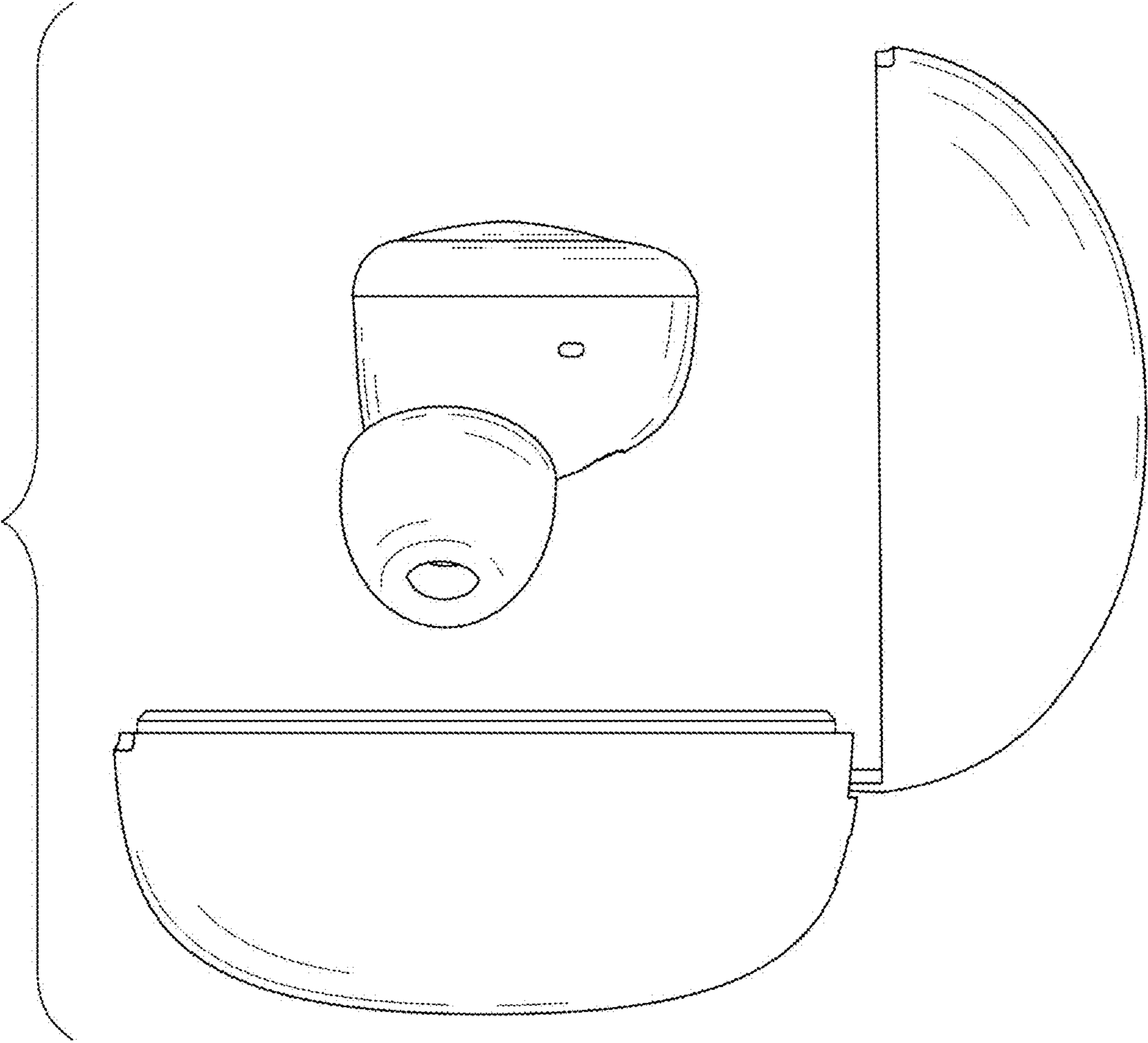


FIG. 3

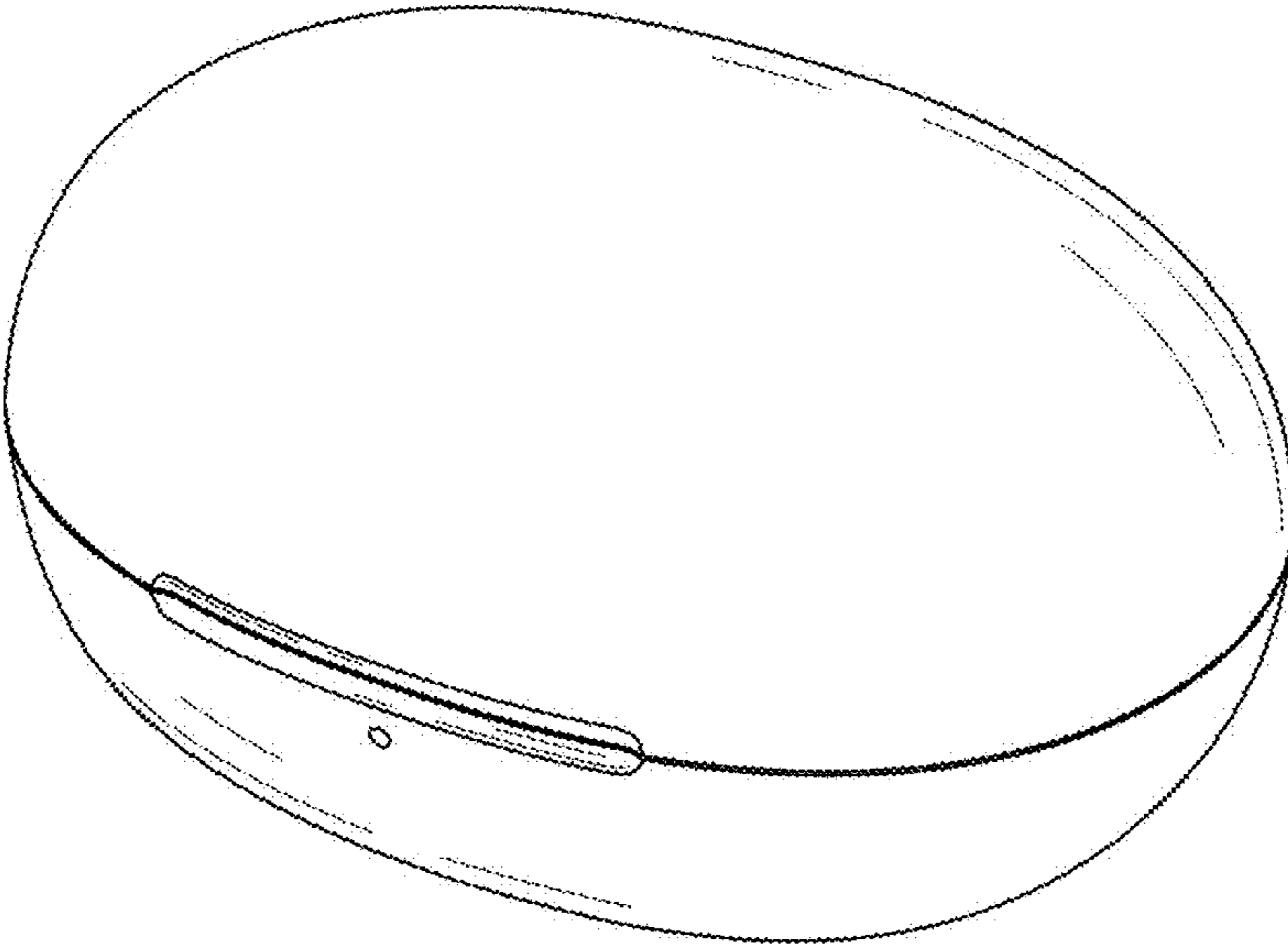


FIG. 4

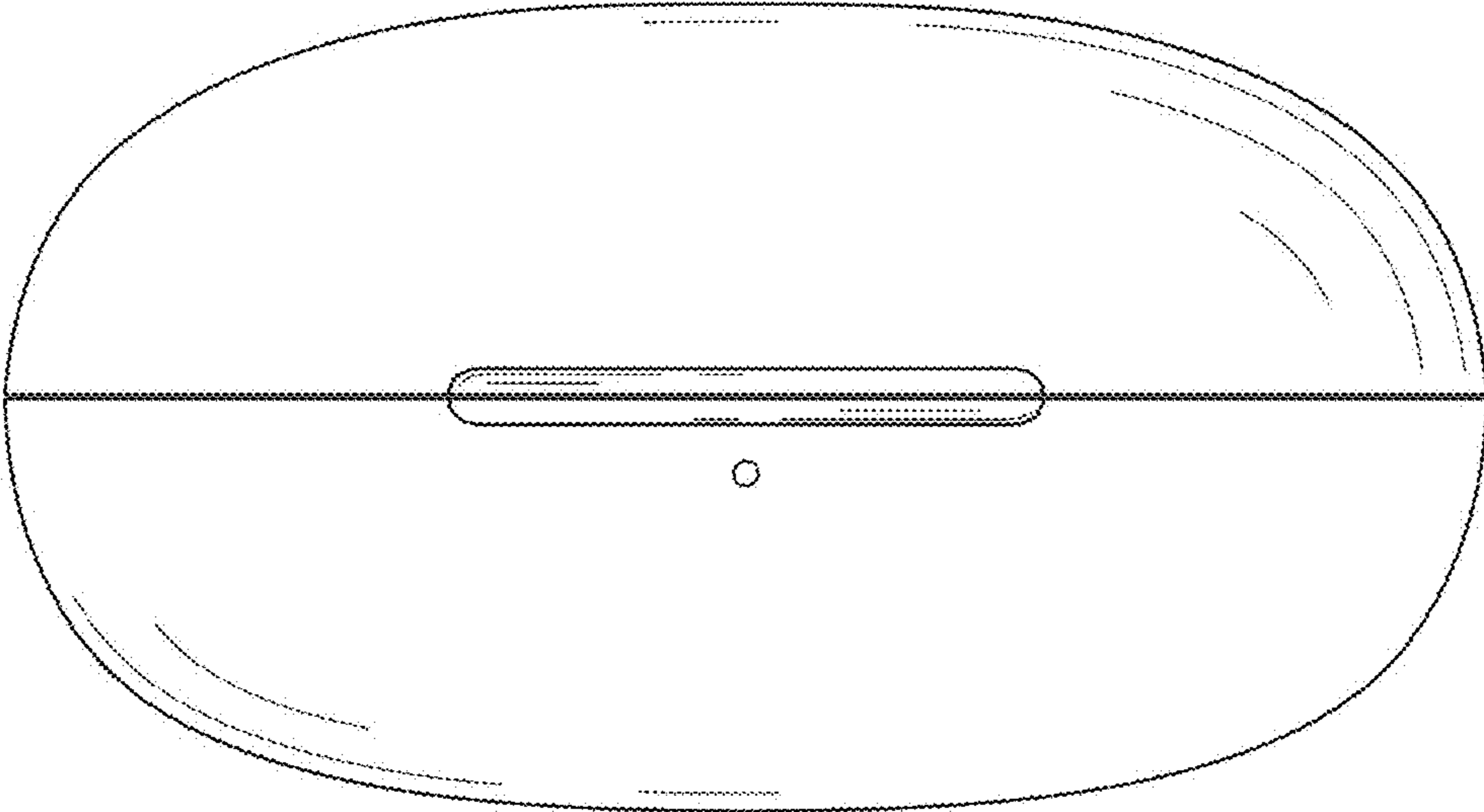


FIG. 5

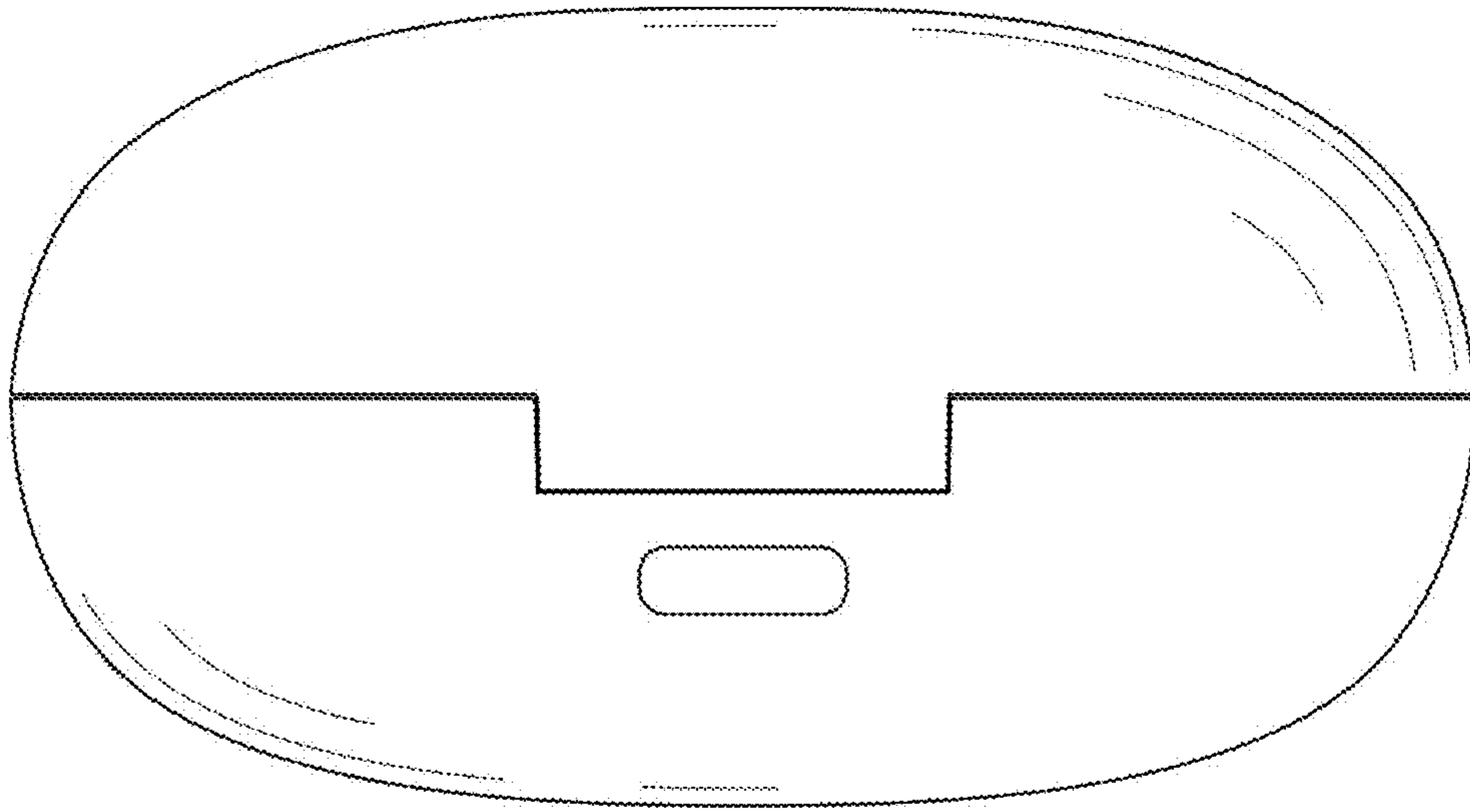


FIG. 6

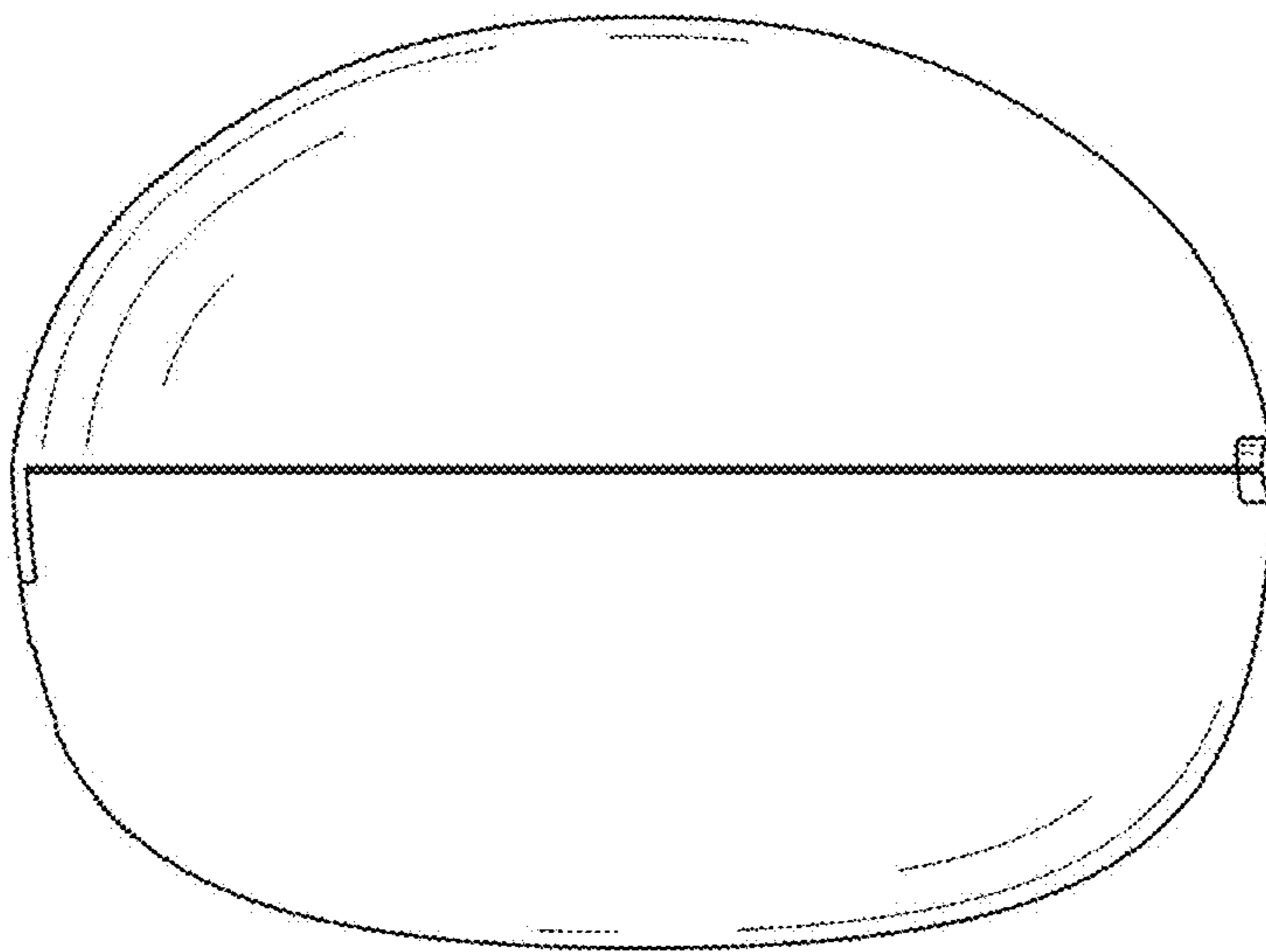


FIG. 7

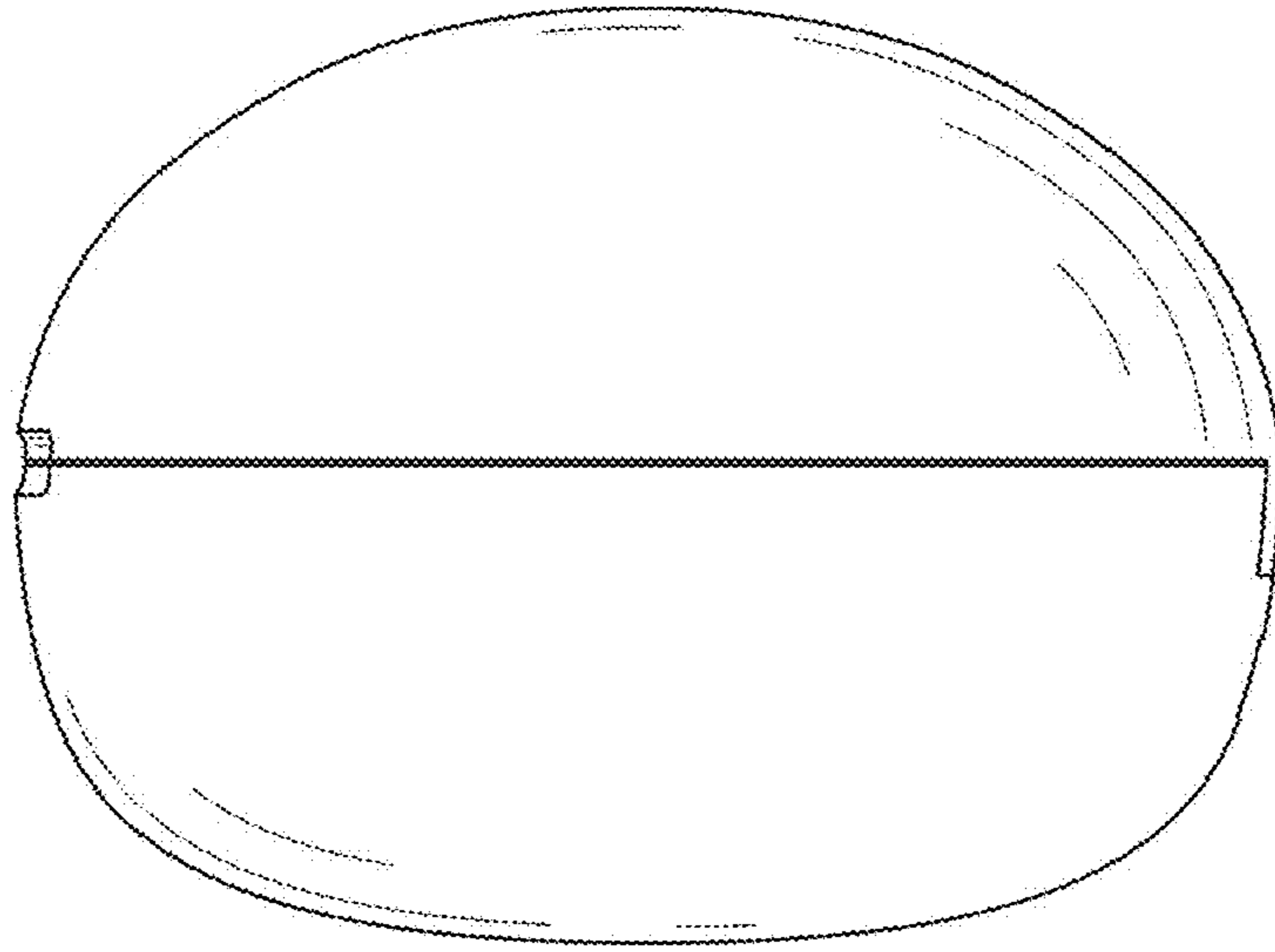


FIG. 8

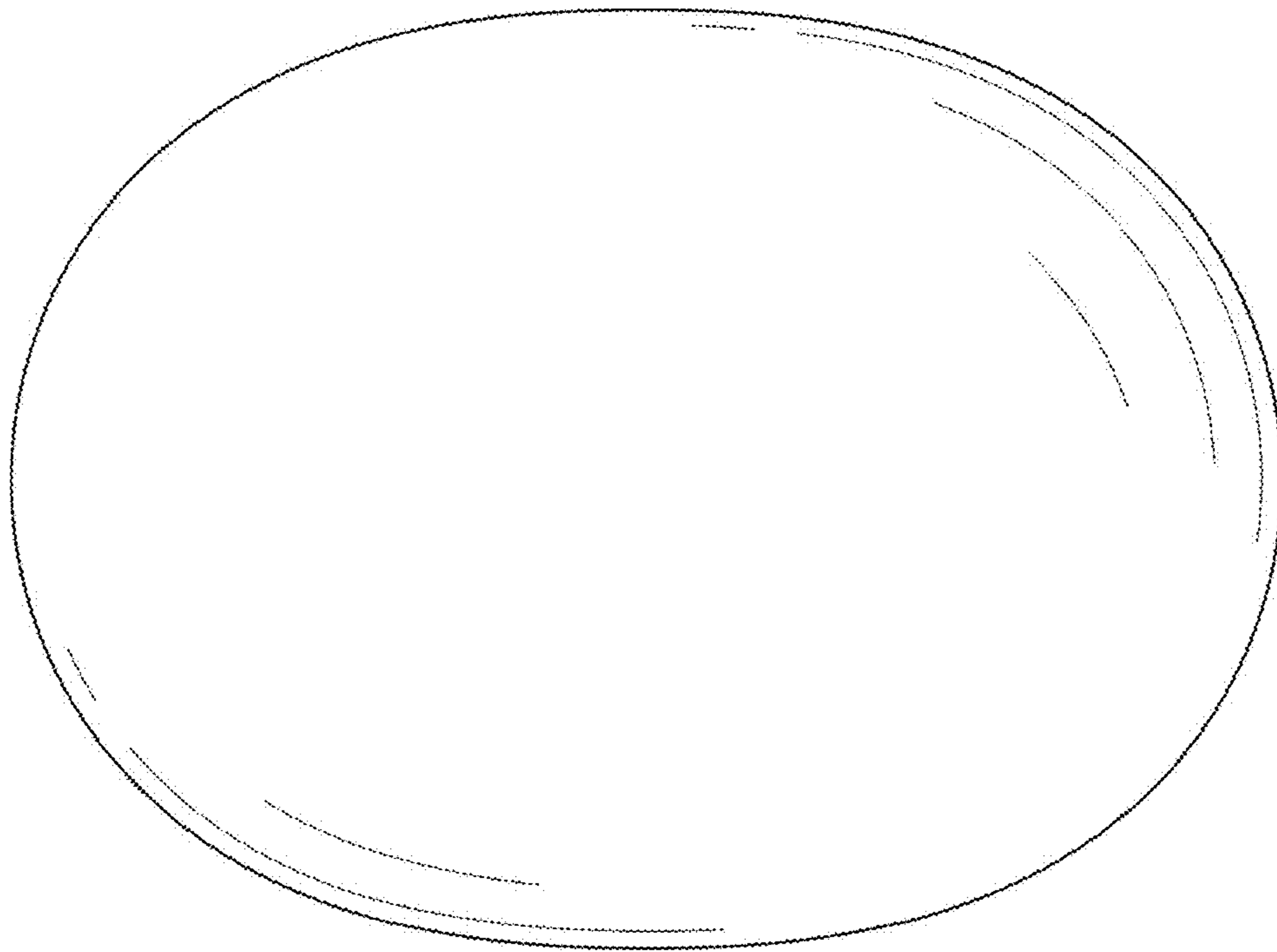


FIG. 9

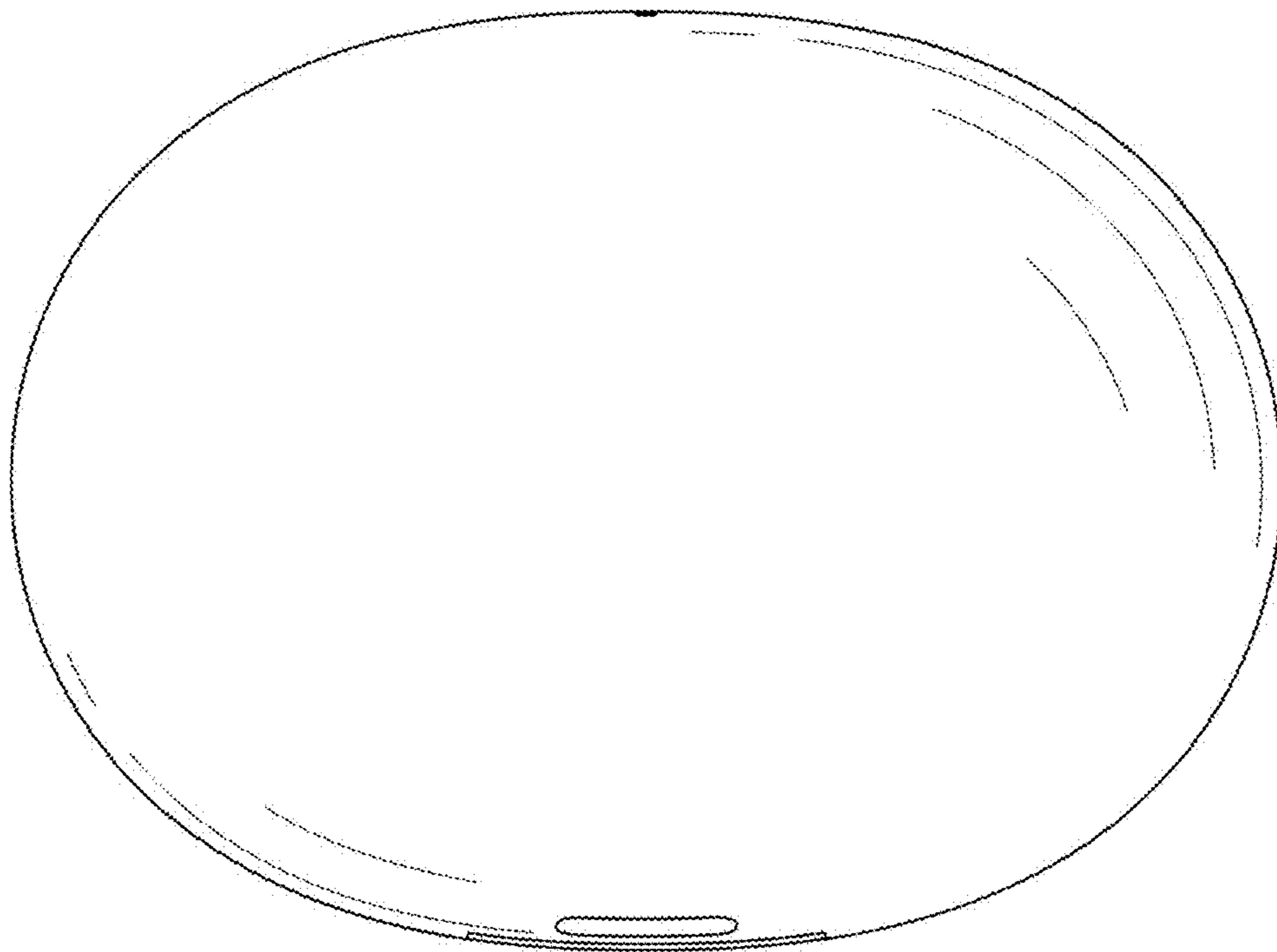


FIG. 10

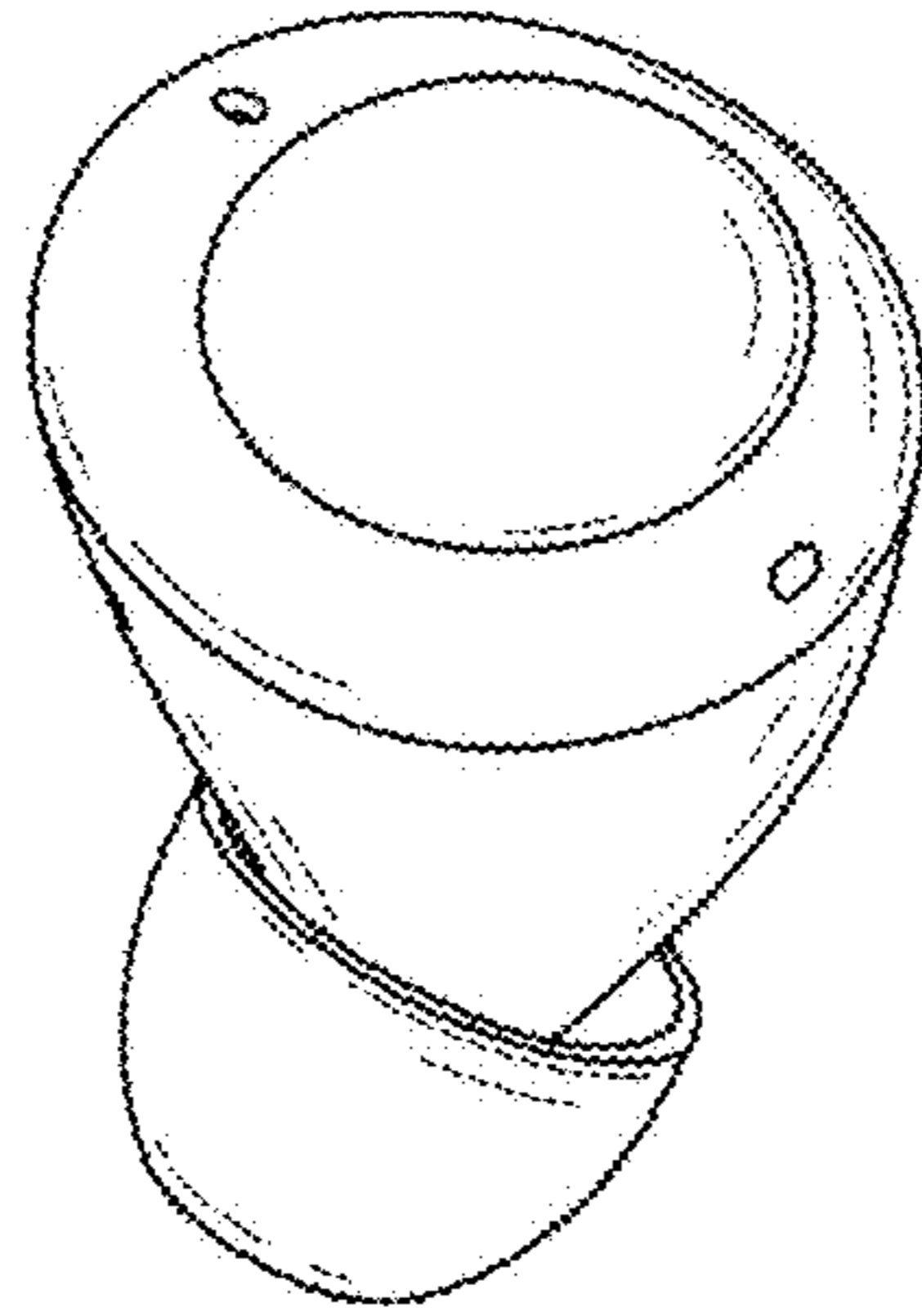


FIG. 11

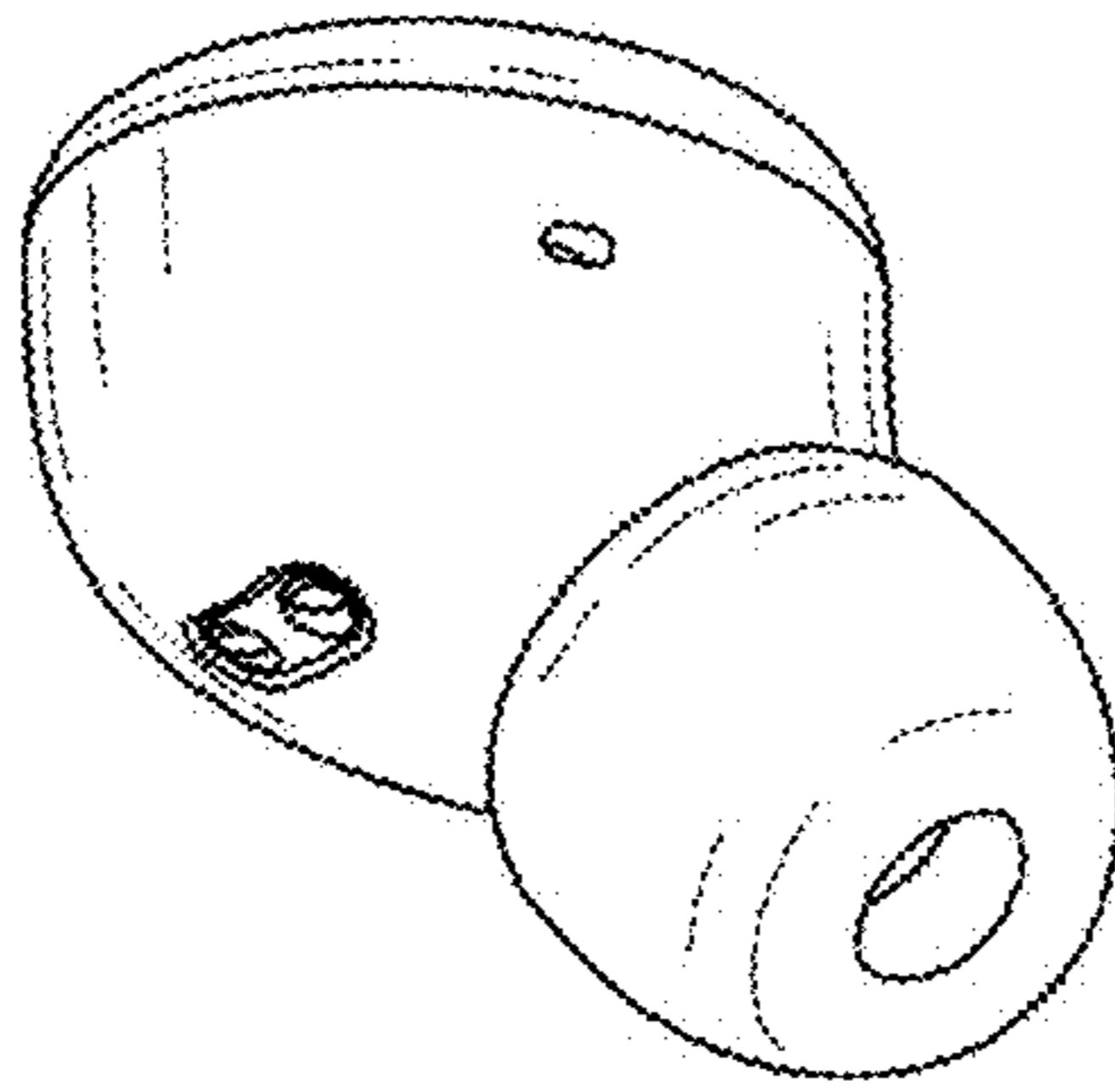


FIG. 12

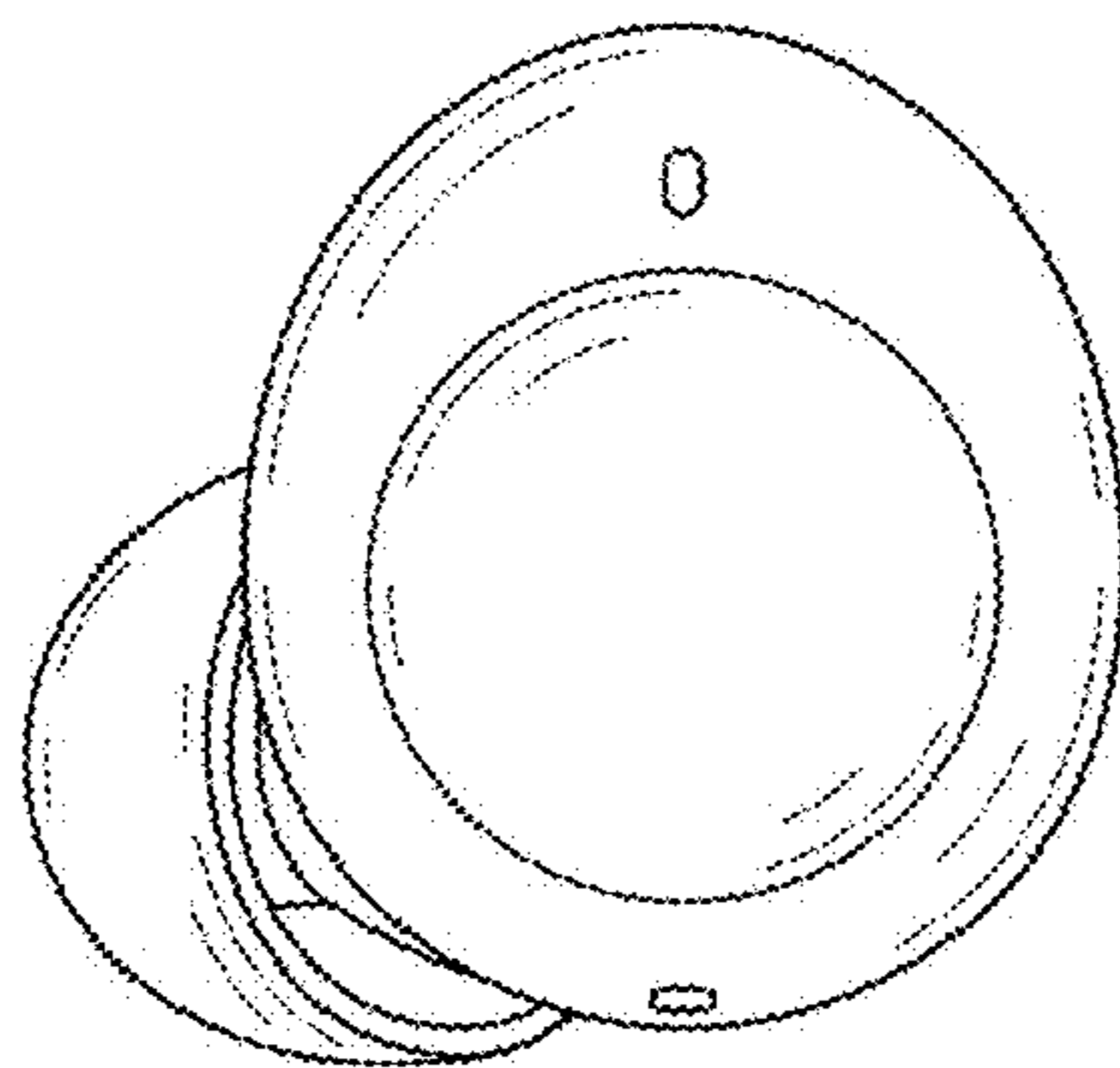


FIG. 13

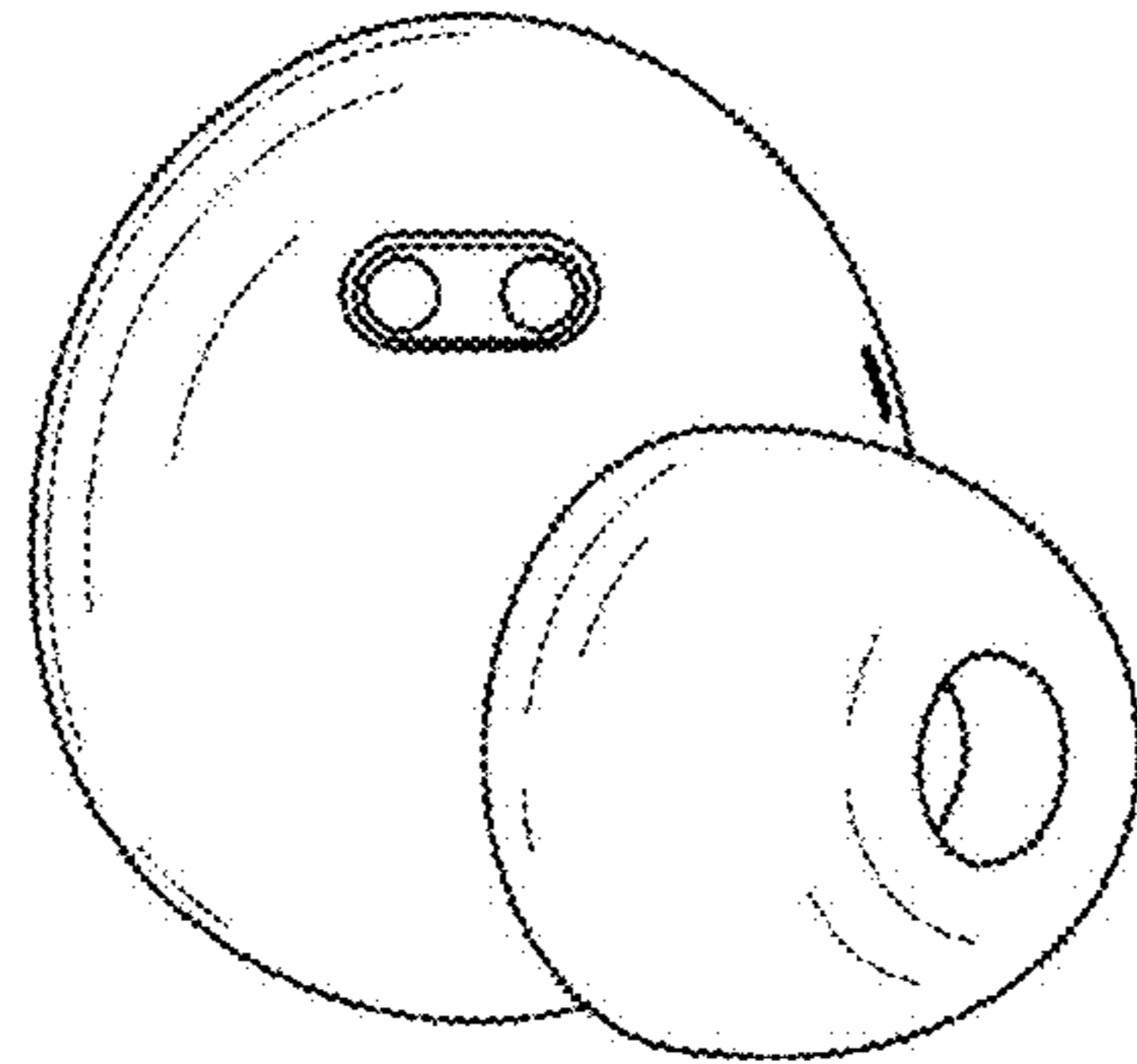


FIG. 14

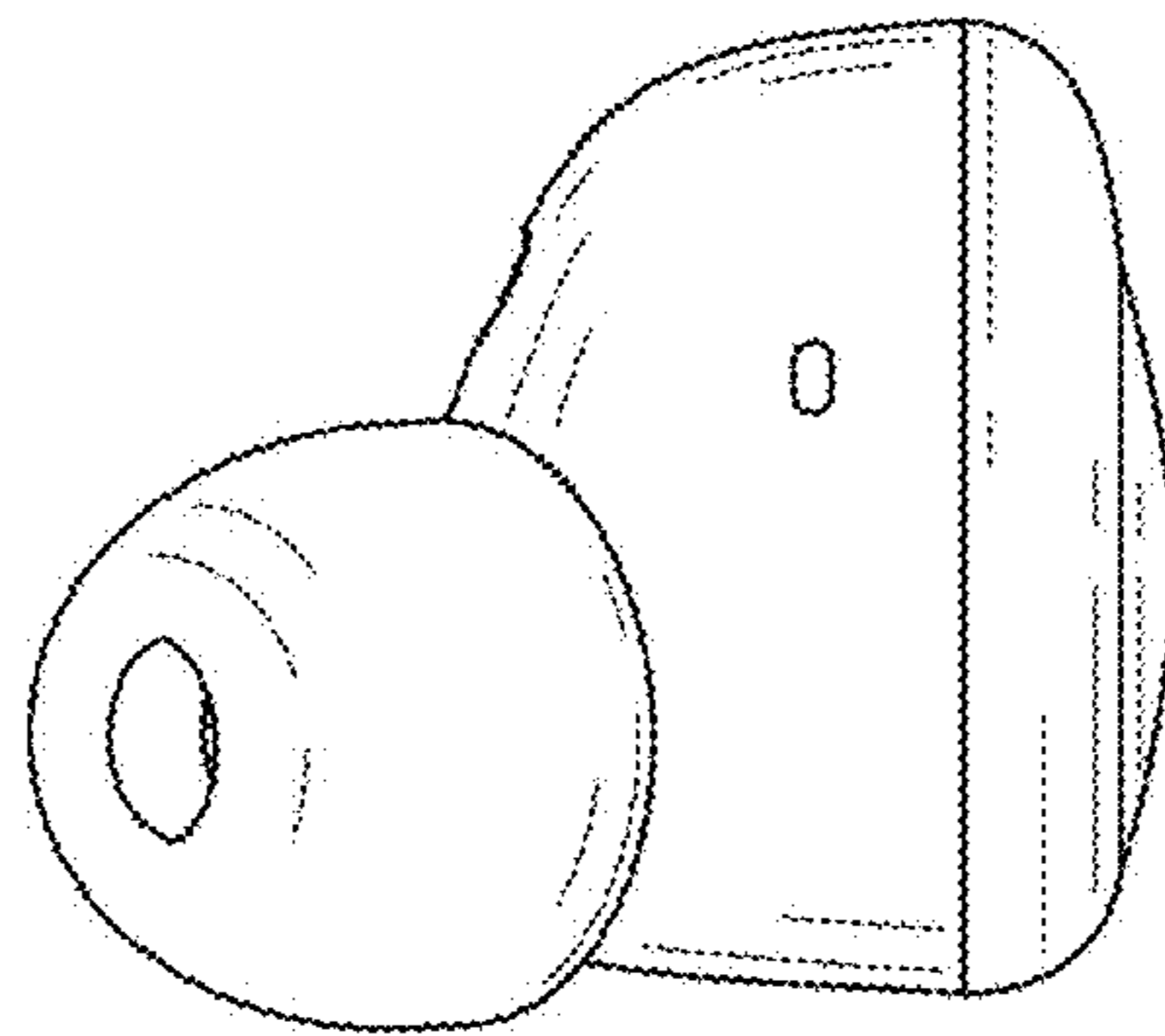


FIG. 15

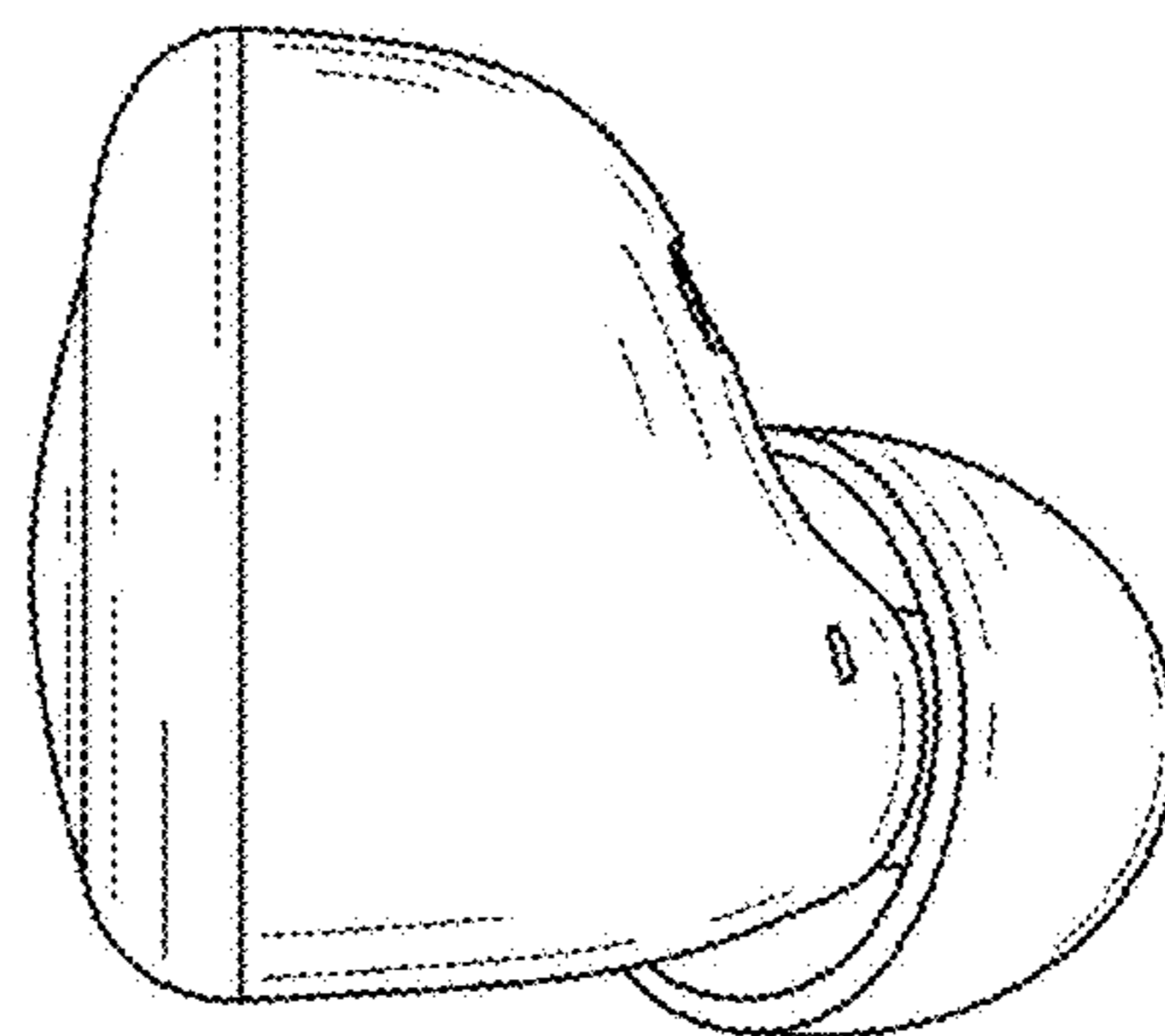


FIG. 16

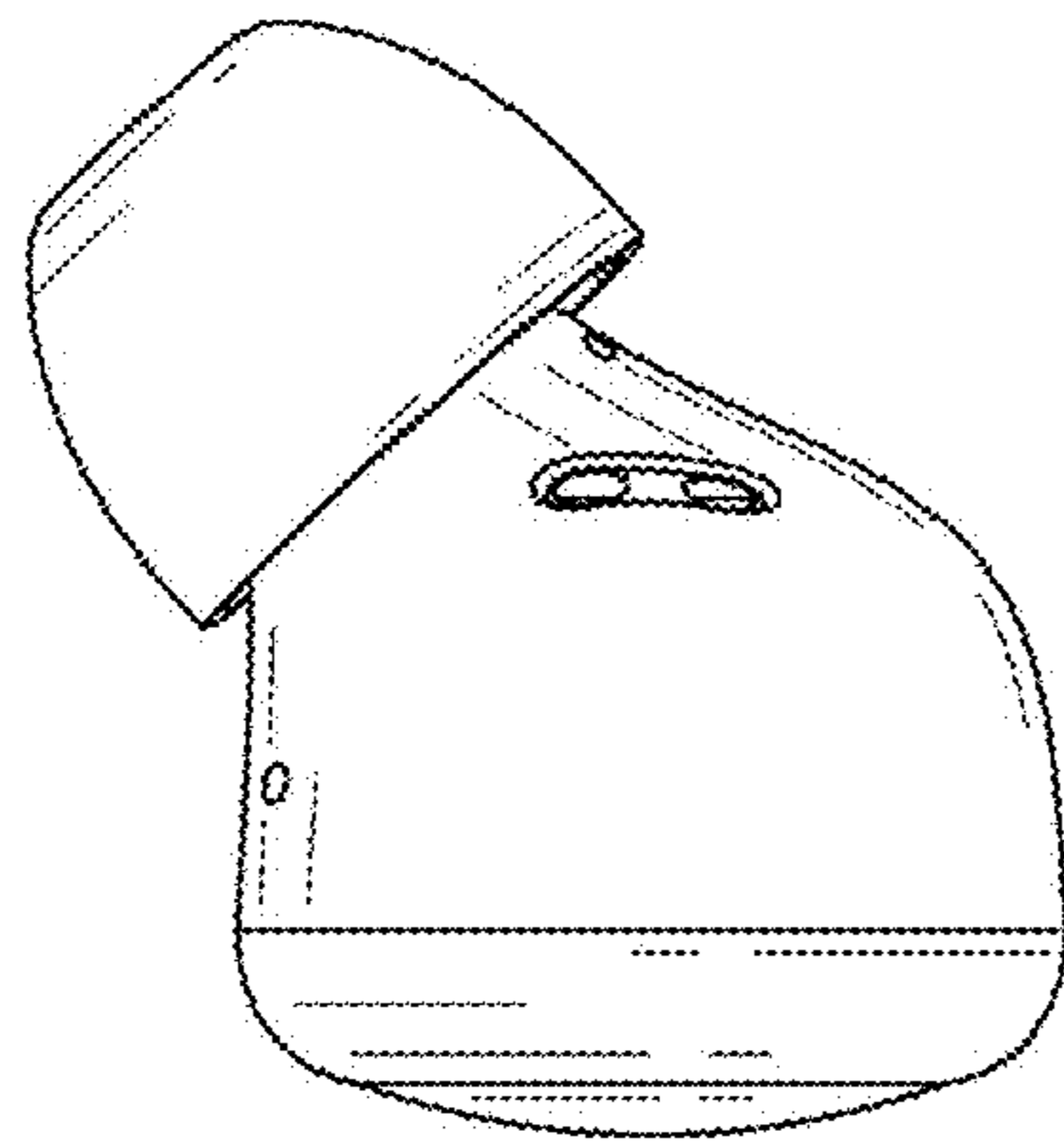


FIG. 17

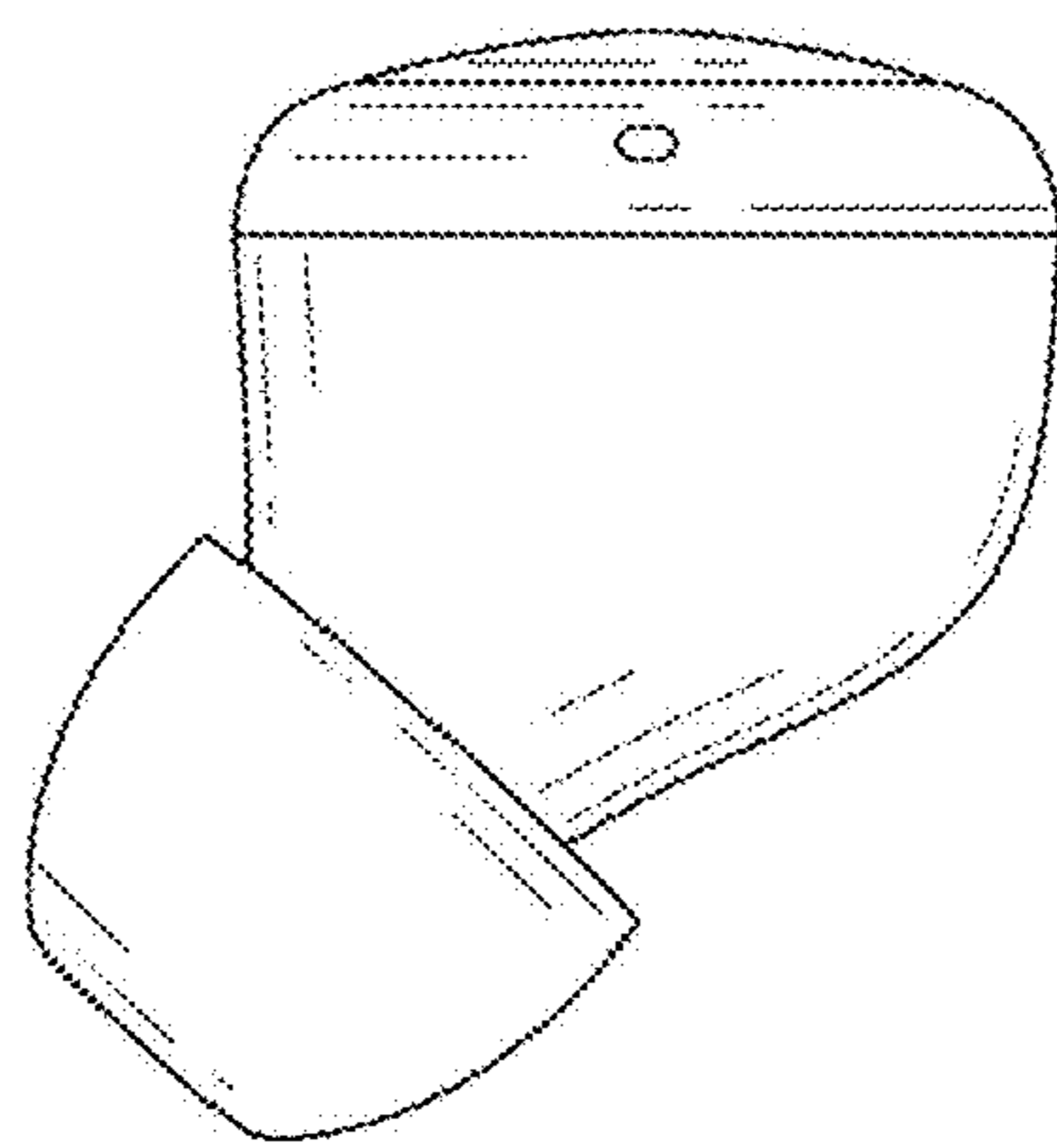


FIG. 18

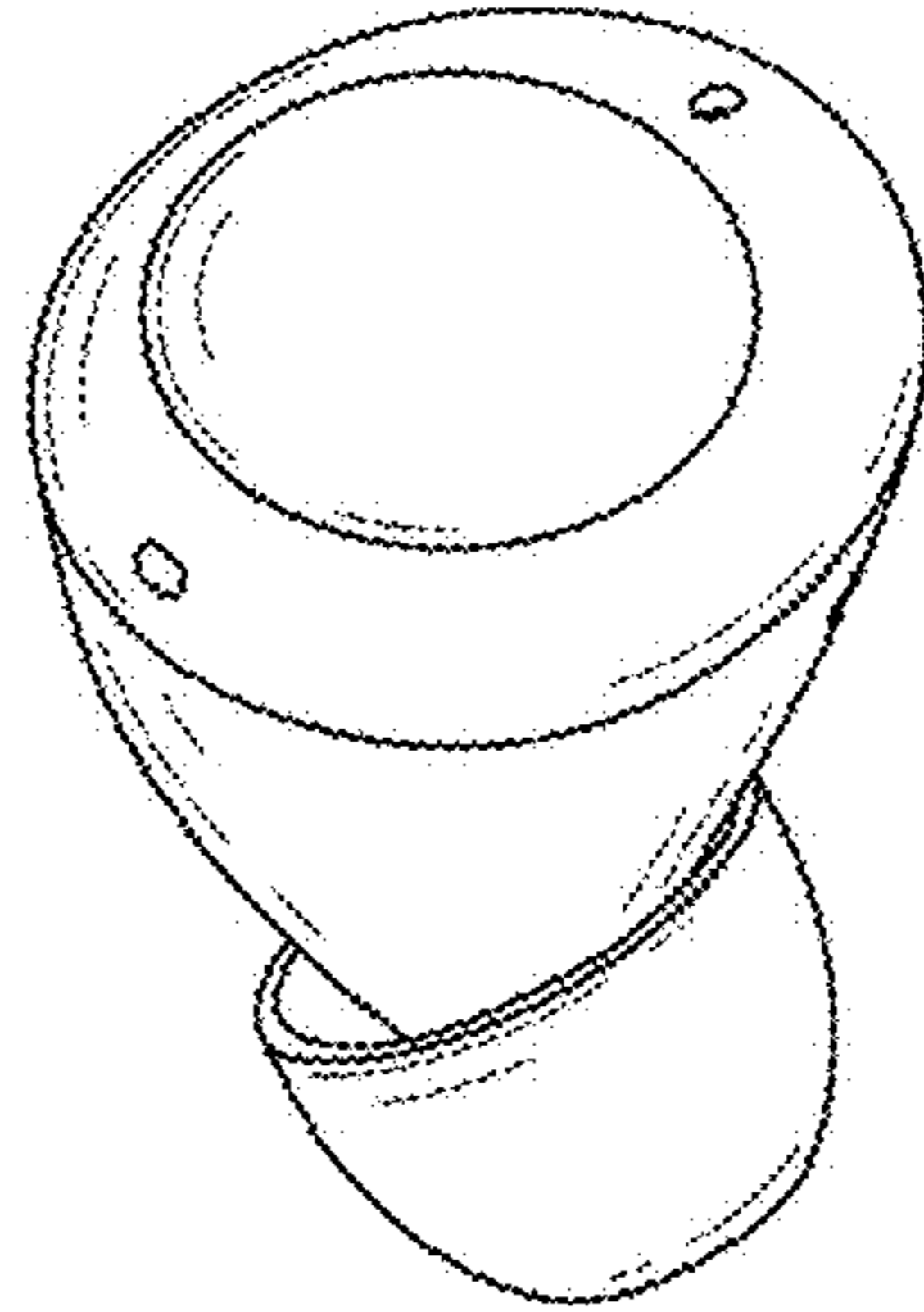


FIG. 19

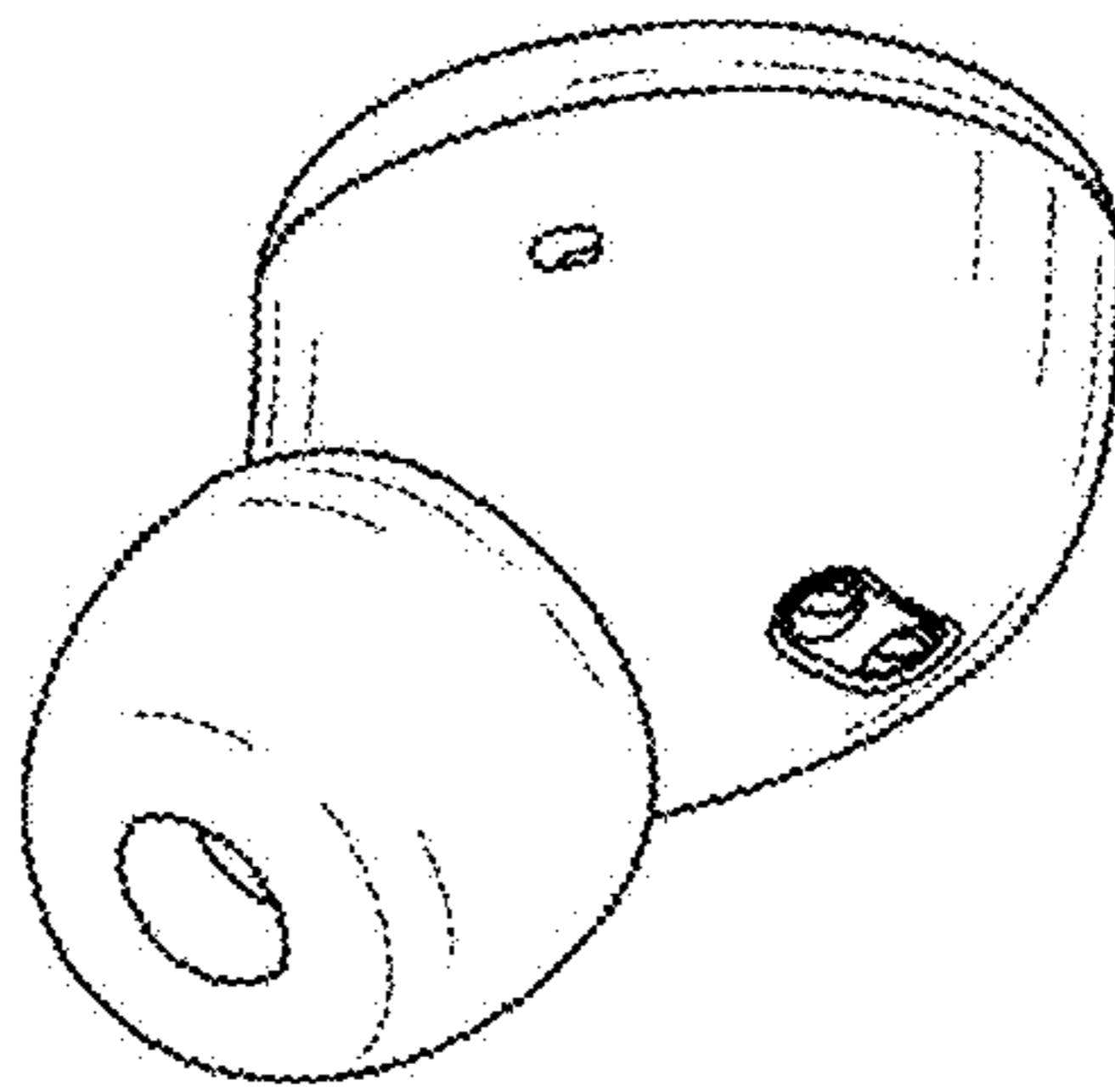


FIG. 20

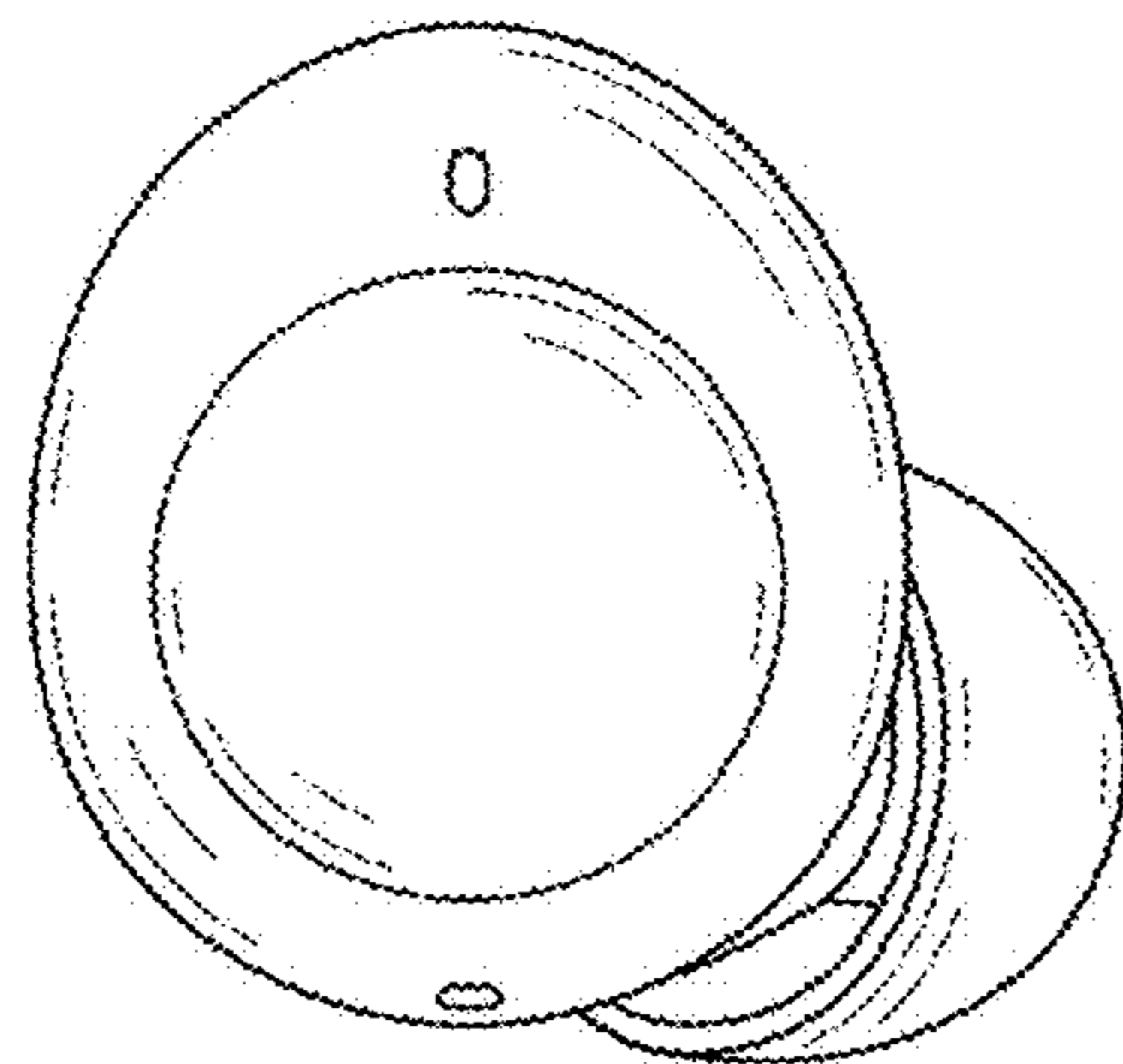


FIG. 21

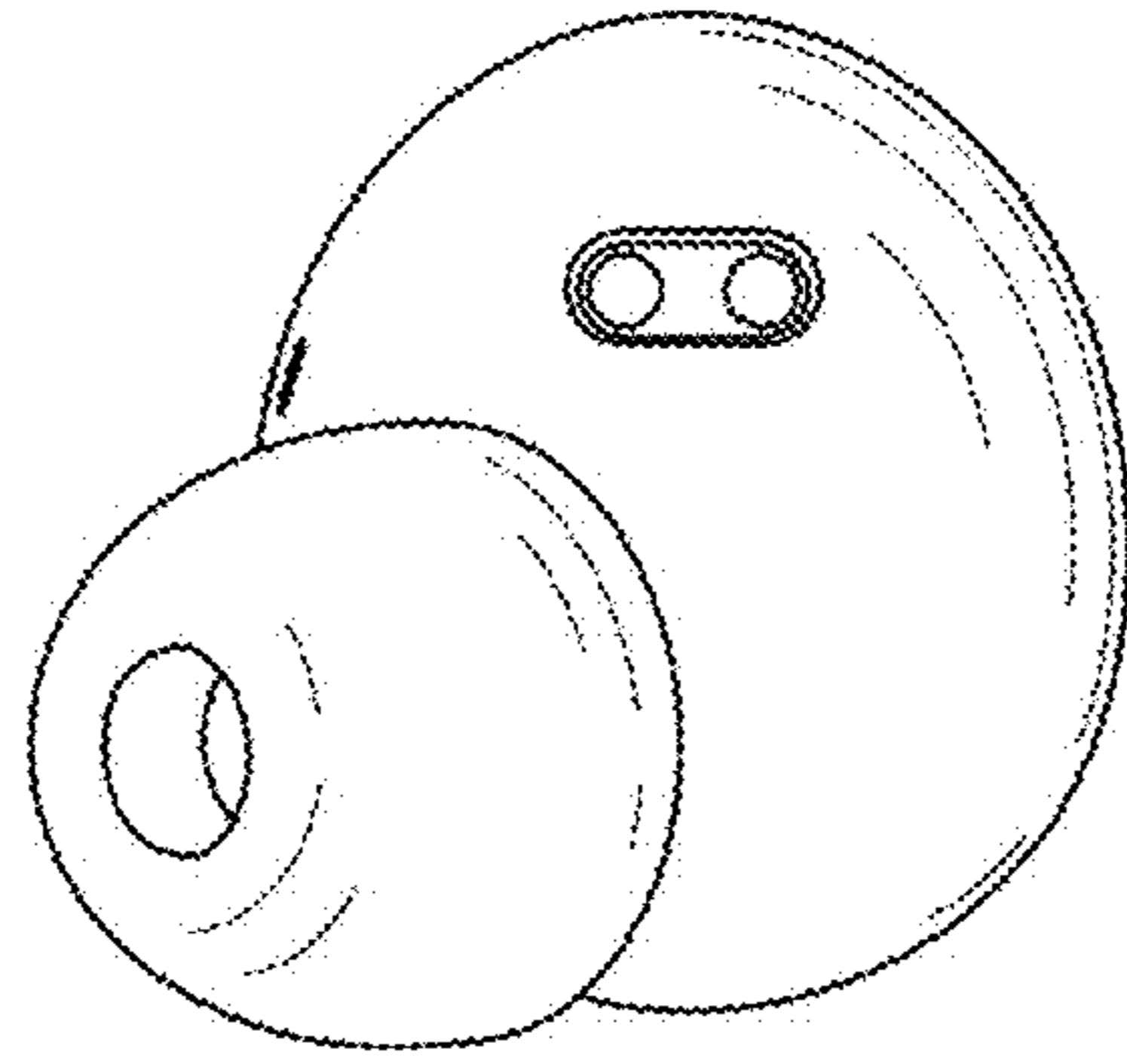


FIG. 22

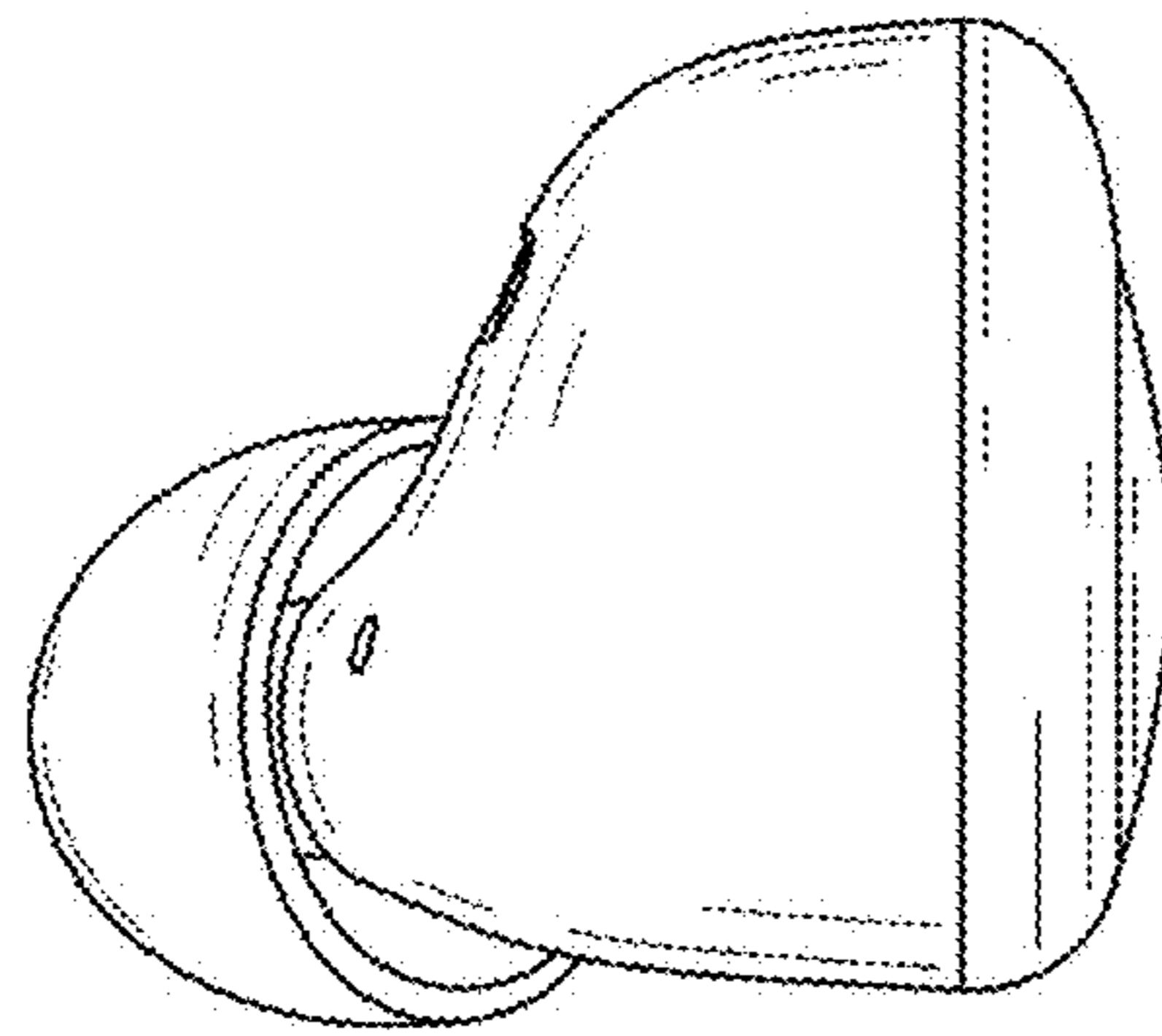


FIG. 23

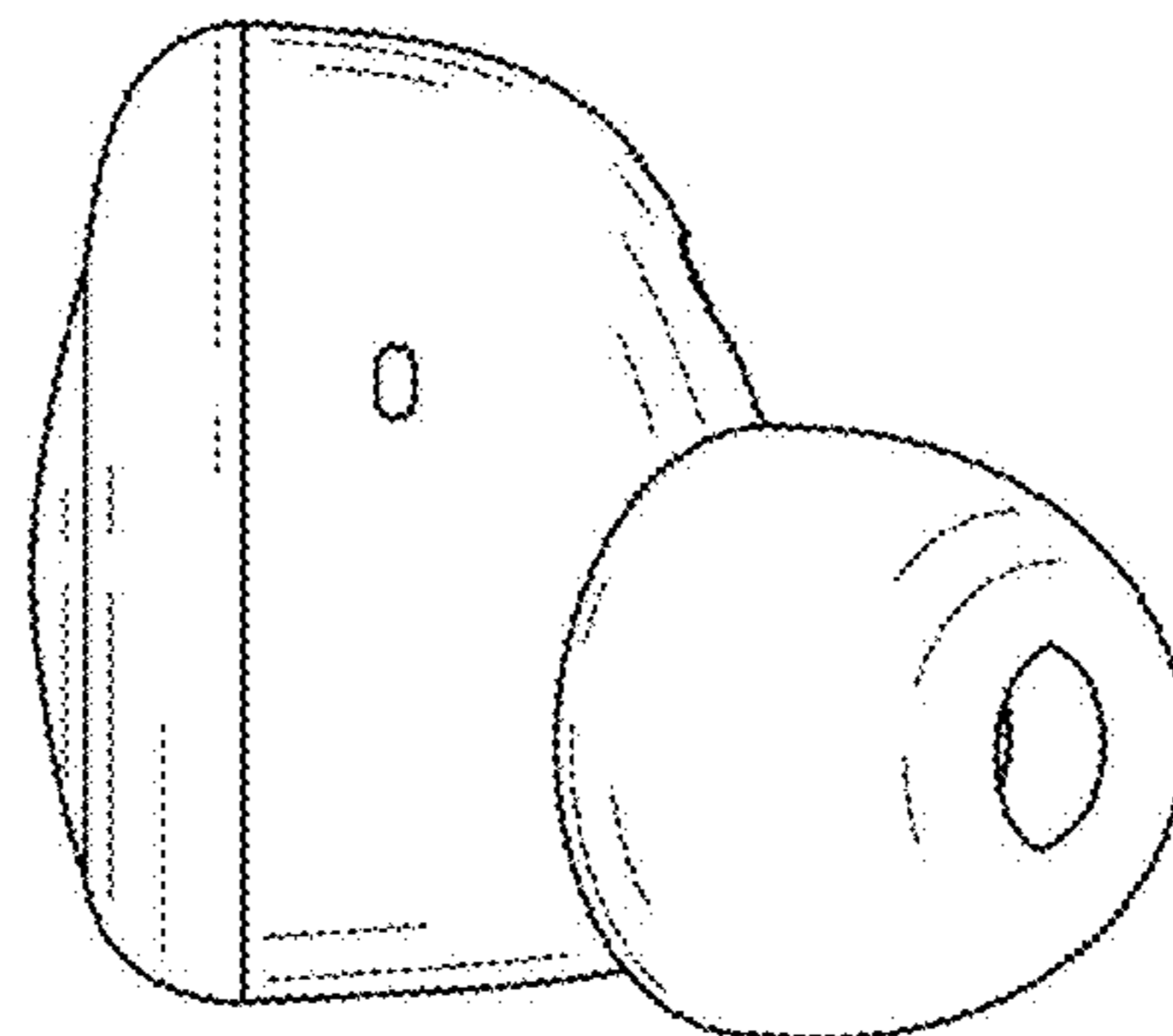


FIG. 24

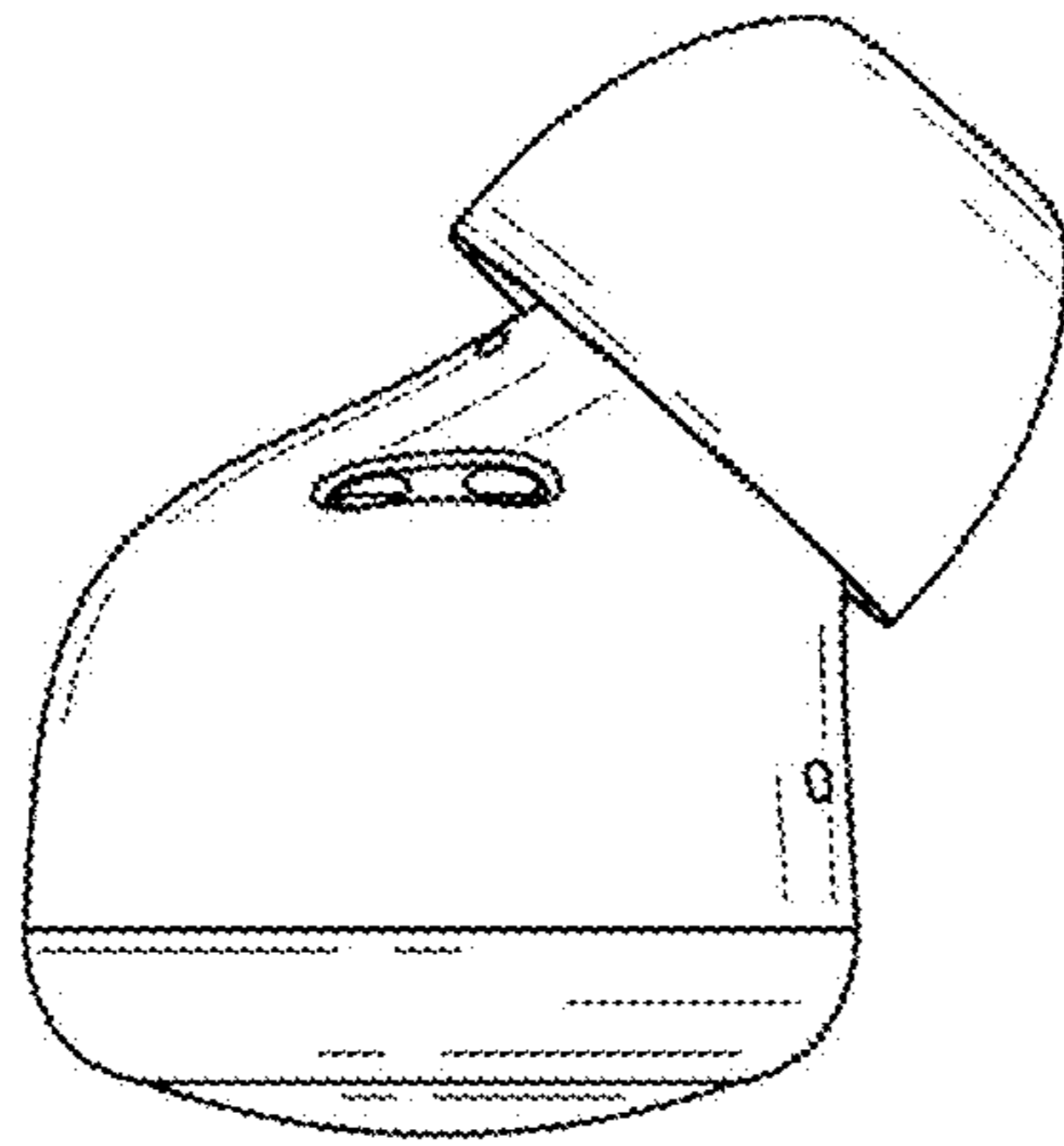


FIG. 25

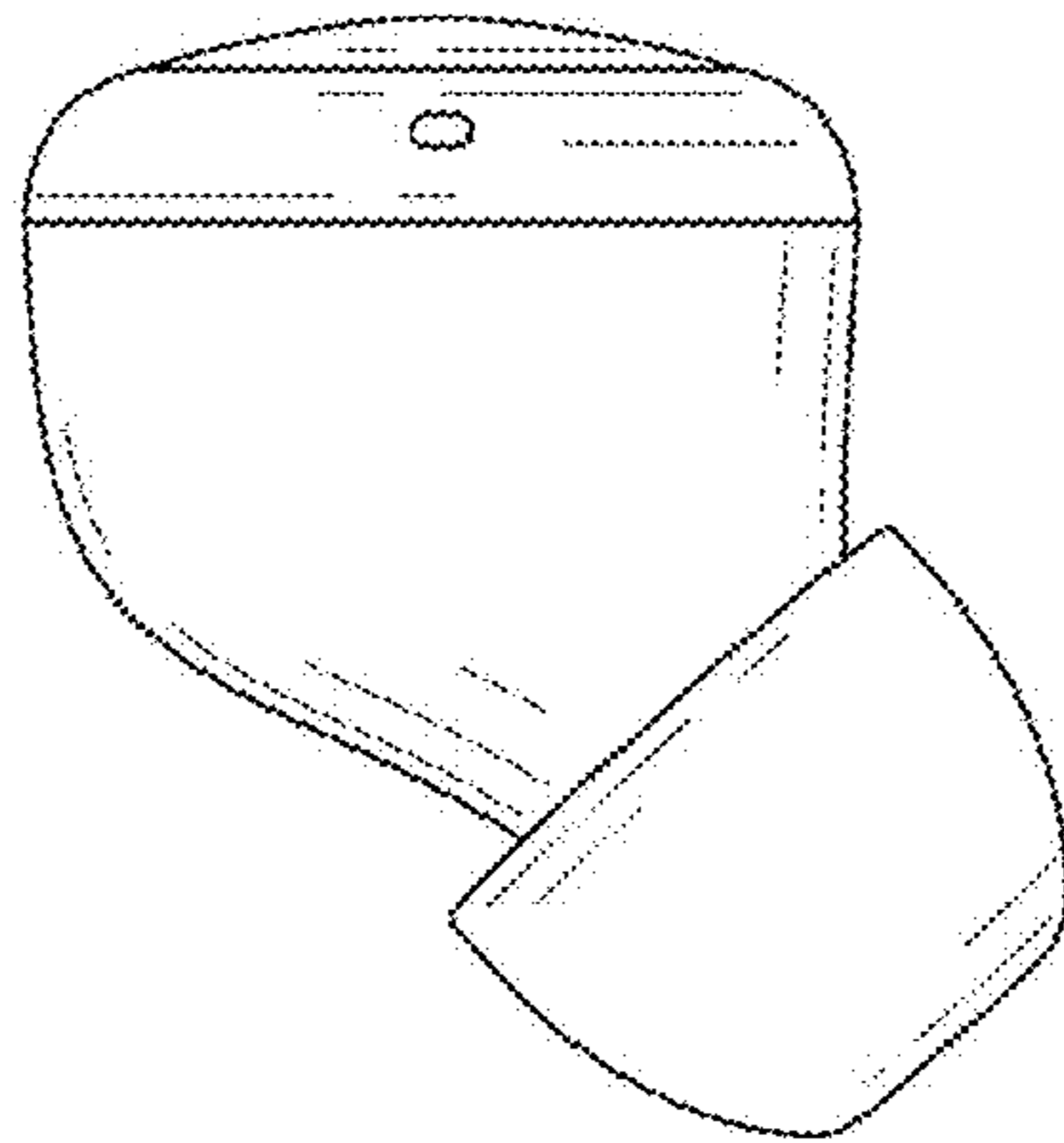


FIG. 26