

US00D964322S

(12) **United States Design Patent**
Miyata

(10) **Patent No.:** **US D964,322 S**

(45) **Date of Patent:** **** Sep. 20, 2022**

(54) **EARPHONE**

FOREIGN PATENT DOCUMENTS

(71) Applicant: **Panasonic Intellectual Property Management Co., Ltd.**, Osaka (JP)

CN 305376462 * 10/2019
CN 306670660 * 7/2021

(Continued)

(72) Inventor: **Kenji Miyata**, Kyoto (JP)

OTHER PUBLICATIONS

(73) Assignee: **PANASONIC INTELLECTUAL PROPERTY MANAGEMENT CO., LTD.**, Osaka (JP)

ILuv TB200, first available Nov. 1, 2020 [online], [retrieved Apr. 6, 2022]. Available from the Internet, URL:<https://www.amazon.com/dp/B08JN9YBYW/ref=cm_sw_em_r_mt_dp_TQD944ZMM1587WK5H6CJ?_encoding=UTF8&psc=1>. (Year: 2020).*

(**) Term: **15 Years**

(Continued)

(21) Appl. No.: **29/763,310**

(22) Filed: **Dec. 22, 2020**

Primary Examiner — Shawn T Gingrich

(51) **LOC (13) Cl.** **14-01**

Assistant Examiner — Russell Carnell Smith, Jr.

(52) **U.S. Cl.**
USPC **D14/223**

(74) *Attorney, Agent, or Firm* — Crowell & Moring LLP

(58) **Field of Classification Search**
USPC D14/205, 207, 217, 221, 225; D24/106, D24/173, 174; D29/112
CPC H04R 1/10; H04R 1/1016; H04R 1/1066; H04R 1/105; H04R 1/1033; H04R 1/08; H04R 5/033; H04R 5/0335; H04R 25/00
See application file for complete search history.

(57) **CLAIM**

I claim the ornamental design for an earphone, as shown and described.

(56) **References Cited**

DESCRIPTION

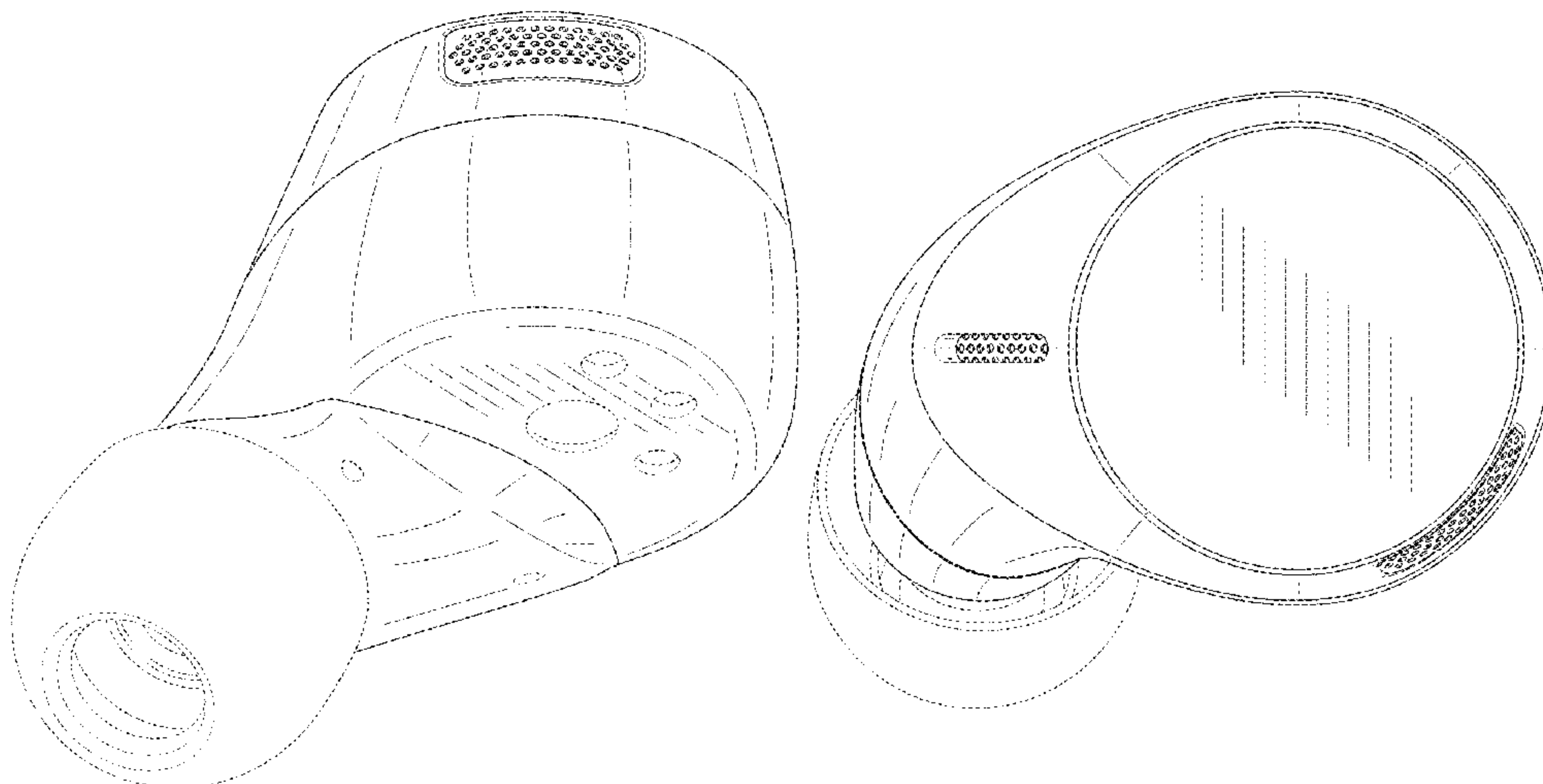
U.S. PATENT DOCUMENTS

D806,879 S *	1/2018	Horbinski	D24/174
D822,646 S	7/2018	Dang et al.		
D841,626 S	2/2019	Tang		
D843,353 S	3/2019	Zhang		
D845,932 S *	4/2019	Lu	D14/223
D864,167 S *	10/2019	Wu	D14/223
D868,752 S	12/2019	Zhu		
D895,580 S *	9/2020	Yu	D14/223
D897,322 S	9/2020	Wei		
10,827,249 B1 *	11/2020	Pine	H04R 1/1041
D908,667 S *	1/2021	He	D14/223
D918,181 S *	5/2021	Bailey	D14/223
D922,358 S *	6/2021	Li	D14/223
D938,941 S *	12/2021	Iwahori	D14/223
D945,404 S *	3/2022	Birger	D14/223

(Continued)

FIG. 1 is a front perspective view of an earphone, showing my new design;
FIG. 2 is a rear perspective view thereof;
FIG. 3 is a front view thereof;
FIG. 4 is a rear view thereof;
FIG. 5 is a left view thereof;
FIG. 6 is a right view thereof;
FIG. 7 is a top view thereof; and,
FIG. 8 is a bottom view thereof.
The ornamental design which is claimed is shown in solid lines in the drawings. The broken lines in the drawings form no part of the claimed design. Broken lines formed by equal length dashes show unclaimed subject matter.

1 Claim, 8 Drawing Sheets



(56)

References Cited

U.S. PATENT DOCUMENTS

D949,130 S * 4/2022 Loermann D14/223
D951,916 S * 5/2022 Yang D14/223
D954,683 S * 6/2022 Huang D14/223

FOREIGN PATENT DOCUMENTS

CN 306695278 * 7/2021
CN 306712912 * 7/2021
JP D1591844 S 11/2017
JP D1648568 S 12/2019
JP D1655708 S 3/2020
JP D1657858 S 4/2020

OTHER PUBLICATIONS

UGREEN HiTune, first available Jun. 29, 2020 [online], [retrieved Apr. 6, 2022]. Available from the Internet, URL:<https://www.amazon.com/dp/B0851C5KLV/ref=cm_sw_em_r_mt_dp_dl_ZN8CD5A4C12FGXQKTBQ3?_encoding=UTF8&psc=1>. (Year: 2020).*

Aruind Bluetooth, first available Jan. 12, 2022 [online], [retrieved Apr. 6, 2022]. Available from the Internet, URL:<https://www.amazon.com/dp/B09Q935HW1/ref=cm_sw_em_r_mt_dp_SZTKAMB18KQKEJ3C4R8P?_encoding=UTF8&psc=1>. (Year: 2022).*

Technics, first available Sep. 28, 2021 [online], [retrieved Jul. 12, 2022]. Available from the Internet, URL:<<https://www.engadget.com/technics-eah-az60-and-eah-az40-true-wireless-earbuds-140003867.html>>. (Year: 2021).*

Technics True Wireless, first available Sep. 28, 2021 [online], [retrieved Jul. 12, 2022]. Available from the Internet, URL:<<https://a.co/d/0tLIFdk>>. (Year: 2021).*

* cited by examiner

FIG.1

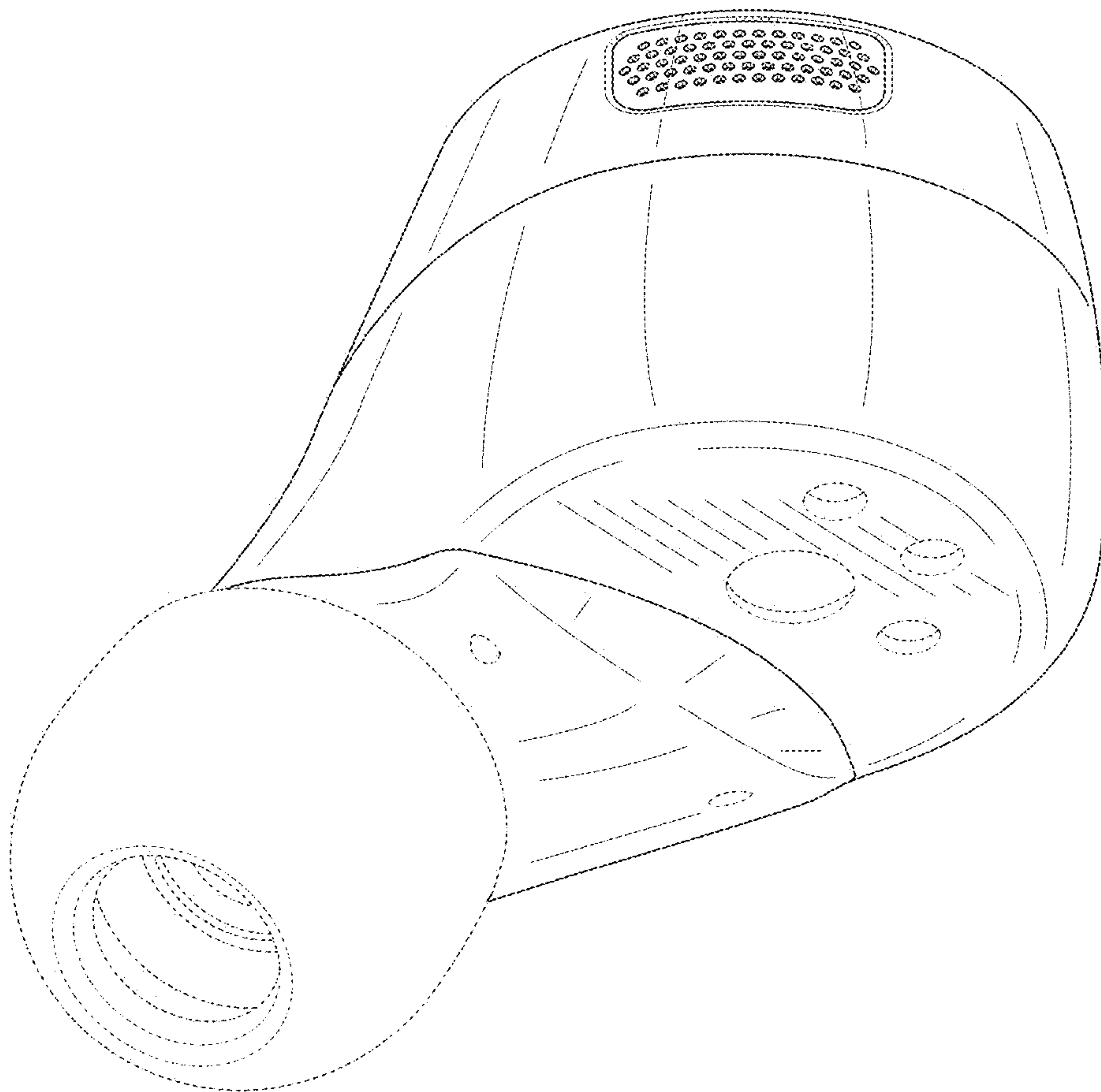


FIG.2

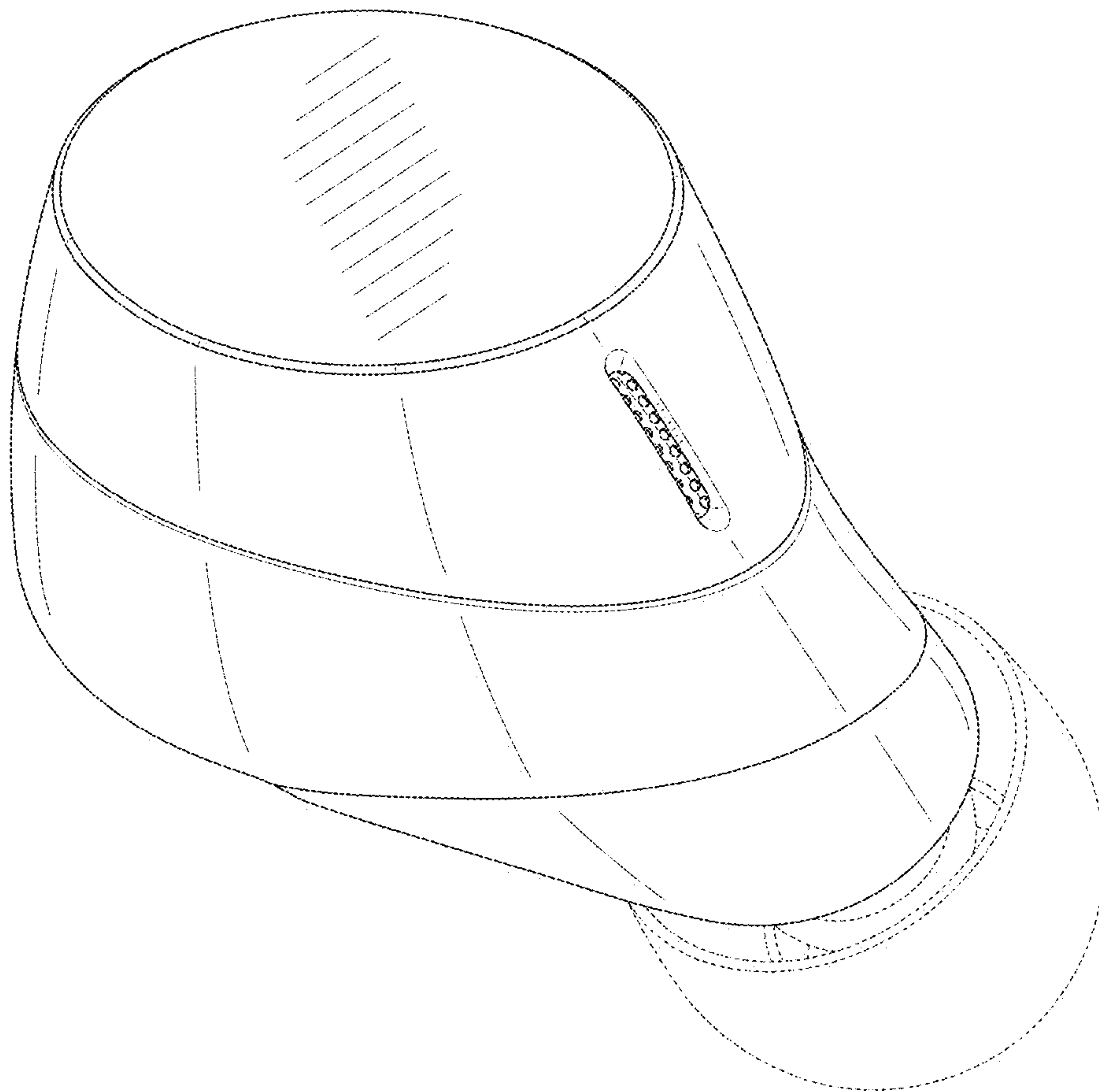


FIG.3

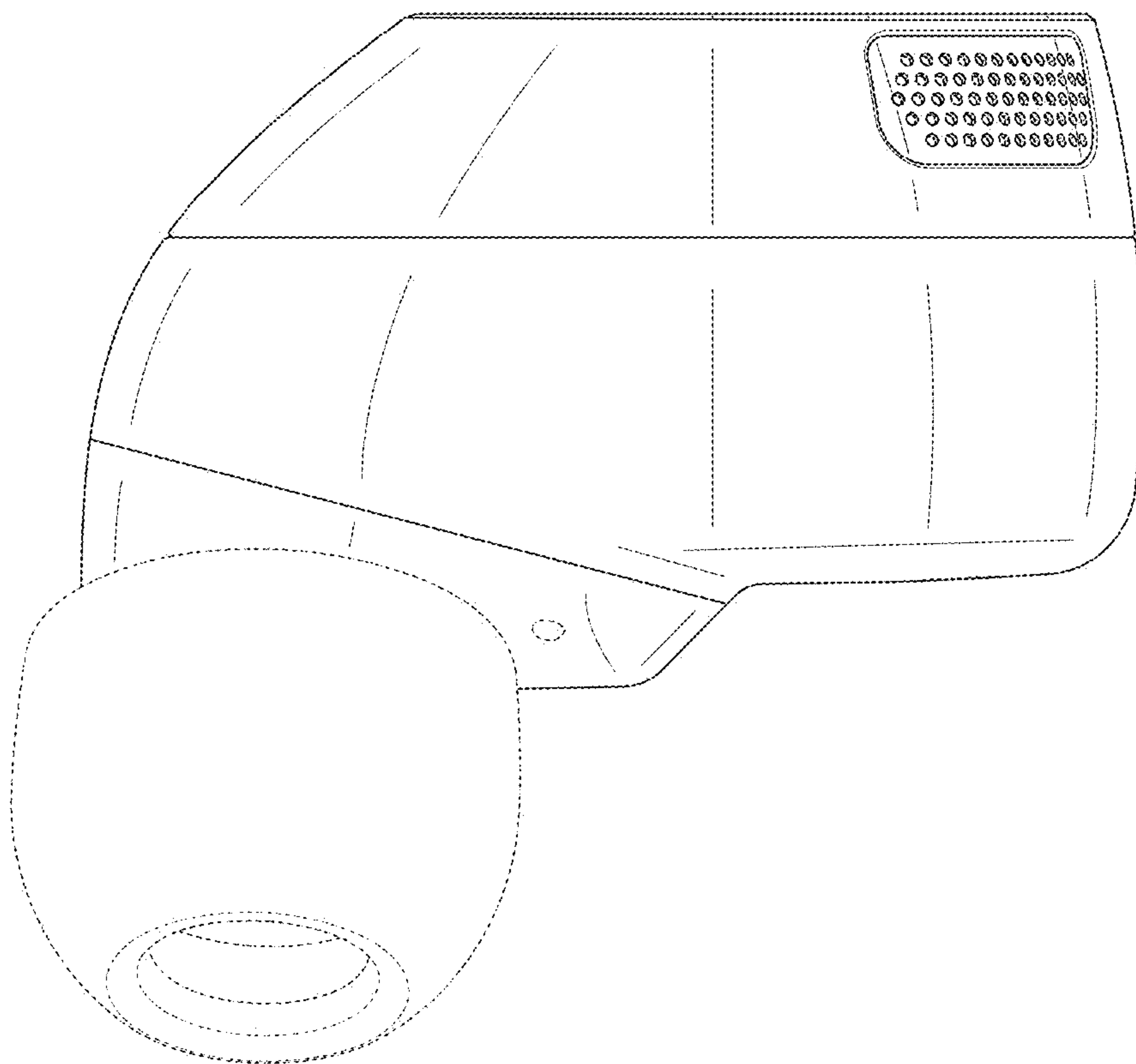


FIG.4

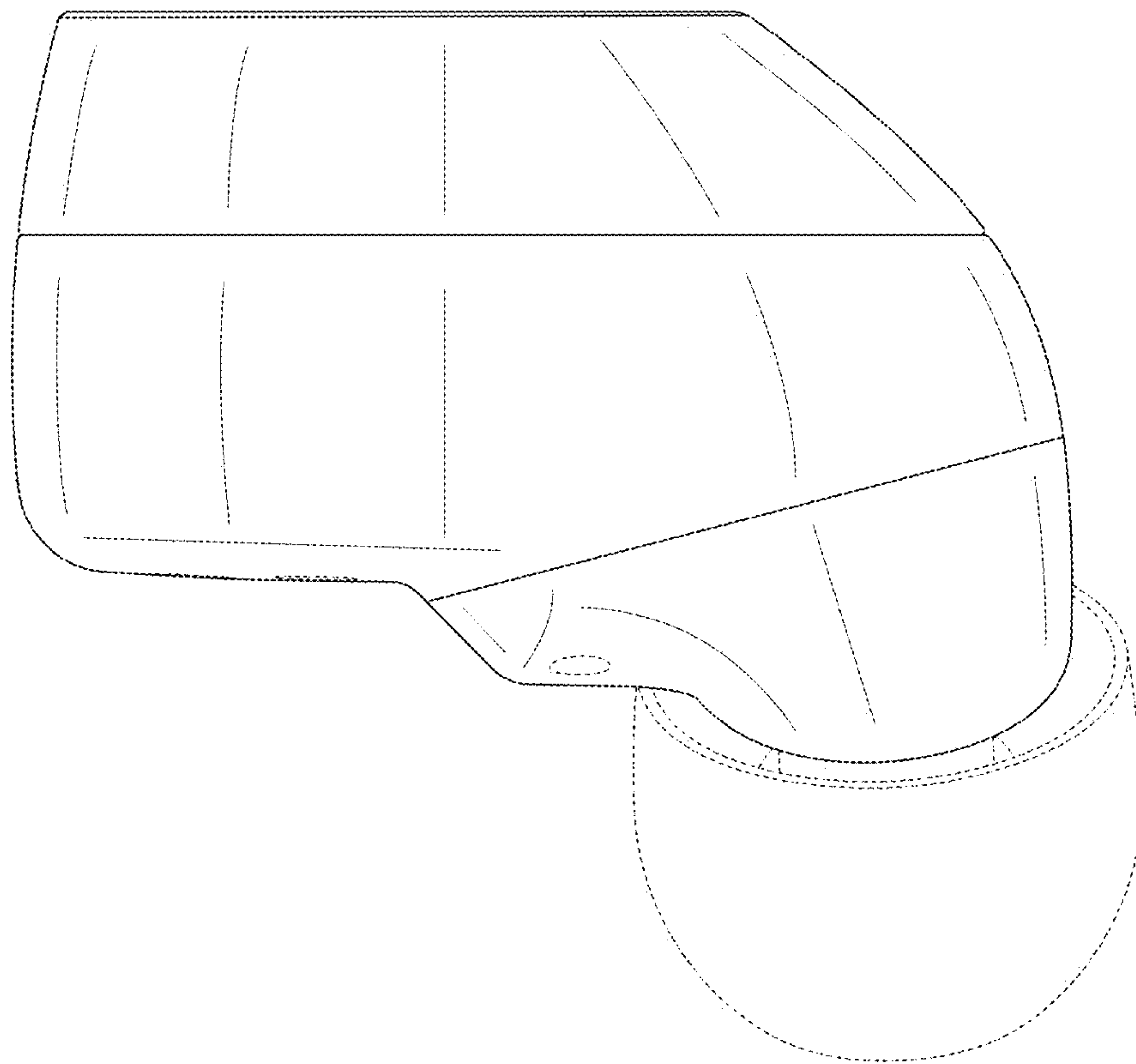


FIG.5

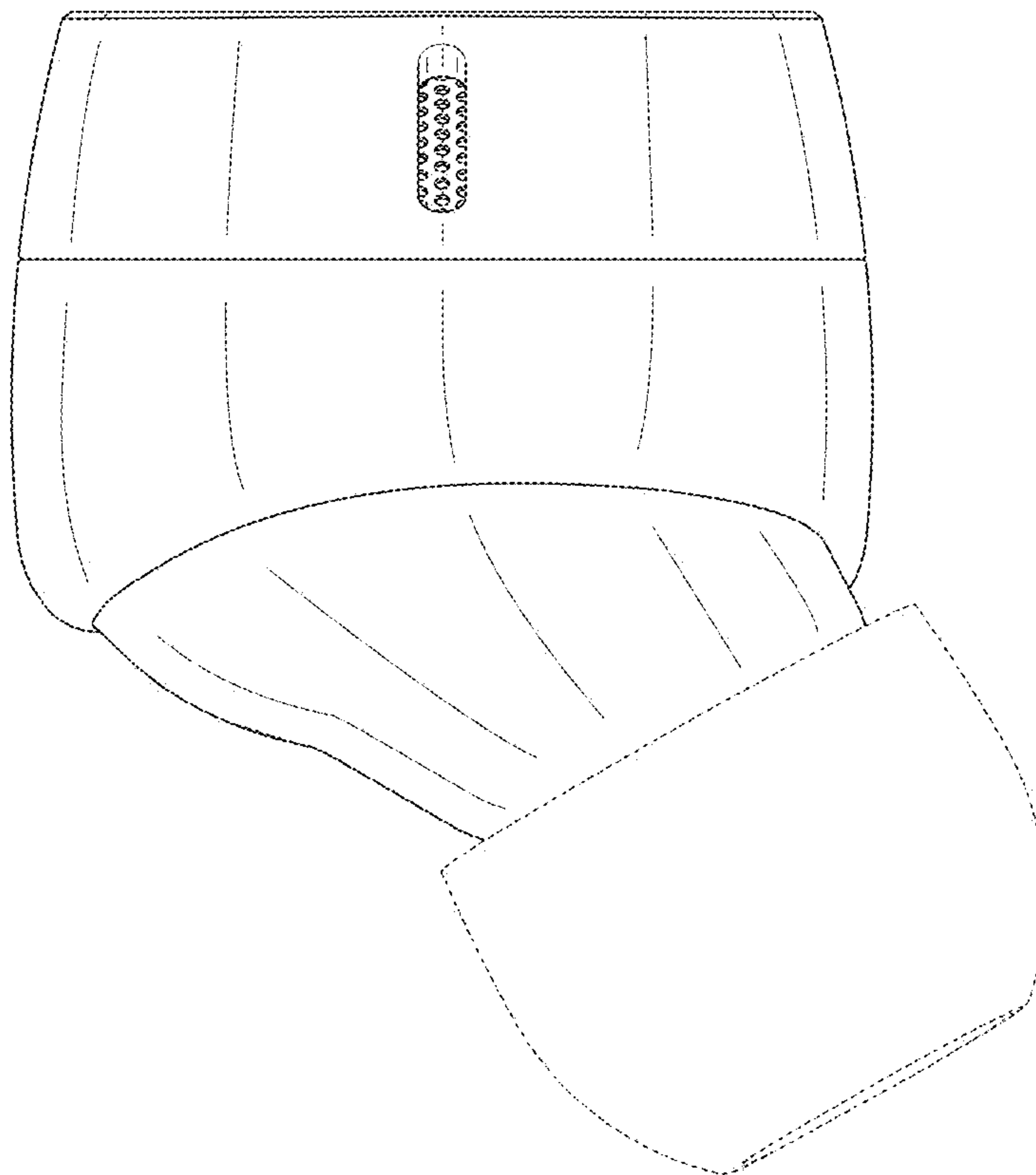


FIG.6

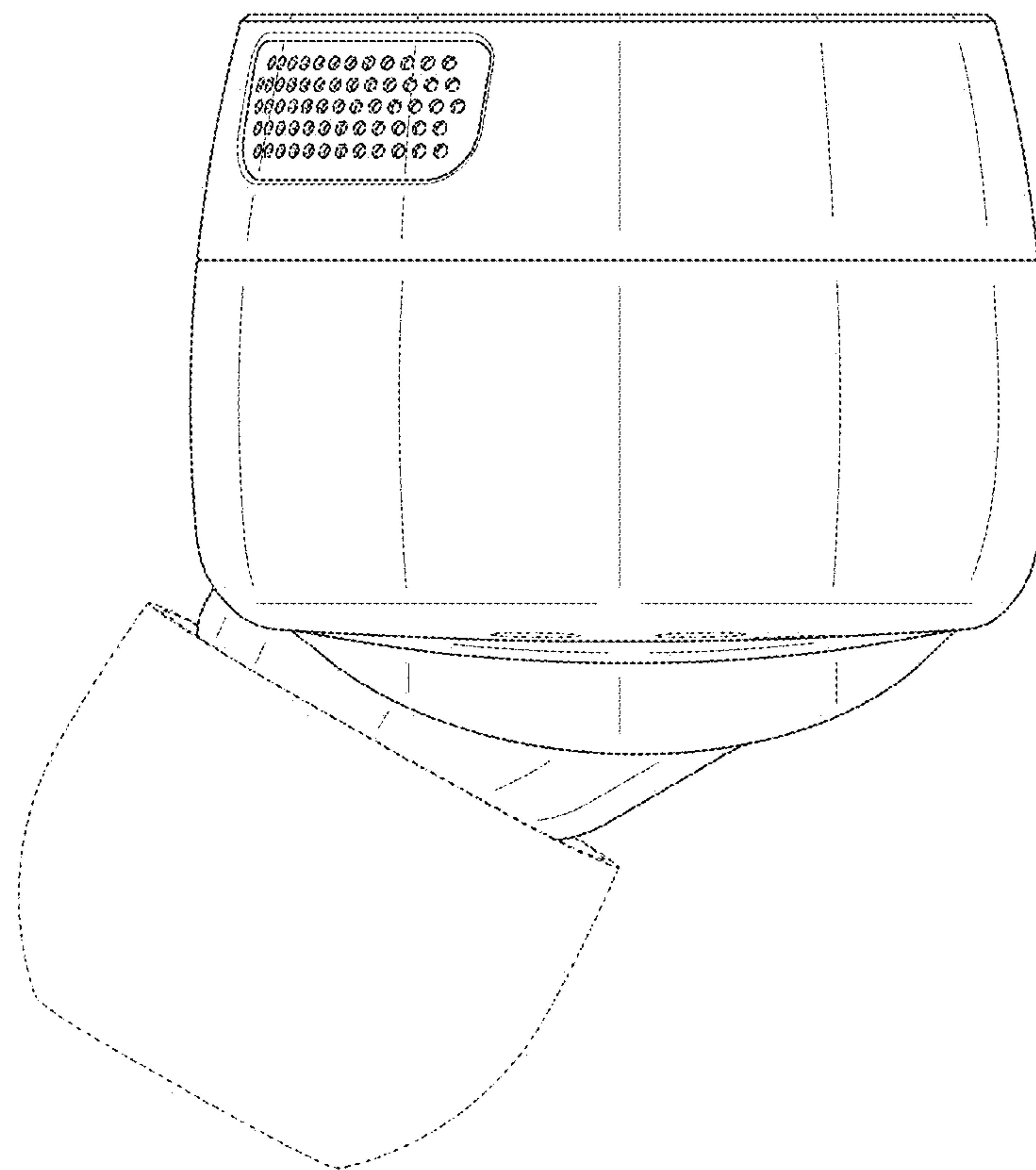


FIG. 7

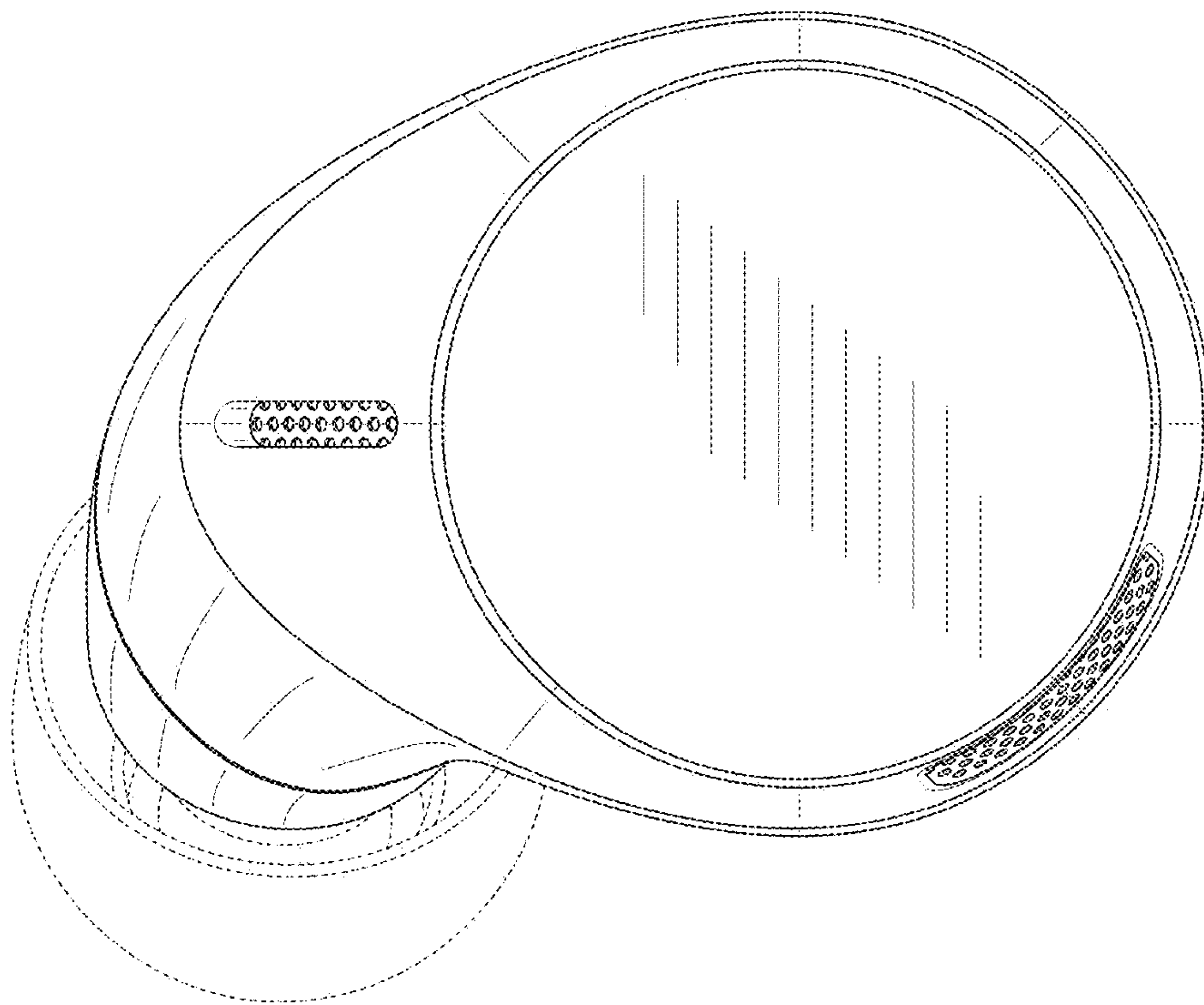


FIG.8

