



US00D964321S

(12) **United States Design Patent** (10) **Patent No.:** **US D964,321 S**  
**Bullimore et al.** (45) **Date of Patent:** **\*\* Sep. 20, 2022**

(54) **WAVEGUIDE**

(71) Applicant: **Tymphany Acoustic Technology Limited**, Taipei (TW)

(72) Inventors: **George Albert Bullimore**, Huizhou (CN); **Stuart Martin Hancock**, Huizhou (CN); **Gavin Jones**, Huizhou (CN)

(73) Assignee: **Tymphany Acoustic Technology Limited**, Taipei (TW)

(\*\*) Term: **15 Years**

(21) Appl. No.: **29/825,537**

(22) Filed: **Feb. 2, 2022**

**Related U.S. Application Data**

(62) Division of application No. 29/725,083, filed on Feb. 21, 2020.

**Foreign Application Priority Data**

Aug. 23, 2019 (CN) ..... 201930461662.2

(51) **LOC (13) Cl.** ..... **14-01**

(52) **U.S. Cl.**  
USPC ..... **D14/221**; D14/222

(58) **Field of Classification Search**  
USPC ..... D14/221, 222, 216, 219; D12/209; D26/122; D23/328, 261; 181/148, 155, 181/163, 166, 171; 381/186, 163, 433, 381/407, 398, 396; 455/90.3, 575.1, 455/569.1; D7/667  
CPC . H04R 25/00; H04R 1/02; H04R 9/04; H04R 9/06; H04R 11/02; H04R 7/16; H04R 7/00; H05K 5/00

See application file for complete search history.

(56) **References Cited**

**U.S. PATENT DOCUMENTS**

1,247,906	A *	11/1917	Tully .....	B65D 85/808
				D7/667
1,388,721	A	8/1921	Keeping	
1,950,817	A *	3/1934	Rossmann .....	E03C 1/264
				4/291
1,991,526	A	2/1935	Tichenor et al.	
2,030,501	A	2/1936	Cunningham	
2,475,516	A	7/1949	Quam	
2,496,589	A	2/1950	Marquis	
2,521,744	A	9/1950	Pocock	
2,537,723	A	1/1951	Ward	
2,539,672	A	1/1951	Olson et al.	
2,760,672	A *	8/1956	Cronheim .....	A47J 37/101
				220/369
2,857,478	A	10/1958	Harris	
D191,184	S *	8/1961	Scholz .....	D23/261
3,152,661	A *	10/1964	Wolff .....	H04R 7/122
				181/168
3,213,209	A	10/1965	Doelitzsch	
3,862,376	A	1/1975	White	

(Continued)

**FOREIGN PATENT DOCUMENTS**

CN 305920534 \* 7/2020

*Primary Examiner* — Paula Allen Greene

(74) *Attorney, Agent, or Firm* — Muncy, Geissler, Olds & Lowe, P.C.

(57) **CLAIM**

The ornamental design for a waveguide, as shown and described.

**DESCRIPTION**

FIG. 1 is a perspective view of a waveguide showing our new design;

FIG. 2 is a top plan view thereof;

(Continued)

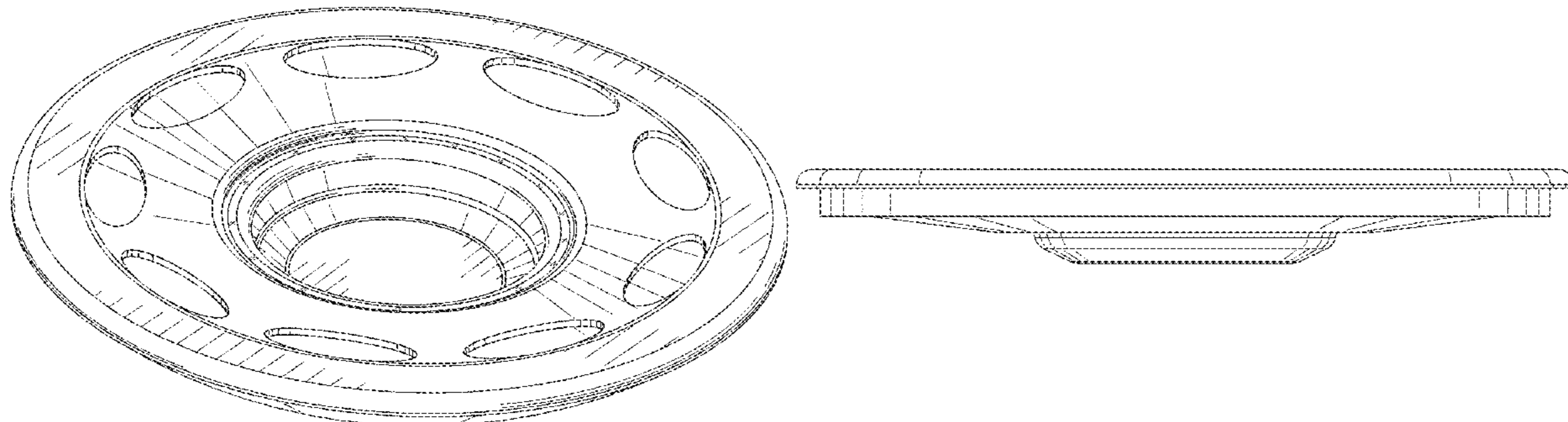


FIG. 3 is a bottom plan view thereof; and,  
FIG. 4 is a side plan view thereof.

**1 Claim, 4 Drawing Sheets**

(56)

**References Cited**

U.S. PATENT DOCUMENTS

D239,538 S 4/1976 Wagner  
D241,875 S \* 10/1976 Insalaco ..... D11/164  
3,997,023 A 12/1976 White  
D244,781 S 6/1977 Saidel  
D250,586 S 12/1978 Nussdorfer et al.  
4,146,110 A 3/1979 Maloney et al.  
4,206,832 A 6/1980 Yocum  
4,289,929 A 9/1981 Hathaway  
4,324,312 A 4/1982 Durbin  
4,365,114 A 12/1982 Soma  
4,418,248 A 11/1983 Mathis  
4,492,826 A 1/1985 Chiu  
4,554,414 A 11/1985 House  
D286,319 S \* 10/1986 Mathis ..... D23/261  
D288,807 S \* 3/1987 Hlavaty ..... D14/215  
D290,166 S \* 6/1987 Jacuzzi ..... D23/261  
4,811,406 A 3/1989 Kawachi  
4,910,811 A \* 3/1990 Izzi, Sr. .... E03C 1/262  
210/163  
D311,849 S \* 11/1990 Strand ..... D7/354  
5,097,753 A \* 3/1992 Naft ..... A47J 27/022  
D7/354  
D333,468 S \* 2/1993 Hansen ..... D14/222  
D357,480 S 4/1995 Lumsden et al.  
5,455,396 A 10/1995 Willard et al.  
5,524,061 A 6/1996 Mooney et al.  
5,548,657 A 8/1996 Fincham  
5,550,332 A 8/1996 Sakamoto  
5,625,701 A \* 4/1997 Scanlan ..... H04R 7/16  
381/403  
5,902,481 A \* 5/1999 Schwiertert ..... A47J 43/24  
210/474  
6,343,128 B1 1/2002 Coffin  
6,516,077 B1 2/2003 Yamaguchi et al.  
D484,494 S \* 12/2003 Feil ..... D14/221  
D485,136 S \* 1/2004 Golden ..... D7/667  
6,697,496 B2 2/2004 Frasl  
6,789,683 B1 \* 9/2004 Fisher ..... A47J 36/08  
99/413

D513,462 S \* 1/2006 VanGilder ..... D7/391  
7,054,459 B2 5/2006 Kuze et al.  
D523,848 S 6/2006 Shing  
D550,819 S \* 9/2007 Seehoff ..... D23/261  
7,325,650 B2 2/2008 Horigome et al.  
D577,005 S 9/2008 Amai  
7,428,946 B2 9/2008 Honda et al.  
D598,717 S \* 8/2009 Jalet ..... D7/667  
D633,347 S \* 3/2011 Boris ..... B07B 1/06  
D7/667  
8,130,994 B2 \* 3/2012 Button ..... H04R 1/2853  
381/337  
D674,375 S 1/2013 Robineau  
D691,245 S \* 10/2013 Ho ..... D23/261  
8,842,873 B2 9/2014 Bullimore  
9,025,809 B1 5/2015 Kallen et al.  
D738,861 S 9/2015 Yang  
9,467,783 B2 10/2016 Bullimore  
D771,600 S 11/2016 Hinokio et al.  
9,532,145 B2 12/2016 Niedermann  
D777,887 S \* 1/2017 Johansen ..... D23/261  
D795,143 S \* 8/2017 Niemann ..... D12/180  
D808,935 S 1/2018 Bullimore  
D816,132 S \* 4/2018 Nymark ..... D15/126  
D831,618 S 10/2018 Lee et al.  
D843,973 S 3/2019 Klosowski et al.  
D855,160 S \* 7/2019 Najimi ..... D23/261  
D856,981 S 8/2019 Bullimore  
D865,719 S \* 11/2019 Tanabe ..... D14/221  
D874,617 S \* 2/2020 Chen ..... D23/261  
D875,084 S 2/2020 Lopez Castillo et al.  
D877,122 S 3/2020 Klosowski et al.  
D881,846 S \* 4/2020 Chen ..... D14/222  
D900,285 S \* 10/2020 Liu ..... D23/261  
D900,760 S \* 11/2020 Kouzuma ..... D15/126  
11,102,575 B1 8/2021 Bullimore et al.  
D941,441 S \* 1/2022 Ghiorghie ..... D23/261  
2001/0043713 A1 11/2001 Tokusho et al.  
2008/0298629 A1 \* 12/2008 Huang ..... H04R 9/06  
381/398  
2010/0220888 A1 \* 9/2010 Huang ..... H04R 9/06  
381/400  
2011/0223825 A1 9/2011 Chen  
2013/0064413 A1 3/2013 Cazes Bouchet  
2014/0119579 A1 5/2014 Servado  
2015/0038046 A1 2/2015 Lindberg  
2016/0198256 A1 7/2016 Bogdanov et al.

\* cited by examiner

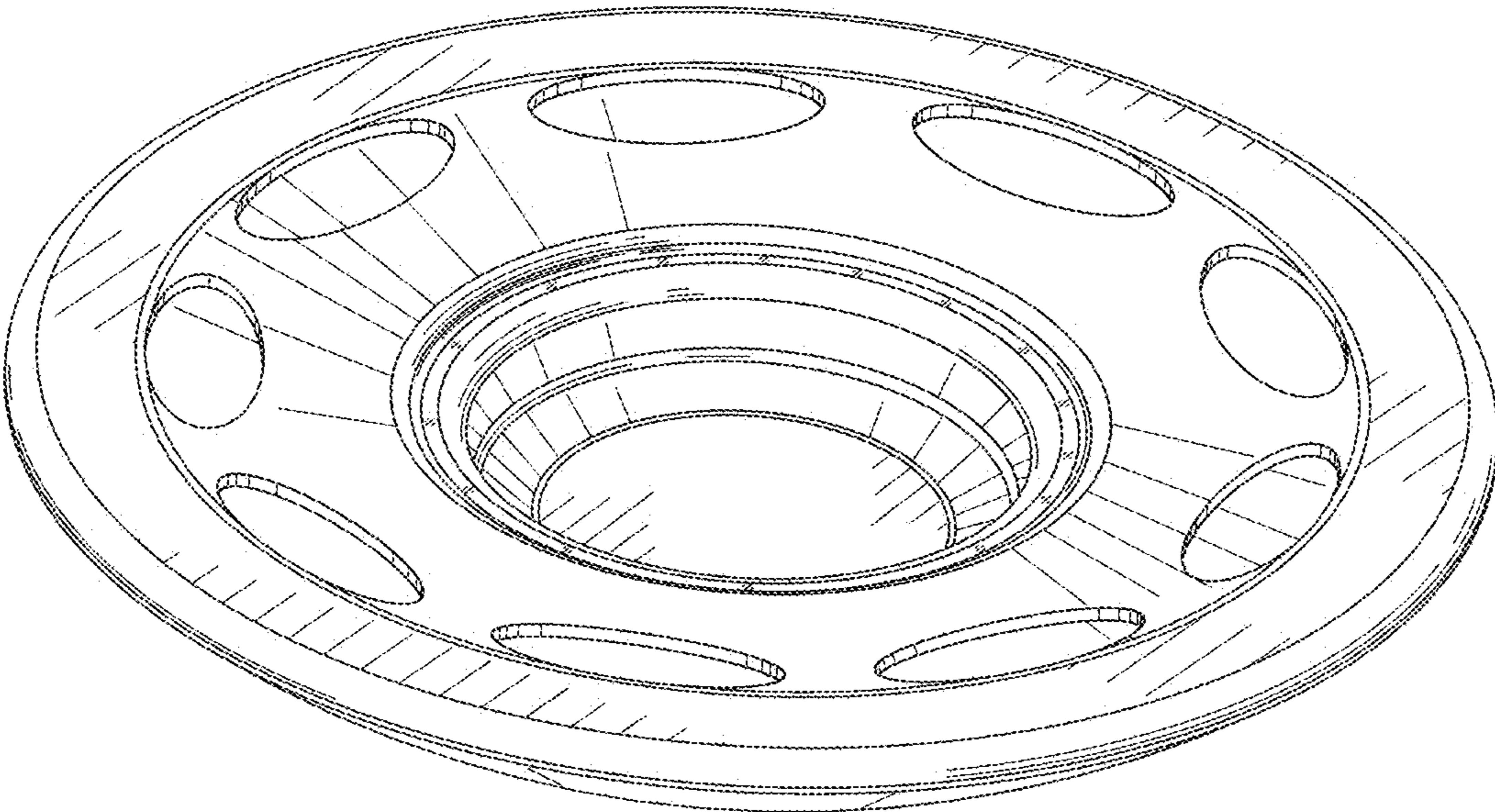


FIG.1

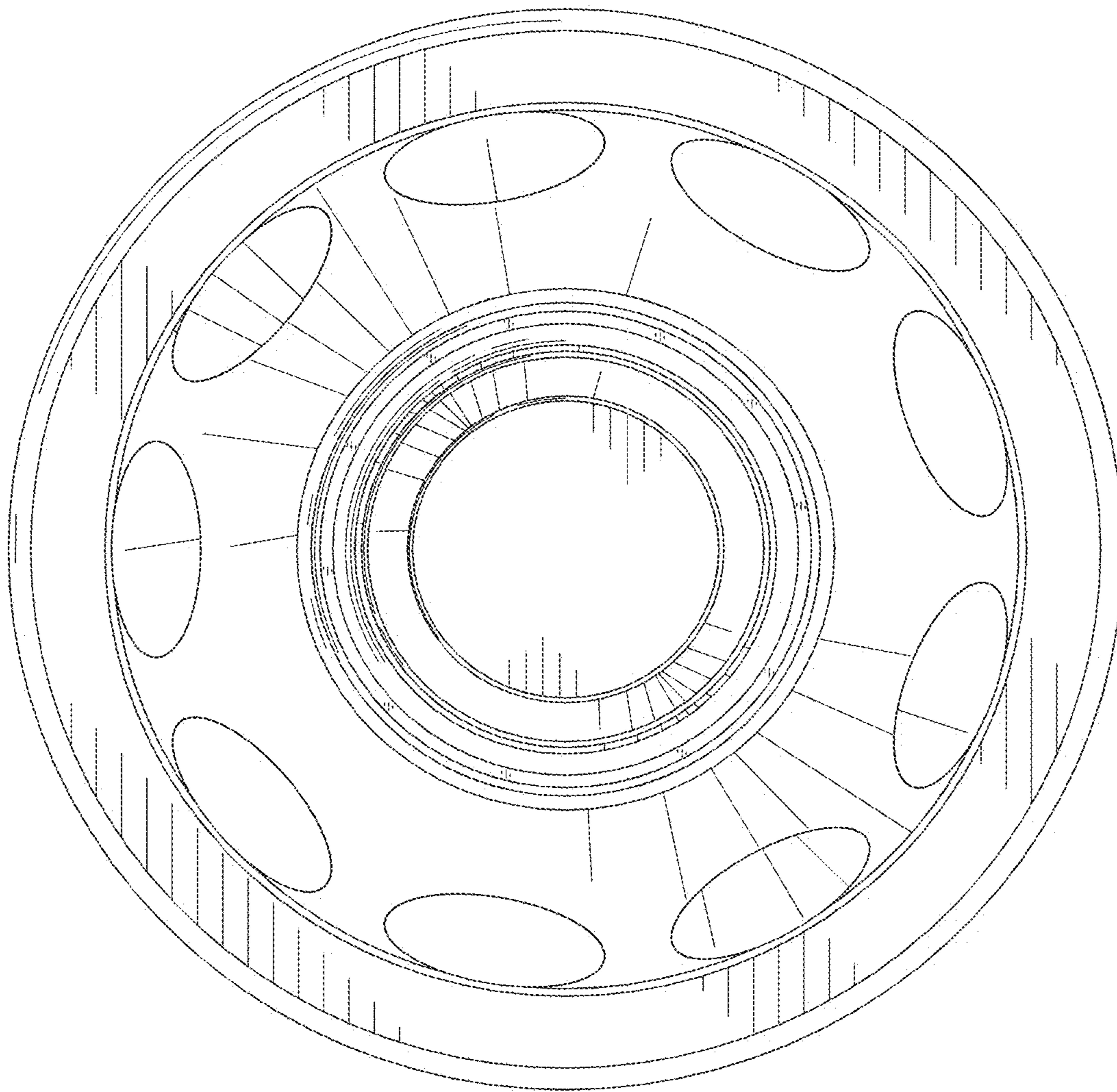


FIG.2

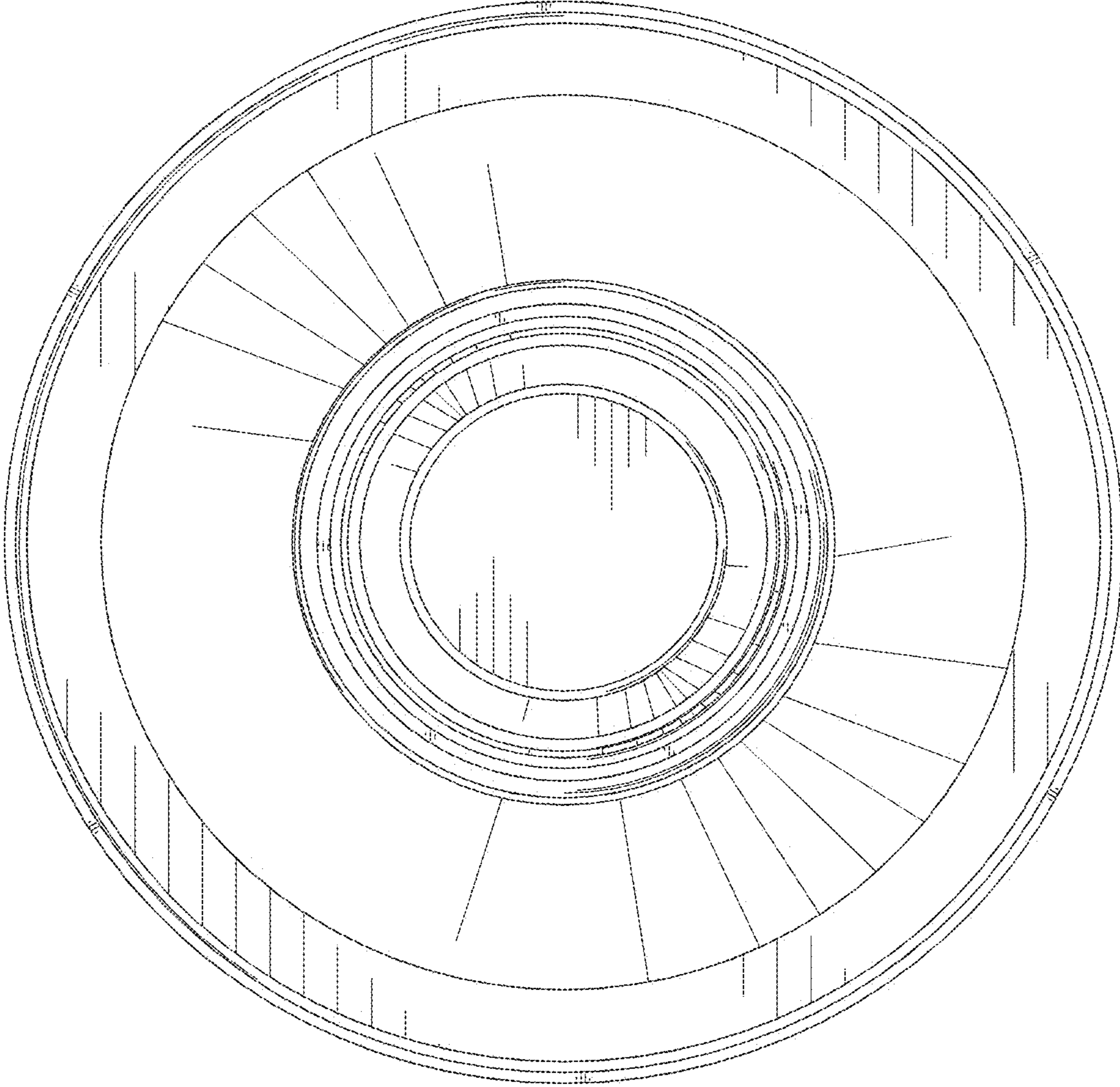


FIG.3

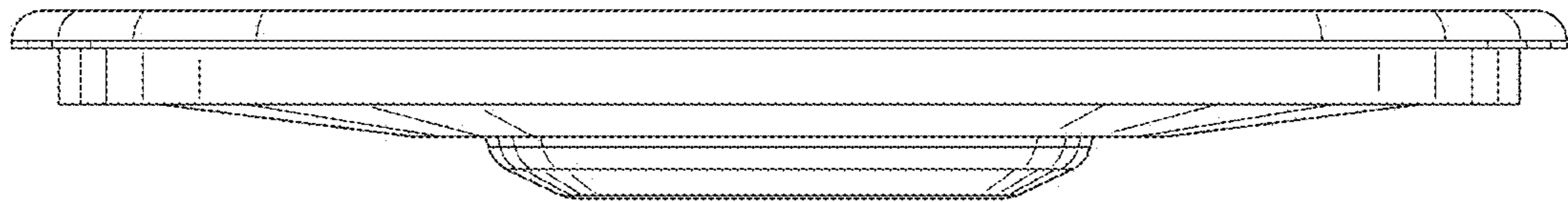


FIG.4