



US00D964320S

(12) **United States Design Patent**
Homza et al.

(10) **Patent No.:** **US D964,320 S**
(45) **Date of Patent:** **** Sep. 20, 2022**

(54) **SPEAKER**

(71) Applicant: **Comcast Cable Communications, LLC**, Philadelphia, PA (US)

(72) Inventors: **Henry Homza**, Philadelphia, PA (US);
Michael Jou, Philadelphia, PA (US);
Neil Epstein, Philadelphia, PA (US);
Zhe Zhang, Wood Ridge, NJ (US)

(73) Assignee: **Comcast Cable Communications, LLC**, Philadelphia, PA (US)

(**) Term: **15 Years**

(21) Appl. No.: **29/712,808**

(22) Filed: **Nov. 12, 2019**

(51) **LOC (13) Cl.** **14-01**

(52) **U.S. Cl.**
USPC **D14/210**

(58) **Field of Classification Search**
USPC D14/167, 168, 170–172, 188, 194–196,
D14/204, 209.1, 210–216, 219, 221, 222,
D14/224, 239, 496
CPC B60R 11/0217; G06F 1/1688; G10K 9/22;
G10K 11/004; H03F 1/327; H04M 1/03;
H04M 1/035; H04N 5/642; H04N
21/4852; H04R 1/02; H04R 1/06; H04R
1/021; H04R 1/025; H04R 1/026; H04R
1/028; H04R 1/105; H04R 1/323; H04R
1/403; H04R 1/2803; H04R 1/2834;
H04R 5/02; H04R 7/20; H04R 9/06;
H04R 9/025; H04R 2201/021; H04R
2400/00; H04R 2400/07; H04R 2499/11;
H04R 2499/13; H04R 2499/15; H04S
3/00; H04S 7/30

See application file for complete search history.

(56) **References Cited**

U.S. PATENT DOCUMENTS

D259,932 S *	7/1981	Hawkins	D14/212
D270,628 S *	9/1983	Bobrovniczky	D13/138.2
D626,938 S *	11/2010	Moore	D14/214
D654,435 S *	2/2012	Lee	D13/138.2
D697,894 S *	1/2014	Krisztal	D14/204
D760,188 S *	6/2016	Kalyuzhny	D14/204
D778,872 S *	2/2017	Yang	D14/204
D842,297 S *	3/2019	Pennington, Jr.	D14/314
D862,411 S *	10/2019	Yang	D14/204
D926,687 S *	8/2021	Helgeson	D13/110
D934,193 S *	10/2021	Zhang	D14/204
D936,005 S *	11/2021	Helgeson	D13/110
D936,640 S *	11/2021	Elwood	D14/230
D938,382 S *	12/2021	Tak	D14/204
D945,982 S *	3/2022	Endo	D14/219

* cited by examiner

Primary Examiner — Keli L Hill

(74) *Attorney, Agent, or Firm* — Banner & Witcoff, Ltd.

(57) **CLAIM**

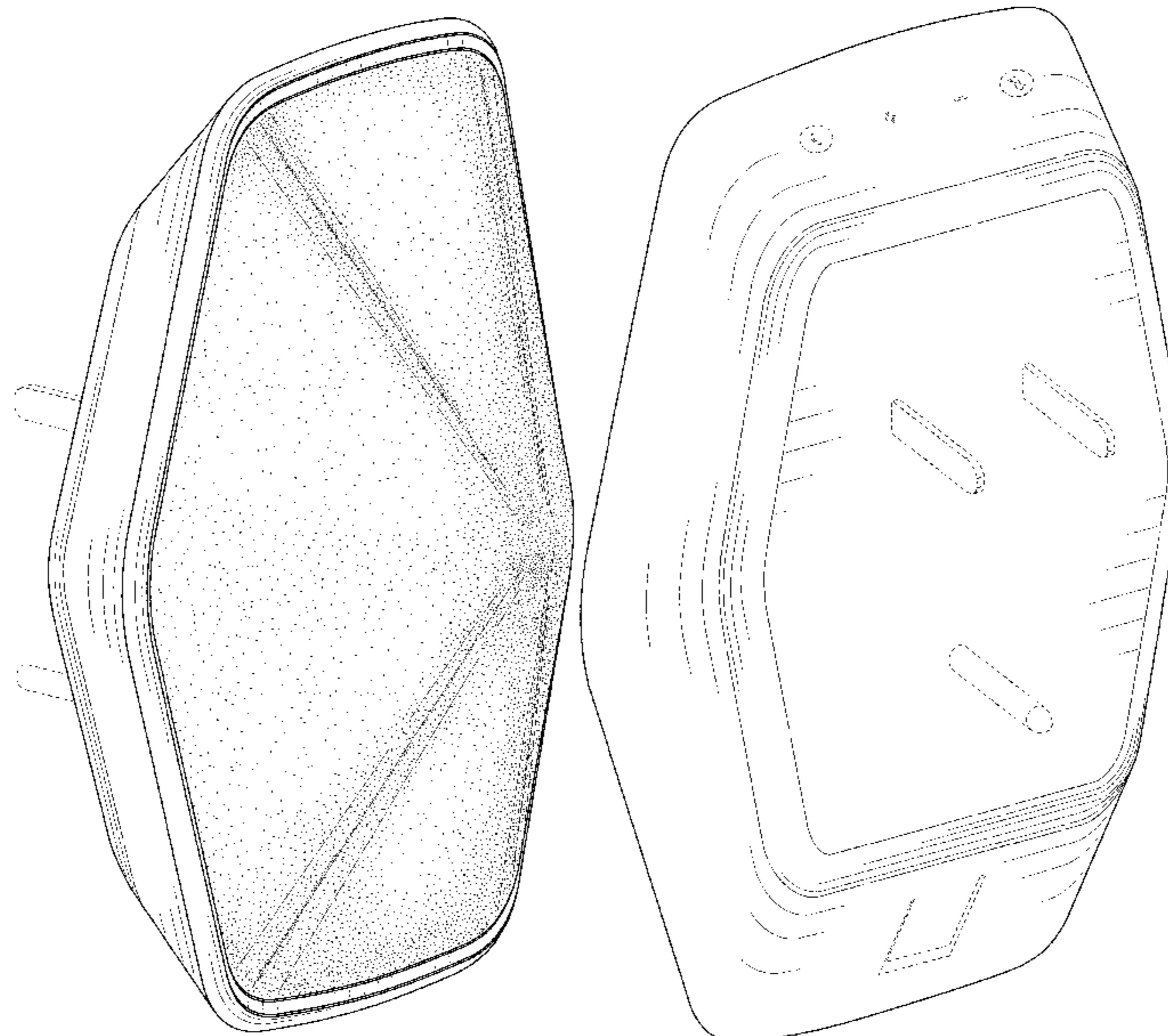
The ornamental design for a speaker, as shown and described.

DESCRIPTION

FIG. 1 is a front perspective view of a speaker showing our new design;
FIG. 2 is a rear perspective view thereof;
FIG. 3 is a front view thereof;
FIG. 4 is a rear view thereof;
FIG. 5 is a right side view thereof;
FIG. 6 is a left side view thereof;
FIG. 7 is a top view thereof; and,
FIG. 8 is a bottom view thereof.

The broken lines shown are included for the purpose of illustrating portions of the speaker that form no part of the claimed design.

1 Claim, 7 Drawing Sheets



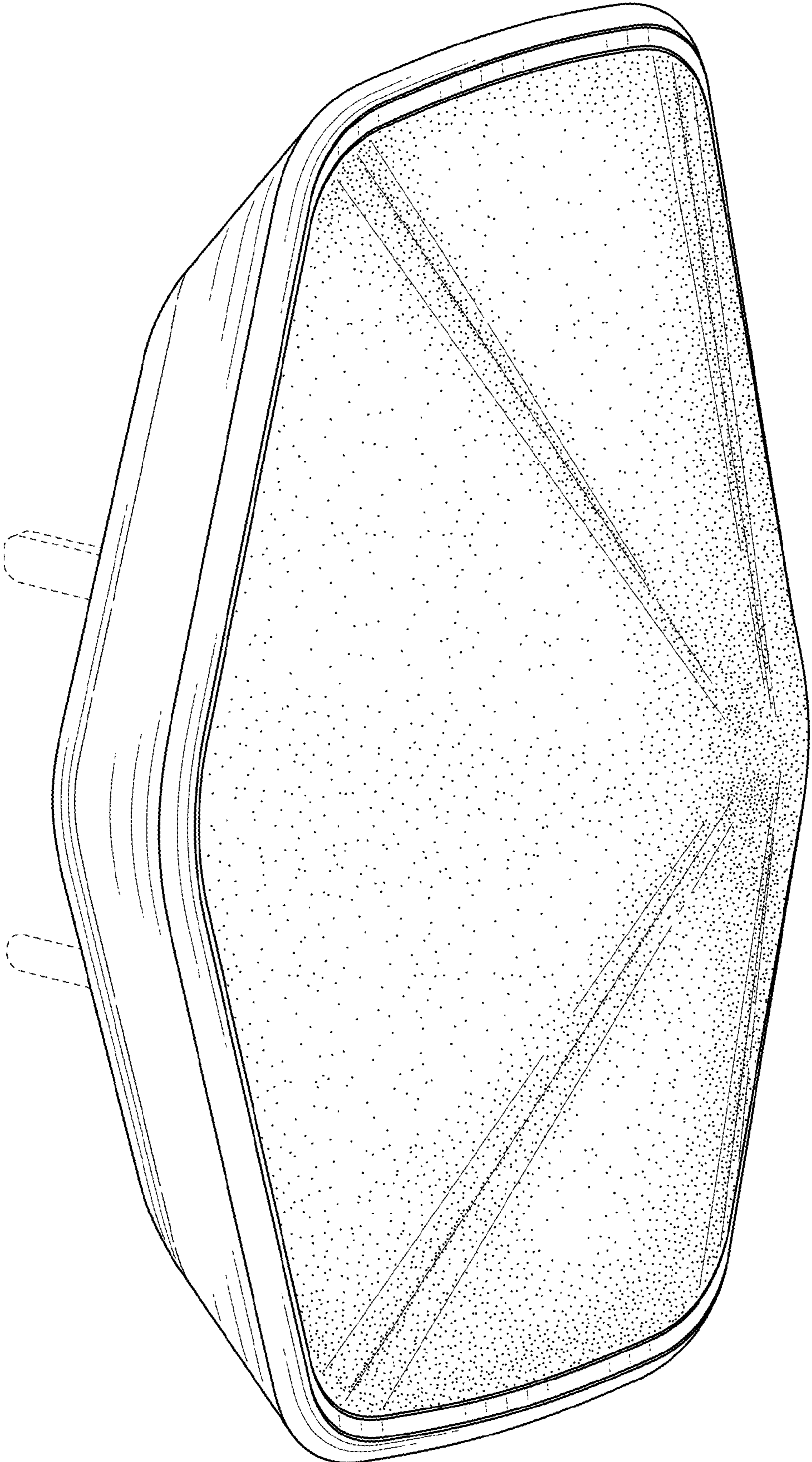


FIG. 1

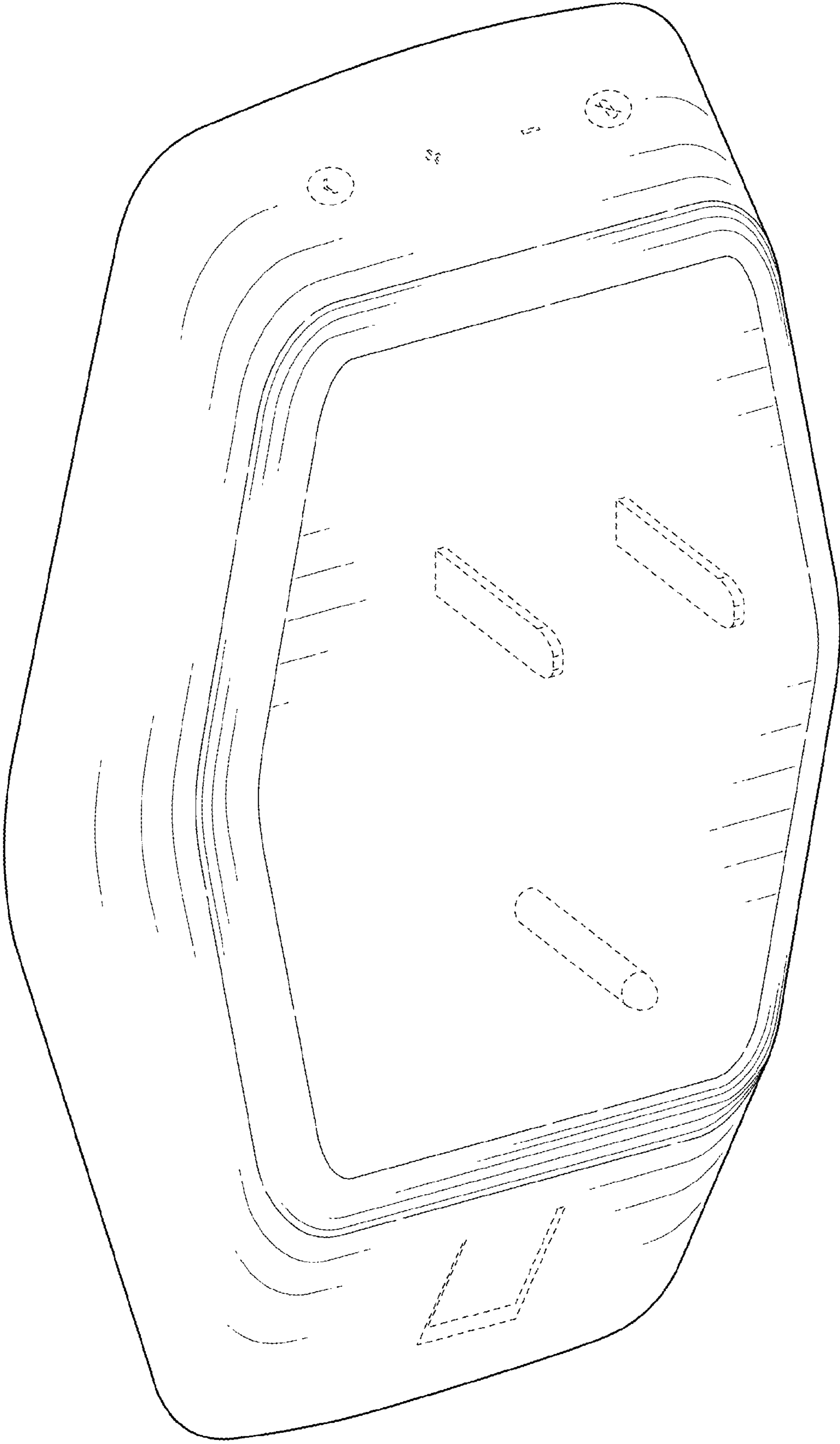


FIG. 2

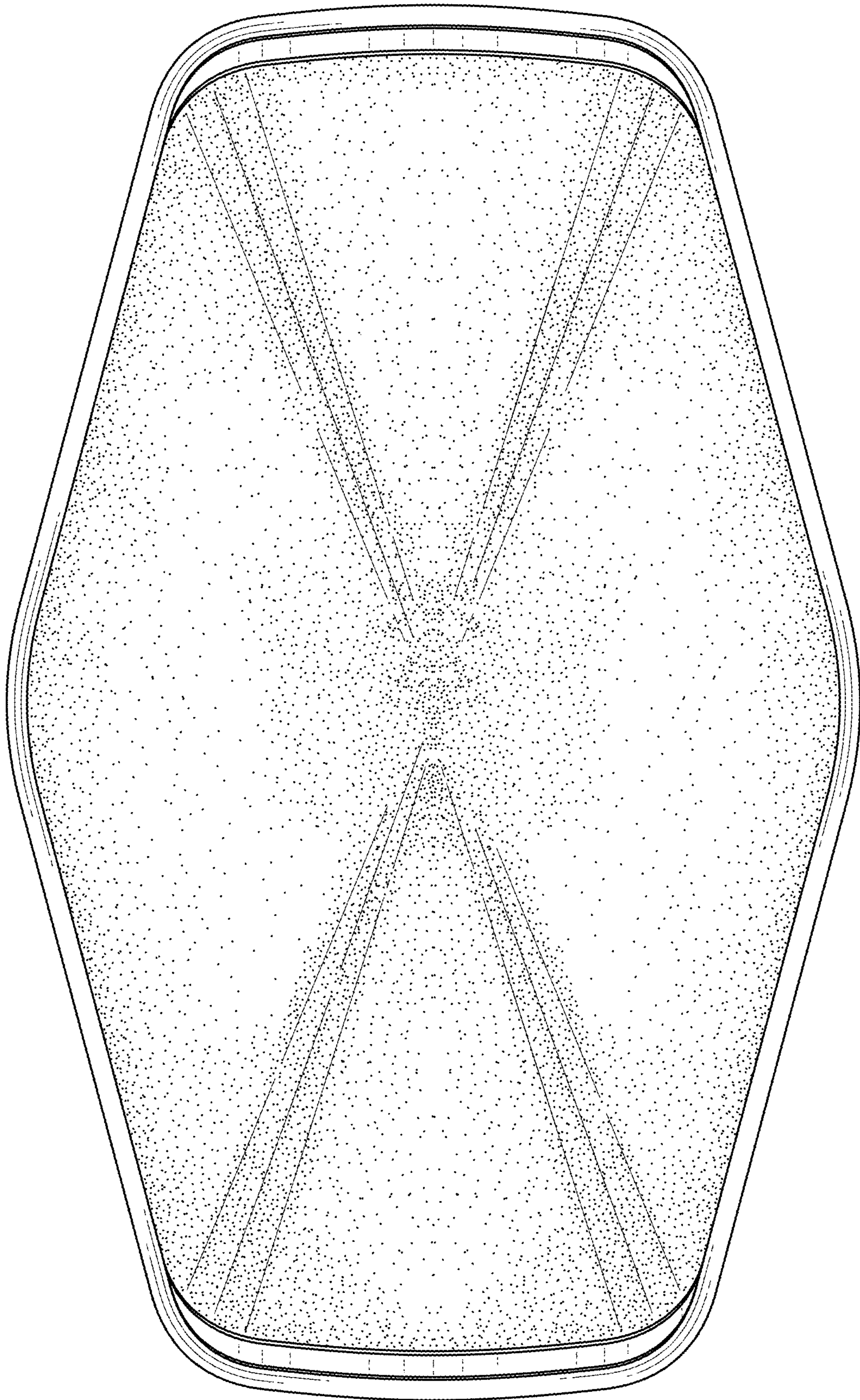


FIG. 3

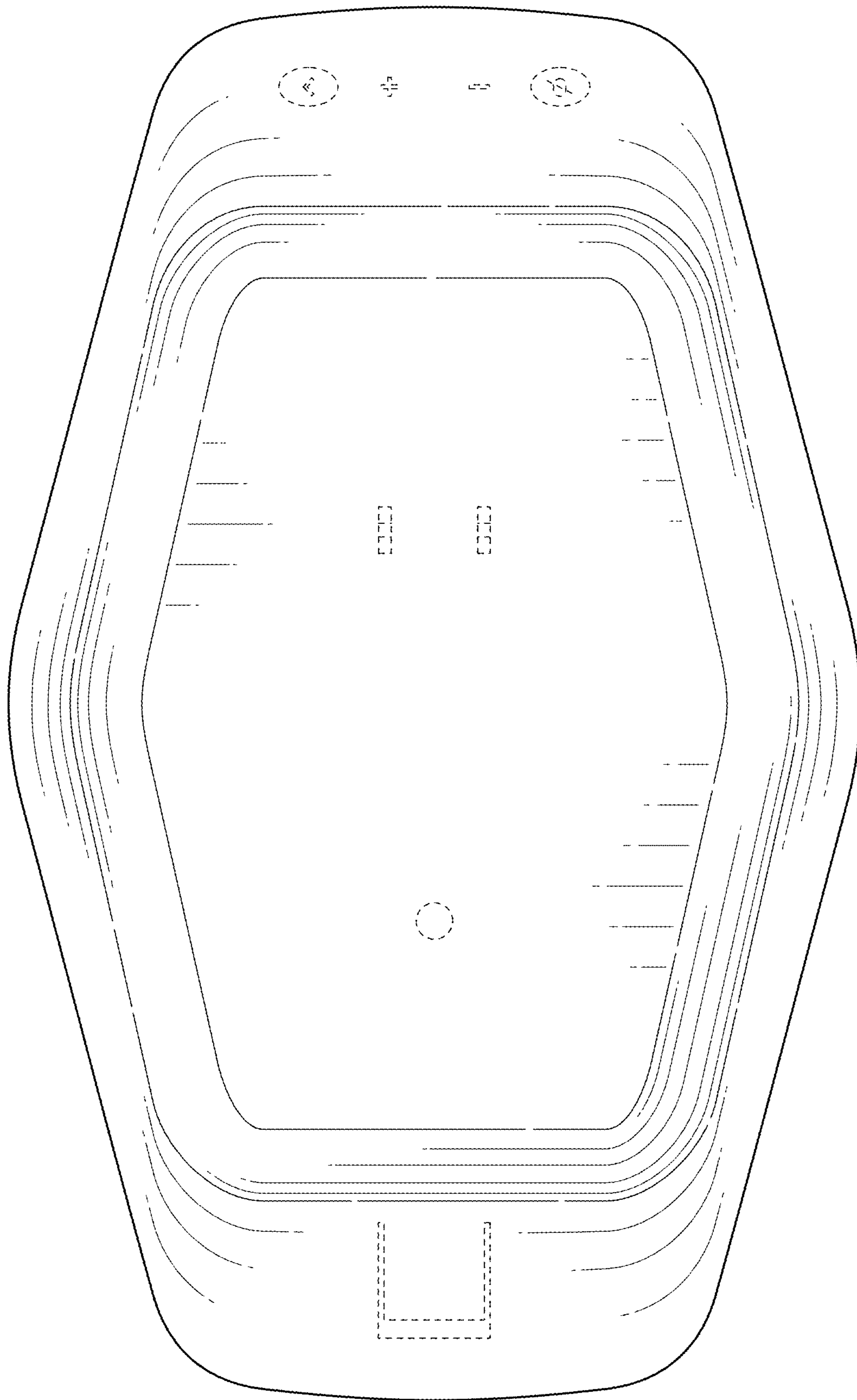


FIG. 4

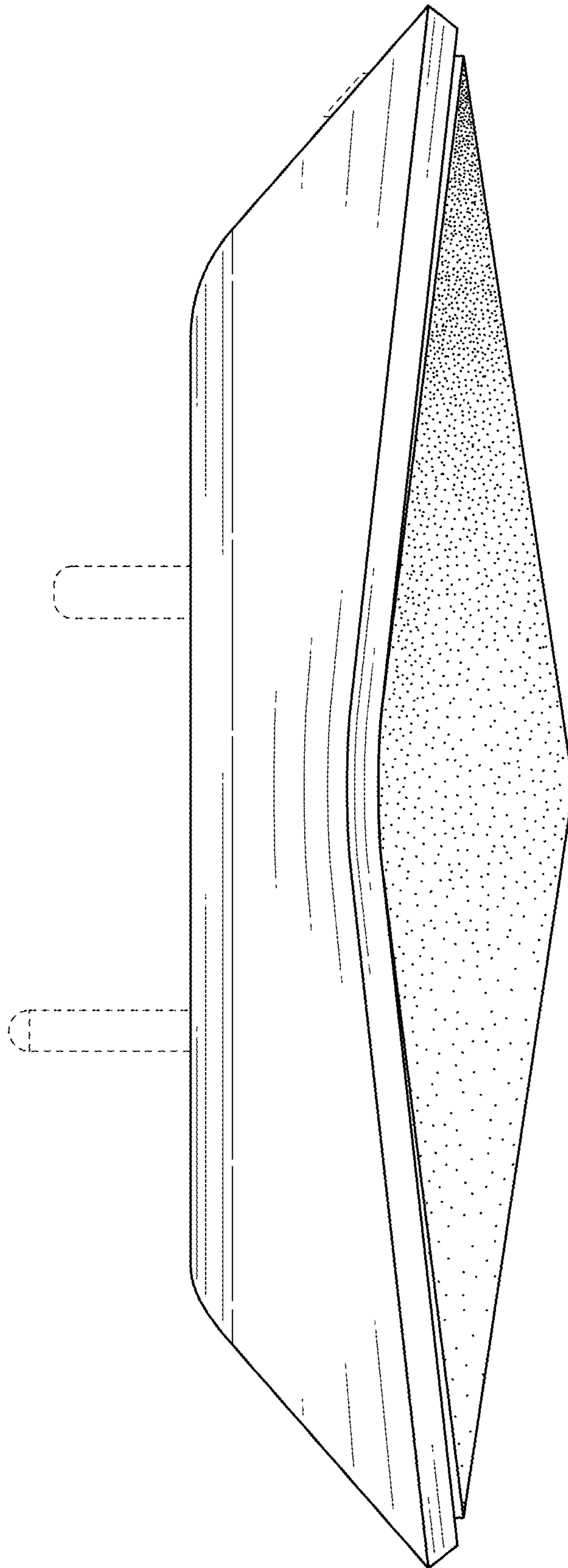


FIG. 5

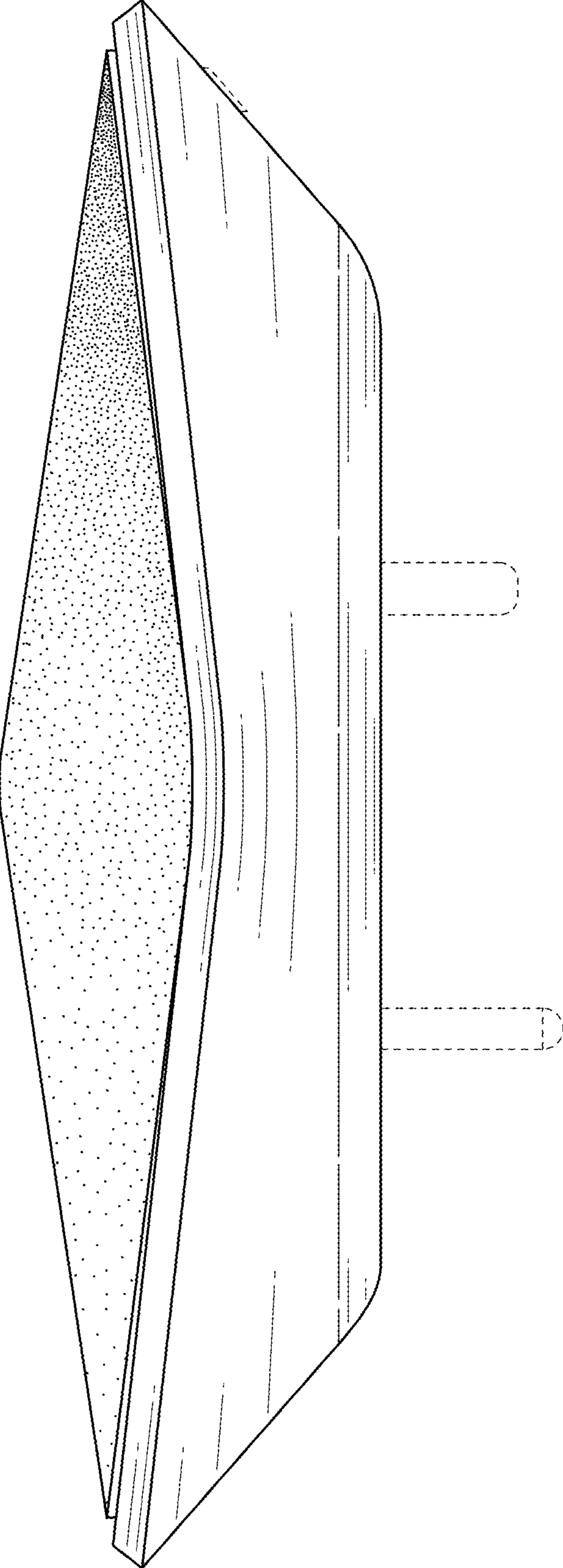


FIG. 6

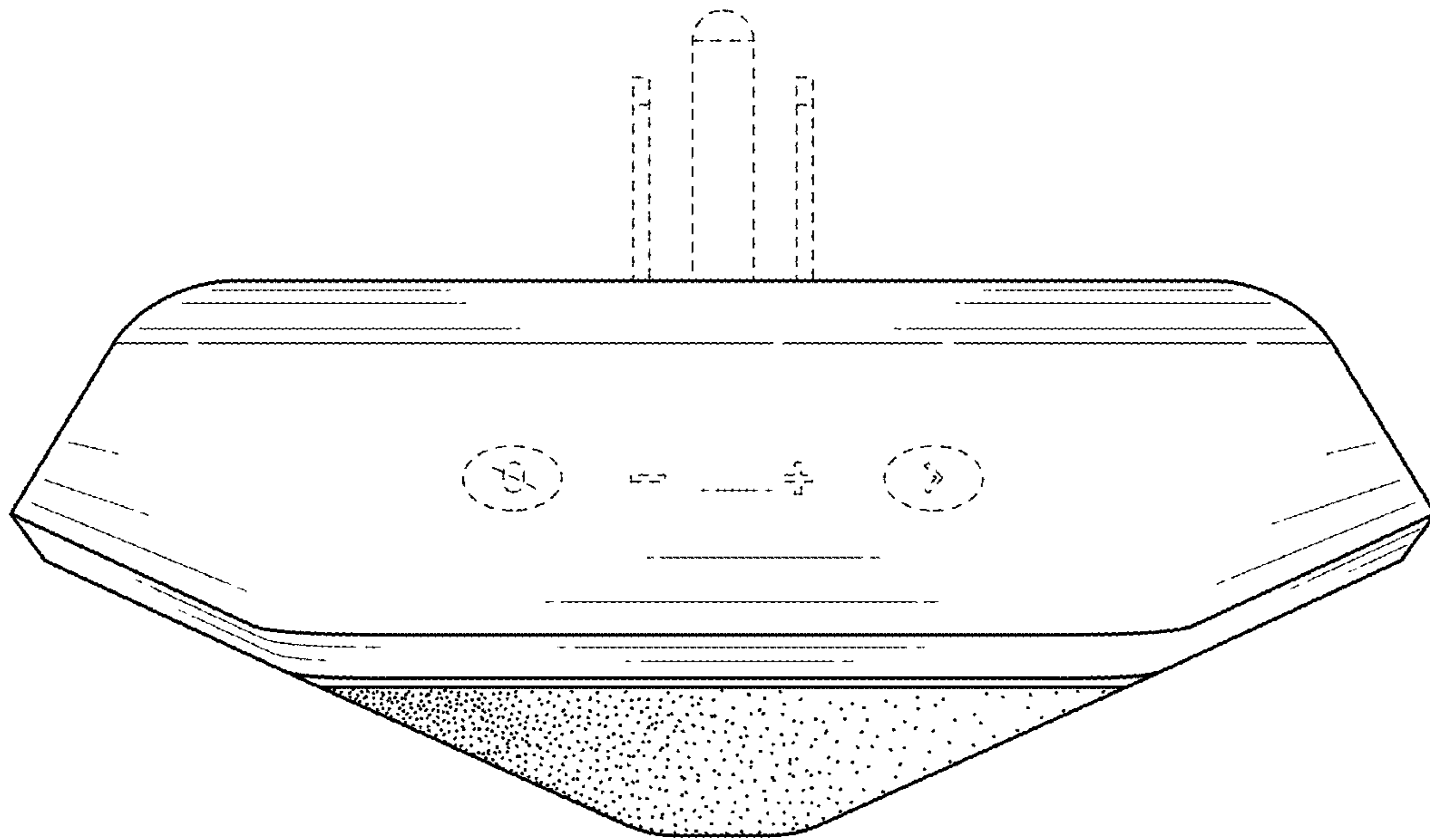


FIG. 7

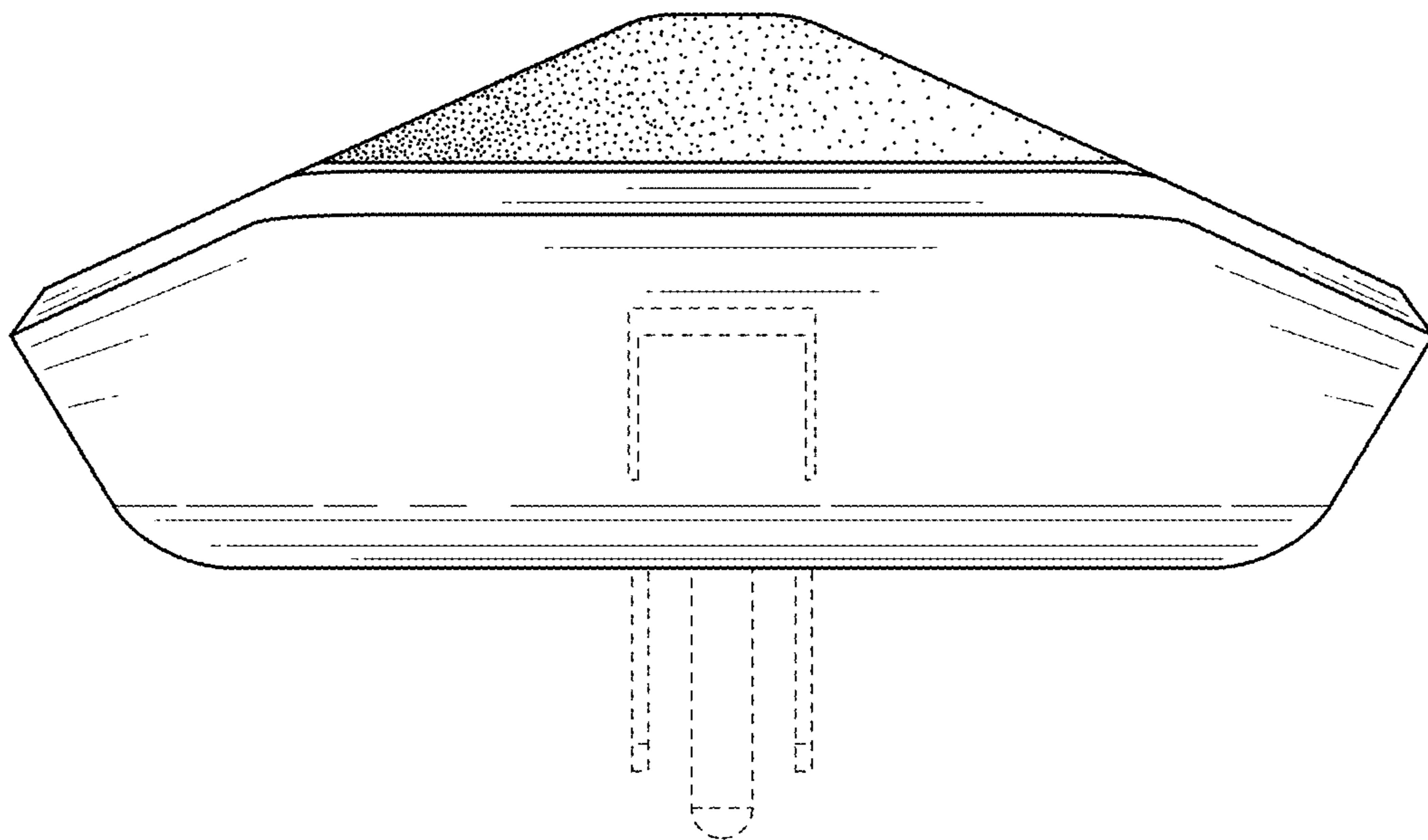


FIG. 8