



US00D964312S

(12) **United States Design Patent**
Chen

(10) **Patent No.:** **US D964,312 S**

(45) **Date of Patent:** **** *Sep. 20, 2022**

(54) **HEADPHONE**

(71) Applicant: **SHENZHEN 1MI TECHNOLOGIES LIMITED**, Shenzhen (CN)

(72) Inventor: **Junkui Chen**, Guangdong (CN)

(73) Assignee: **SHENZHEN 1MI TECHNOLOGIES LIMITED**, Shenzhen (CN)

(*) Notice: This patent is subject to a terminal disclaimer.

(**) Term: **15 Years**

(21) Appl. No.: **29/750,535**

(22) Filed: **Sep. 15, 2020**

(51) **LOC (13) Cl.** **14-01**

(52) **U.S. Cl.**
USPC **D14/205**

(58) **Field of Classification Search**
USPC D14/205, 188, 192; D29/112; 2/209;
381/380-381, 378-379, 374; 455/90.3,
455/575.1, 569.1
CPC H04R 25/00; H04R 25/02; H04R 1/1066;
H04R 1/1016; H04R 5/033; H04R
5/0335; H04R 1/1091
See application file for complete search history.

(56) **References Cited**

U.S. PATENT DOCUMENTS

D642,554 S * 8/2011 Schaal D14/205
D706,241 S * 6/2014 Szymanski H04R 1/1066
D14/205
D706,242 S * 6/2014 Yang H04R 1/1066
D14/205
D707,653 S * 6/2014 Hardi H04R 1/10
D14/205
D708,163 S * 7/2014 Ishikura D14/205
D712,375 S * 9/2014 Miyake D14/205

D713,374 S * 9/2014 Farrage D14/205
D721,052 S * 1/2015 Carr D14/205
D722,998 S * 2/2015 Sancho D14/205
D727,289 S * 4/2015 Czaniecki D14/205
D728,512 S * 5/2015 Nakagawa D14/205
D729,194 S * 5/2015 Boeckel D14/205
D729,196 S * 5/2015 Liu D14/205
D733,090 S * 6/2015 Petersen D14/205
D743,369 S * 11/2015 Mackiewicz D14/205
D750,041 S * 2/2016 Birger D14/205
D750,593 S * 3/2016 Hardi H04R 1/10
D14/205
D759,626 S * 6/2016 Wagner D14/205
D763,226 S * 8/2016 Petersen D14/205
D768,111 S * 10/2016 Nam D14/205
D769,840 S * 10/2016 Henning D14/205
D771,012 S * 11/2016 Wagner D14/205

(Continued)

FOREIGN PATENT DOCUMENTS

CN 305706780 * 4/2020
CN 306391105 * 3/2021

(Continued)

Primary Examiner — Paula Allen Greene

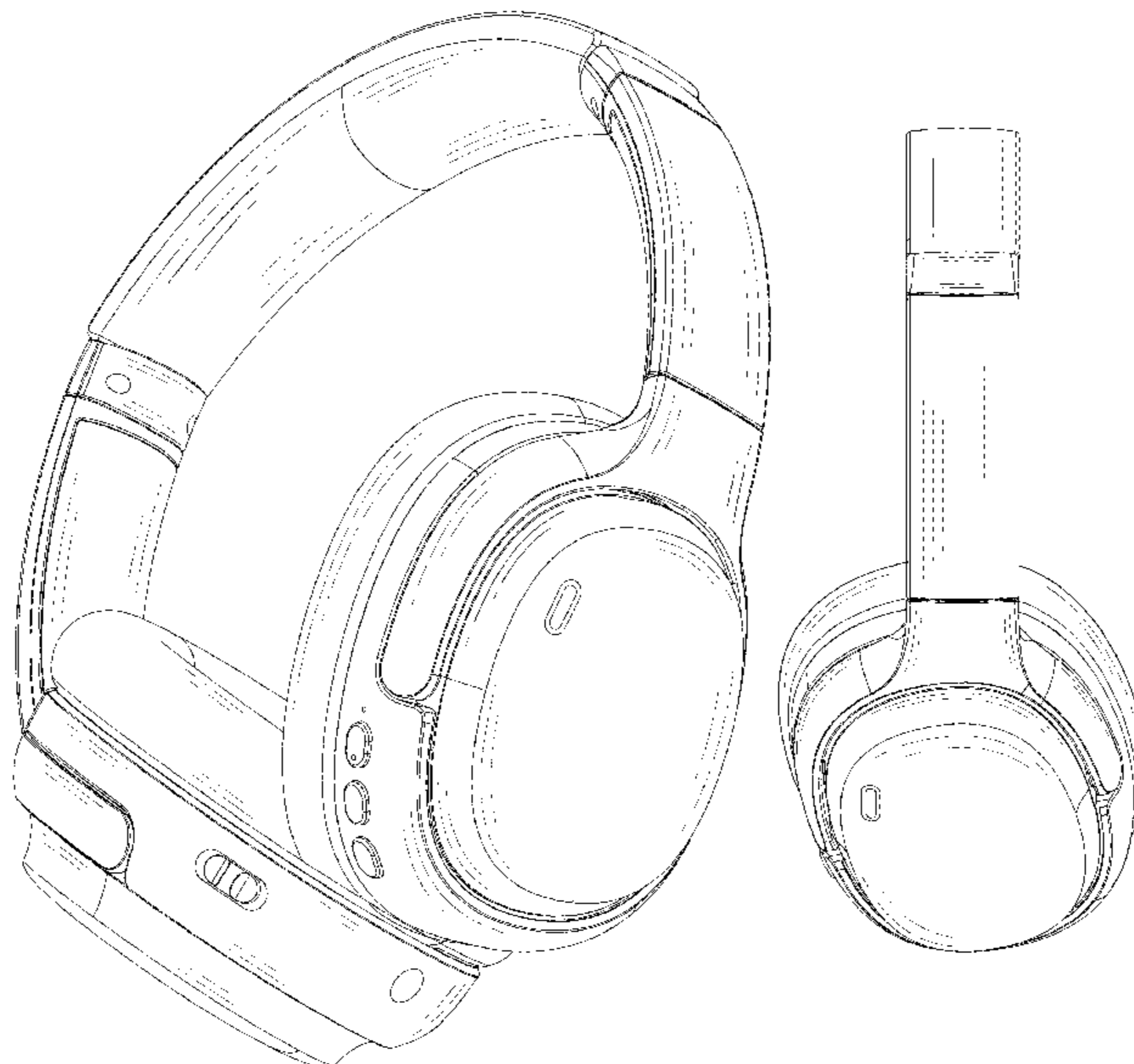
(57) **CLAIM**

The ornamental design for a headphone, as shown and described.

DESCRIPTION

FIG. 1 is a perspective view of a headphone showing my new design;
FIG. 2 is a front elevation view thereof;
FIG. 3 is a rear elevation view thereof;
FIG. 4 is a left side elevation view thereof;
FIG. 5 is a right side elevation view thereof;
FIG. 6 is a top plan view thereof; and,
FIG. 7 is a bottom plan view thereof.
The broken lines in the drawings illustrate portions of the headphone and form no part of the claimed design.

1 Claim, 5 Drawing Sheets



(56)

References Cited

U.S. PATENT DOCUMENTS

D787,469 S * 5/2017 Djohar D14/205
 D787,470 S * 5/2017 Kelly D14/205
 D811,365 S * 2/2018 Czaniecki D14/205
 D826,208 S * 8/2018 Czaniecki D14/205
 D837,764 S * 1/2019 Xiao D14/205
 D840,370 S * 2/2019 Kelly D14/205
 D859,353 S * 9/2019 Wagner D14/205
 D864,900 S * 10/2019 Miller D14/205
 D865,706 S * 11/2019 Li D14/205
 D868,731 S * 12/2019 Jung D14/205
 D869,432 S * 12/2019 Jung D14/205
 D869,437 S * 12/2019 Hu D14/205
 D877,114 S * 3/2020 Lindenberger D14/205
 D879,065 S * 3/2020 Chan D14/205
 D887,391 S * 6/2020 Chong D14/205
 D890,123 S * 7/2020 Yoshimura D14/205
 D892,079 S * 8/2020 Wu D14/205
 D900,782 S * 11/2020 Vaclavik D14/205
 D908,663 S * 1/2021 Tamamura D14/205

D909,988 S * 2/2021 Vaclavik D14/205
 D909,991 S * 2/2021 Nakayama D14/205
 D918,171 S * 5/2021 Nakayama D14/205
 D919,603 S * 5/2021 Xia D14/223
 D923,600 S * 6/2021 Shibukawa D14/205
 D936,631 S * 11/2021 Qin D14/205
 D938,934 S * 12/2021 Tsubone D14/205
 D944,759 S * 3/2022 Vaclavik D14/205
 2013/0087404 A1 * 4/2013 Peskar B29C 44/146
 181/129
 2016/0216943 A1 * 7/2016 Welti G06F 3/167
 2021/0377661 A1 * 12/2021 Kwun H04R 1/1008

FOREIGN PATENT DOCUMENTS

CN 306495100 * 4/2021
 CN 307054328 * 1/2022
 EM 008827025-0001 * 1/2022
 EM 008837843-0001 * 1/2022
 GB 9006753653-0003 * 8/2019
 JP D1708929 * 2/2022

* cited by examiner



FIG. 1



FIG. 2



FIG. 3

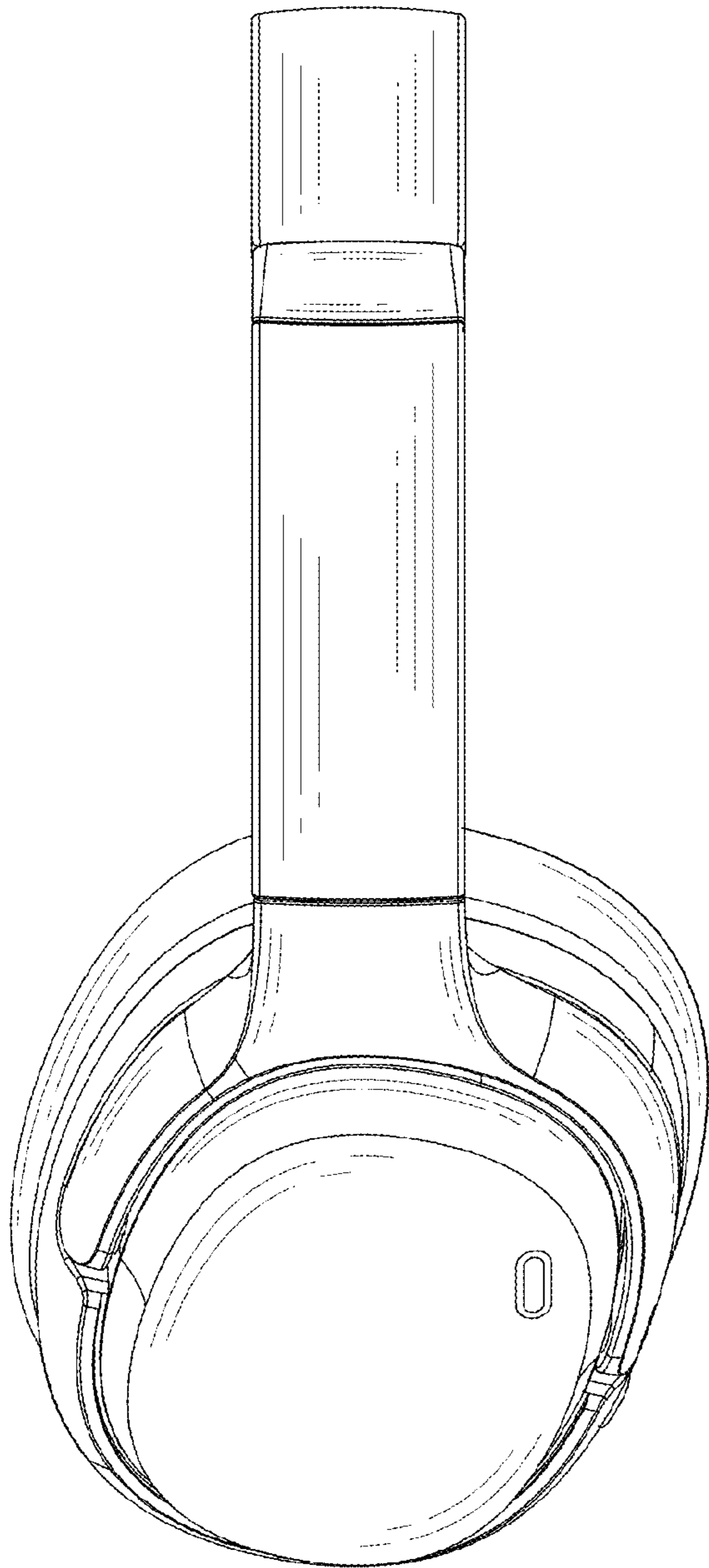


FIG. 4

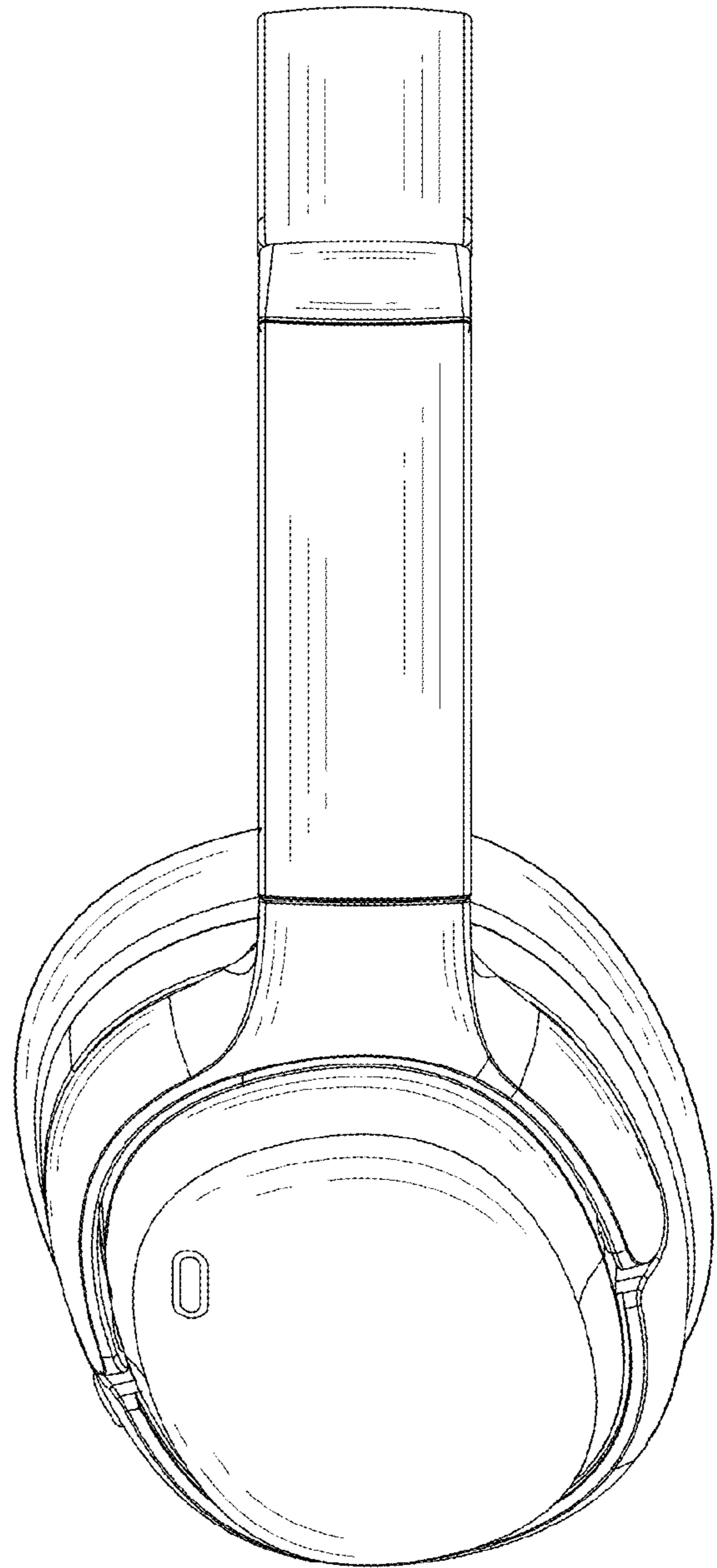


FIG. 5

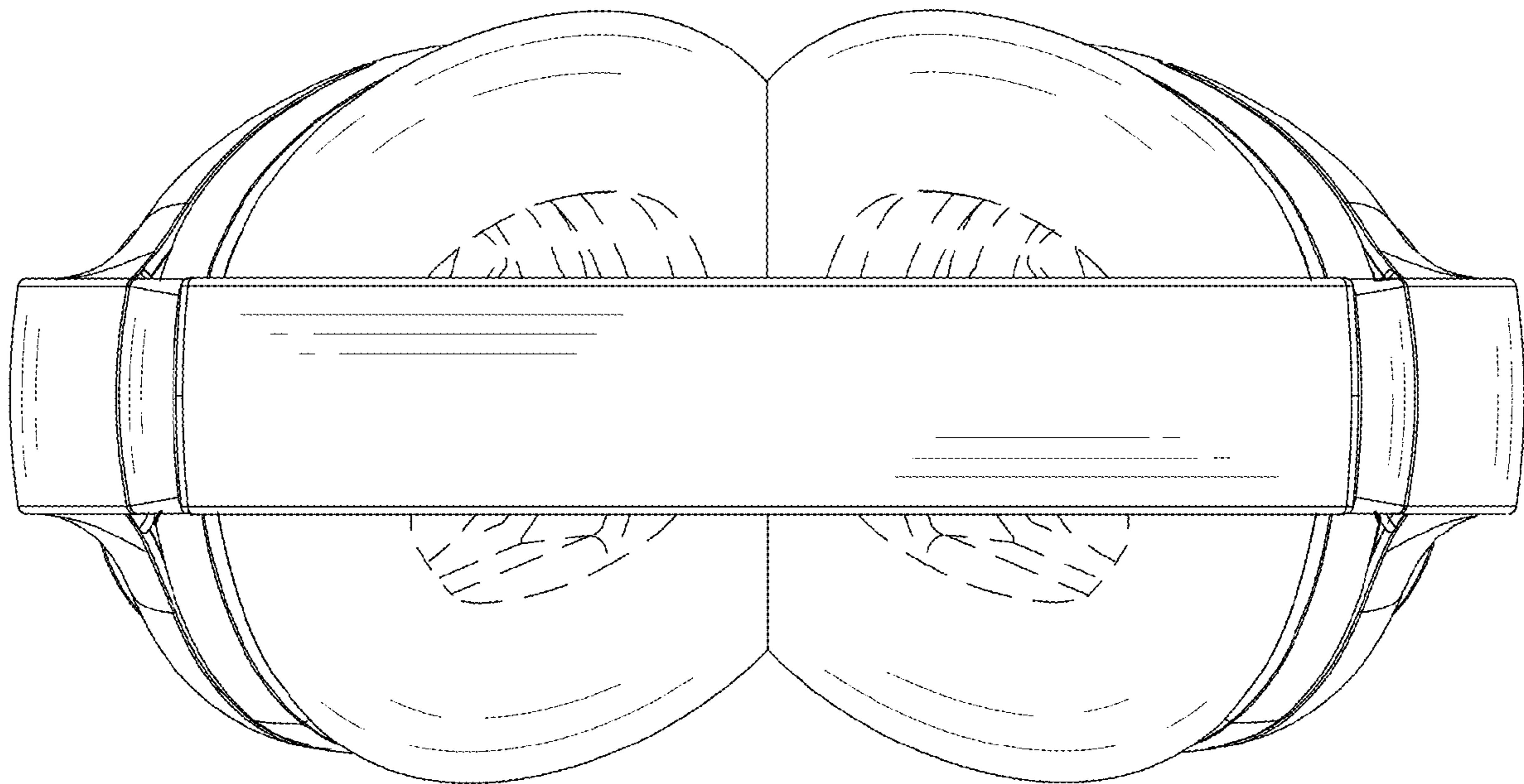


FIG. 6

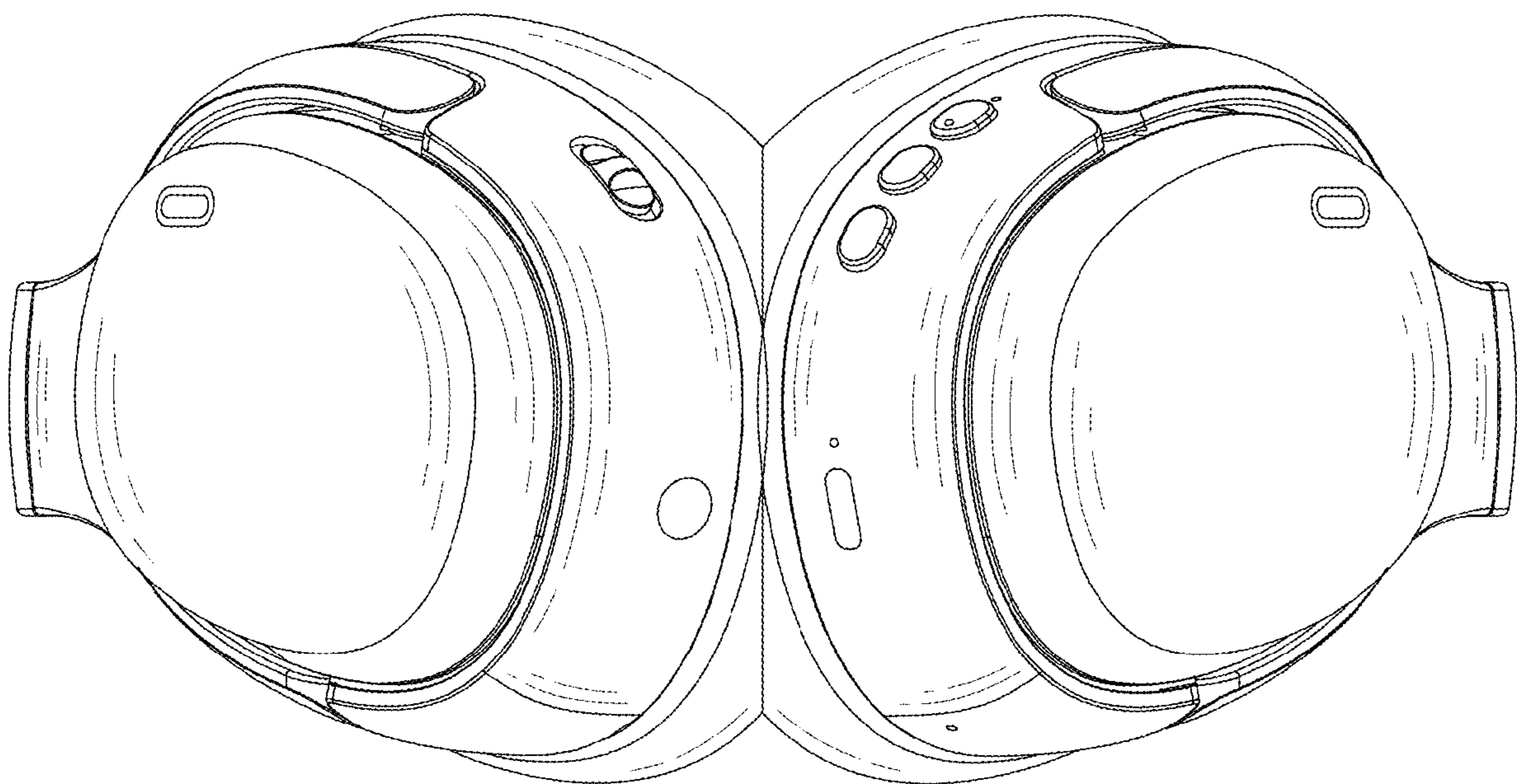


FIG. 7