

US00D964310S

(12) **United States Design Patent**
Zeng

(10) **Patent No.:** **US D964,310 S**

(45) **Date of Patent:** **** Sep. 20, 2022**

(54) **WIRELESS AUDIO**

(71) Applicant: **Shenzhen Airmart Technology Co., Ltd**, Guangdong (CN)

(72) Inventor: **Dejun Zeng**, Guangdong (CN)

(73) Assignee: **Shenzhen Airmart Technology Co., Ltd**, Shenzhen (CN)

(**) Term: **15 Years**

(21) Appl. No.: **29/740,564**

(22) Filed: **Jul. 6, 2020**

(30) **Foreign Application Priority Data**

Jan. 6, 2020 (CN) 202030005866.8

(51) **LOC (13) Cl.** **14-01**

(52) **U.S. Cl.**
USPC **D14/204**

(58) **Field of Classification Search**
USPC D14/167, 188, 195, 196
CPC H04R 1/025; H04R 1/02; H04R 3/00
See application file for complete search history.

(56) **References Cited**

U.S. PATENT DOCUMENTS

D256,237 S *	8/1980	Vong	D10/2
D319,830 S *	9/1991	Miyai	D14/165
D480,381 S *	10/2003	Harris	D14/188
D707,651 S *	6/2014	Tsai	D14/191
D813,198 S *	3/2018	Lin	D14/214
D873,232 S *	1/2020	Zeng	D14/155
D873,239 S *	1/2020	Zeng	D14/207

OTHER PUBLICATIONS

[Muzen Wild Mini Rugged Outdoor Speaker], available in Amazon.com, date first available Nov. 18, 2020 [online], [site visited Mar. 30, 2022], Available from the internet URL: <https://www.amazon.com/Muzen-Bluetooth-Portable-Wireless-Waterproof/dp/B08NT5K5KG> (Year: 2020).*

[Muzen Wild Mini: This mini speaker is WILD!], announced in YouTube on Sep. 22, 2020 [online], [site visited Mar. 30, 2022], Available from the internet URL: <https://www.youtube.com/watch?v=rq6RJaWlsT4> (Year: 2020).*

* cited by examiner

Primary Examiner — Khawaja Anwar

Assistant Examiner — Megan Tiana Rakos

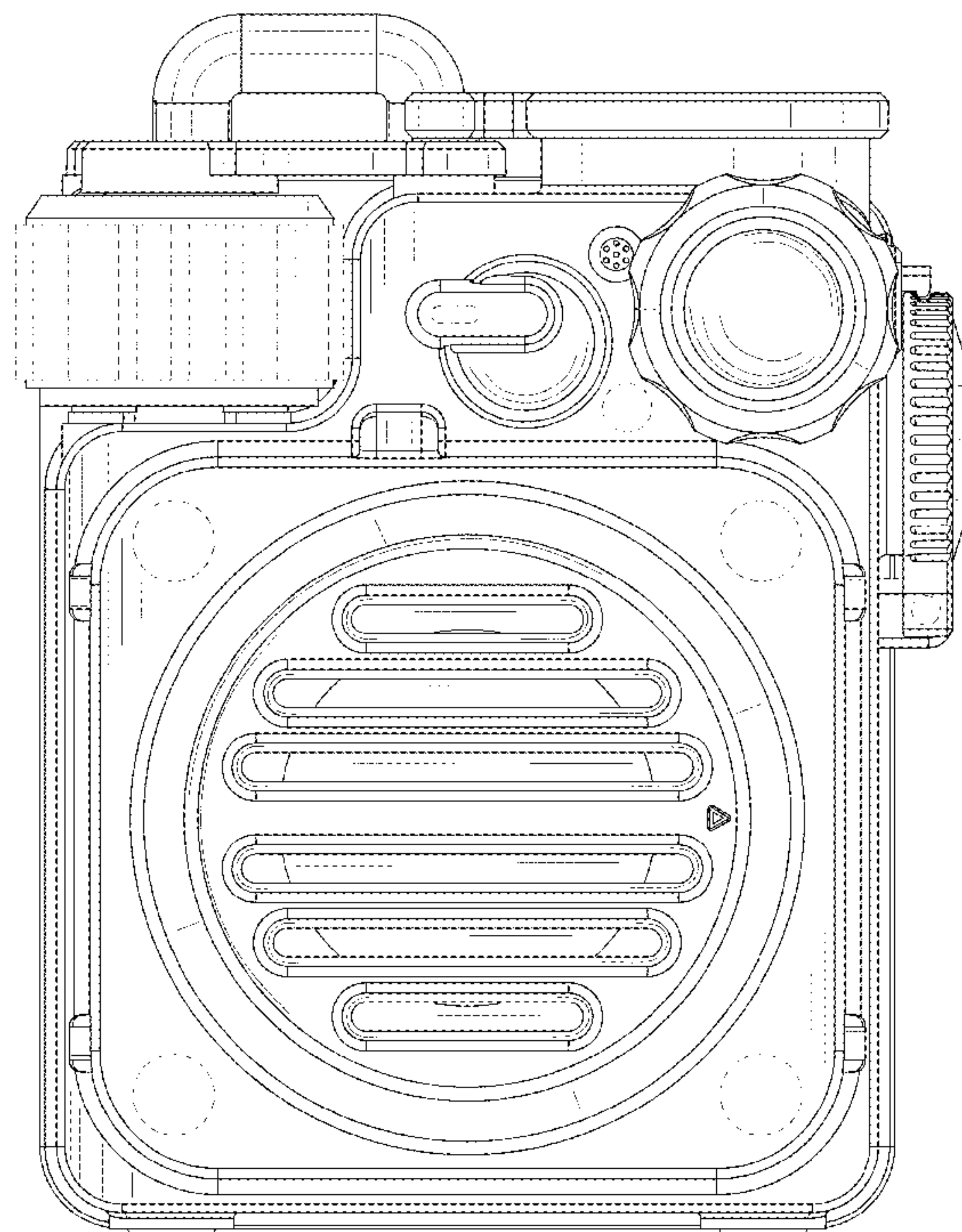
(57) **CLAIM**

The ornamental design for a wireless audio, as shown and described.

DESCRIPTION

FIG. 1 is a front elevational view of a wireless audio showing my new design;
FIG. 2 is a rear elevational view thereof;
FIG. 3 is a left side view thereof;
FIG. 4 is a right side view thereof;
FIG. 5 is a top plan view thereof;
FIG. 6 is a bottom plan view thereof;
FIG. 7 is a top, front and left side perspective view thereof;
FIG. 8 is a bottom, front and right side perspective view thereof; and,
FIG. 9 is a top, rear and left side perspective view thereof.
The broken lines in the drawings illustrate portions of the wireless audio which form no part of the claimed design.

1 Claim, 9 Drawing Sheets



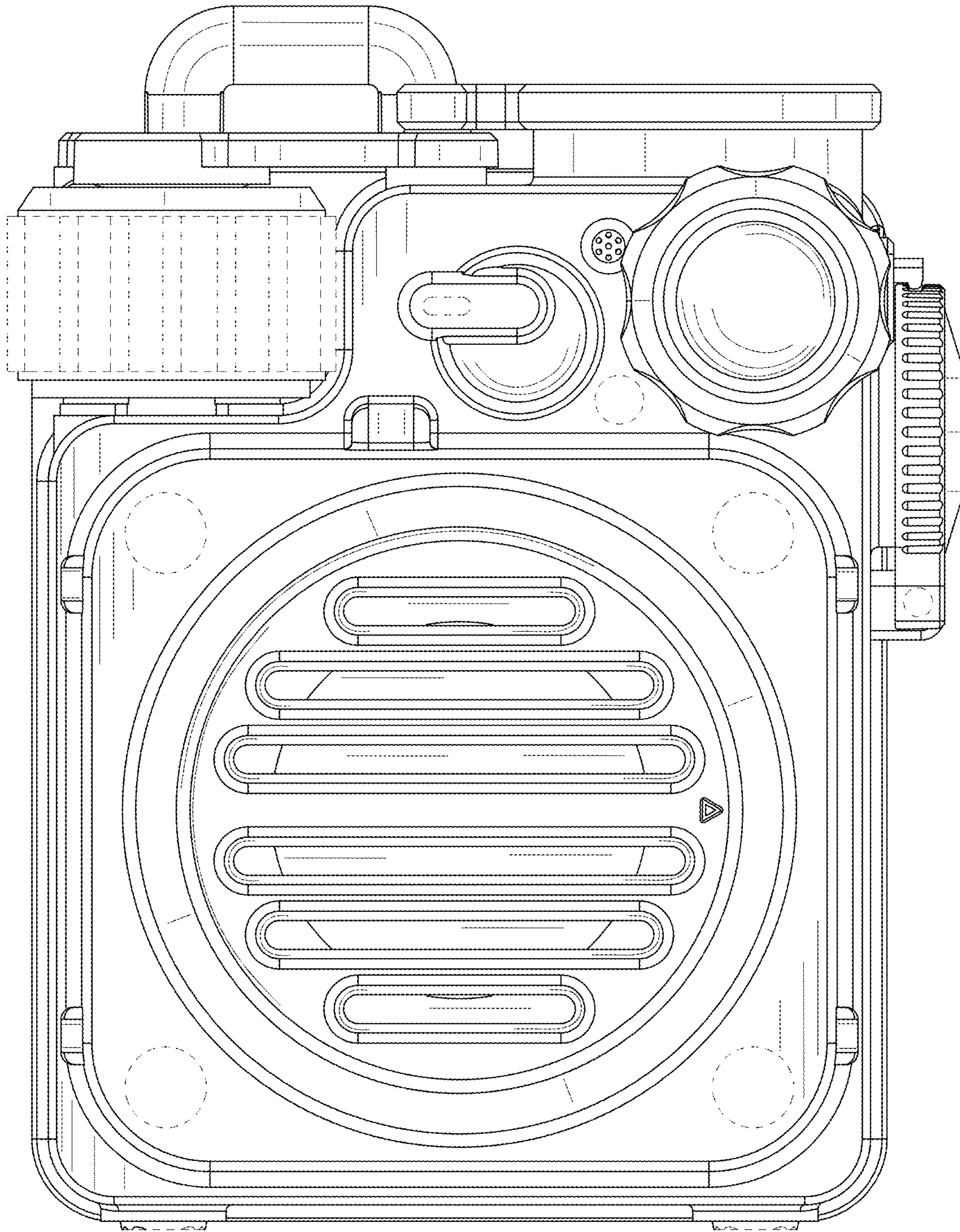


Fig 1

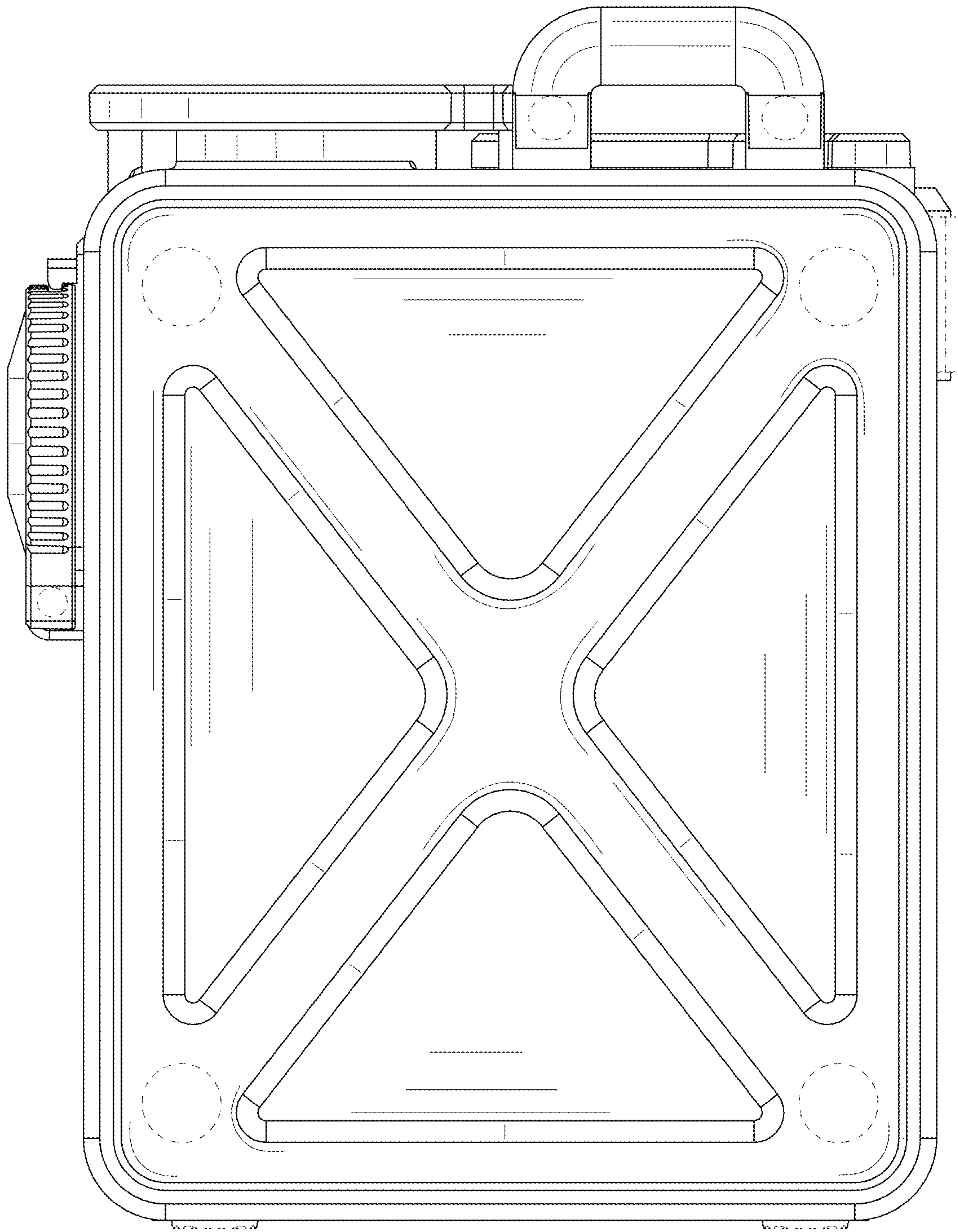


Fig 2

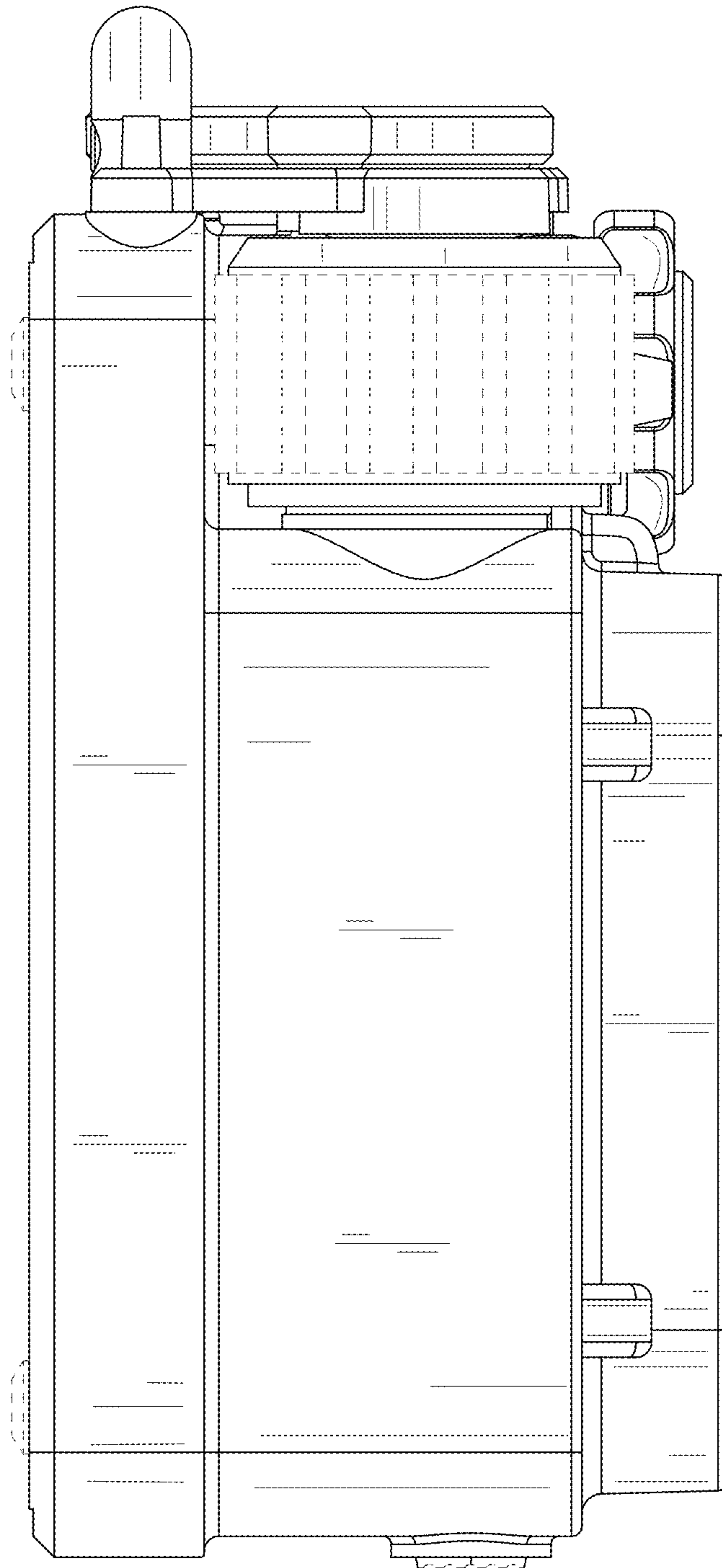


Fig 3

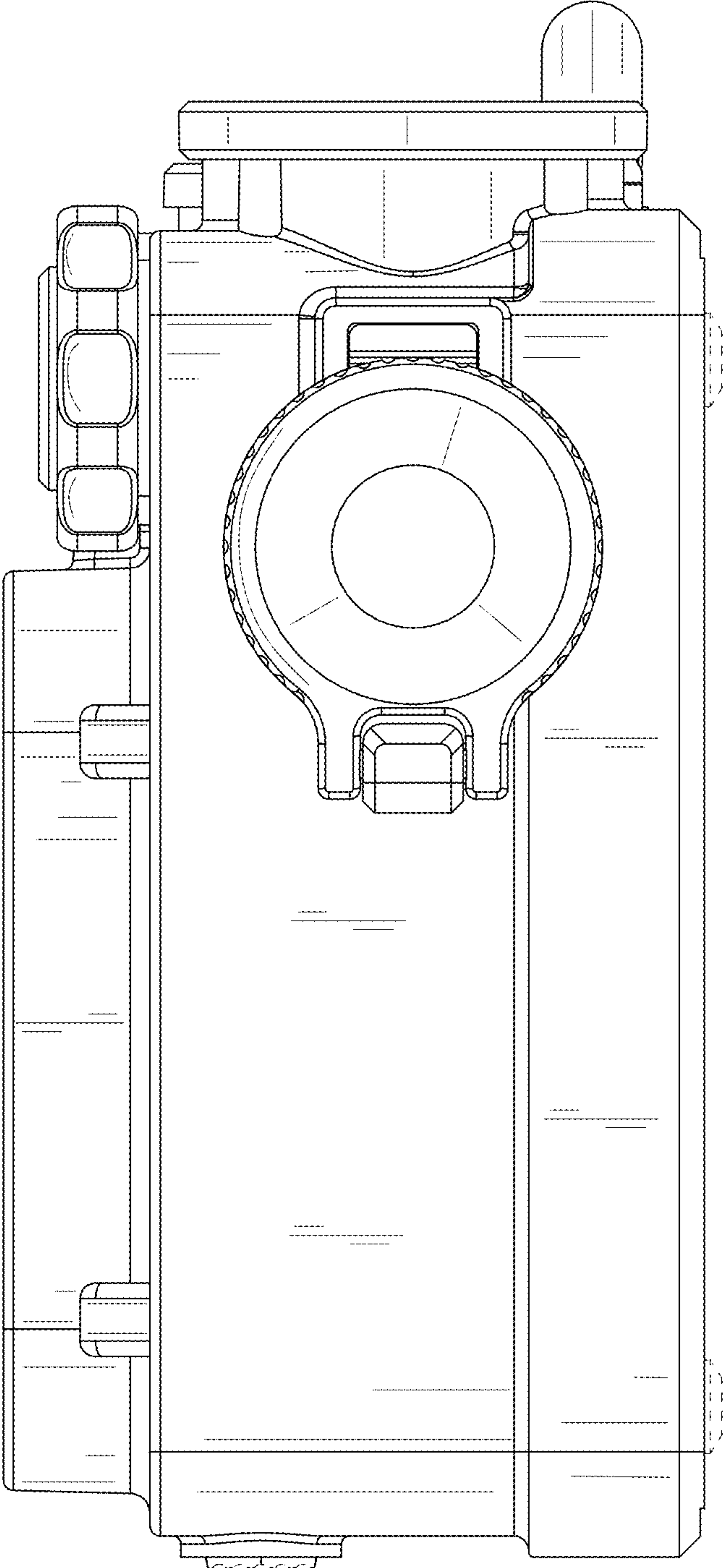


Fig 4

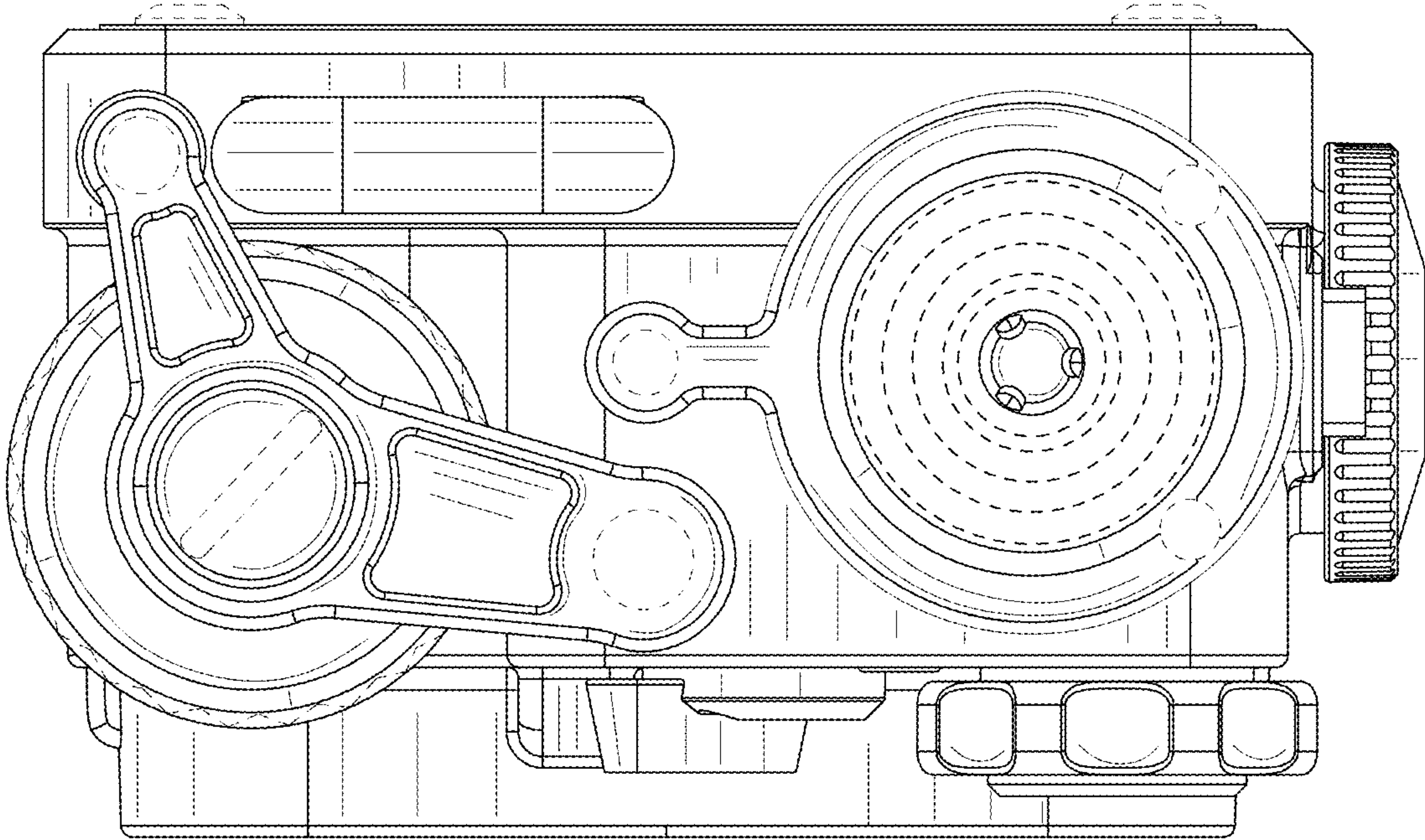


Fig 5

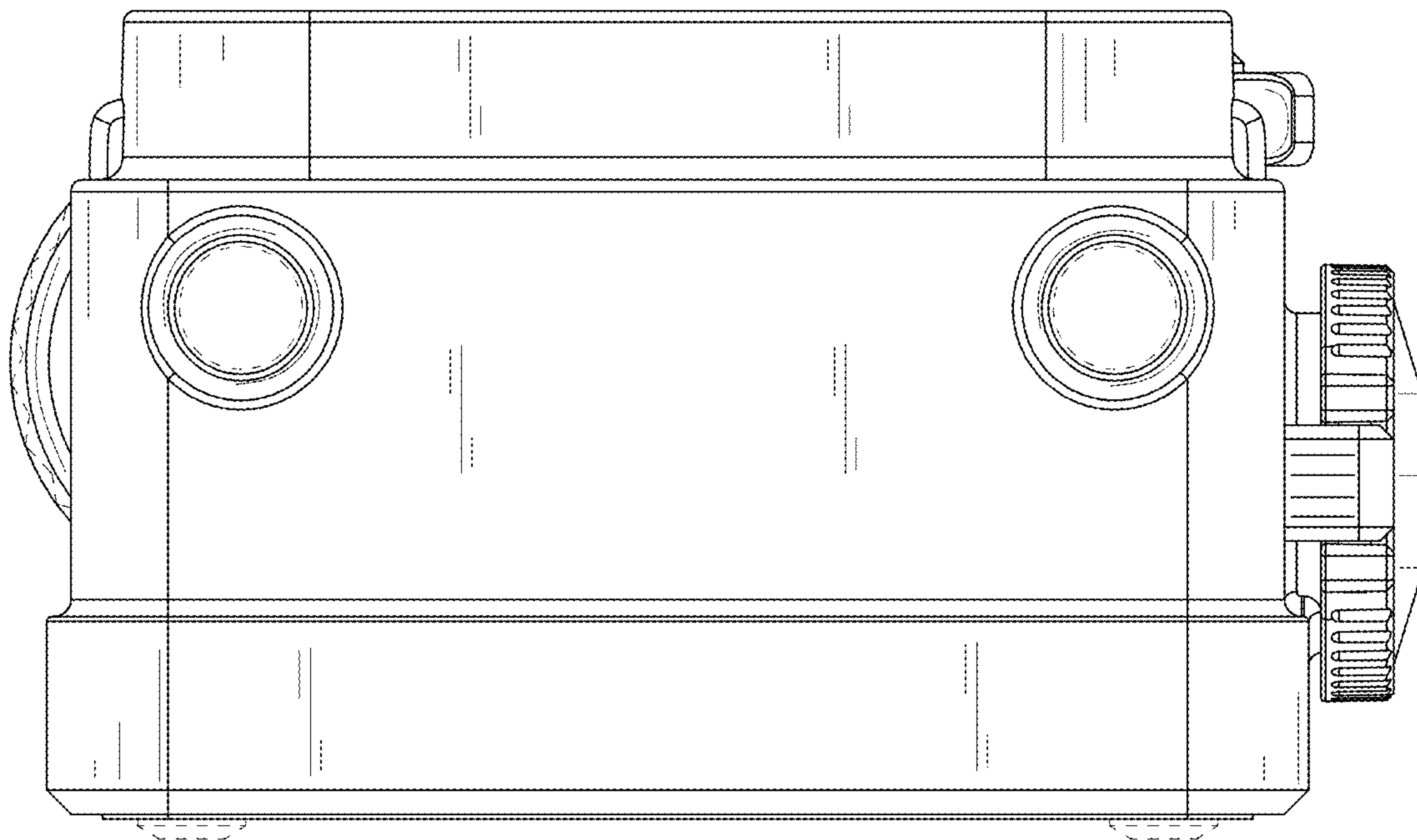


Fig 6

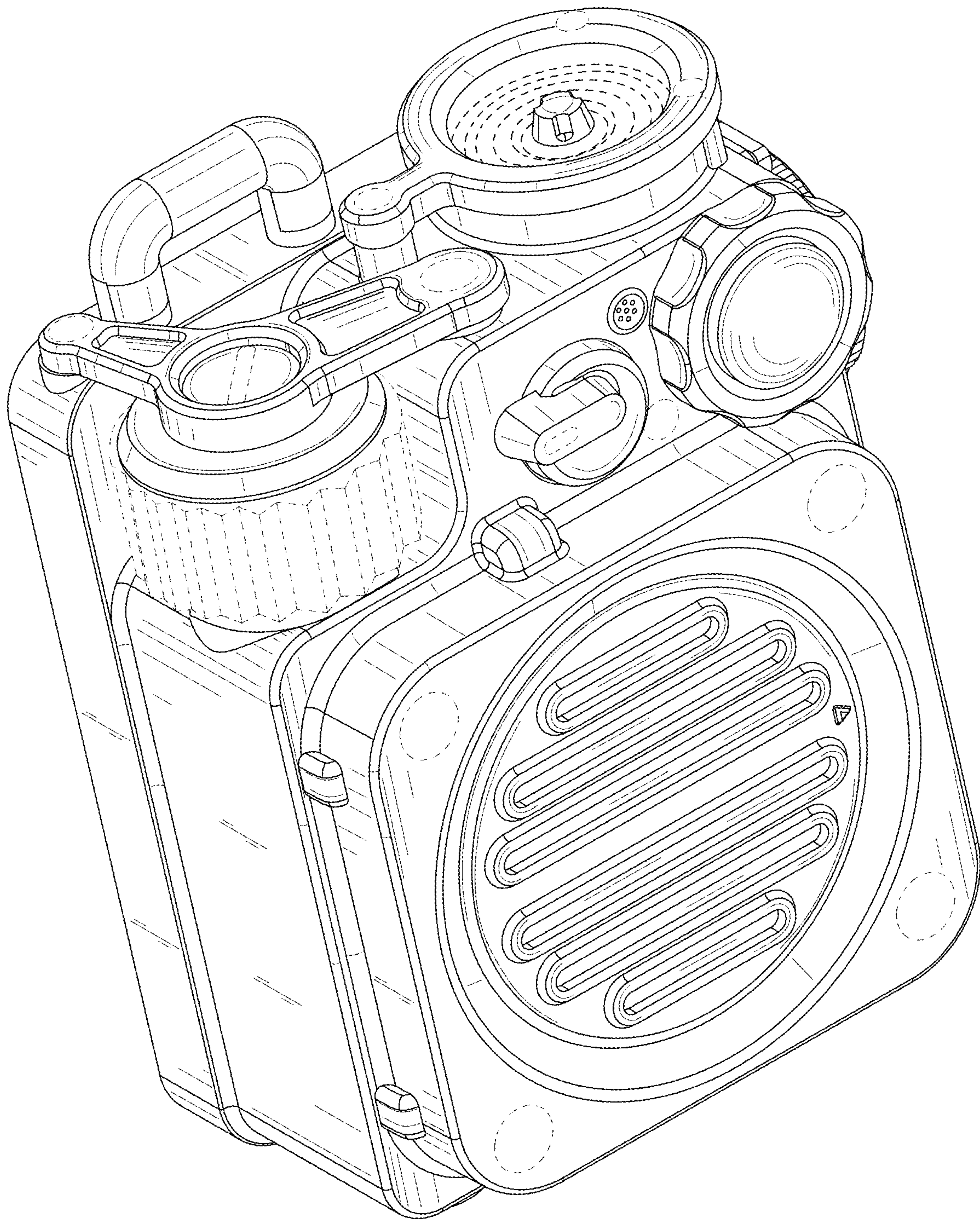


Fig 7

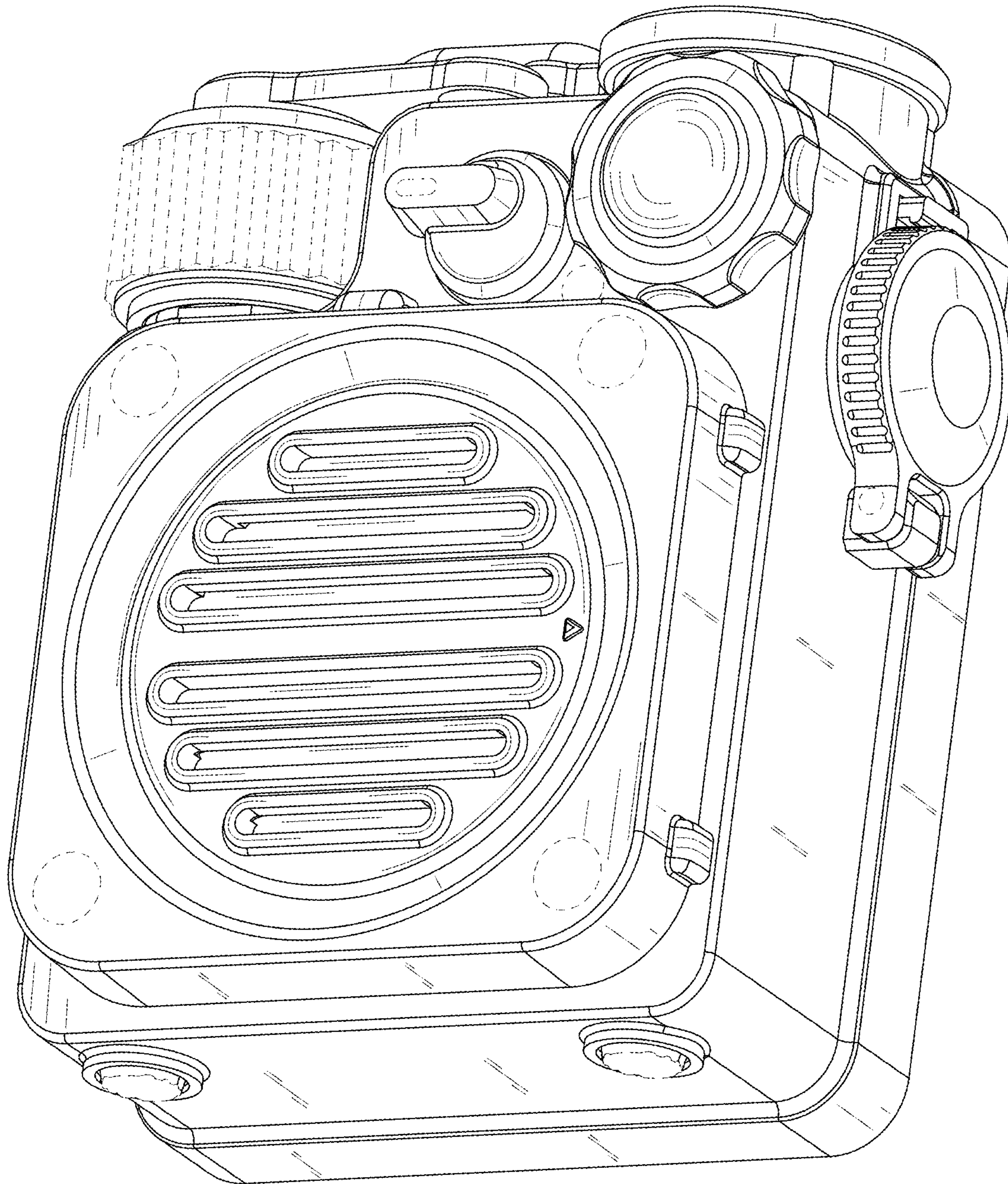


Fig 8

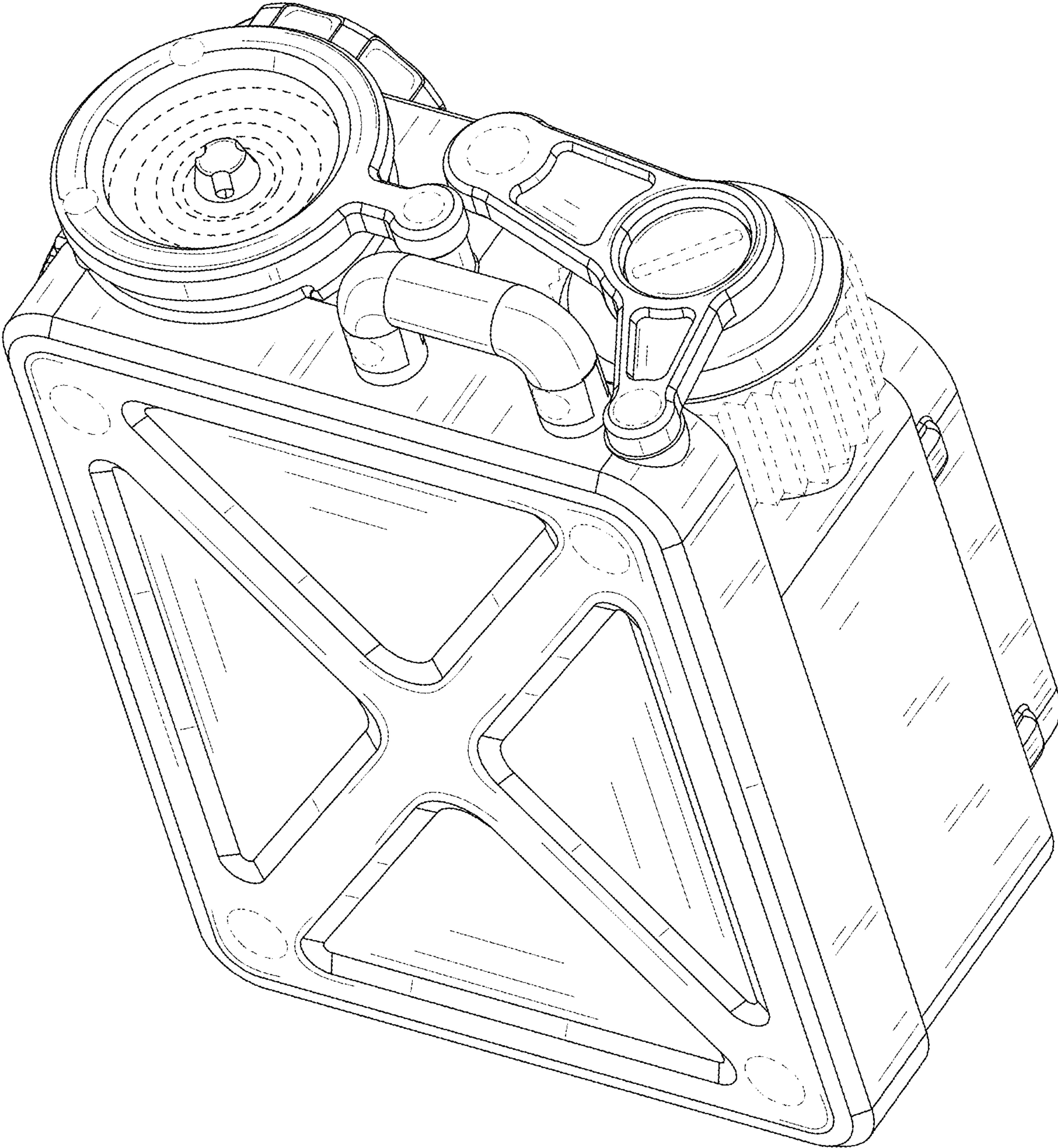


Fig 9