



US00D964309S

(12) **United States Design Patent** (10) **Patent No.:** **US D964,309 S**
Sugiyama et al. (45) **Date of Patent:** **** Sep. 20, 2022**

(54) **ELECTRONIC DEVICE**

(71) Applicant: **SONY CORPORATION**, Tokyo (JP)

(72) Inventors: **Naoki Sugiyama**, Tokyo (JP); **Shinpei Hirano**, Tokyo (JP); **Takuro Hibino**, Tokyo (JP)

(73) Assignee: **SONY CORPORATION**, Tokyo (JP)

(**) Term: **15 Years**

(21) Appl. No.: **29/683,818**

(22) Filed: **Mar. 15, 2019**

(30) **Foreign Application Priority Data**

Dec. 27, 2018 (CN) 201830775710.0
Dec. 27, 2018 (JP) D2018-028729
(Continued)

(51) **LOC (13) Cl.** **14-01**

(52) **U.S. Cl.**
USPC **D14/204**; D14/216

(58) **Field of Classification Search**
USPC D14/155–159, 160–173, 187–188,
D14/203.1–203.8, 204–216, 217–222,
(Continued)

(56) **References Cited**

U.S. PATENT DOCUMENTS

D442,942 S 5/2001 Tsuge
D464,918 S * 10/2002 Niitsu D12/122
(Continued)

FOREIGN PATENT DOCUMENTS

CN 301271673 S 6/2010
EM 002430223-0001 S 3/2014
(Continued)

OTHER PUBLICATIONS

All the new Sony Extra Bassspeakers just announced, Jan. 7, 2019,
[retrieved Jul. 15, 2021], Retrieved from Internet, URL: <https://

www.cnet.com/tech/home-entertainment/sony-extra-bass-bluetooth-speakers-ces-2019/> (Year: 2019).*

(Continued)

Primary Examiner — Barbara Fox

Assistant Examiner — Aram Kwon

(74) *Attorney, Agent, or Firm* — Michael Best and Friedrich LLP

(57) **CLAIM**

The ornamental design for an electronic device, as shown and described.

DESCRIPTION

FIG. 1 is a front, top, right perspective view of a first embodiment of an electronic device showing our new design;

FIG. 2 is a rear, top, left perspective view thereof;

FIG. 3 is a front elevational view thereof;

FIG. 4 is a rear elevational view thereof;

FIG. 5 is a right side elevational view thereof;

FIG. 6 is a left side elevational view thereof; and

FIG. 7 is a top plan view thereof.

FIG. 8 is an enlarged front elevational view of the electronic device along the lines 8-8 and 8'-8' of FIG. 3;

FIG. 9 is an enlarged front elevational view of the electronic device along the lines 9-9 and 9'-9' of FIG. 3; and

FIG. 10 is an enlarged rear elevational view of the electronic device along the lines 10-10 and 10'-10' of FIG. 4;

FIG. 11 is a front, top, right perspective view of a second embodiment of an electronic device showing our new design;

FIG. 12 is a rear, top, left perspective view thereof;

FIG. 13 is a front elevational view thereof;

FIG. 14 is a rear elevational view thereof;

FIG. 15 is a right side elevational view thereof;

FIG. 16 is a left side elevational view thereof; and

FIG. 17 is a top plan view thereof.

FIG. 18 is an enlarged front elevational view of the electronic device along the lines 18-18 and 18'-18' of FIG. 13; and

(Continued)

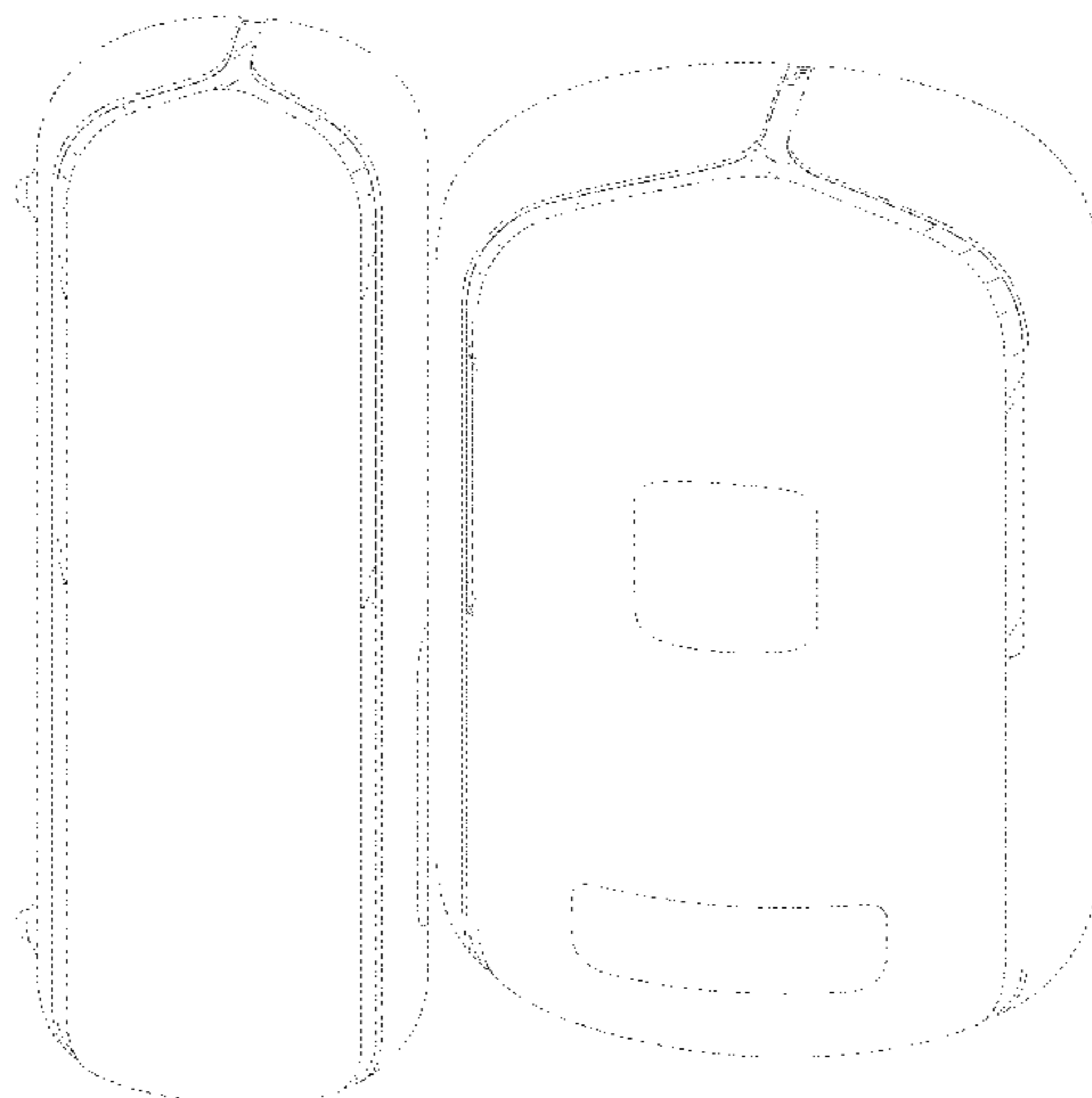


FIG. 19 is an enlarged front elevational view of the electronic device along the lines 19-19 and 19'-19' of FIG. 13; and, FIG. 20 is an enlarged rear elevational view of the electronic device along the lines 20-20 and 20'-20' of FIG. 14. The broken lines illustrating portions of the electronic device form no part of the claimed design. The dot-dash broken lines defining the boundaries of the claimed design form no part of the claimed design. The dashed broken lines surrounding portions of the electronic device illustrated in the enlarged views in FIGS. 8-10 and 18-20 form no part of the claimed design.

1 Claim, 14 Drawing Sheets

(30) **Foreign Application Priority Data**

Dec. 27, 2018 (JP) D2018-028730
 Dec. 27, 2018 (JP) D2018-028731
 Dec. 27, 2018 (JP) D2018-028732
 Dec. 28, 2018 (CN) 201830775724.2

(58) **Field of Classification Search**

USPC D14/225-229, 496, 498, 507, 189-198;
 D16/200-203
 CPC H04R 1/02; H04R 1/021; H04R 1/025;
 H04R 1/026; H04R 1/028; H04R 1/06;
 H04R 1/105; H04R 1/323; H04R 1/403;
 H04R 1/2803; H04R 1/2834

See application file for complete search history.

(56) **References Cited**

U.S. PATENT DOCUMENTS

D475,359 S * 6/2003 Hirose D14/480.1
 D488,435 S * 4/2004 Hirano D13/103
 D491,166 S 6/2004 Hakoda

D569,072 S * 5/2008 Osiecki D99/28
 D645,446 S 9/2011 Cheng et al.
 D708,837 S * 7/2014 Lee D3/201
 D726,192 S * 4/2015 Massucco D14/440
 D727,915 S * 4/2015 Mecchella D14/440
 D728,579 S * 5/2015 Mecchella D14/440
 D772,234 S * 11/2016 Massucco D14/440
 D875,735 S * 2/2020 Buechin G06F 1/16
 D14/440
 D890,119 S * 7/2020 Demin D14/204
 D911,307 S * 2/2021 Sugiyama D14/214
 2013/0043148 A1 * 2/2013 Chen B65D 61/00
 206/45.23

FOREIGN PATENT DOCUMENTS

JP D1431462 S 1/2012
 JP D1644762 * 11/2019
 JP D1645129 * 11/2019
 JP D1645130 * 11/2019
 JP D1645131 * 11/2019
 KR 30-0954091 S 4/2018
 KR 30-0954092 S 4/2018

OTHER PUBLICATIONS

SonyXB402M Smart Speaker, date first available: Feb. 1, 2020, [retrieved Jul. 15, 2021], Retrieved from Internet, URL: <https://www.amazon.com/Sony-Speaker-Powerful-Bluetooth-Exclusive/dp/B07YDKFXLV/ref=asc_df_B07YDKFXLV/?tag=hyprod-20&linkCode=df0&h%E2%80%A6> (Year: 2020).*

Sony SRS XB402M speaker review:, Aug. 16, 2019, [retrieved Jul. 15, 2021], Retrieved from Internet, URL: <https://www.business-standard.com/article/technology/sony-srs-xb402m-speaker-review-the-smart-speaker-that-listens-to-you-119081200025_1.html> (Year: 2019).*

XB32 Extra Bass™ Portable Wireless Speaker, review date: Aug. 5, 2019, [retrieved Jul. 15, 2021], Retrieved from Internet, URL: <<https://www.sony.com/lr/electronics/wireless-speakers/srs-xb32>> (Year: 2019).*

* cited by examiner

Fig. 1

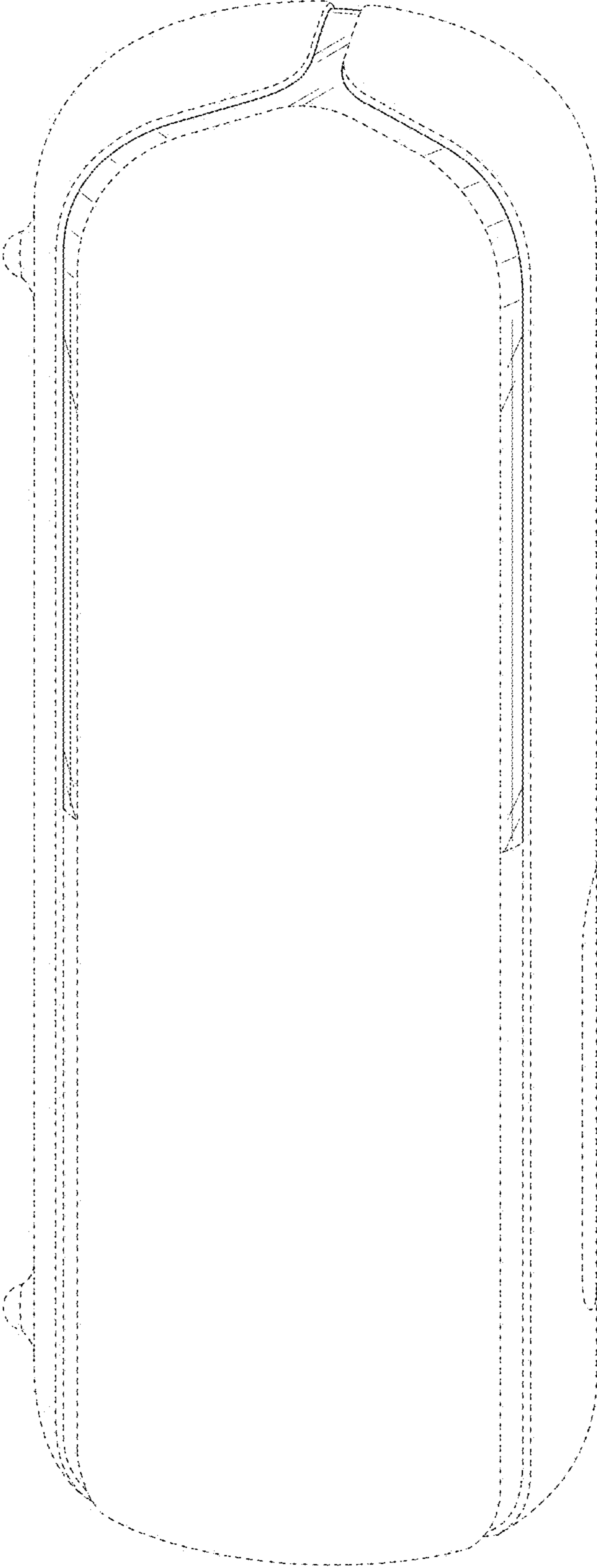


Fig.2

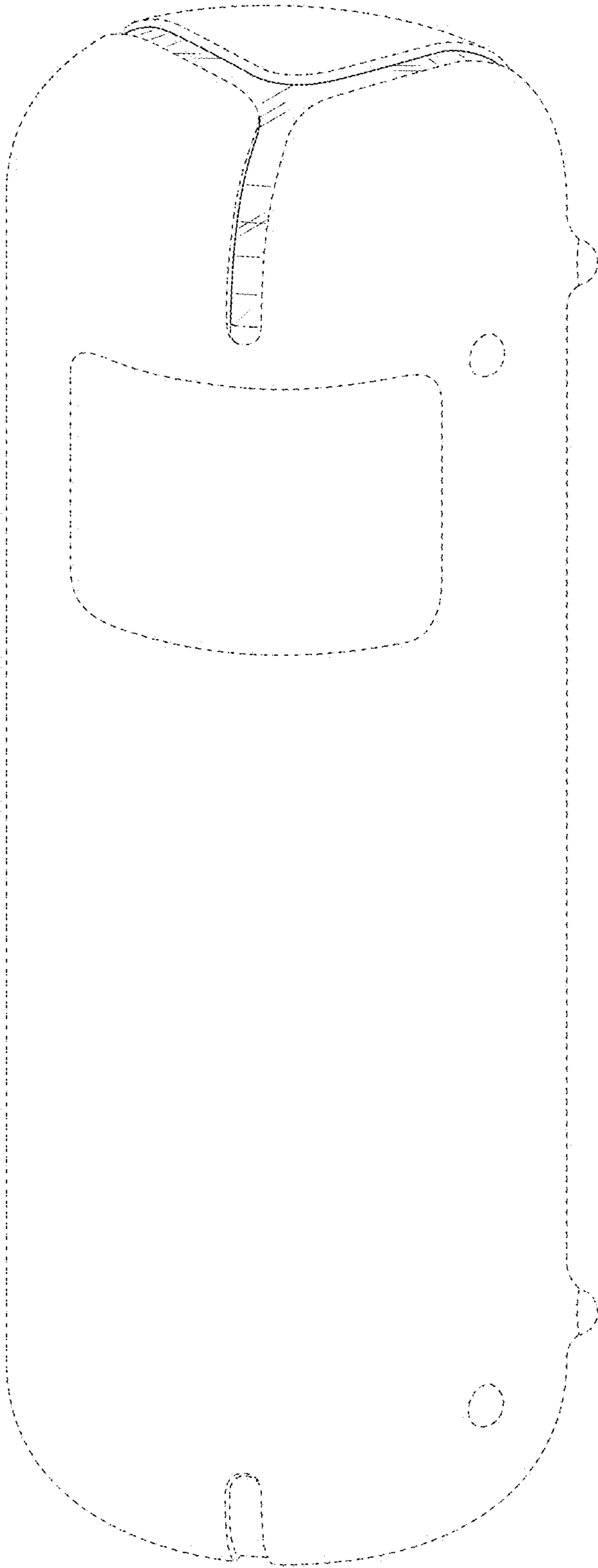


Fig.3

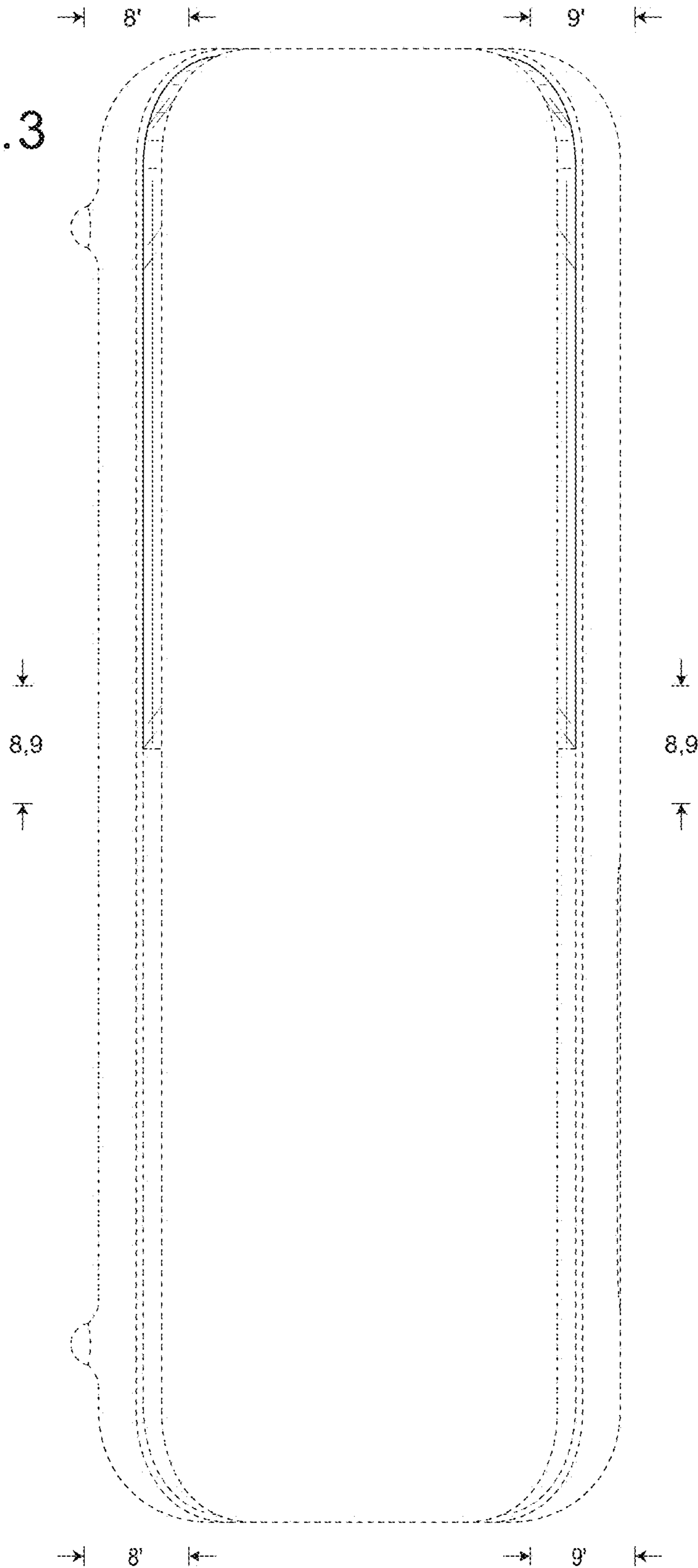


Fig.4

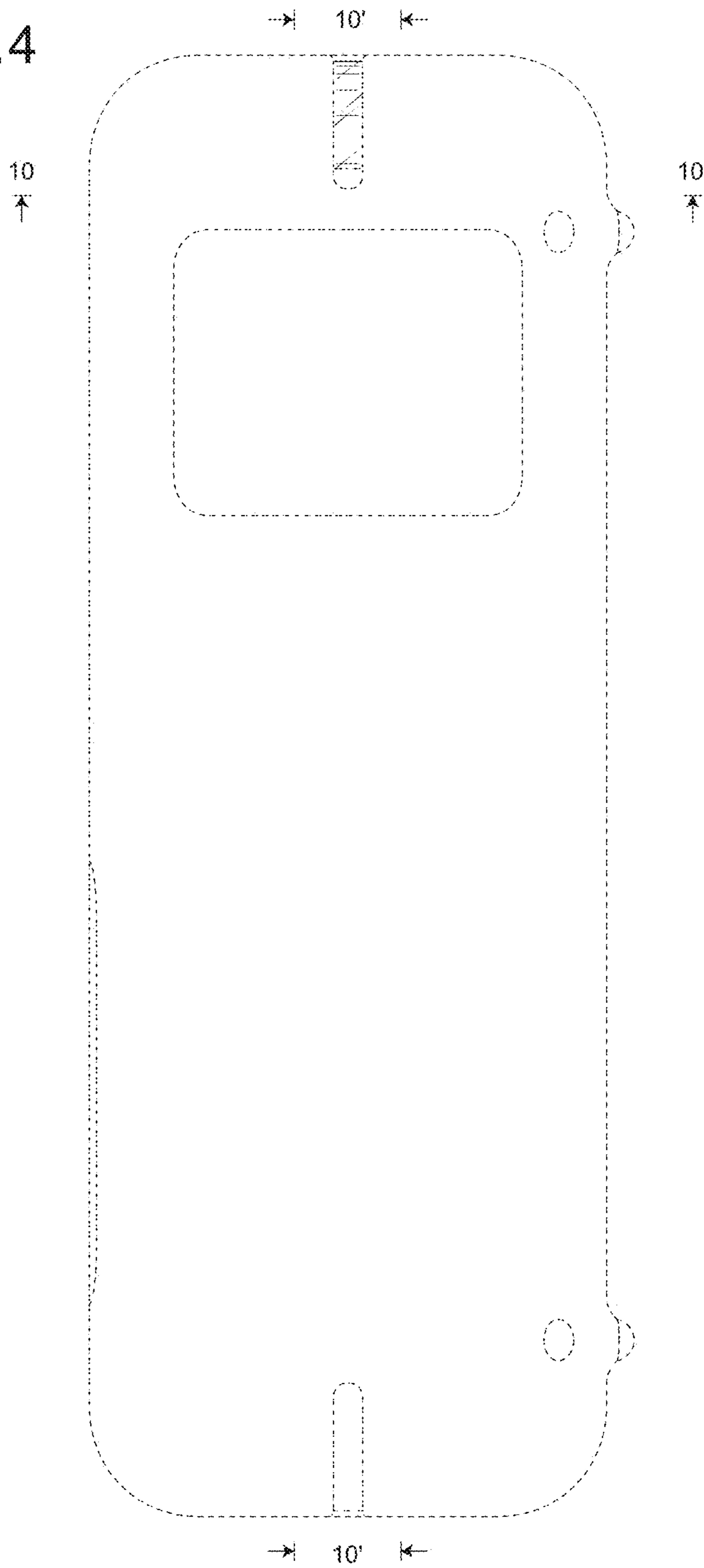


Fig.5

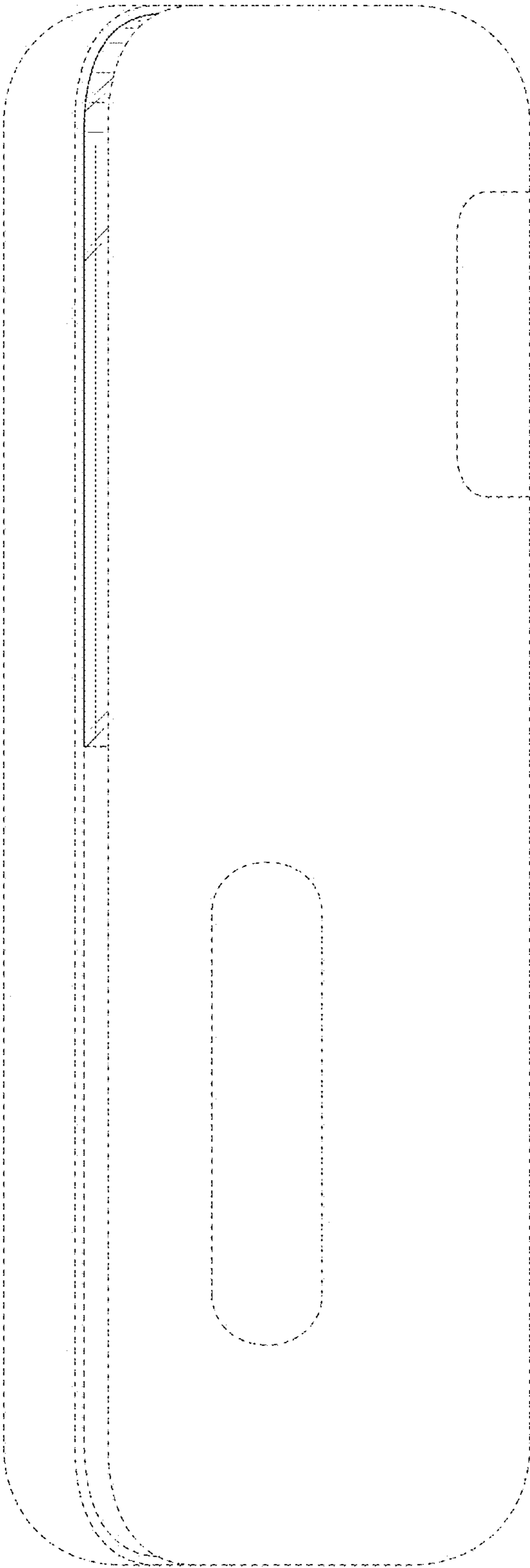


Fig.6

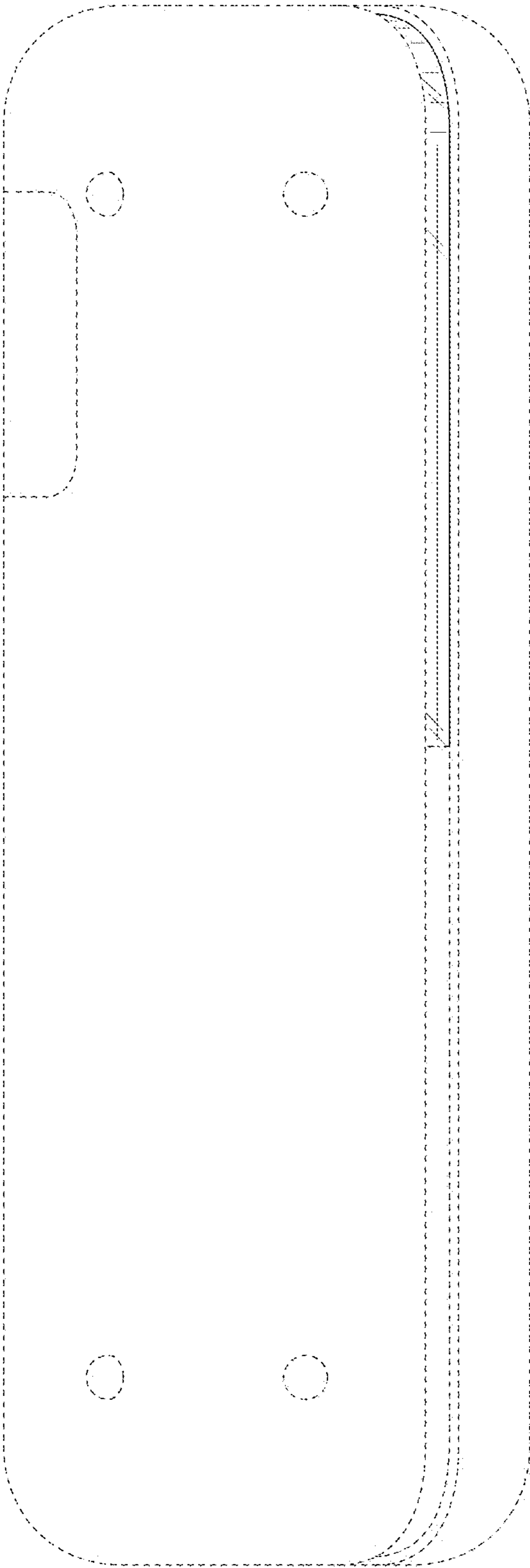


Fig.7

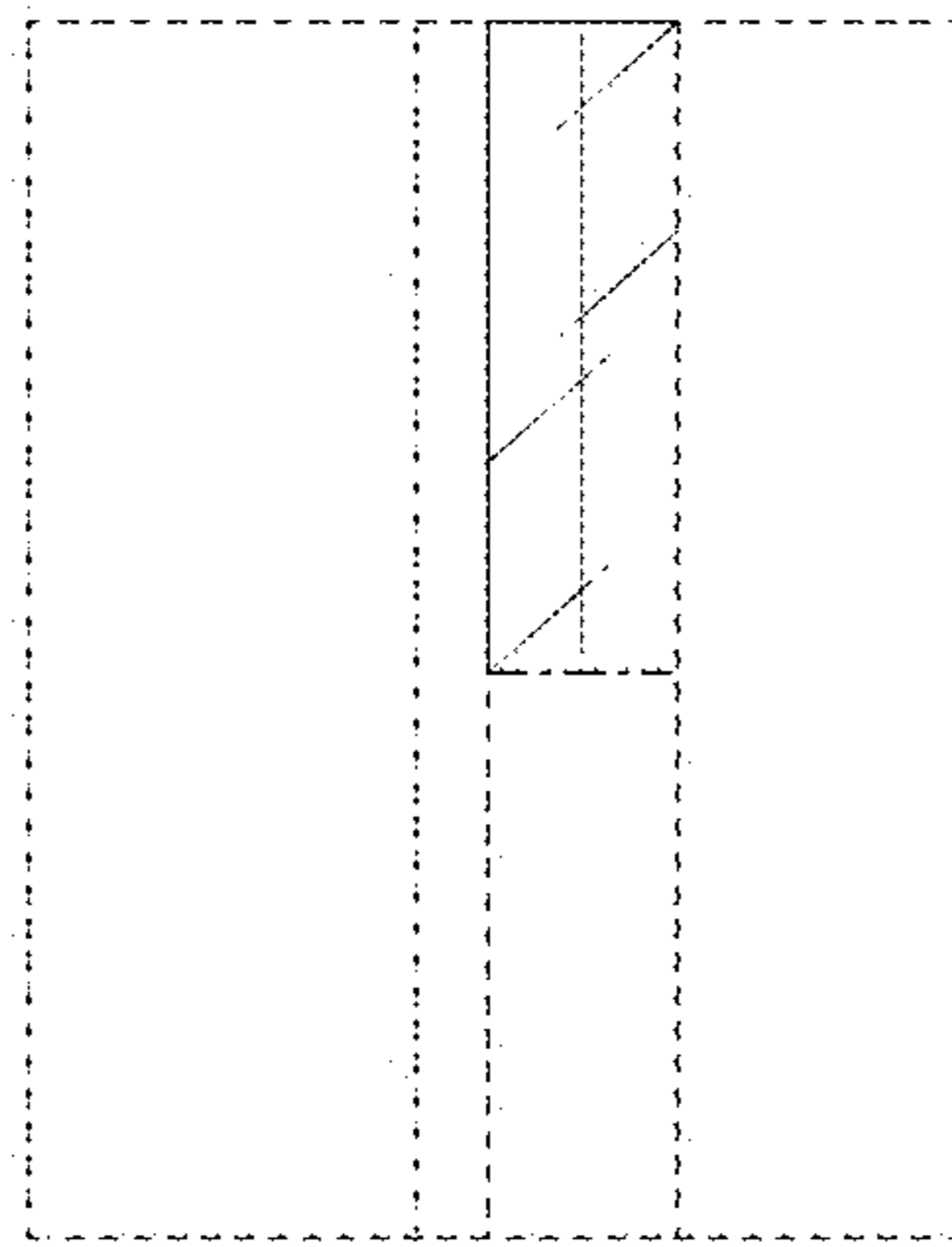
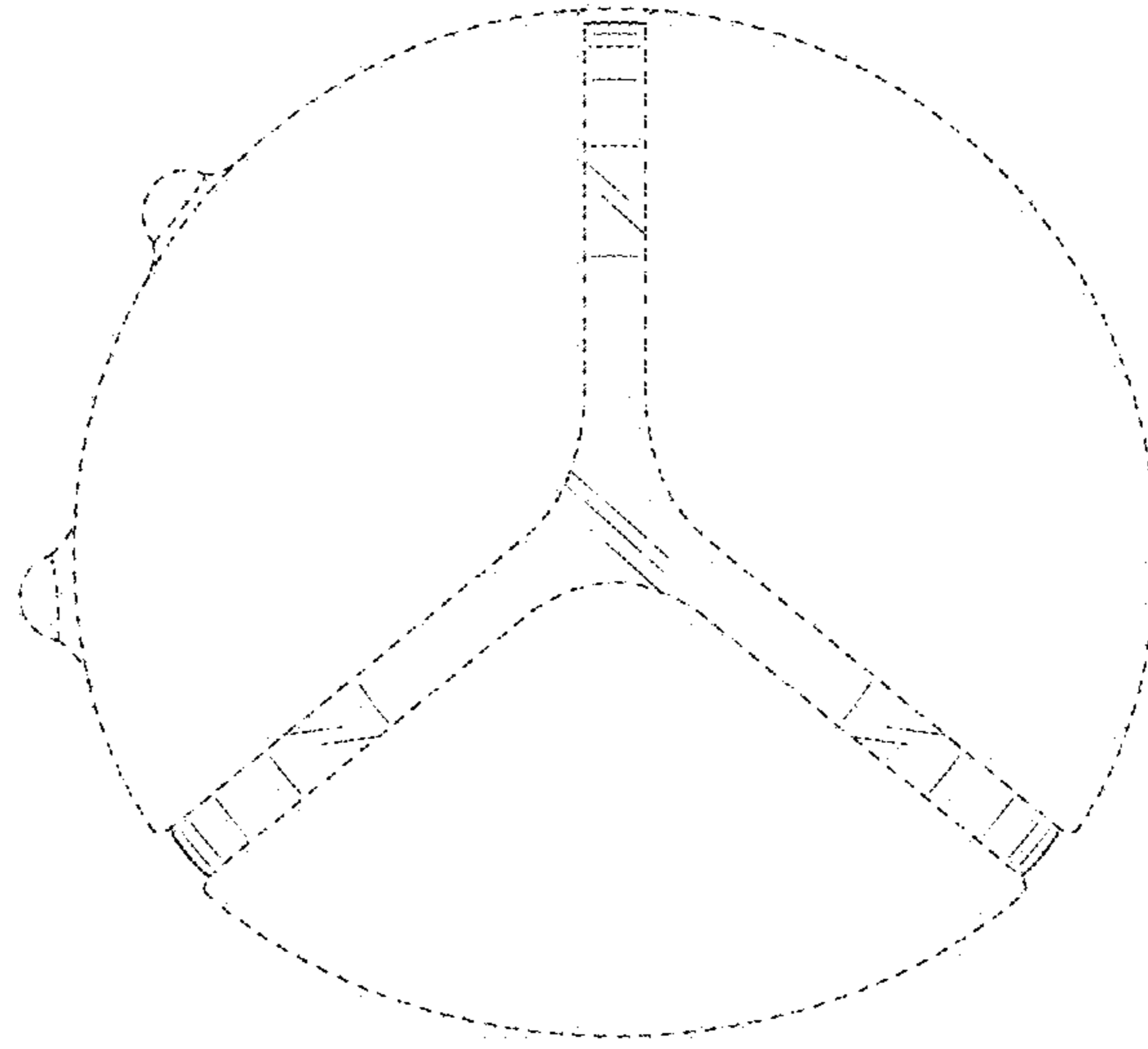


Fig.8

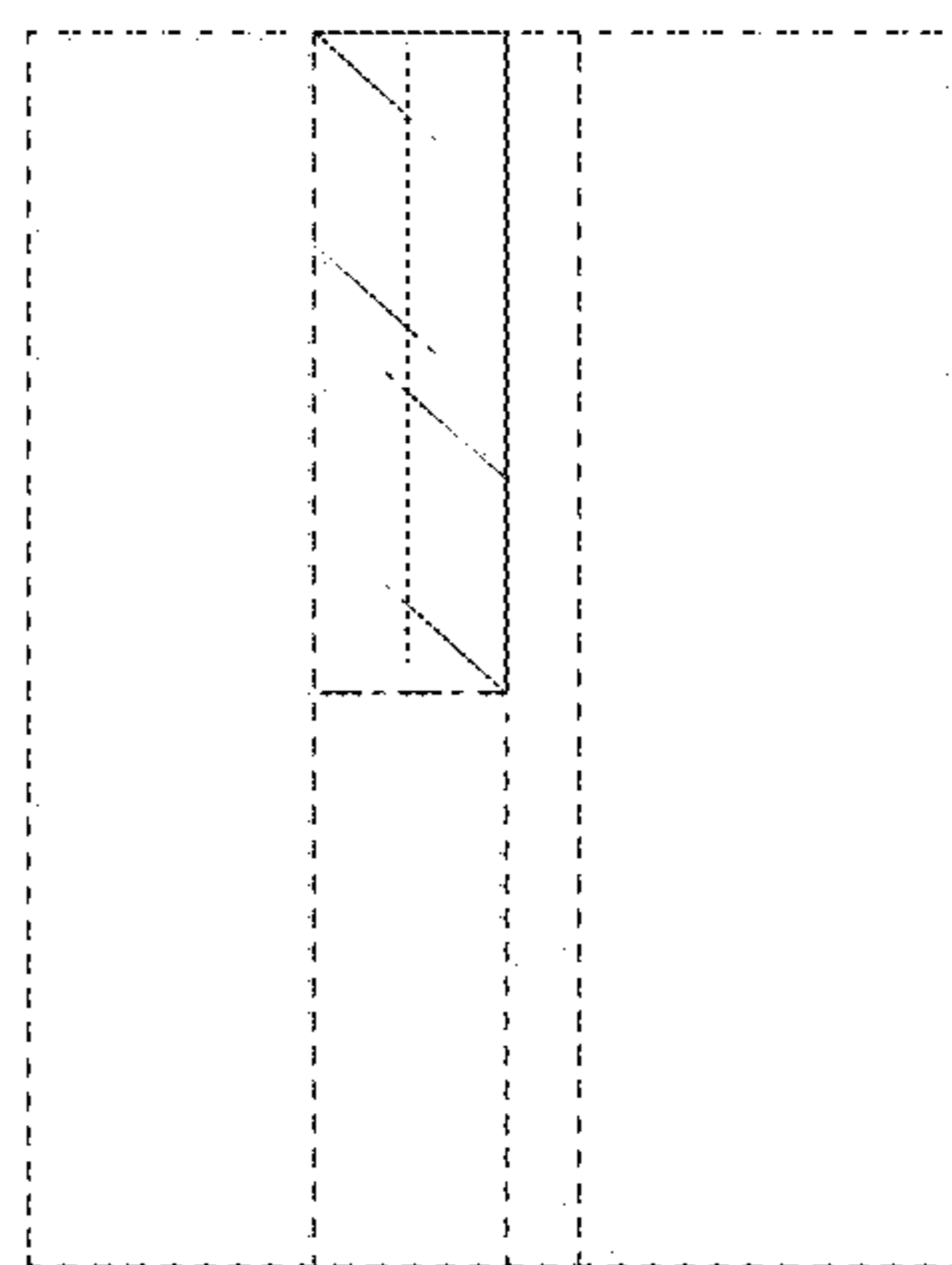


Fig.9

Fig.10

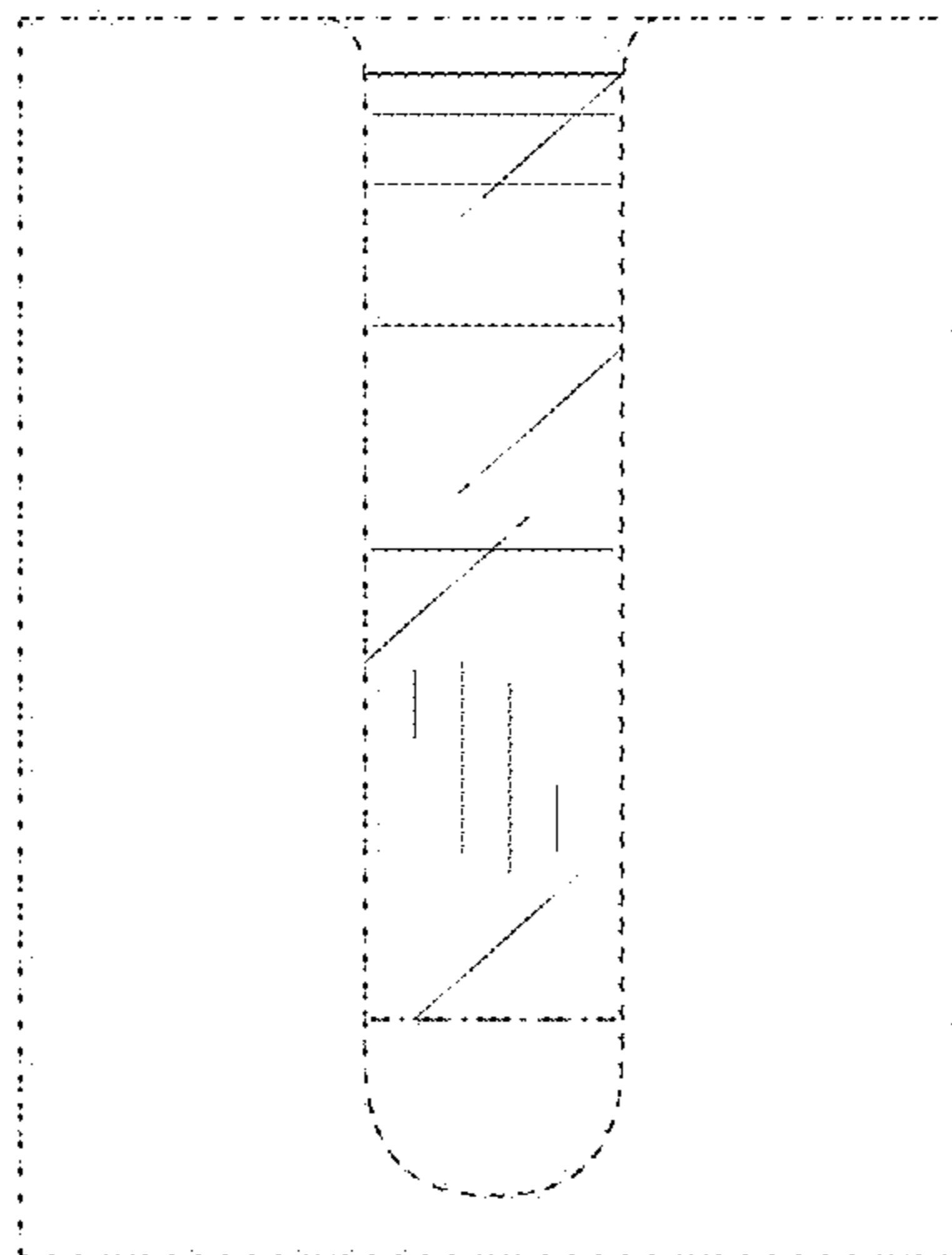


Fig.11

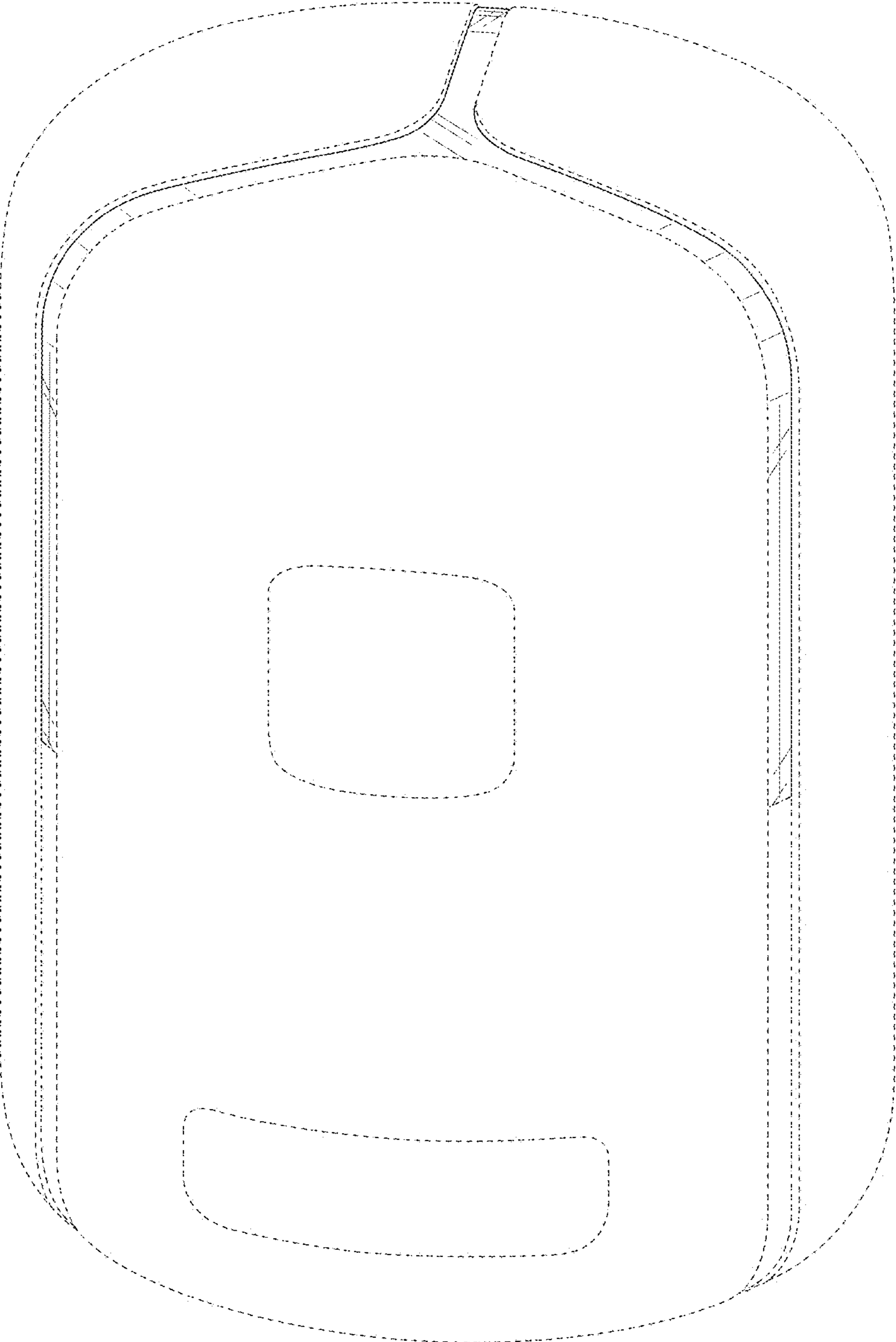


Fig.12

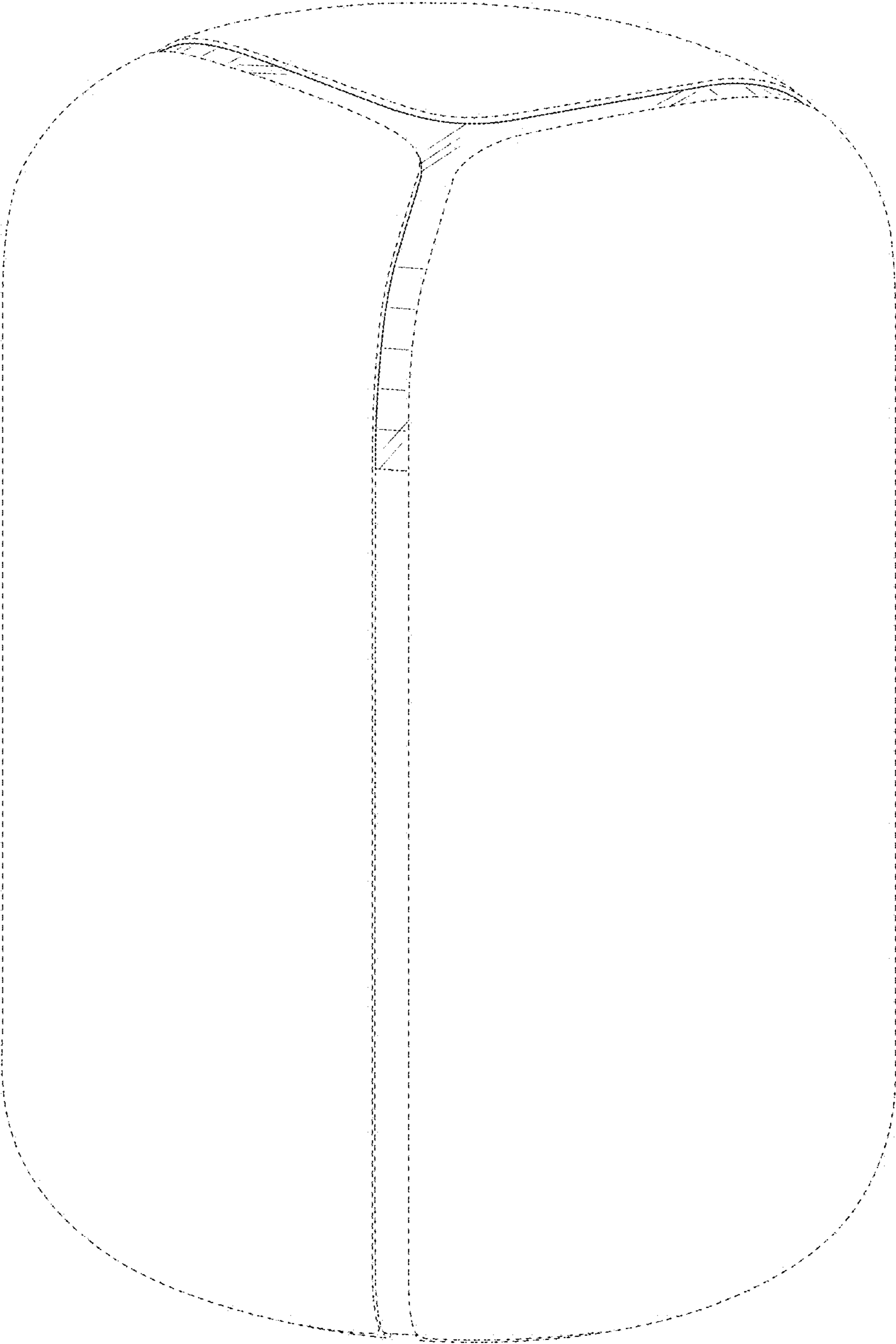


Fig. 13

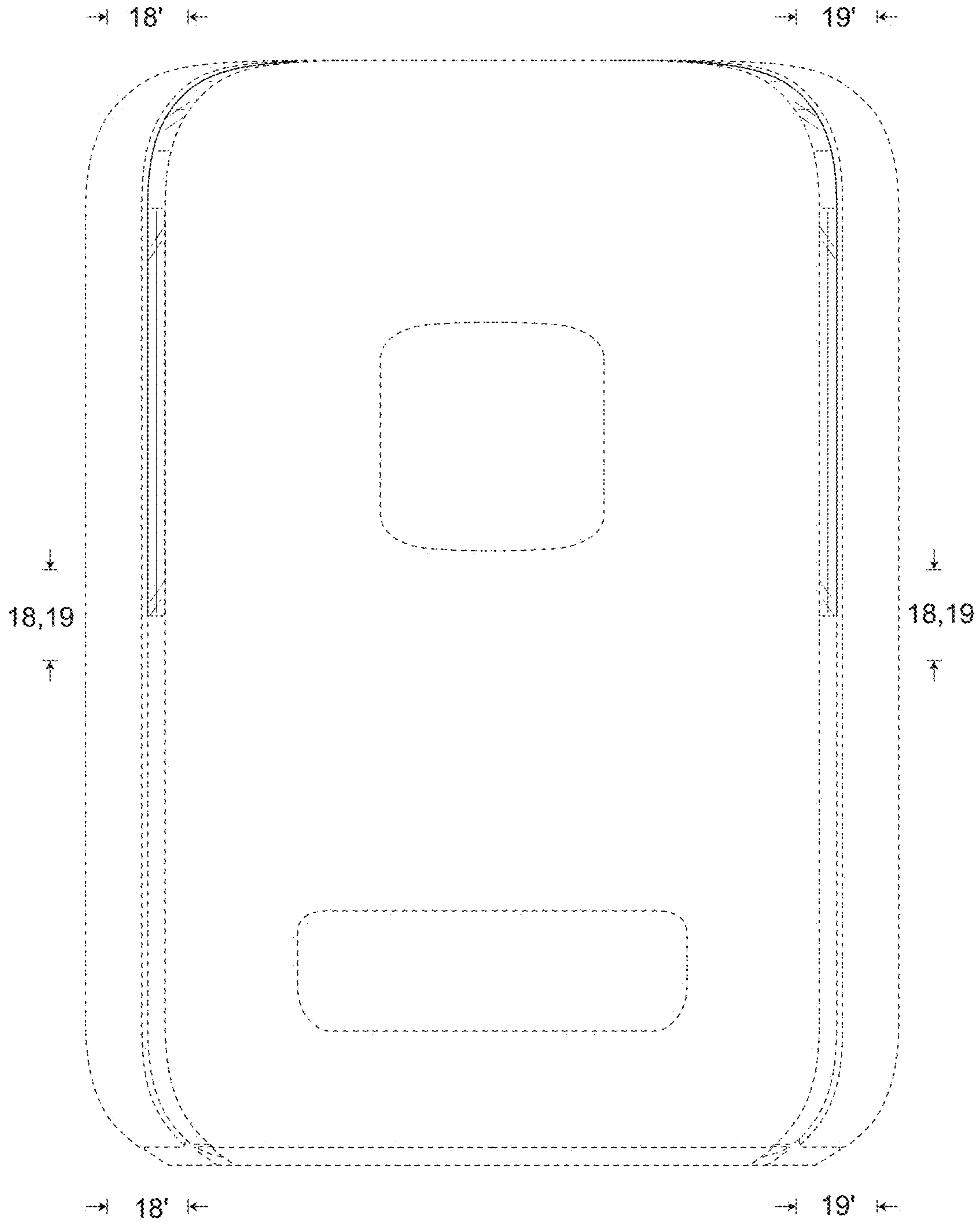


Fig.14

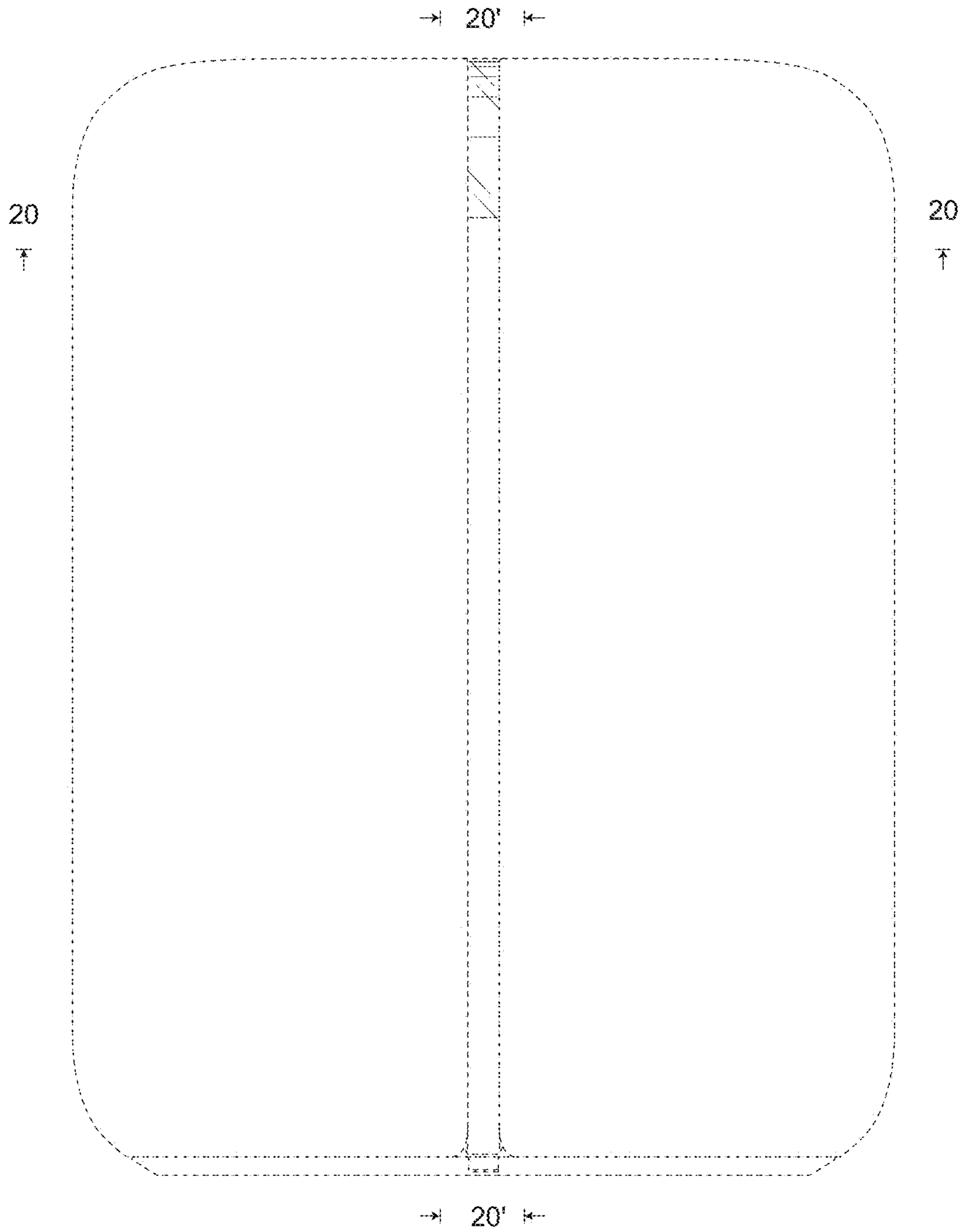


Fig.15

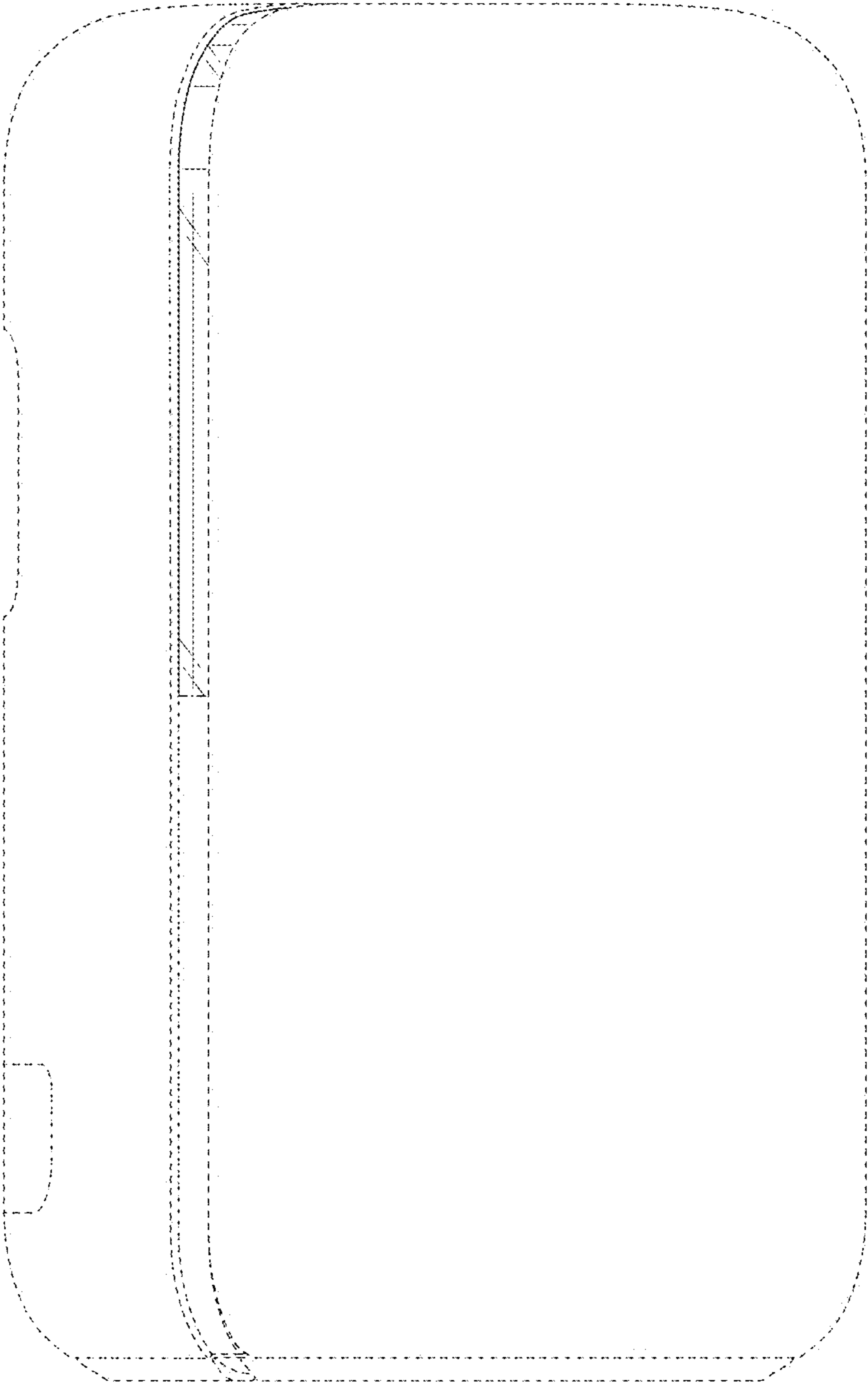


Fig.16

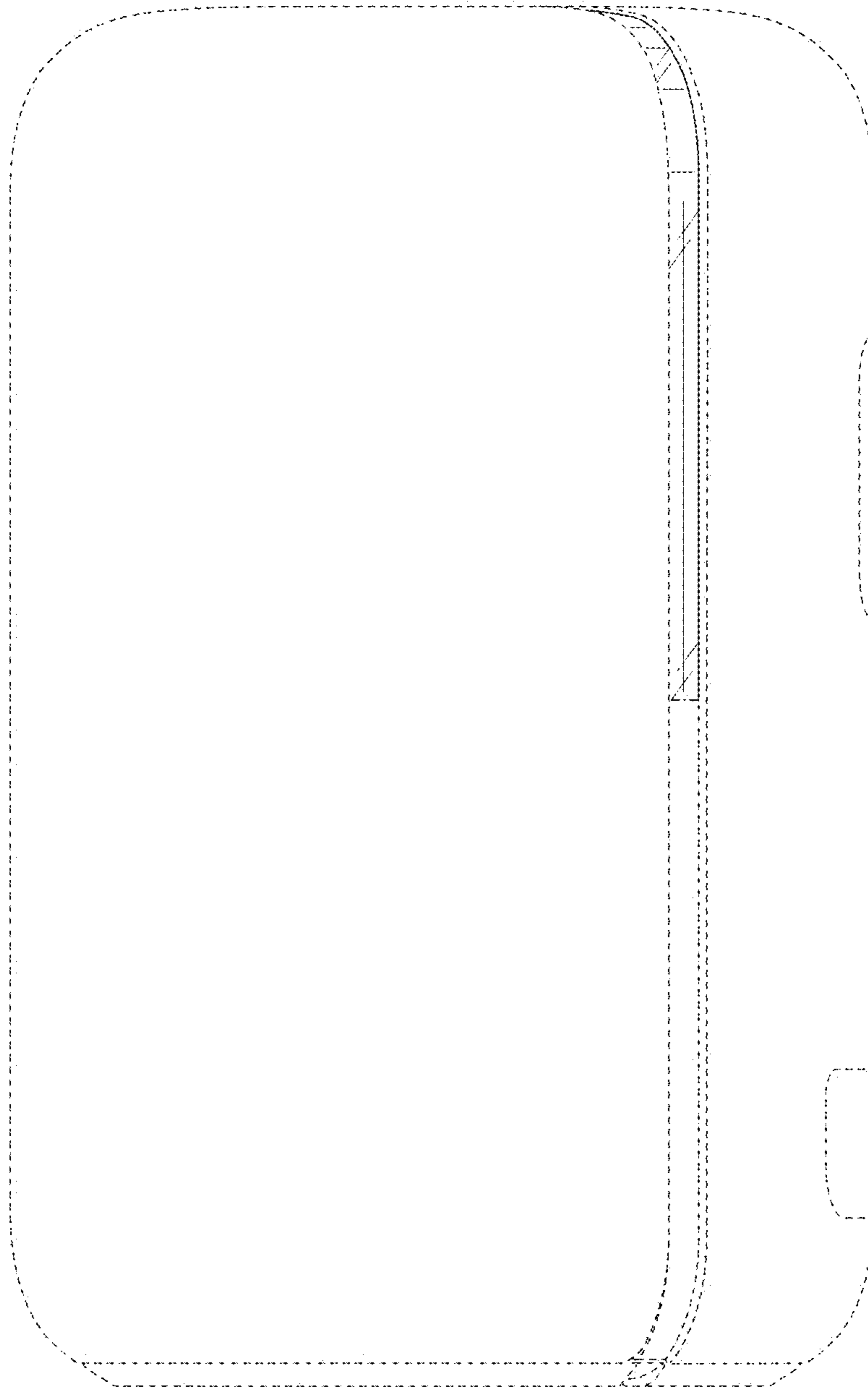


Fig.17

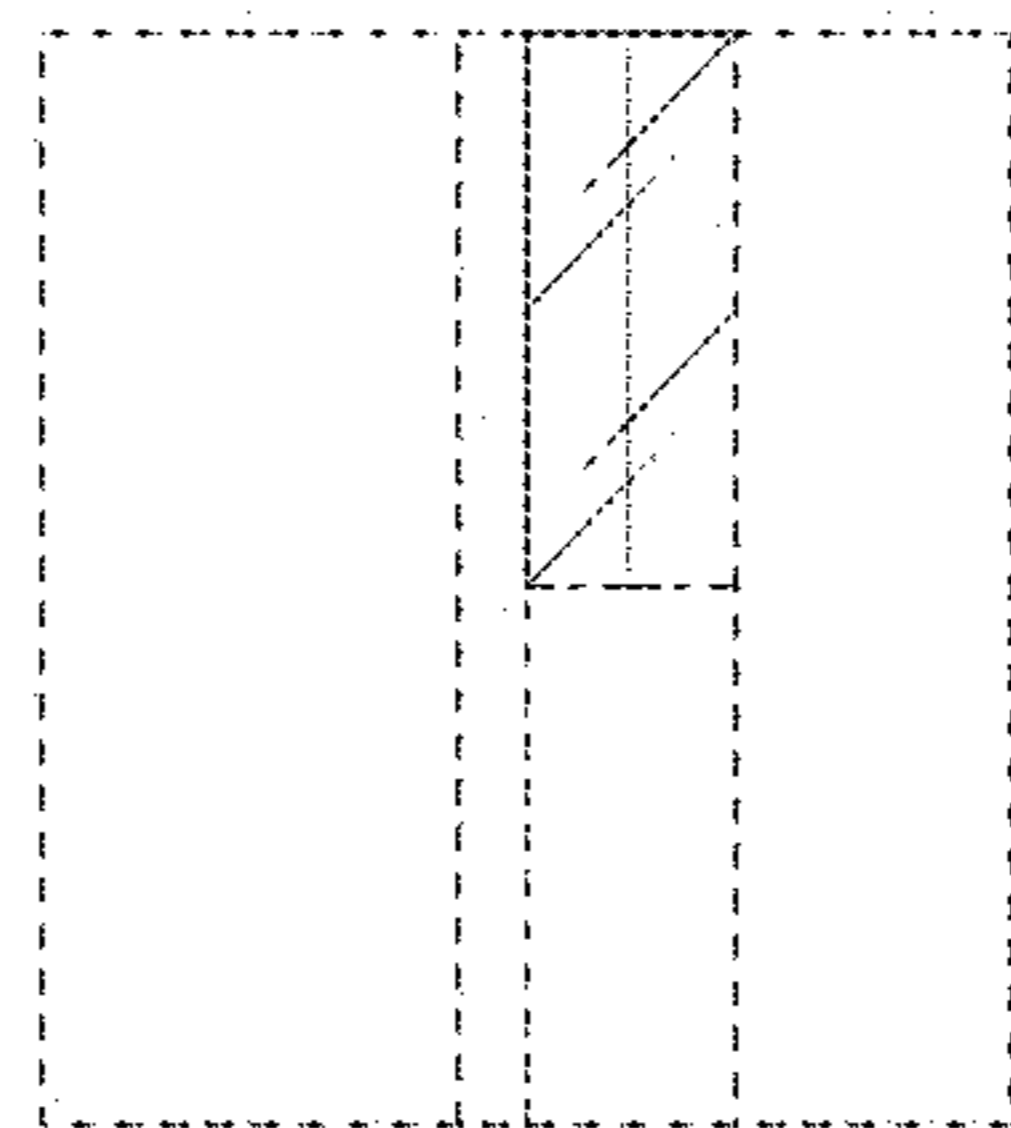
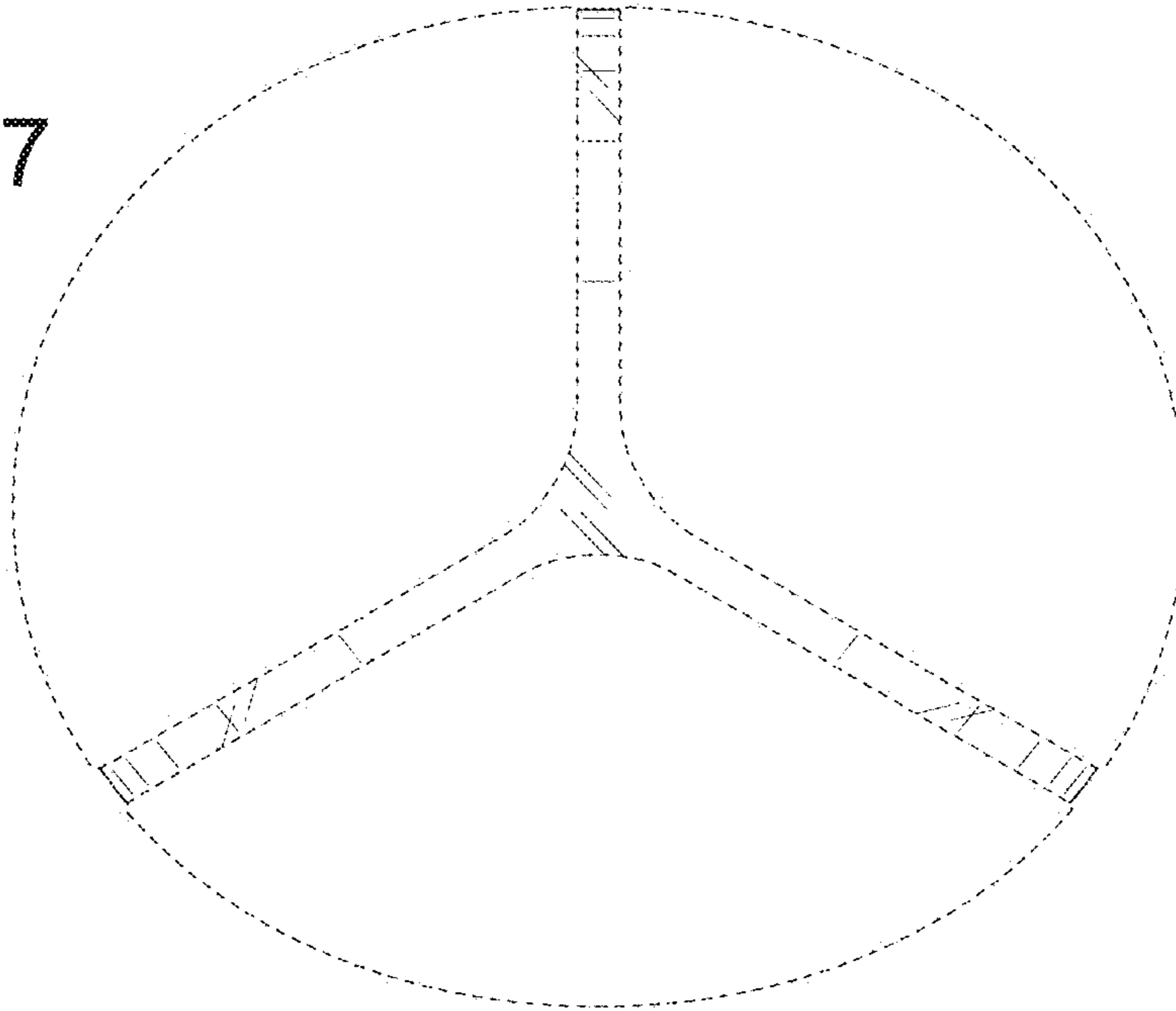


Fig.18

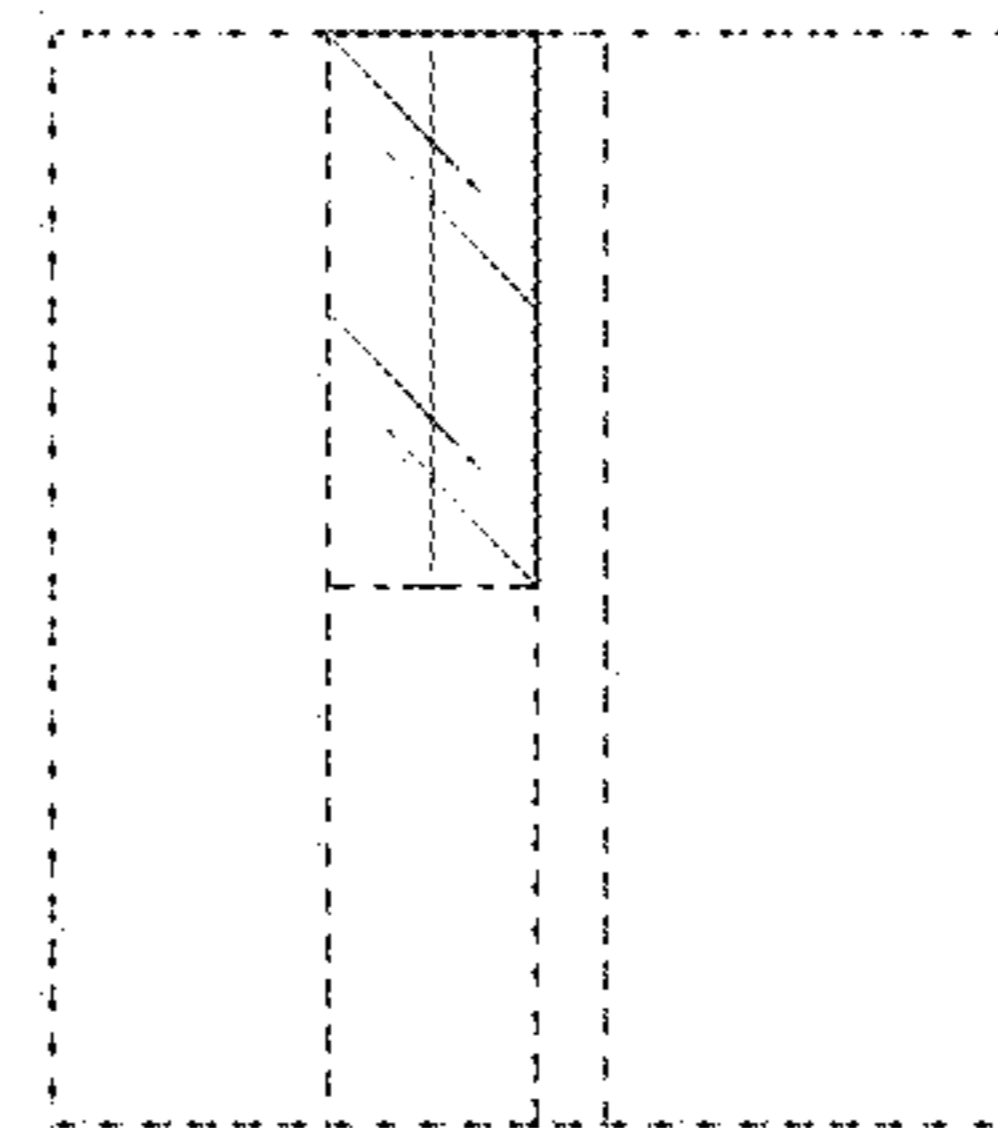


Fig.19

Fig.20

