



US00D964308S

(12) **United States Design Patent** (10) **Patent No.:** **US D964,308 S**  
**Song** (45) **Date of Patent:** **\*\* Sep. 20, 2022**

(54) **WIRELESS HDMI RECEIVER**

(71) Applicant: **Wenqi Song**, Shenzhen (CN)

(72) Inventor: **Wenqi Song**, Shenzhen (CN)

(\*\*) Term: **15 Years**

(21) Appl. No.: **29/814,314**

(22) Filed: **Nov. 4, 2021**

(30) **Foreign Application Priority Data**

Oct. 25, 2021 (EM) ..... 008734198-0003

(51) **LOC (13) Cl.** ..... **14-03**

(52) **U.S. Cl.**  
USPC ..... **D14/188**

(58) **Field of Classification Search**

USPC ..... D10/104.1, 105, 106.6; D14/125, 188,  
D14/217, 235, 241, 242  
CPC ... H04W 88/08; H04W 16/20; H04W 88/002;  
H04W 88/005

See application file for complete search history.

(56) **References Cited**

**U.S. PATENT DOCUMENTS**

D494,156 S *	8/2004	Chen	.....	D14/240
D752,562 S *	3/2016	You	.....	D14/240
D766,223 S *	9/2016	Chen	.....	D14/240
D783,610 S	4/2017	Zhou		
D784,328 S *	4/2017	Zhou	.....	D14/240
D843,336 S *	3/2019	Wu	.....	D14/125
D892,776 S	8/2020	Ramones et al.		
D898,004 S *	10/2020	Sun	.....	D14/242
D912,031 S *	3/2021	He	.....	D14/242

**OTHER PUBLICATIONS**

[Daigie Wireless HDMI Transmitters & Receiver Kit], available in Amazon.com, date first available Dec. 24, 2021 [online], [site visited Jul. 22, 2022], Available from the internet URL: <https://www.amazon.com/Daigie-Wireless-HDMI-Transmitter-Receiver/dp/B09P52CMGX?th=1> (Year: 2021).\*

\* cited by examiner

*Primary Examiner* — Khawaja Anwar  
*Assistant Examiner* — Megan Tiana Rakos

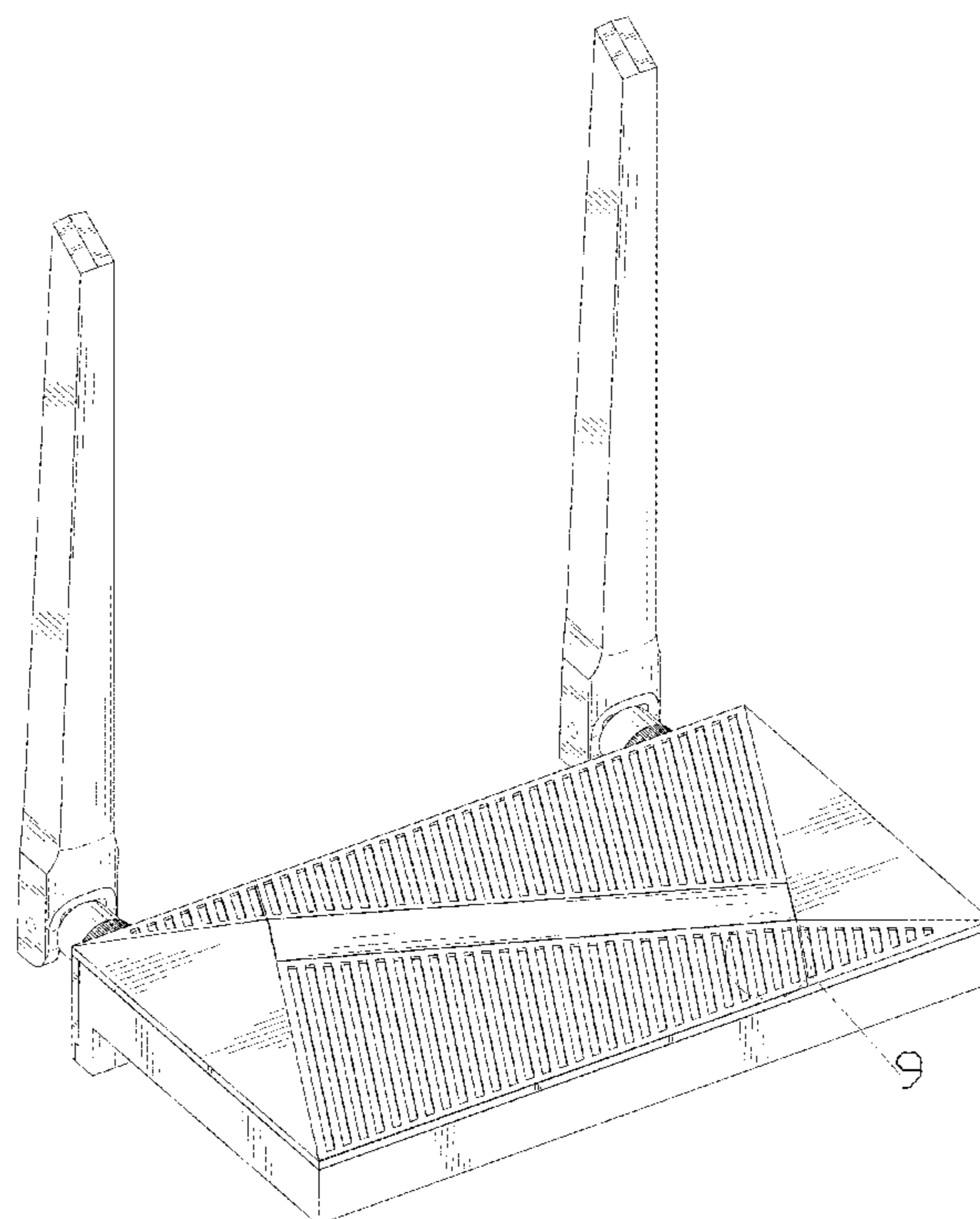
(57) **CLAIM**

The ornamental design for a wireless HDMI receiver, as shown and described.

**DESCRIPTION**

FIG. 1 is a perspective view of a wireless HDMI receiver showing my new design;  
FIG. 2 is another perspective view thereof;  
FIG. 3 is a front elevational view thereof;  
FIG. 4 is a rear elevational view thereof;  
FIG. 5 is a left side elevational view thereof;  
FIG. 6 is a right side elevational view thereof;  
FIG. 7 is a top plan view thereof;  
FIG. 8 is a bottom plan view thereof;  
FIG. 9 is an enlarged view of portion 9 shown in FIG. 1; and,  
FIG. 10 is an enlarged view of portion 10 shown in FIG. 5.  
The dash-dash broken lines in the drawings depict portions of the wireless HDMI receiver that form no part of the claimed design. The dot-dash broken lines represent boundaries of the enlarged portions and form no part of the claimed design.

**1 Claim, 10 Drawing Sheets**



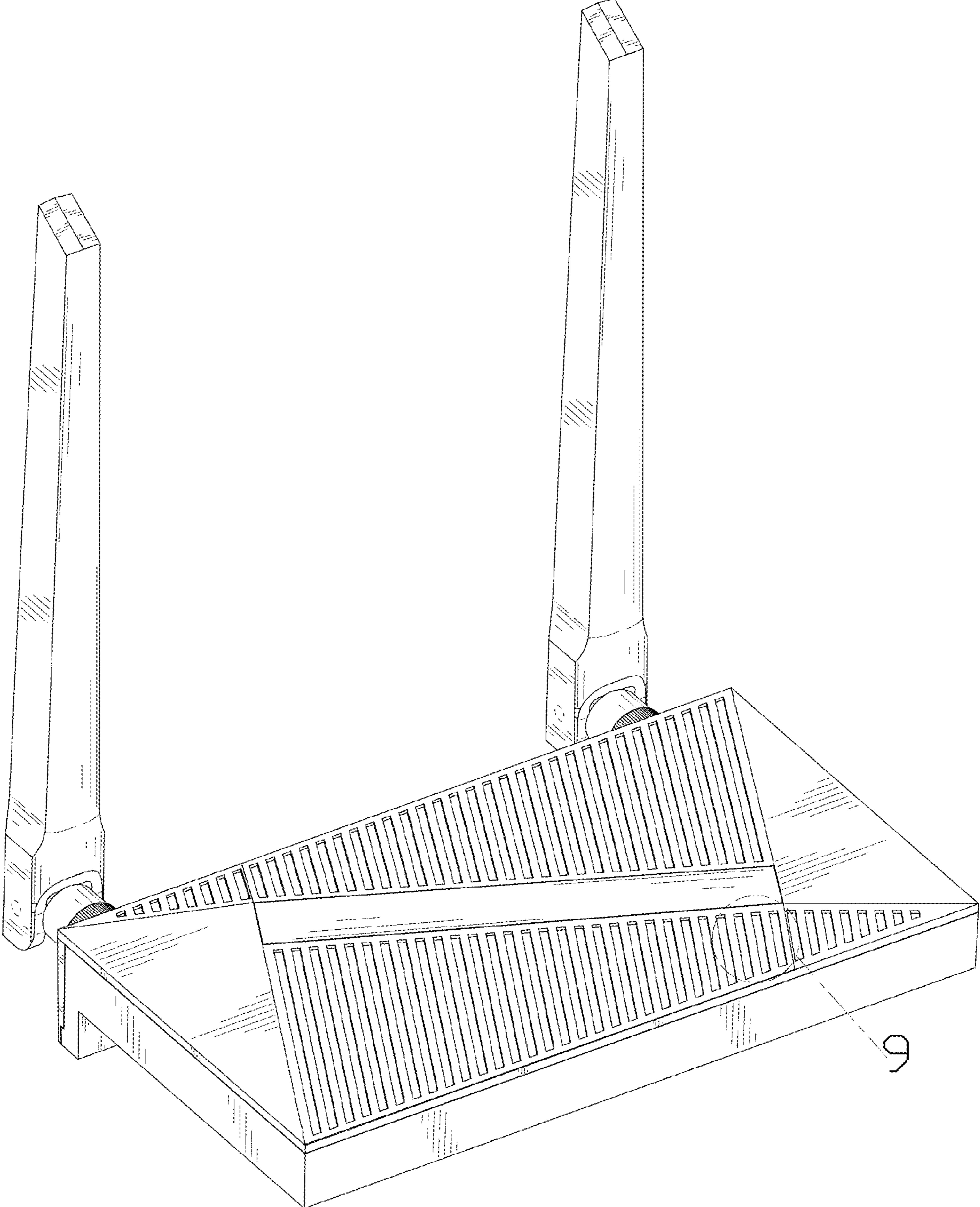


FIG. 1

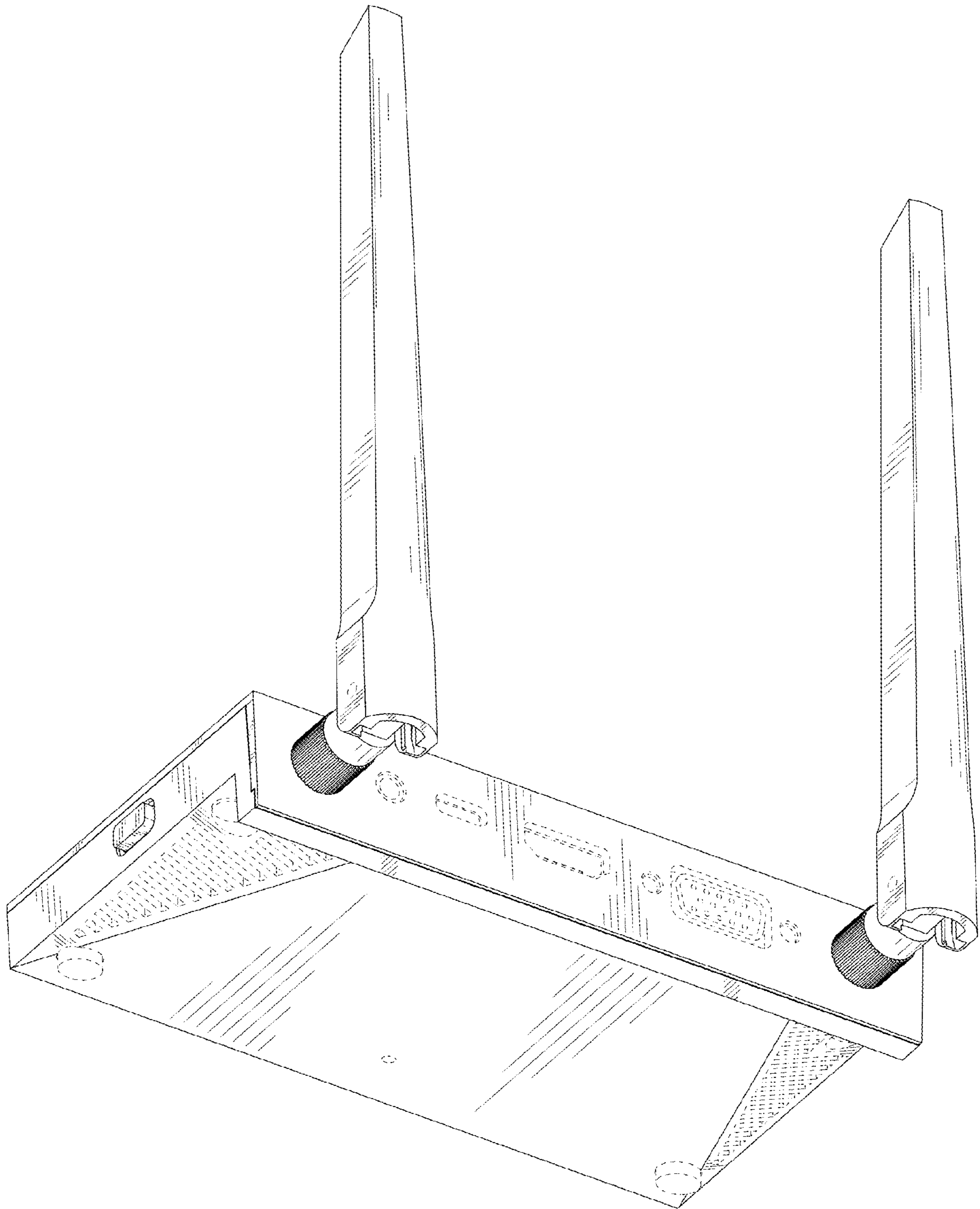


FIG. 2

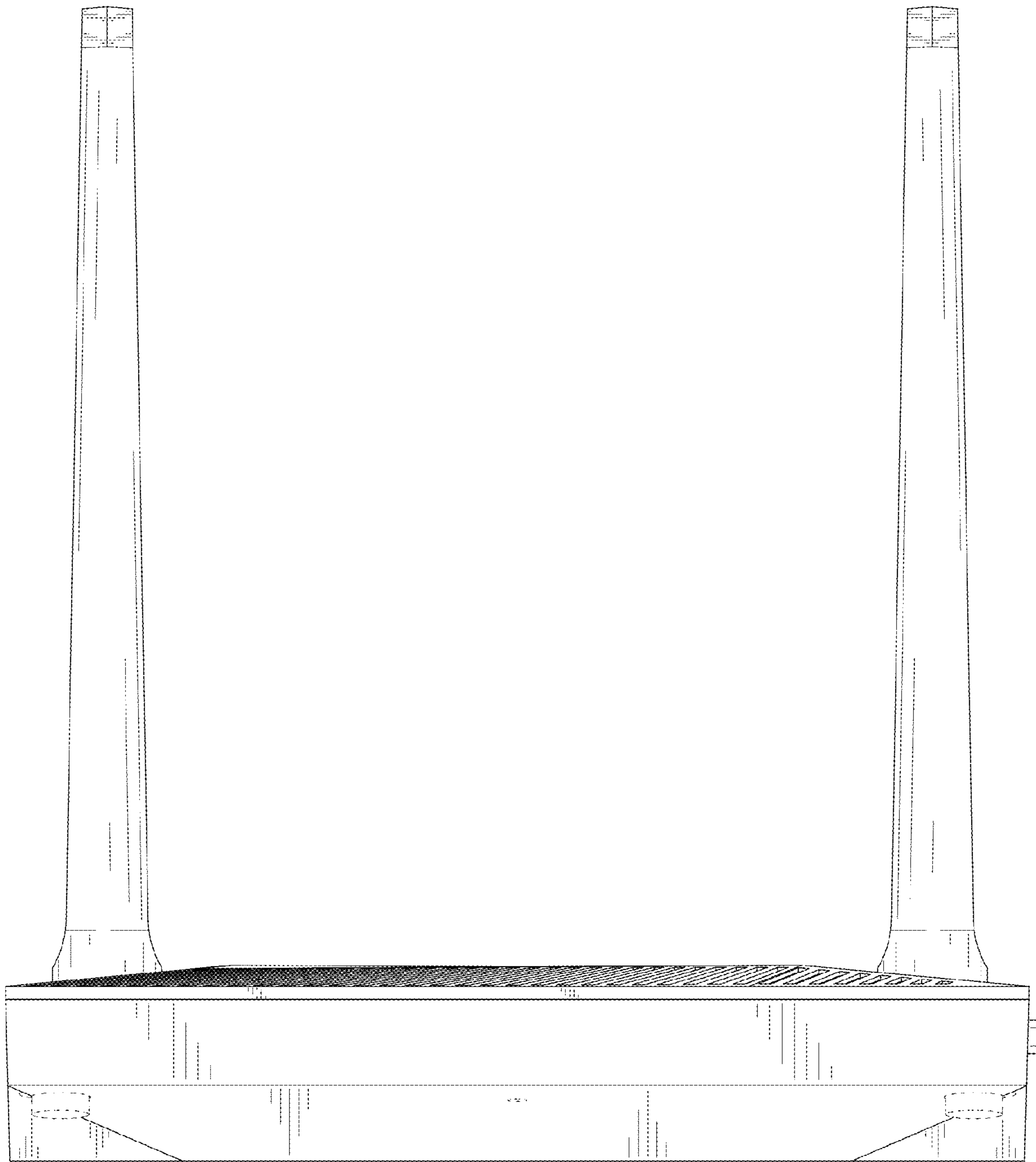


FIG. 3

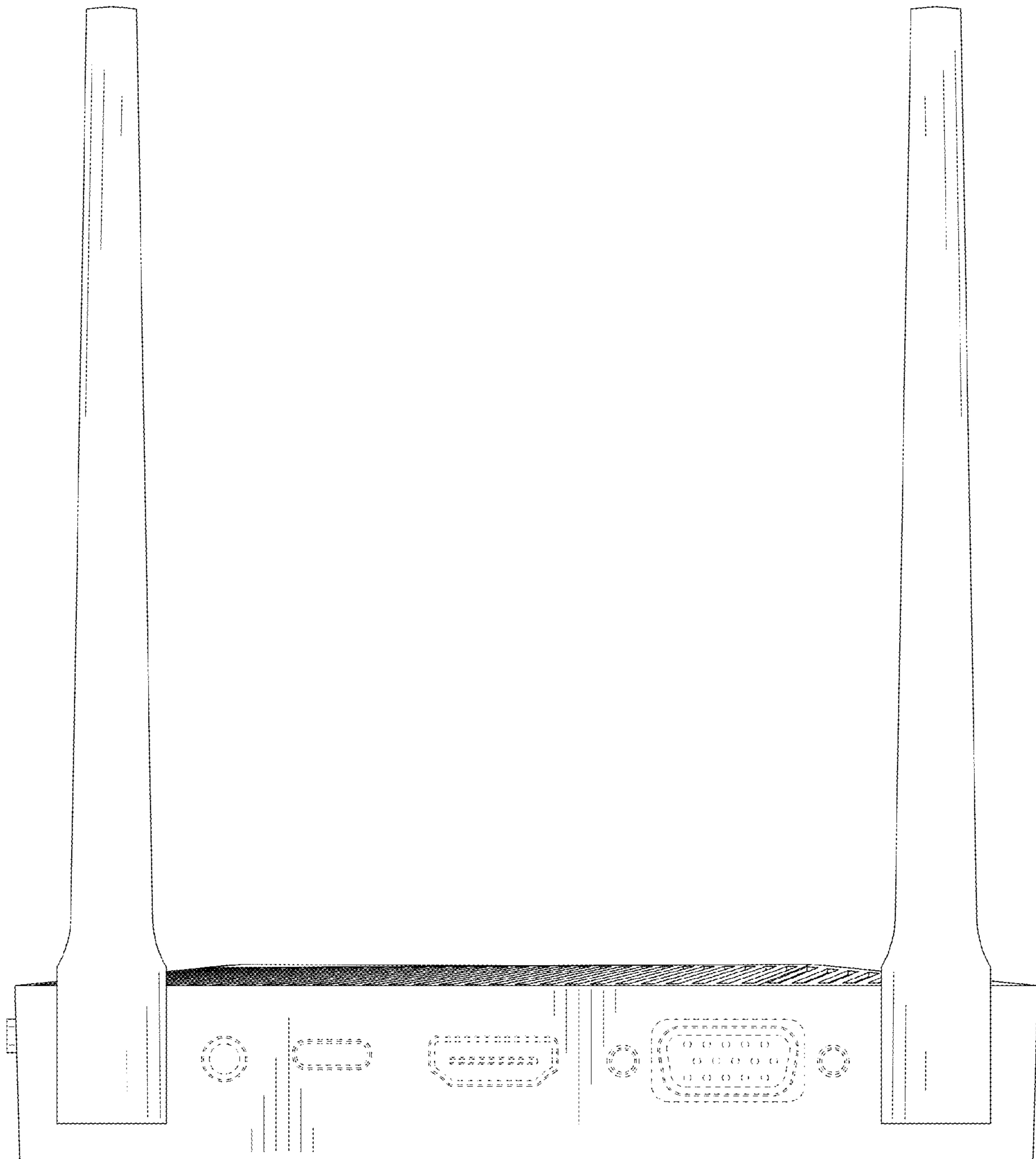


FIG. 4

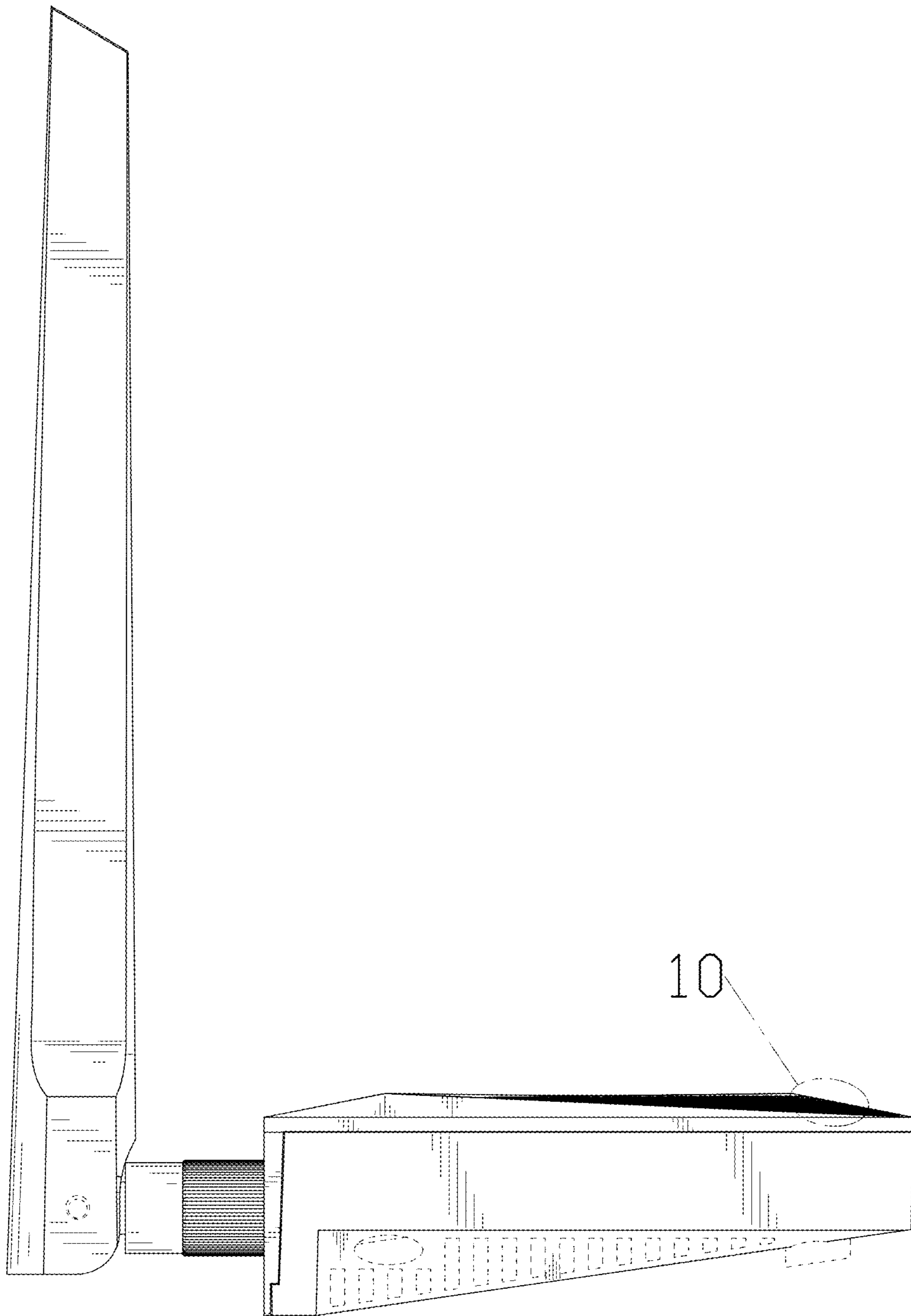


FIG. 5

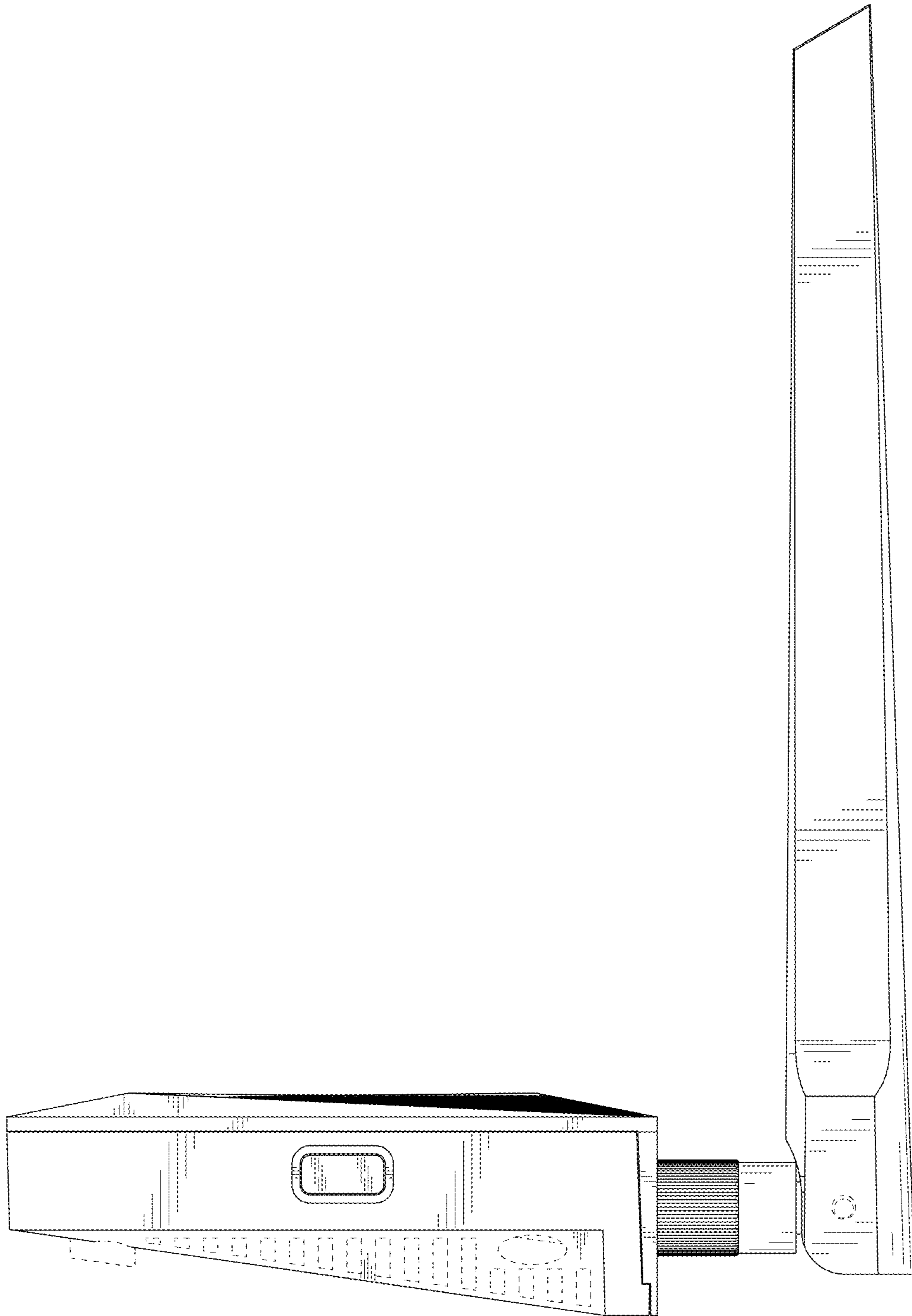


FIG. 6

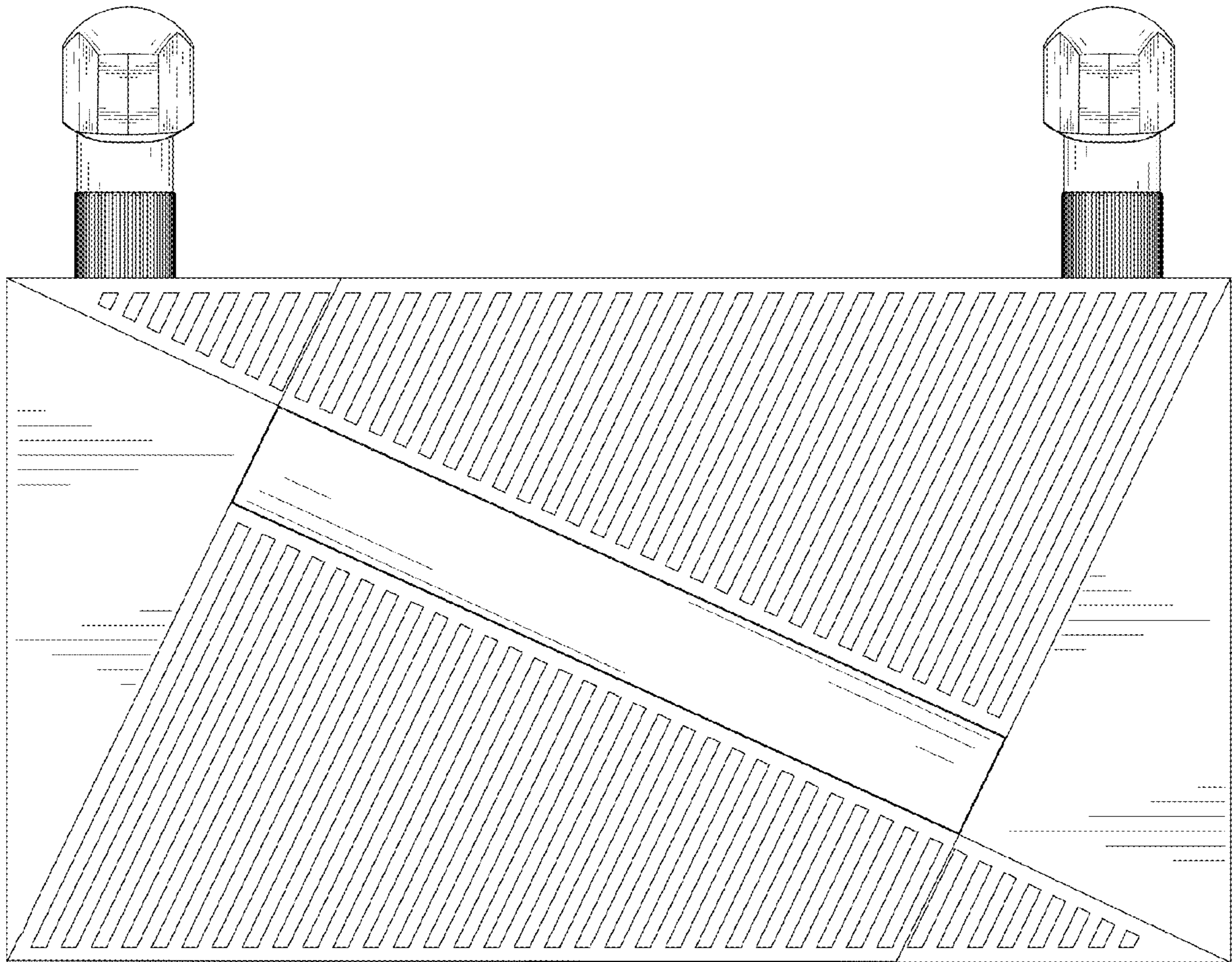


FIG. 7



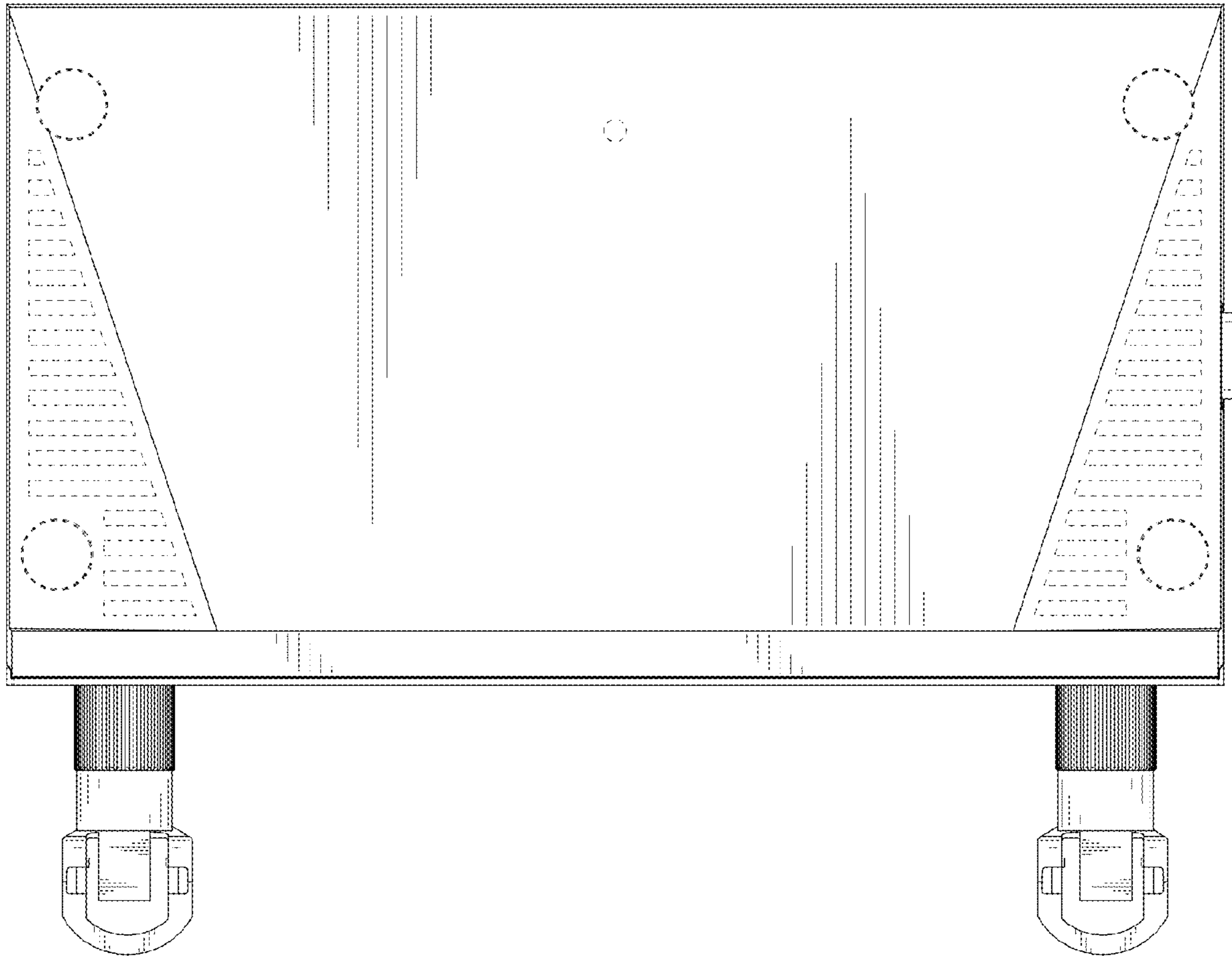


FIG. 8

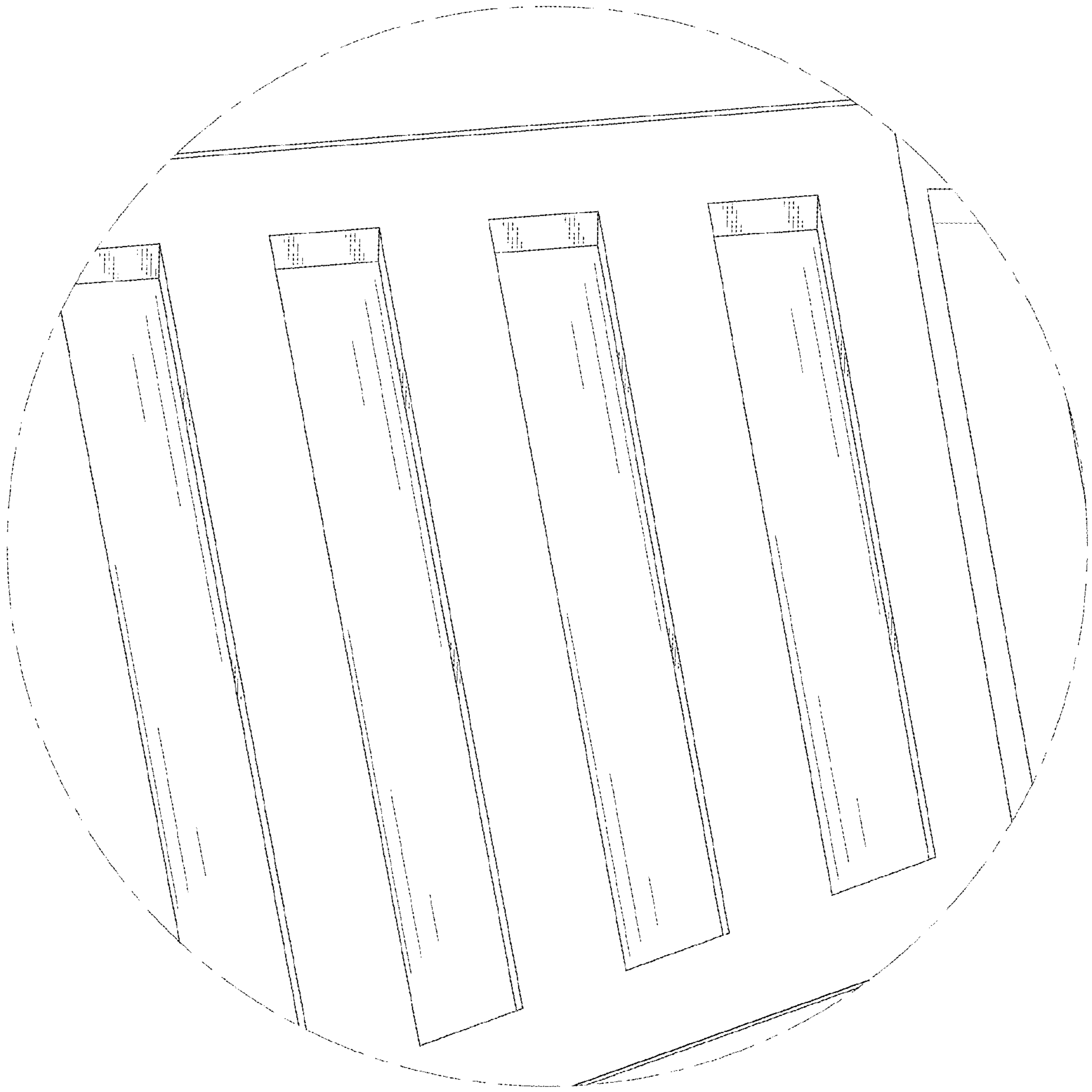


FIG. 9

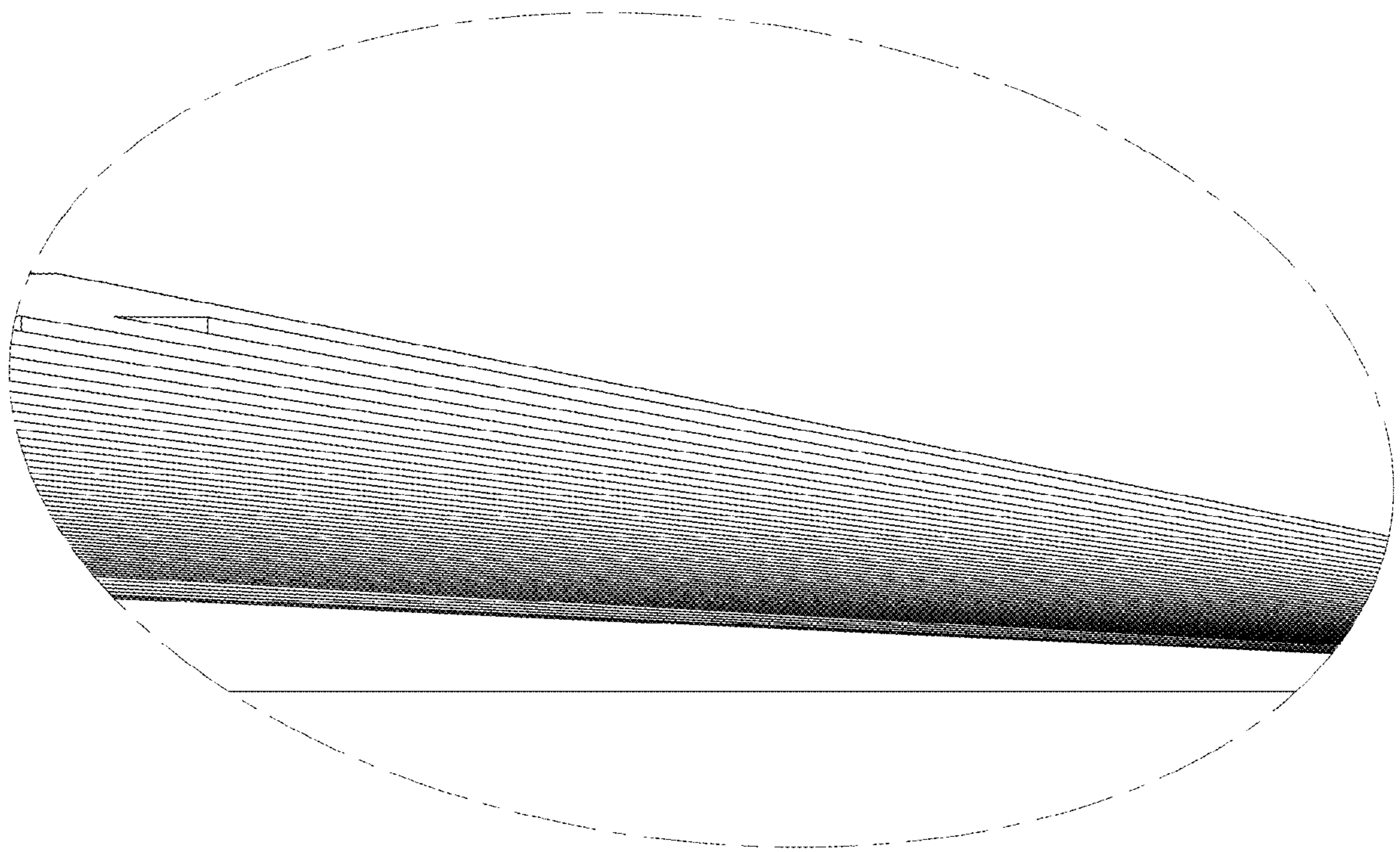


FIG. 10