



US00D964301S

(12) **United States Design Patent**
Lee et al.

(10) **Patent No.:** **US D964,301 S**
(45) **Date of Patent:** **** Sep. 20, 2022**

(54) **LINK FOR ROLLABLE TELEVISION**

(71) Applicant: **LG ELECTRONICS INC.**, Seoul (KR)

(72) Inventors: **Minjae Lee**, Seoul (KR); **Seonkyu Kim**, Seoul (KR); **Youngkyoung Kim**, Seoul (KR); **Yunjoo Kim**, Seoul (KR); **Cheolwoong Shin**, Seoul (KR); **Hyunbyung Cha**, Seoul (KR)

(73) Assignee: **LG ELECTRONICS INC.**, Seoul (KR)

(**) Term: **15 Years**

(21) Appl. No.: **29/715,748**

(22) Filed: **Dec. 4, 2019**

(30) **Foreign Application Priority Data**

Jun. 5, 2019 (KR) 30-2019-0026867

(51) **LOC (13) Cl.** **14-03**

(52) **U.S. Cl.**
USPC **D14/126**

(58) **Field of Classification Search**
USPC D14/125-138, 138 AD, 138 G, 138 R, D14/204, 239, 248, 314-316, 322, 326, D14/334-336, 339, 340, 345, 341, 371, D14/373-377, 448-450; D20/42, 43; D21/324, 329, 332, 515; D6/300, 308,
(Continued)

(56) **References Cited**

U.S. PATENT DOCUMENTS

D323,338 S * 1/1992 Court 160/24
D607,034 S * 12/2009 Adams D16/241
(Continued)

Primary Examiner — Messina L Smith

Assistant Examiner — Aram Kwon

(74) *Attorney, Agent, or Firm* — Birch, Stewart, Kolasch & Birch, LLP

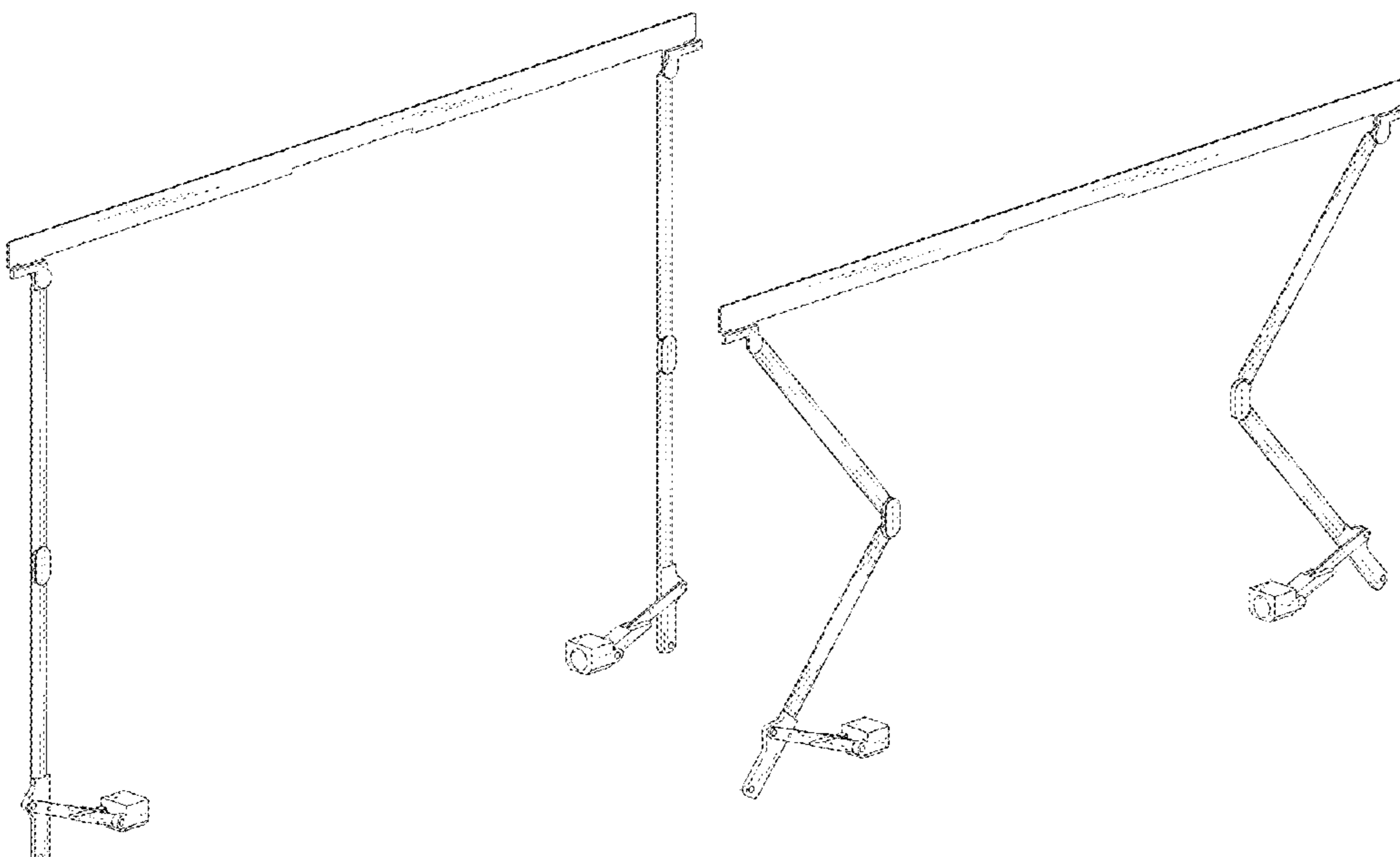
(57) **CLAIM**

We claim the ornamental design for a link for rollable television, as shown and described.

DESCRIPTION

FIG. 1 is a top, front and left side perspective view of a link for rollable television, shown in an unfolded configuration; FIG. 2 is a front elevation view thereof; FIG. 3 is a rear elevation view thereof; FIG. 4 is a left side elevation view thereof; FIG. 5 is a right side elevation view thereof; FIG. 6 is a top plan view thereof; FIG. 7 is a bottom plan view thereof; FIG. 8 is a top, front and left side perspective view thereof, shown with a sample environment disclosed in broken lines; FIG. 9 is a top, front and left side perspective view of the link for rollable television, shown in a folded configuration; FIG. 10 is a front elevation view thereof; FIG. 11 is a rear elevation view thereof; FIG. 12 is a left side elevation view thereof; FIG. 13 is a right side elevation view thereof; FIG. 14 is a top plan view thereof; FIG. 15 is a bottom plan view thereof; and, FIG. 16 is a top, front and left side perspective view thereof, shown with a sample environment disclosed in broken lines. The broken lines in FIGS. 6, 7, 14 and 15 depict portions of the link for rollable television in which the design is embodied that form no part of the claimed design. The broken lines in FIGS. 8 and 16 are included for the purpose of illustrating environment and form no part of the claimed design.

1 Claim, 16 Drawing Sheets



(58) **Field of Classification Search**

USPC D6/310, 314, 320, 332, 553, 642–643,
D6/650.1, 653.15, 654.15, 657, 661, 675;
D16/229, 235, 241
CPC A47G 1/1686; B66D 3/18; G03B 21/58;
G03B 21/56; G03B 21/60; G09F
15/0025; G09F 7/18; G09F 9/301; G09G
3/3225; G06F 1/16; G06F 1/1601; G06F
1/1637; G06F 1/1605; G06F 1/162; G06F
1/1652; G06F 1/69; G06F 1/1615; H05K
5/0204; H05K 5/0017; H05K 5/0217;
H04N 5/64; H04N 5/232411; H04M
1/0266; H04R 5/02

See application file for complete search history.

(56) **References Cited**

U.S. PATENT DOCUMENTS

8,274,737 B2 * 9/2012 Wang G03B 21/58
359/461
D776,072 S * 1/2017 Kim D14/126
D776,631 S * 1/2017 Kim D14/126
D783,553 S * 4/2017 Kim D14/126
D785,582 S * 5/2017 Lee D14/126
9,756,757 B2 * 9/2017 Park H05K 5/0017
D807,844 S * 1/2018 Kim D14/126
10,534,402 B1 * 1/2020 Kim H05K 5/0217
2006/0279840 A1 * 12/2006 Yamauchi G03B 21/56
359/461
2007/0121209 A1 * 5/2007 Liang G03B 21/58
359/461
2020/0035133 A1 * 1/2020 Pyo G09F 9/301

* cited by examiner

FIG. 1

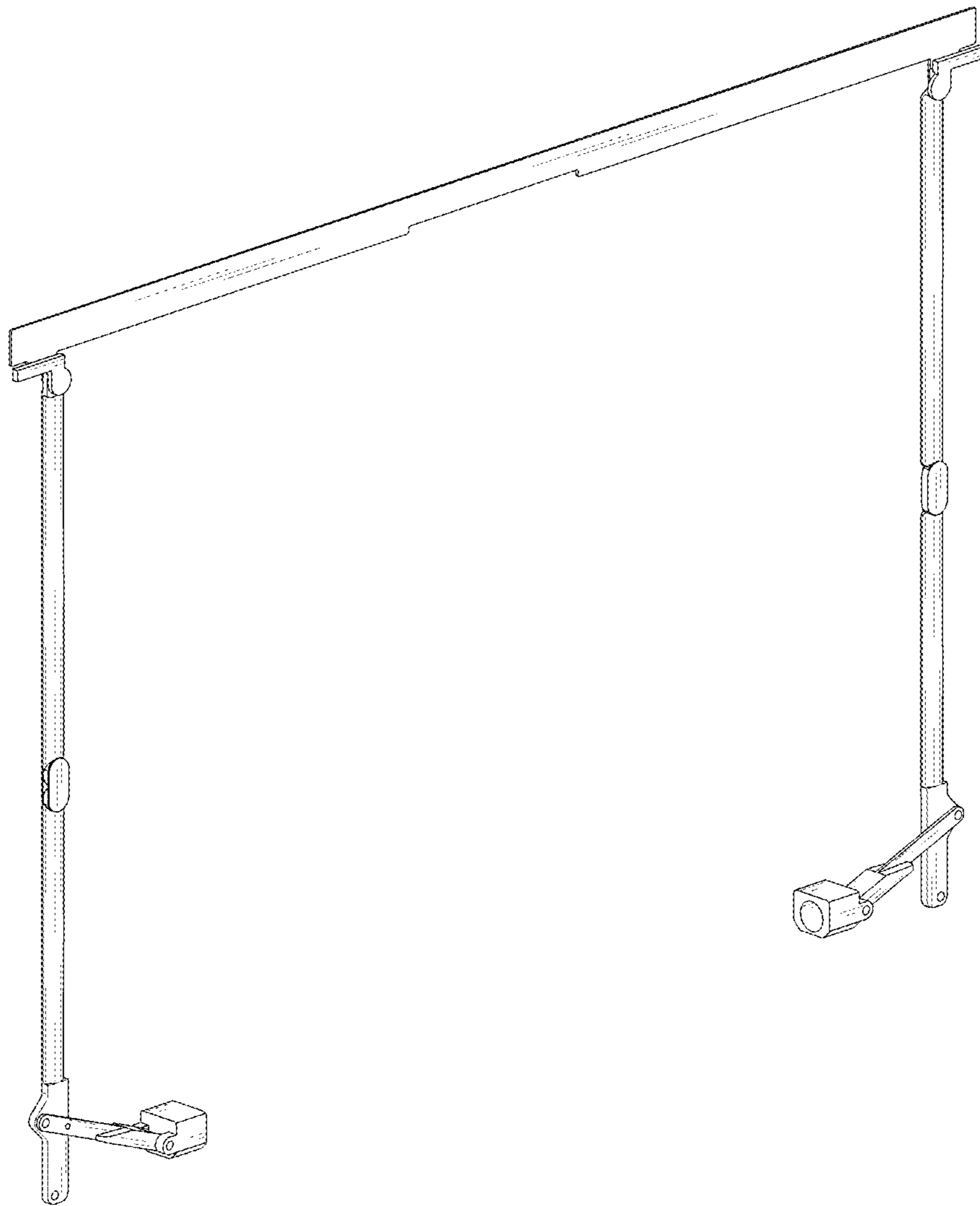


FIG. 2

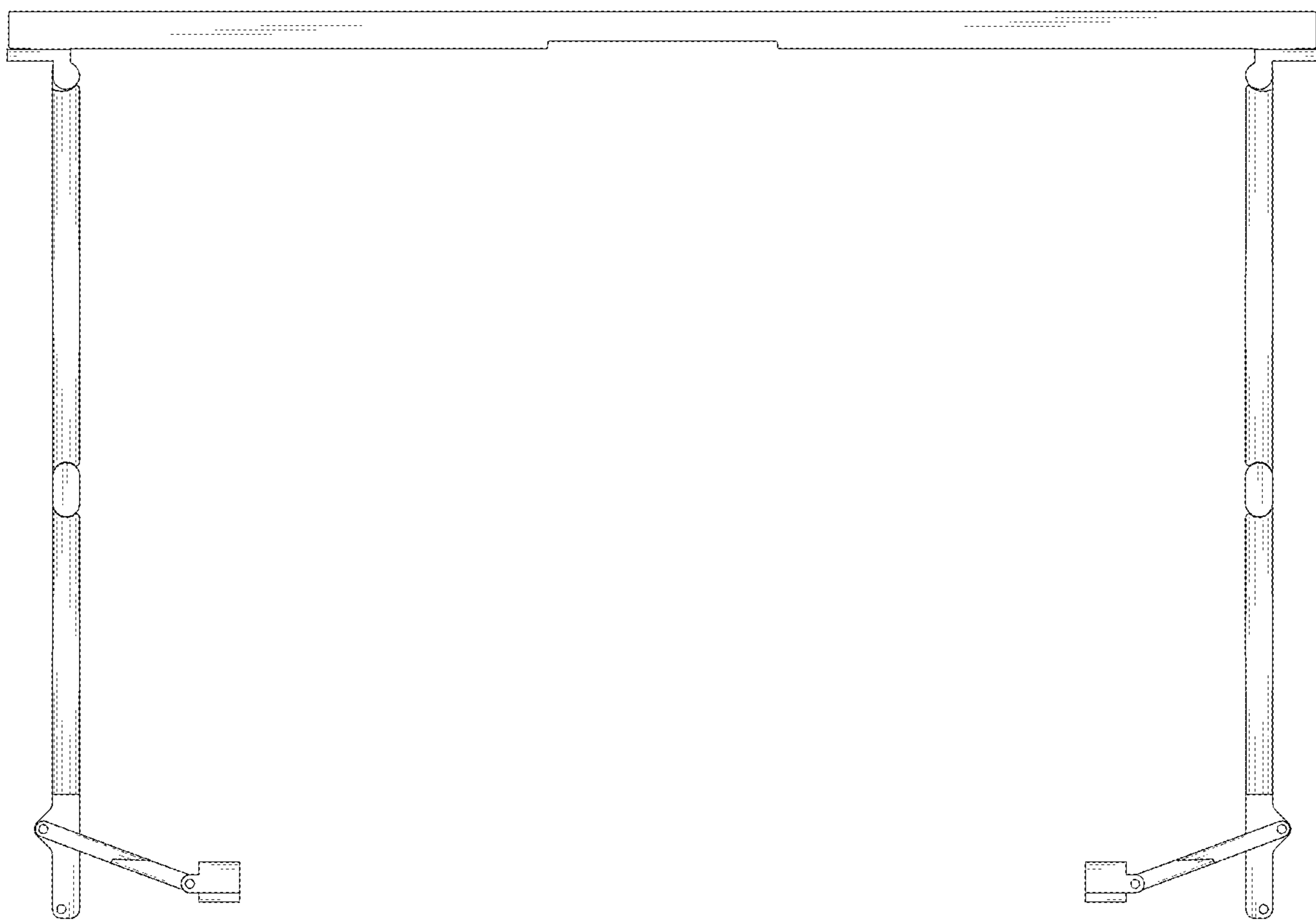


FIG. 3



FIG. 4

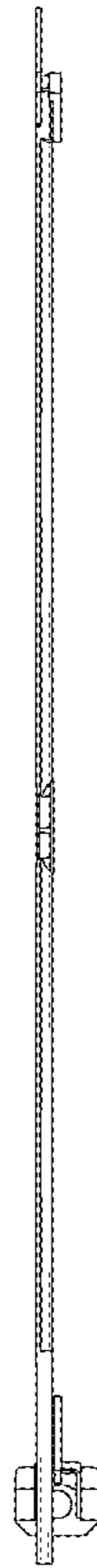


FIG. 5

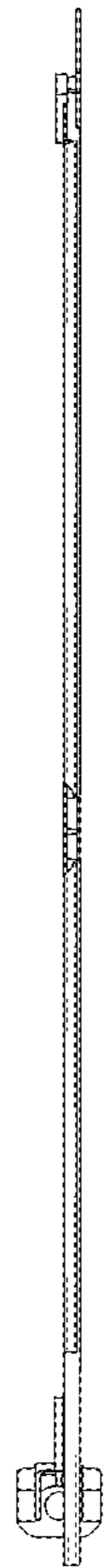


FIG. 6

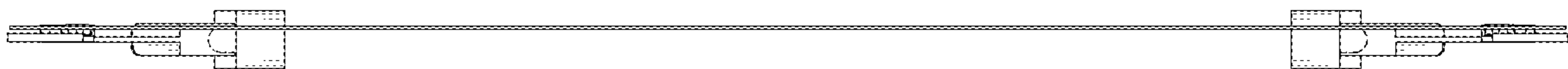


FIG. 7

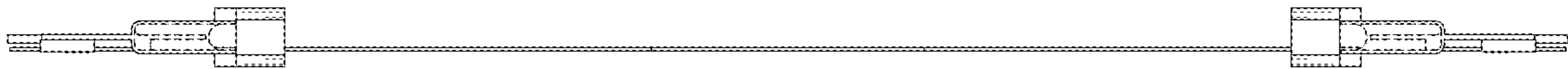


FIG. 8

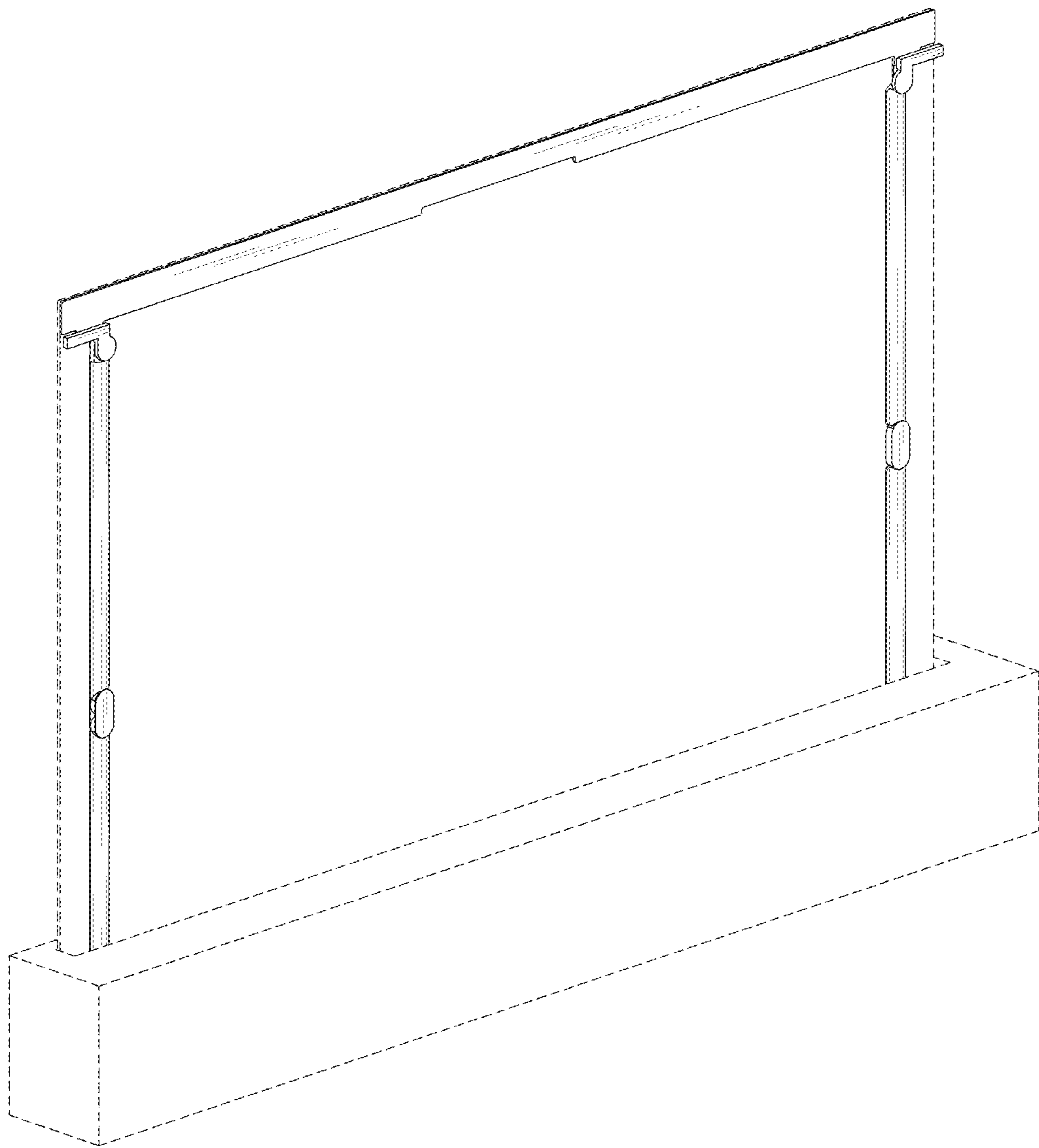


FIG. 9

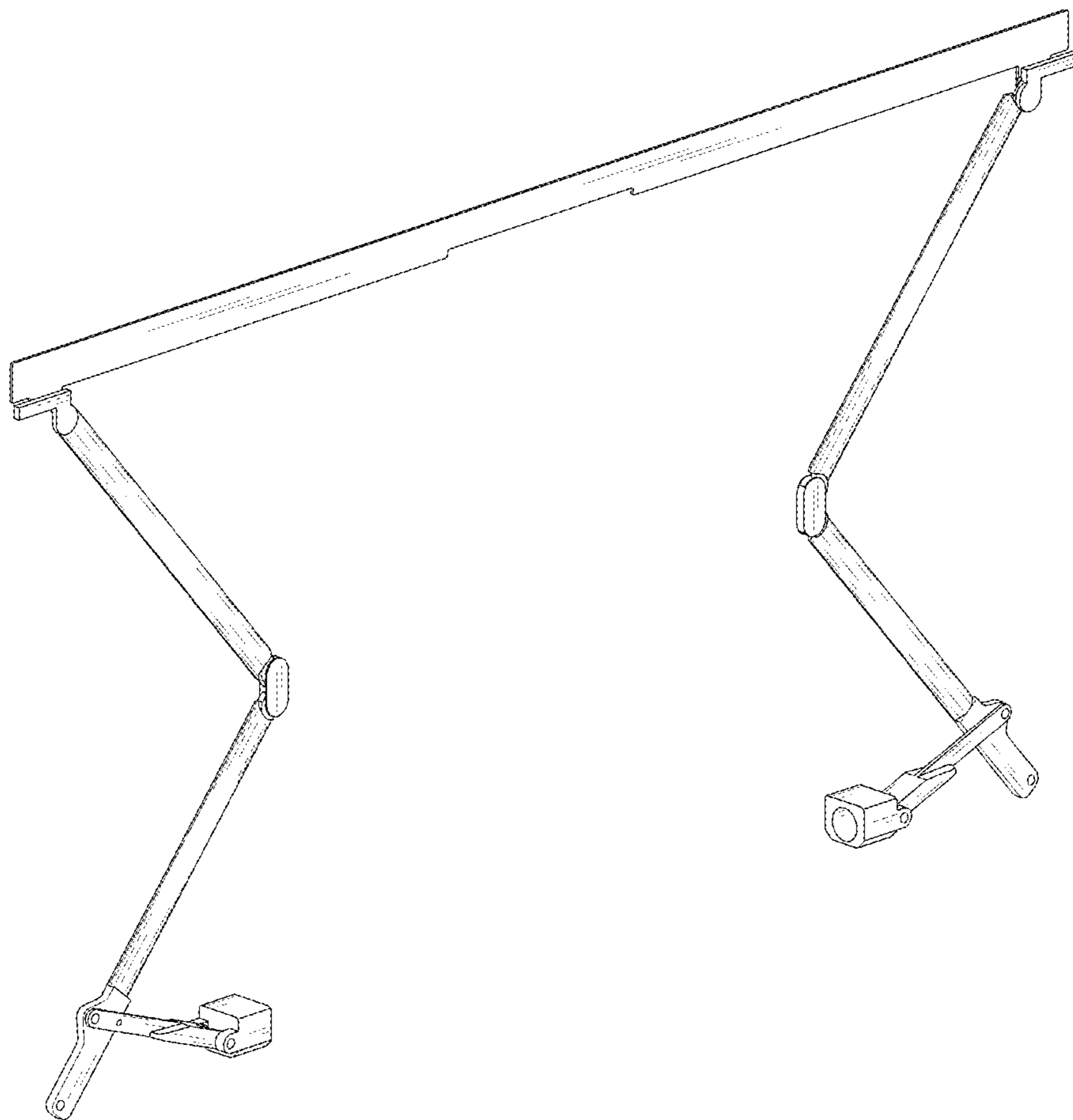


FIG. 10

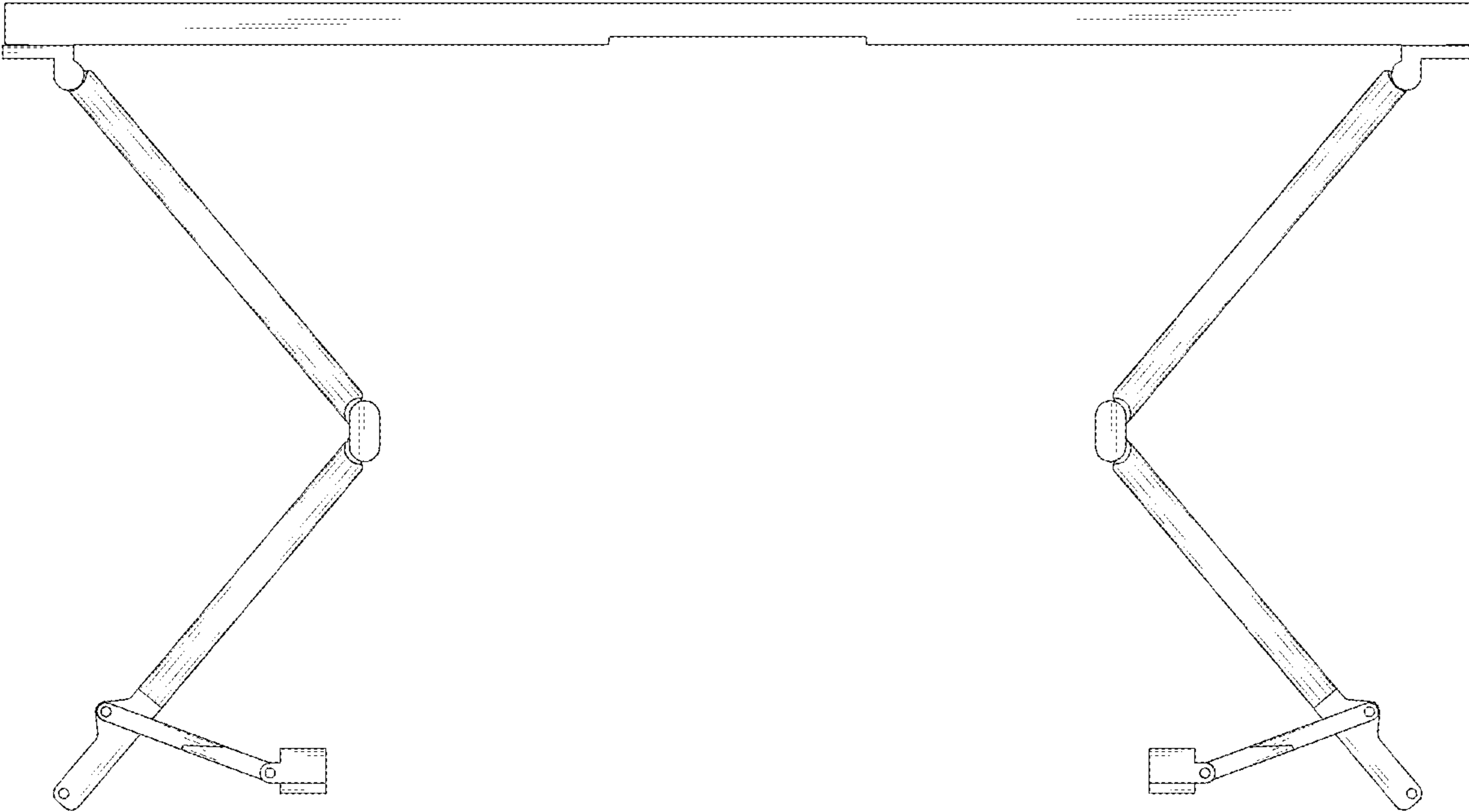


FIG. 11

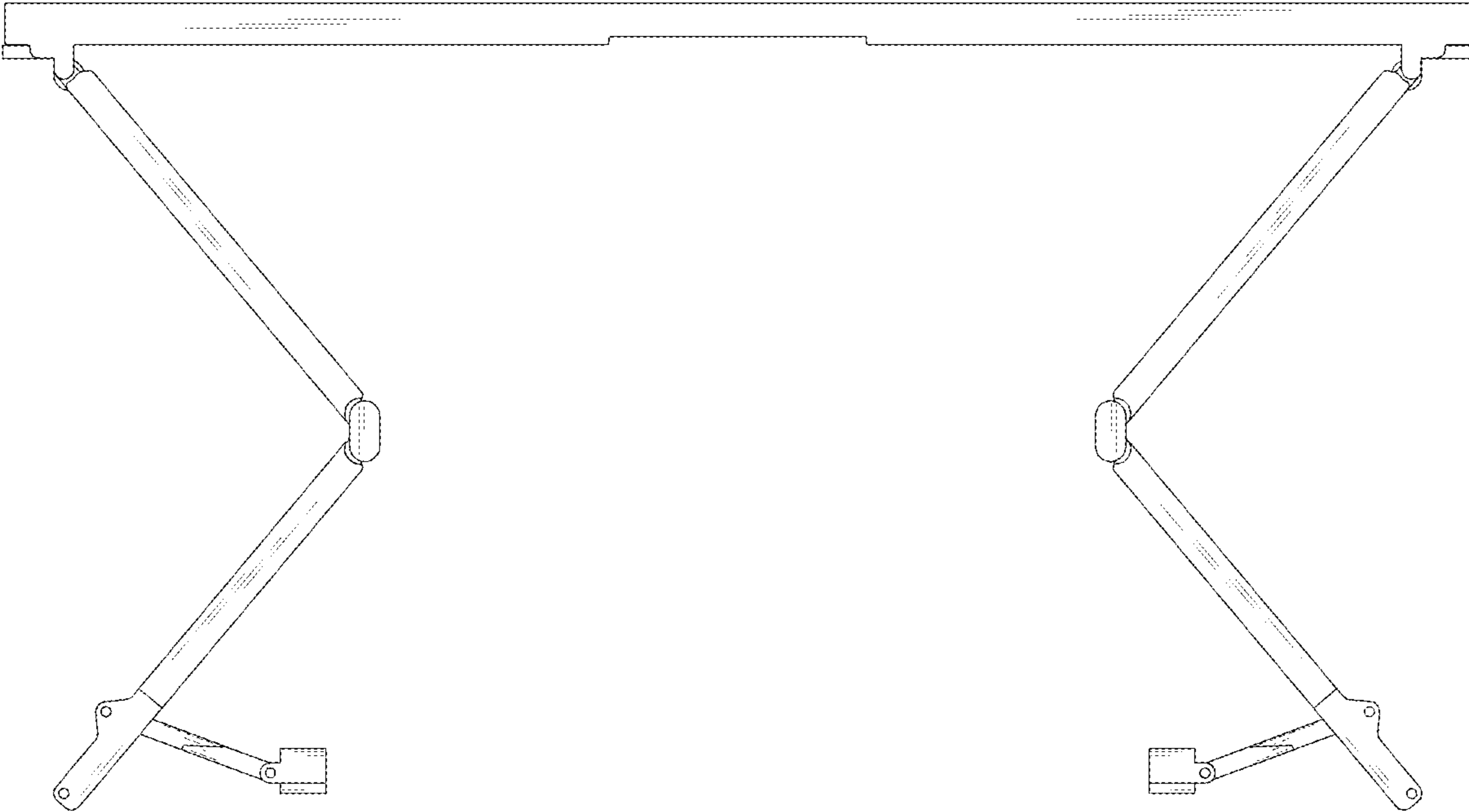


FIG. 12

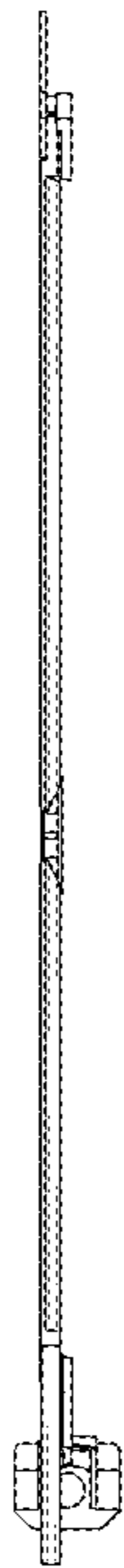


FIG. 13

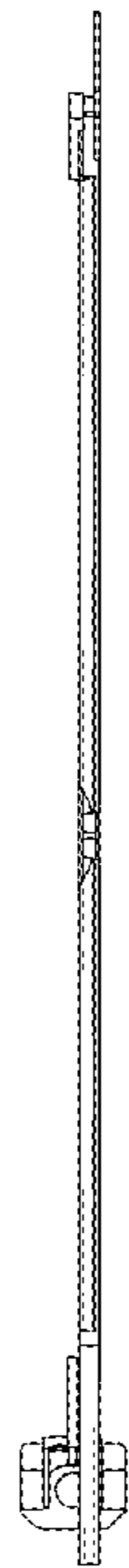


FIG. 14

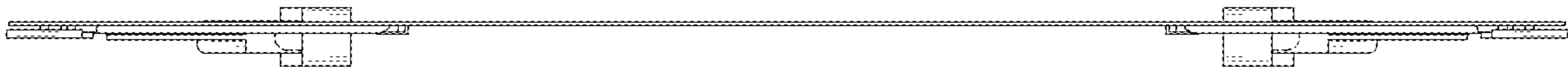


FIG. 15

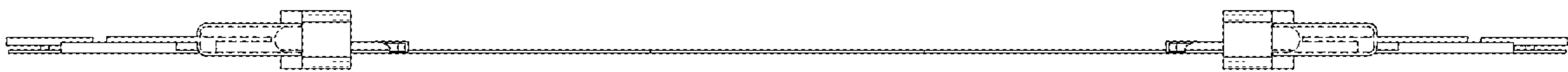


FIG. 16

