

US00D964300S

(12) **United States Design Patent**
McDermott et al.

(10) **Patent No.:** **US D964,300 S**
(45) **Date of Patent:** **** Sep. 20, 2022**

(54) **OUTLET HARNESS DEVICE**

(71) Applicant: **Best Energy Reduction Technologies, LLC**, King Of Prussia, PA (US)

(72) Inventors: **Joseph McDermott**, Philadelphia, PA (US); **Scott J. Yetter**, Philadelphia, PA (US)

(73) Assignee: **Best Energy Reduction Technologies, LLC**, King Of Prussia, PA (US)

(**) Term: **15 Years**

(21) Appl. No.: **29/772,977**

(22) Filed: **Mar. 5, 2021**

(51) **LOC (13) Cl.** **13-03**

(52) **U.S. Cl.**
USPC **D13/184**

(58) **Field of Classification Search**
USPC D13/147, 108, 133, 103, 110, 102, 180, D13/184, 164, 182
CPC H01R 25/003; H01R 24/20; H01R 24/00
See application file for complete search history.

(56) **References Cited**

U.S. PATENT DOCUMENTS

D482,333 S *	11/2003	Hisamatsu	D13/147
D491,531 S *	6/2004	Lee	D13/147
9,548,563 B1 *	1/2017	Vazquez	H01R 13/6335
10,184,624 B2 *	1/2019	Chien	F21S 8/035
11,077,326 B2 *	8/2021	Roger	F16B 45/04

11,098,863 B2 *	8/2021	Chien	F21S 9/022
2014/0213104 A1 *	7/2014	Hector, Jr.	H01R 24/30 439/573
2018/0154196 A1 *	6/2018	Cowell	A62B 35/0031

OTHER PUBLICATIONS

Bert, Hardware Accessories, <https://bertbrain.com/hardware-bert-accessories/>, 2021, (web) (Year: 2021).*

* cited by examiner

Primary Examiner — Keli L Hill

Assistant Examiner — Harold E Blackwell, II

(74) *Attorney, Agent, or Firm* — Clause Eight; Michael Catania

(57) **CLAIM**

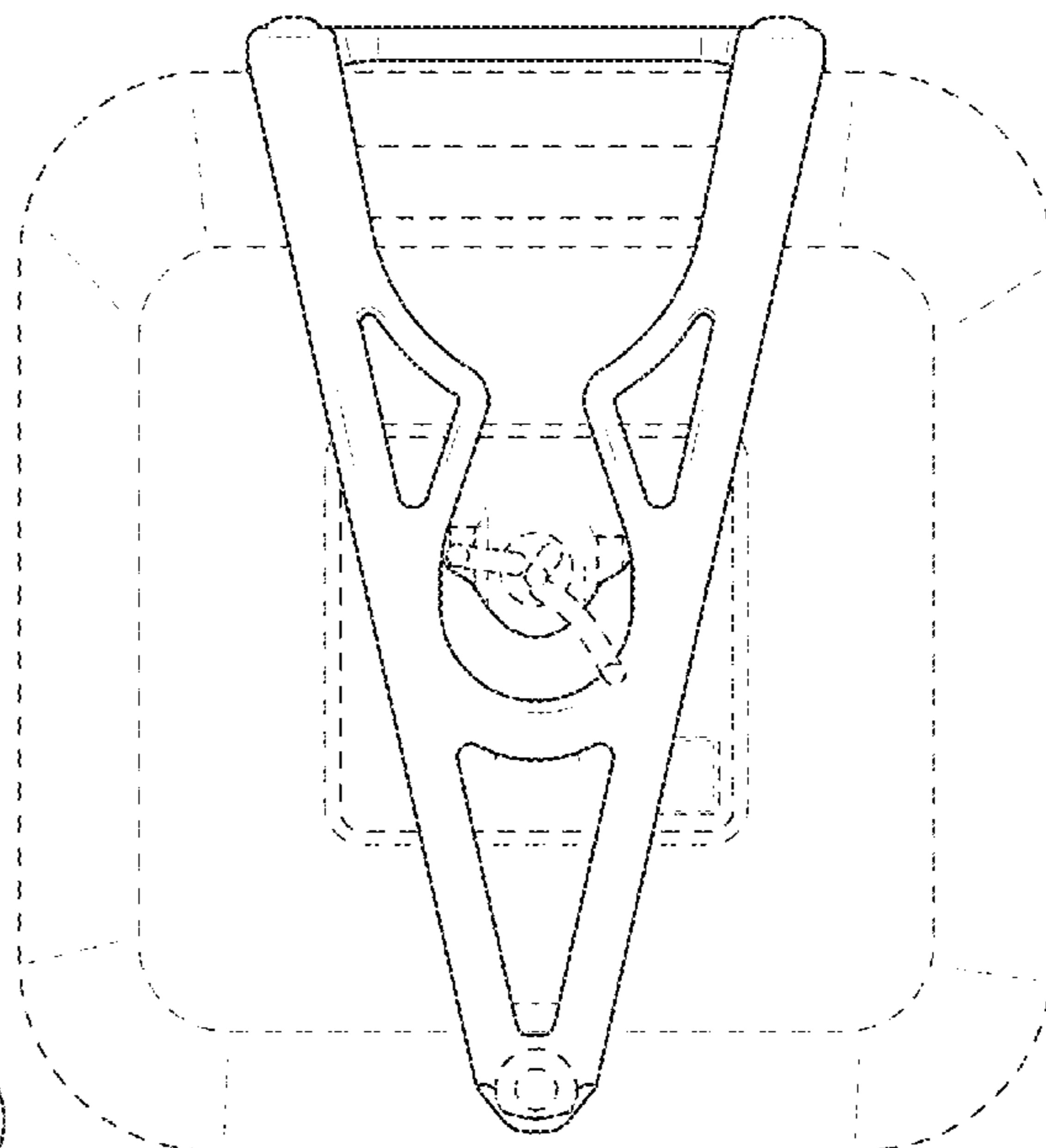
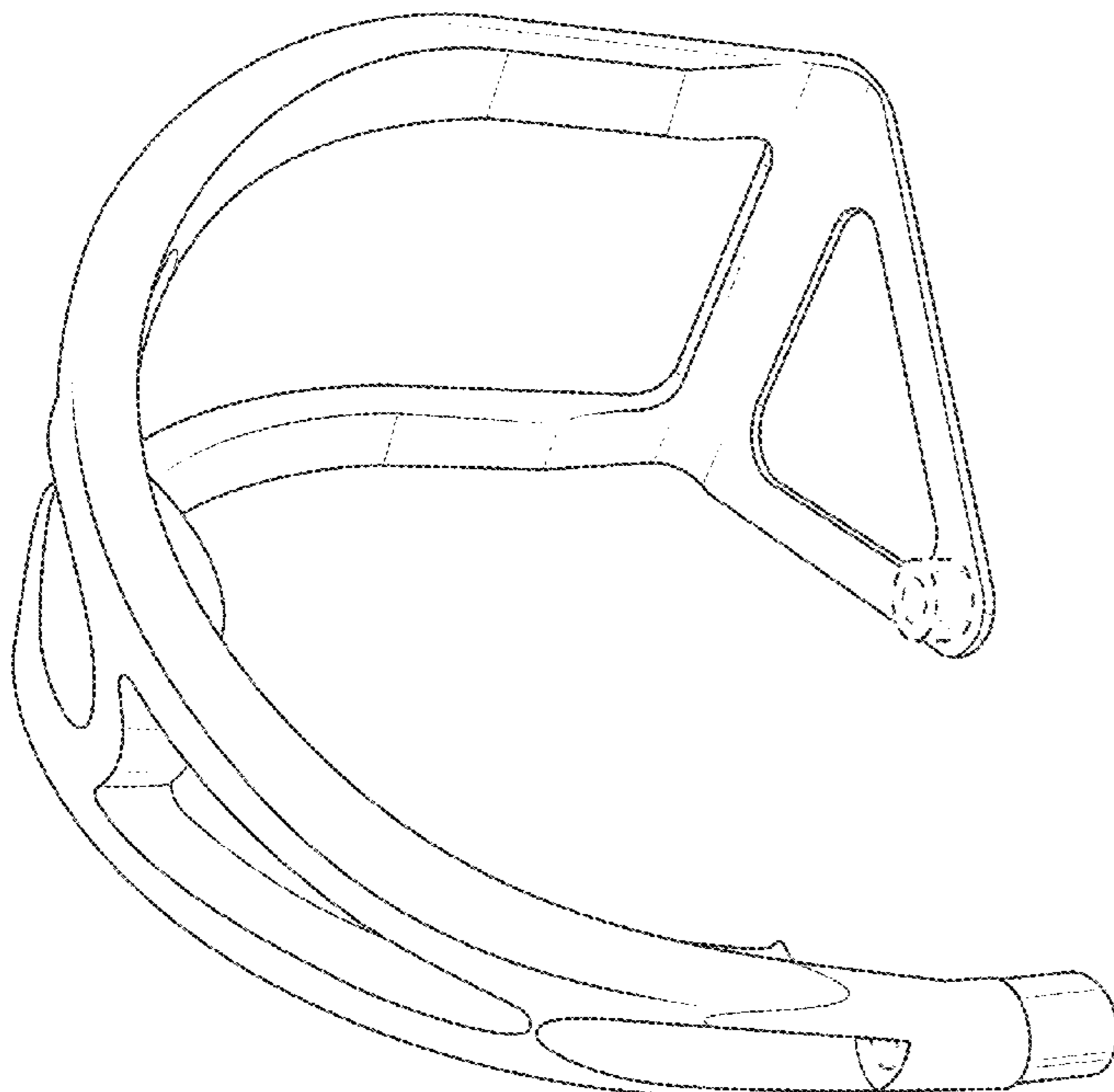
The ornamental design for a outlet harness device, as shown and described.

DESCRIPTION

FIG. 1 is a side elevation view of an outlet harness device; FIG. 2 is an opposing side elevation view thereof; FIG. 3 is a front elevation view thereof; FIG. 4 is a rear elevation view thereof; FIG. 4 is a side elevation view thereof; FIG. 5 is top plan view thereof; FIG. 6 is a bottom plan view thereof; FIG. 7 is a bottom perspective view thereof; and, FIG. 8 is a front elevation view of an outlet harness device positioned over a power control device (in broken line) plugged into an electrical outlet.

The broken line in the figure drawings represents unclaimed environment only and forms no part of the claimed design.

1 Claim, 7 Drawing Sheets



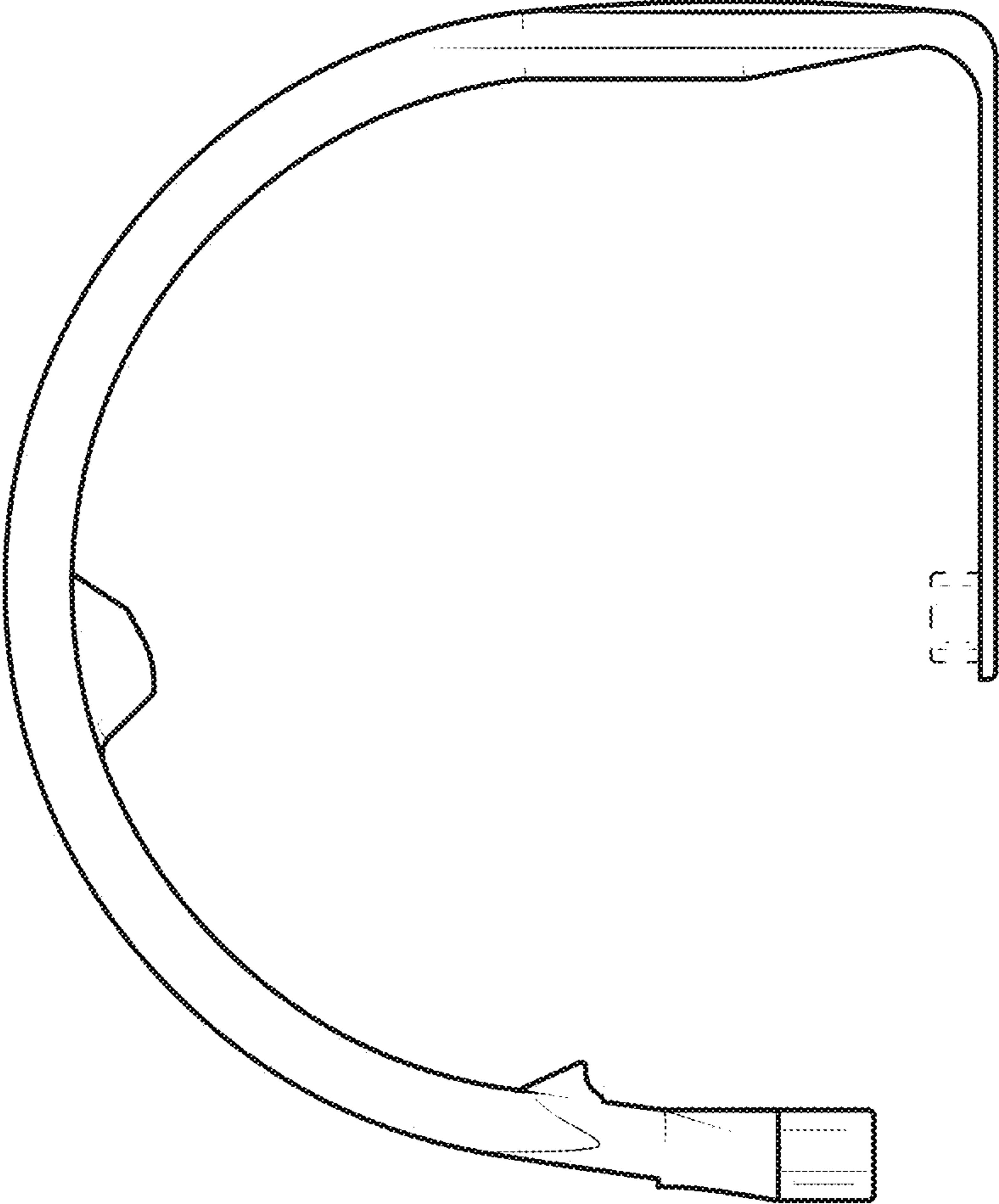


FIG. 1

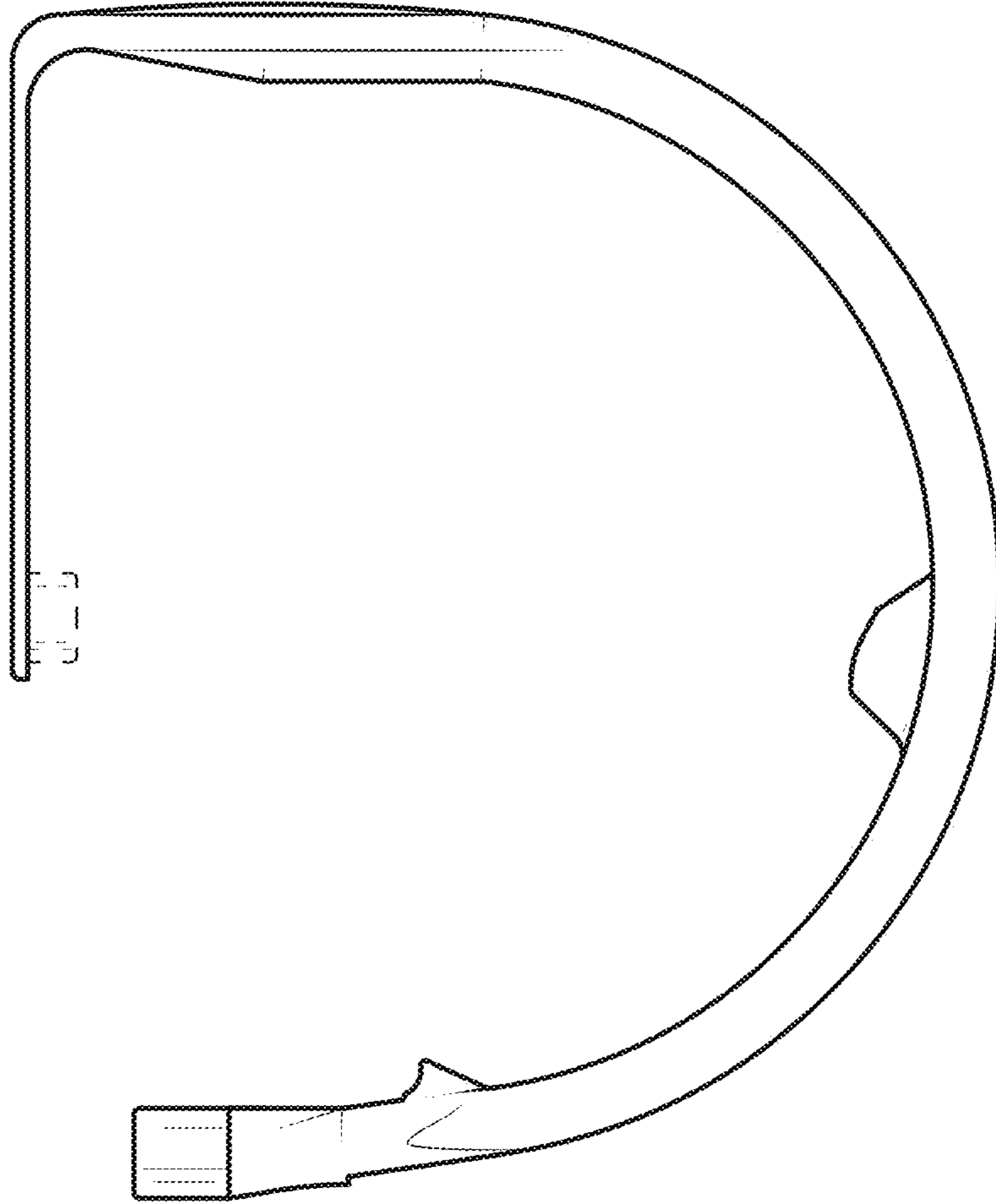


FIG. 2

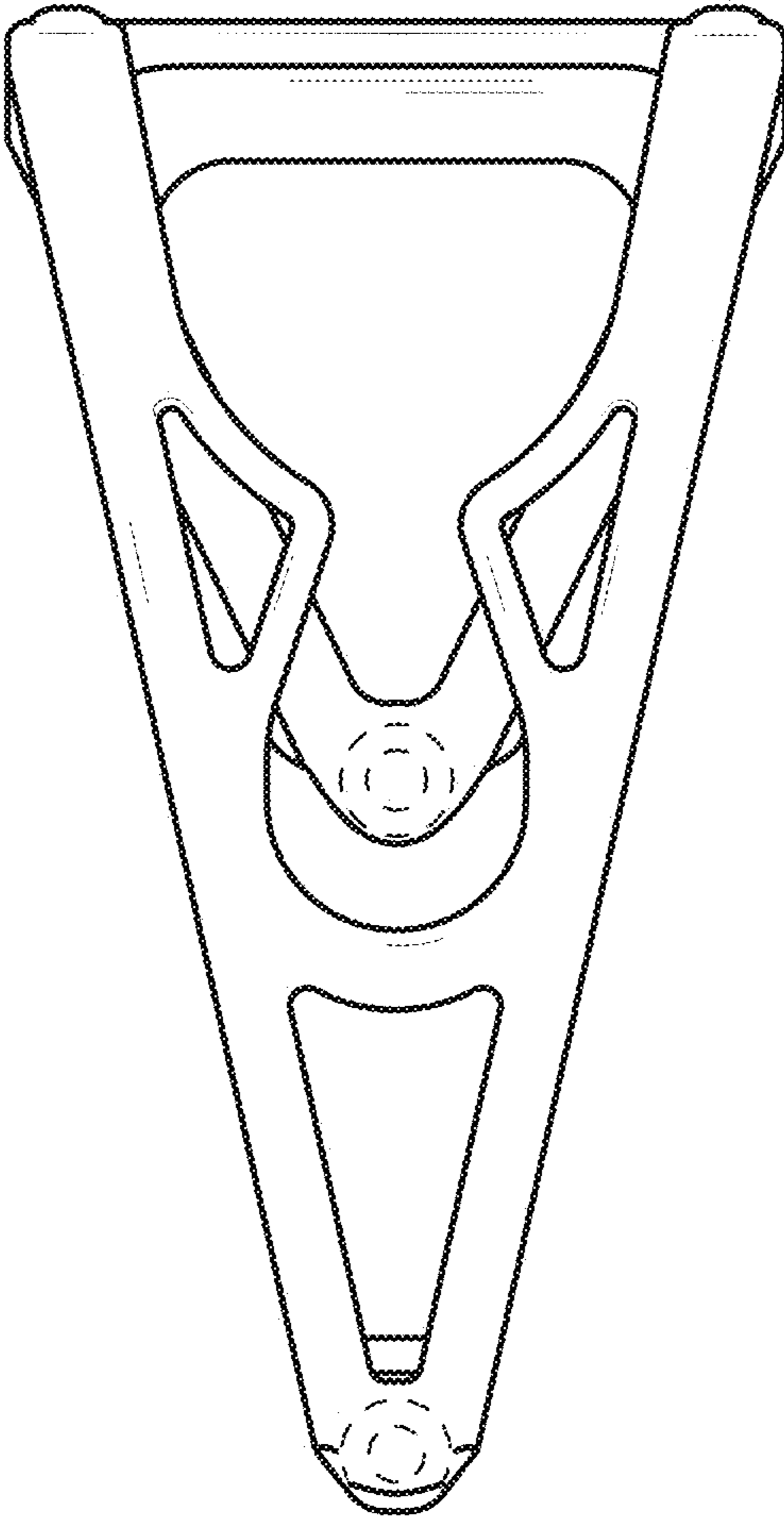


FIG. 3

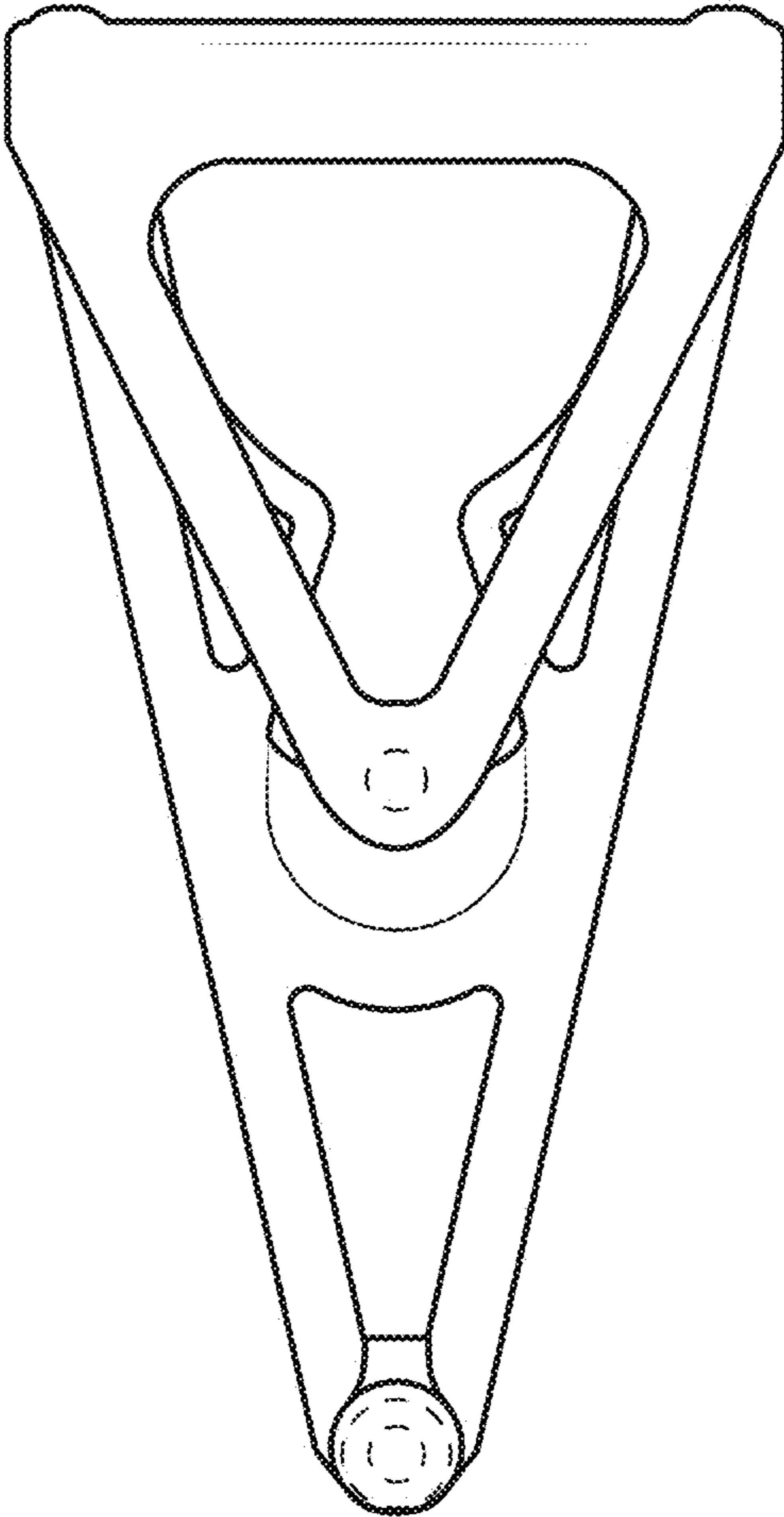


FIG. 4

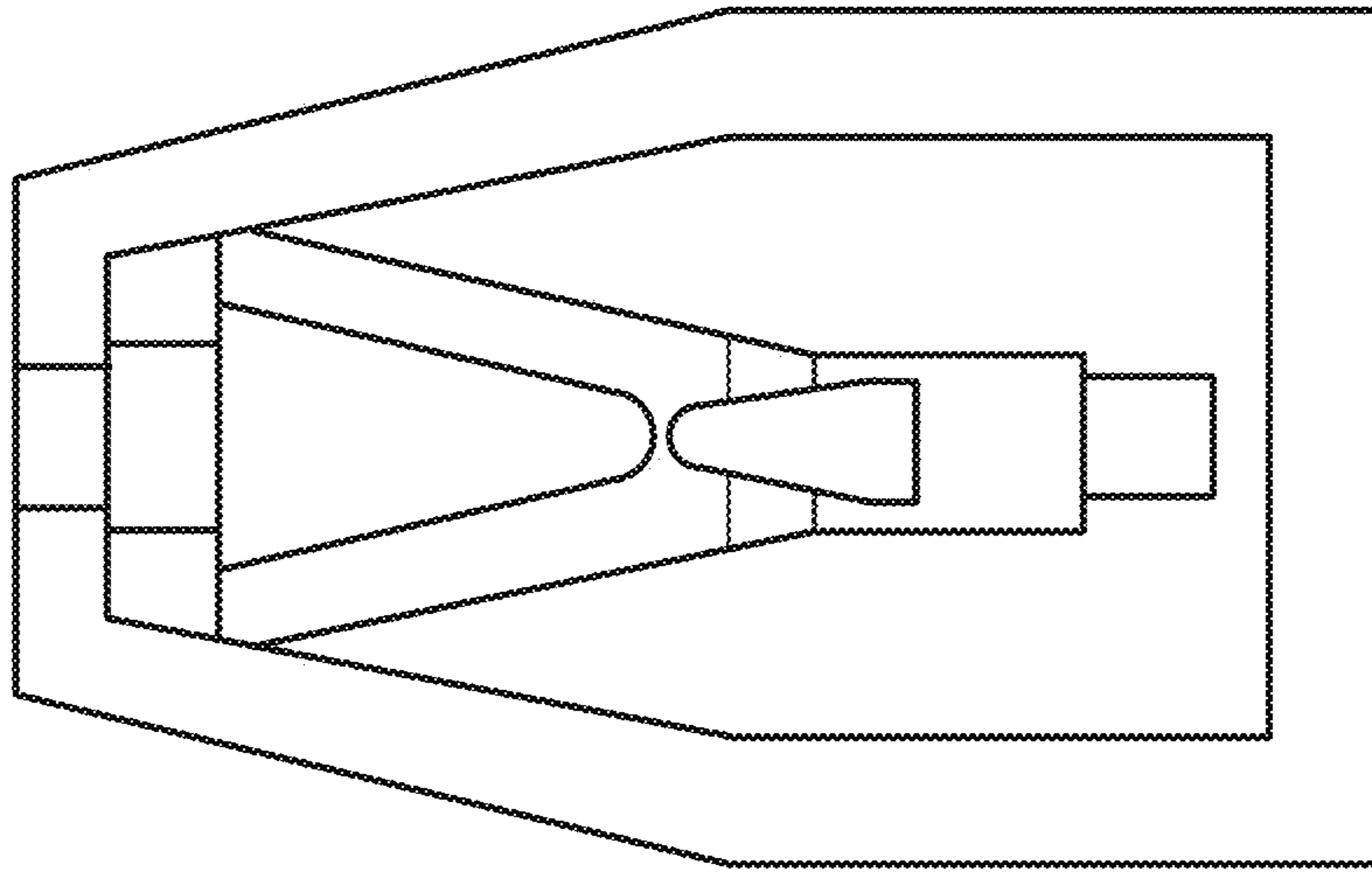


FIG. 5

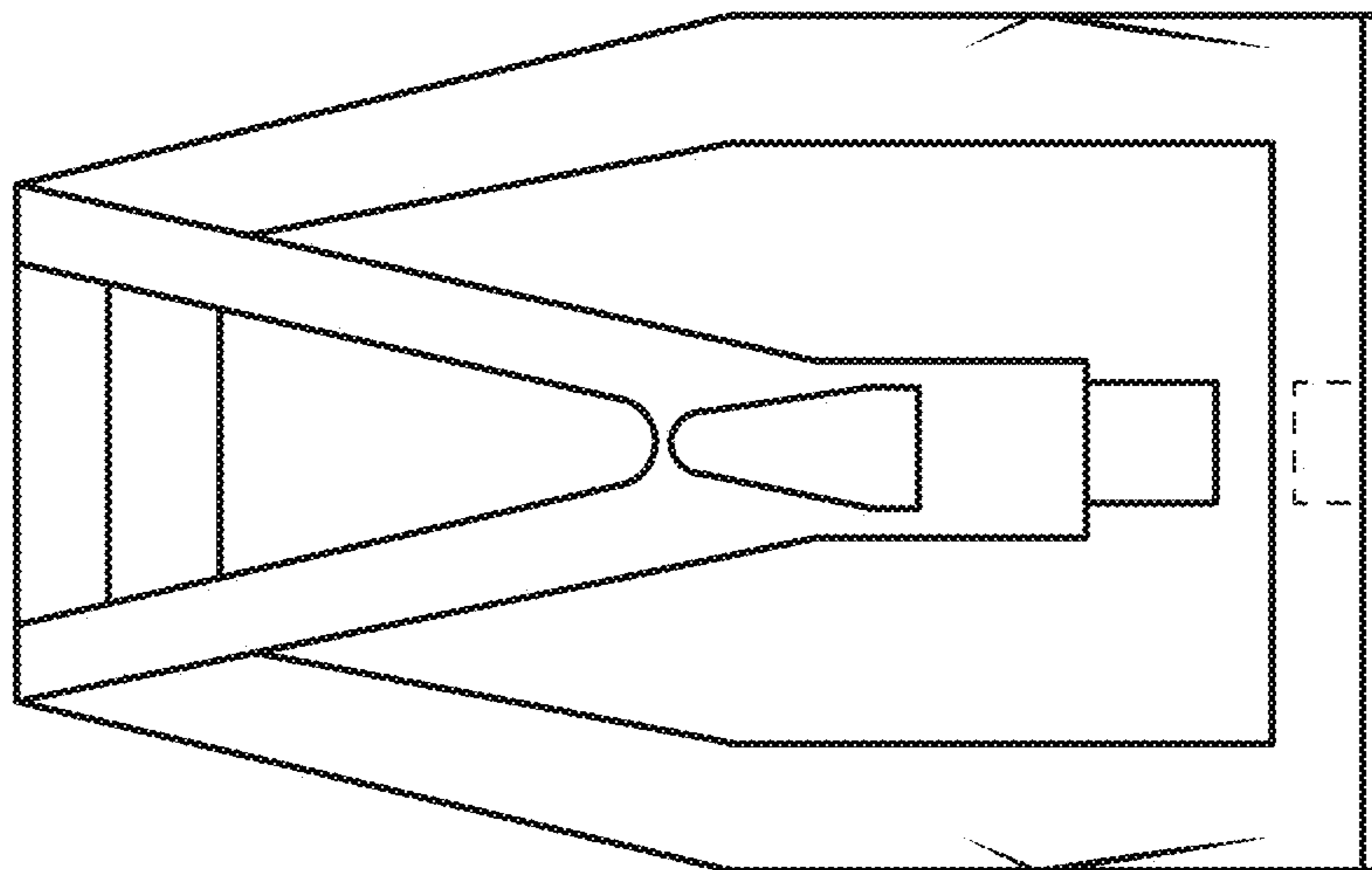


FIG. 6

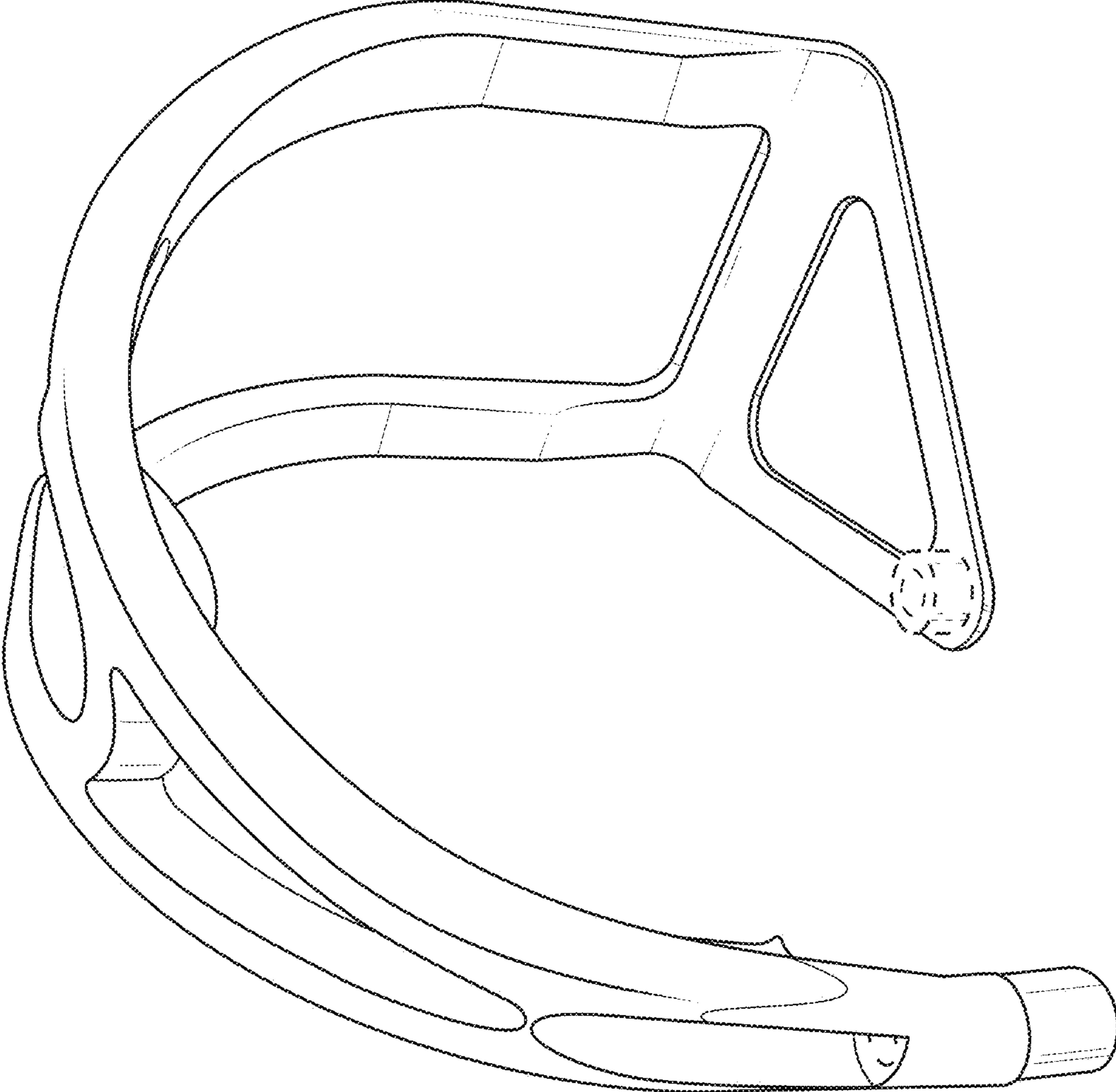


FIG. 7

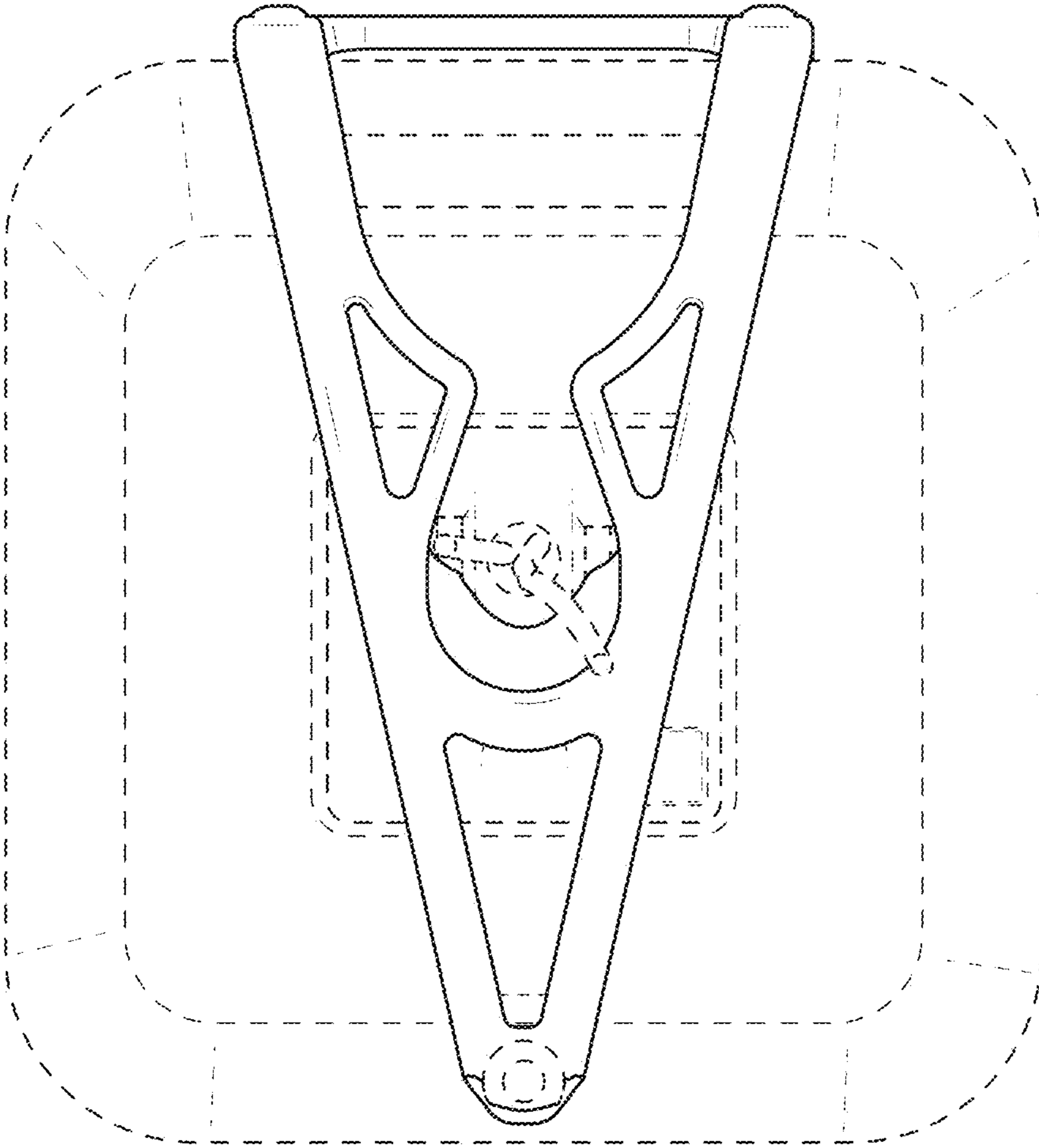


FIG. 8