



US00D964299S

(12) **United States Design Patent** (10) **Patent No.:** **US D964,299 S**
Zhu (45) **Date of Patent:** **** Sep. 20, 2022**

(54) **LIGHTING CONTROLLER CASING**

(56) **References Cited**

(71) Applicant: **Ganzhou Shangjie Technology Co., Ltd.**, Ganzhou (CN)

U.S. PATENT DOCUMENTS

(72) Inventor: **Jianjun Zhu**, Ganzhou (CN)

D427,454 S * 7/2000 Munch D13/184
D450,045 S * 11/2001 Yang D13/184
D585,852 S * 2/2009 Chen D13/184

(73) Assignee: **GANZHOU SHANGJIE TECHNOLOGY CO., LTD.**, Ganzhou (CN)

(Continued)

FOREIGN PATENT DOCUMENTS

(**) Term: **15 Years**

PH 3-2005-463-0001 * 1/1900

(21) Appl. No.: **29/717,773**

OTHER PUBLICATIONS

(22) Filed: **Dec. 19, 2019**

“Anker Power Strip Surge Protector with USB, 5 ft Extension Cord, Flat Plug, 331 Power Strip with 6 Outlets and 3 USB Ports, Charging Station, Compact for Cruise Ship Travel, Home, Dorm Room and Office”, first available Mar. 15, 2021. Amazon.com [https://www.amazon.com/dp/B08YY9X1JV] (Year: 2021).*

(51) **LOC (13) Cl.** **13-03**

(52) **U.S. Cl.**
USPC **D13/184**

(Continued)

(58) **Field of Classification Search**

USPC D13/107, 108, 110, 137.1, 137.2, 137.3, D13/137.4, 138.1, 138.2, 139.1, 139.2, D13/139.3, 139.4, 139.5, 139.6, 139.7, D13/139.8, 146, 151, 152, 153, 154, 158, D13/159, 160, 161, 162, 162.1, 163, 164, D13/165, 166, 167, 168, 169, 171, 172, D13/173, 174, 175, 176, 177, 178, 179, D13/184, 199
CPC H01R 13/00; H01R 13/03; H01R 13/04; H01R 13/10; H01R 13/35; H01R 13/44; H01R 13/46; H01R 13/453; H01R 13/4534; H01R 13/502; H01R 13/506; H01R 13/514; H01R 13/518; H01R 13/6272; H01R 13/631; H01R 13/639; H01R 13/652; H01R 13/665; H01R 13/6633; H01R 13/6666; H01R 13/6675; H01R 13/7135; H01R 31/02; H01R 31/06; H01R 31/065; H01R 25/00; H01R 25/006; H01R 9/00; H01R 11/00; H01R 35/04; H01R 2201/06; H01H 2207/00; H01H 2207/022; H01H 2203/00; H05K 5/00; H05K 5/03; H02G 3/088

See application file for complete search history.

Primary Examiner — Rosemary K Tarcza
Assistant Examiner — Seth David Kumpf
(74) *Attorney, Agent, or Firm* — Innovation Capital Law Group, LLP; Vic Lin

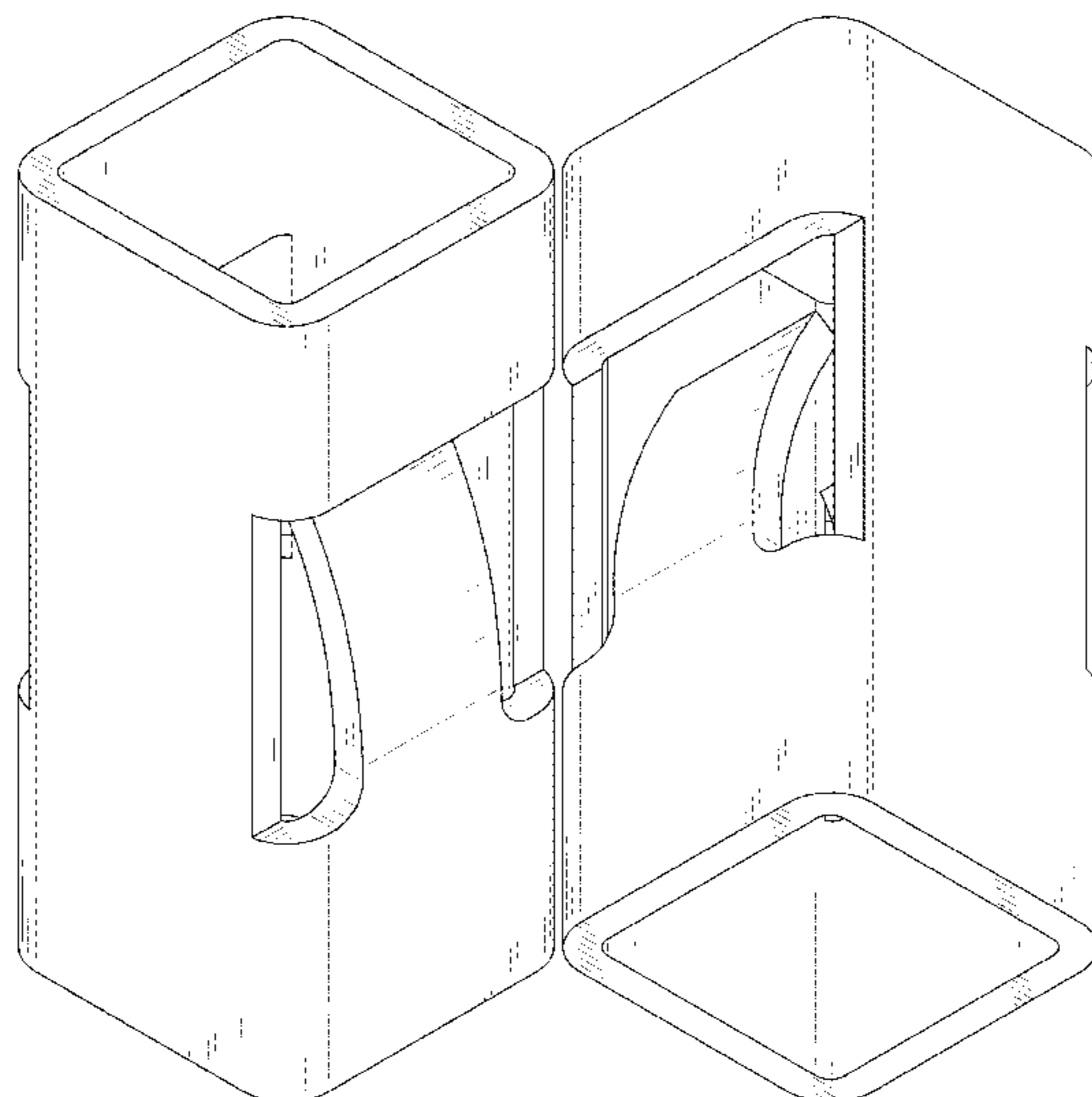
(57) **CLAIM**

The ornamental design for a lighting controller casing, as shown and described.

DESCRIPTION

FIG. 1 is a front elevation view of a lighting controller casing, showing my new design;
FIG. 2 is a rear elevation view thereof;
FIG. 3 is a right elevation view thereof;
FIG. 4 is a left elevation view thereof;
FIG. 5 is a top plan view thereof;
FIG. 6 is a bottom plan view thereof;
FIG. 7 is a top perspective view thereof; and,
FIG. 8 is a bottom perspective view thereof.

1 Claim, 8 Drawing Sheets



(56)

References Cited

U.S. PATENT DOCUMENTS

D743,358 S * 11/2015 Cagliani D13/184
D756,943 S * 5/2016 Epstein D13/184

OTHER PUBLICATIONS

“Circuit Board Instrument Box DIY Aluminum Box Adopt Split Type Design for Printed Circuit Board Wiring Aluminum Box, DIY”, first accessed Jun. 13, 2022. Amazon.com [<https://www.amazon.com/dp/B09DTLSCWF>] (Year: 2022).*

“Surge Protector Power Strip with USB C, Fararaka 6.5FT Extension Cord Flat Plug with 6 Outlets and 3 USB Ports, Wall Mountable Outlet Extender for Travel, Home, Office, Dorm Room”, first available Feb. 18, 2022. Amazon.com [<https://www.amazon.com/dp/B09QM3PDCP>] (Year: 2022).*

* cited by examiner

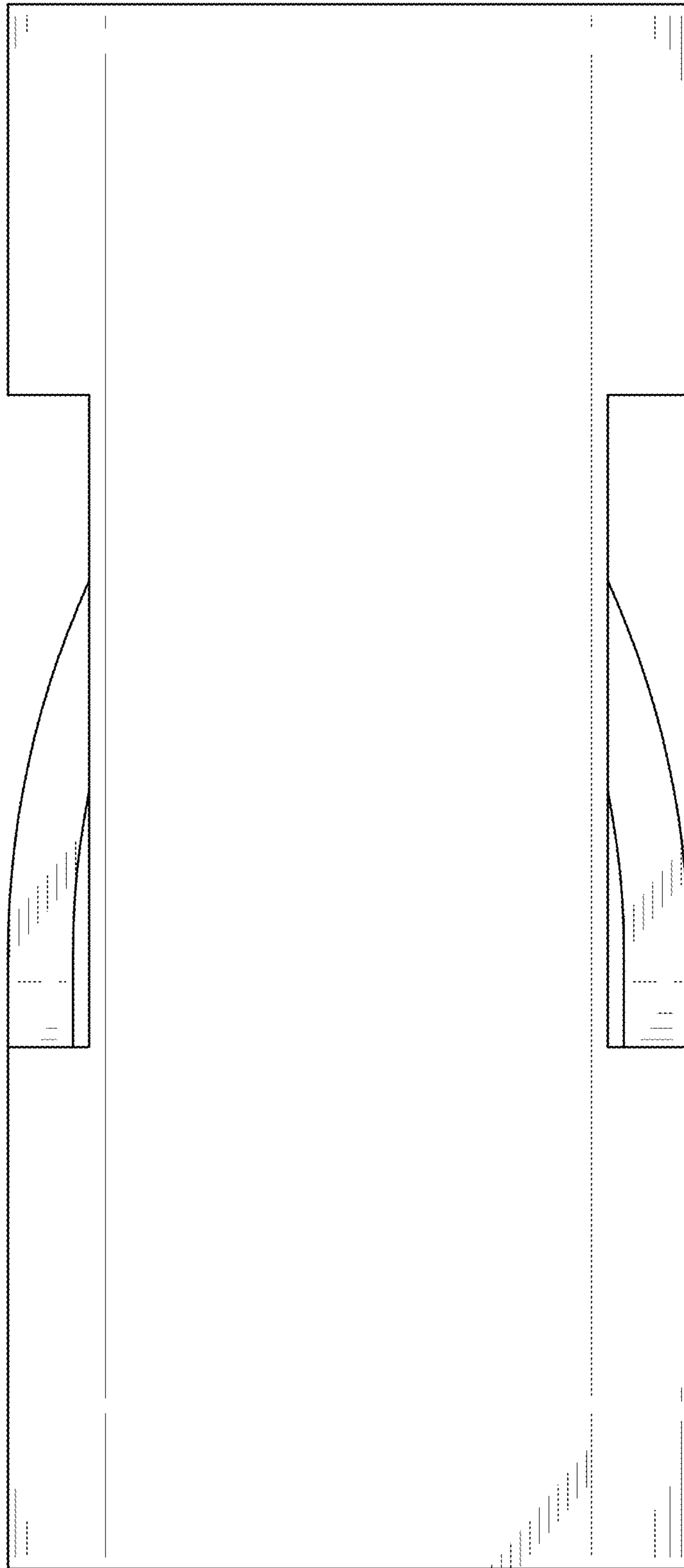


FIG. 1

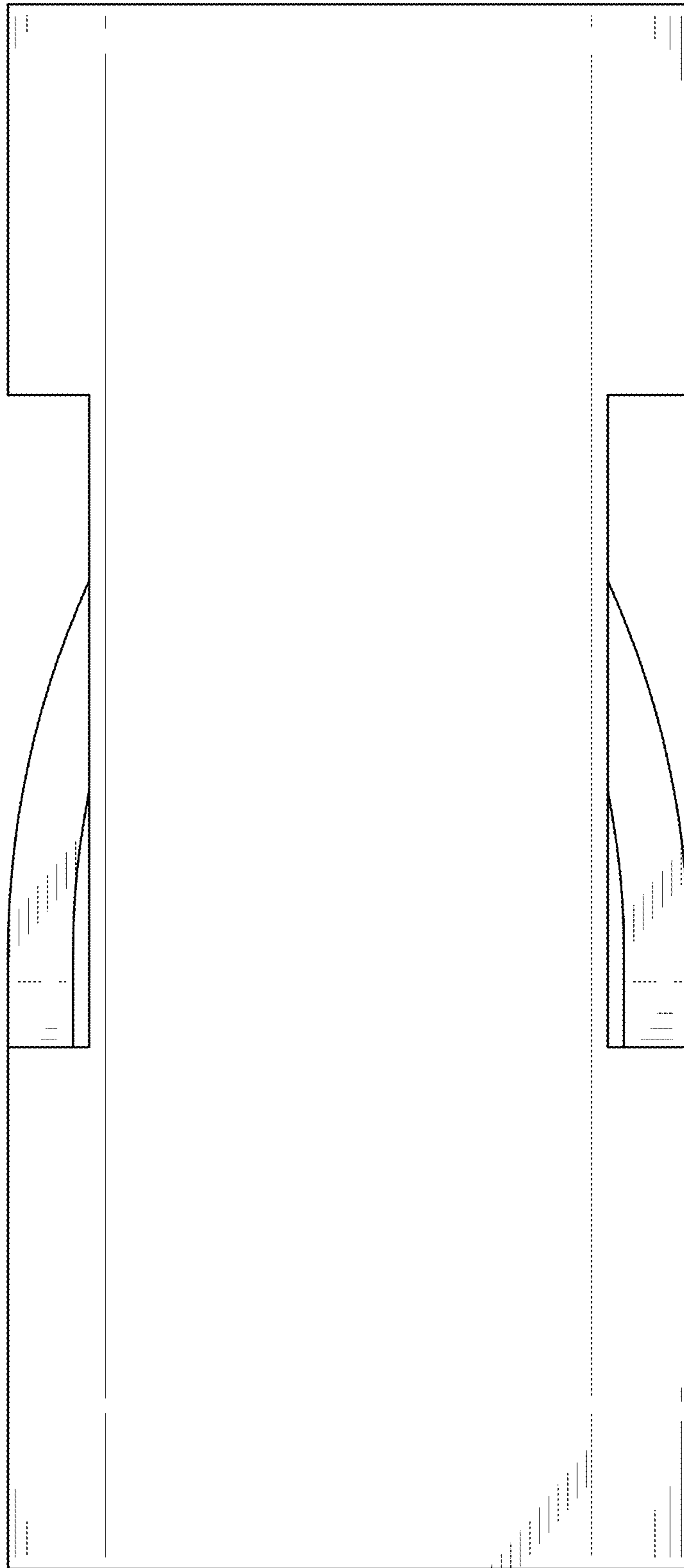


FIG. 2

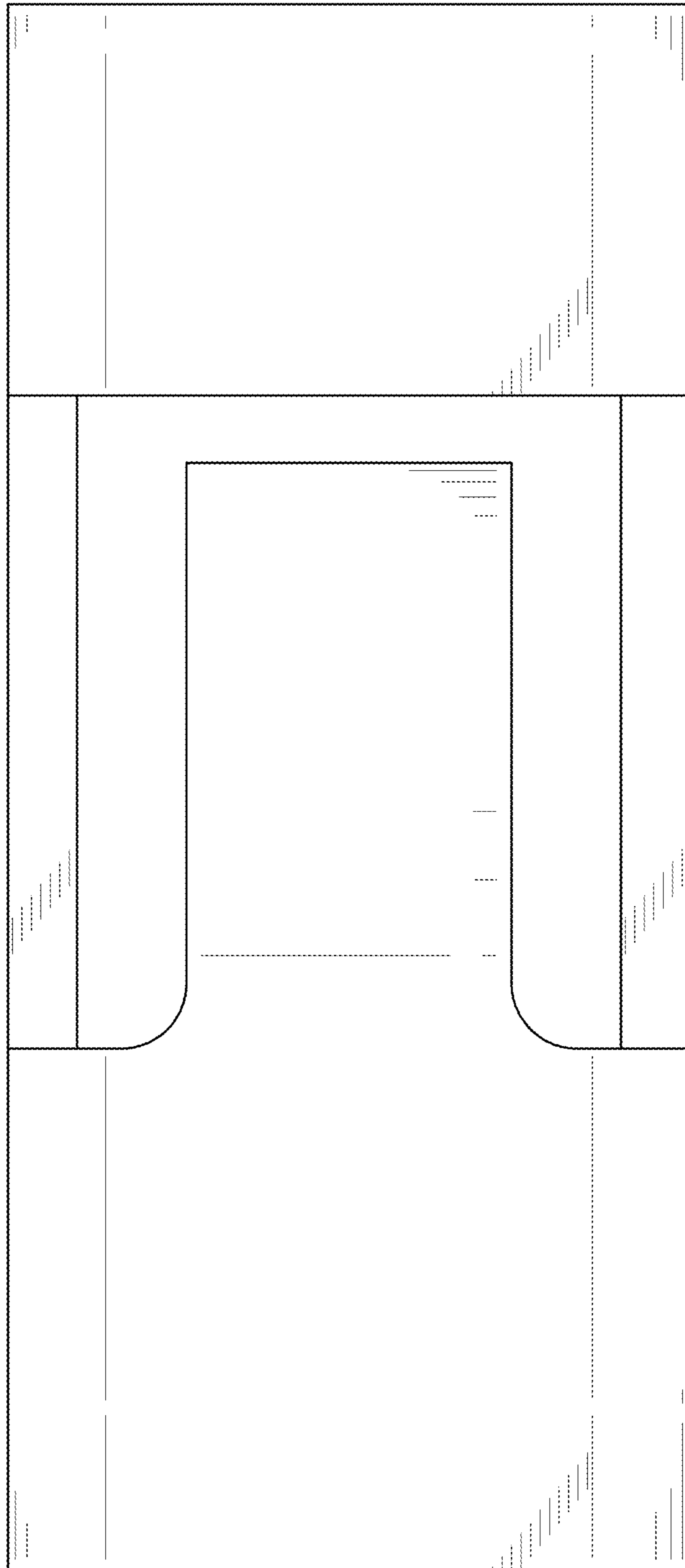


FIG. 3

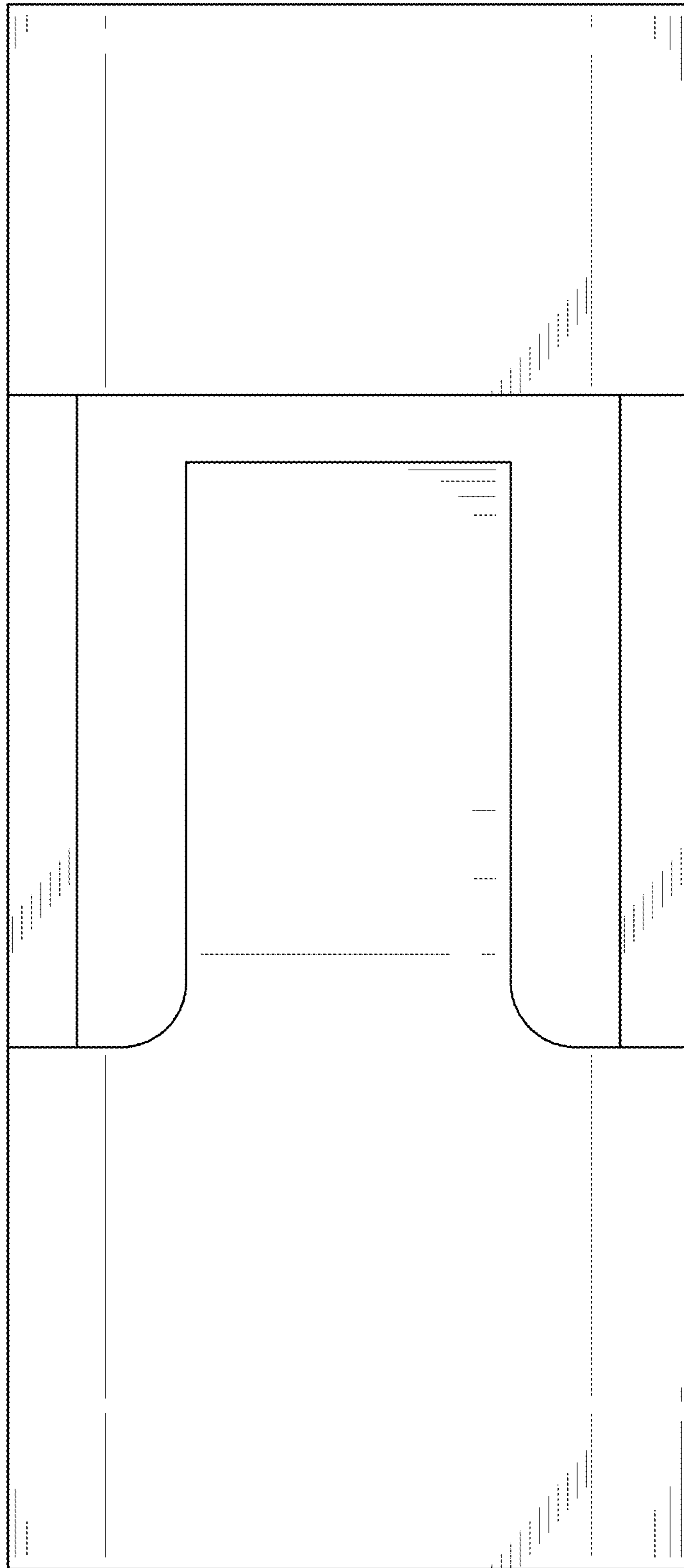


FIG. 4

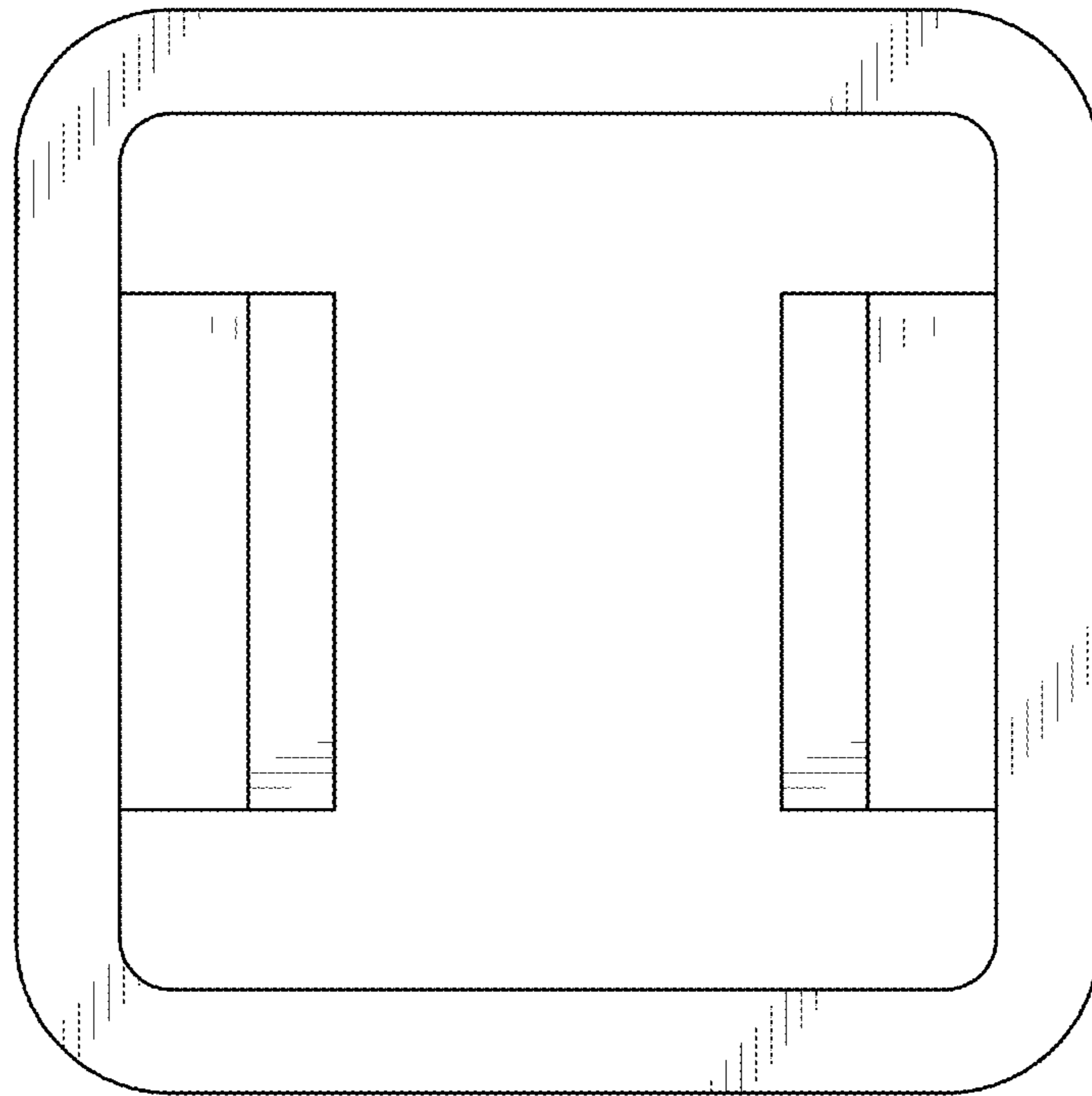


FIG. 5

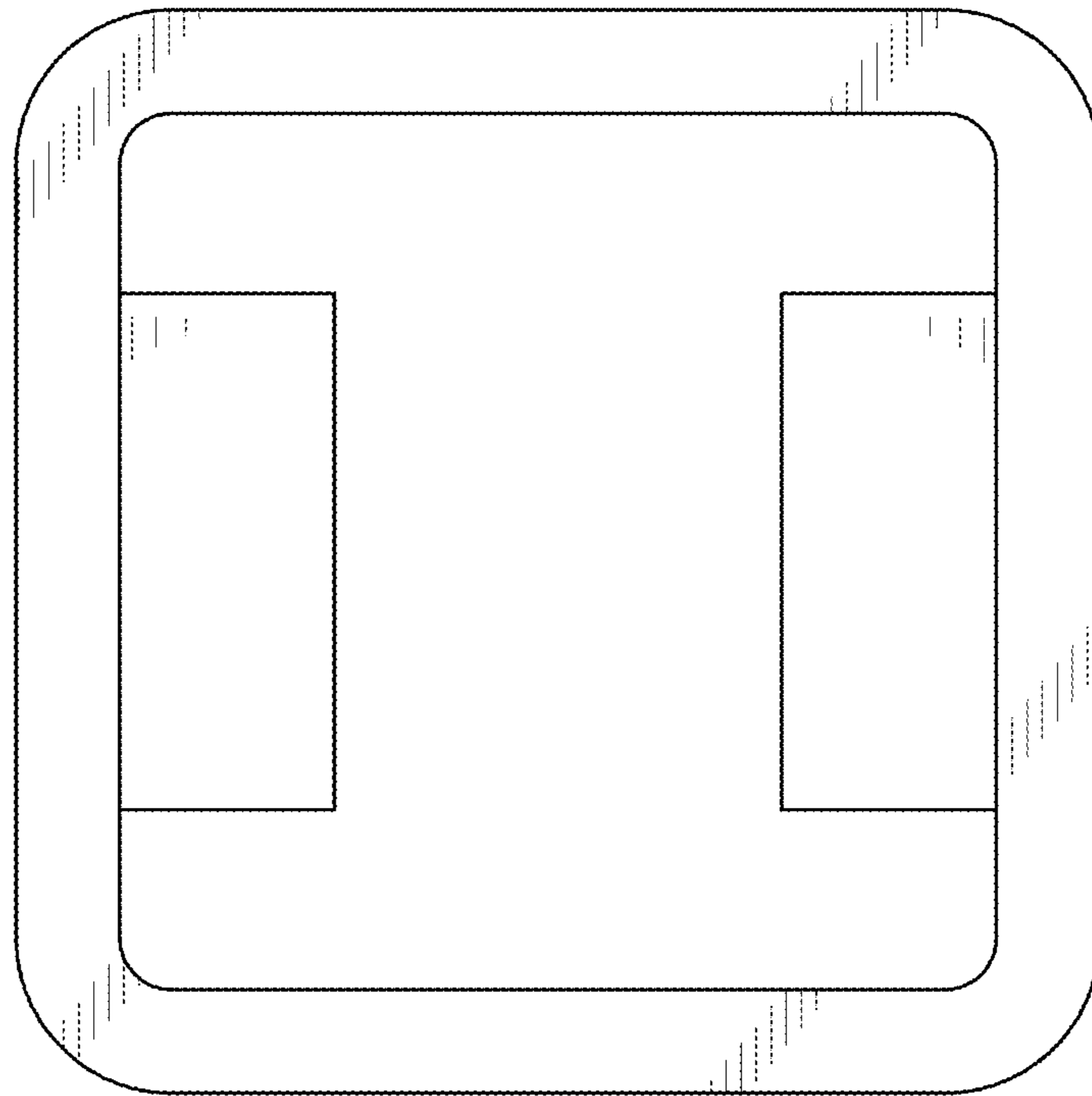


FIG. 6

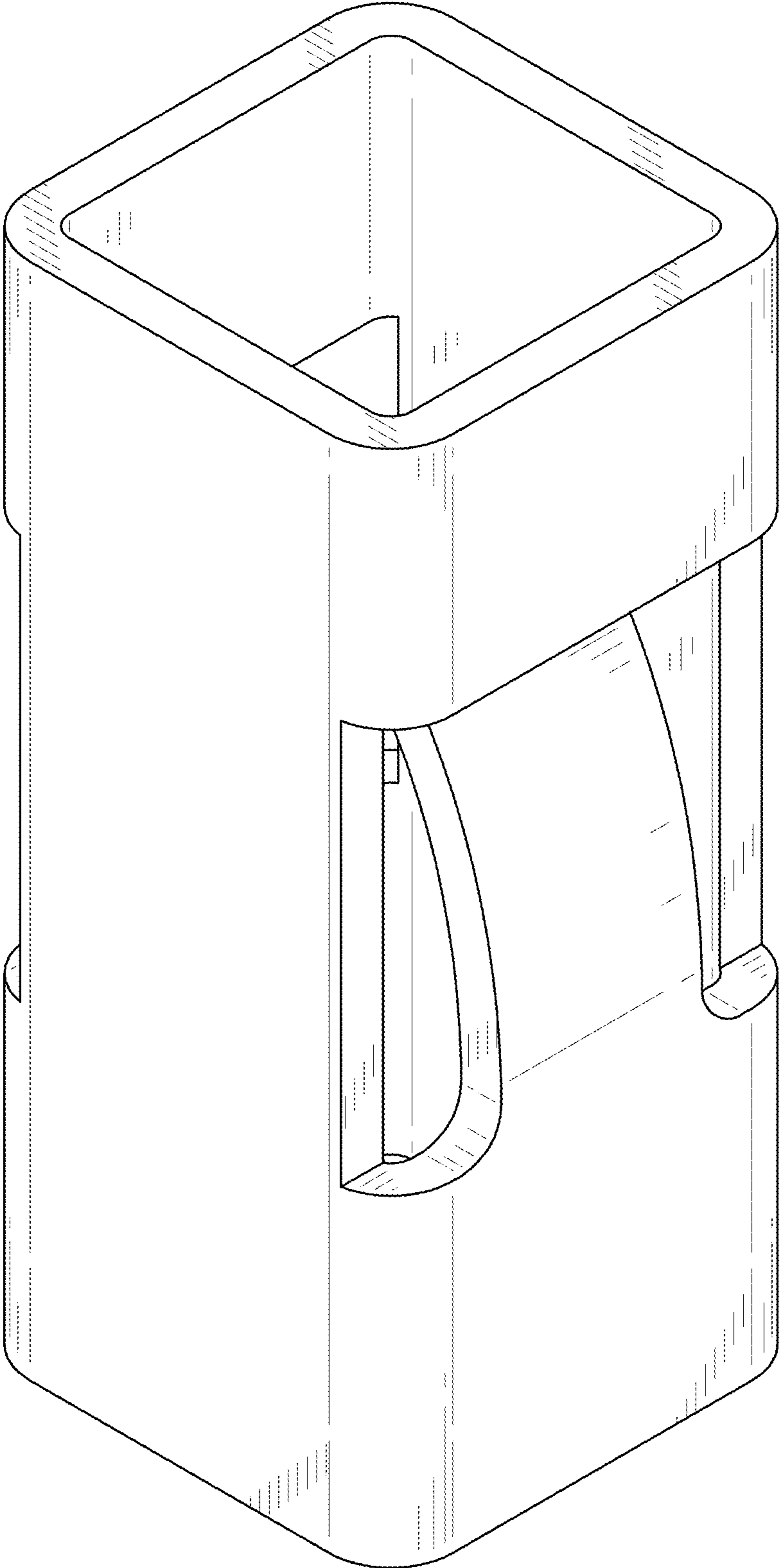


FIG. 7

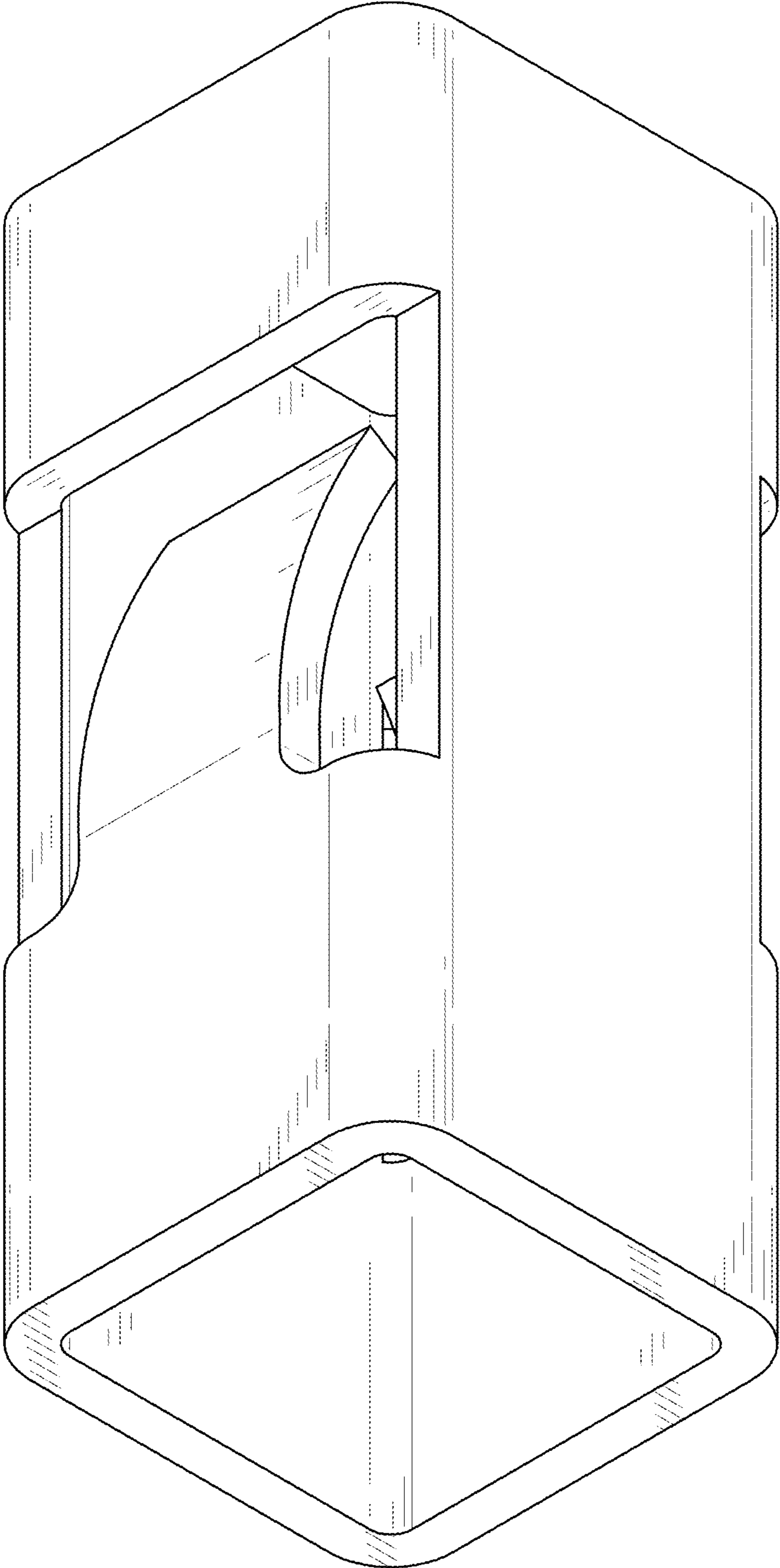


FIG. 8