



US00D964294S

(12) **United States Design Patent**  
**Okayasu et al.**

(10) **Patent No.:** **US D964,294 S**

(45) **Date of Patent:** **\*\* Sep. 20, 2022**

(54) **ELECTRICAL CONNECTOR HOLDER**

E05C 17/025; E05C 17/54; F03D 80/50;  
H01R 13/74; H05B 41/02

(71) Applicant: **SUMITOMO WIRING SYSTEMS, LTD.**, Mie-ken (JP)

See application file for complete search history.

(72) Inventors: **Yasushi Okayasu**, Yokkaichi (JP);  
**Takeshi Matsumoto**, Yokkaichi (JP);  
**Shinichiro Morishita**, Yokkaichi (JP)

(56) **References Cited**

U.S. PATENT DOCUMENTS

D246,346 S \* 11/1977 Strunk ..... D8/399  
D379,622 S \* 6/1997 Lynn ..... D13/154

(Continued)

(73) Assignee: **SUMITOMO WIRING SYSTEMS, LTD.**, Mie-Ken (JP)

OTHER PUBLICATIONS

(\*\*) Term: **15 Years**

Tarluz, Date: Apr. 4, 2019, [online], [site visited May 7, 2022].  
Available from internet, URL: <http://www.tarluz.com/product-details/sumitomo-fh-seires-fiber-holders/> (Year: 2019).\*

(21) Appl. No.: **29/771,706**

(Continued)

(22) Filed: **Feb. 24, 2021**

(30) **Foreign Application Priority Data**

Aug. 27, 2020 (JP) ..... 2020-018012 D

(51) **LOC (13) Cl.** ..... **13-03**

(52) **U.S. Cl.**  
USPC ..... **D13/154**; D13/133; D13/199

(58) **Field of Classification Search**  
USPC ..... D8/71-72, 323, 349, 354, 356, 366,  
D8/380-382, 394-396, 499; D9/455;  
D11/1, 95; D12/51, 406, 180, 223;  
D13/119-120, 122, 128, 133, 139.4,  
D13/146-149, 152, 154, 162.1, 173, 182,  
D13/183, 199; D14/239, 435, 437;  
D15/138, 143; D20/27; D21/484, 694;  
D23/223, 262, 411; D25/68, 199  
CPC .. F16B 1/00; F16B 11/00; F16B 17/00; F16B  
2200/00; F16B 7/0486; F16C 33/583;  
F16C 43/04; F16C 19/36; F16C 35/073;  
F16D 1/0847; B23B 31/18; B65H 75/08;  
H05K 7/023; H05K 7/026; Y10T 292/45;  
Y10T 24/44966; A63H 33/26; A63H  
33/042; A63H 33/046; E06B 9/174;  
A47H 1/03; A47H 1/14; B23Q 1/01;

*Primary Examiner* — Shawn T Gingrich

*Assistant Examiner* — Bryan N. Melvin

(74) *Attorney, Agent, or Firm* — Cantor Colburn LLP

(57) **CLAIM**

The ornamental design for an electrical connector holder, as shown and described.

**DESCRIPTION**

FIG. 1 is a front, top and left side perspective view of an electrical connector holder showing our new design; FIG. 2 is a front, bottom and left side perspective view thereof;

FIG. 3 is a front view thereof;

FIG. 4 is a rear view thereof;

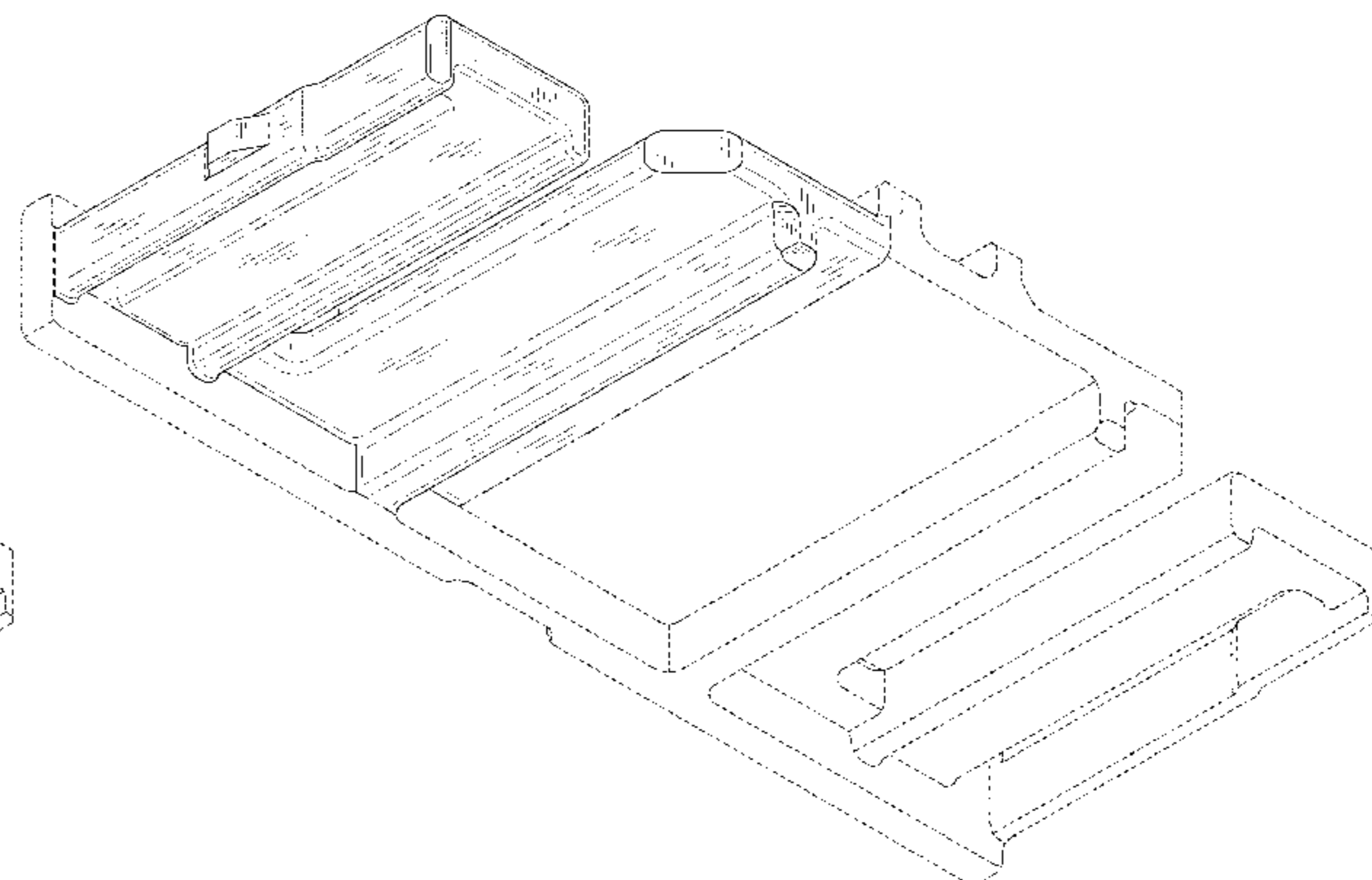
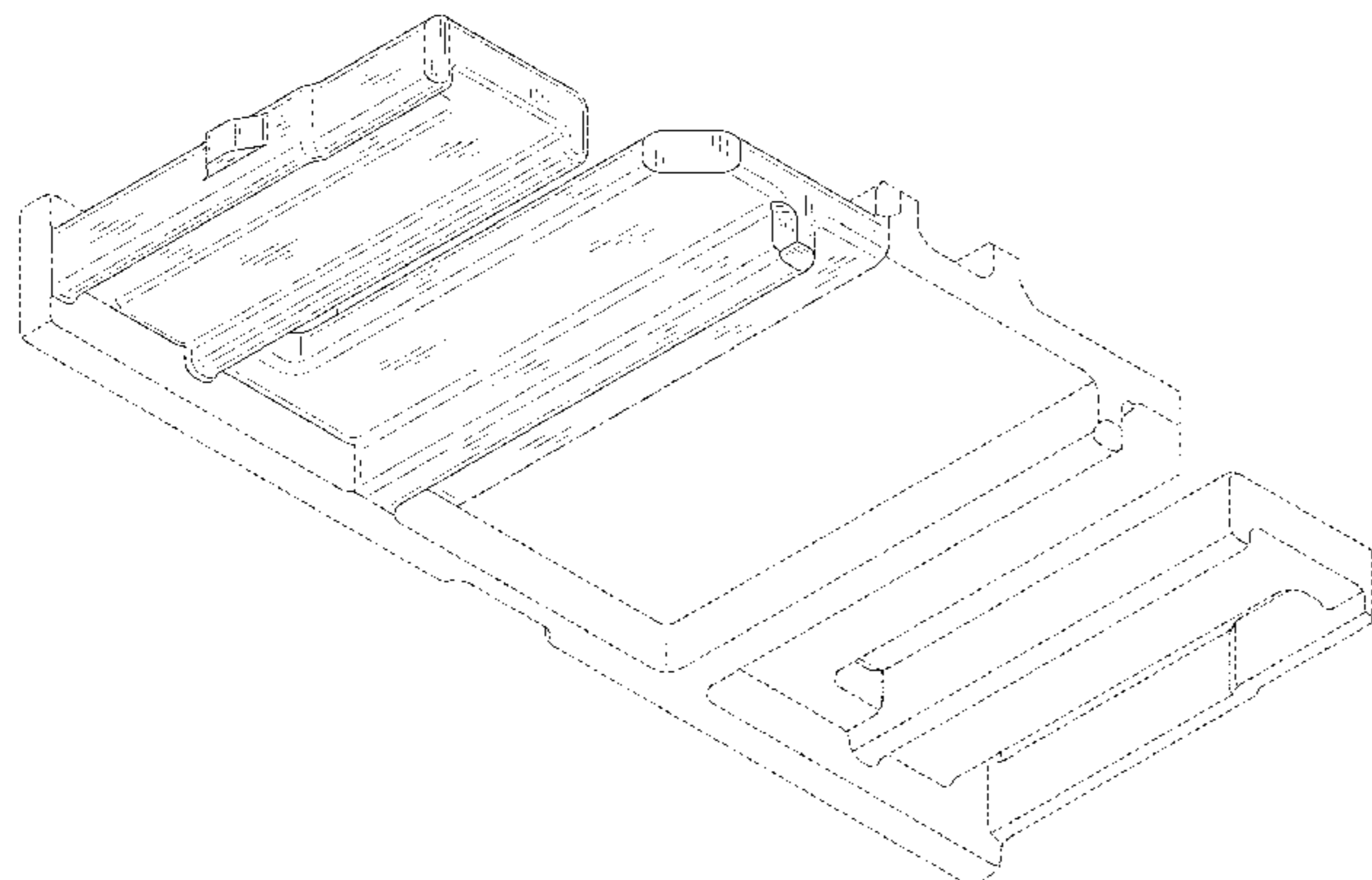
FIG. 5 is a top plan view thereof;

FIG. 6 is a bottom plan view thereof; and,

FIG. 7 is a left side view thereof.

The broken lines illustrate portions of the electrical connector holder that form no part of the claimed design. The dash-dotted lines denote the boundary of the claim and form no part of the claimed design.

**1 Claim, 7 Drawing Sheets**



(56)

**References Cited**

U.S. PATENT DOCUMENTS

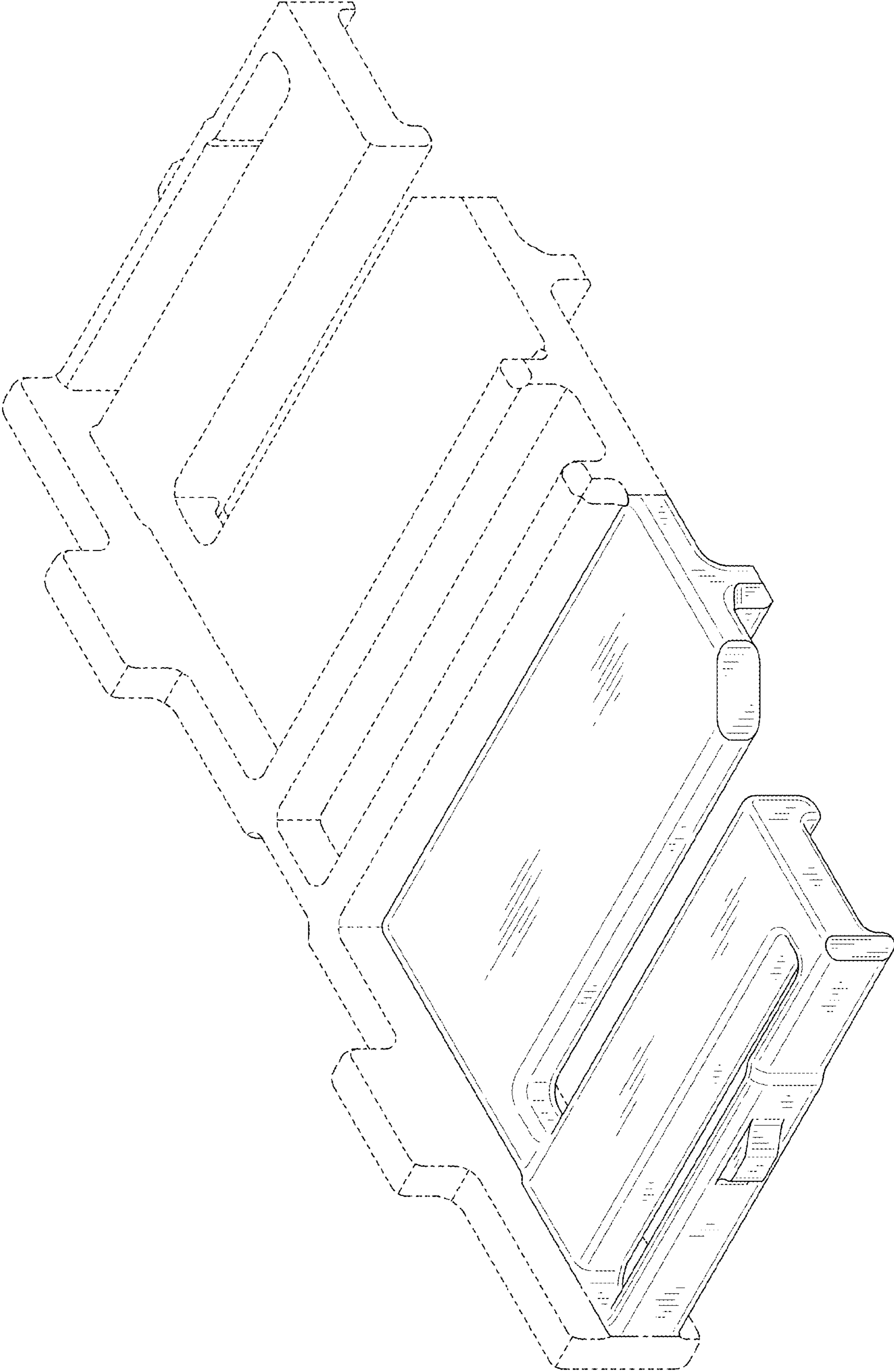
5,762,509 A \* 6/1998 Kang ..... H01R 13/74  
439/232  
6,533,516 B2 \* 3/2003 Lemelin ..... B23Q 1/01  
411/536  
D522,965 S \* 6/2006 Nakamaru ..... D13/119  
D564,979 S \* 3/2008 Tatsuyama ..... D13/173  
D679,173 S \* 4/2013 Parady ..... D8/354  
D732,939 S \* 6/2015 Cannaverde ..... E06B 9/174  
D8/371  
D786,223 S \* 5/2017 Bousfield ..... D14/496  
D843,328 S \* 3/2019 Covell ..... D13/154  
D845,250 S \* 4/2019 Covell ..... D13/154  
D877,706 S \* 3/2020 Karasawa ..... D13/182  
D949,115 S \* 4/2022 Coleman ..... D13/173

OTHER PUBLICATIONS

Sumitomo, Date: Oct. 20, 2020, [online], [site visited May 7, 2022].  
Available from internet, URL: <https://global-sei.com/sumitomo-electric-splicers/asia/products/other-accessories/holder-clamp.html> (Year: 2020).\*

\* cited by examiner

FIG.1





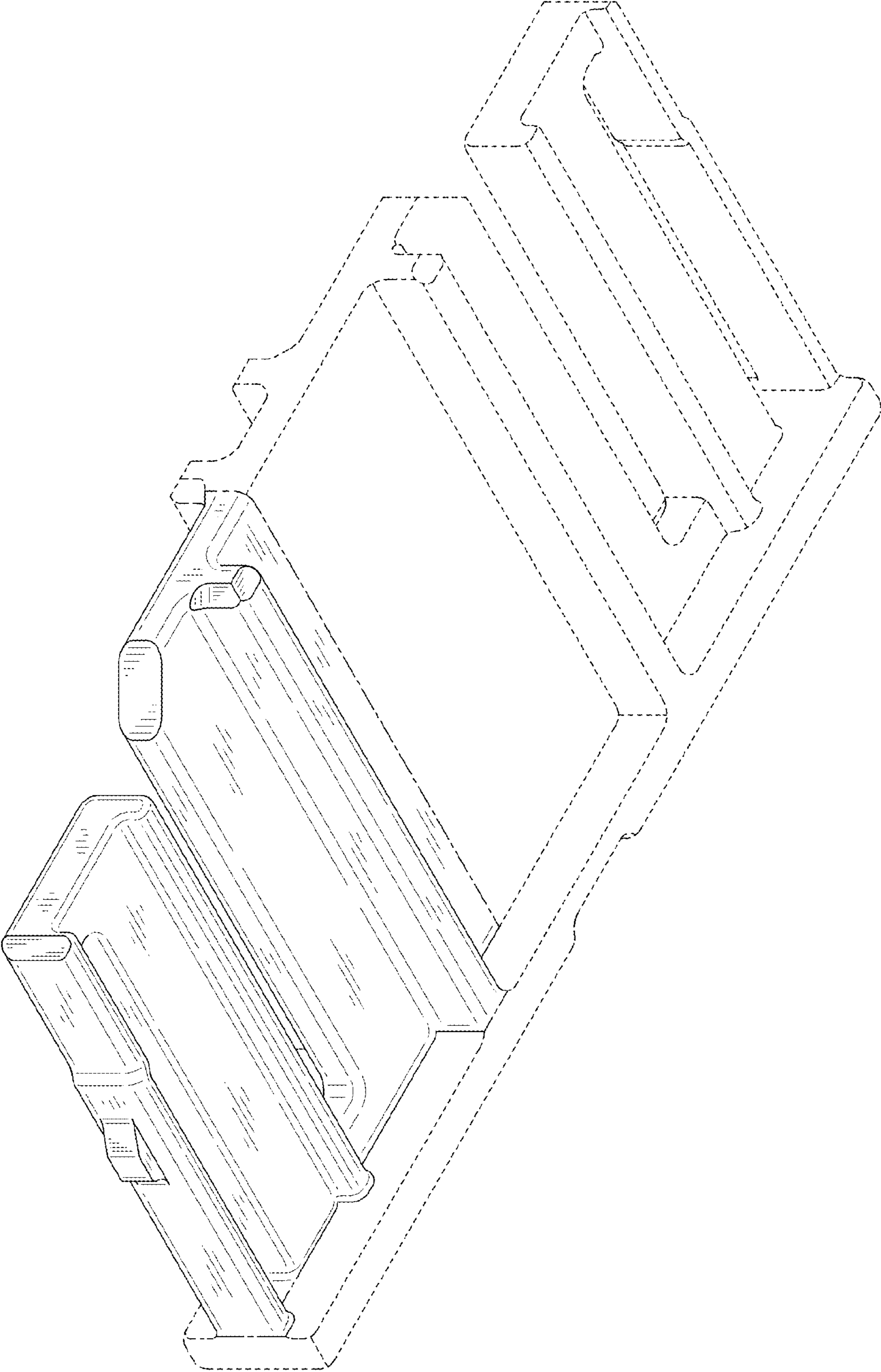


FIG.2

FIG.3

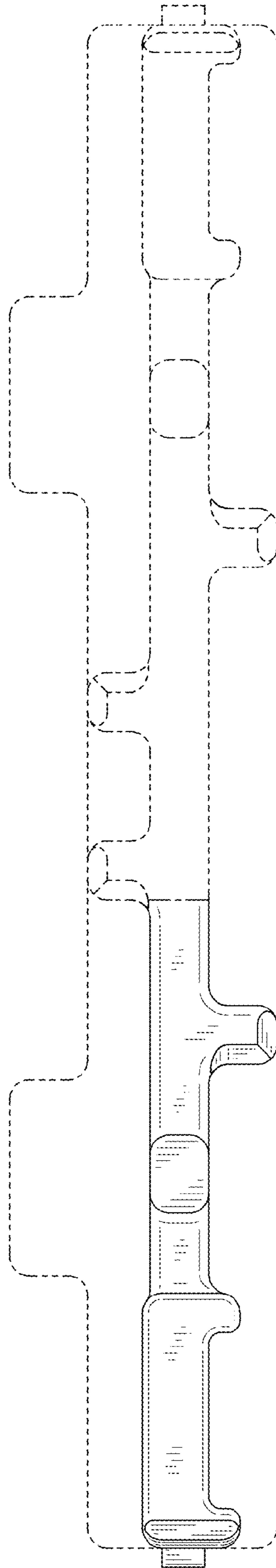


FIG.4

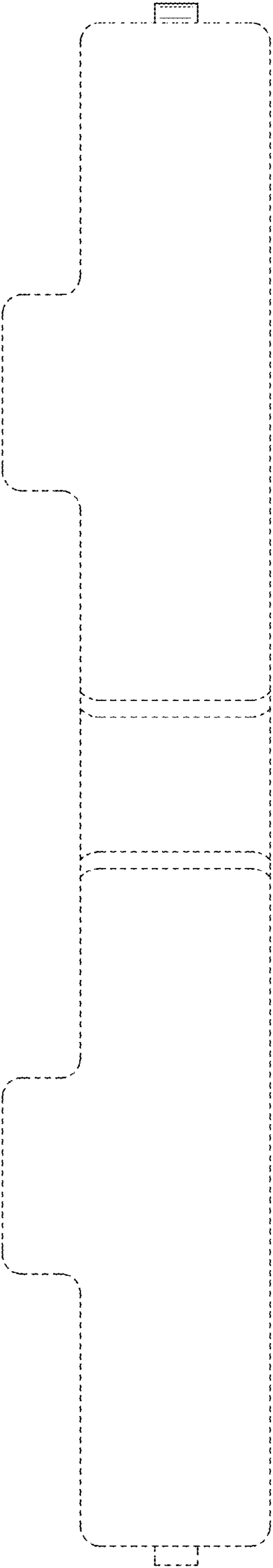


FIG. 5

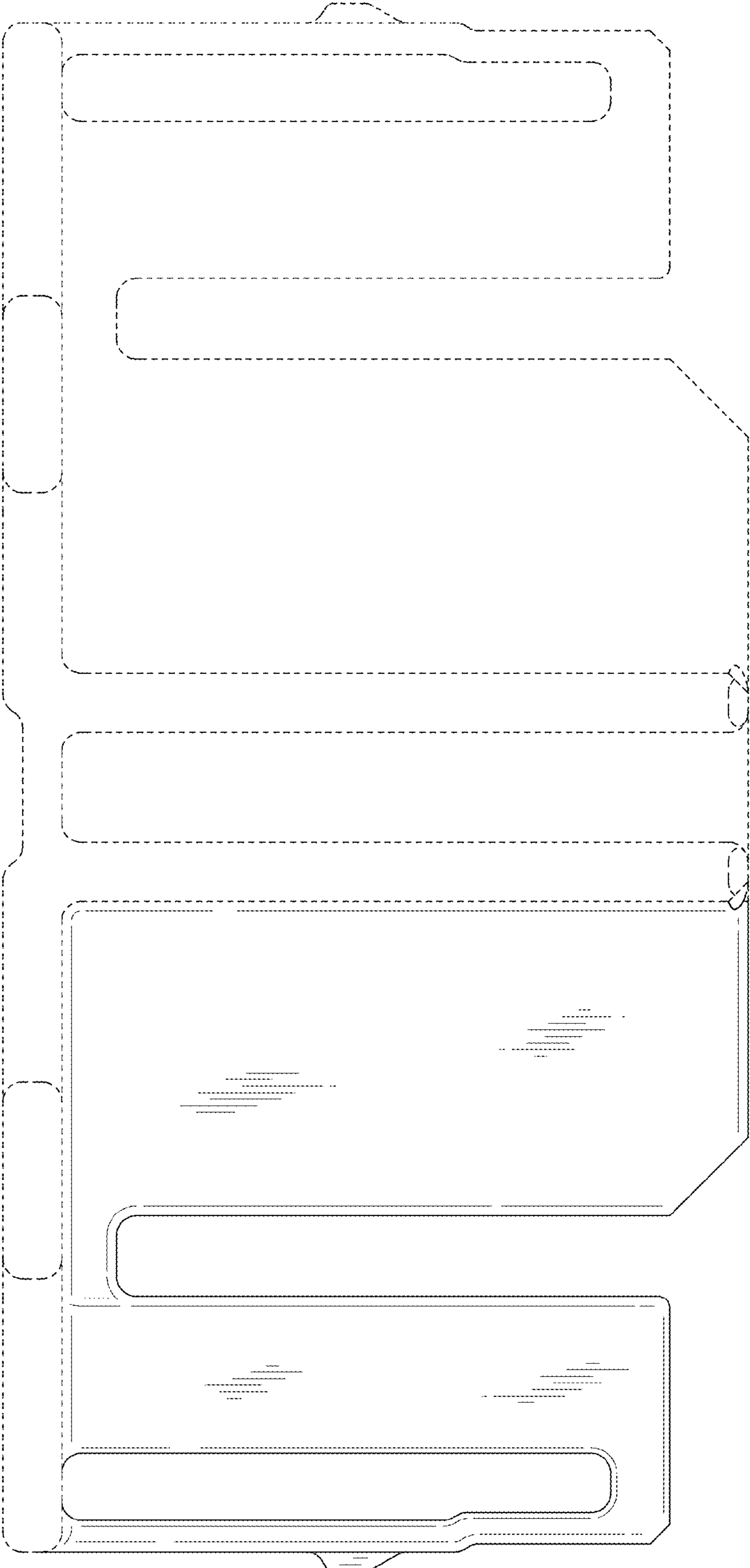
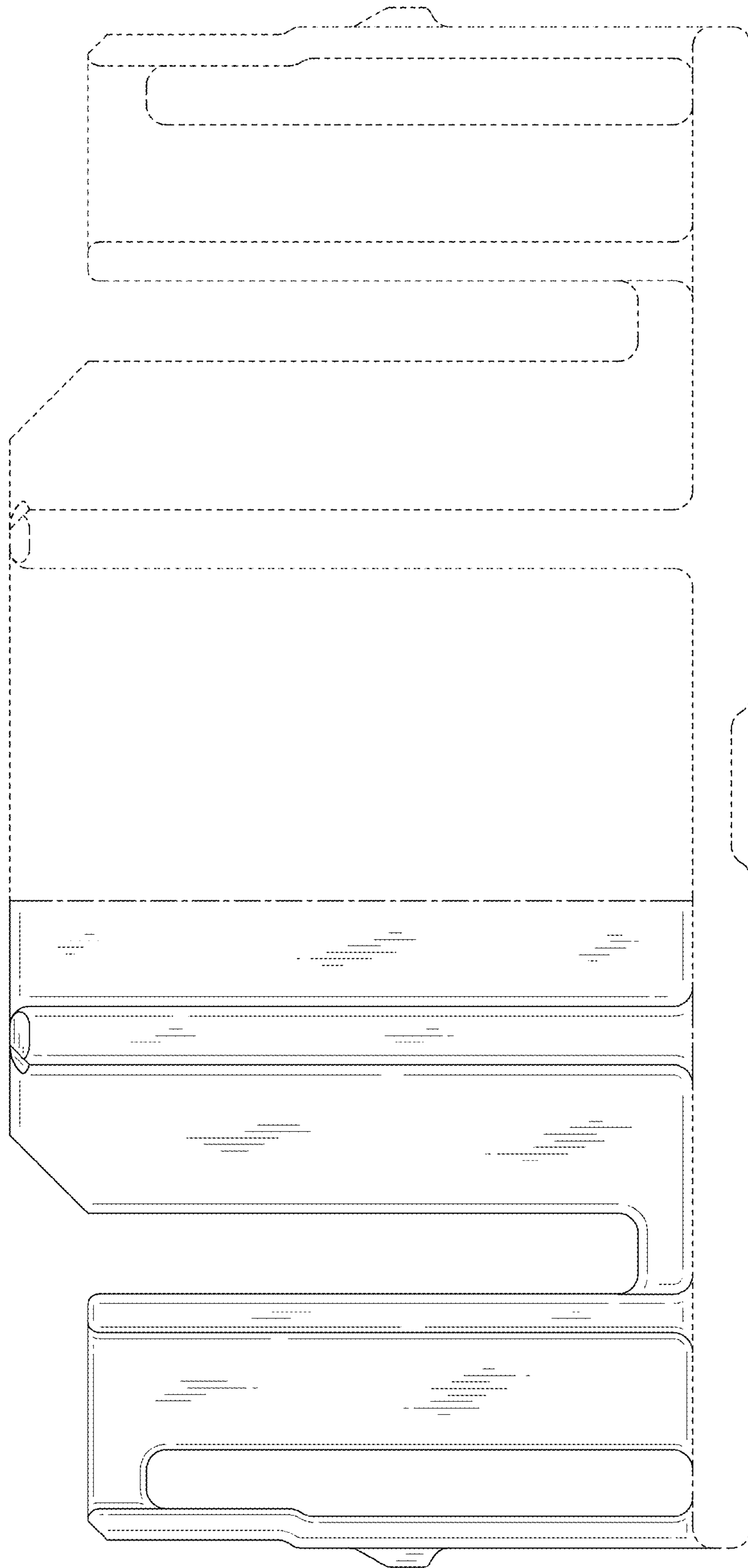


FIG.6





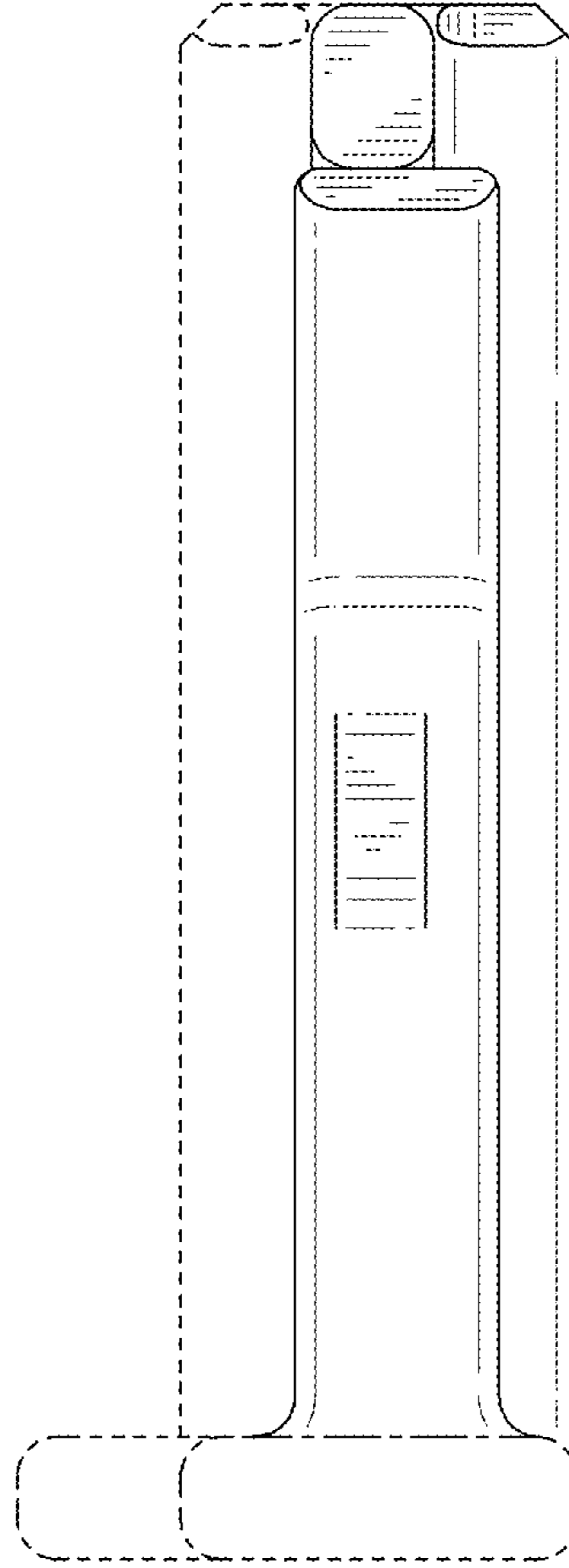


FIG.7