



US00D964293S

(12) **United States Design Patent** (10) **Patent No.:** **US D964,293 S**
Klein (45) **Date of Patent:** **** *Sep. 20, 2022**

- (54) **GRIPPED WIRE CONNECTOR WITH WINGS AND LINED BUMPS** 6,414,243 B1 * 7/2002 Korinek H01R 4/22 174/87
- 6,677,530 B2 1/2004 Blaha et al.
- (71) Applicant: **John E. Klein**, Chandler, AZ (US) D523,821 S 6/2006 Michaud et al.
- 7,365,270 B2 4/2008 Michaud et al.
- (72) Inventor: **John E. Klein**, Chandler, AZ (US) 11,276,945 B1 * 3/2022 Klein H01R 4/22
- 2002/0050387 A1 * 5/2002 Blaha H01R 13/5025 174/87

(*) Notice: This patent is subject to a terminal disclaimer.

(Continued)

(**) Term: **15 Years**

(21) Appl. No.: **29/736,442**

(22) Filed: **May 29, 2020**

(51) **LOC (13) Cl.** **13-03**

(52) **U.S. Cl.**
USPC **D13/150**

(58) **Field of Classification Search**
USPC D13/103, 118-120, 123, 133, 146, 147, D13/149, 150, 154, 184, 199; D9/452, D9/453; D19/194
CPC ... H01R 4/00; H01R 4/12; H01R 4/22; H01R 4/48; H01R 43/04; H02G 15/04; H02G 15/08

See application file for complete search history.

(56) **References Cited**

U.S. PATENT DOCUMENTS

- D196,112 S * 8/1963 Esser D13/150
- D223,611 S * 5/1972 Anderson D13/150
- D315,143 S * 3/1991 Blaha D13/150
- 5,023,401 A * 6/1991 Clifton H01R 4/22 174/87
- 5,113,037 A * 5/1992 King, Jr. H01R 4/22 174/87
- D366,866 S * 2/1996 Whitehead D13/151
- D402,629 S * 12/1998 Benedict D13/150
- D404,714 S * 1/1999 Axelsson D13/150
- 6,252,170 B1 * 6/2001 Korinek H01R 4/22 174/87

OTHER PUBLICATIONS

Happy Emily 500pcs, Tan Winged Wire Connectors, dated Jun. 10, 2019, [online], [site visited Aug. 13, 2021], Available from Internet, URL: <https://www.amazon.com/500pcs-Connectors-Connect-Electrical-connectors/dp/B07SYNVFKG/> (Year: 2019).*

(Continued)

Primary Examiner — Shawn T Gingrich
(74) *Attorney, Agent, or Firm* — Booth Udall Fuller, PLC; Kenneth C. Booth

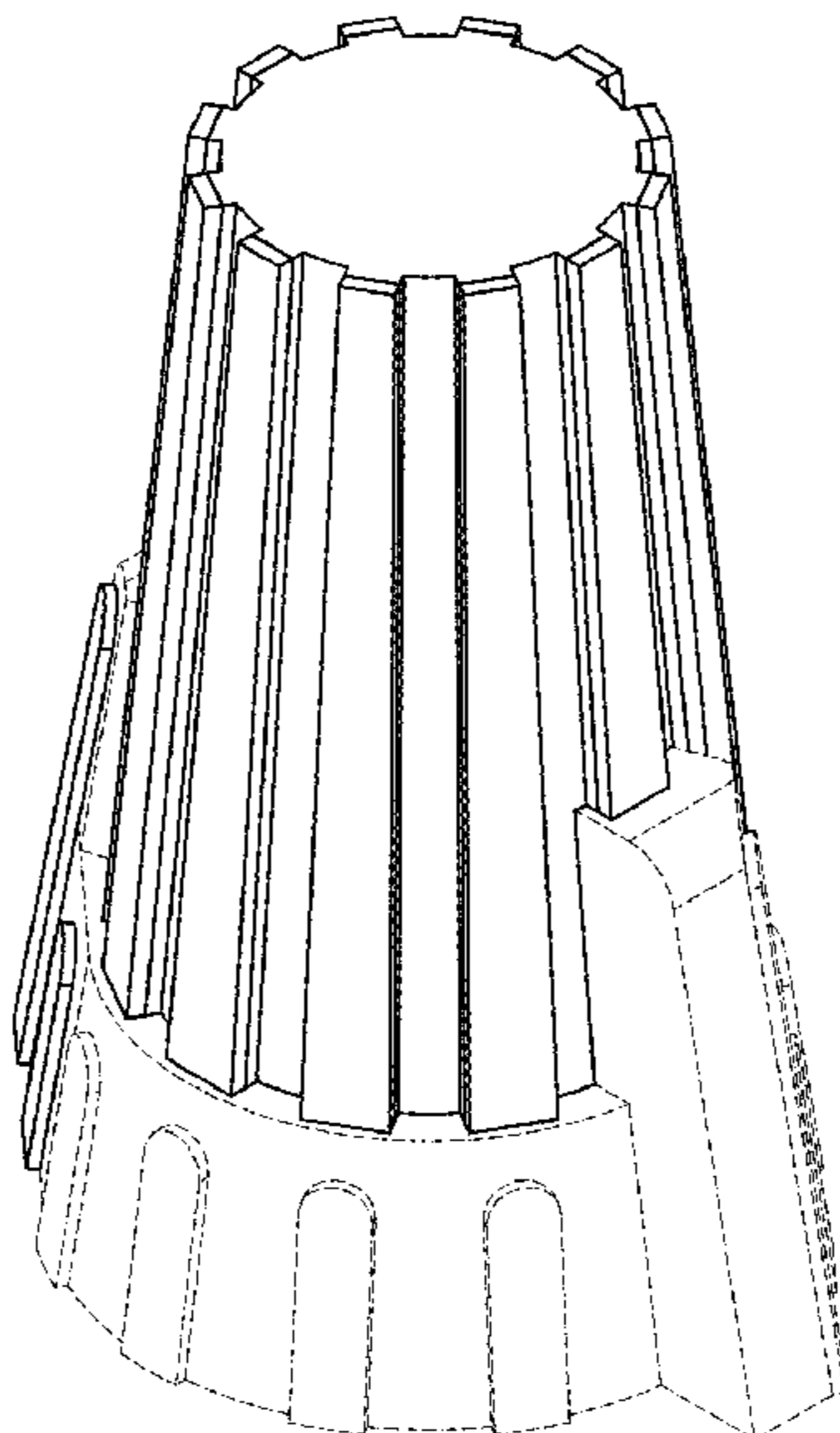
(57) **CLAIM**

I claim the ornamental design for a gripped wire connector with wings and lined bumps, as shown and described.

DESCRIPTION

FIG. 1 is a front view for a gripped wire connector with wings and lined bumps;
FIG. 2 is a right side view thereof;
FIG. 3 is a left side view thereof;
FIG. 4 is a top view thereof;
FIG. 5 is a bottom view thereof;
FIG. 6 is a back view thereof;
FIG. 7 is a front perspective view thereof;
FIG. 8 is a rear perspective view thereof; and,
FIG. 9 is a cross-sectional view thereof taken along section lines FIG. 9-FIG. 9 of FIG. 1.
The broken lines in the figures represent portions of the article which form no part of the claimed design.

1 Claim, 9 Drawing Sheets



(56)

References Cited

U.S. PATENT DOCUMENTS

2006/0070765 A1* 4/2006 Michaud H01R 4/12
174/87
2018/0248277 A1* 8/2018 Legault H01R 4/12

OTHER PUBLICATIONS

Easy-Twist Winged Wire Connector, dated Jul. 5, 2012, [online],
[site visited Aug. 13, 2021], Available from Internet, URL: <https://www.amazon.com/Easy-Twist-Winged-Connector-Standard-Range/dp/B008HOW7C0/> (Year: 2012).*

Twister® ProFLEX™ Wire Connector, Model 347 Red/Yellow:
<https://idealind.com/shop/twister-proflex-347-box-of-50.html>.

* cited by examiner

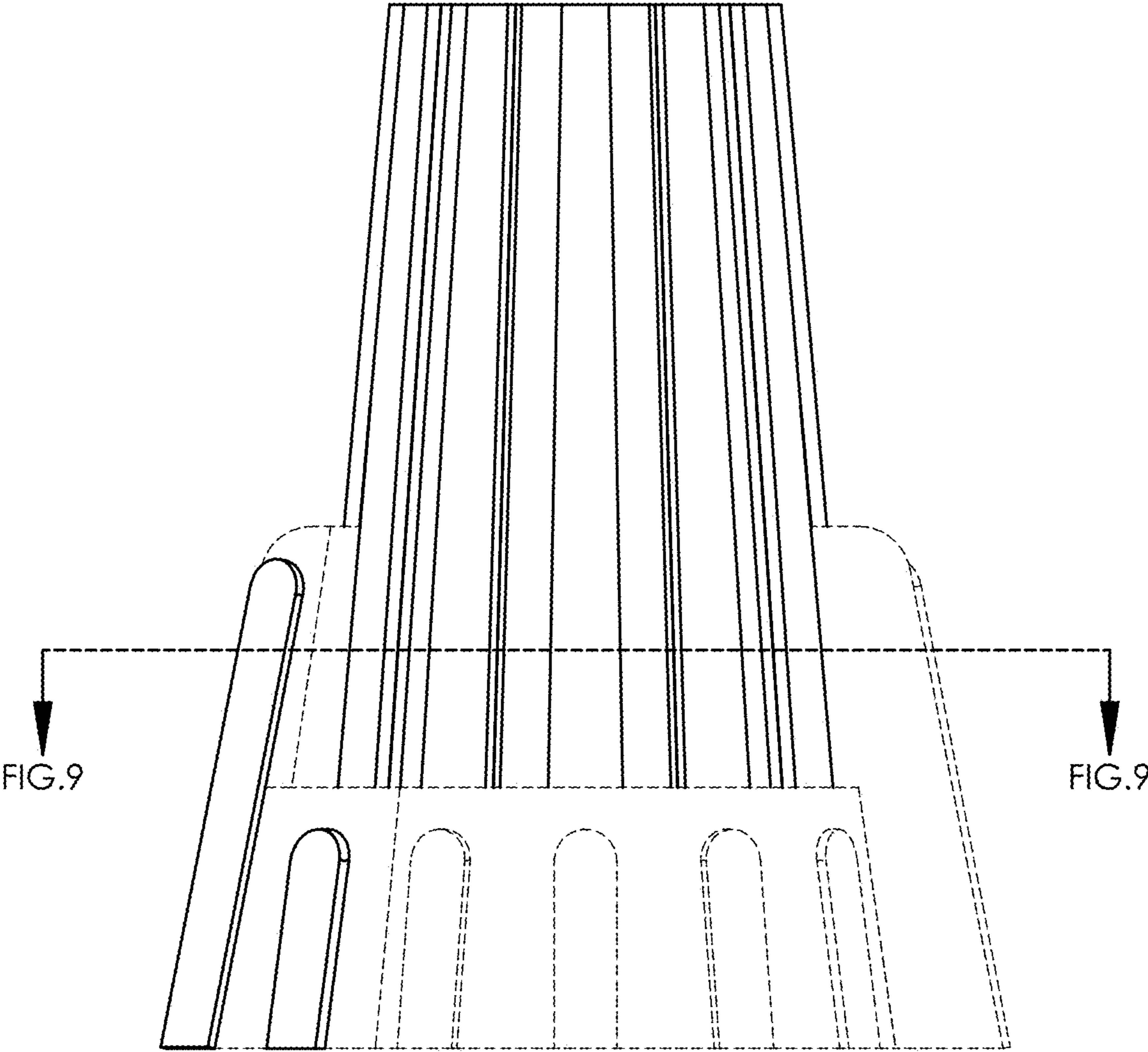


FIG. 1

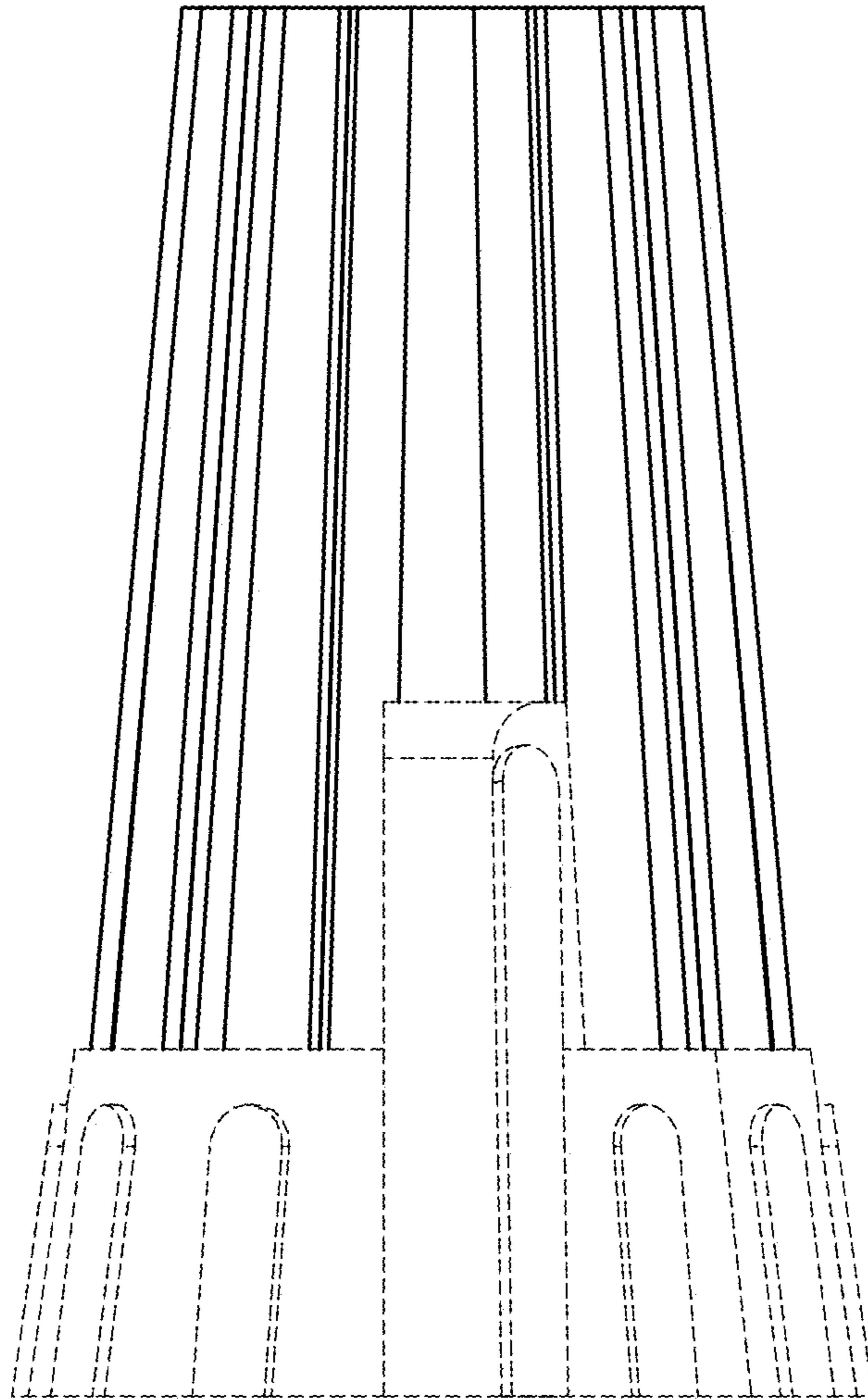


FIG. 2

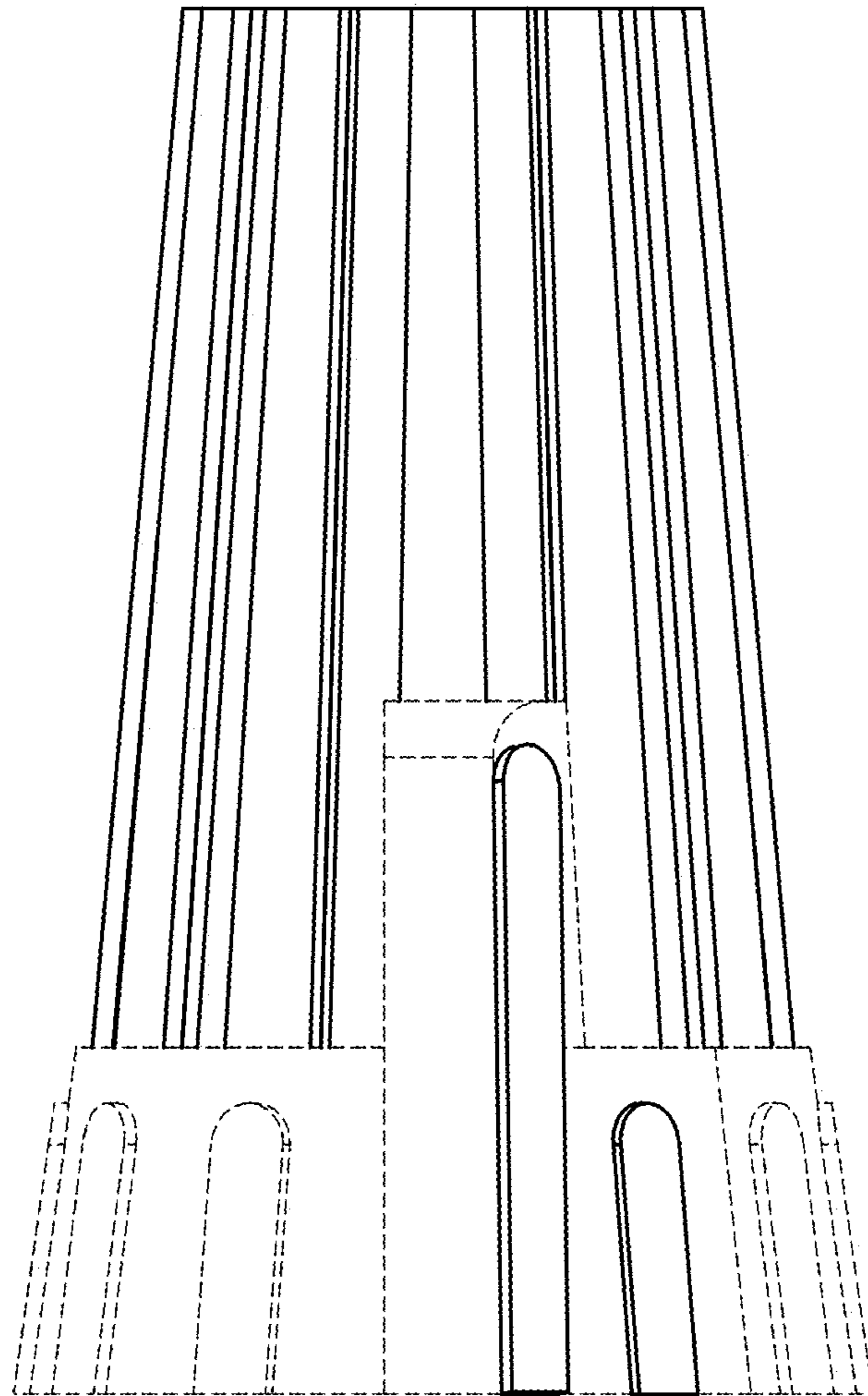


FIG. 3

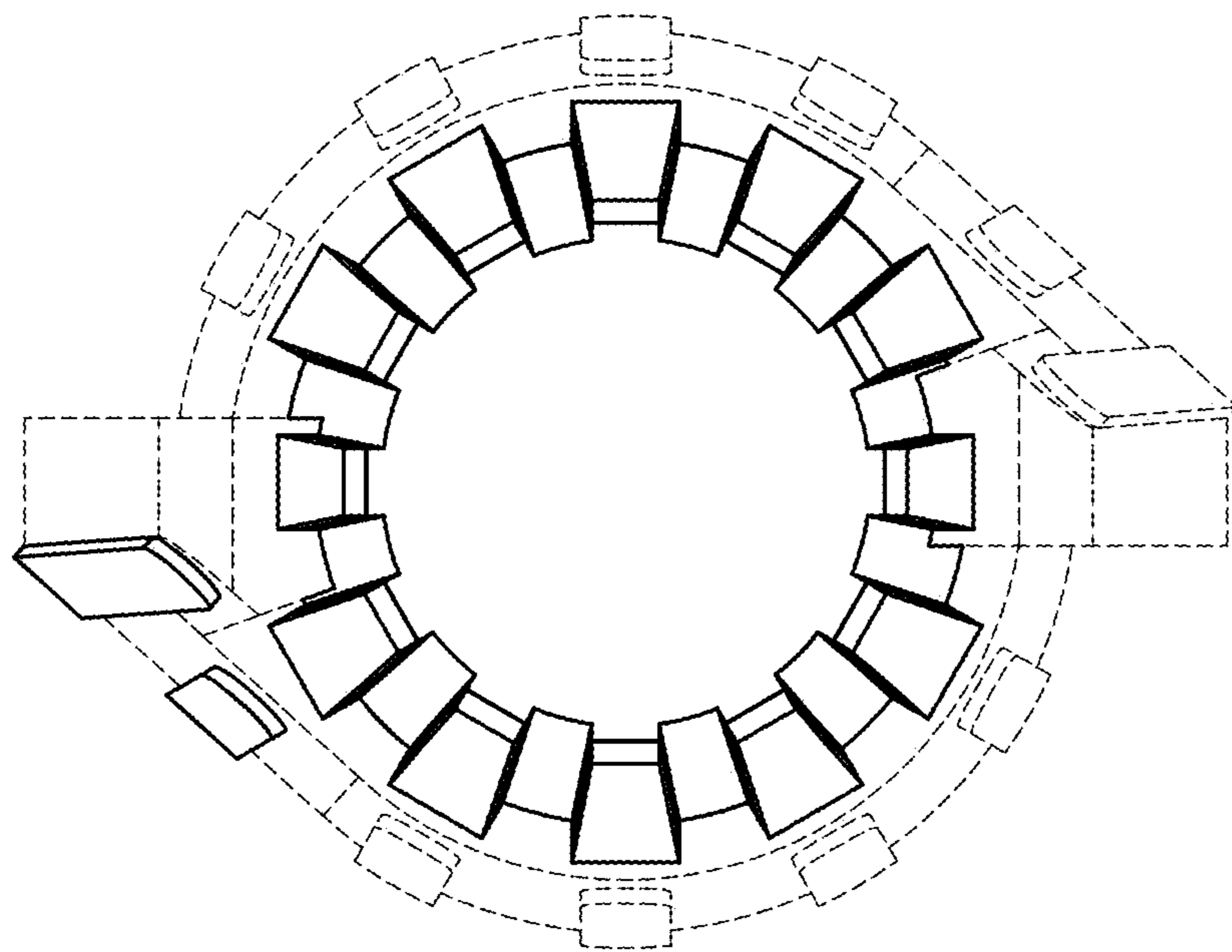


FIG. 4

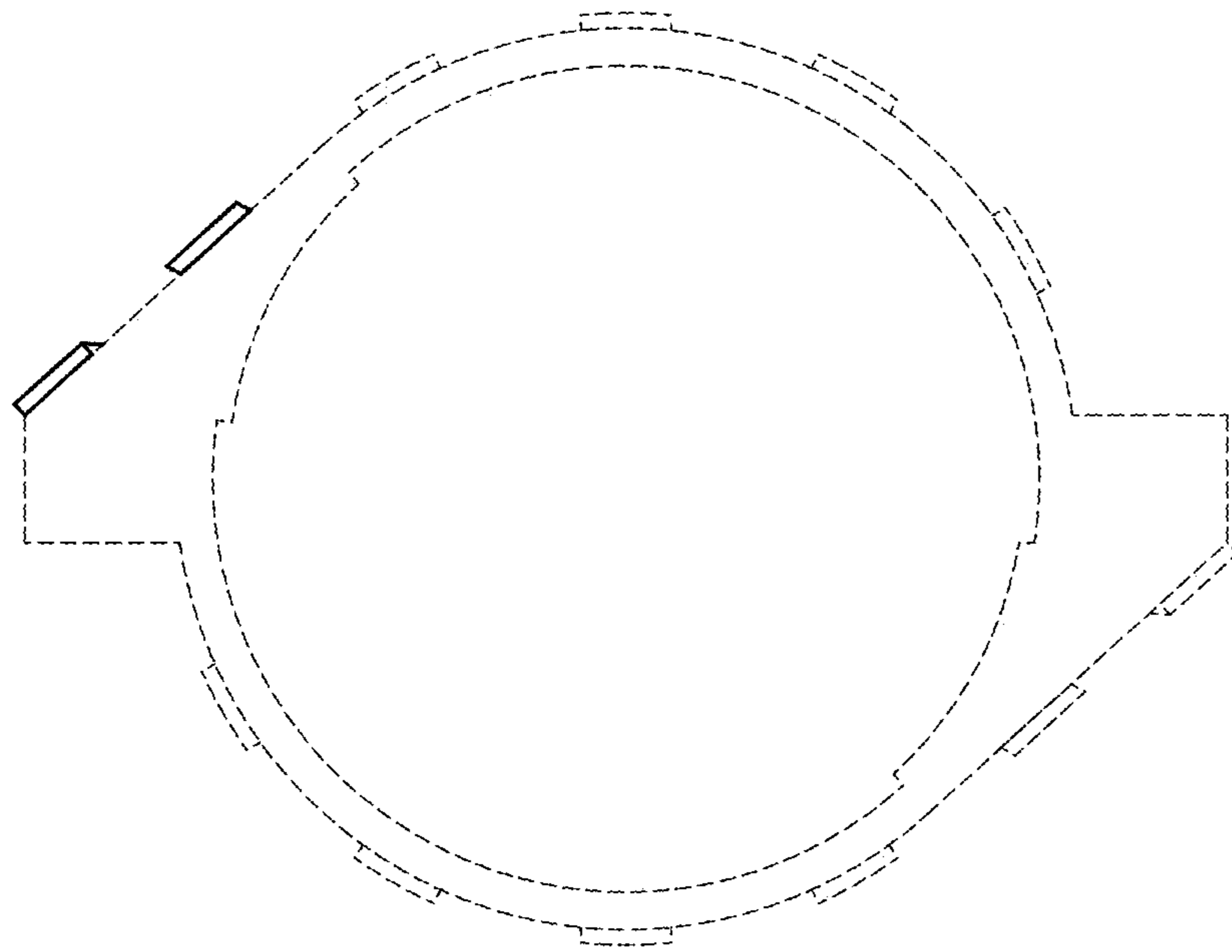


FIG. 5

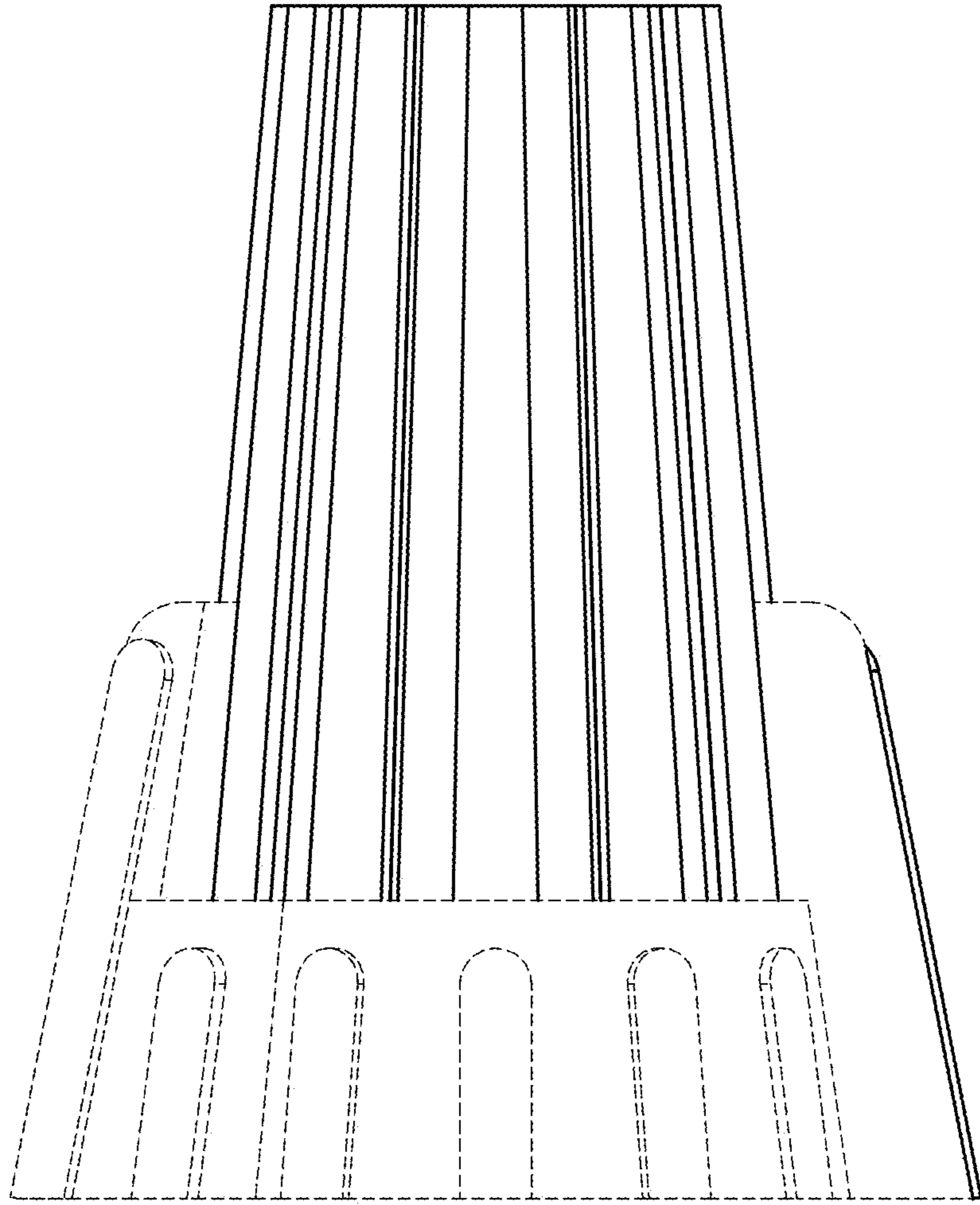


FIG. 6

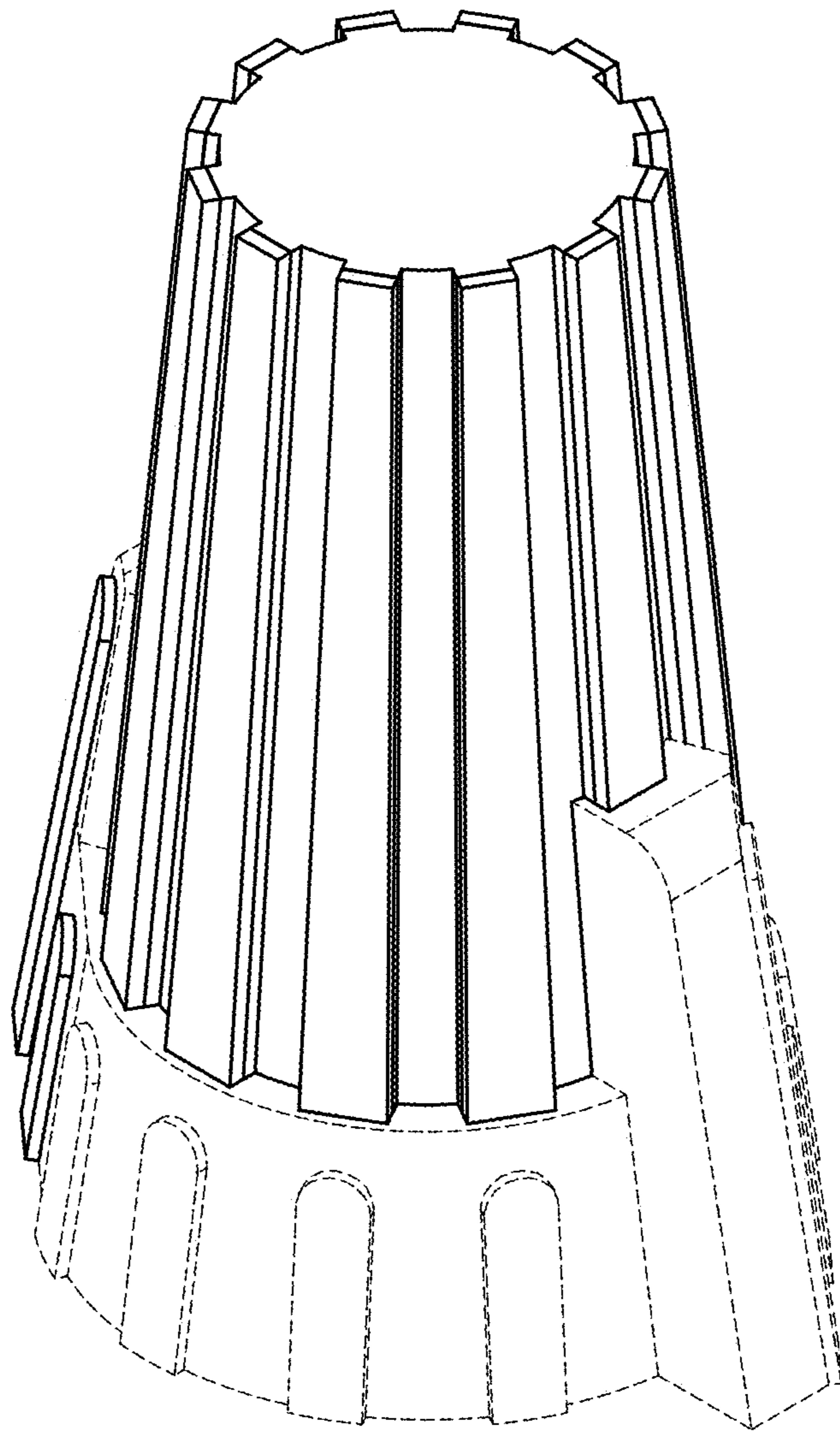


FIG. 7

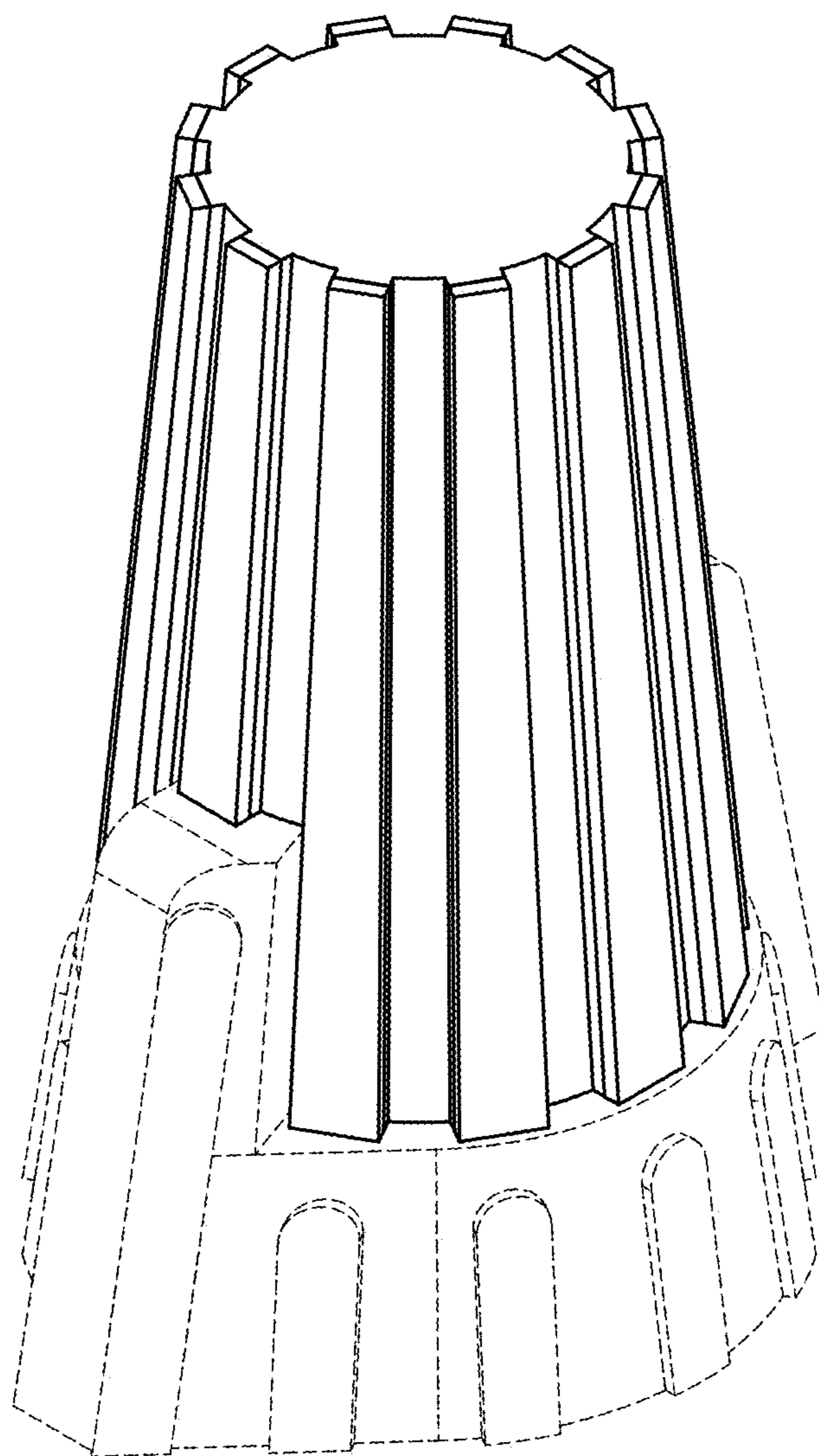


FIG. 8

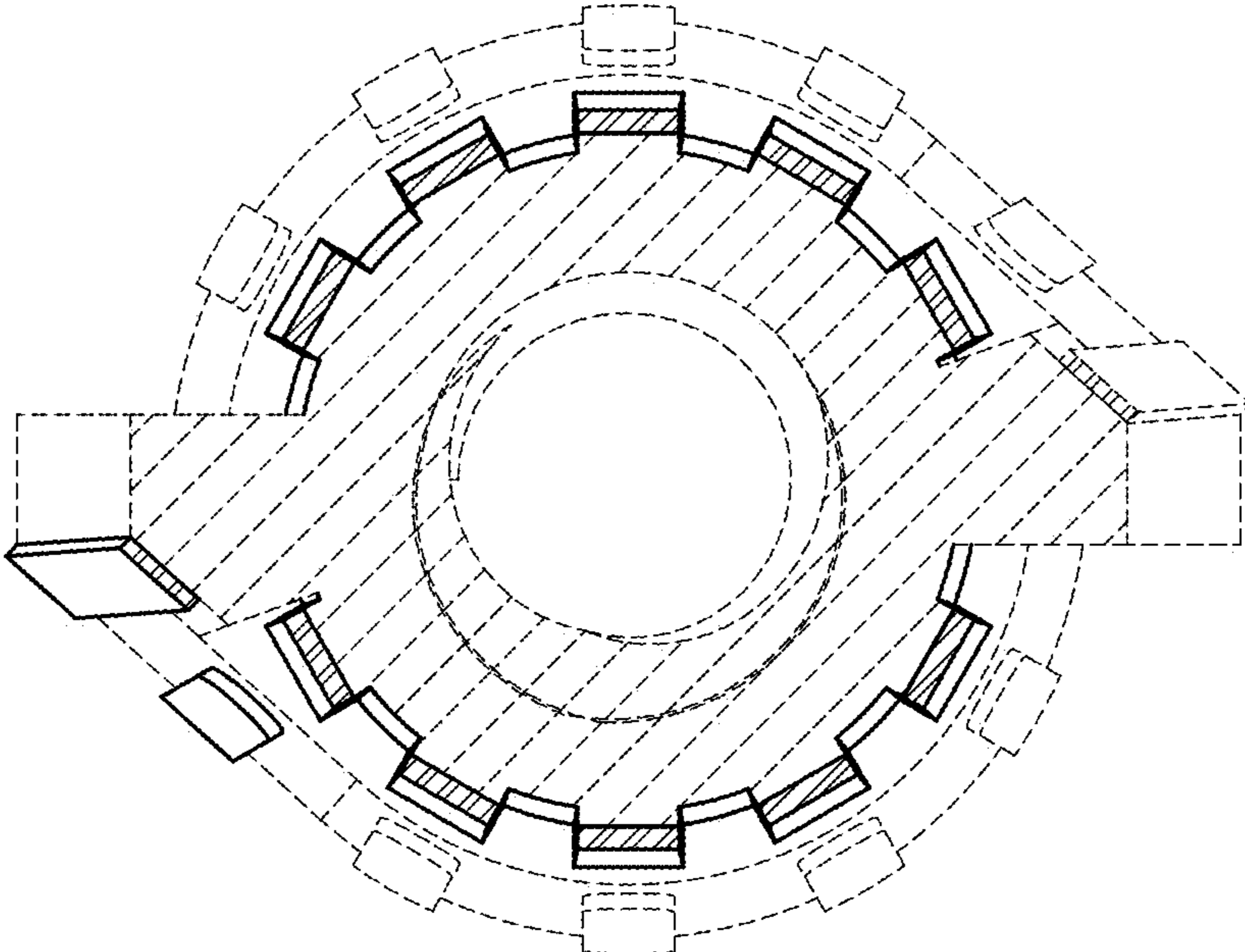


FIG. 9