



US00D964289S

(12) **United States Design Patent**
Yu

(10) **Patent No.:** **US D964,289 S**
(45) **Date of Patent:** **** Sep. 20, 2022**

(54) **PLUG RETENTION APPARATUS**

DESCRIPTION

- (71) Applicant: **NINGBO WELL ELECTRIC APPLIANCE CO., LTD.**, Ningbo (CN)
- (72) Inventor: **Guolin Yu**, Ningbo (CN)
- (73) Assignee: **NINGBO WELL ELECTRIC APPLIANCE CO., LTD.**, Ningbo (CN)
- (**) Term: **15 Years**
- (21) Appl. No.: **29/728,647**
- (22) Filed: **Mar. 20, 2020**
- (51) **LOC (13) Cl.** **13-03**
- (52) **U.S. Cl.**
USPC **D13/138.2; D13/139.7**
- (58) **Field of Classification Search**
USPC D13/107, 108, 110, 137.1, 137.2, 137.3, D13/137.4, 138.1, 138.2, 139.1, 139.2,
(Continued)

FIG. 1 is a right, front, top perspective view of a plug retention apparatus in a first embodiment showing my new design;
 FIG. 2 is a left, rear, bottom perspective view of the plug retention apparatus of FIG. 1;
 FIG. 3 is a front elevational view of the plug retention apparatus of FIG. 1;
 FIG. 4 is a rear elevational view of the plug retention apparatus of FIG. 1;
 FIG. 5 is a right side elevational view of the plug retention apparatus of FIG. 1;
 FIG. 6 is a left side elevational view of the plug retention apparatus of FIG. 1;
 FIG. 7 is a top plan view of the plug retention apparatus of FIG. 1;
 FIG. 8 is a bottom plan view of the plug retention apparatus of FIG. 1;
 FIG. 9 is a right, front, top perspective view of the plug retention apparatus of FIG. 1 shown in an alternate position;
 FIG. 10 is a right, front, top perspective view of a plug retention apparatus in a second embodiment showing my new design;
 FIG. 11 is a left, rear, bottom perspective view of the plug retention apparatus of FIG. 10;
 FIG. 12 is a front elevational view of the plug retention apparatus of FIG. 10;
 FIG. 13 is a rear elevational view of the plug retention apparatus of FIG. 10;
 FIG. 14 is a right side elevational view of the plug retention apparatus of FIG. 10;
 FIG. 15 is a left side elevational view of the plug retention apparatus of FIG. 10;
 FIG. 16 is a top plan view of the plug retention apparatus of FIG. 10;
 FIG. 17 is a bottom plan view of the plug retention apparatus of FIG. 10; and,
 FIG. 18 is a right, front, top perspective view of the plug retention apparatus of FIG. 10 shown in an alternate position.
 In the drawings, the broken lines illustrate portions of the plug retention apparatus that form no part of the claimed design.

(56) **References Cited**

U.S. PATENT DOCUMENTS

- D217,614 S * 5/1970 Kress D13/138.2
 - D295,622 S * 5/1988 Good D13/137.3
- (Continued)

OTHER PUBLICATIONS

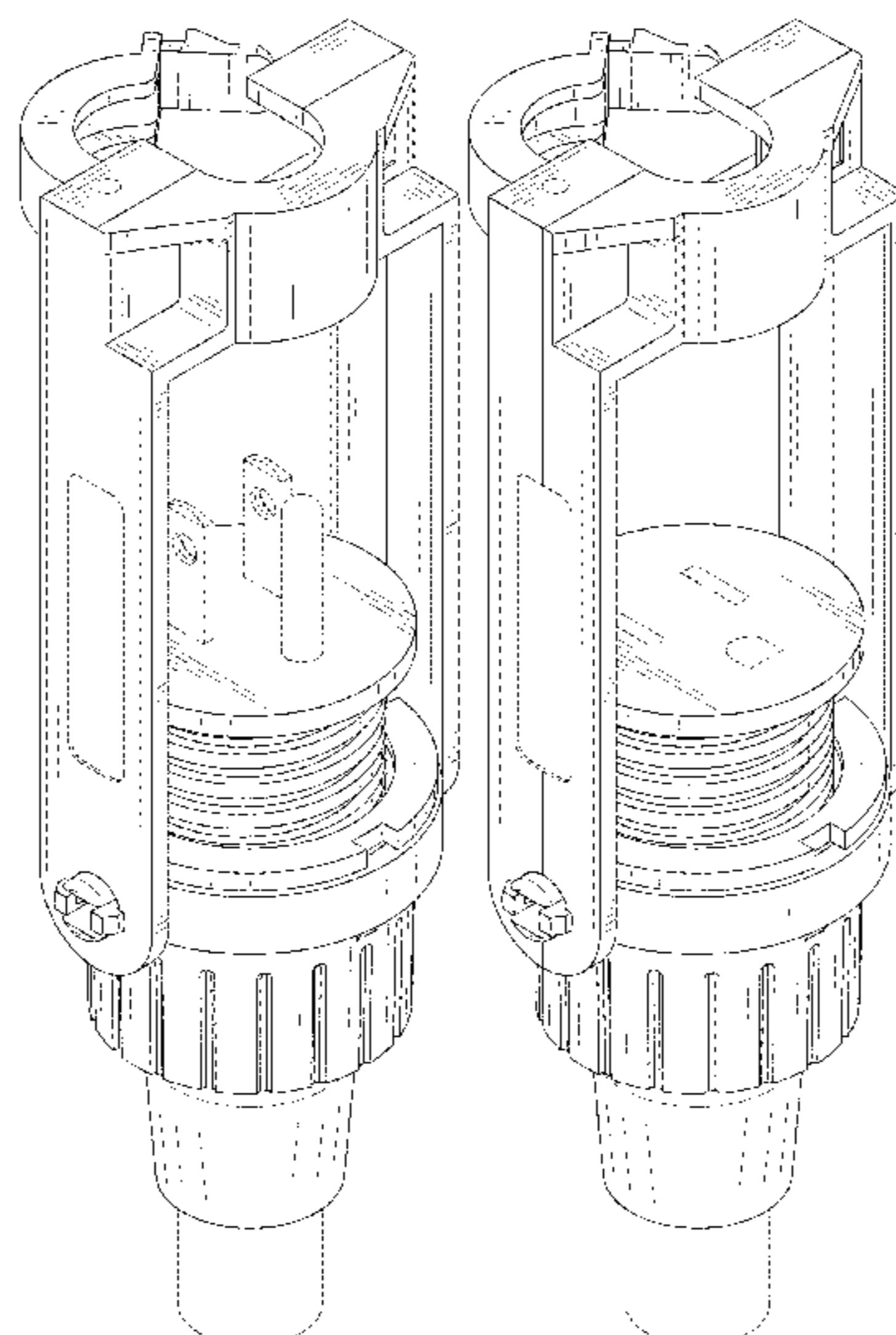
First Examination Opinion of 16922776.

Primary Examiner — Rosemary K Tarcza
Assistant Examiner — Seth David Kumpf

(57) **CLAIM**

The ornamental design for a plug retention apparatus, as shown and described.

1 Claim, 18 Drawing Sheets



(58) **Field of Classification Search**

USPC D13/139.3, 139.4, 139.5, 139.6, 139.7,
D13/139.8, 146, 151, 152, 153, 154, 158,
D13/159, 160, 161, 162, 162.1, 163, 164,
D13/165, 166, 167, 168, 169, 171, 172,
D13/173, 174, 175, 176, 177, 178, 179,
D13/184, 199
CPC H01R 13/00; H01R 13/03; H01R 13/04;
H01R 13/10; H01R 13/35; H01R 13/44;
H01R 13/46; H01R 13/453; H01R
13/4534; H01R 13/502; H01R 13/506;
H01R 13/514; H01R 13/518; H01R
13/6272; H01R 13/631; H01R 13/639;
H01R 13/652; H01R 13/665; H01R
13/6633; H01R 13/6666; H01R 13/6675;
H01R 13/7135; H01R 31/02; H01R
31/06; H01R 31/065; H01R 25/00; H01R
25/006; H01R 9/00; H01R 11/00; H01R
35/04; H01R 2201/06; H01H 2207/00;

H01H 2207/022; H01H 2203/00; H05K
5/00; H05K 5/03; H02G 3/088

See application file for complete search history.

(56)

References Cited

U.S. PATENT DOCUMENTS

6,478,601 B2 11/2002 Oswald
D510,067 S * 9/2005 Miller D13/137.4
6,957,977 B1 * 10/2005 Miller H01R 13/6392
439/369
7,182,624 B1 * 2/2007 Miller H01R 25/003
439/369
7,186,130 B1 3/2007 Miller
7,988,484 B1 8/2011 Jacoby
8,328,574 B1 12/2012 Lin
D816,888 S * 5/2018 Benner D26/113
D817,886 S * 5/2018 Yu D13/138.2
D840,584 S * 2/2019 Benner D26/113
11,316,301 B2 * 4/2022 Yu H01R 13/639

* cited by examiner

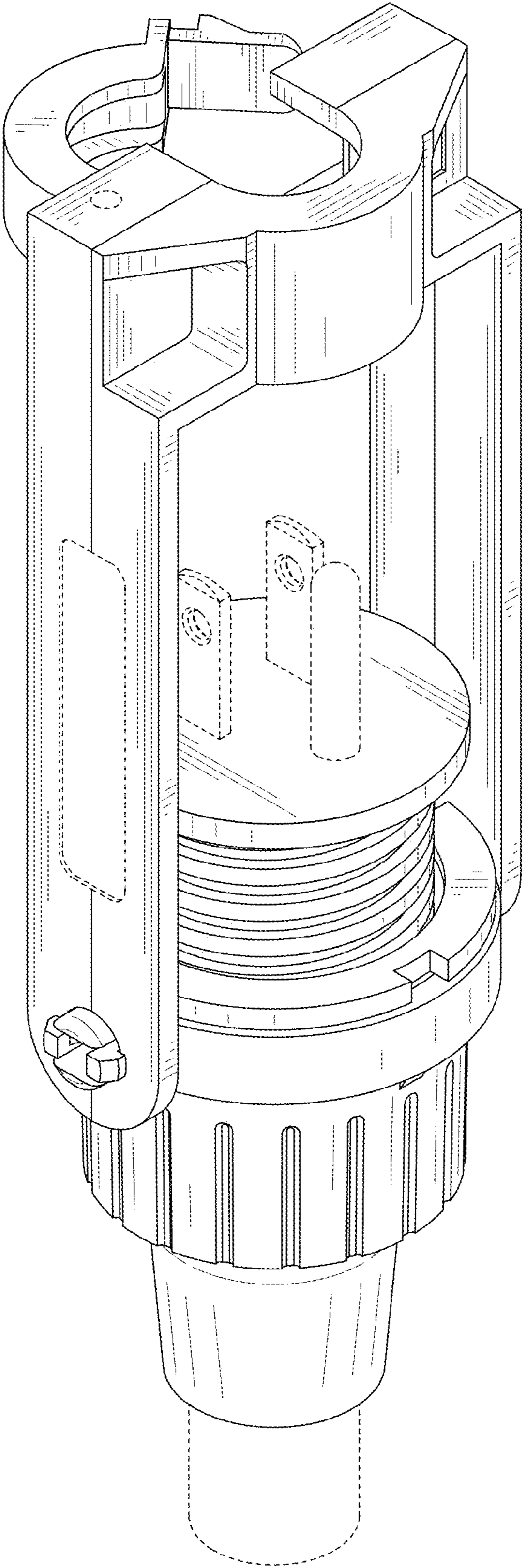


FIG. 1

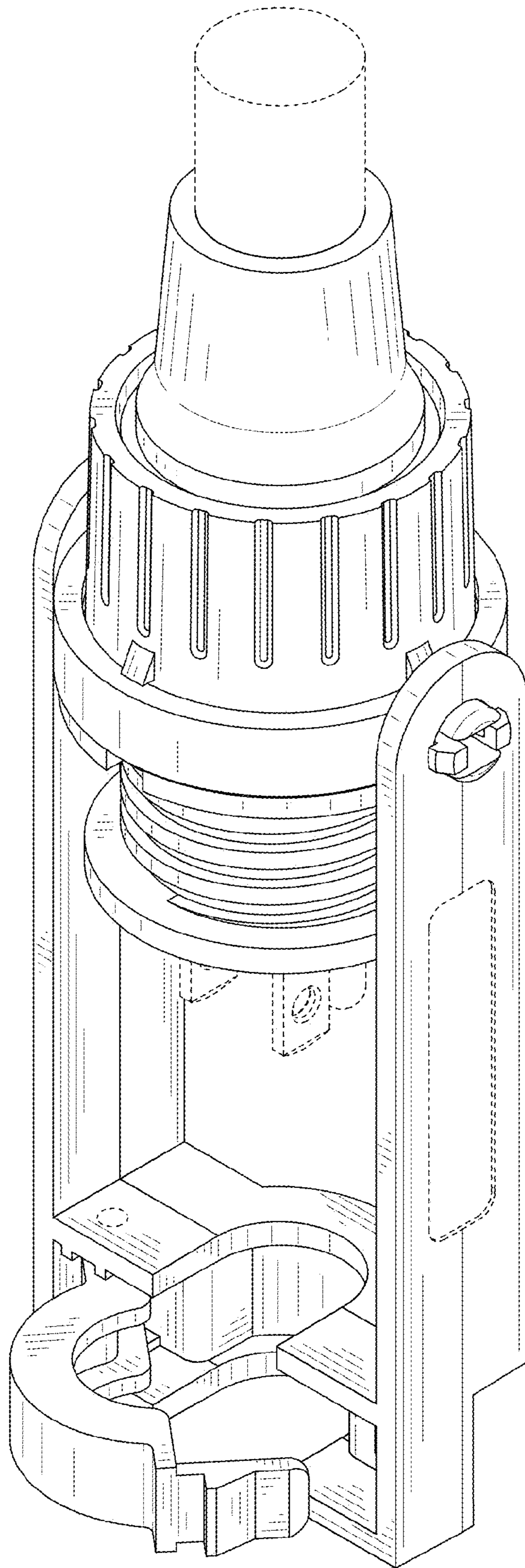


FIG. 2

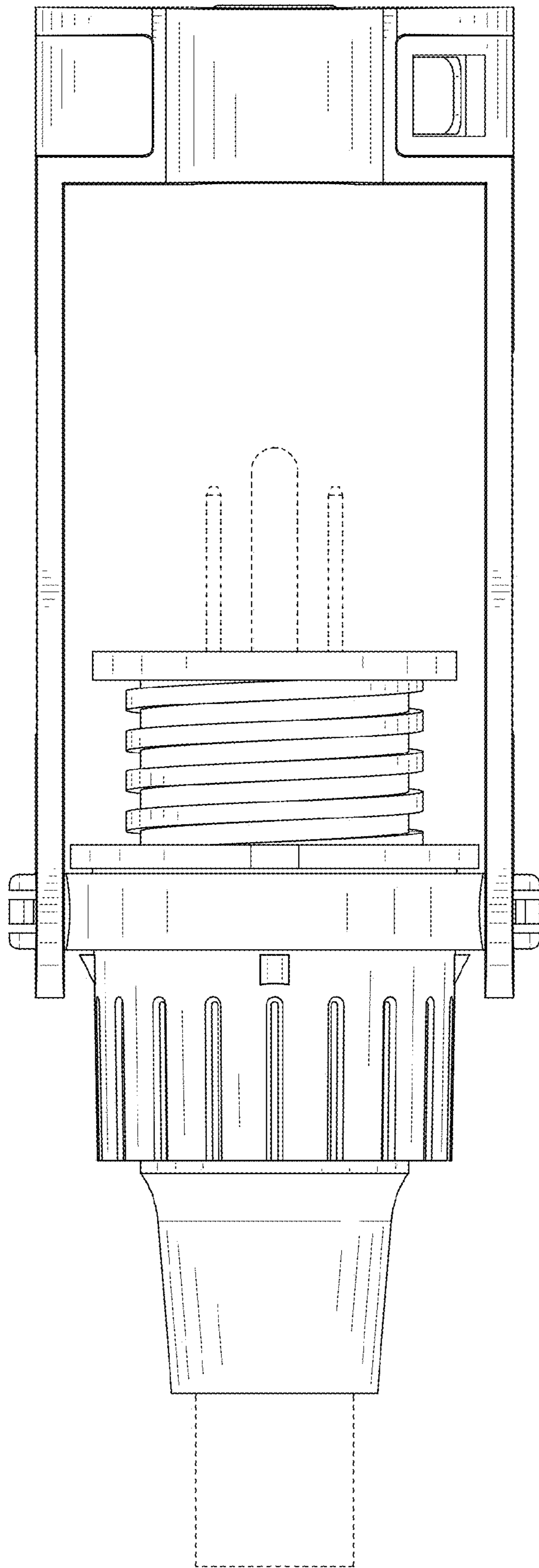


FIG. 3

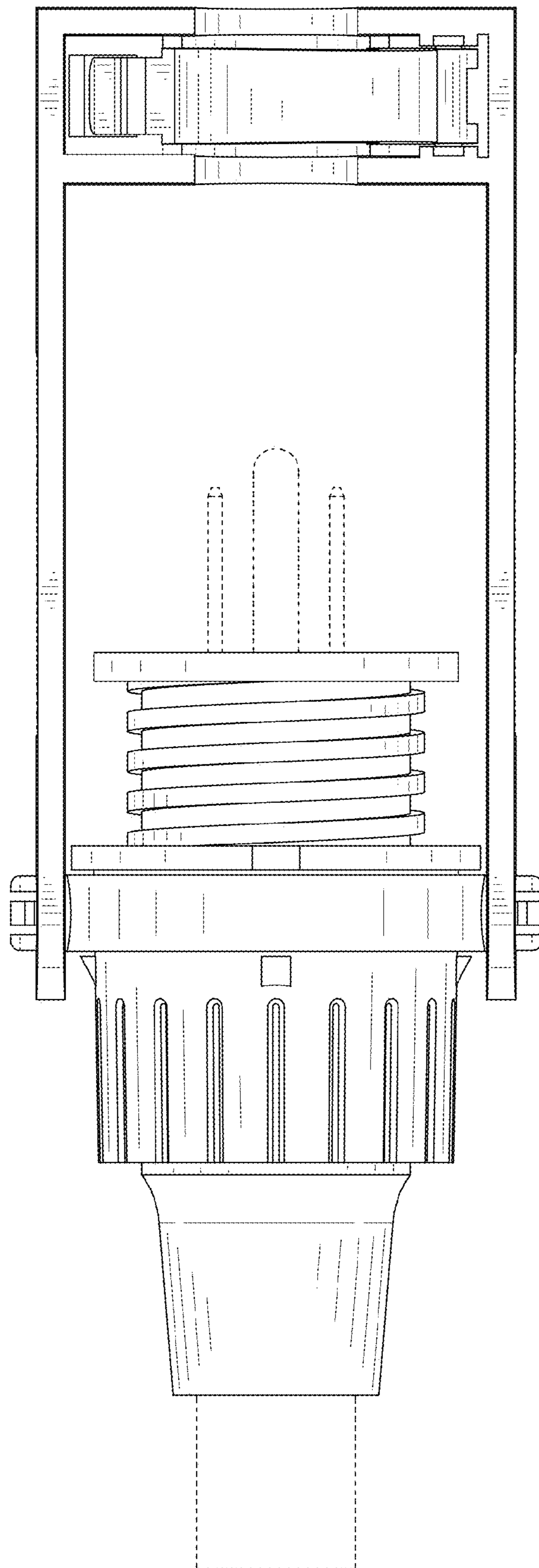


FIG. 4

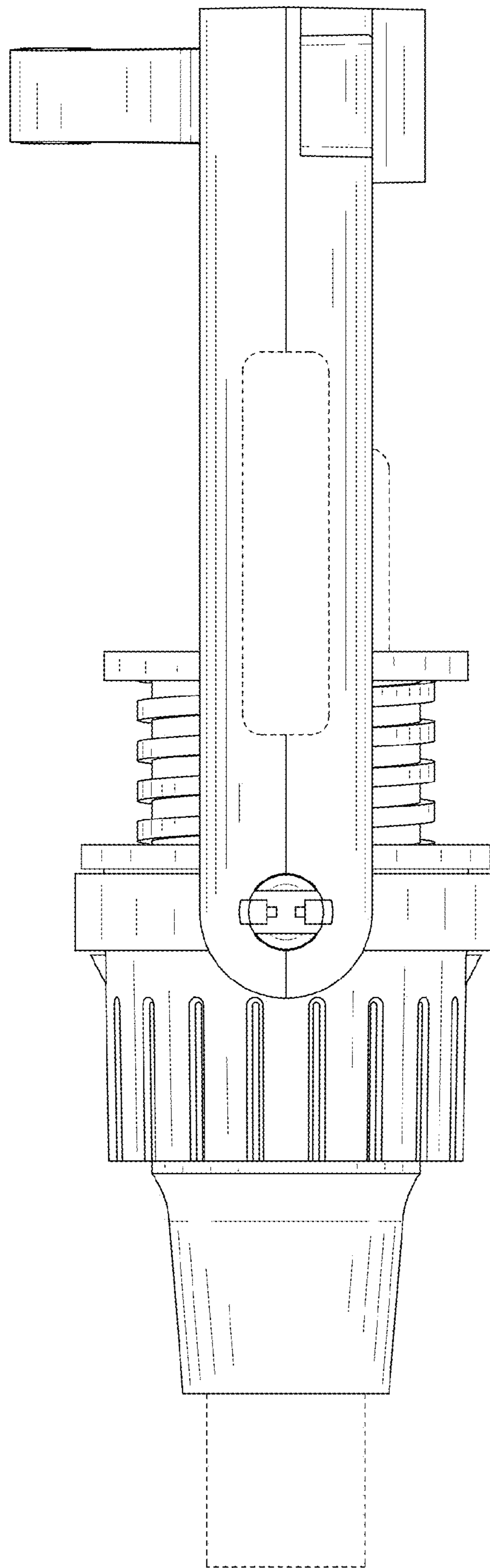


FIG. 5

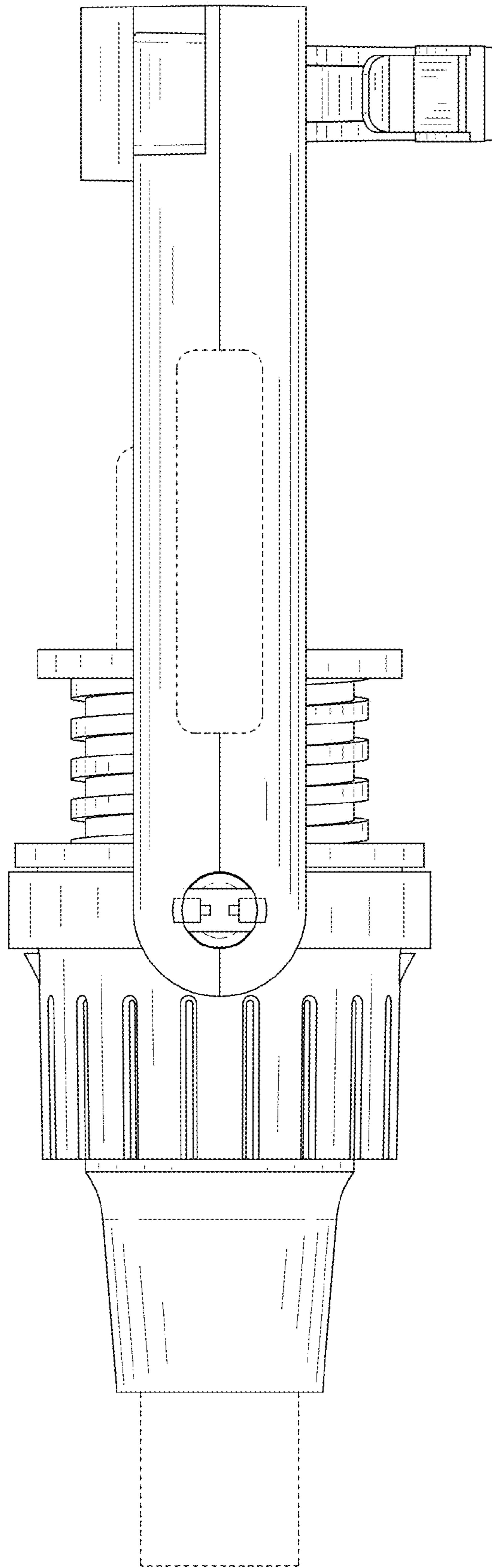


FIG. 6

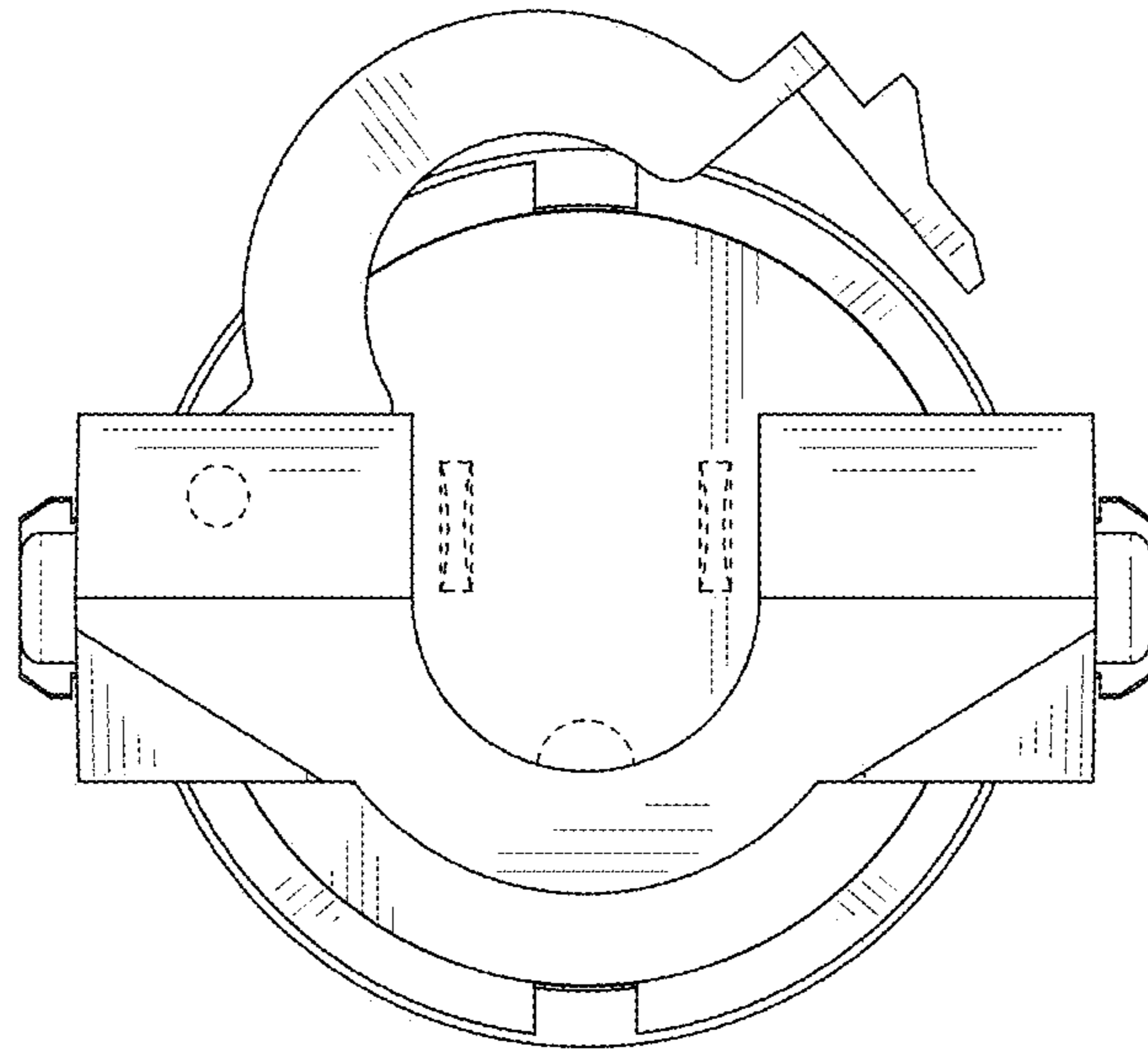


FIG. 7

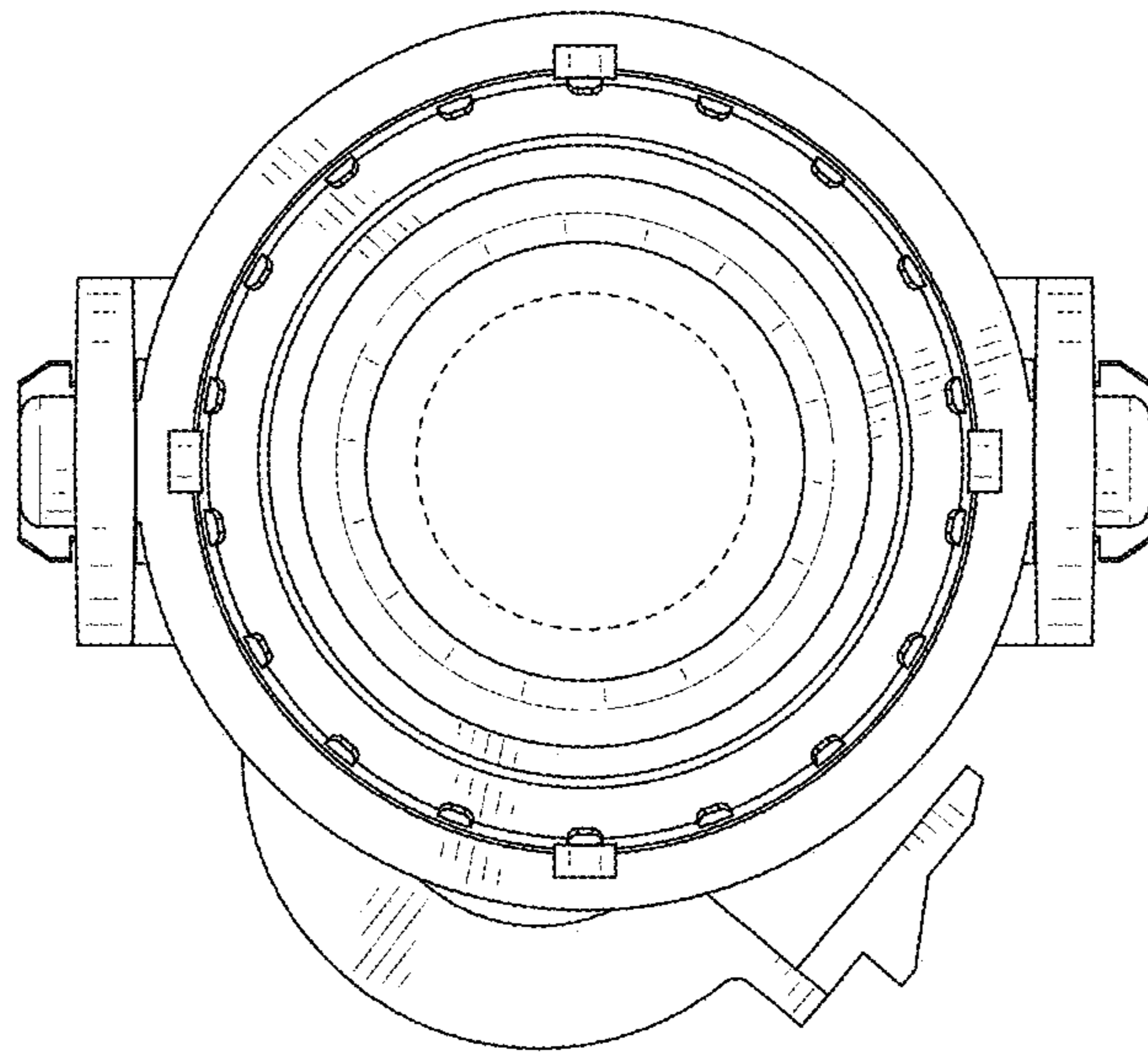


FIG. 8

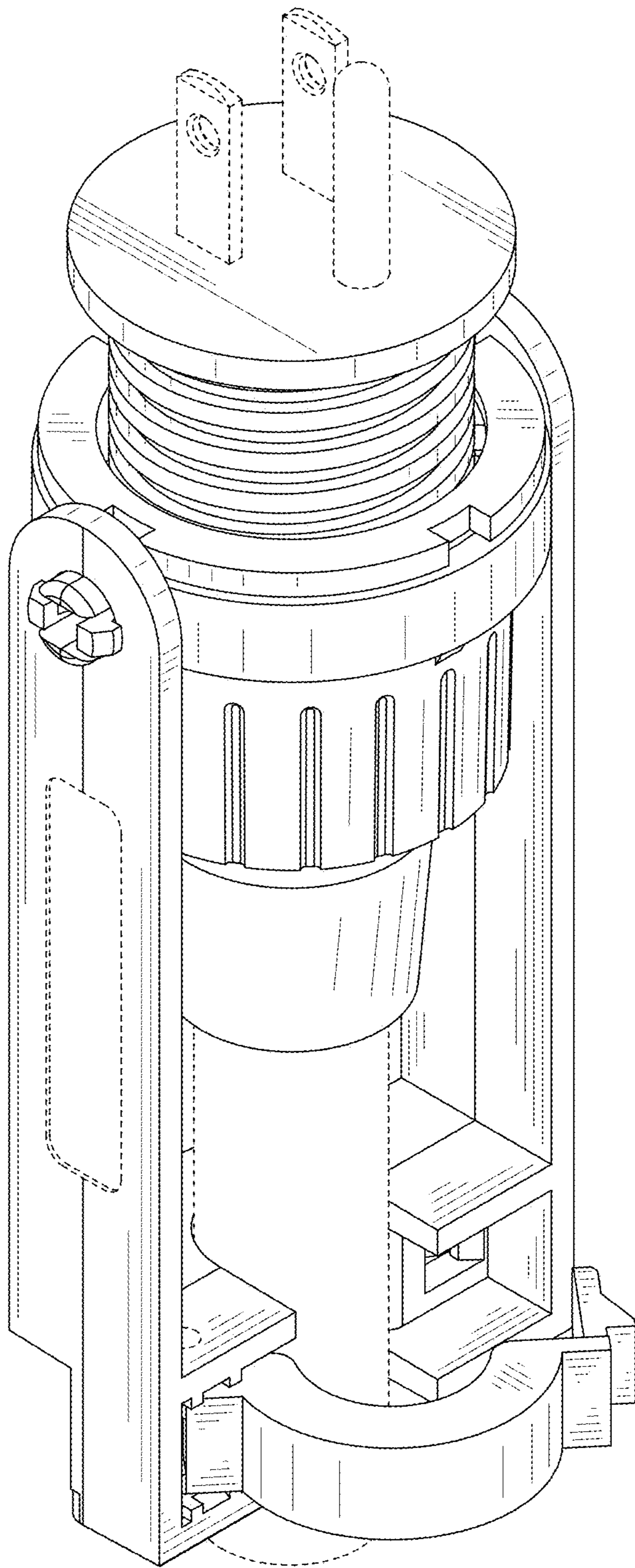


FIG. 9

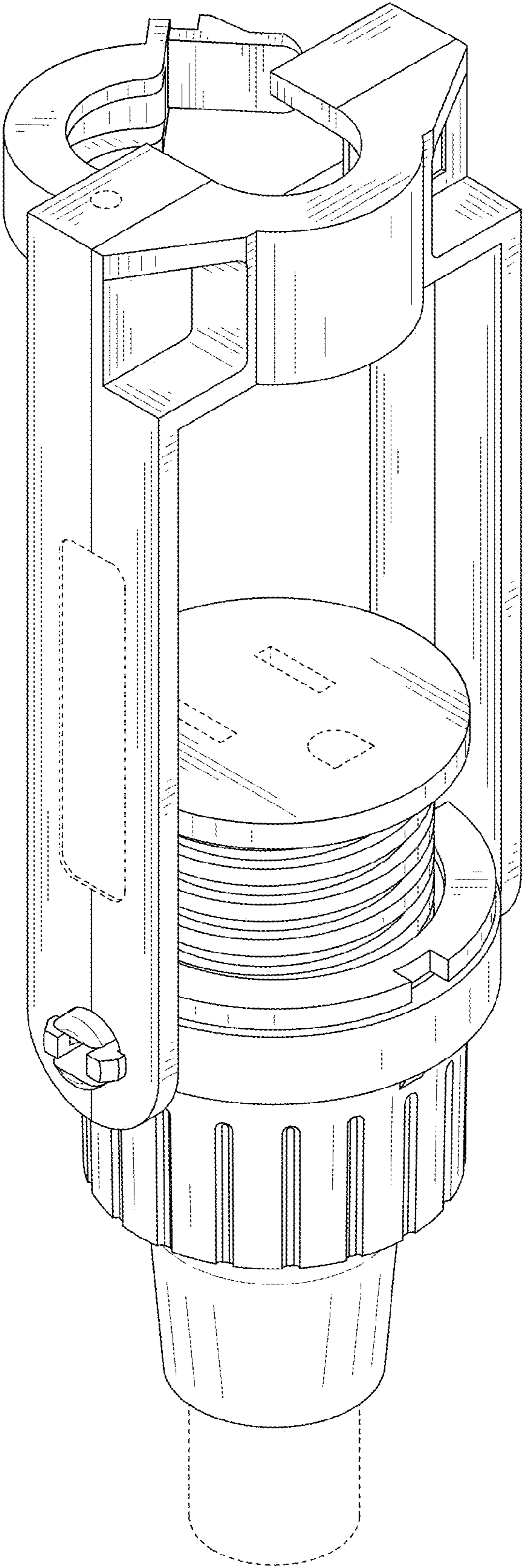


FIG. 10

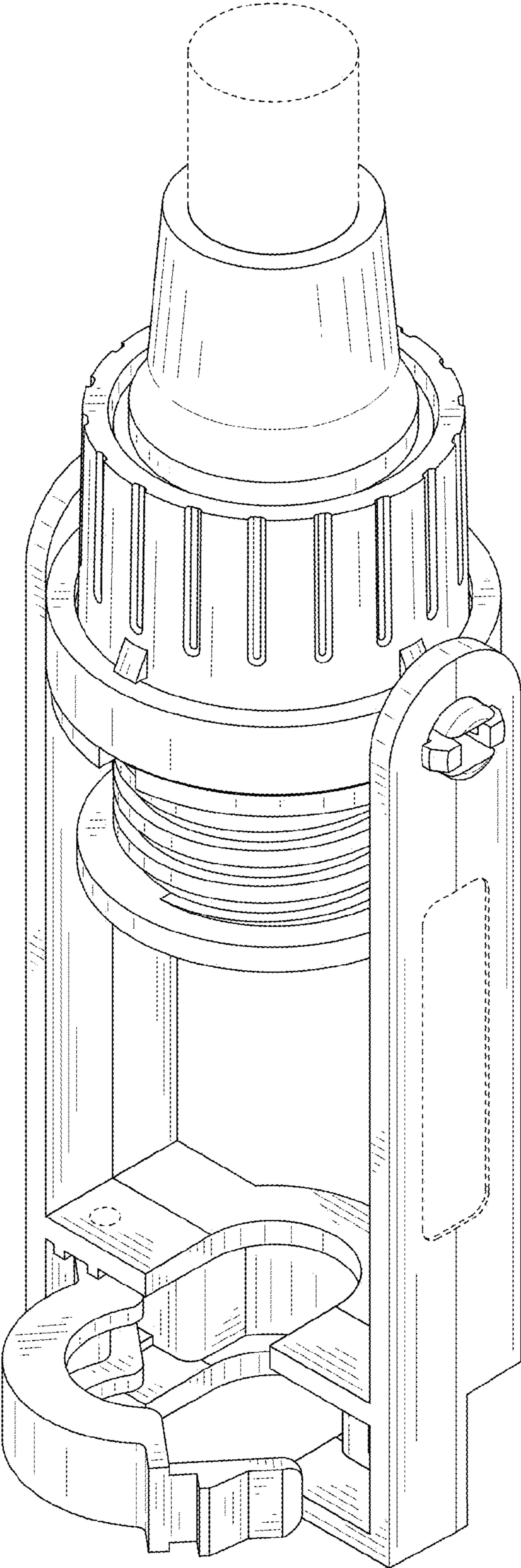


FIG. 11

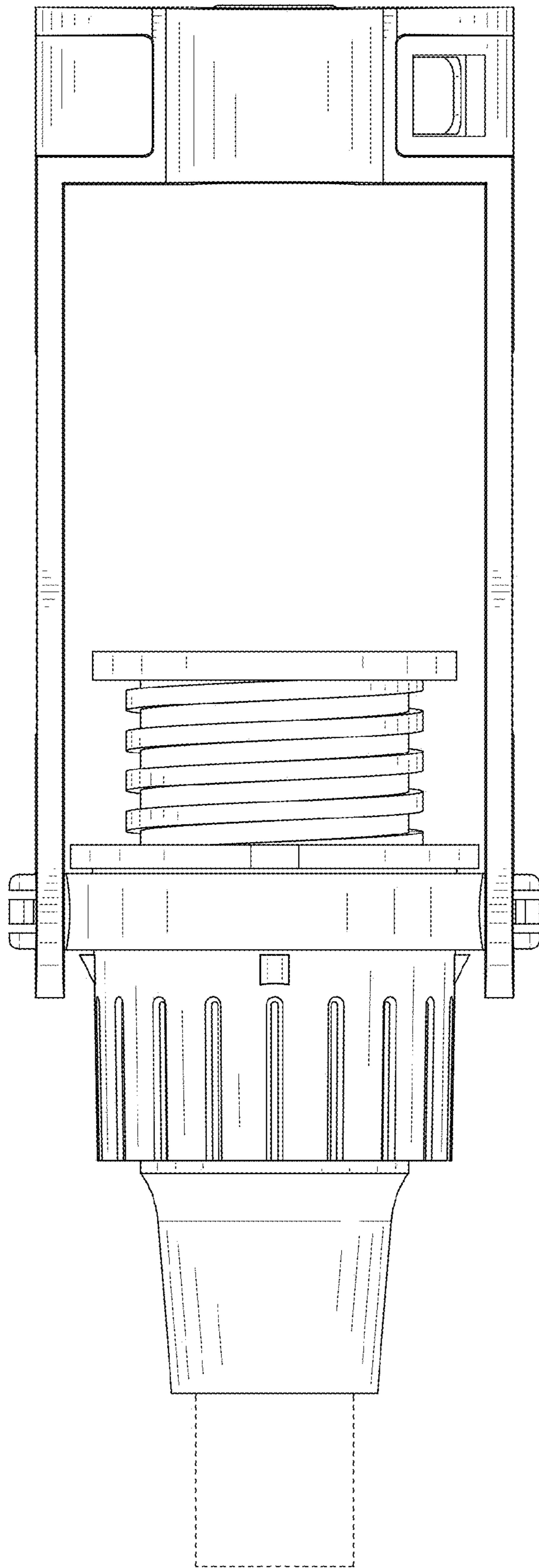


FIG. 12

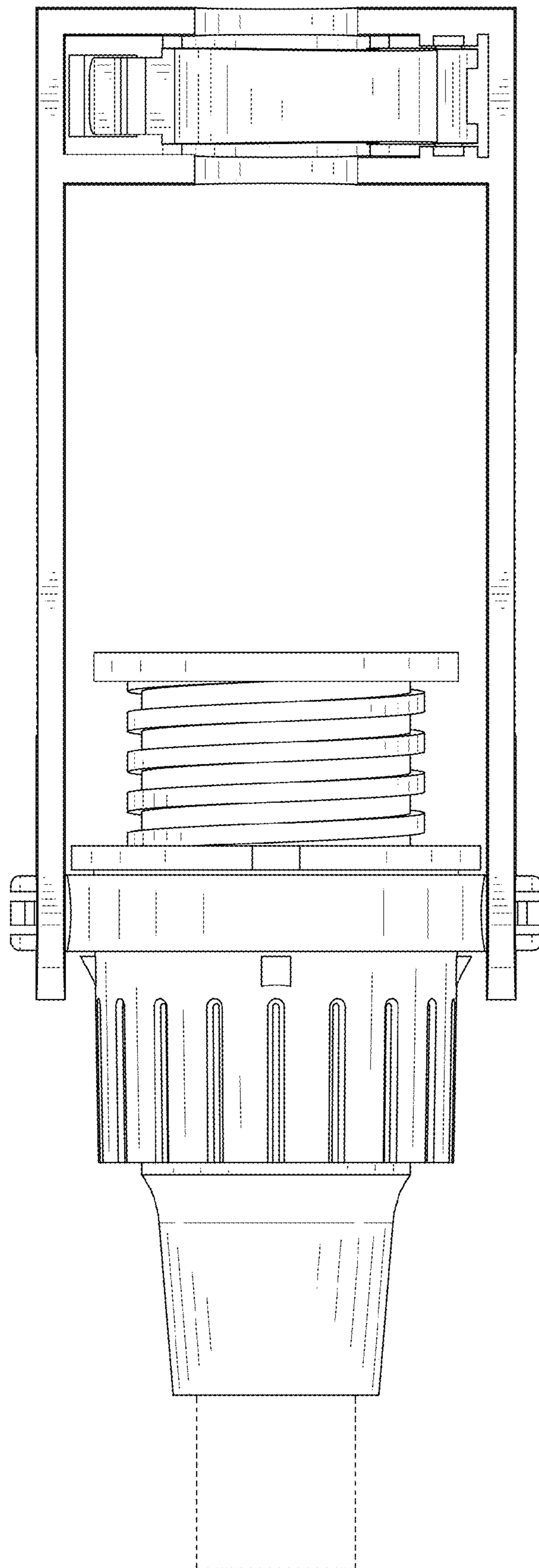


FIG. 13

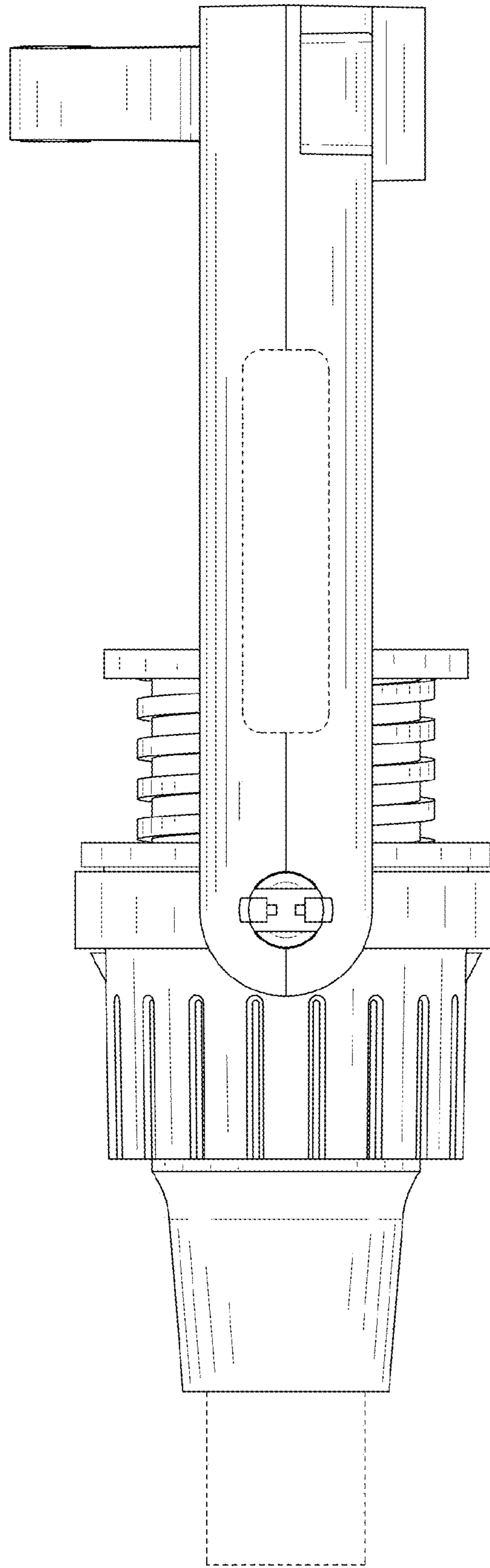


FIG. 14

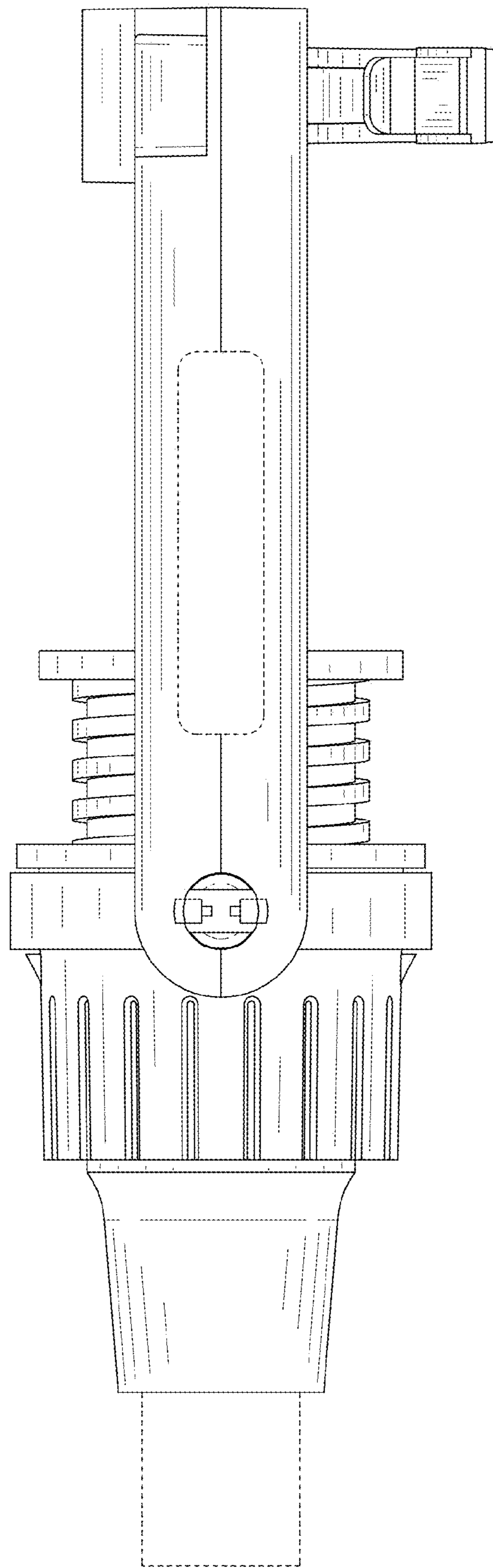


FIG. 15

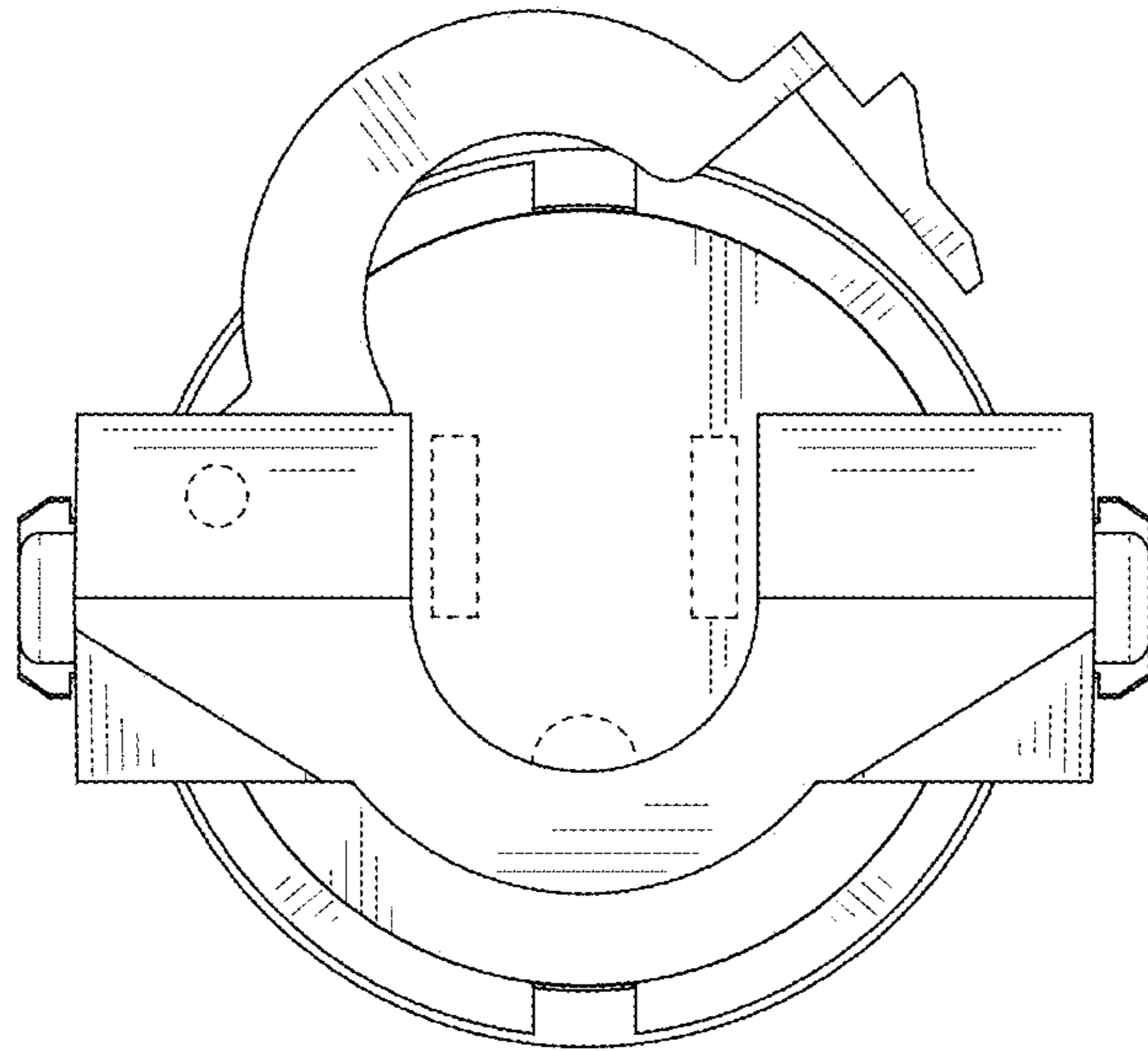


FIG. 16

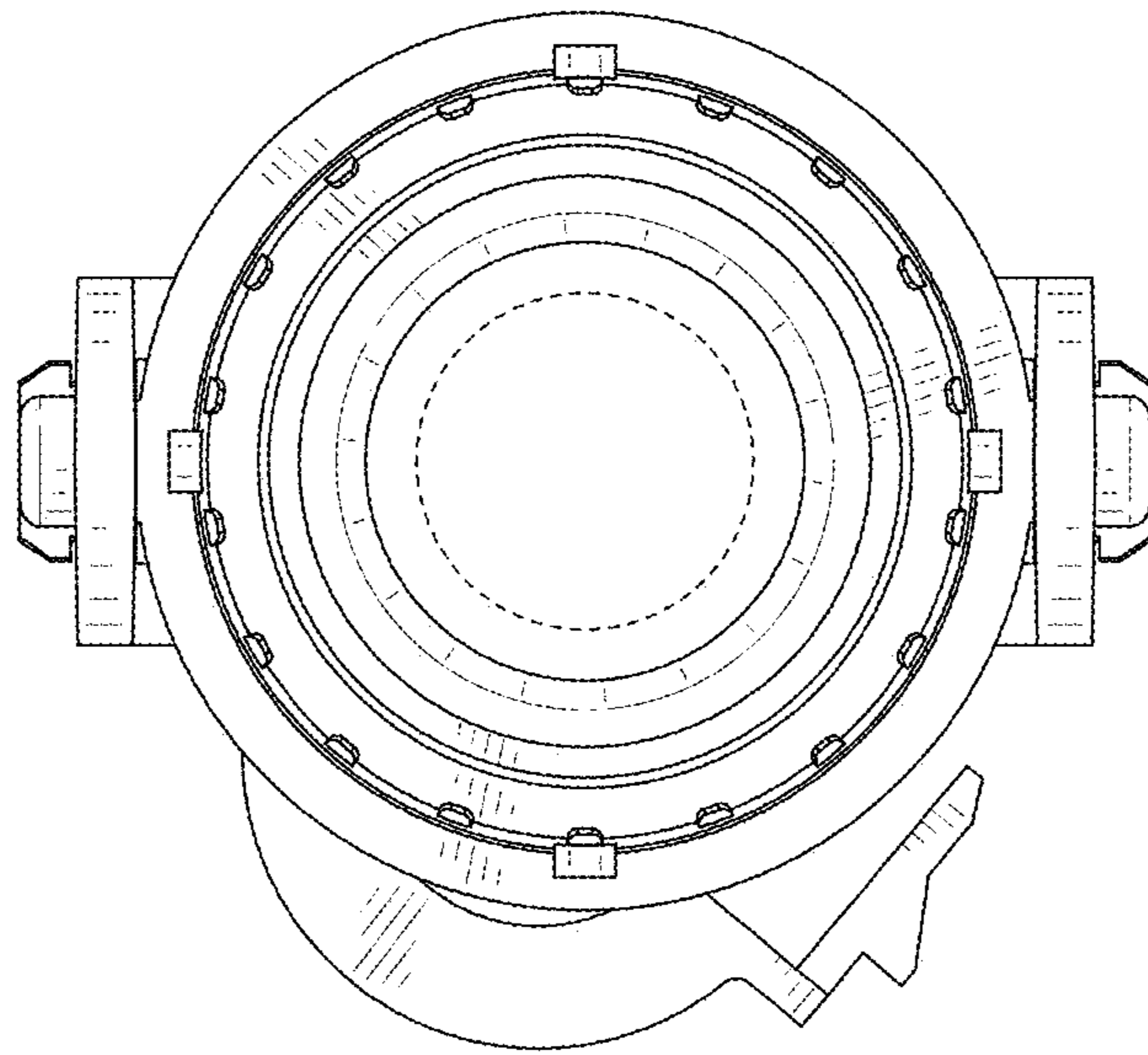


FIG. 17

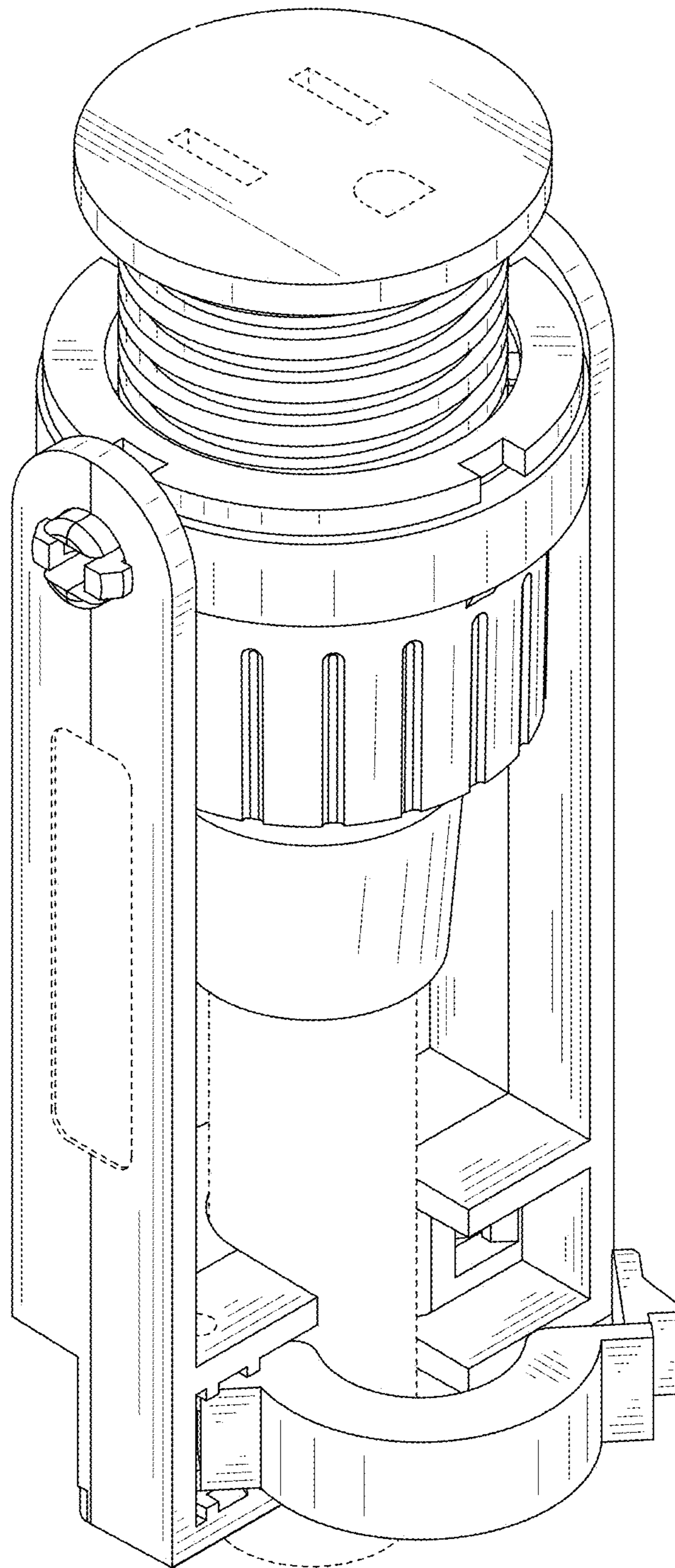


FIG. 18