

US00D964288S

(12) **United States Design Patent**
Kimmet

(10) **Patent No.:** **US D964,288 S**

(45) **Date of Patent:** **** Sep. 20, 2022**

(54) **ELECTRICAL POWER INLET CONNECTION DEVICE**

(71) Applicant: **Stephen G. Kimmet**, Tiffin, OH (US)

(72) Inventor: **Stephen G. Kimmet**, Tiffin, OH (US)

(**) Term: **15 Years**

(21) Appl. No.: **29/730,377**

(22) Filed: **Apr. 3, 2020**

(51) **LOC (13) Cl.** **13-03**

(52) **U.S. Cl.**
USPC **D13/137.2**

(58) **Field of Classification Search**

USPC ... D13/123, 133, 137.1, 137.2, 137.3, 137.4,
D13/138.1, 138.2, 139.1, 139.2, 139.3,
D13/139.4, 139.5, 139.6, 139.7, 139.8,
D13/151, 152, 153, 154, 155, 156, 157,
D13/158, 159, 184, 199, 103, 107, 108
CPC H01R 13/00; H01R 13/03; H01R 13/04;
H01R 13/10; H01R 13/35; H01R 13/44;
H01R 13/453; H01R 13/4534; H01R
13/502; H01R 13/514; H01R 13/631;
H01R 13/639; H01R 13/6633; H01R
13/6666; H01R 13/6675; H01R 13/7135;
H01R 31/02; H01R 31/06; H01R 31/065

See application file for complete search history.

(56) **References Cited**

U.S. PATENT DOCUMENTS

D148,379 S * 1/1948 Nagy D13/138.1
D375,292 S * 11/1996 D'Amato D13/137.1

(Continued)

FOREIGN PATENT DOCUMENTS

CA 193423 * 4/2022
CN 304095409 * 4/2017

(Continued)

OTHER PUBLICATIONS

“Meross Smart Wi-Fi Dual Plug, 15A Smart 2-in-1 Outlet, Support Apple HomeKit, Siri, Alexa, Echo, Google Assistant and Smart-Things, Voice & Remote Control, Timer, No Hub Required, 2.4G Only, 2 Pack”, first available May 10, 2020. Amazon.com [https://www.amazon.com/dp/B088FCQHF8] (Year: 2020).*

(Continued)

Primary Examiner — Rosemary K Tarcza

Assistant Examiner — Seth David Kumpf

(74) *Attorney, Agent, or Firm* — Jacob M. Ward; Ward Law Office LLC

(57) **CLAIM**

The ornamental design for an electrical power inlet connection device, as shown and described.

DESCRIPTION

FIG. 1 is a top perspective view of an electrical power inlet connection device;

FIG. 2 is a bottom perspective view thereof;

FIG. 3 is a front elevational view thereof;

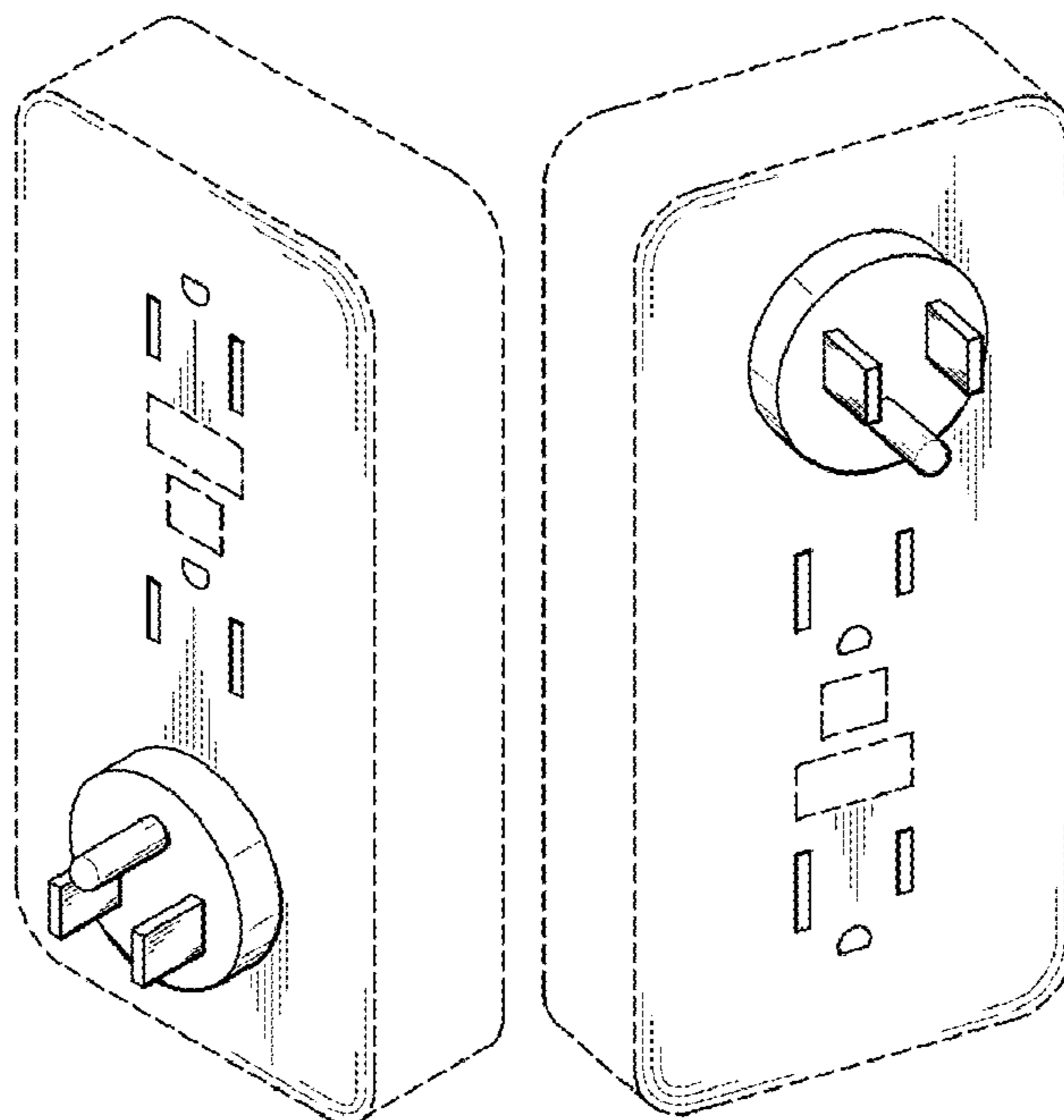
FIG. 4 is a right elevational view thereof; and,

FIG. 5 is a top plan view thereof.

A left side elevational view is not shown because it is a mirror image view of the right side elevational view shown in FIG. 4. A bottom plan view is not shown because it is a mirror image view of the top plan view shown in FIG. 5.

The ornamental design which is claimed is shown in solid lines in the drawings. The broken lines shown in the drawings are for the purpose of illustrating environment and form no part of the claimed design.

1 Claim, 1 Drawing Sheet



(56)

References Cited

| U.S. PATENT DOCUMENTS | | | |
|-----------------------|------|---------|------------------------------------|
| D436,921 | S * | 1/2001 | McCoy D13/139.1 |
| 6,386,921 | B1 * | 5/2002 | Casari H01R 31/06 439/651 |
| D719,512 | S * | 12/2014 | Roy D13/139.6 |
| D726,653 | S * | 4/2015 | Kourtis D13/137.1 |
| D808,339 | S * | 1/2018 | Page D13/139.4 |
| D817,281 | S * | 5/2018 | Salas D13/137.2 |
| D817,884 | S * | 5/2018 | Salas D13/137.2 |
| D820,211 | S * | 6/2018 | Salas D13/137.2 |
| D843,322 | S * | 3/2019 | Faul D13/139.8 |
| D845,900 | S * | 4/2019 | Liu D13/137.2 |
| D848,948 | S * | 5/2019 | Wei D13/137.2 |
| D851,597 | S * | 6/2019 | Ding D13/137.2 |
| D861,613 | S * | 10/2019 | Dai D13/137.2 |
| D911,969 | S * | 3/2021 | Canizares D13/137.2 |
| D923,576 | S * | 6/2021 | Lyu D13/137.2 |
| D928,713 | S * | 8/2021 | Ni D13/139.3 |
| D934,177 | S * | 10/2021 | Canizares D13/137.2 |
| D936,020 | S * | 11/2021 | Duc D13/110 |
| D936,597 | S * | 11/2021 | Salas D13/139.3 |
| 11,183,799 | B2 * | 11/2021 | Kimmet H01R 13/7135 |
| D946,532 | S * | 3/2022 | Fu D13/137.2 |
| 2002/0182906 | A1 * | 12/2002 | Teng H01R 31/06 439/131 |

FOREIGN PATENT DOCUMENTS

| | | | |
|----|-----------|---|--------|
| CN | 304240768 | * | 8/2017 |
| CN | 304694651 | * | 6/2018 |
| CN | 305141472 | * | 5/2019 |
| CN | 305293837 | * | 8/2019 |

OTHER PUBLICATIONS

“Smart Plug Extender, Dual WiFi Outlet Works with Alexa and Google Home, Surge Protector Mini Socket Plug-in Remote Control and Timer Function, ETL FCC Listed, 2.4G Wi-Fi Only, 10A 1200W, 2-Pack, White”, first available Nov. 26, 2021. Amazon.com [https://www.amazon.com/dp/B09MLSYH19] (Year: 2021).*

“USB wall Outlet with 15A 120V Two USB port 2.1A 3.6A 4.8A Charger outlets”, first available Apr. 14, 2022. Alibaba.com [https://www.alibaba.com/product-detail/USB-wall-Outlet-with-15A-120V_1600078360577.html] (Year: 2022).*

“Outlet Extender Shelf, Aicode Surge Protector, USB-C Wall Outlet Extender, 6 Outlet Wall Plug Splitter with 3 USB Charger, Multi Outlet Wall Charger, Shelf with Nightlight for Home/Dorm, White”, first available May 10, 2021. Amazon.com [https://www.amazon.com/dp/B092D6VXC2] (Year: 2021).*

* cited by examiner

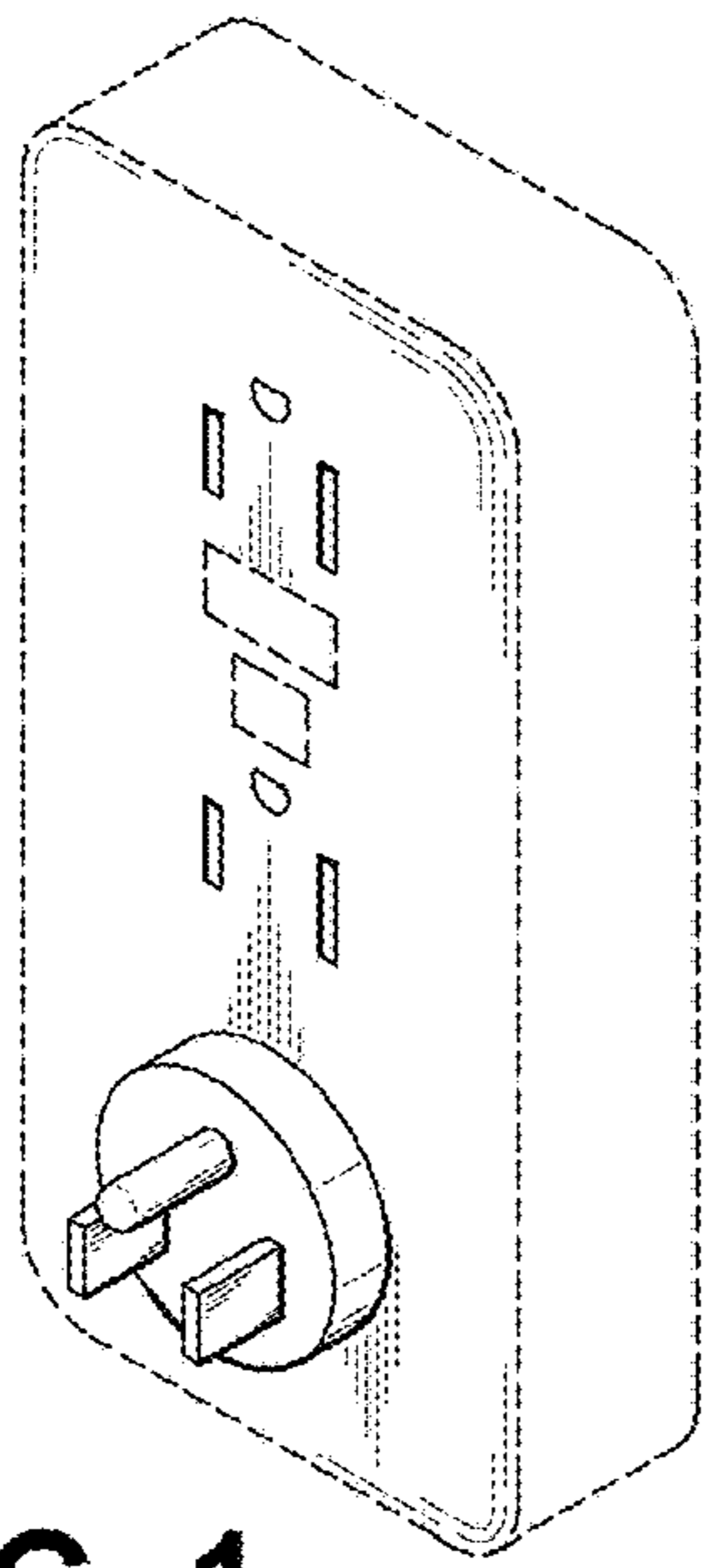


FIG. 1

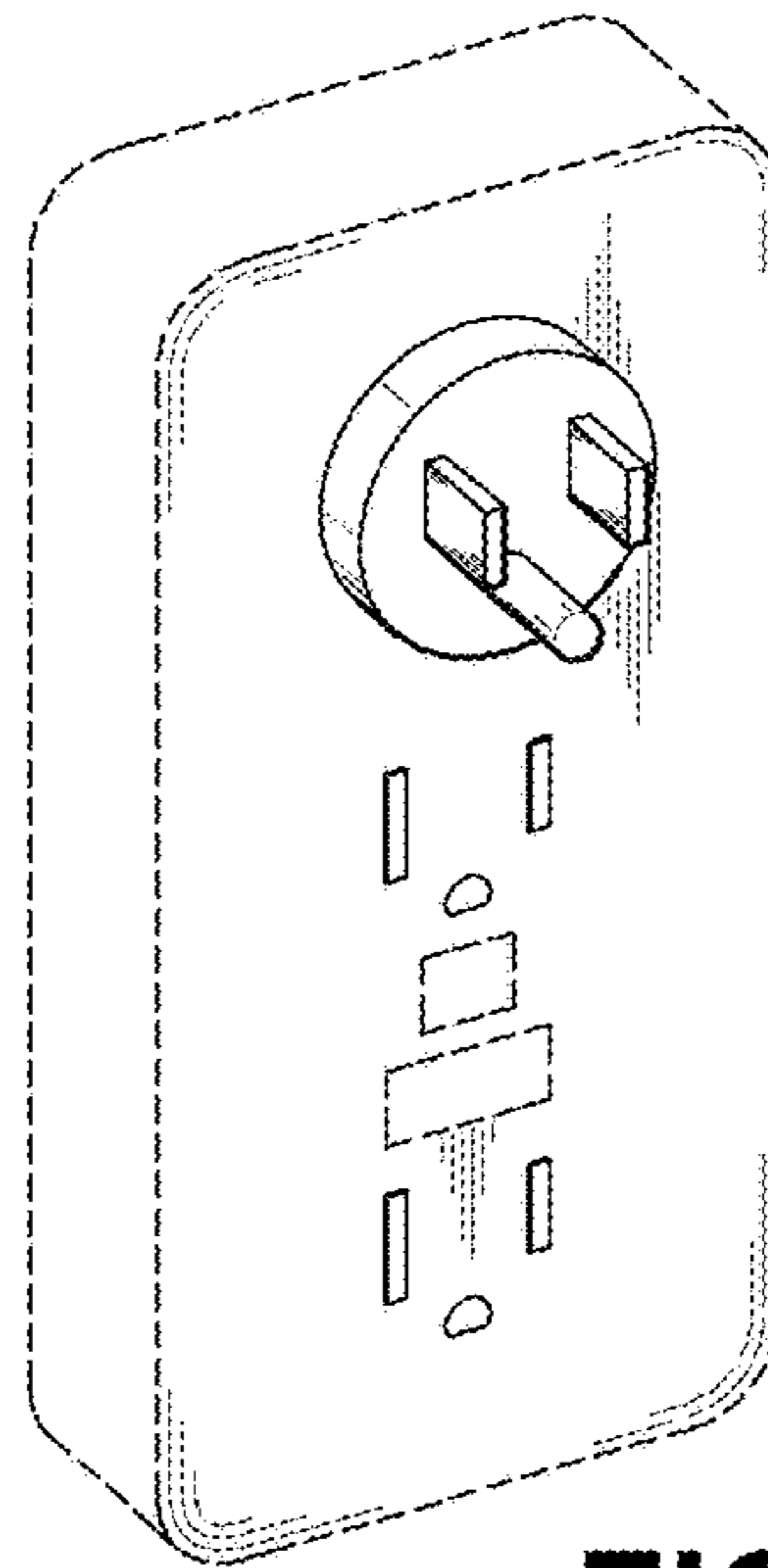


FIG. 2

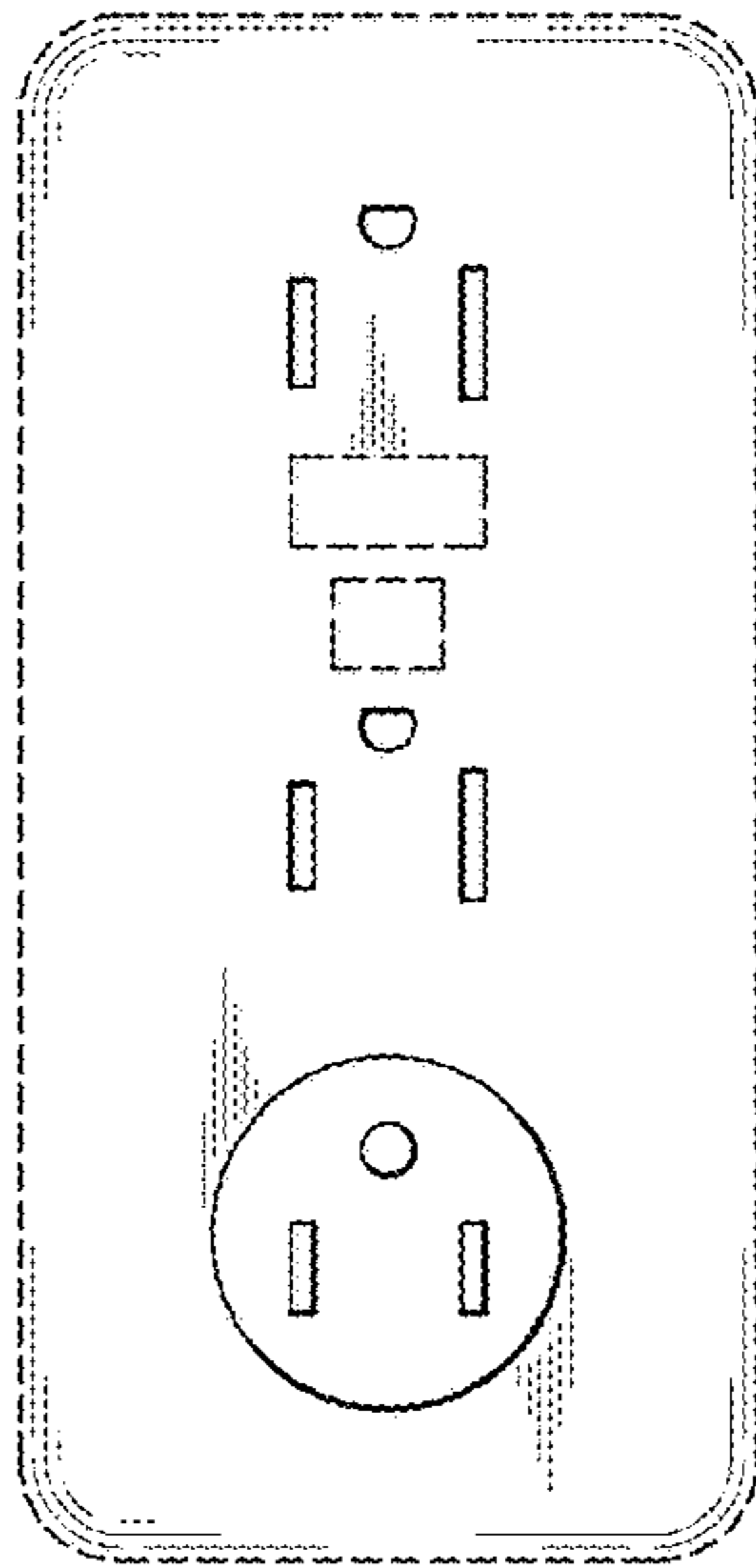


FIG. 3

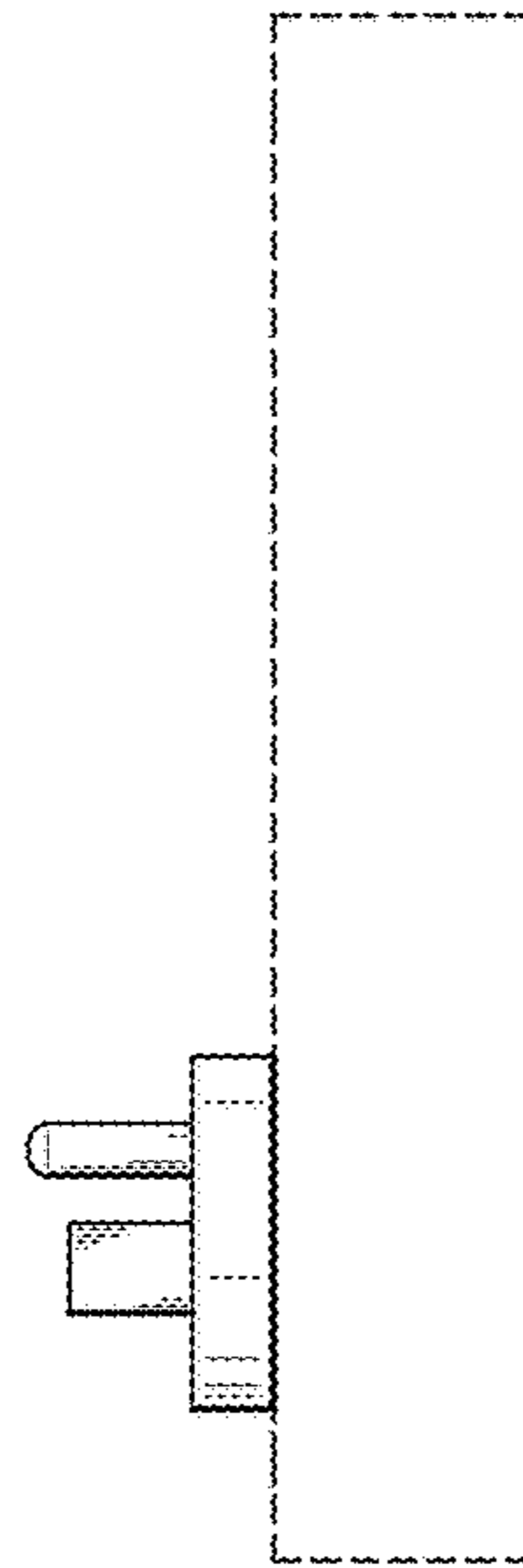


FIG. 4

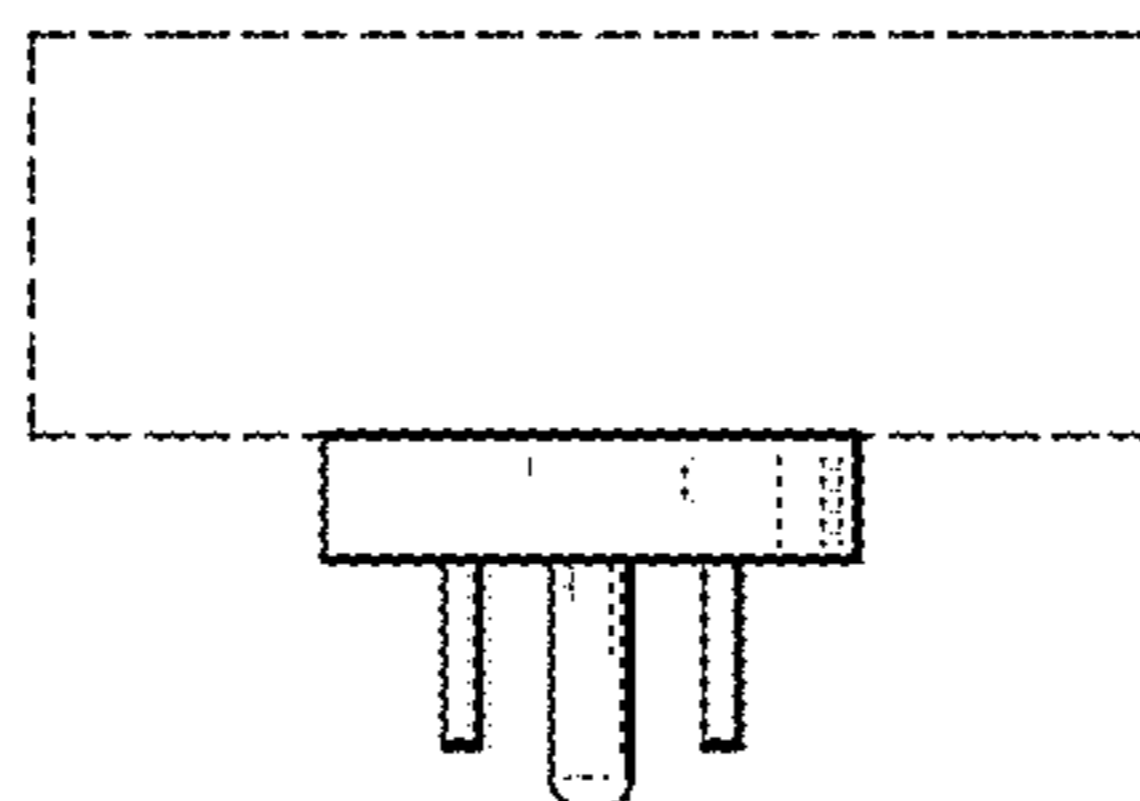


FIG. 5