

US00D964287S

(12) **United States Design Patent**
Corona

(10) **Patent No.:** **US D964,287 S**

(45) **Date of Patent:** **** Sep. 20, 2022**

(54) **ELECTRICAL CONNECTOR WITH FLANGE**

(71) Applicant: **DSM&T Company, Inc.**, Fontana, CA (US)

(72) Inventor: **Sergio Corona**, Upland, CA (US)

(73) Assignee: **DSM&T Company, Inc.**, Fontana, CA (US)

(**) Term: **15 Years**

(21) Appl. No.: **29/766,903**

(22) Filed: **Jan. 19, 2021**

(51) **LOC (13) Cl.** **13-03**

(52) **U.S. Cl.**
USPC **D13/133**

(58) **Field of Classification Search**
USPC D13/120, 133-136, 138.1, 139.1,
D13/146-147, 149, 151, 154, 156, 162,
D13/199
CPC . B60R 16/0215; B60R 16/0222; H01R 13/50;
H01R 13/512; H01R 13/748; H01R
13/5202; F16B 9/052; F16B 9/054; F16B
39/01; G02B 6/3825
See application file for complete search history.

(56) **References Cited**

U.S. PATENT DOCUMENTS

123,275 A	1/1872	McCurry	
D86,515 S	3/1932	Cox	
2,046,221 A	6/1936	Thomas	
D152,275 S *	1/1949	Ludwig	D13/134
2,633,482 A	3/1953	De Tar	
D188,419 S	7/1960	Danesi	
3,008,116 A	11/1961	Blanchenot	
3,560,908 A	2/1971	Dell et al.	
D251,491 S	4/1979	Snyder, Jr. et al.	
4,258,970 A	3/1981	Bourdon et al.	
D265,189 S	6/1982	Eriksson	
4,606,596 A	8/1986	Whiting et al.	

D286,397 S	10/1986	Challans
4,704,091 A	11/1987	Owens et al.
D321,252 S	10/1991	Jepson et al.
D326,642 S	6/1992	Lowe
D328,281 S	7/1992	Nociar
D329,840 S	9/1992	Nociar
5,201,669 A	4/1993	Lin
D336,070 S	6/1993	Clark
D344,490 S	2/1994	Nociar
5,285,163 A	2/1994	Liotta

(Continued)

OTHER PUBLICATIONS

AT04-6P-PM16, Date: Mar. 23, 2018, [online], [site visited May 6, 2022]. Available from internet, URL: <https://www.amphenol-industrial.de/en/AT04-6P-PM16/Male-Receptacle-6pol-Sealed-Flange-Strain-Relief-Reduced-Dia-Seal-blackblack/p10444> (Year: 2018).*

(Continued)

Primary Examiner — Shawn T Gingrich
Assistant Examiner — Bryan N. Melvin
(74) *Attorney, Agent, or Firm* — Keusey & Associates, P.C.

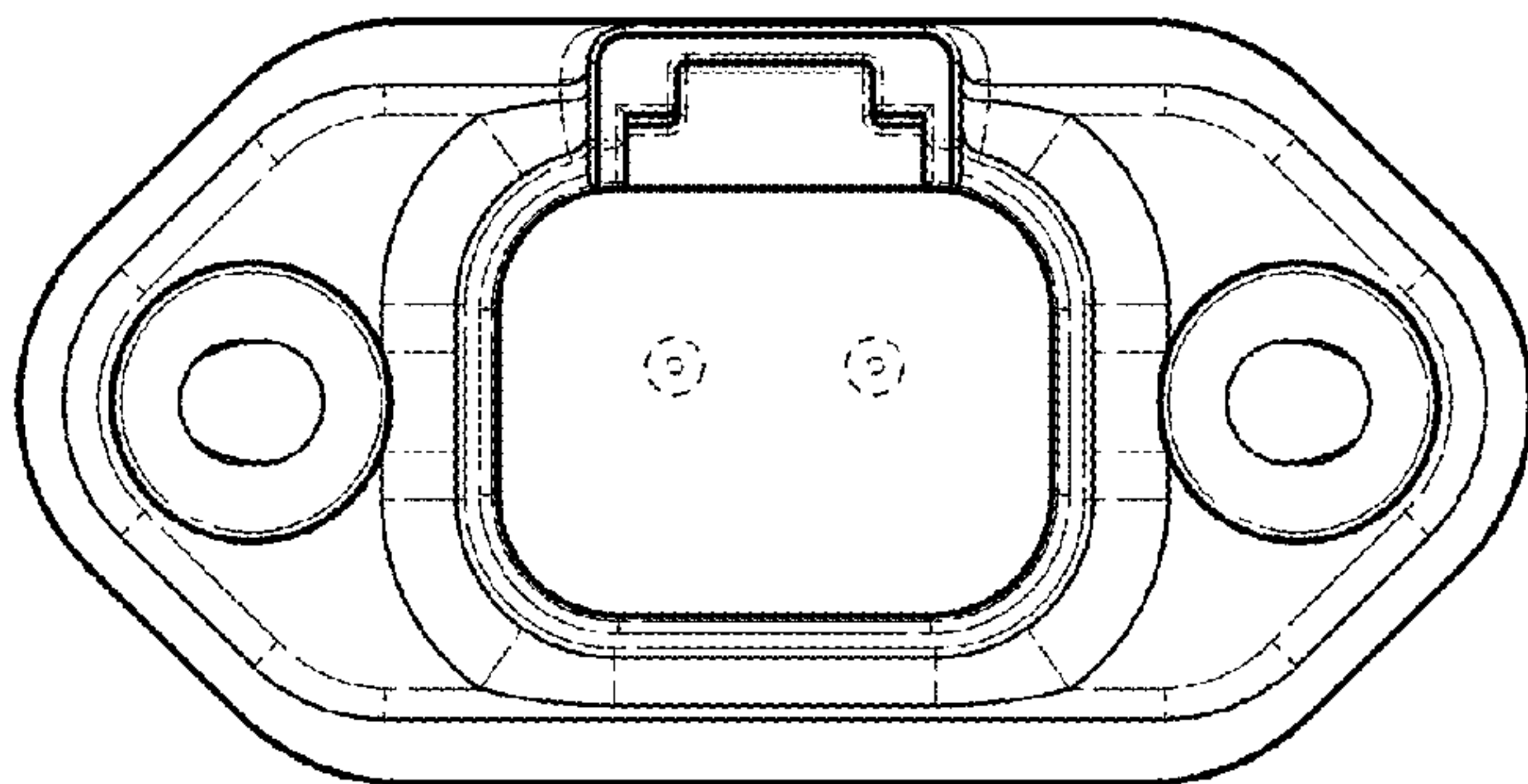
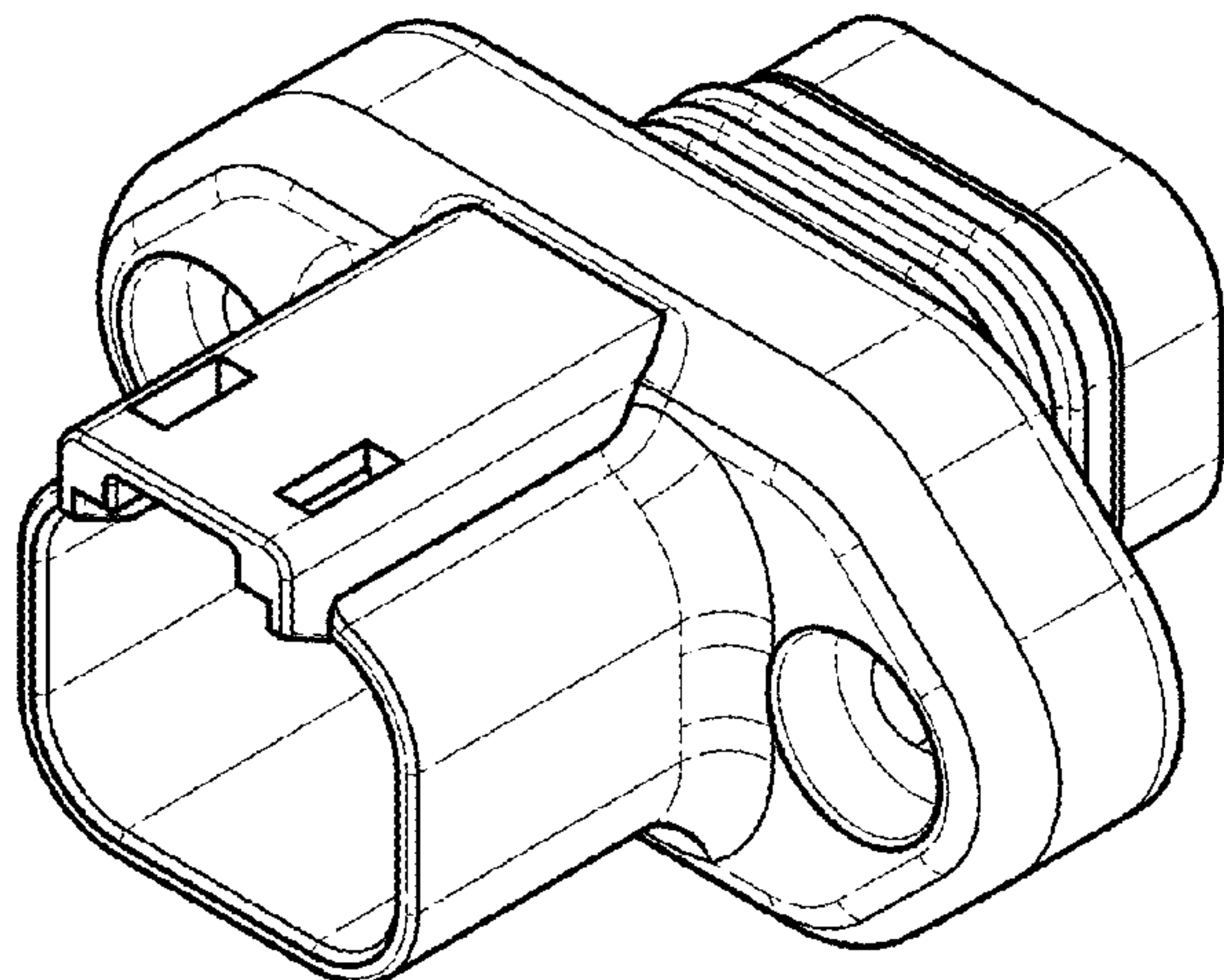
(57) **CLAIM**

The ornamental design for an electrical connector with flange, as shown and described.

DESCRIPTION

FIG. 1 is a top, front, right side perspective view of my new design of an electrical connector with flange. FIG. 2 is a front side elevational view thereof. FIG. 3 is a left side elevational view thereof. FIG. 4 is a rear side elevational view thereof. FIG. 5 is a right side elevational view thereof. FIG. 6 is a top plan view thereof; and, FIG. 7 is a bottom plan view thereof. The broken lines in FIGS. 2 and 4 represent environment only, and form no part of the claimed design.

1 Claim, 3 Drawing Sheets



(56)

References Cited

U.S. PATENT DOCUMENTS

D350,955 S *	9/1994	Pucci	D13/146	7,785,123 B2	8/2010	Corona	
D355,163 S	2/1995	Dolson		D626,506 S	11/2010	Giefers et al.	
5,401,181 A	3/1995	Wilson		RE42,230 E	3/2011	Norin et al.	
D360,187 S	7/1995	Starec et al.		D635,520 S	4/2011	Kiely	
D360,871 S	8/1995	Wilson		D637,159 S	5/2011	Hu	
D360,872 S	8/1995	Wilson		D639,243 S	6/2011	Gharib et al.	
5,460,545 A	10/1995	Siemon et al.		D639,250 S	6/2011	Svelnis et al.	
D366,646 S	1/1996	Carr		D639,743 S	6/2011	Smith et al.	
D367,644 S	3/1996	Fukao et al.		7,967,627 B2	6/2011	Limpkin	
D371,112 S	6/1996	Anthony		D643,815 S	8/2011	Mark et al.	
5,641,310 A	6/1997	Tiberio, Jr.		8,047,725 B2 *	11/2011	Katagiyama	G02B 6/3825 385/58
D390,192 S *	2/1998	Ono	D13/147	D651,171 S	12/2011	Yamauchi et al.	
D393,831 S	4/1998	Siemon et al.		D651,172 S	12/2011	Yamauchi et al.	
D399,822 S	10/1998	Starec		D651,980 S	1/2012	Byrne	
D400,173 S	10/1998	Starec		D652,803 S	1/2012	Gouhl	
D402,959 S *	12/1998	Harada	D13/134	D670,647 S	11/2012	Ebihara	
D410,629 S	6/1999	Bandura		D670,650 S	11/2012	Ebihara	
D413,100 S	8/1999	Nakazawa		D673,118 S	12/2012	Giefers et al.	
D416,230 S	11/1999	Narumo et al.		D677,629 S	3/2013	Corona	
D425,028 S	5/2000	Lee		D678,200 S	3/2013	Corona	
D427,309 S	6/2000	Molina		D678,201 S	3/2013	Corona	
D434,377 S	11/2000	Bussett et al.		D678,202 S	3/2013	Corona	
D437,828 S	2/2001	Corona		D678,203 S	3/2013	Corona	
D439,221 S	3/2001	Corona		D678,204 S	3/2013	Corona	
D444,128 S	6/2001	Tan et al.		D679,662 S	4/2013	Svelnis et al.	
D445,763 S	7/2001	Corona		D682,209 S	5/2013	Henrink et al.	
D446,186 S	8/2001	Corona		D682,793 S	5/2013	Igelmund	
D454,115 S	3/2002	Zemba		D689,021 S *	9/2013	Wang	D13/133
6,379,169 B1	4/2002	Corona		D692,829 S	11/2013	Dobler	
6,383,003 B1	5/2002	Corona		D694,189 S	11/2013	Ledinger et al.	
D472,523 S	4/2003	Hansen		D697,030 S	1/2014	Ledinger et al.	
D473,844 S	4/2003	Bender et al.		D698,730 S	2/2014	Hori et al.	
D494,141 S	8/2004	Spink		D703,142 S	4/2014	Hoshino et al.	
D502,919 S	3/2005	Studnick		D704,645 S	5/2014	Nomura et al.	
D503,150 S	3/2005	Yamawaki et al.		D705,738 S	5/2014	Schmidt et al.	
D513,405 S	1/2006	Rohr		D707,179 S	6/2014	Smith	
D514,070 S	1/2006	Bachmann		D707,631 S *	6/2014	Koshiishi	D13/134
D516,028 S	2/2006	Deng		D708,141 S *	7/2014	Koshiishi	D13/134
D521,933 S	5/2006	Wade et al.		D708,142 S	7/2014	Luther et al.	
D524,736 S	7/2006	Morita et al.		D712,840 S	9/2014	Sykes et al.	
D524,737 S	7/2006	Lai et al.		D715,227 S	10/2014	Leem	
7,074,070 B1	7/2006	Huang		D716,233 S	10/2014	Lai	
D527,346 S	8/2006	Brodin		D716,732 S	11/2014	Neumann	
D529,441 S	10/2006	LaPere		D729,169 S	5/2015	Corona	
D529,865 S	10/2006	LaPere		D733,655 S	7/2015	Sato et al.	
D533,502 S	12/2006	Wakefield et al.		D735,671 S	8/2015	Kuhnert	
D534,126 S	12/2006	Chan		D737,771 S	9/2015	Hofmann	
D535,618 S	1/2007	Hu et al.		D743,893 S	11/2015	Kuribayashi	
D543,941 S	6/2007	Hargreaves		D747,271 S	1/2016	Endo	
D544,840 S	6/2007	Hargreaves		D748,058 S	1/2016	Corona	
D555,594 S	11/2007	So		D753,065 S	4/2016	Corona	
7,300,318 B2	11/2007	Deja		D753,600 S	4/2016	Svelnis	
D559,785 S	1/2008	Tosetti		D756,929 S	5/2016	Harck	
D560,168 S	1/2008	McCoy		D762,178 S	7/2016	Liu et al.	
D560,610 S	1/2008	McCoy		D766,183 S	9/2016	Corona	
D569,955 S	5/2008	Chen		D766,184 S	9/2016	Corona	
D571,727 S	6/2008	Yang et al.		D768,082 S	10/2016	Chuang	
7,390,210 B2	6/2008	Corona		D768,097 S *	10/2016	Powers	D13/199
D573,536 S	7/2008	Hariharsan et al.		D770,386 S	11/2016	Corona	
7,395,166 B2	7/2008	Plishner		D770,981 S	11/2016	Corona	
D577,671 S	9/2008	Schnitzler		D771,569 S	11/2016	Smith	
D585,026 S *	1/2009	Kok	D13/133	D774,465 S	12/2016	Corona	
D586,750 S	2/2009	Li		D774,466 S	12/2016	Corona	
D596,125 S	7/2009	Norin et al.		D777,106 S	1/2017	Katagiyama	
D601,090 S	9/2009	Vigorito et al.		D778,838 S	2/2017	Dobler	
D604,697 S	11/2009	Sogo et al.		D780,123 S	2/2017	Zetterqvist et al.	
D605,599 S	12/2009	Wong		D781,787 S	3/2017	Spiel	
D606,944 S	12/2009	Mehnert et al.		D787,446 S	5/2017	Cockerill	
D611,904 S	3/2010	Mehnert et al.		9,680,268 B1	6/2017	Finona	
D613,246 S	4/2010	Muecke et al.		9,692,144 B1	6/2017	Hung	
D615,040 S	5/2010	Slippy et al.		D793,340 S	8/2017	Wang	
D615,042 S	5/2010	Morgan et al.		D794,572 S	8/2017	Corona	
D615,496 S	5/2010	Mennekes		D797,052 S	9/2017	Moseke et al.	
7,722,397 B2	5/2010	Schleith		D801,933 S	11/2017	Sasaki	
D616,821 S	6/2010	The		D813,821 S	3/2018	Corona	
				D813,822 S	3/2018	Corona	
				9,912,081 B2	3/2018	Corona	
				D816,040 S	4/2018	Corona	

(56)

References Cited

U.S. PATENT DOCUMENTS

D816,616 S 5/2018 Corona
D818,964 S 5/2018 Corona
D824,856 S 8/2018 Corona
D824,862 S 8/2018 Corona
D837,741 S 1/2019 Corona
D838,247 S 1/2019 Corona
D856,285 S 8/2019 Szymura
D859,320 S 9/2019 Corona
D937,780 S * 12/2021 Kondo D13/133
2002/0123275 A1 9/2002 Zhao
2003/0139094 A1 7/2003 Venditti et al.
2003/0181087 A1 9/2003 Corona
2004/0147170 A1 7/2004 Greenwood et al.
2008/0233773 A1 9/2008 Meleck
2011/0003512 A1 1/2011 Bower et al.
2014/0120761 A1 5/2014 Chiu
2014/0141634 A1 5/2014 Sasano
2014/0302724 A1 10/2014 Ono
2015/0303617 A1 10/2015 Smith
2016/0049747 A1 2/2016 Yu

2016/0079706 A1* 3/2016 Grudzewski B60R 16/0222
439/345
2016/0248199 A1 8/2016 Schrader
2019/0052011 A1* 2/2019 Kondo F16B 9/052
2019/0081436 A1 3/2019 Onodi

OTHER PUBLICATIONS

AT04-6P-PM14, Date: Mar. 23, 2018, [online], [site visited May 6, 2022]. Available from internet, URL: https://www.amphenol-sine.com/AT04-6P-PM14-6-Position-Receptacle-Pin-Panel-Mount-Self-Threading-RD01-Seal-Cap_p_6205.html (Year: 2018).
Jameco Challenge: Male and Female Connectors, dated Mar. 9, 2012, [online] Available from Internet, <URL: <https://www.jameco.com/Jameco/workshop/challenge/maleorfemale.html>>, Accessed Jul. 18, 2019.
3/4 in. Male Terminal Adapter, dated Jan. 16, 2016, [online] Available from Internet, <URL: <https://www.homedepot.com/?/3-4-in-Male-Terminal-Adapter-R5140104/202043511>>, Accessed Jul. 18, 2019.

* cited by examiner

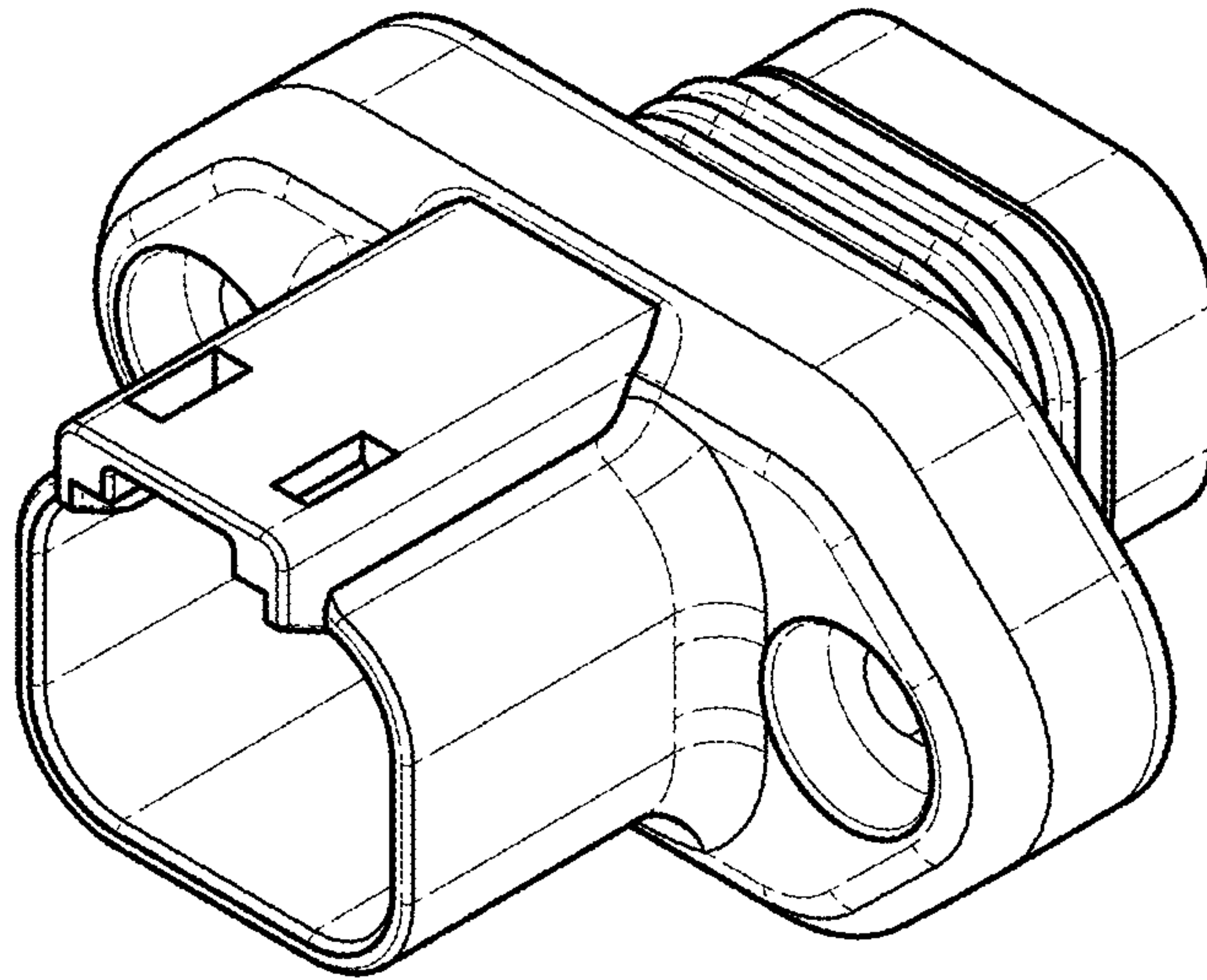


FIG. 1

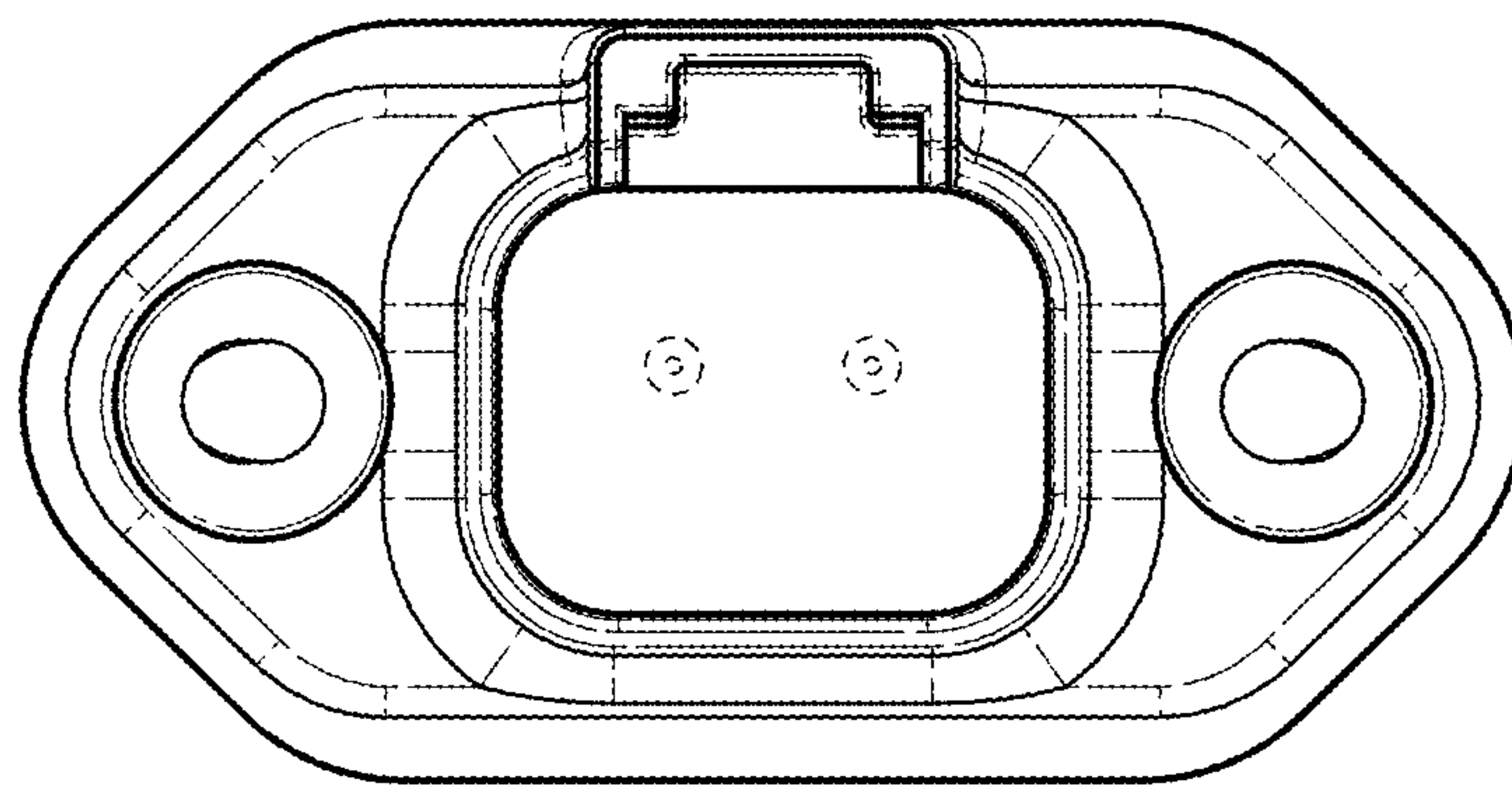


FIG. 2

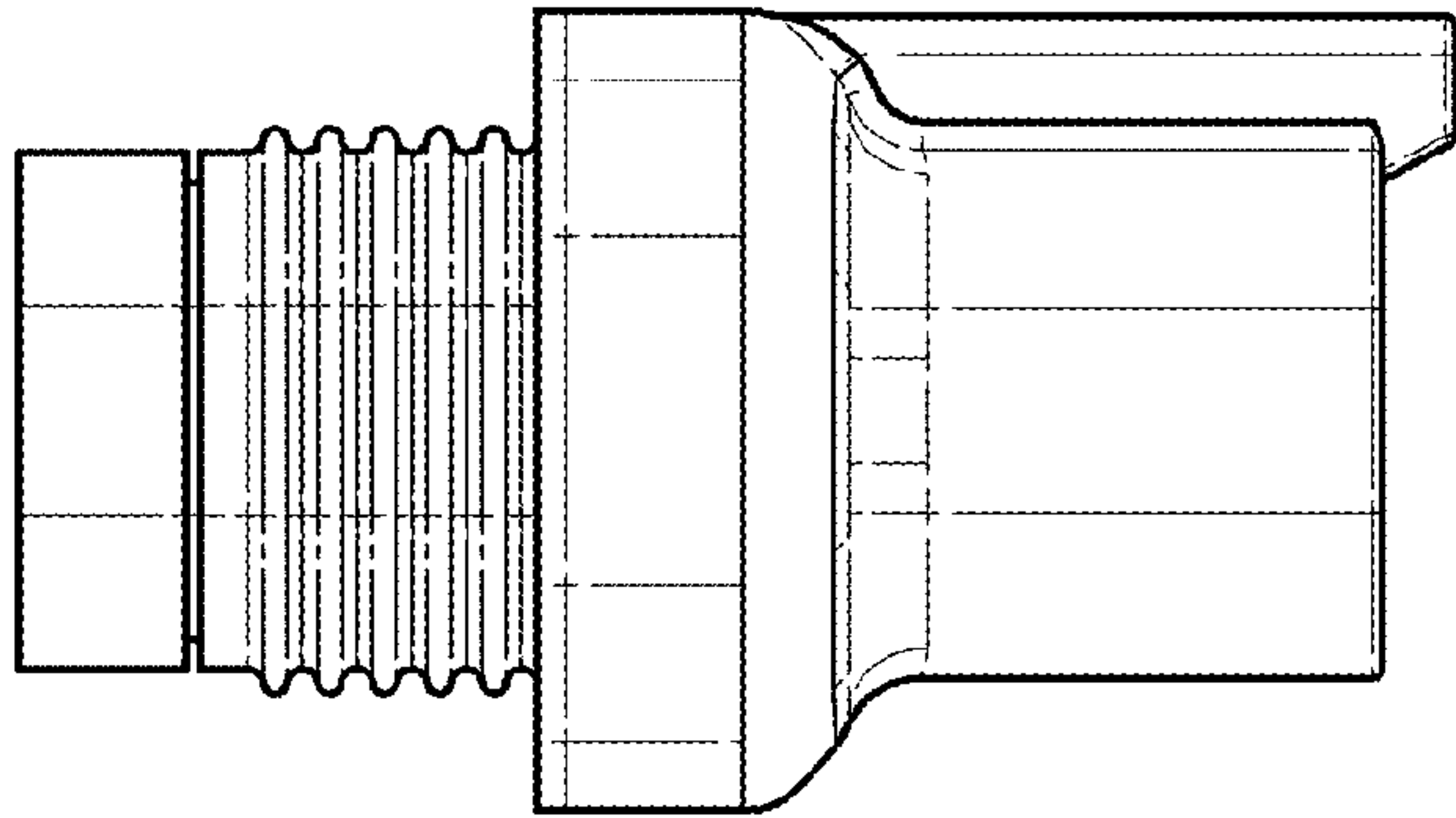


FIG. 3

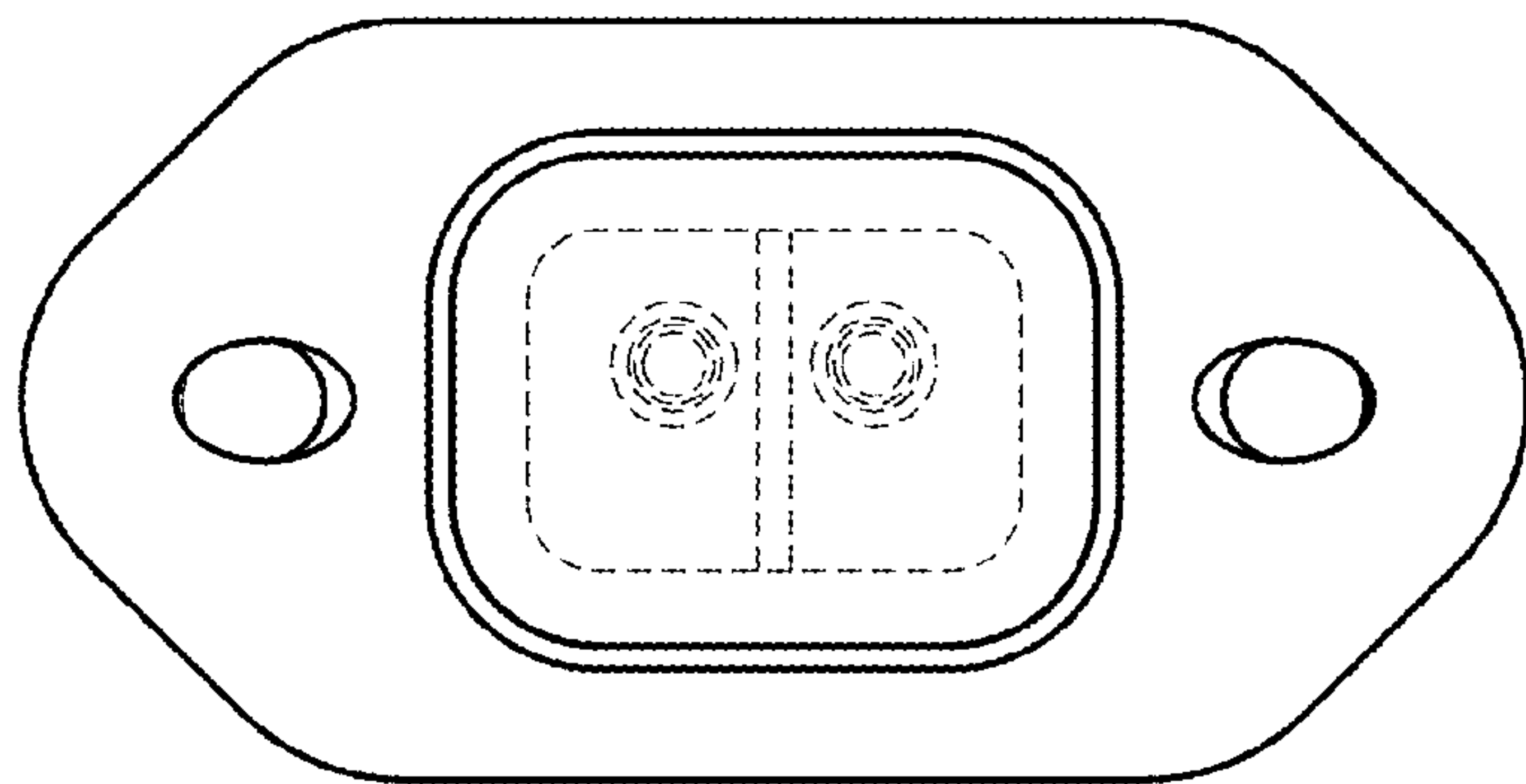


FIG. 4

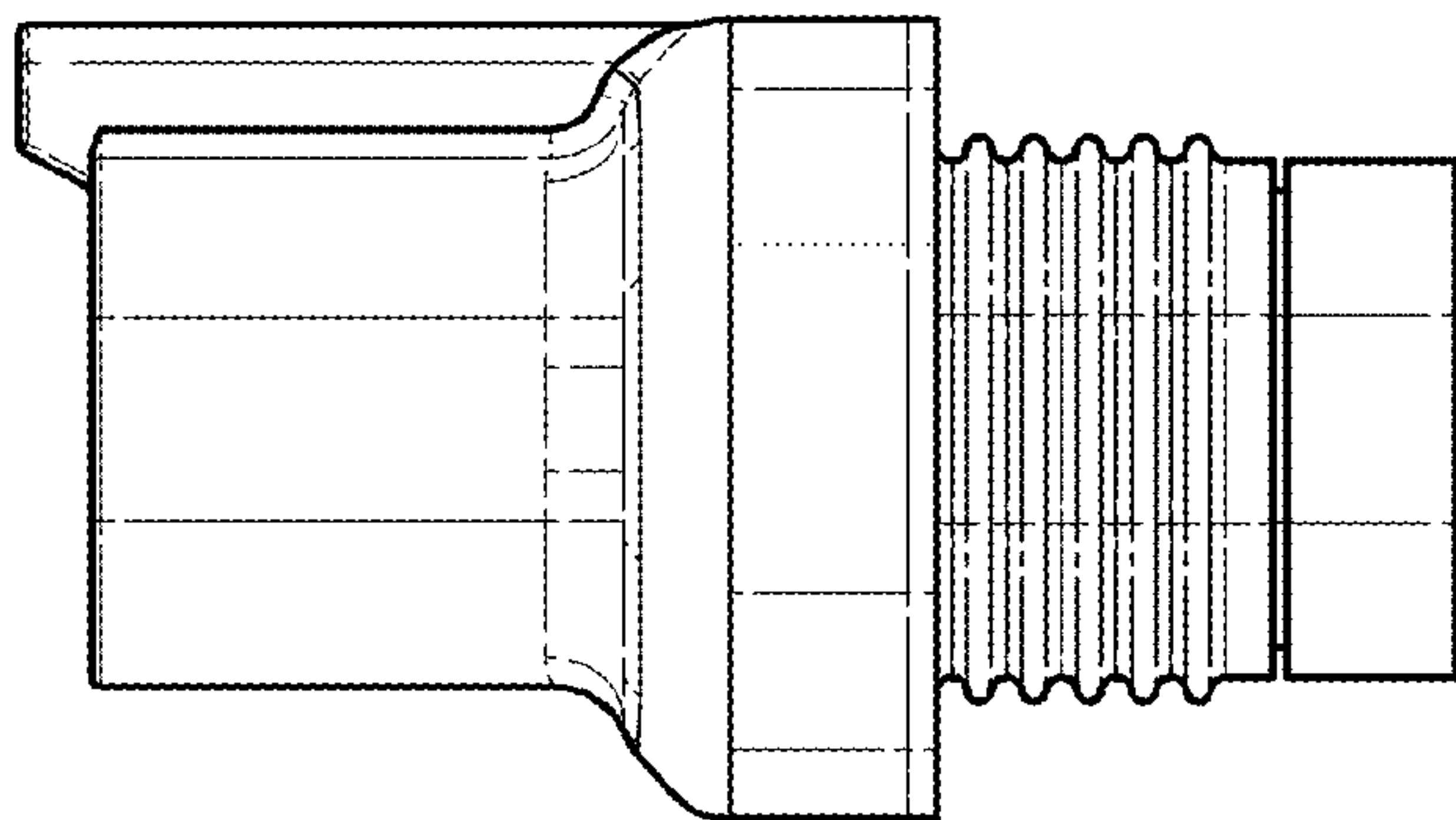


FIG. 5

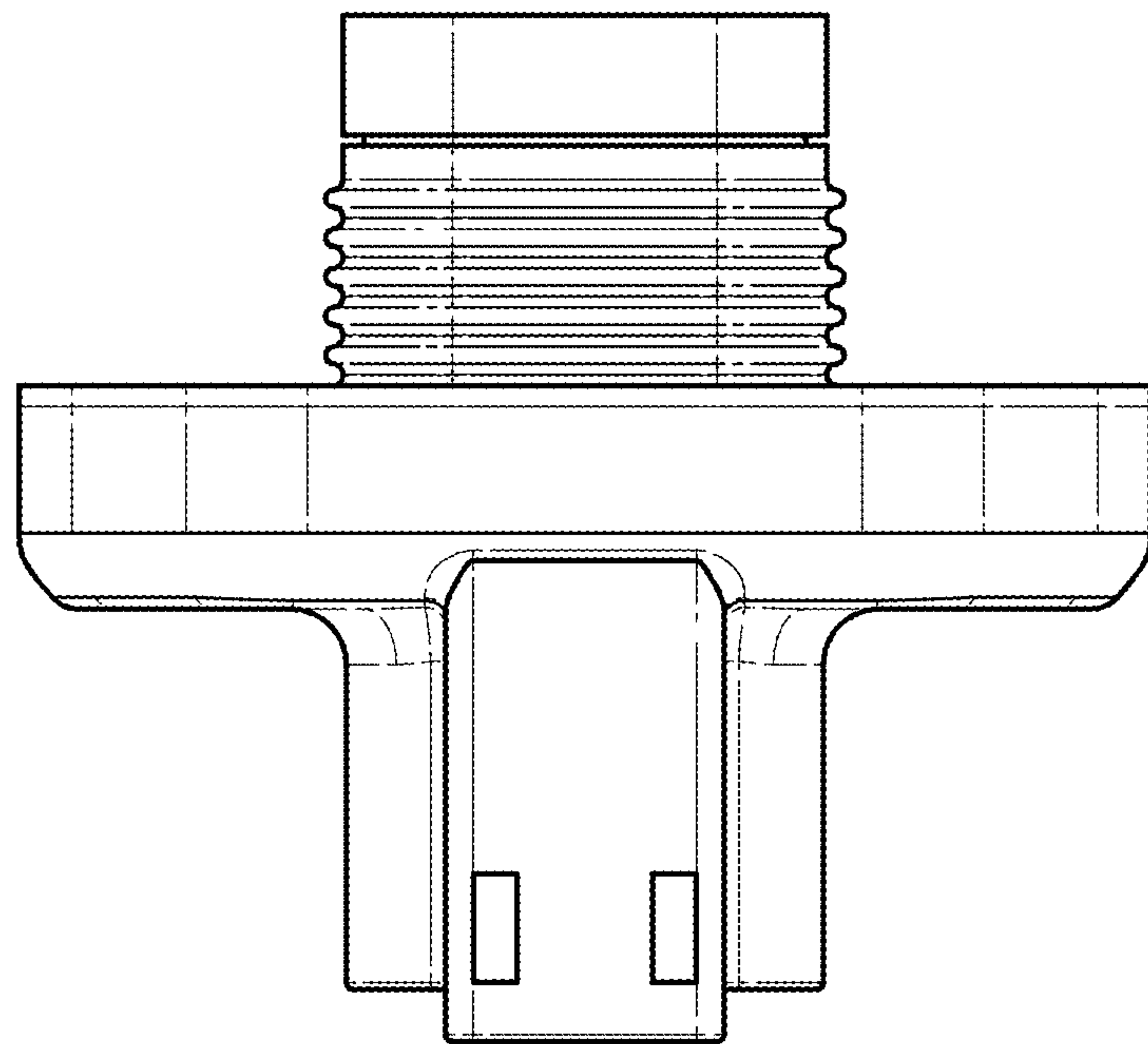


FIG. 6

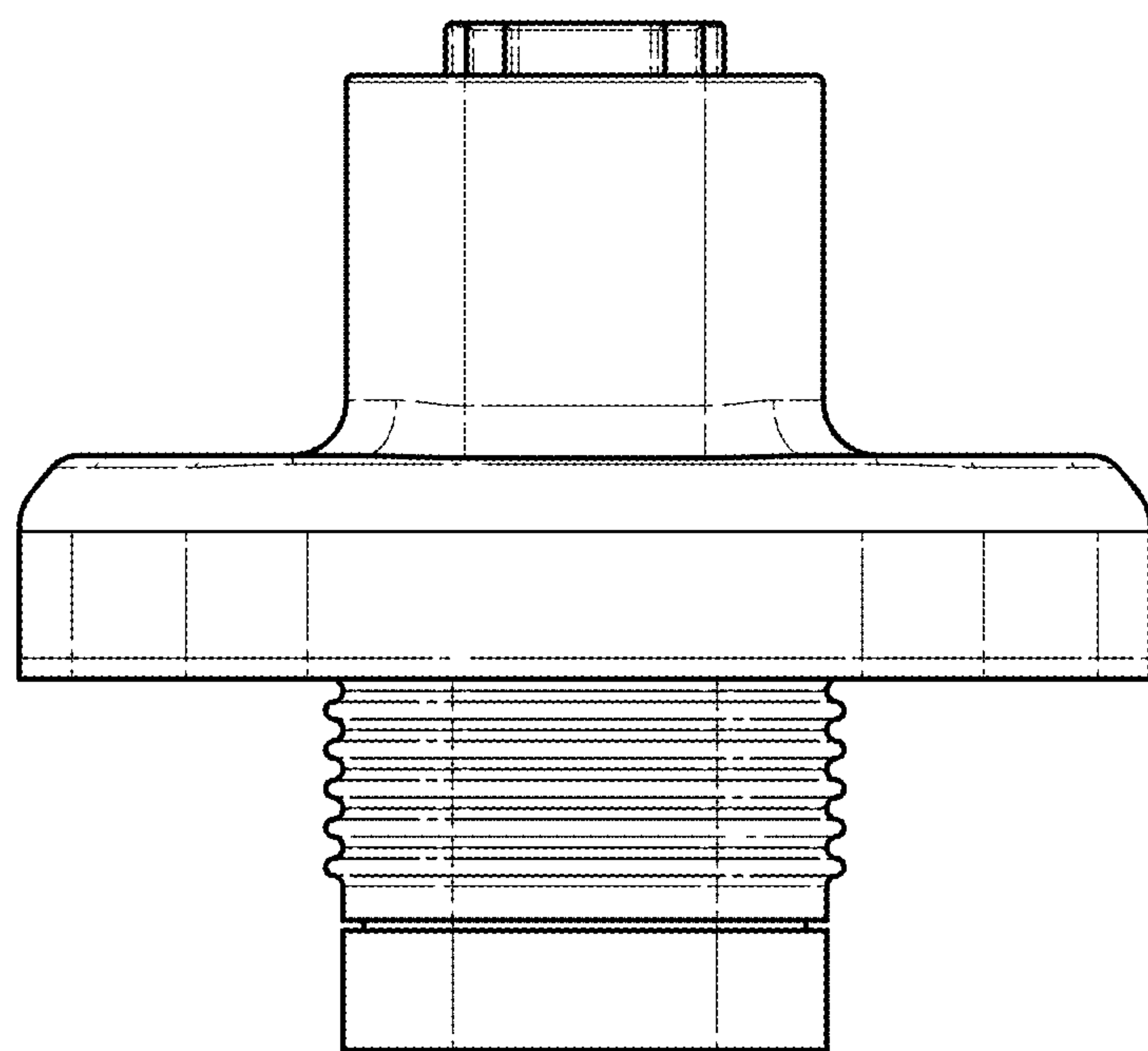


FIG. 7