



US00D964286S

(12) **United States Design Patent** (10) **Patent No.:** **US D964,286 S**
Murphy (45) **Date of Patent:** **** Sep. 20, 2022**

(54) **MUTE SWITCH FOR INSTRUMENT CABLES**

(71) Applicant: **Nathan Scott Murphy**, Madison, IN (US)

(72) Inventor: **Nathan Scott Murphy**, Madison, IN (US)

(**) Term: **15 Years**

(21) Appl. No.: **29/731,046**

(22) Filed: **Apr. 10, 2020**

(51) **LOC (13) Cl.** **13-03**

(52) **U.S. Cl.**
USPC **D13/133; D14/155**

(58) **Field of Classification Search**
USPC D8/21, 331, 339, 349, 356; D13/103, D13/125, 133, 151, 153, 160, 168; D14/155, 203.1, 203.7-203.8, 205, D14/217-218, 221, 230, 242, 256, 358, D14/496; D15/79, 199; D17/20, 99; D26/37; D34/35
CPC H01R 24/58; H01R 35/00; H01R 13/701; H01R 13/7032; H03G 3/34; H03G 3/345; H05K 5/0221
See application file for complete search history.

(56) **References Cited**

U.S. PATENT DOCUMENTS

2,610,223	A *	9/1952	Puerner	H01R 24/58
					439/669
D212,003	S *	8/1968	Roberts	D14/155
D212,006	S *	8/1968	Roberts	D14/155
D300,425	S *	3/1989	Sumita	D13/133
5,238,422	A *	8/1993	Scherer	H01R 24/58
					439/668
D592,633	S *	5/2009	Hynecek	D14/155
7,618,294	B1 *	11/2009	Lin	H01R 35/00
					439/669
7,758,365	B2	7/2010	Purchon		

7,947,892 B2 5/2011 Crocker
D685,327 S * 7/2013 Rayner H05K 5/0221
D13/133

9,704,462 B2 7/2017 Burmas
D847,122 S * 4/2019 Messadek D14/217
D857,662 S * 8/2019 Warsawski D14/218
D881,982 S * 4/2020 Zhang D17/20
D888,713 S * 6/2020 Tabata D14/358

(Continued)

FOREIGN PATENT DOCUMENTS

WO WO-2007084125 A1 * 7/2007 H01R 13/7031

OTHER PUBLICATIONS

Daddario, Date: Jun. 2006, [online], [site visited Mar. 30, 2022]. Available from internet, URL: https://www.thomann.de/gr/planet_waves_pw_agp_1.htm (Year: 2006).*

(Continued)

Primary Examiner — Shawn T Gingrich

Assistant Examiner — Bryan N. Melvin

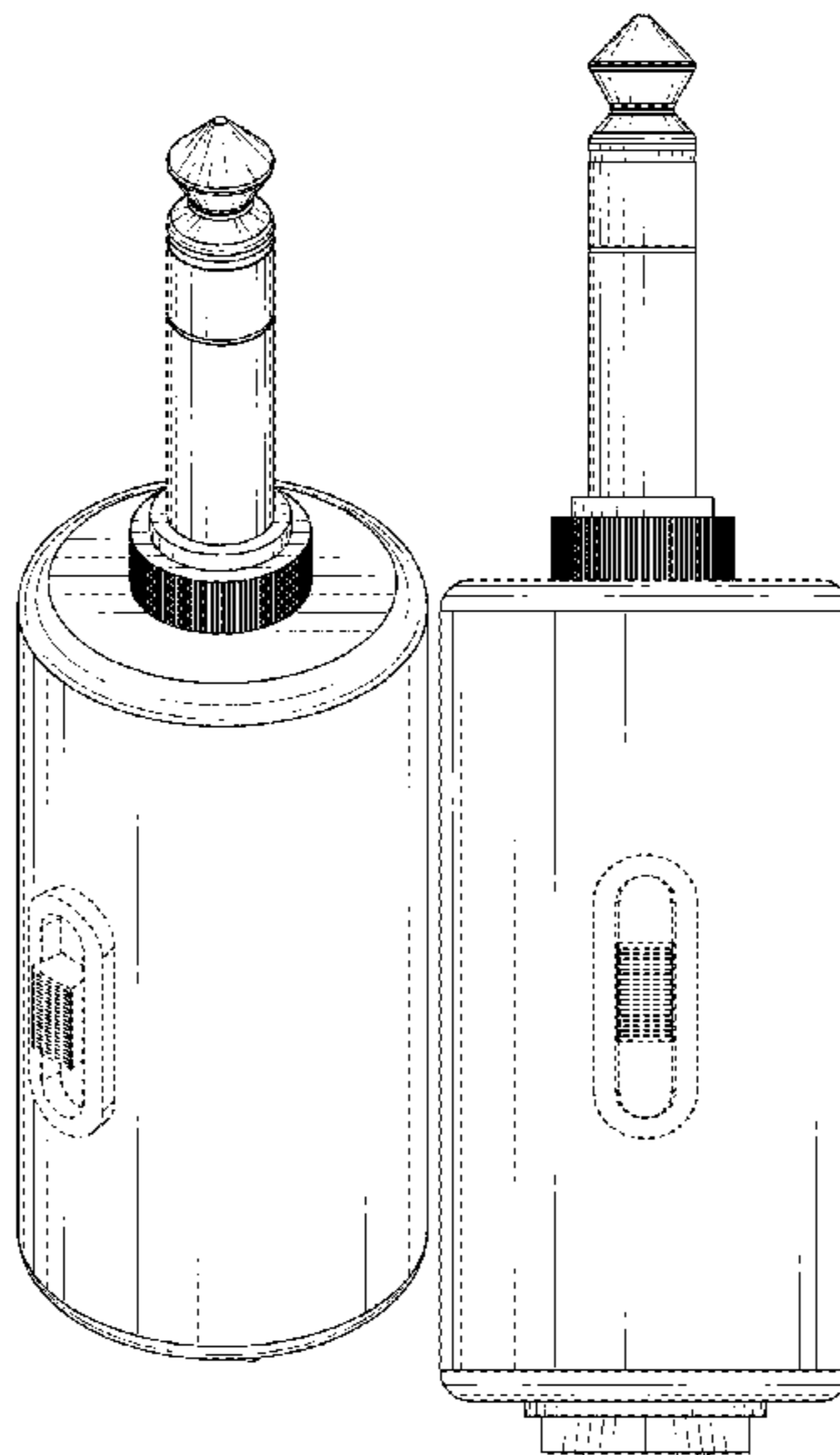
(57) **CLAIM**

The ornamental design for a mute switch for instrument cables, as shown and described.

DESCRIPTION

FIG. 1 is a top perspective view of a mute switch for instrument cables showing my new design; FIG. 2 is a front elevational view thereof; FIG. 3 is a right elevation view thereof; FIG. 4 is a top plan view thereof; and, FIG. 5 is a bottom plan view thereof. The left side elevational view is a mirror image of the right elevational view. The broken lines in the drawings illustrate portions of the mute switch for instrument cables that form no part of the claimed design.

1 Claim, 5 Drawing Sheets



(56)

References Cited

U.S. PATENT DOCUMENTS

2003/0016836 A1* 1/2003 Rashid H03G 3/345
381/94.5
2019/0066647 A1 2/2019 Manzo et al.

OTHER PUBLICATIONS

Neutrik, Date: Aug. 2008, [online], [site visited Mar. 30, 2022].
Available from internet, URL: https://www.thomann.de/gr/neutrik_np_2_x_au_silent.htm (Year: 2008).*

Stewmac, D'Addario Planet Waves Circuit Breaker Momentary Instrument Cable, <<https://www.stewmac.com/strings-and-accessories/instrument-accessories/instrument-cables/daddario-planet-waves-circuit-breaker-momentary-instrument-cable/>>.

Guitar Center, D'Addario Planet Waves American Stage Kill Switch Instrument Cable 10 ft. <<https://www.guitarcenter.com/DAddario-Planet-Waves/American-Stage-Kill-Switch-Instrument-Cable.gc#productDetail>>.

Guitar Center, JHS Pedals Mute Switch Pedal, <<https://www.guitarcenter.com/JHS-Pedals/Mute-Switch-Pedal.gc#productDetail>>.

* cited by examiner

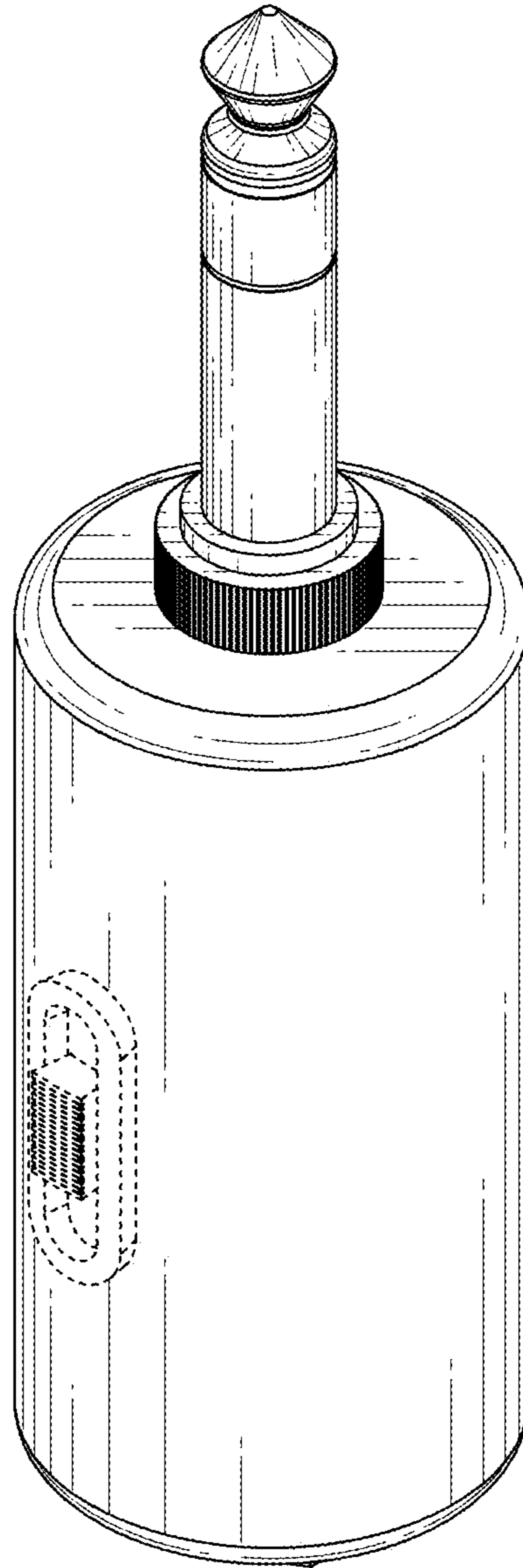


FIG.1

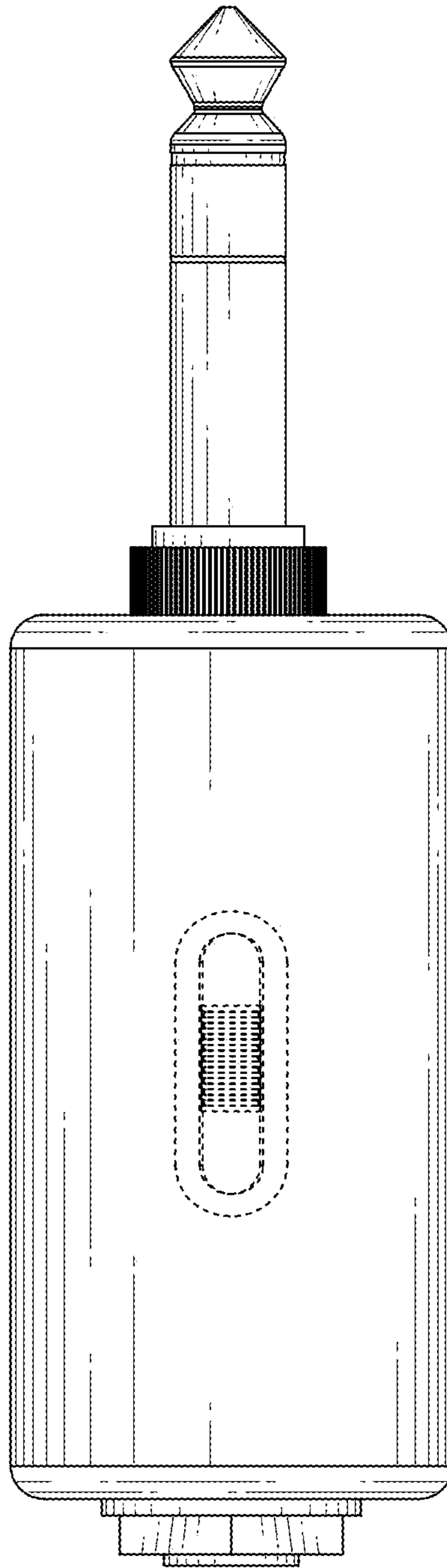


FIG.2

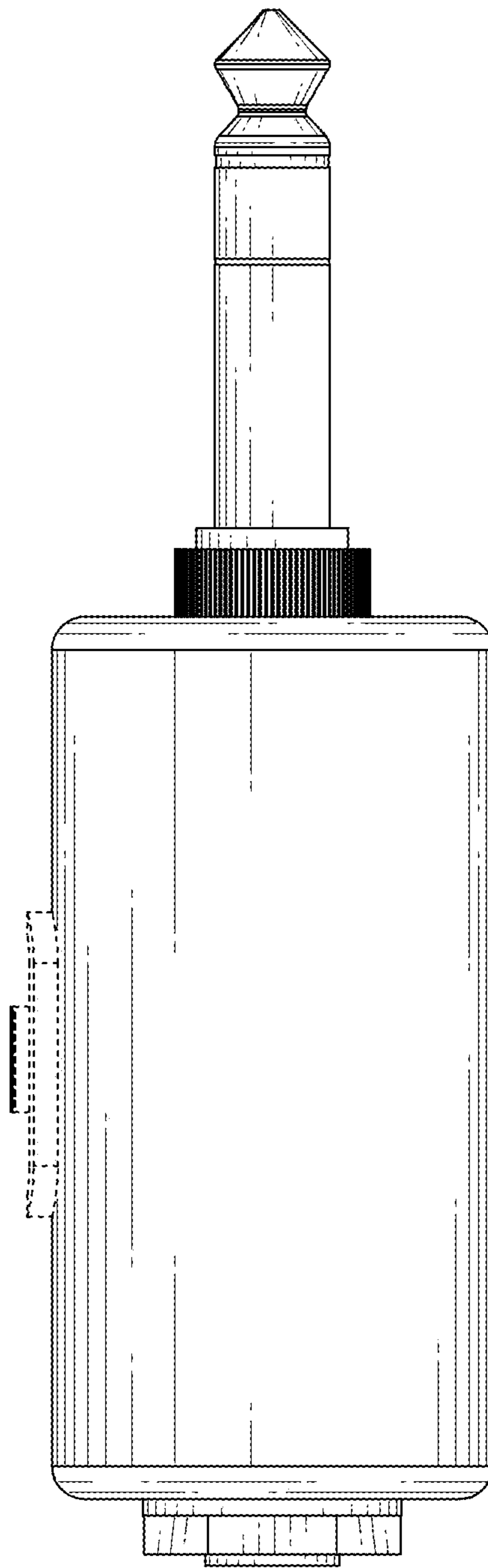


FIG.3

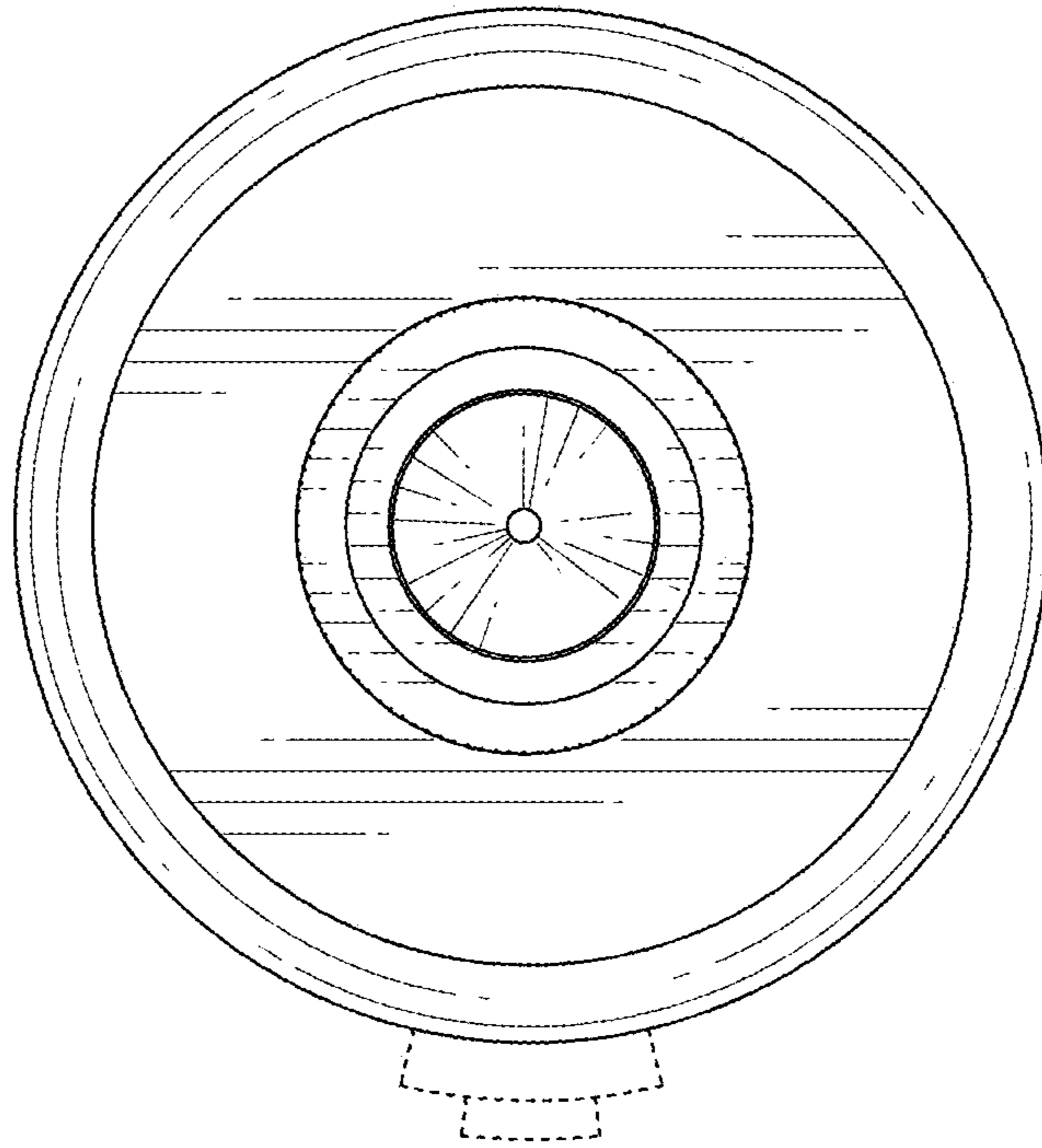


FIG.4

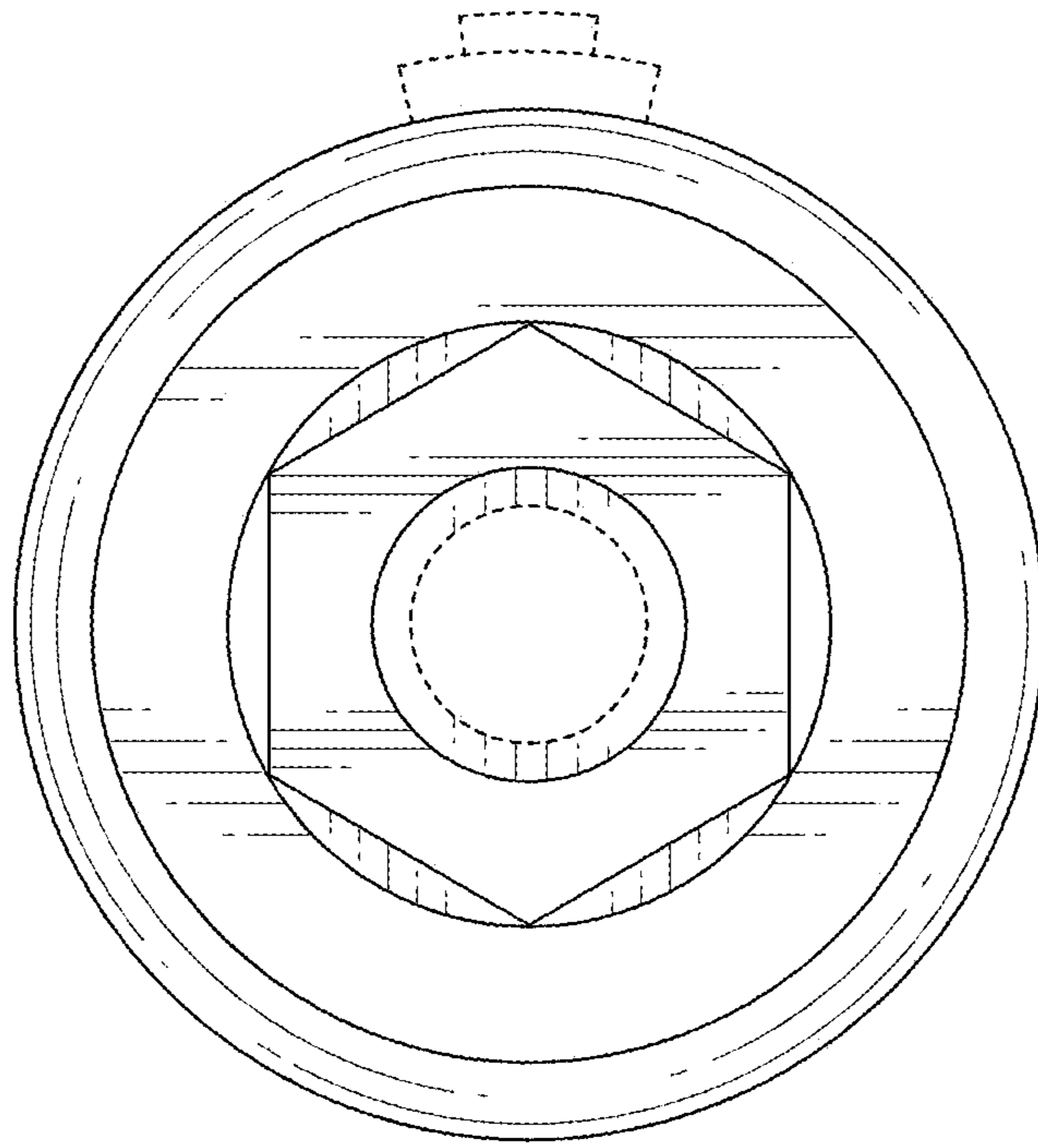


FIG.5