

US00D964282S

(12) **United States Design Patent**
Zheng

(10) **Patent No.:** **US D964,282 S**

(45) **Date of Patent:** **** Sep. 20, 2022**

(54) **BATTERY CASE**

(71) Applicant: **Xiuzhi Zheng**, Shangrao (CN)

(72) Inventor: **Xiuzhi Zheng**, Shangrao (CN)

(**) Term: **15 Years**

(21) Appl. No.: **29/802,070**

(22) Filed: **Aug. 3, 2021**

(51) **LOC (13) Cl.** **13-02**

(52) **U.S. Cl.**
USPC **D13/119**

(58) **Field of Classification Search**
USPC D13/102, 103, 110, 118-121, 184, 199;
D3/274, 302
CPC H01M 50/10; H01M 50/107; H01M 50/20;
H01M 50/557; H01M 50/209; H01M
50/213; H01M 50/502; H01M 50/103;
H01M 50/204

See application file for complete search history.

(56) **References Cited**

U.S. PATENT DOCUMENTS

D777,104 S *	1/2017	Liu	D13/119
D821,968 S *	7/2018	Zhao	D13/103
D825,464 S *	8/2018	Xie	D13/119
D825,465 S *	8/2018	Deng	D13/119
D861,606 S *	10/2019	Yang	D13/119
D871,339 S	12/2019	Yang		
D872,022 S	1/2020	Yang		
D875,668 S	2/2020	Jiao		
D881,812 S *	4/2020	Yang	D13/103
D883,196 S *	5/2020	Chen	D13/103
D885,326 S *	5/2020	Zhang	D13/103
D886,045 S *	6/2020	Deng	D13/103
D887,347 S *	6/2020	Wei	D13/103
D890,087 S *	7/2020	Xiao	D13/103

D896,179 S *	9/2020	Yang	D13/103
D906,967 S *	1/2021	Xiao	D13/168
D911,930 S *	3/2021	Xie	D13/103
D912,616 S *	3/2021	He	D13/103
D929,333 S *	8/2021	Benjakachorndech	D13/119
D942,394 S *	2/2022	Wang	D13/119
D942,948 S *	2/2022	Song	D13/119
D949,105 S *	4/2022	Shen	D13/119
2022/0140425 A1 *	5/2022	Lee et al.	H01M 50/186 429/185

FOREIGN PATENT DOCUMENTS

CN 306494800 * 4/2021

* cited by examiner

Primary Examiner — Rosemary K Tarcza

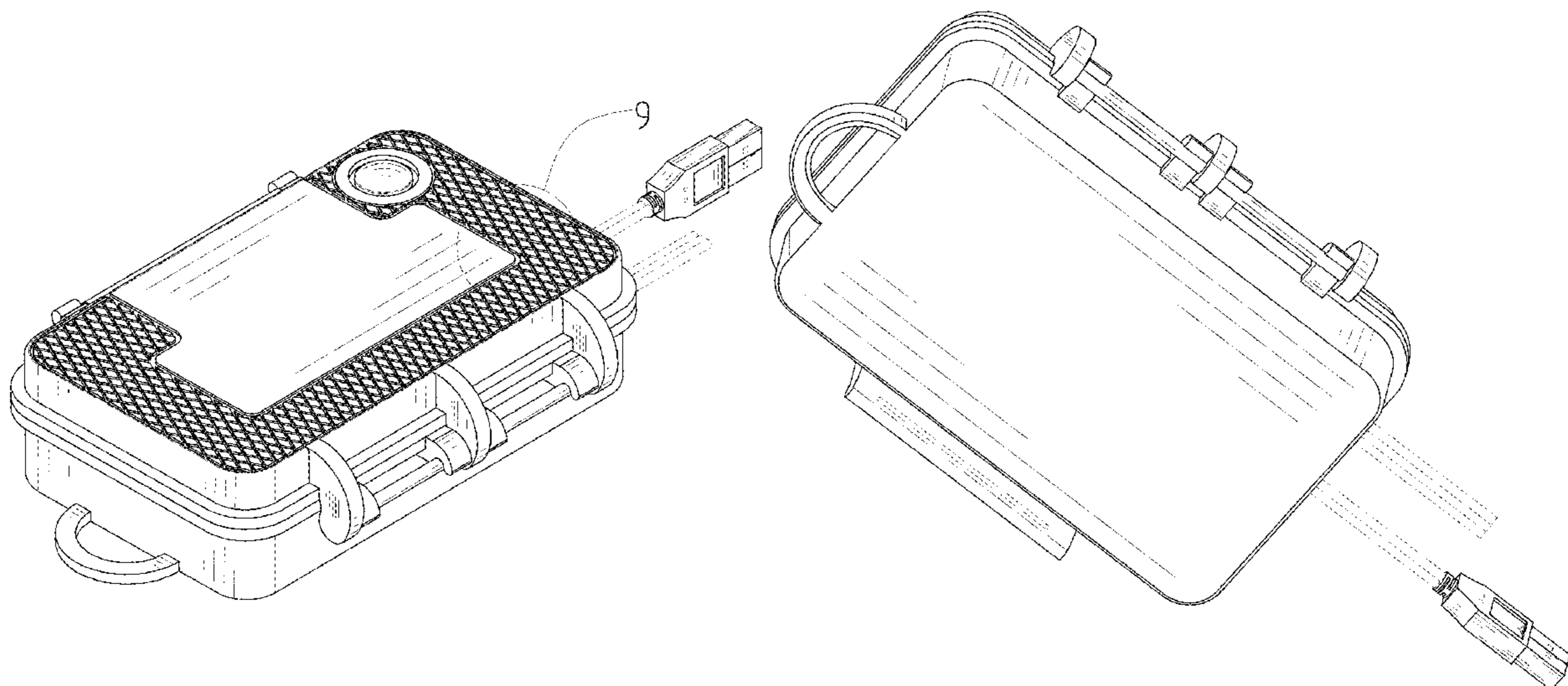
(57) **CLAIM**

The ornamental design for a battery case, as shown and described.

DESCRIPTION

FIG. 1 is a first perspective view of a battery case showing my new design;
FIG. 2 is a second perspective view thereof;
FIG. 3 is a front view thereof;
FIG. 4 is a back view thereof;
FIG. 5 is a left side view thereof;
FIG. 6 is a right side view thereof;
FIG. 7 is a top view thereof;
FIG. 8 is a bottom view thereof; and,
FIG. 9 is an enlarged view of the selected portion in FIG. 1.
The broken lines shown in the drawings depict portions of the battery case in which the design is embodied that form no part of the claimed design.

1 Claim, 9 Drawing Sheets



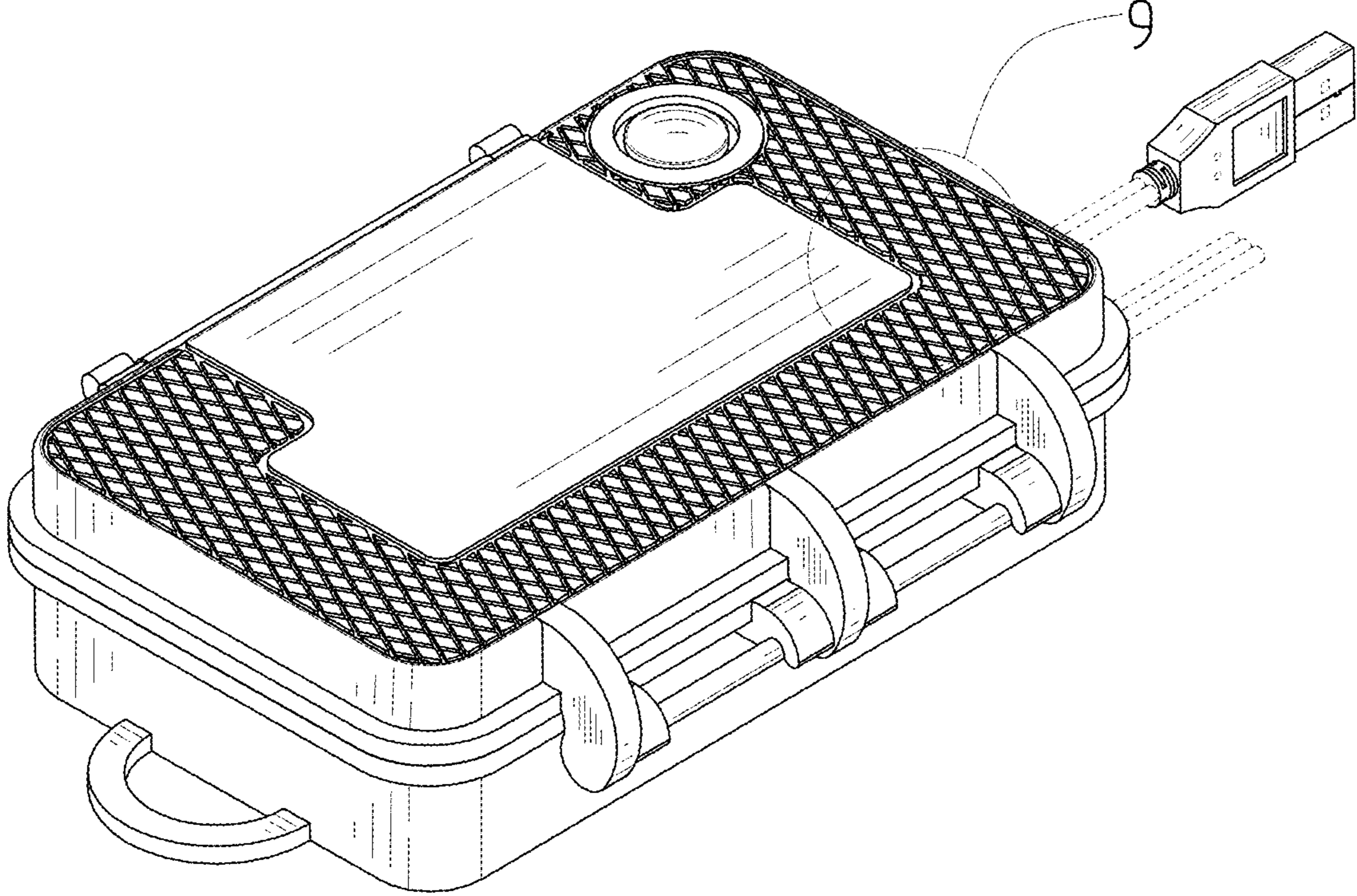


FIG. 1

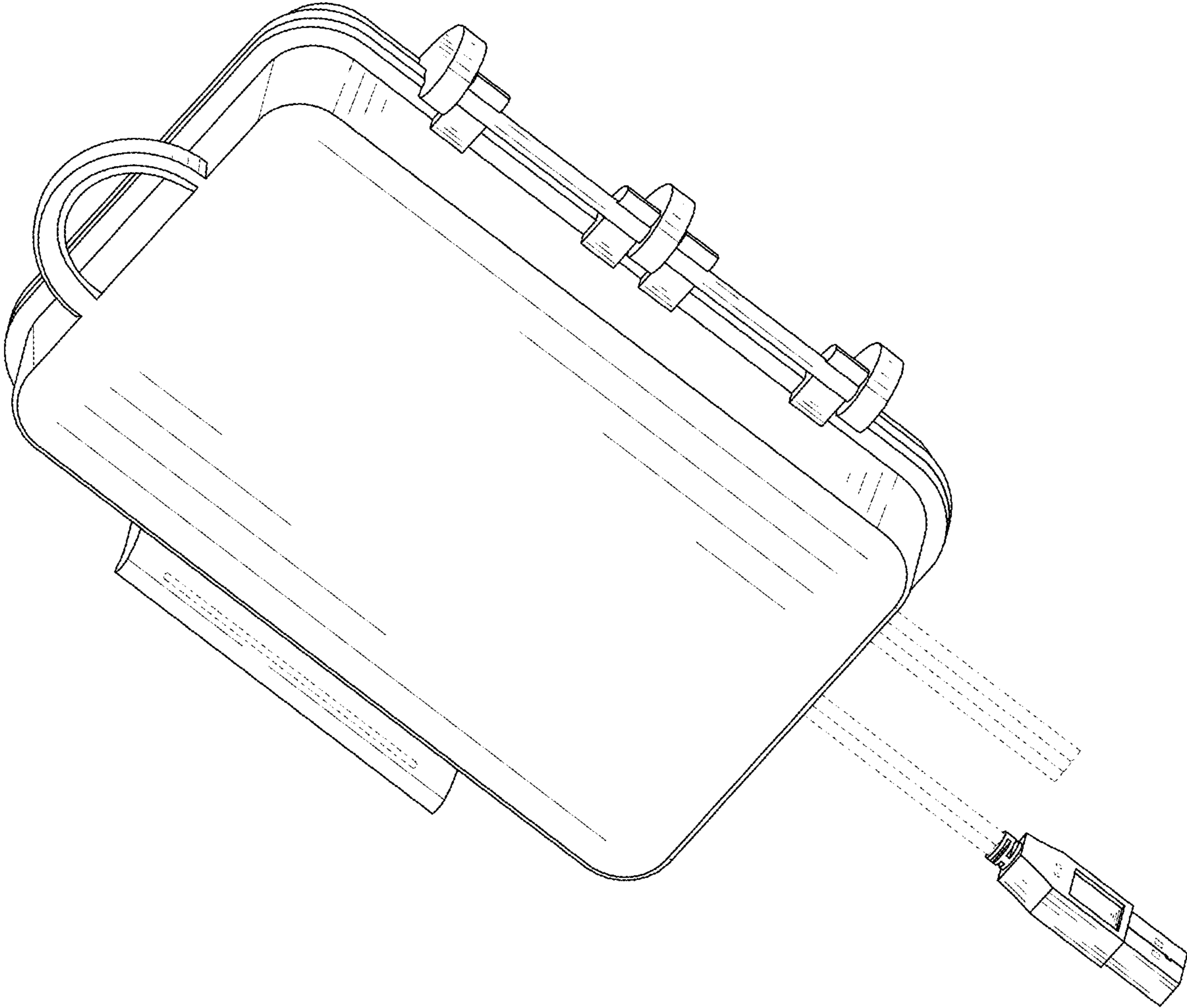


FIG. 2

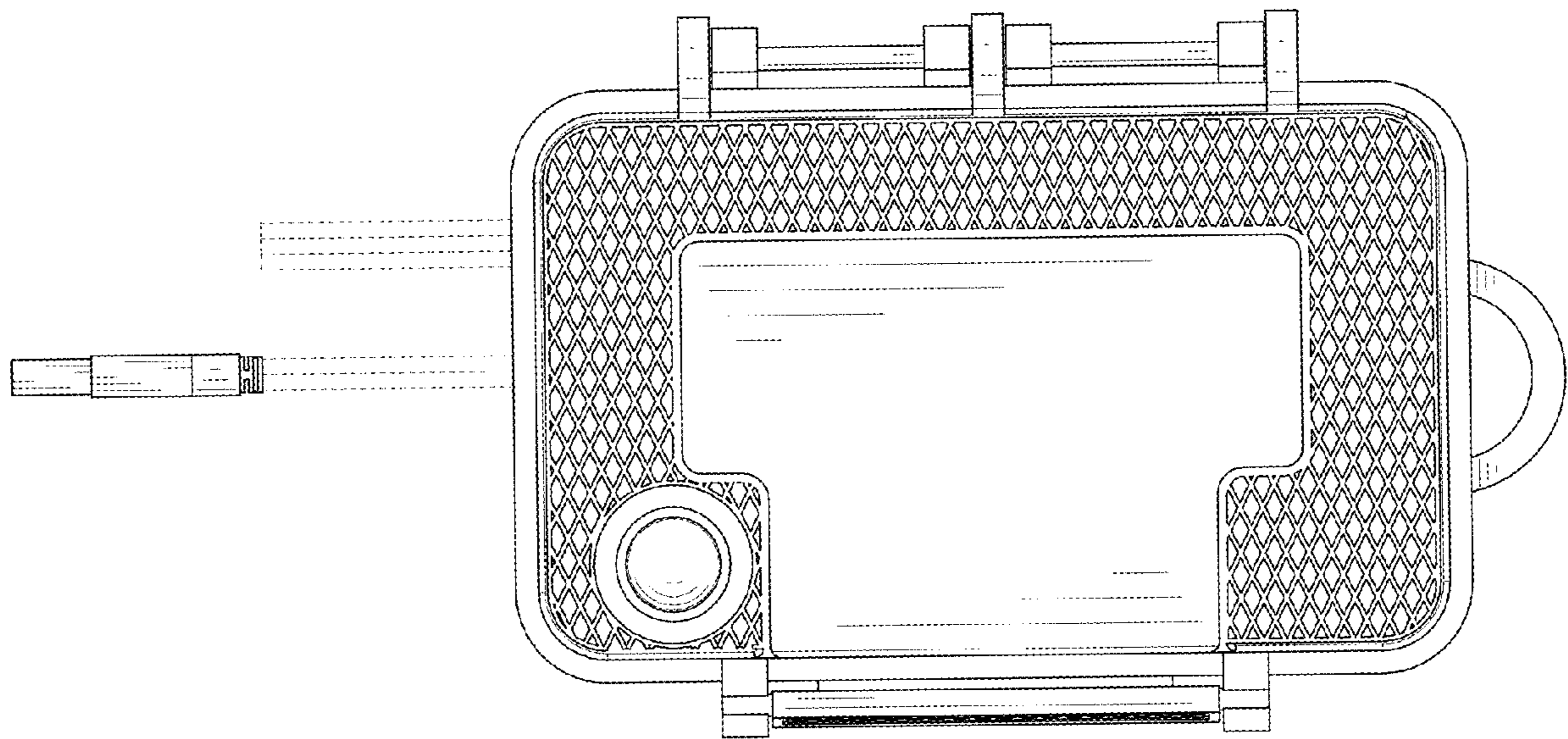


FIG. 3

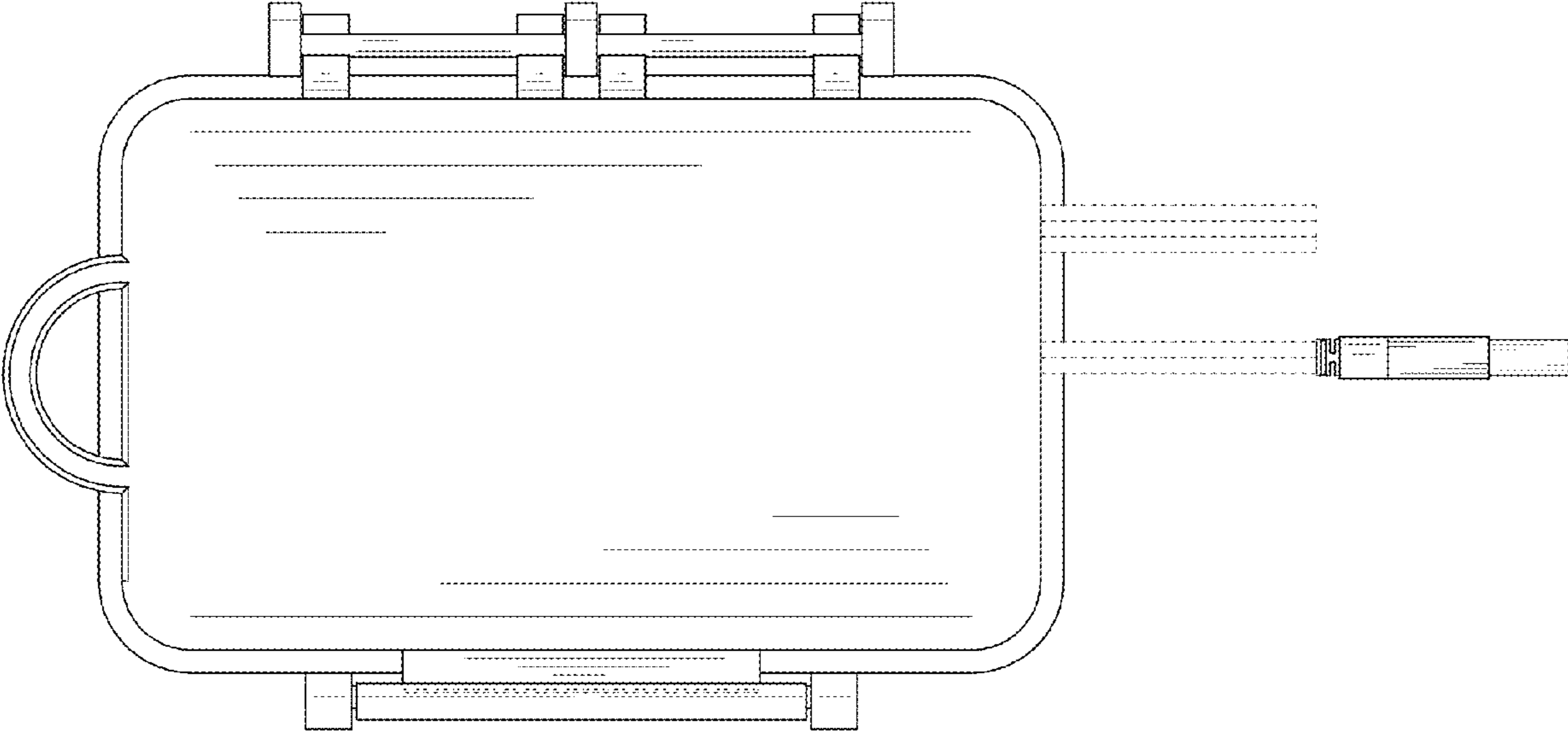


FIG. 4

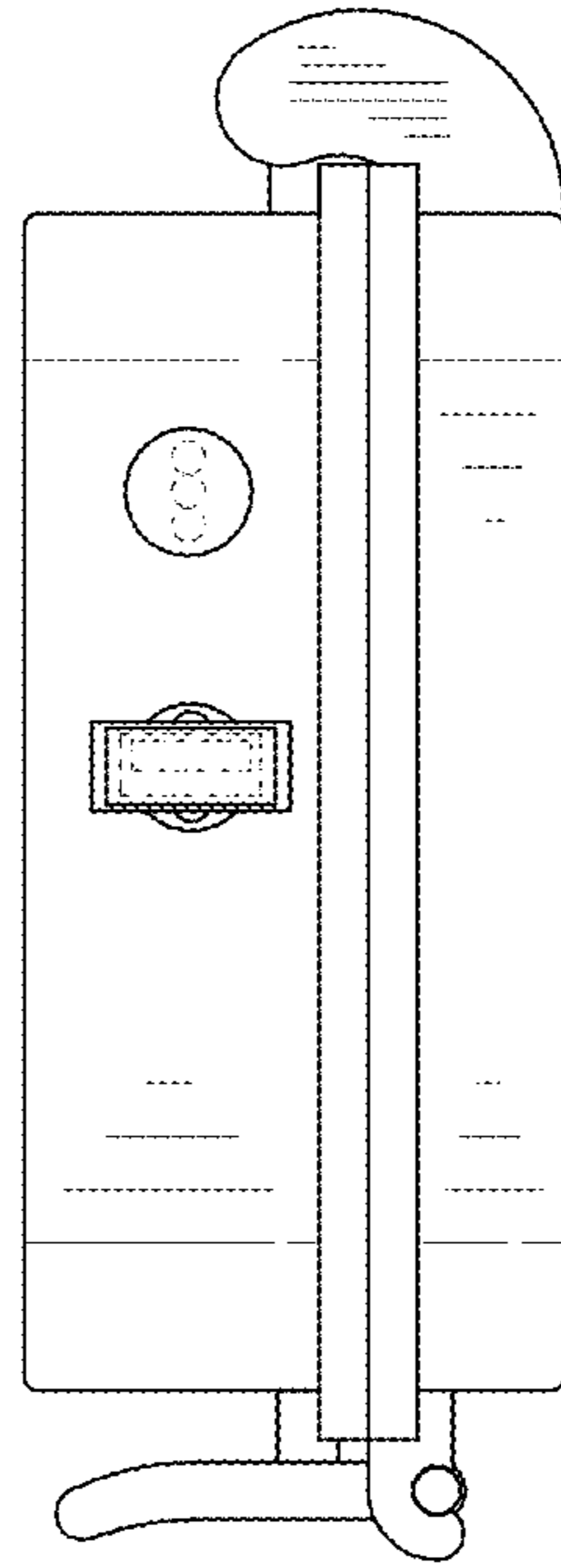


FIG. 5

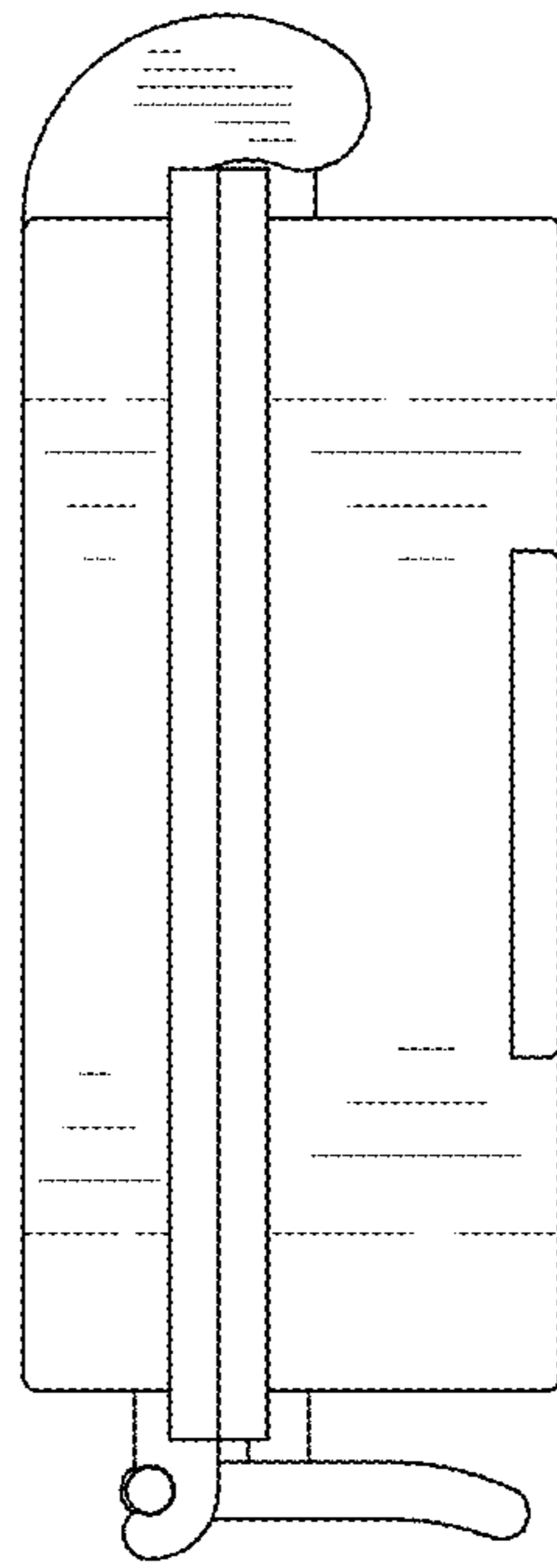


FIG. 6

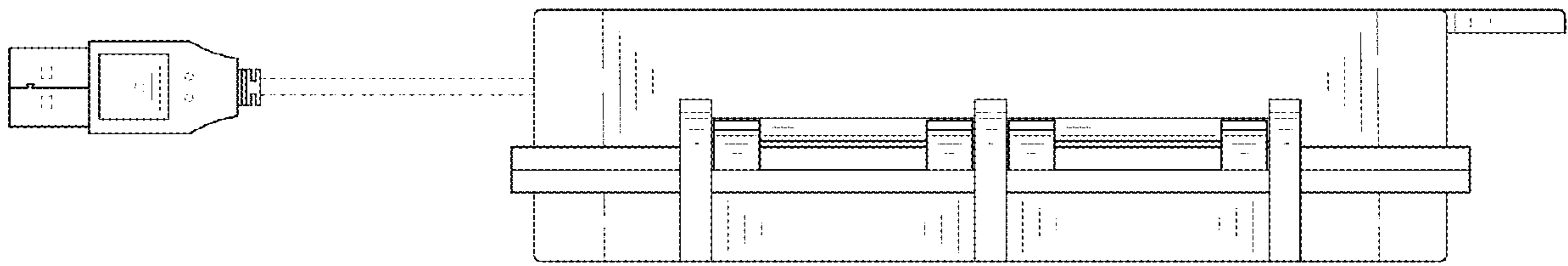


FIG. 7

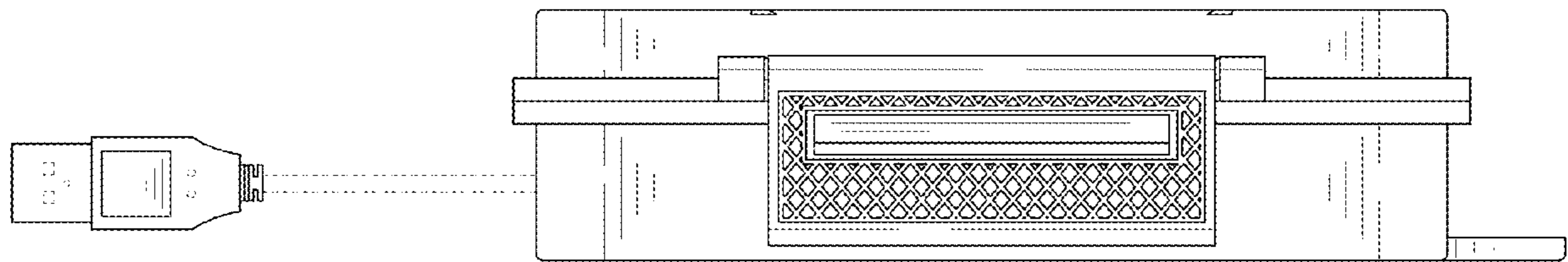


FIG. 8

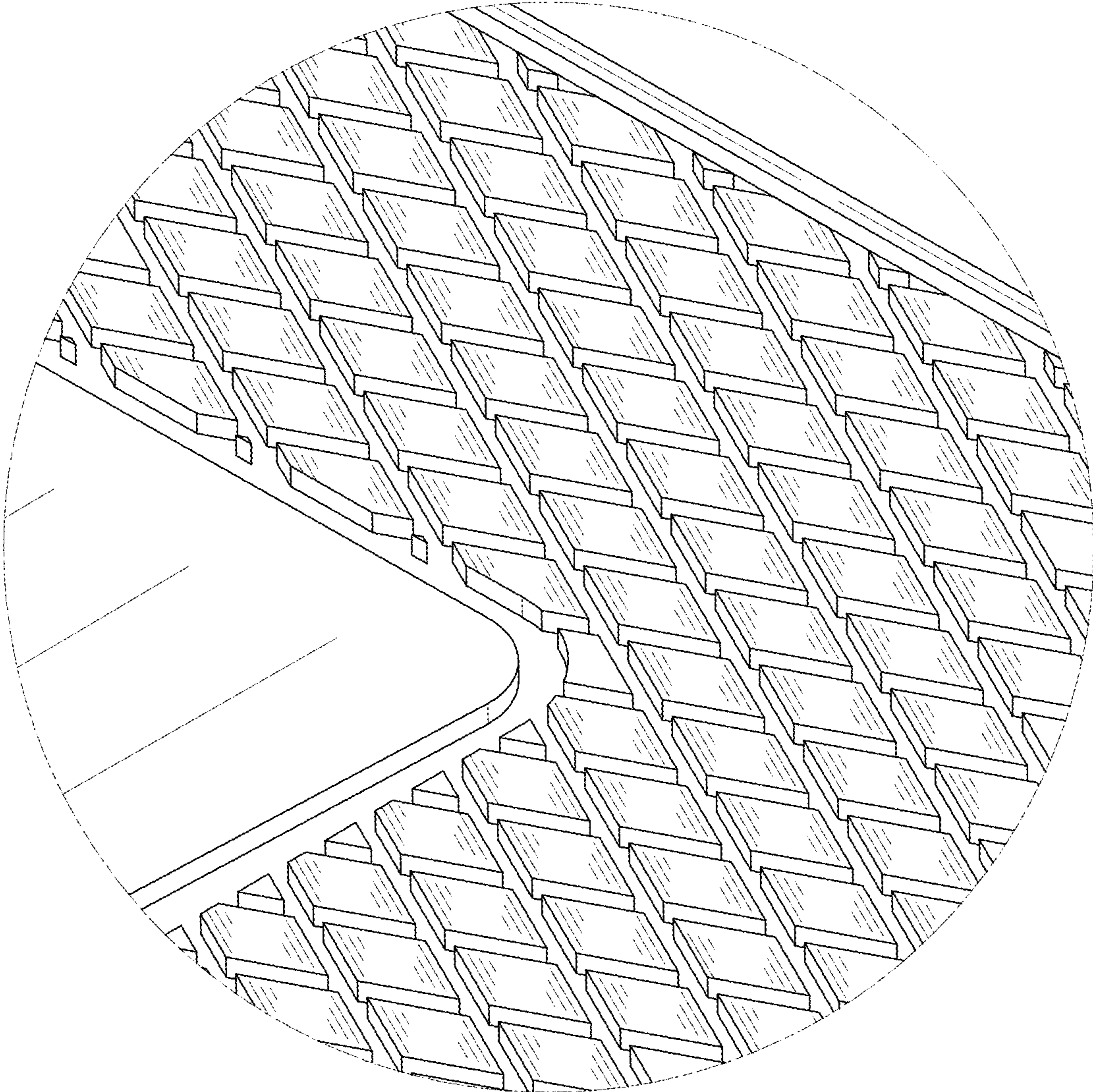


FIG. 9